

REV 5

SECTION OW – OPERATOR WORKSPACE

MFO OCTANE OW WITH SW 2207030-9 REV 001

Item	Part Number	FRU	Name	Quantity	Description (Remarks)
1	2189500-3	N	ASSEMBLY	1	LX3 SYS COMP ASM W/ 1/100 BASE-T HU
2	2283543-2	1	MFO SOFTWARE	1	P9422BA MFO SOFTWARE
3	46-269568P1	N	SOFTWARE	1	INFORMIX SOFTWARE-DATA BASE MANAGER
5	2186360	N	INSTRUCTIONS	1	OW CABINET UNLOADING INSTRUCTIONS
6	46-302200P11	N	RATING PLATE	2	MODEL NUMBER ONLY, NO SERIAL NUMBER
7	2198999-4	N	ASSEMBLY	1	ENCORE LX3 OCTANE R12K COMP 270MHZ
8	2240540	N	NETSCAPE LICENSE	1	NETSCAPE LICENSE
9	2249665	N	S/W LICENSE	1	CASTENET S/W LICENSE PACKAGE

P9422BA MFO SOFTWARE 2283543-2 REV 000

Item	Part Number	FRU	Name	Quantity	Description (Remarks)
2	2256092-3	1	IRIX 6.5 OS	1	SIGNA HORIZON LX IRIX 6.5 OS / INDIGO 2 AND OCTANE CD-ROMS
3	2214164	2	MOD	1	5.25" 2.3GB 512 BYTES/SECTOR MOD
4	2299158	1	APP S/W	1	P9422BC APP S/W FOR MFO 8.3.4 M4

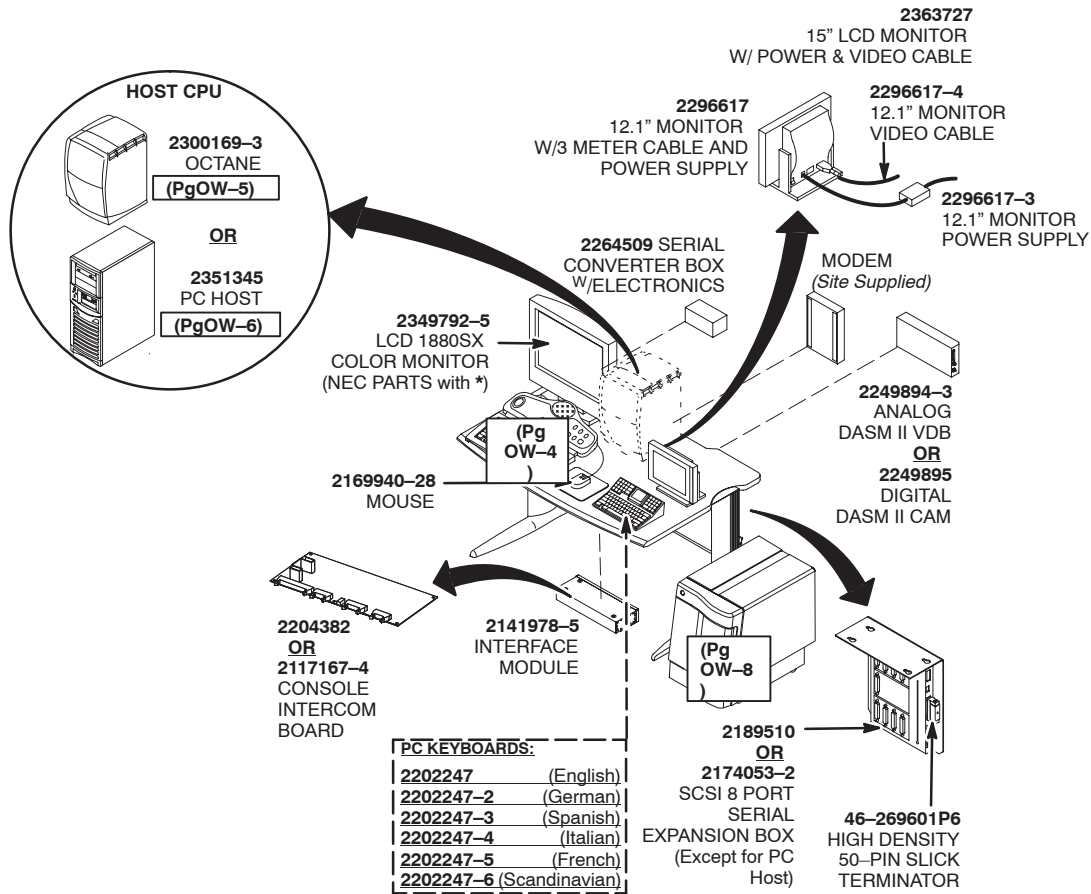
MFO OCTANE2 OW WITH SW2207030-17 REV 000

Item	Part Number	FRU	Name	Quantity	Description (Remarks)
1	2189500-3	N	ASSEMBLY	1	LX3 SYS COMP ASM W/ 1/100 BASE-T HU
2	2283543-3	1	MFO2 SOFTWARE	1	P9422BF MFO2 M3 S/W
3	46-269568P1	N	SOFTWARE	1	INFORMIX SOFTWARE-DATA BASE MANAGER
5	2186360	N	INSTRUCTIONS	1	OW CABINET UNLOADING INSTRUCTIONS
6	46-302200P11	N	RATING PLATE	2	MODEL NUMBER ONLY, NO SERIAL NUMBER
7A	2198999-5	N	ASSEMBLY	1	LX3 OCTANE2 V10 R12KS COMP 360MHZ
7B	2198999-4	N	ASSEMBLY	ALT	ENCORE LX3 OCTANE R12K COMP 270MHZ
8	2240540	N	NETSCAPE LICENSE	1	NETSCAPE LICENSE
9	2249665	N	S/W LICENSE	1	CASTENET S/W LICENSE PACKAGE

P9422BK MFO II M4 S/W 2283543-4 REV 001

Item	Part Number	FRU	Name	Quantity	Description (Remarks)
2	2256092-5	1	CDROM	1	SIGNA HORIZON LX IRIX OS OCTANE CDS
3	2283323-3	1	CDROM	1	SIGNA HORIZON LX IRIX BOOT OCTANE / CD-ROM
4	2214164	2	MOD	1	5.25" 2.3GB 512 BYTES/SECTOR MOD
5	2323302-3	1	CDROM	1	SIGNA HORIZON LX IRIX VCR/PRINTER OPTIONS
6	2347732	1	CDROM	1	P9422BM APP S/W FOR MFO II M4
	2349695	1	CDROM	1	P9422PC MFO2 M4 PATCH MR0008

APPENDIX- OPENSPEED FIELD REPLACEABLE UNITS (OW RELATED PARTS ONLY)



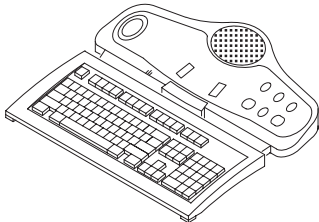
NOTE: The following parts are **not shown**.

2174053-3	SPARE SERIAL EXPANDER POWER SUPPLY
2156158-21	HFO/i S/W COLLECTOR 8.3.1 M4
2256092-3	SIGNA HORIZON LX IRIX 6.5 OS
2274462	8.3 M5 PATCH CD-ROM
2160200-5	CPD MODULE
*2350137	POWER CABLE
*2275928	VIDEO CABLE

OPERATOR WORKSPACE

APPENDIX–OPENSPEED FIELD REPLACEABLE UNITS (continued)

LATEST VERSIONS:



KEYBOARDS ONLY:

2275756 (English)
 *2275756-2 (French)
 *2275756-3 (German)
 *2275756-4 (Scandinavian)
 *2275756-5 (Italian)
 *2275756-6 (Portuguese)
 *2275756-7 (Spanish)

SCIM W/KEYBOARD & CABLE:

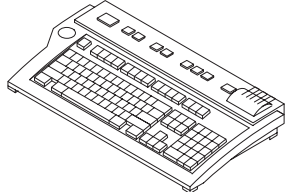
2307175 (English)
 *2307175-2 (French)
 *2307175-3 (German)
 *2307175-4 (Italian)
 *2307175-5 (Portuguese)
 *2307175-6 (Scandinavian)
 *2307175-7 (Spanish)

*** NOTE:**
 These types of Keyboard/SCIM Assemblies were not available at the time this book was released, see below for earlier types.

NOTE: The following parts are not shown.

2262158-9	CABLE, 50 PIN SCIM KEYBOARD
2289697-2	SCIM W/ENGLISH OVERLAY
2289697-8	MR SCIM GLOBAL OVERLAY SET

EARLY VERSIONS:



KEYBOARDS ONLY:

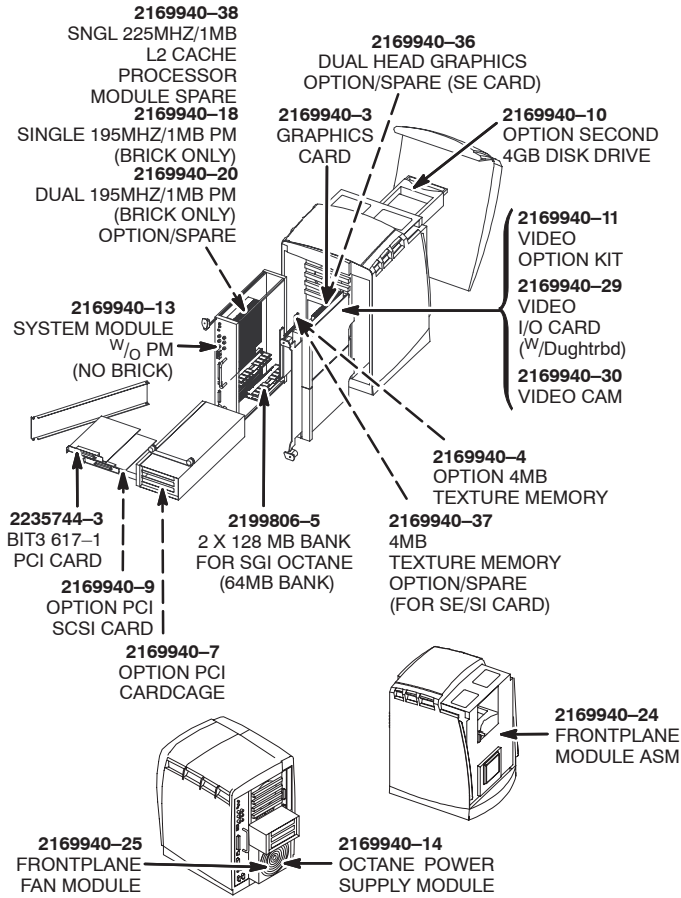
2114561-19 (English)
 2114561-28 (French)
 2114561-31 (German)
 2114561-34 (Scandinavian)
 2114561-43 (Italian)
 2114561-44 (Portuguese)
 2114561-45 (Spanish)

NOTE: The following part is not shown.

2114561-46	CABLE, LX SCSI LONG CABLE
------------	---------------------------

WORKSPACE SCIM AND KEYBOARDS

APPENDIX-OPENSPEED FIELD REPLACEABLE UNITS (continued)

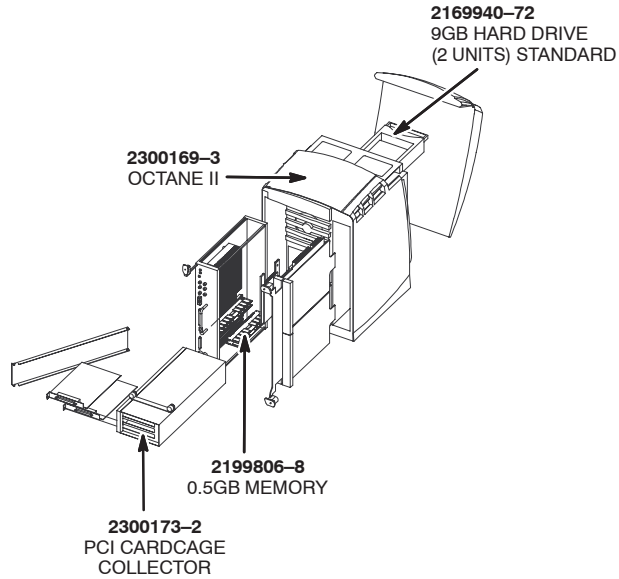


NOTE: The following parts are not shown.

2169940-12	9GB DISK DRIVE OPTION/SPARE
2169940-32	SPARE LIGHTBAR ASSEMBLY
2169940-33	SGI MICROPHONE
2295019	CABLE, VGA (MONITOR) to 13W3-DB15 RGB LCD STRAIGHT CONNECTOR (OCTANE or INDIGO 2)
2306872	LCD MONITOR

OCTANE HOST COMPUTER

APPENDIX-OPENSPEED FIELD REPLACEABLE UNITS (continued)

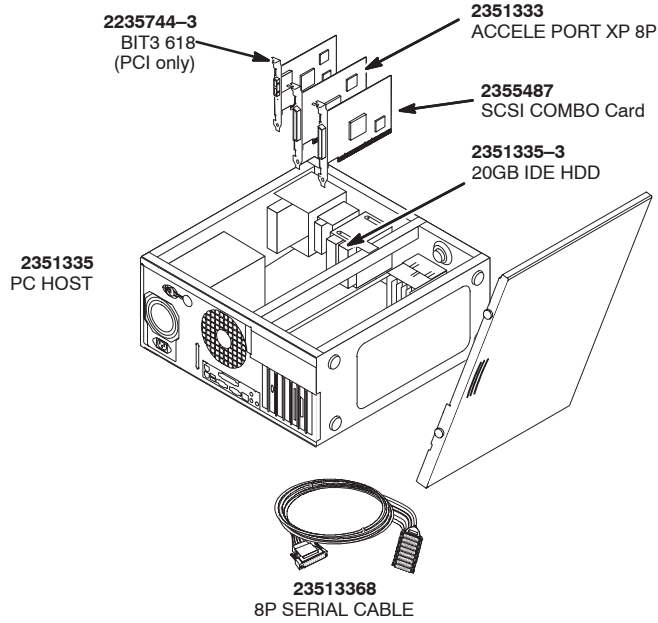


NOTE: The following parts are **not shown**.

<u>2169940-32</u>	<u>SPARE LIGHTBAR ASSEMBLY</u>
<u>2169940-33</u>	<u>SGI MICROPHONE</u>
<u>2295019</u>	<u>CABLE, VGA (MONITOR) to 13W3 (OCTANE or INDIGO2)</u>
<u>2306872</u>	<u>LCD MONITOR</u>

OCTANE II HOST COMPUTER

APPENDIX-OPENSPEED FIELD REPLACEABLE UNITS (continued)

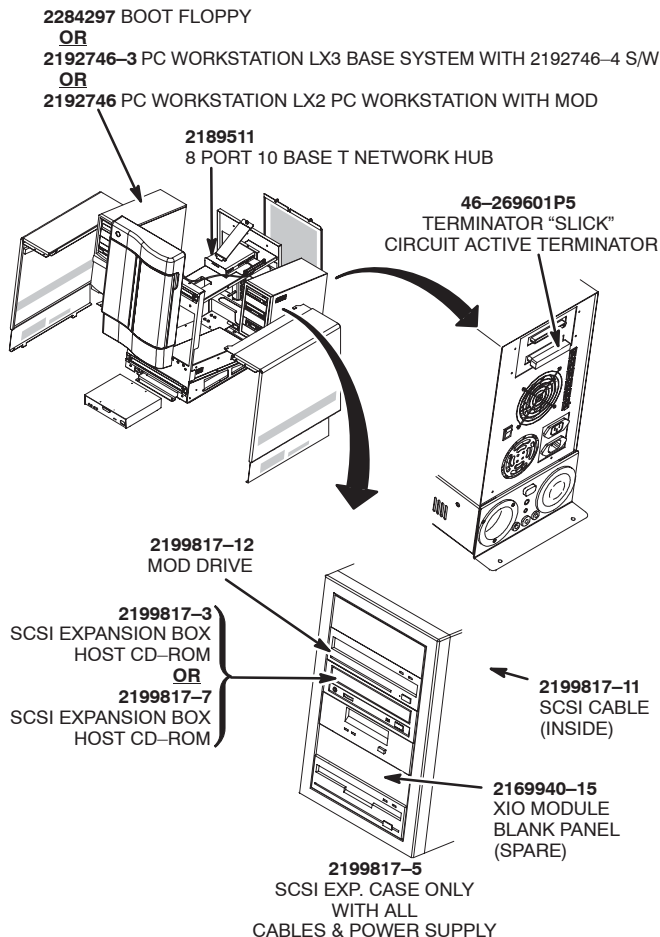


NOTE: The following parts are not shown.

Part Number	Part Name	QTY	Note
2355486	VHDCI SCSI CABLE	1	
2354418	DSUB9 COVER	1	
2356616	DVI/VGA CABLE	1	
2195827	JUMPER PLUG	5	Used in the MOD.
46-269601P5	ACTIVE TERMINATOR	1	
2350137	POWER CABLE	1	
2351335-6	IDE CABLE	0	
2351335-7	E-DIAG CD	0	

PC HOST COMPUTER

APPENDIX-OPENSPEED FIELD REPLACEABLE UNITS (continued)



NOTE: The following parts are **not shown**.

2169940-21	XIO CONNECTOR PROTECTIVE CAP
2169940-32	LIGHTBAR MODULE ASM
2169940-33	SGI MICROPHONE

OPERATOR WORKSPACE CABINET

New FRUs since Jan 2002 that should be added in OPENSPEED FIELD REPLACEABLE UNITS

Item	Part Number	FRU	Name	Quantity	Description (Remarks)
	2199817-15	1	MO DRIVE	1	SONY MOD 5.25 INCH
	2334581	1	KIT	1	MOD SERVICE KIT
	2338301	1	HARD DISK	1	18GB HARD DRIVE FRU BOM

REV 5

Revision History

Rev	Date	Author	Primary reasons for change
0	May 23, 2001	M.Ikeda	Initial release
1	Jan. 31, 2002	M.Ikeda	Added renewal parts for MFO2 and appendix
2	Jul. 4, 2002	M.Ikeda	Added renewal parts for MFO2 M4 Software, etc.
3	Sep. 27, 2002	H. Hiwatashi	Added renewal parts for MFO3 M3
4	Nov. 27, 2002	H. Hiwatashi	Added renewal parts for MFO3 M4
5	May 22, 2003	H. Hiwatashi	General updates.