

MAGNET COVER INSTALLATION

VOLUME 2

TABLE OF CONTENTS

Table of Contents..... 1

1.Preparation..... 2

2.Rear Upper Cover 3

3.Rear Lower Cover 4

4.Floor Cover 5

5.Ceiling Cover 7

6.P-Light Cover 8

7.PCM Cover 9

8.Top Cover 10

9.QHB / Blind Cover 11

10.Corner Cover..... 12

11.Rail Cover/Caps 13

12.Cover Clearance Adjustment 14



FERROUS MATERIAL HAZARD! THE CRIMP TOOL, AND OTHER TOOLS AND PARTS REQUIRED FOR THIS INSTALLATION CONTAIN FERROUS MATERIAL AND WILL BE STRONGLY ATTRACTED TO MAGNET AND MAY BECOME DANGEROUS PROJECTILES. IF MAGNET IS AT FULL FIELD – KEEP ALL FERROUS TOOLS AT LEAST 10 FEET AWAY FROM THE MAGNET.

Rev 3

1. Preparation**Required Tool:**

Items	Qty	Type/Parts Number	Part
Metric Allen Wrench Set	1	Non ferrous	

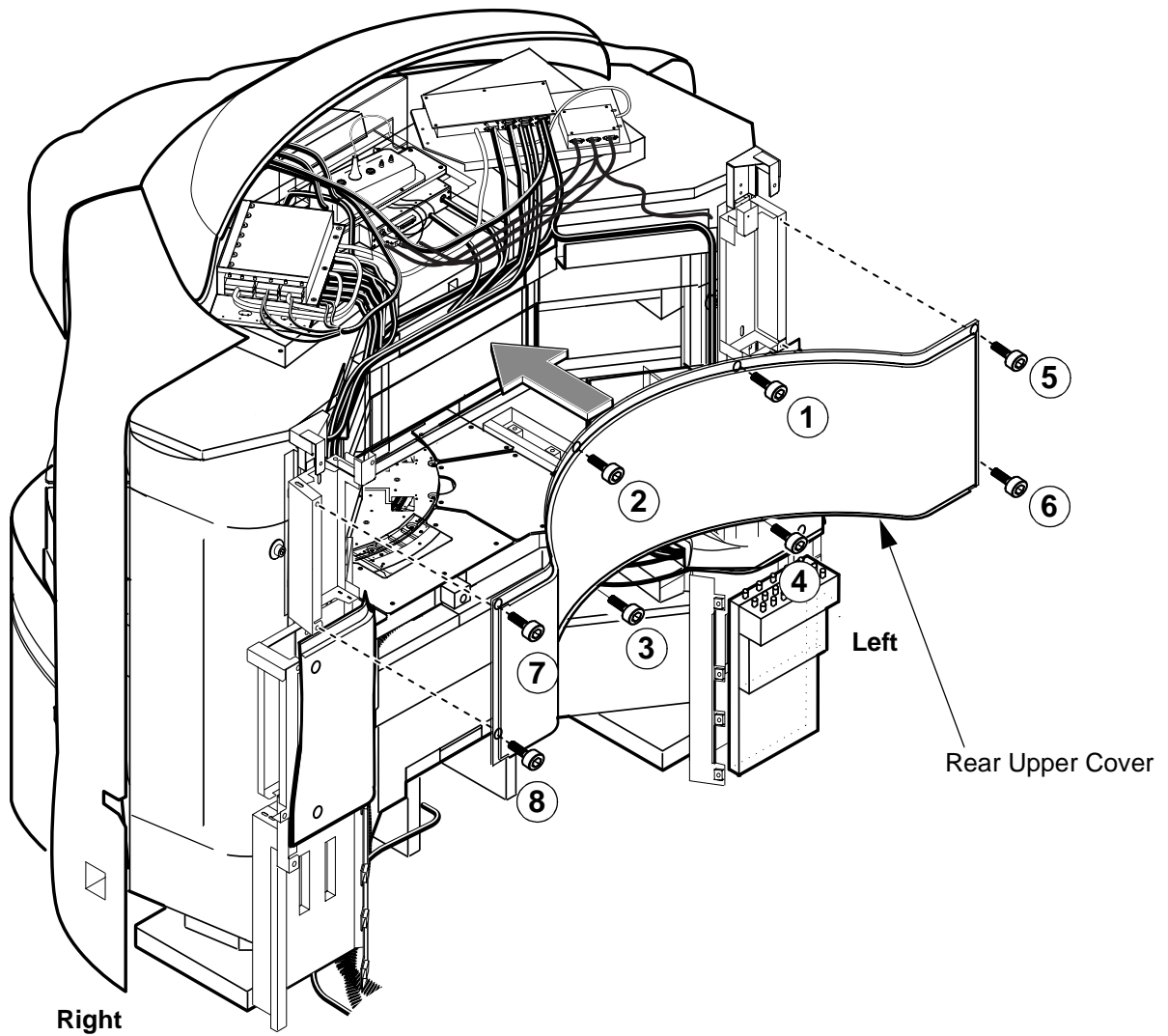
Rev 3

2. Rear Upper Cover

1. Check that the all connection and routing of cables and units are normal.
2. Install Rear Upper Cover to the Rear side of the magnet with 8 screws(U0438AA).

NOTE1:The number is tightening order of screw.

NOTE2:Install cover so that a clearance between covers becomes level.
Refer to Cover Clearance Adjustment of page 14.

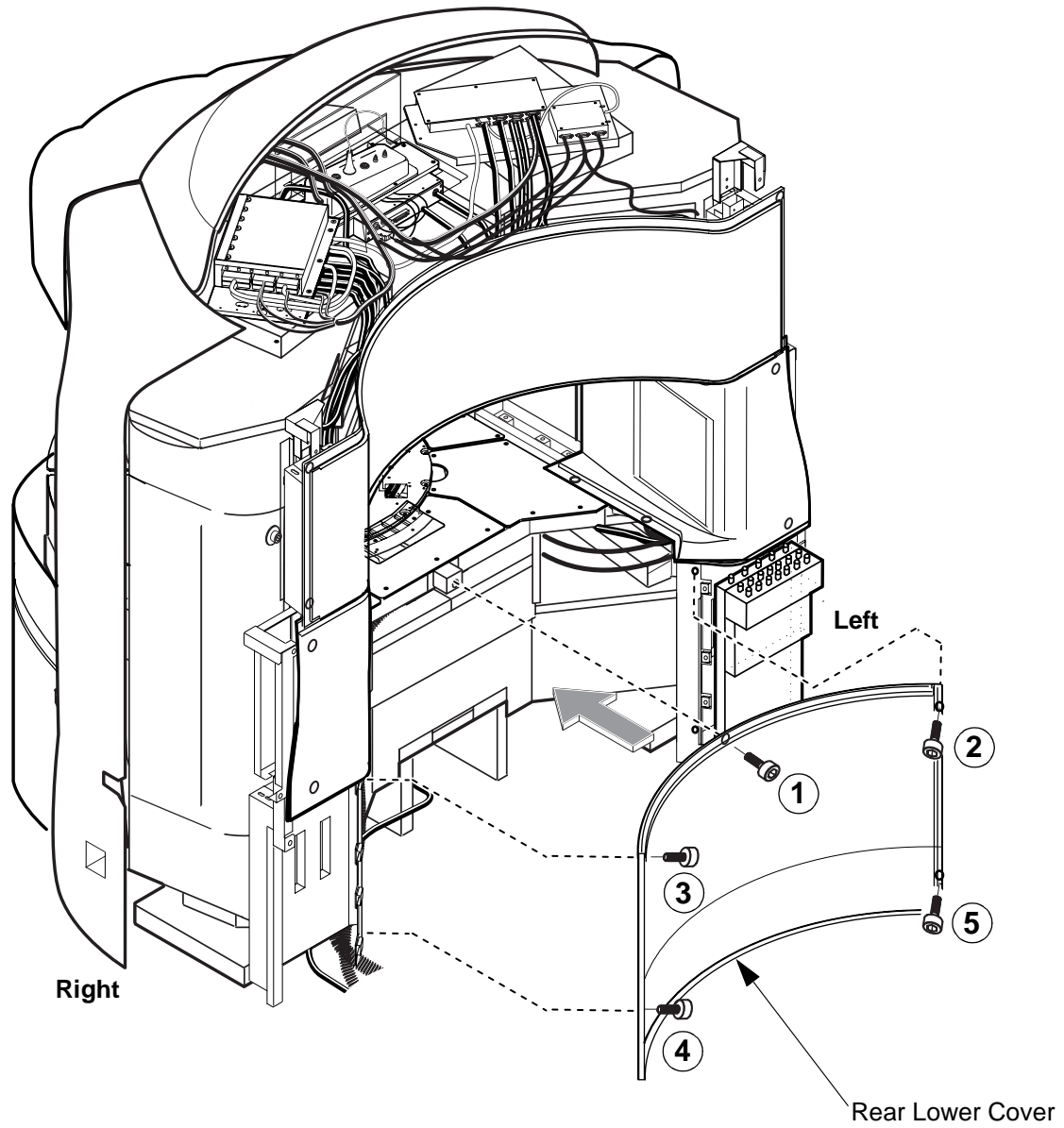


**REAR UPPER COVER INSTALLATION
ILLUSTRATION 1**

Rev 3

3. Rear Lower Cover

1. Install Rear Lower Cover to the Rear side of the magnet with 5 screws(U0438AA).



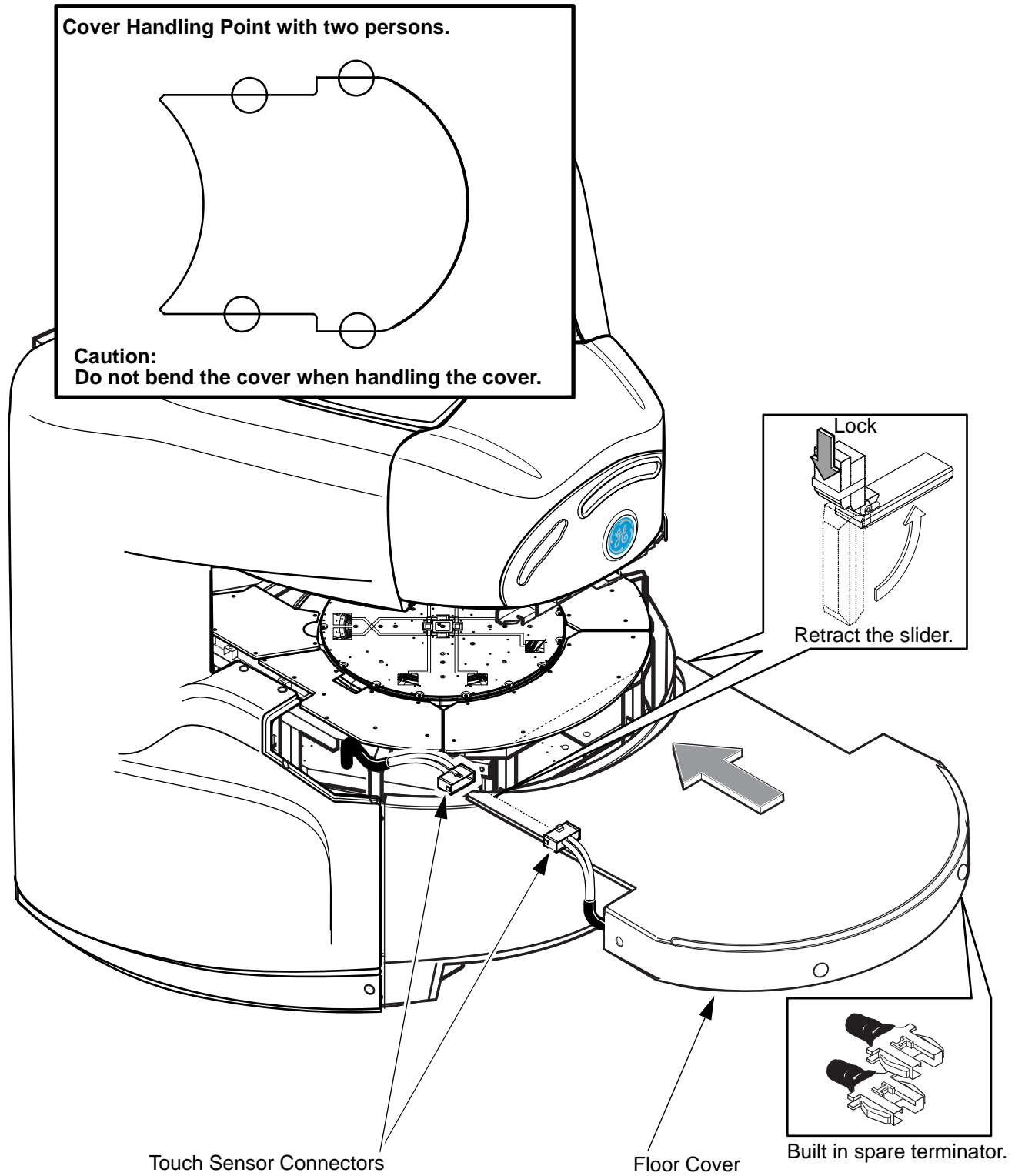
NOTE: The number is tightening order of screw.

**REAR LOWER COVER INSTALLATION
ILLUSTRATION 2**

Rev 3

4. Floor Cover

1. Retract and lock two slider of floor cover rear end.
2. Put the Floor Cover onto the lower coil with two person, and then connect the cables of touch sensor.



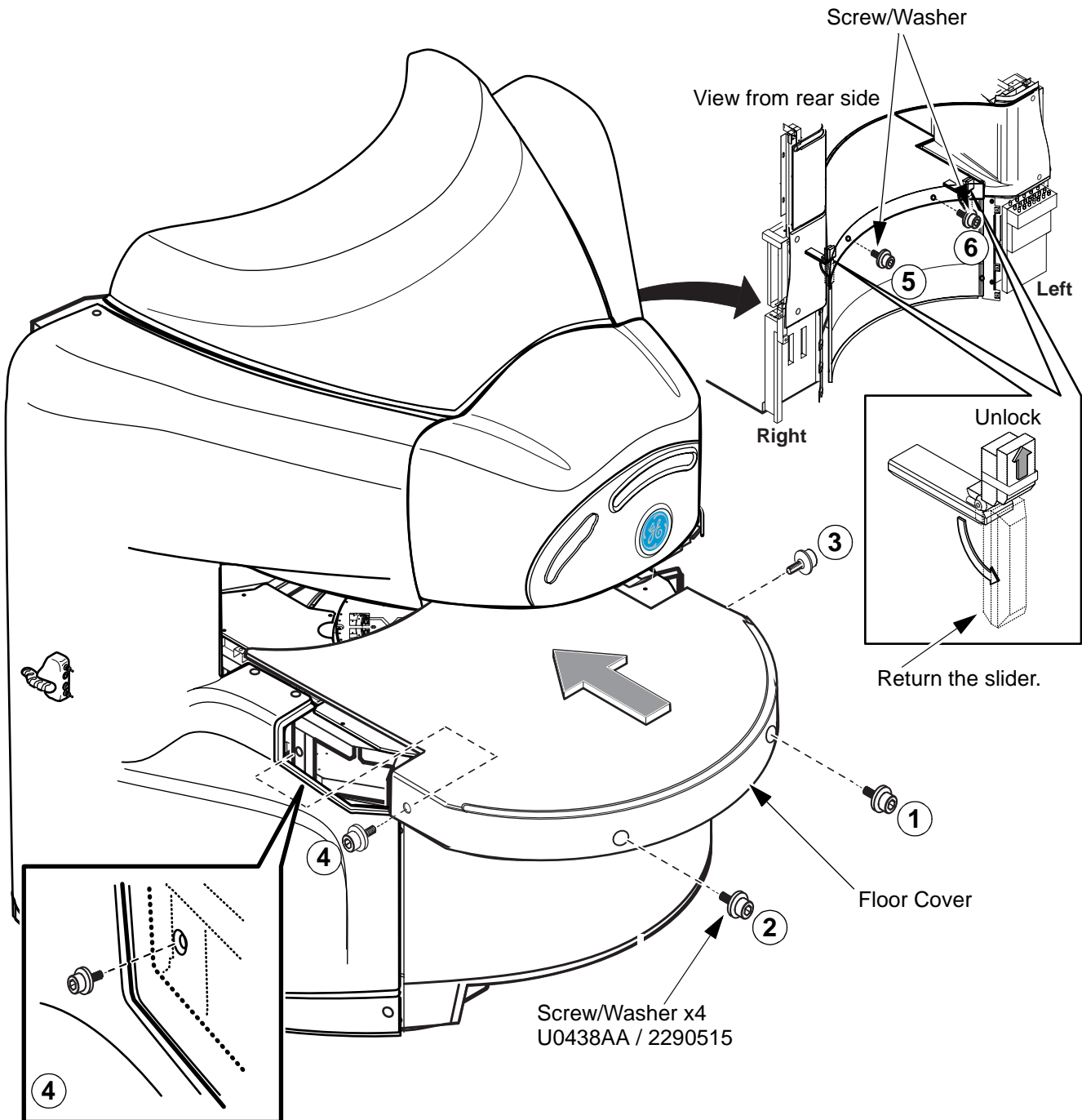
**FLOOR COVER INSTALLATION
ILLUSTRATION 3**

Rev 3

4. Floor Cover(Continued)

- 3. After setting floor cover, unlock slider lock and return 2 slider.
- 4. Install Floor Cover onto the lower coil with 6 screws(U0438AA)/washers(2290515).

NOTE: Install cover so that a clearance between covers becomes level.
Refer to Cover Clearance Adjustment of page 14.



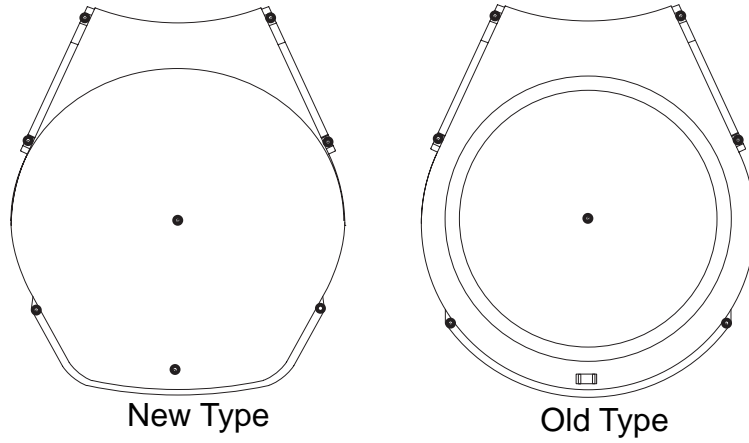
**FLOOR COVER INSTALLATION
ILLUSTRATION 4**

Rev 3

5. Ceiling Cover

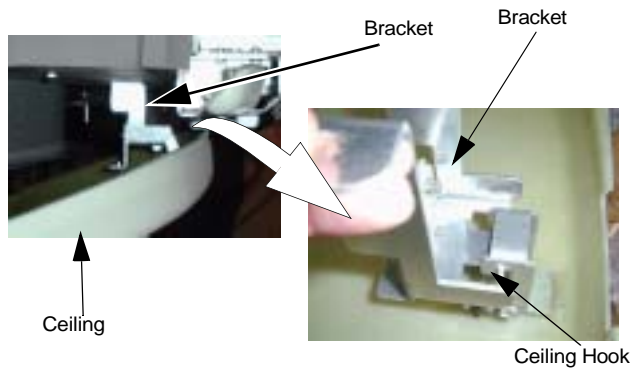
Note

New ceiling cover is introduced from 1Q of 2003. Identify the cover by the shape.



CEILING COVER COMPARISON
ILLUSTRATION 5

- 5. Hang the ceiling cover hook to upper magnet bracket.
For new type ceiling, hook the ceiling according to the following illustration.

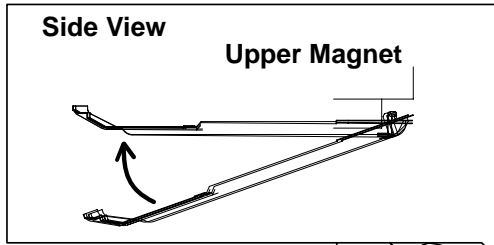


HOOK THE CEILING
ILLUSTRATION 6

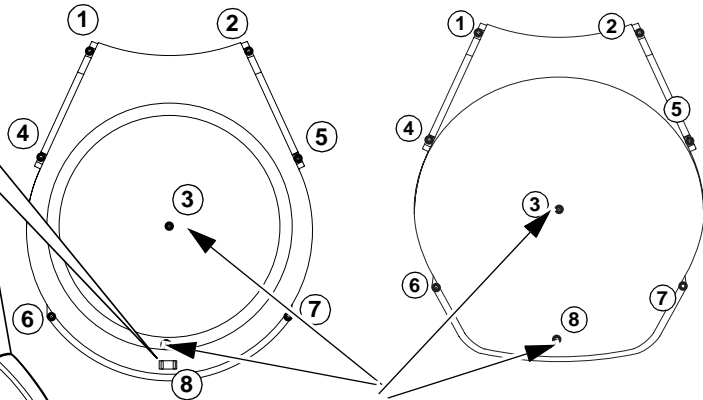
Rev 3

5. Ceiling Cover (continued)

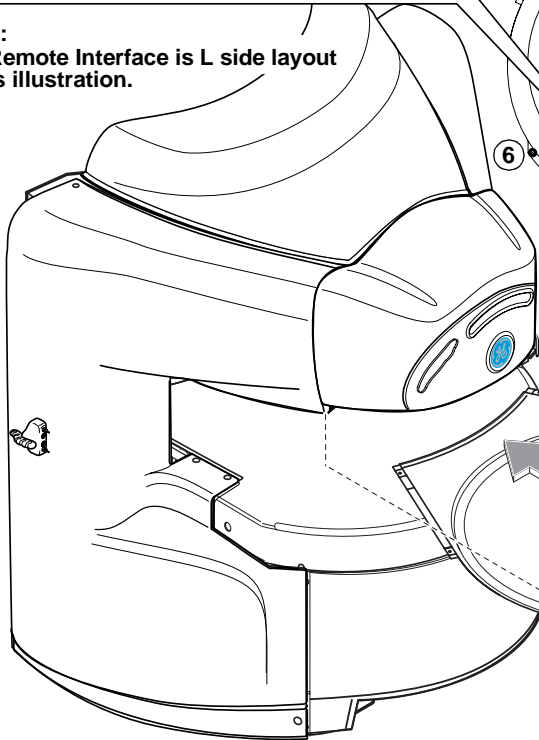
- 6. Install Ceiling Cover to the upper magnet with 8 screws(U0438AA) and center cap(P9123PC) according to tightening order. Hang the ceiling cover bracket to upper magnet bracket.
- 7. Install Ceiling Cover to the upper magnet with 7 screws according to tightening order.



Tightening Order of Screws(U0438AA)



NOTE: PAC Remote Interface is L side layout in this illustration.



Cap Note
For YD Magnet, withdraw the ceiling a little from rear of magnet so that the ceiling hook fit to the ceiling brachet.tightening screws

Ceiling Cover
Hook

Cap
PN:P9123PC

NOTE: Install cover so that a clearance between covers becomes level.
Refer to Cover Clearance Adjustment of page 14.

CEILING COVER INSTALLATION
Illustration 7

Rev 3

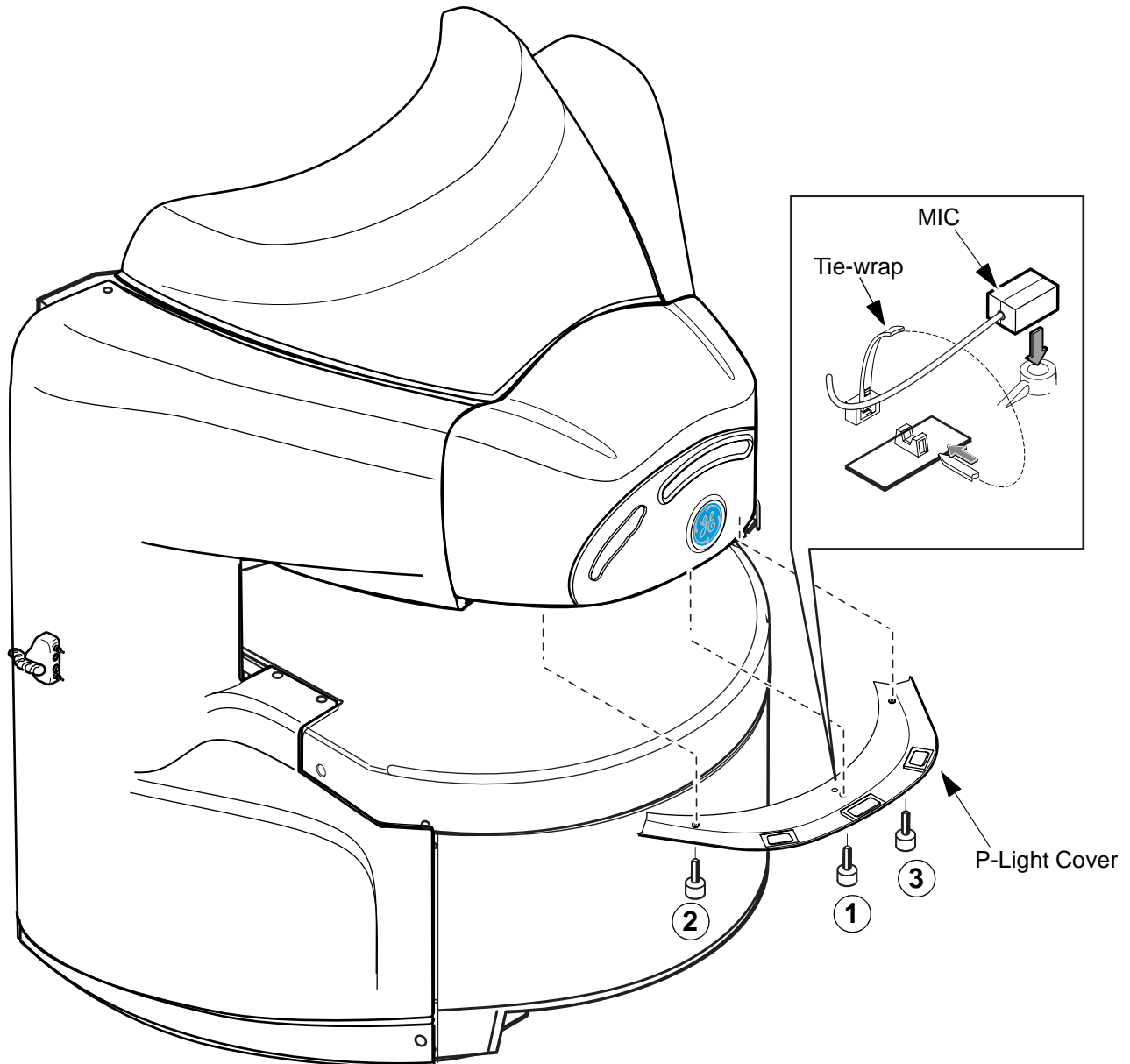
6. P-Light Cover

1. Route peripheral cable to partition of side, ceiling and P-light covers according to site layout.
2. Install the MIC to hole of P-Light Cover, and then fix the cable with tie-wrap.
3. Install P-Light Cover under the P-Light with 3 screws(U0438AA).

NOTE1:The number is tightening order of screw.

NOTE2:PAC Remote Interface is L side layout in this illustration.

NOTE3:Install cover so that a clearance between covers becomes level.
Refer to Cover Clearance Adjustment of page 15.



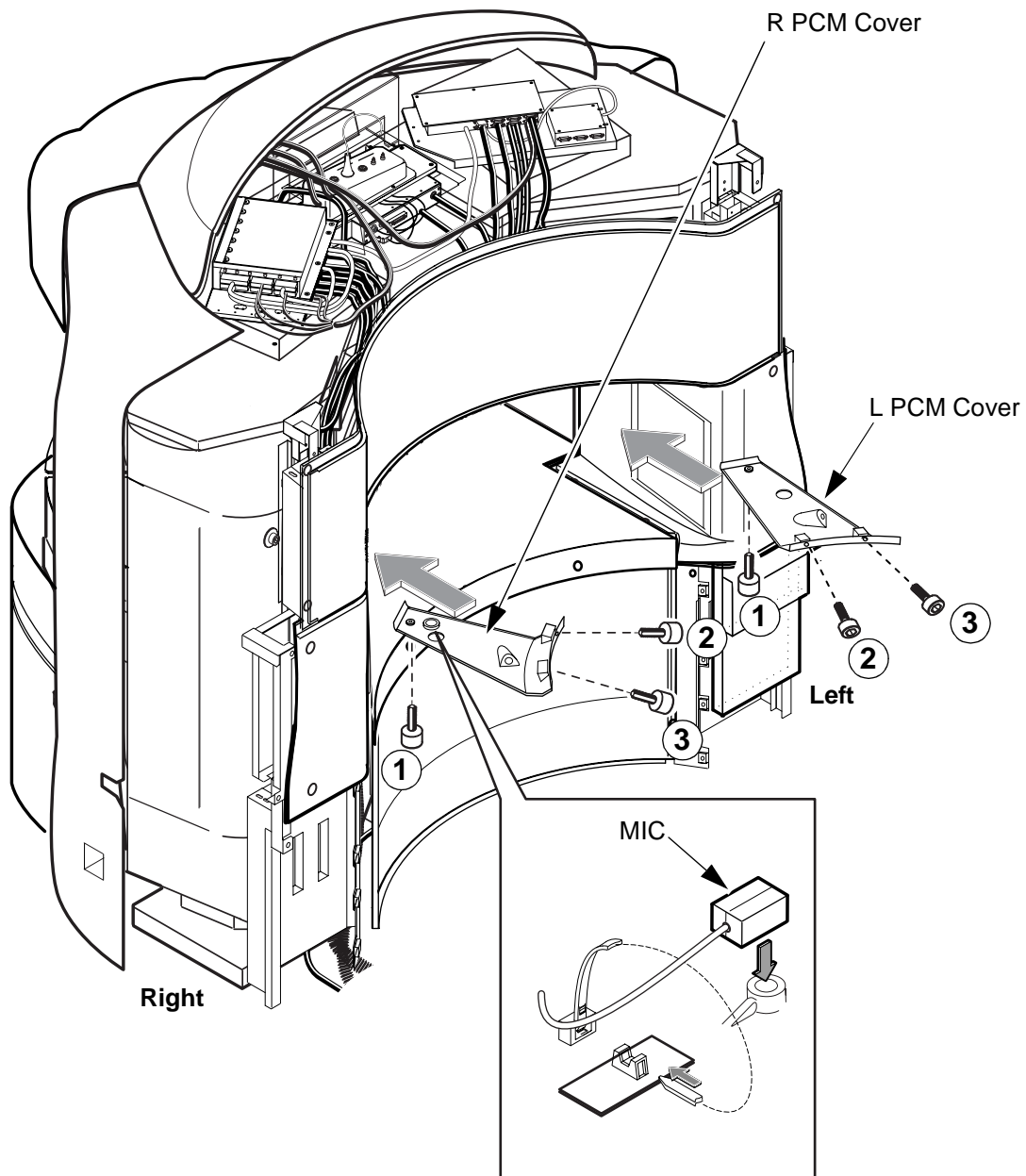
**P-LIGHT COVER INSTALLATION
ILLUSTRATION 8**

Rev 3

7. PCM Cover

1. Install the MIC to R PCM cover.
2. Install two PCM Covers onto the upper ceiling with 3 screws(U0438AA) for each cover.

NOTE: The number is tightening order of screw.



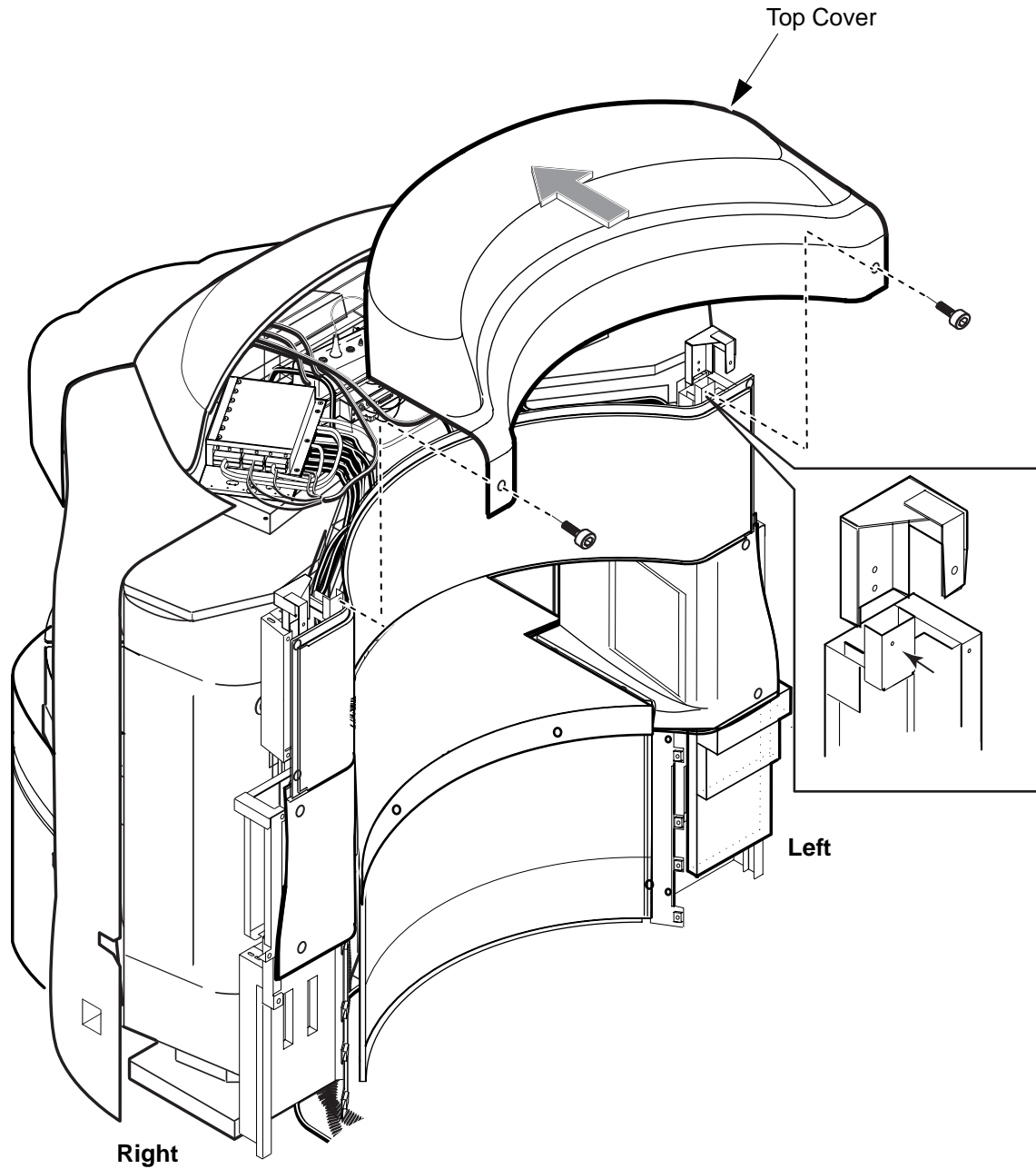
**PCM COVER INSTALLATION
ILLUSTRATION 9**

Rev 3

8. Top Cover

1. Install Top Cover onto the top of the magnet with 2 screws(U0438AA).

NOTE1:Install cover so that a clearance between covers becomes level.
Refer to Cover Clearance Adjustment of page 14.



TOP COVER INSTALLATION
ILLUSTRATION 10

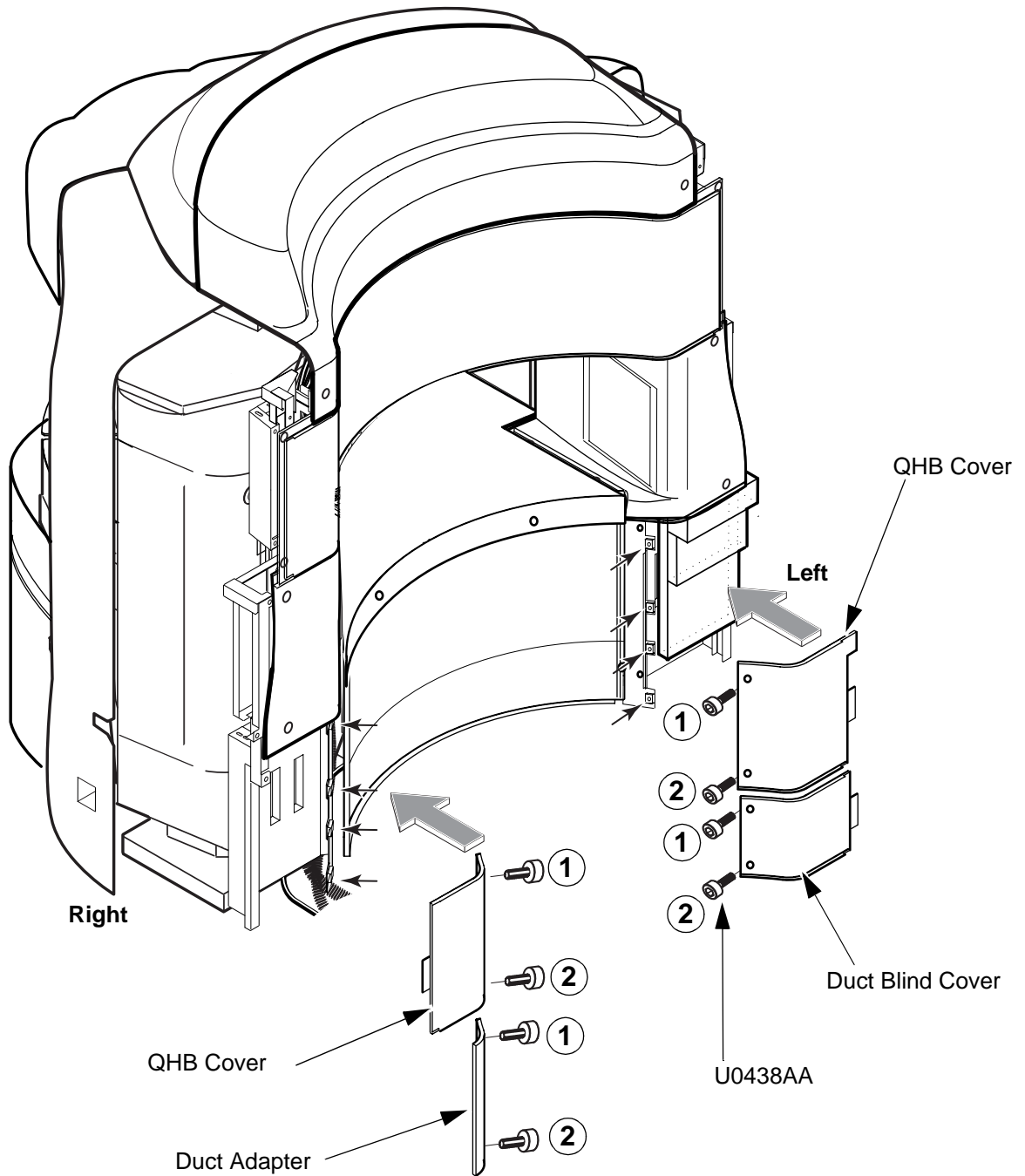
Rev 3

9. QHB / Blind Cover

1. Install two QHB Covers to the rear side of the Magnet with 2 screws(U0438AA) for each cover.
2. Install Duct Blind Cover to R or L rear side of the magnet with 2 screws(U0438AA).
3. Install Duct adapter to R or L rear side of the magnet with 2 screws(U0438AA).

NOTE1:The illustration is R side wiring.

NOTE2:Install cover so that a clearance between covers becomes level.
Refer to Cover Clearance Adjustment of page 14.



NOTE3:The number is tightening order of screw.

QHB / BLIND COVER INSTALLATION
ILLUSTRATION 11

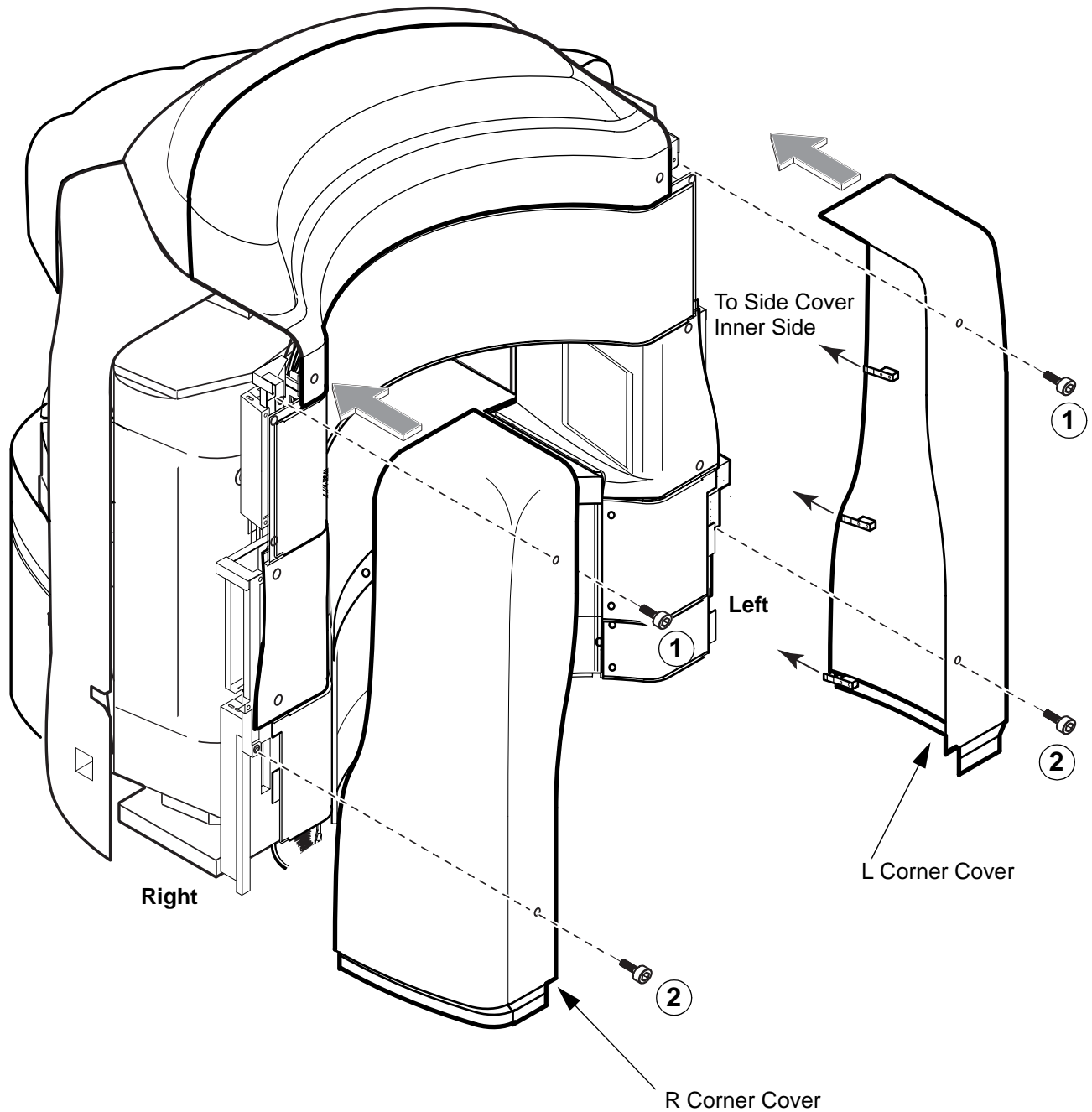
Rev 3

10. Corner Cover

1. Install R and L Corner Covers to the R and L side of the Magnet with 2 screws(U0438AA) for each cover.

NOTE1:The number is tightening order of screw.

NOTE2:Install cover so that a clearance between covers becomes level.
Refer to Cover Clearance Adjustment of page 14.

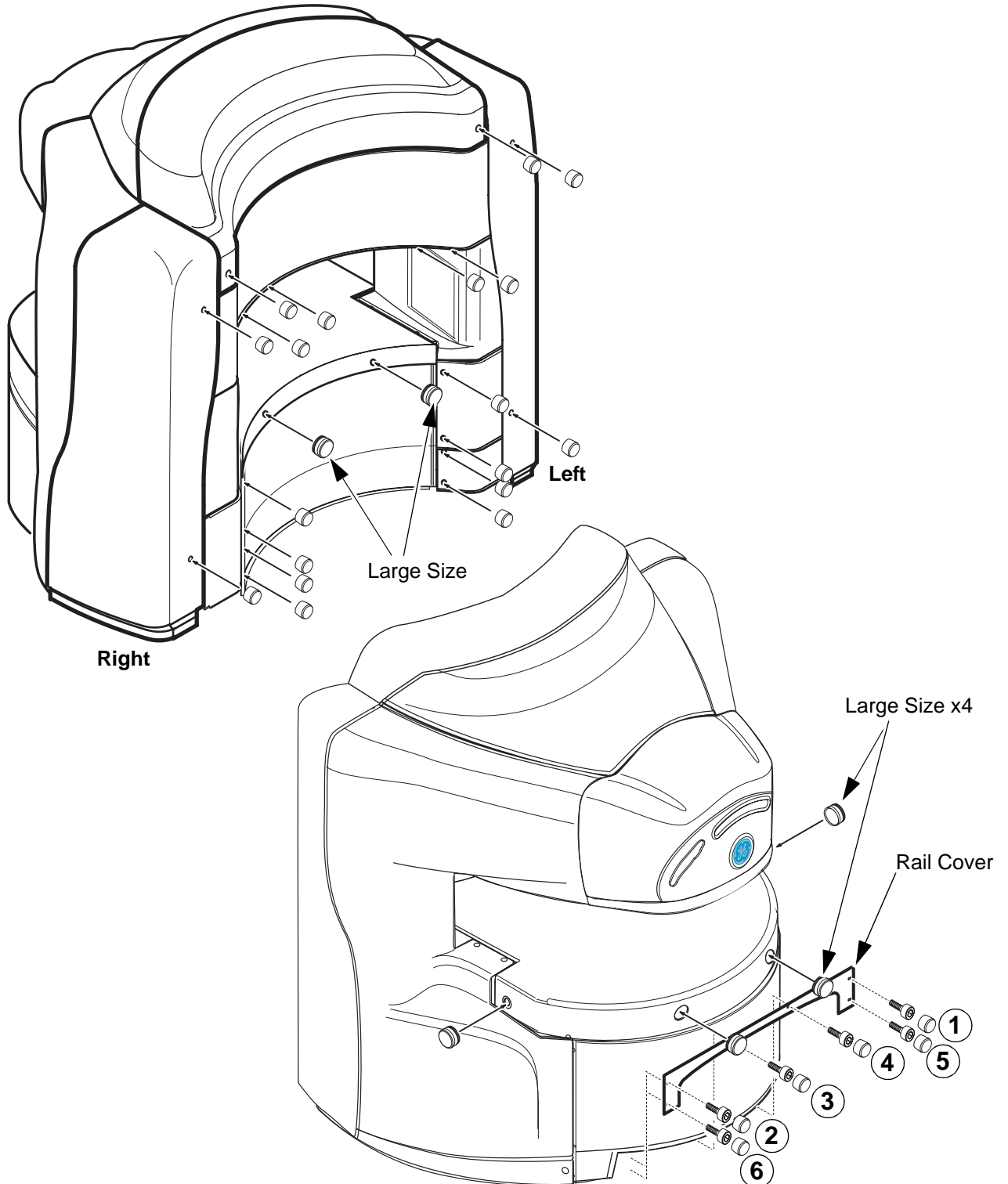


**CORNER COVER INSTALLATION
ILLUSTRATION 12**

Rev 3

11.Rail Cover/Cap

1. Install Rail Cover to the front lower side of the Magnet with 6 screws(U0438AA).
2. Install 4 Caps(large size) to hole of front side.
3. Install 18 Caps(small size) and 2 Caps(large size) to hole of rear side.



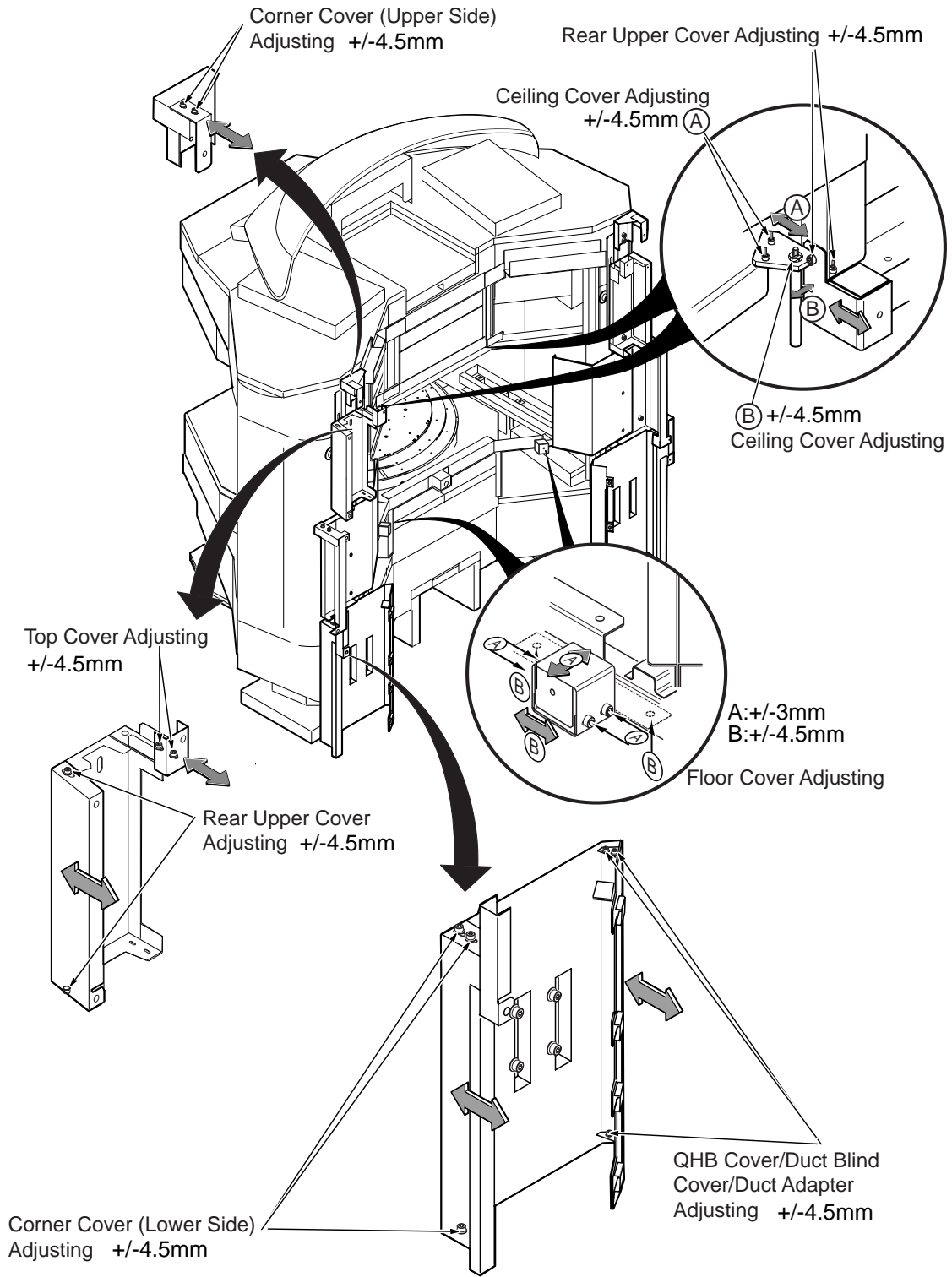
NOTE: The number is tightening order of screw.

RAIL COVER AND CAP INSTALLATION
ILLUSTRATION 13

Rev 3

12. Cover Clearance Adjustment

1. Install cover so that a clearance between covers becomes level.

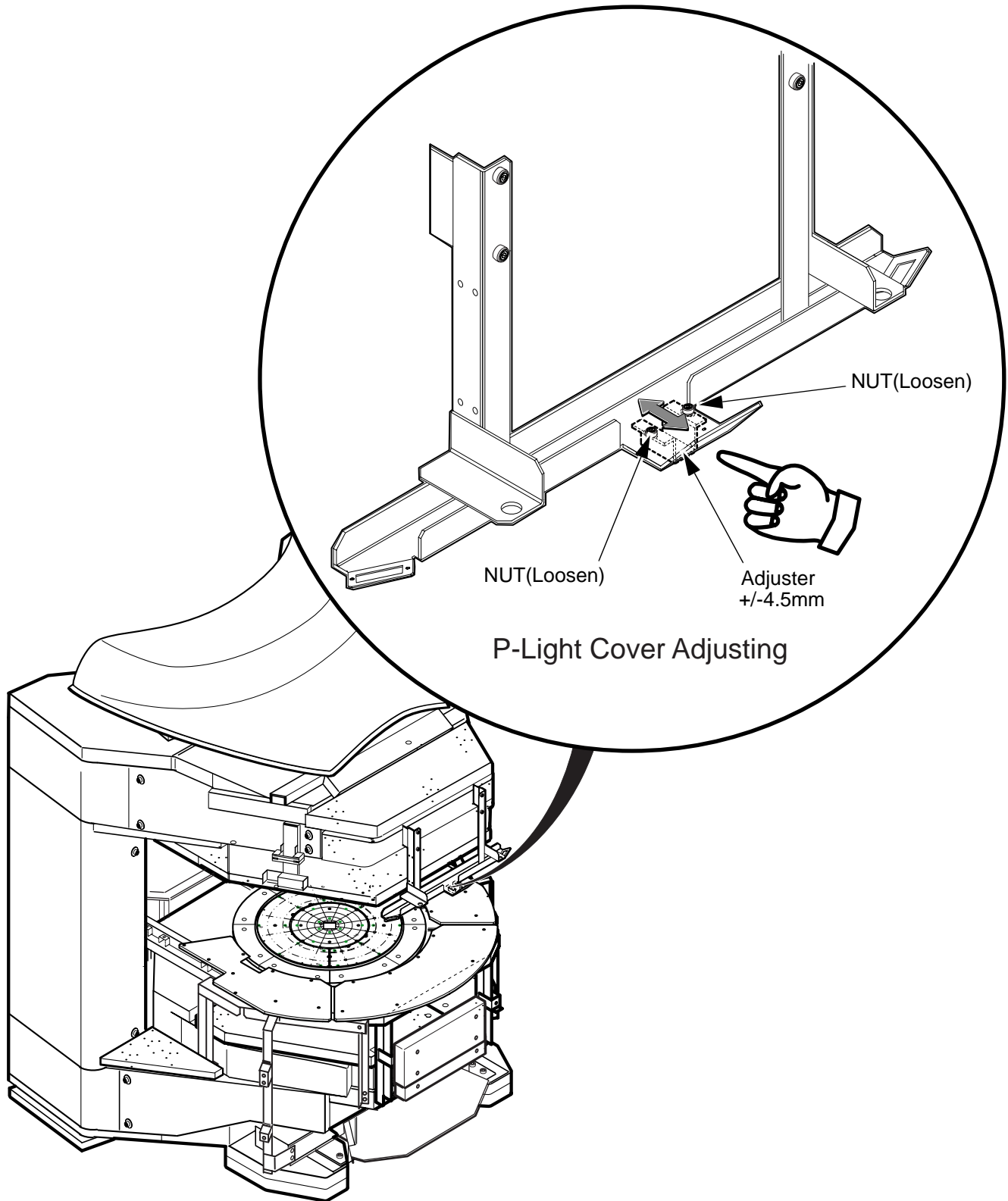


COVER CLEARANCE ADJUSTMENT
ILLUSTRATION 14

Rev 3

12. Cover Clearance Adjustment(Continued)

1. Install cover so that a clearance between covers becomes level.



COVER CLEARANCE ADJUSTMENT(CONTINUED)
ILLUSTRATION 15

Revision History

Rev	Date	Author	Primary Reasons For Change
0	Mar 07, 2001	K.Tsumagari	Initial Release
1	May 21, 2001	K.Tsumagari	1. Cover clearance adjustment is added 2. Misc Change
2	Jan 08, 2002	K.Tsumagari	Page 15: Changed front upper frame
3	Nov 27, 2002	Y.Masumo	Page 7 and 8: Added New ceiling Information