

# TABLE OF CONTENTS

TABLE OF CONTENTS .....	1
1- Overview .....	2
2- Parts Number .....	2
3- Required Tool .....	2
4- Man Power .....	2
5- Procedure .....	2

Rev 0

**1. Overview**

By replacing the ceiling, Body Flex XL(MCAT# M20082BC) coil can be used since patient gap becomes wider.

**2. Parts Number**

XL Ceiling Assy(2360759, MCAT# M20052BK) consists of the following parts.

ITEM	PART NUMBER	DESCRIPTION	Qty
1.	2354413	Ceiling	1
2.	2290761-2	P-Light Cover Assy	1
3.	2356381	Ceiling BRKT2	1
4.	2356382	Ceiling SPRT BRKT	1
5.	2356383	Washer	3
6.	2356378	Ceiling BRKT Jig	1
7.	U0444AA	Flange Socket	4
8.	U0438AA	Flange Socket	6
9.	P9123PC	CAP	2

**3. Required Tool**

Items	Qty	Type/Parts Number
M6 Phillips Screwdriver (+ Type)	1	Non ferrous
M5 hexagon wrench	1	Non ferrous

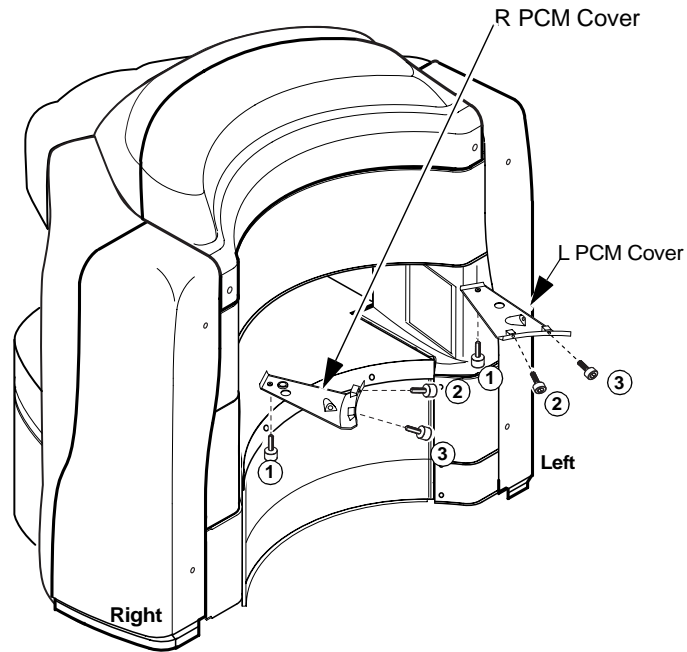
**4. Man Power**

One Service Engineer for 1 hour.

Rev 0

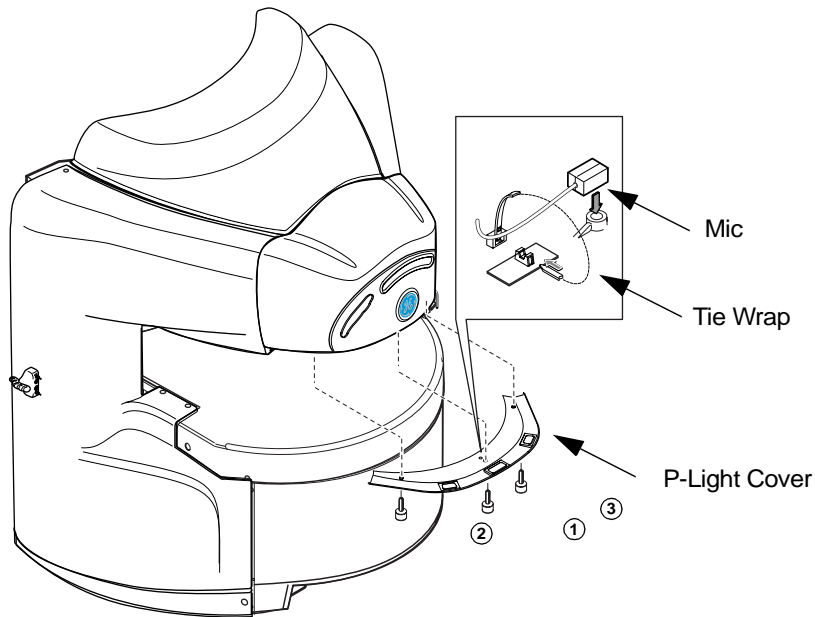
**5. Procedure**

1. Remove the PCM Cover.



**PCM COVER DEINSTALLATION  
ILLUSTRATION 1**

2. Remove P-Light Cover.
3. Remove Mic from P-Light Cover.

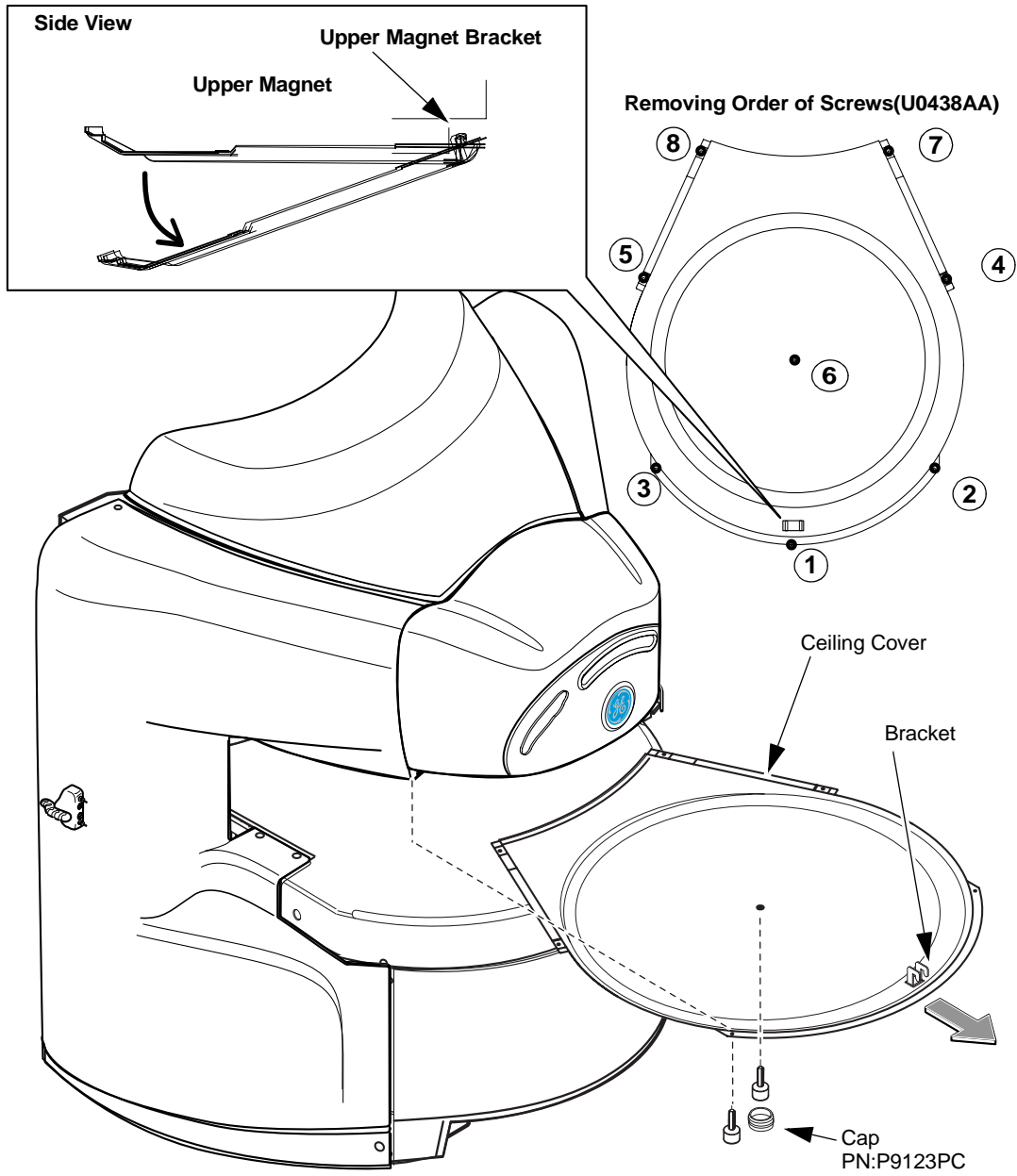


**P-LIGHT COVER DEINSTALLATION  
ILLUSTRATION 2**

Rev 0

**5. Procedure (continued)**

- 4. Remove the ceiling seven screws according to the removing order.
- 5. Tilt the ceiling. See illustration.
- 6. Remove the ceiling from front side..

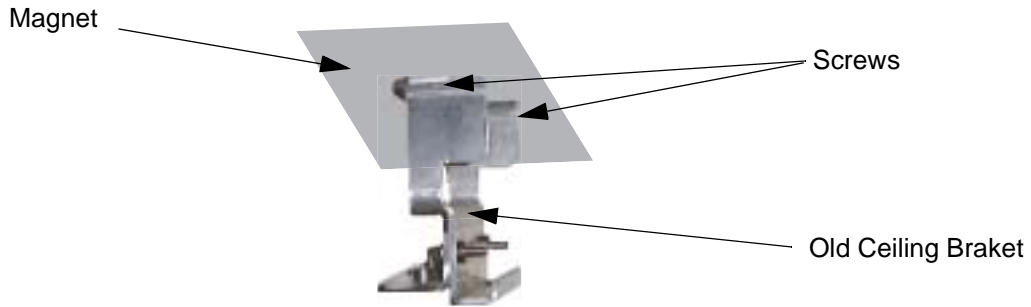


**CEILING COVER INSTALLATION  
ILLUSTRATION 3**

Rev 0

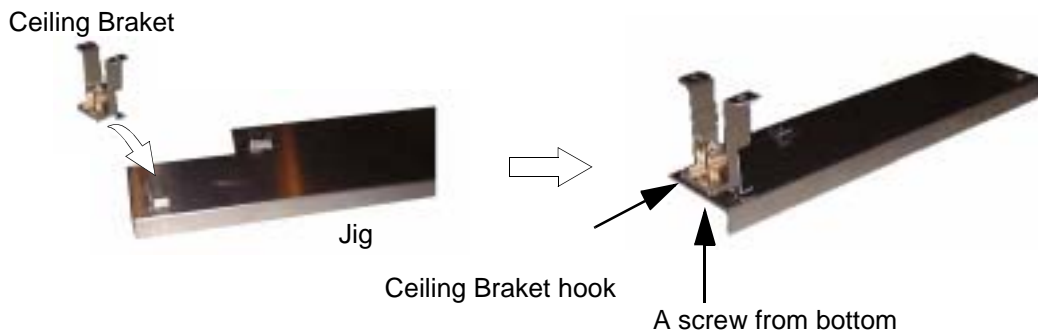
**5. Procedure (continued)**

7. Remove two insulator and remove the old ceiling bracket from Magnet.



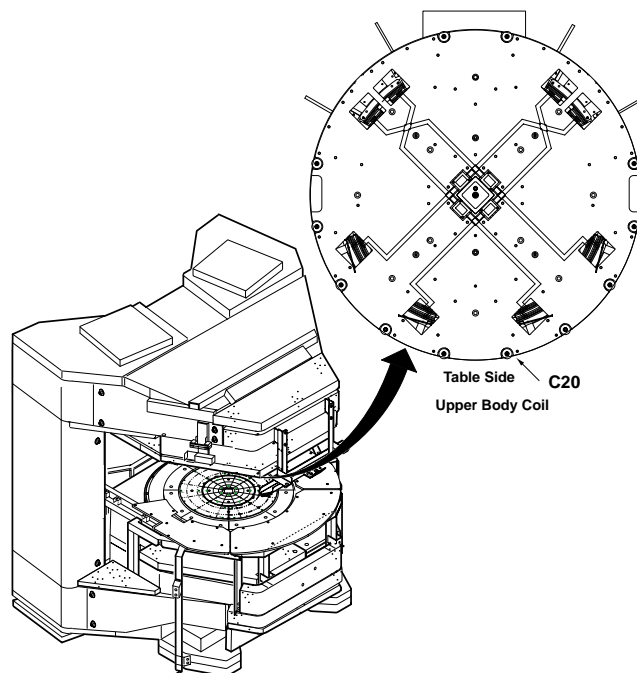
**OLD CEILING BRACKET**  
ILLUSTRATION 4

8. Attach the new ceiling bracket to the jig..



**CEILING BRACKET AND JIG**  
ILLUSTRATION 5

9. Remove C20 screw from Tx Coil.



**REMOVE A SCREW**  
ILLUSTRATION 6

Rev 0

**5. Procedure (continued)**

- 10. Attach the Jig to the magnet with two screws (Body Coil Center and C20 position).  
Verify that there is no gap between jig and body coil.



**INSTALL JIG**  
ILLUSTRATION 7

- 11. Fix ceiling bracket tightly to the magnet with two screws. Use longer screws (U0444AA) and washer in the kit.



Use the longer screws and washer shipped in the kit.



**FIX BRACKET**  
ILLUSTRATION 8

- 12. Adjust the height and fix the screws tightly.



**HEIGHT ADJUSTMENT**  
ILLUSTRATION 9

Rev 0

**5. Procedure (continued)**

13.Remove a screw from jig to remove the bracket.



**REMOVING SCREW FROM JIG**  
ILLUSTRATION 10

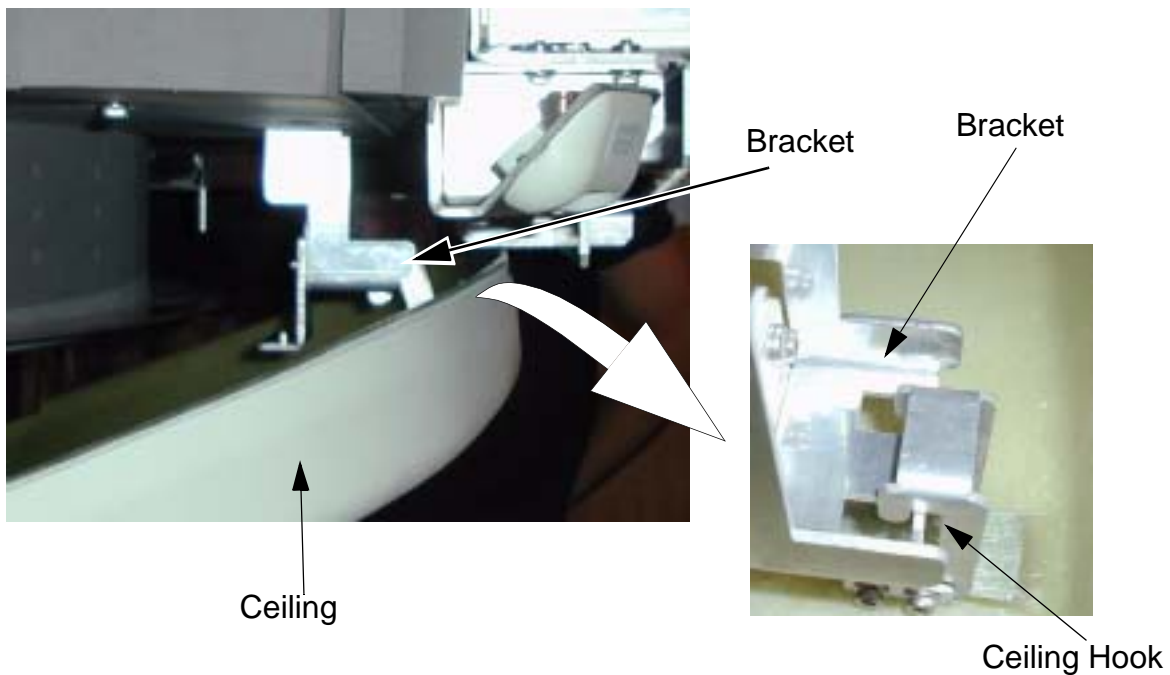
14.Remove Jig from Magnet by removing two screws(Center and C20 position).

15.Verify that the bracket is installed firmly.

16.Restore the C20 screw to body coil.

17.Restore two insulators to the bracket.

18.Hook the ceiling to the bracket so that the ceiling hooks fit the bracket holes..



**HOOK THE CEILING**  
ILLUSTRATION 11

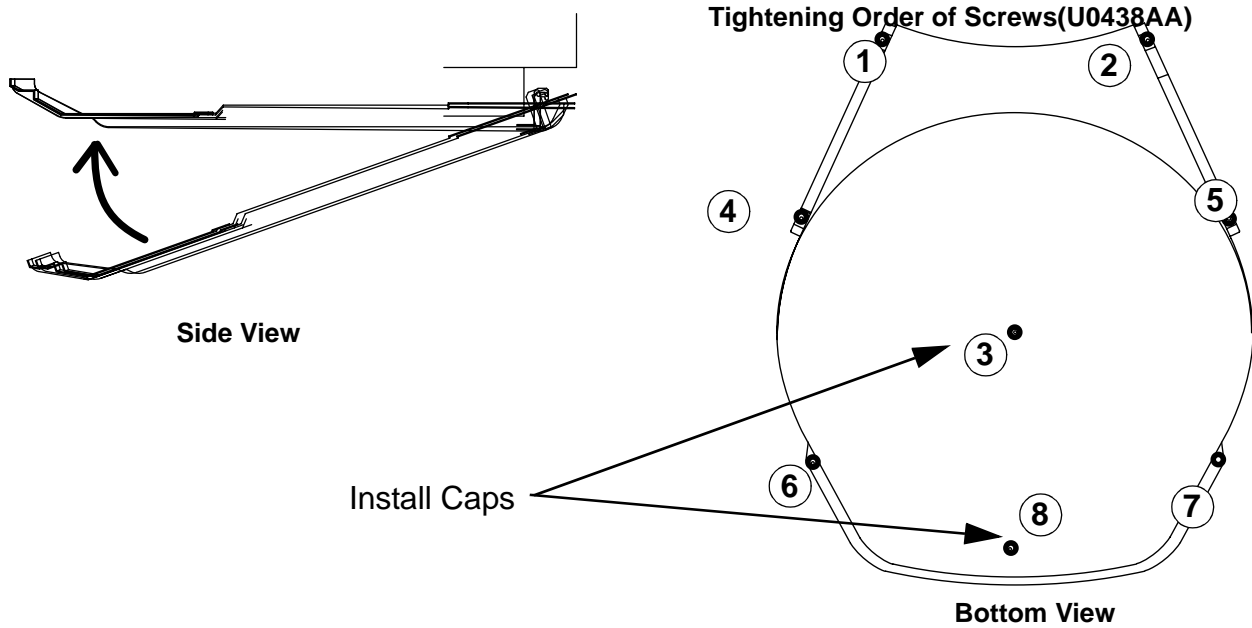
Rev 0

**5. Procedure (continued)**

19. Tighten the screws according to the tightening order.

**Note**

For YD Magnet, withdraw the ceiling a little from rear of magnet so that the ceiling hook fit to the ceiling brachet.

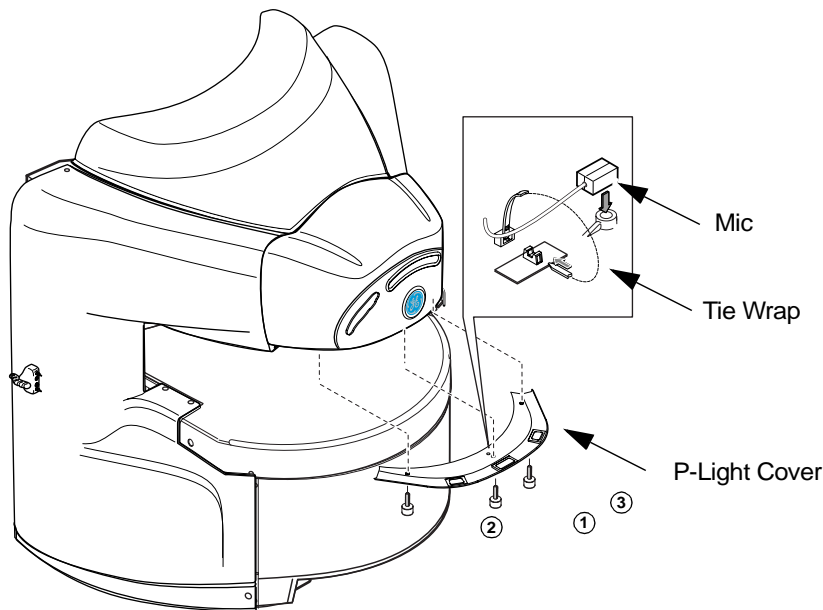


**TIGHTENING SCREWS**  
ILLUSTRATION 12

20. Restote PCM covers.

21. Install the MIC to hole of new P-Light Cover, and then fix the cable with tie-wrap.

22. Install new P-Light Cover.



**P-LIGHT COVER INSTALLATION**  
ILLUSTRATION 13

Rev 0

**Revision History**

<b>Rev</b>	<b>Date</b>	<b>Author</b>	<b>Primary Reasons For Change</b>
0	Oct 21, 2002	Y. Masumo	Initial Version