

BODY COIL INSTALLATION

TABLE OF CONTENTS

Table of Contents 1

1- Preparation 2

2- Upper Body Coil Installation 3

3- Lower Body Coil Installation 7

4- Body Coil Seal Attachment: 8

5- Filter Box Installation 9

6- DC Bias Cables /RF Cables Wiring 10



FERROUS MATERIAL HAZARD! THE CRIMP TOOL, AND OTHER TOOLS AND PARTS REQUIRED FOR THIS INSTALLATION CONTAIN FERROUS MATERIAL AND WILL BE STRONGLY ATTRACTED TO MAGNET AND MAY BECOME DANGEROUS PROJECTILES. IF MAGNET IS AT FULL FIELD – KEEP ALL FERROUS TOOLS AT LEAST 10 FEET AWAY FROM THE MAGNET.

Rev 4

1. Preparation

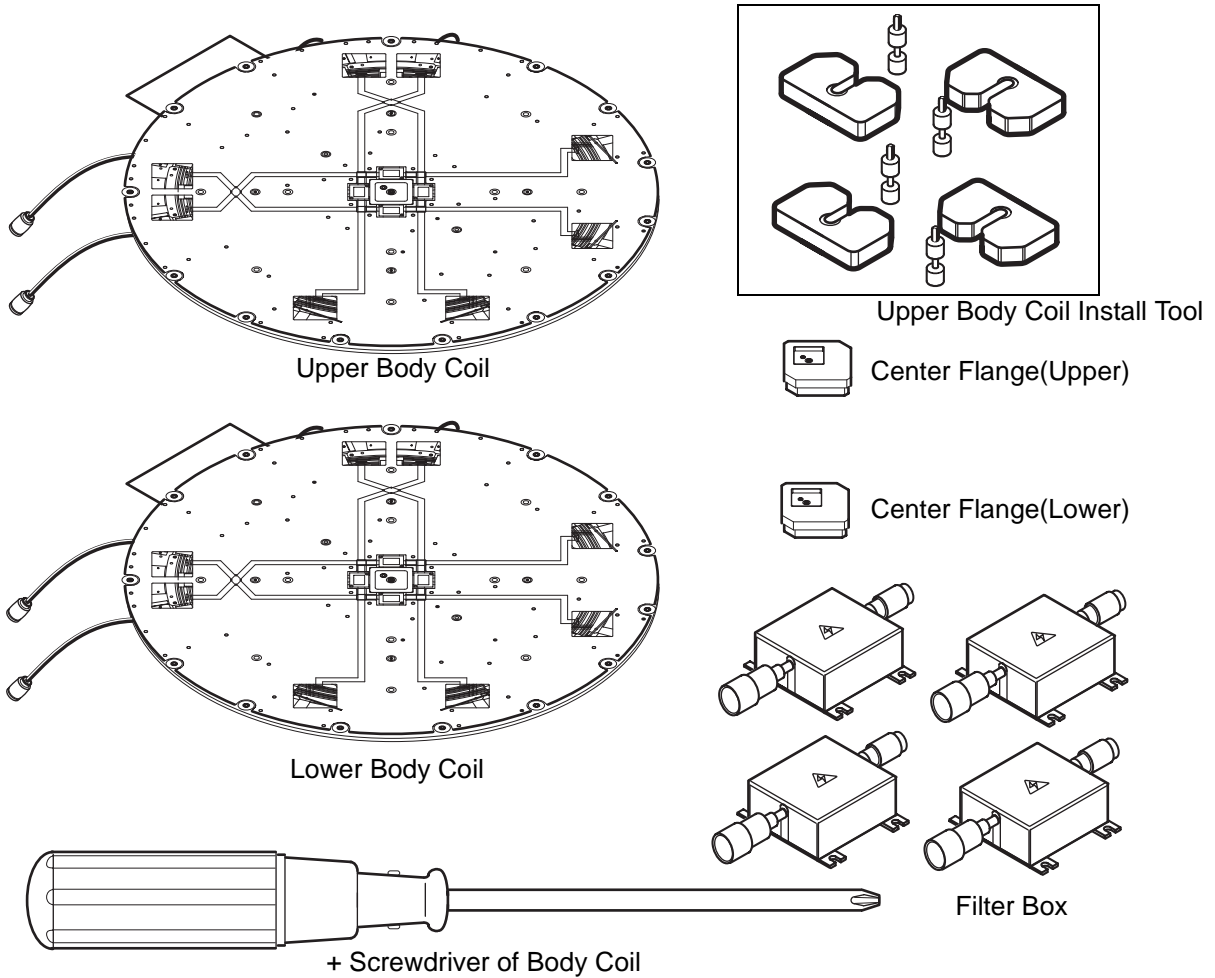
1. Verify that the following parts are already installed before starting the body coil installation.

WARNING!

The Body Coil is 20 kg in weight, be very carefully in installation, and do not damage the upper and lower body coil.

CAUTION

- At least two people are required to install the Upper and lower Body Coil.
- Do not stand body coil to wall etc.



**PREPARATION
ILLUSTRATION 1**

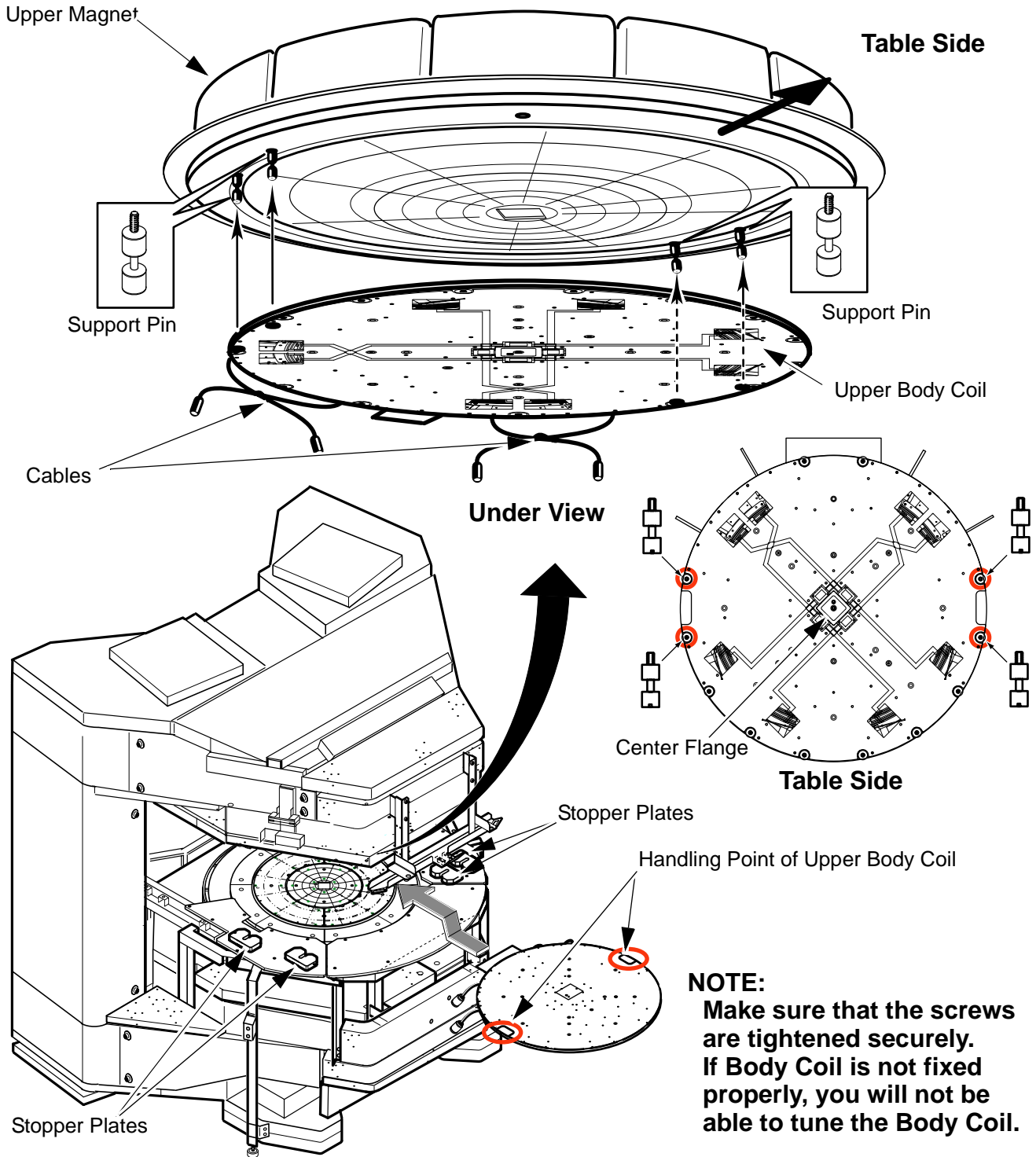
Required Tool:

Items	Qty	Type/Parts Number	Part
Phillips Screwdriver (+ Type)	1	Non ferrous	Body Coil(Use attached screwdriver)
Phillips Screwdriver (- Type)	1	Non ferrous	Install Tool

Rev 4

2. Upper Body Coil Installation

1. Tighten 4 Support Pins to upper magnet side as illustration.
2. Tie the cables of body coil as illustration.
3. Put 4 Stopper Plates onto side deck plates.
4. Install Upper Body Coil to support pins of upper magnet.



UPPER BODY COIL INSTALLATION ILLUSTRATION 2

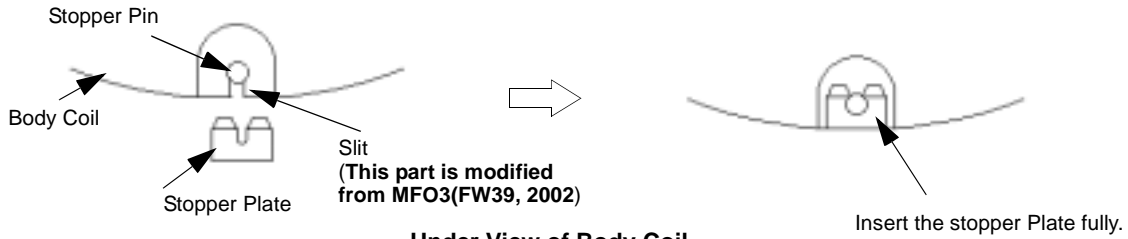
Rev 4

2. Upper Body Coil Installation(Continued)

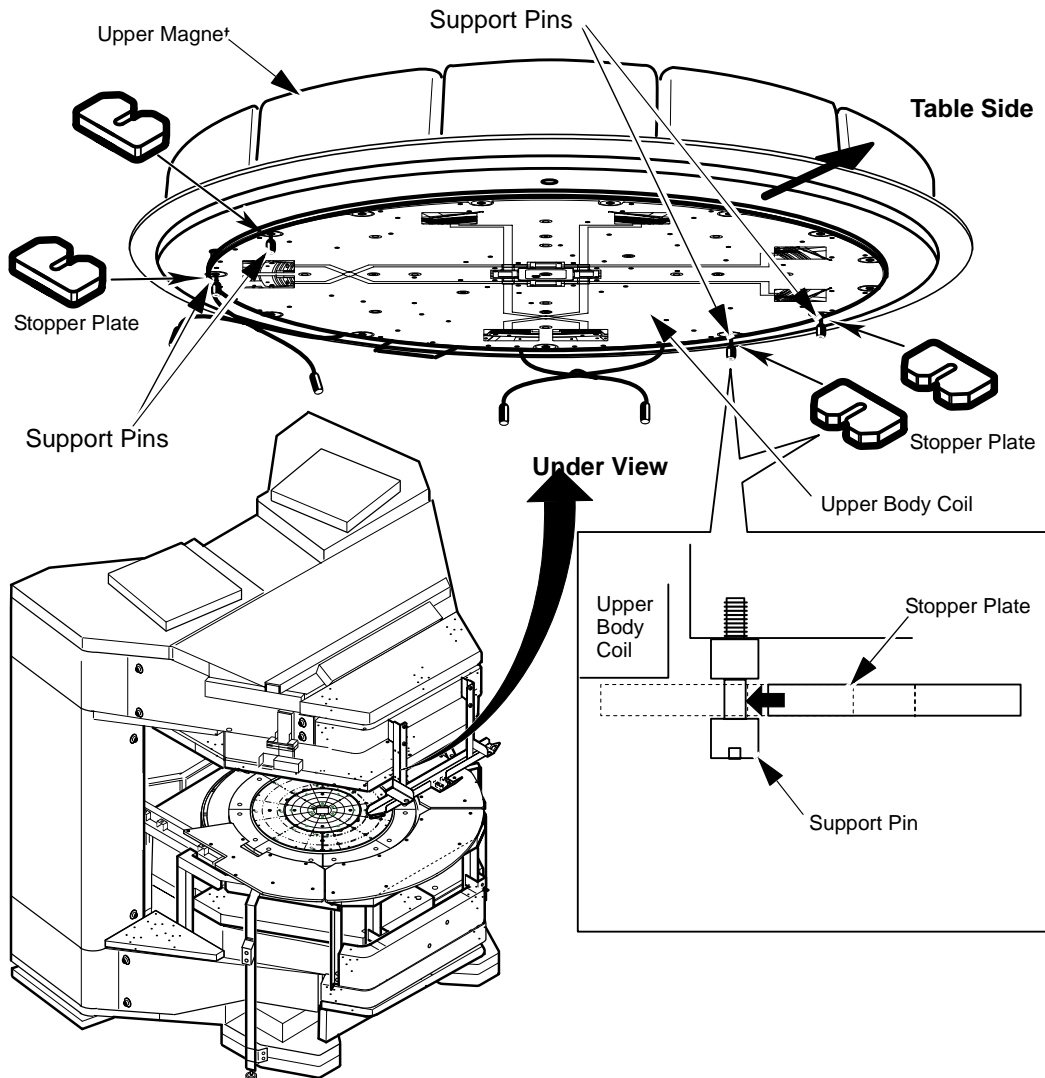
- 5. Insert 4 stopper plates to support pins holding upper body coil

CAUTION

The design of Body Coil is changed from MFO3(FW40, 2002). Because of the change, it is very important to insert the stopper plate fully so that the Body Coil won't be unhooked.



Under View of Body Coil
STOPPER PLATE INSTALLATION
ILLUSTRATION 3



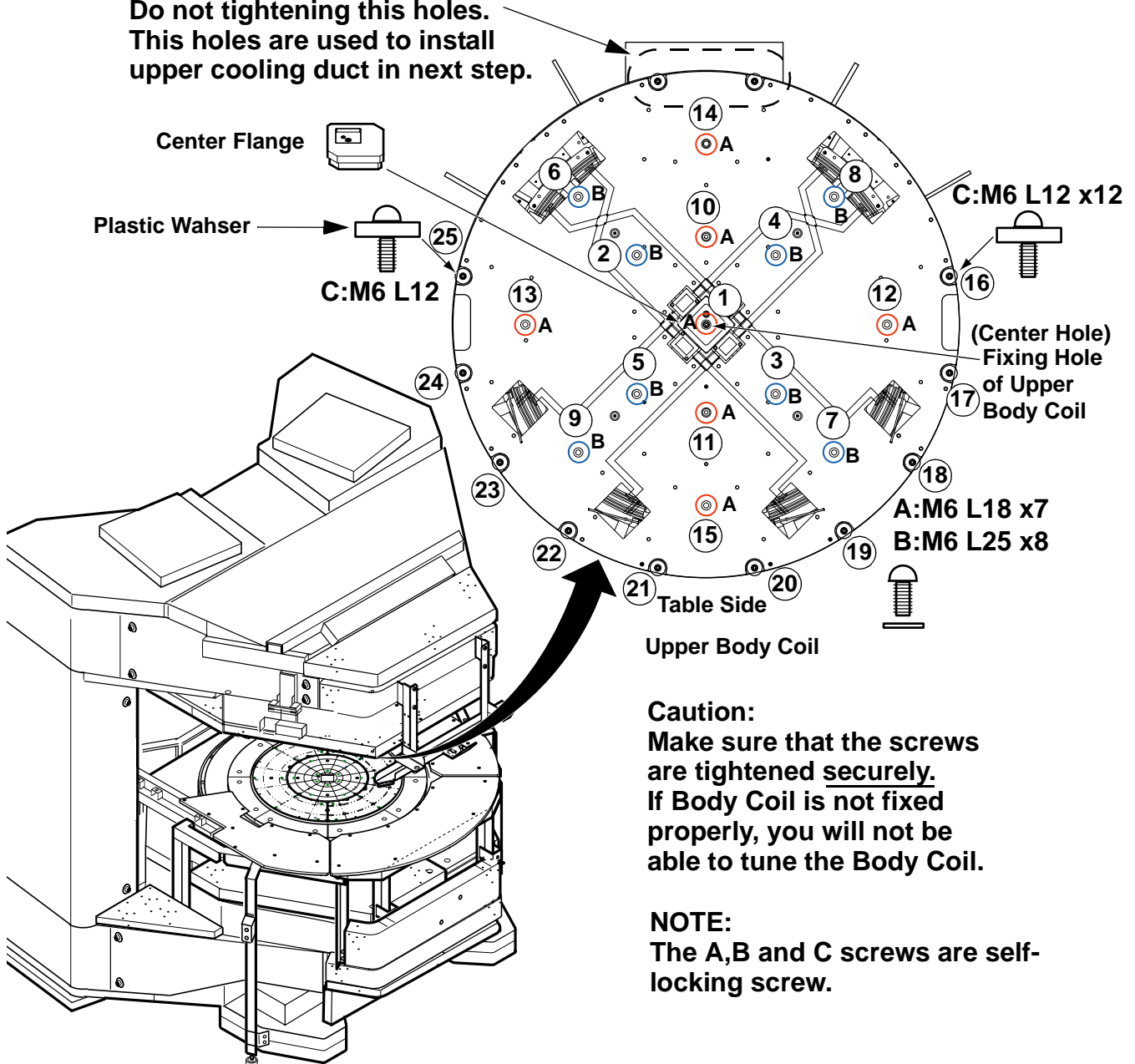
UPPER BODY COIL INSTALLATION(CONTINUED)
ILLUSTRATION 4

Rev 4

2. Upper Body Coil Installation(Continued)

6. Set Center Flange to center of upper body coil, tighten a screw/washer(A:M6L18) to center hole of upper body coil holding by hand.Do not tighten.
7. Tighten 8 washers/screws (B:M6L25) to B screw holes of body coil.Do not tighten.
8. Tighten 6 washers/screws (A:M6L18) to A screw holes of body coil.Do not tighten.
9. Tighten 6 plastic washers/screws(C:M6L12) to C screw holes of body coil.Do not tighten.
- 10.Tighten center screw holding upper body coil to upper side.
- 11.Tighten A and B screws strongly according to tightening order as illustration.
- 12.Remove stopper plates holding to upper side and remove support pins from upper coil.
- 13.Tighten 4 plastic washers/screws(C:M6L12) to C screw holes of body coil strongly.

NOTE:
Do not tightening this holes.
This holes are used to install upper cooling duct in next step.

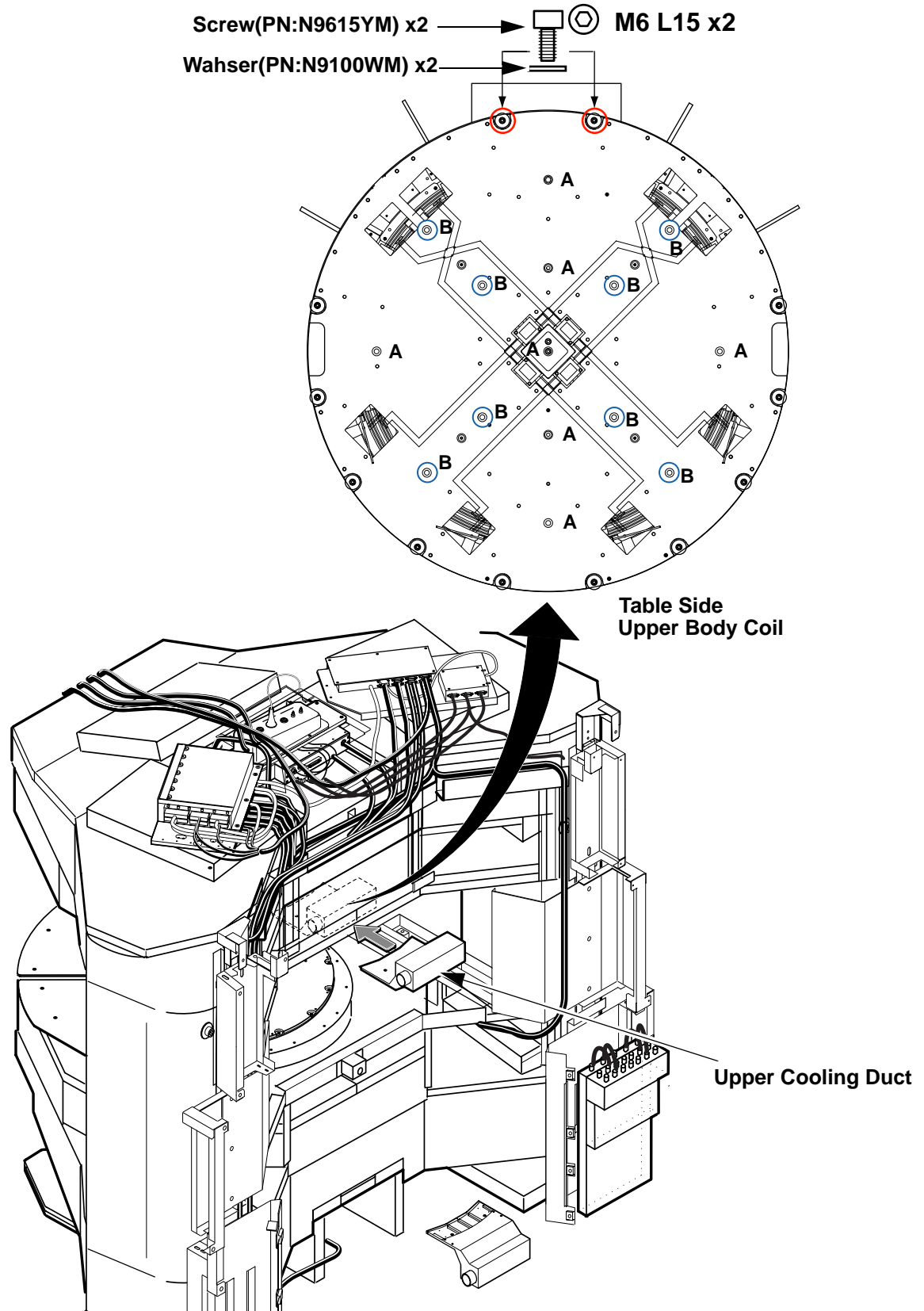


UPPER BODY COIL INSTALLATION(CONTINUED)
ILLUSTRATION 5

Rev 4

2. Upper Body Coil Installation(Continued)

14. Install Upper Cooling Duct to rear side of upper body coil with 2 screws/washers.



UPPER BODY COIL INSTALLATION(CONTINUED)
ILLUSTRATION 6

Rev 4

4. Body Coil Seal Attachment:

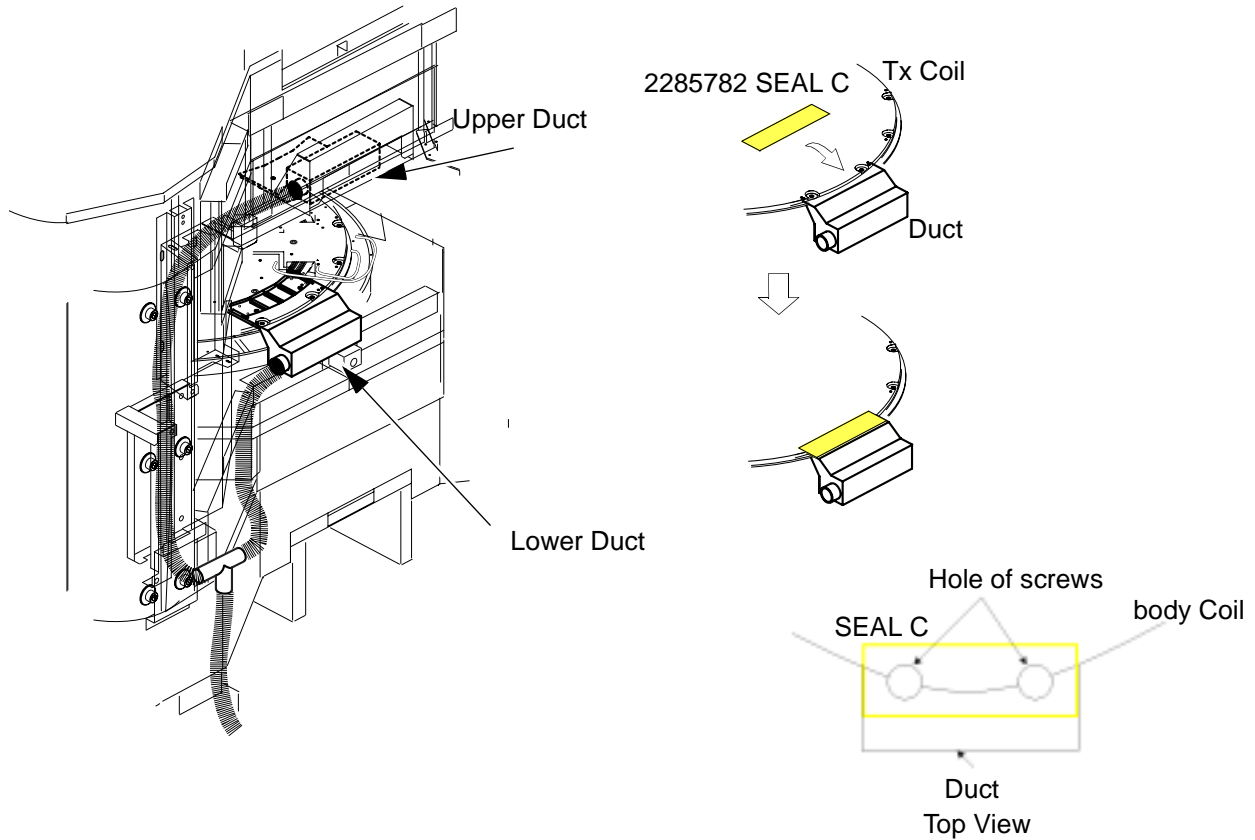
It is necessary to attach the tape on duct and body coil to avoid the air leakage.

Attach the tape(2285782 SEAL C) between body coil and duct to seal the holes of screws according to the illustration. Perform it for upper and lower duct.

Note

SEAL C(2285782) is included in the Body Coil Kit.

The color of seal is yellow.



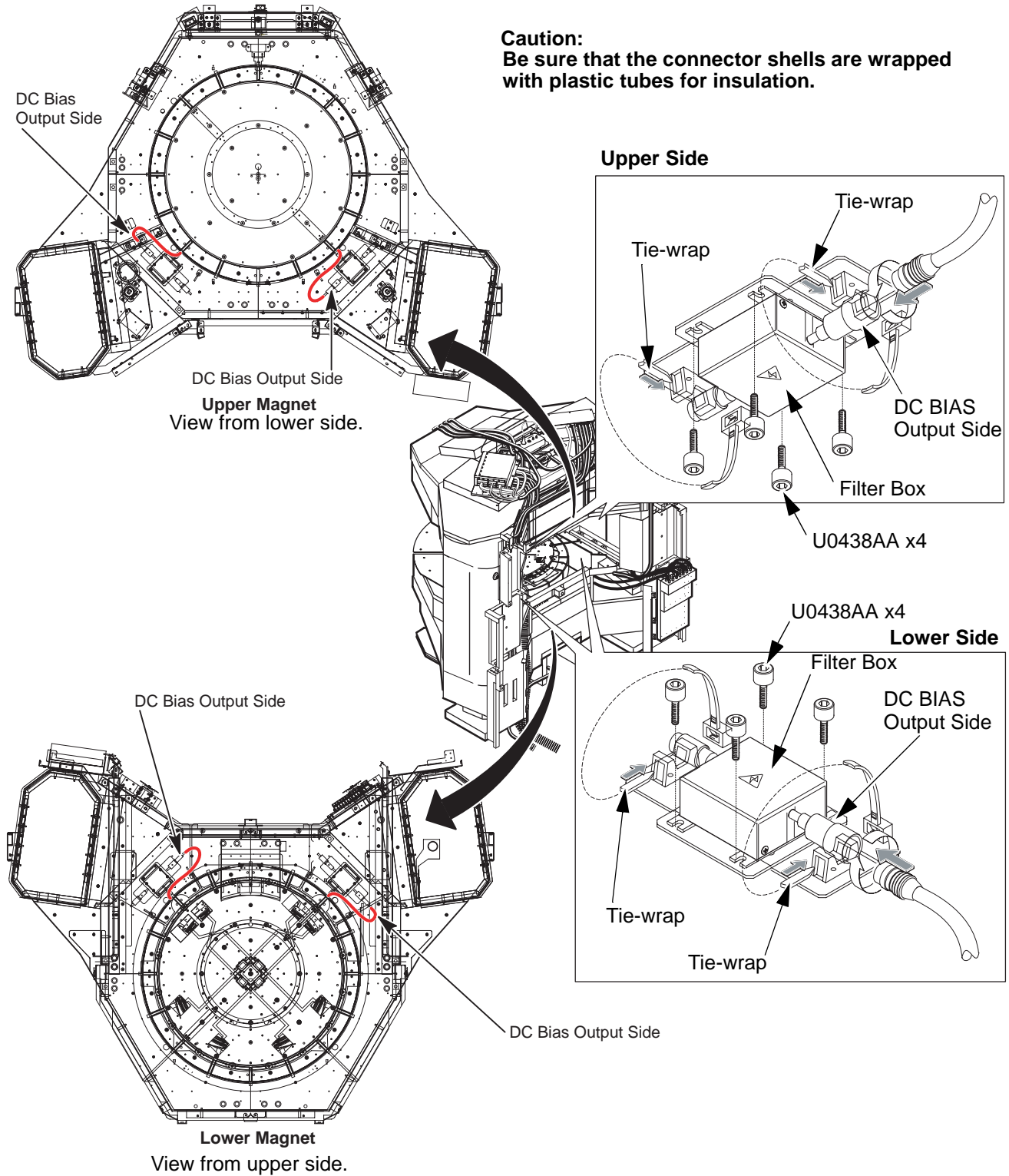
**DUCT INSTALLATION
ILLUSTRATION 8**

Rev 4

5. Filter Box Installation

1. Connect the Cables(Output side) of body coils to 4 filters(Output side).
2. Install the 4 filters to filter BRKT with 4 screws(U0438AA).
3. Fix the filter cables with tie-wraps.

Caution:
Be sure that the connector shells are wrapped with plastic tubes for insulation.



FILTER BOX INSTALLATION
ILLUSTRATION 9

Rev 4

6. DC Bias Cables /RF Cables Wiring



DANGER!!

THE SSM OUTPUTS VERY HIGH VOLTAGE. BE SURE TO TURN THE SSM POWER OFF BEFORE CONNECTING DC BIAS CABLES. HANDLING DC BIAS CABLES WITHOUT TURNING SSM POWER OFF MAY CAUSE SERIOUS INJURY OR DEATH DUE TO ELECTRIC SHOCK.



CAUTION

When connecting the DC cables, make sure that connectors DO NOT TOUCH the frame, other connectors, or any other conductive materials.

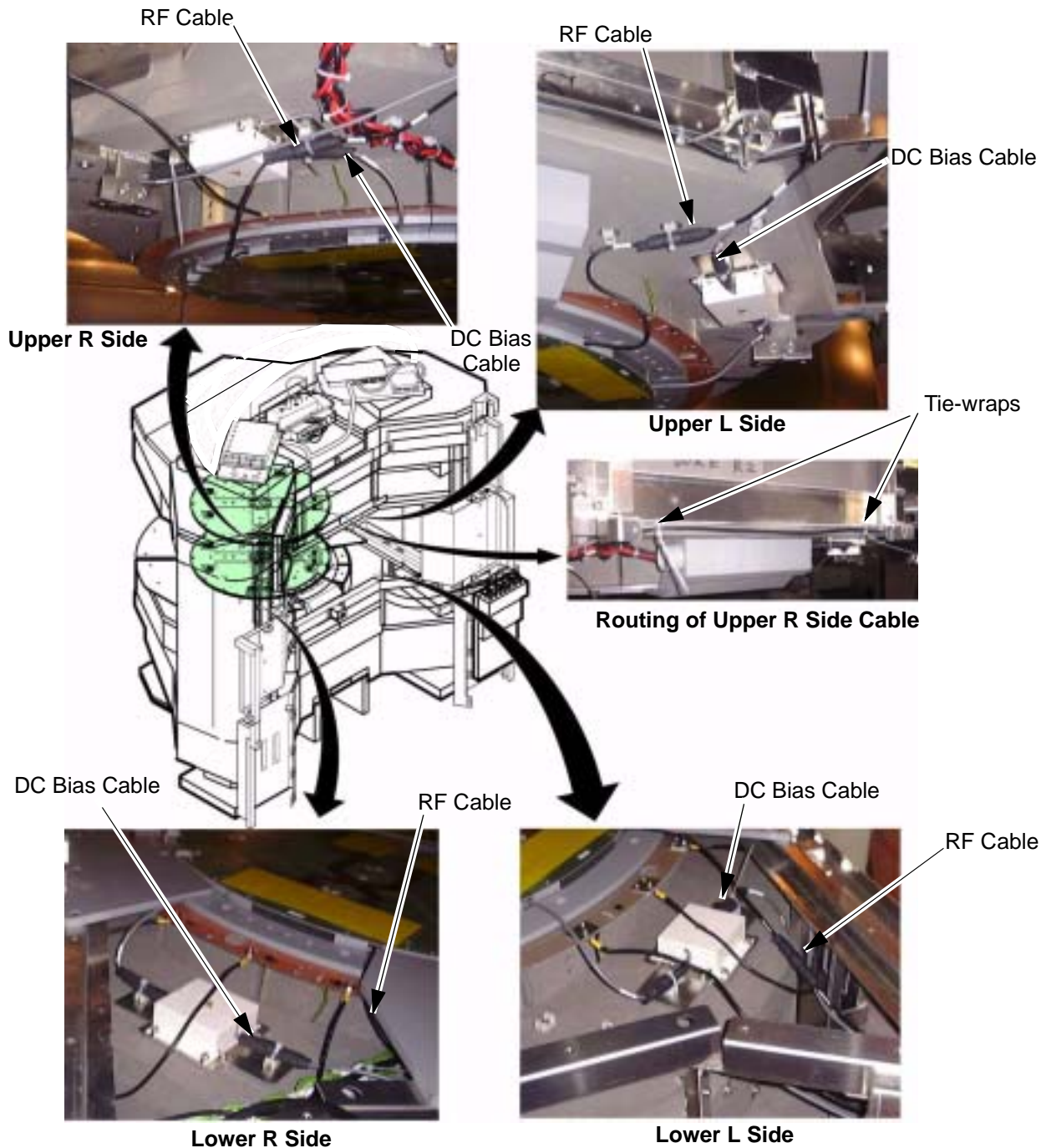
NOTE:

Before connecting RF cables, perform body coil tuning.
Refer to body coil tuning.

Rev 4

6. DC Bias Cables /RF Cables Wiring(Continued)

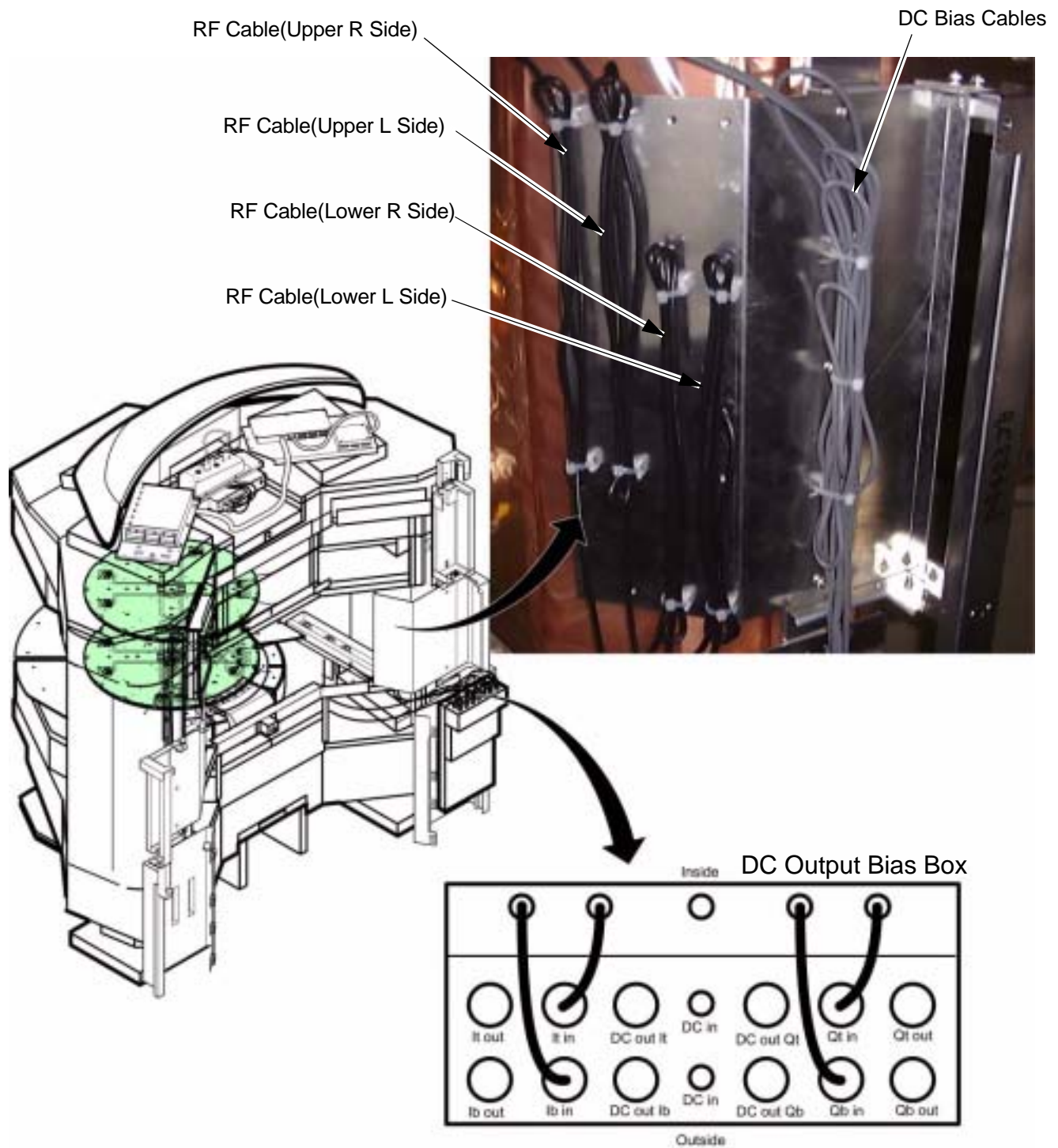
1. Connect 4 DC Bias Cables to 4 filters(Input side).
2. Connect 4 DC Bias Cables to DC Output Box.Refer to illustration 9. After connecting DC Bias Cables, go to body coil tuning procedure.
3. After body coil tuning, Connect 4 RF Cables to RF connector of body coil.
4. Connect 4 RF Cables to DC Output Box.
5. Route and fix DC Bias Cables and RF Cables to QHB side with tie-wraps as illustration 8 and 9.



DC BIAS CABLES / RF CABLES WIRING
ILLUSTRATION 10

Rev 4

6. DC Bias Cables /RF Cables Wiring(Continued)

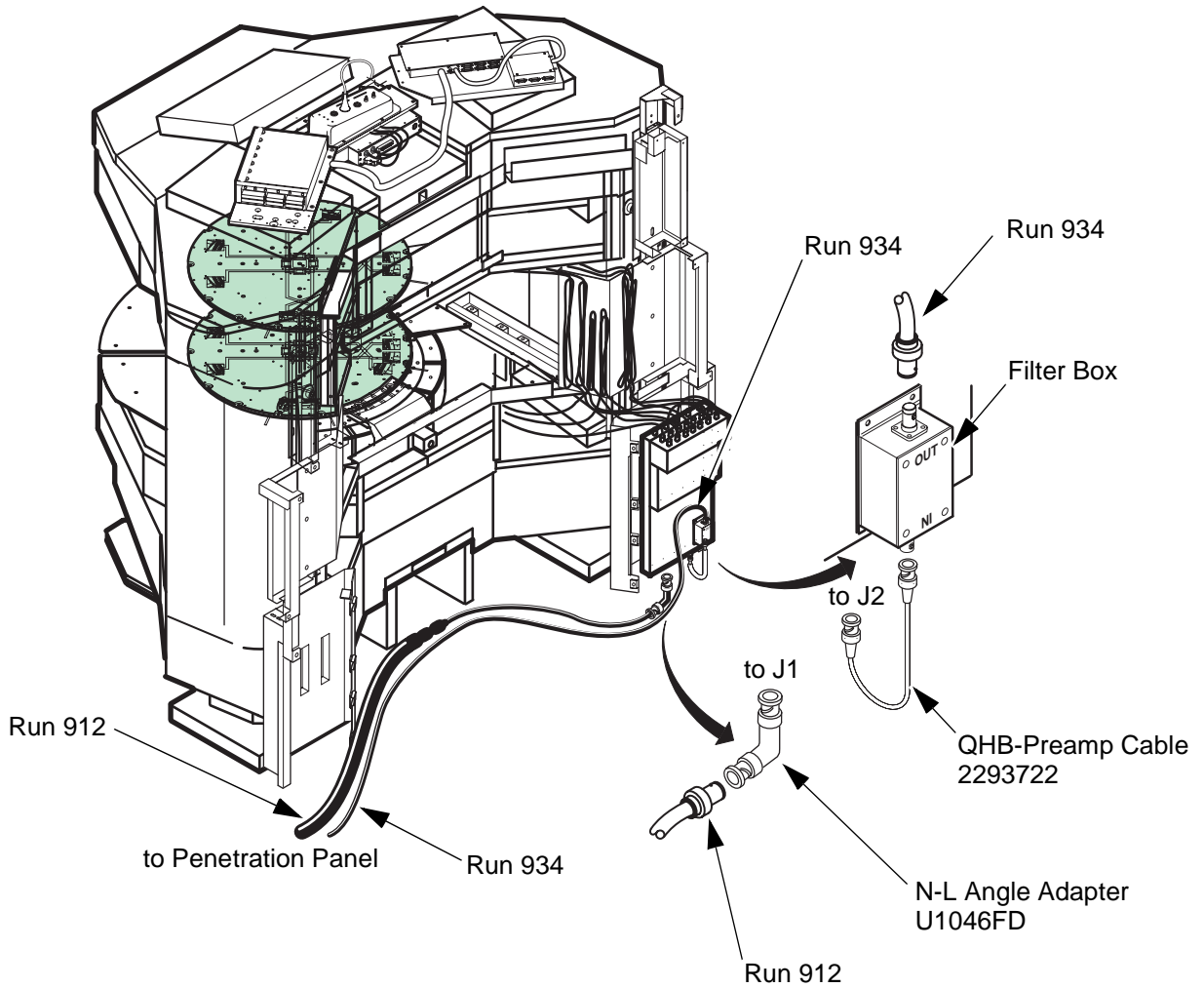


DC BIAS CABLES / RF CABLES WIRING(CONTINUED)
ILLUSTRATION 11

Rev 4

6. DC Bias Cables / RF Cables Wiring(Continued)

- 6. Connect Run 912 to J1 connector of QHB under side with N-L Angle Adapter(U1046FD).
- 7. Connect QHB-Preamp Cable to J2 connector of QHB and input side of filter box.
- 8. Connect Run 934 to output side of filter box.



DC BIAS CABLES / RF CABLES WIRING(CONTINUED)
ILLUSTRATION 12

Revision History

Rev	Date	Author	Primary Reasons For Change
0	Mar 09, 2001	K.Tsumagari	Initial Release
1	May 19, 2001	K.Tsumagari	Misc Change
2	Jan 07 , 2002	K.Tsumagari	Misc Change
3	July 16 , 2002	Y. Masumo	P3: Added Caution for MFO3 Body Coil
4	Nov 26 , 2002	Y. Masumo	P16: Added Body Coil Seal Attachment