

TABLE OF CONTENTS

Table of Contents	1
1.Overview	2
2.Preparation	2
3.Front and/or Rear MIC.....	3
4.Front MIC.....	4
5.Rear MIC.....	7
6.Restoration	9



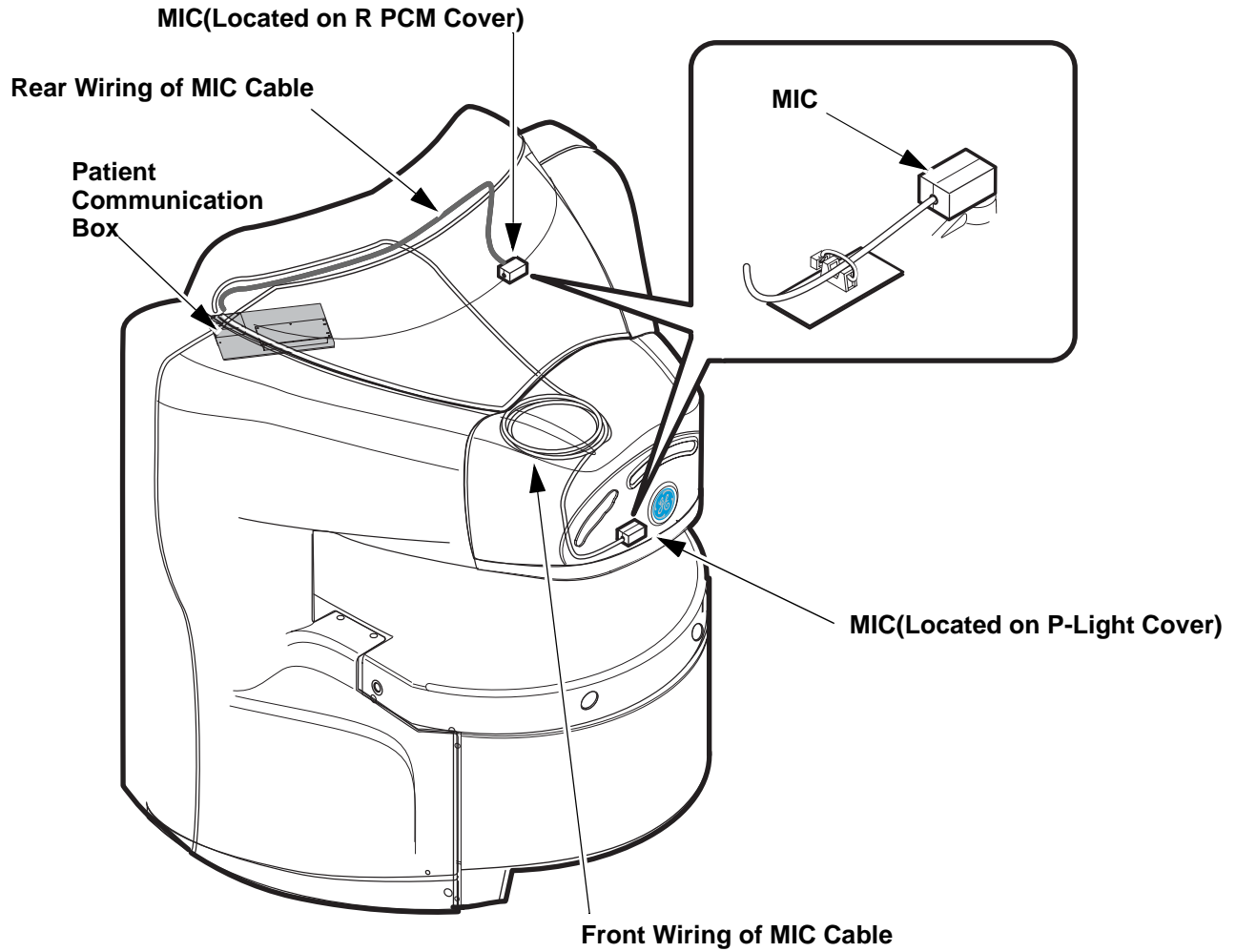
FERROUS MATERIAL HAZARD! THE CRIMP TOOL, AND OTHER TOOLS AND PARTS REQUIRED FOR THIS INSTALLATION CONTAIN FERROUS MATERIAL AND WILL BE STRONGLY ATTRACTED TO MAGNET AND MAY BECOME DANGEROUS PROJECTILES. IF MAGNET IS AT FULL FIELD – KEEP ALL FERROUS TOOLS AT LEAST 10 FEET AWAY FROM THE MAGNET.

Rev 2

1. Overview

This document describes MIC replacement located on P-light cover and R PCM Cover. The MIC and cable are assembly. The MIC cables are connected to patient communication box on the magnet.

MIC Location:



2. Preparation

Turn SSM Breaker OFF at Power Cabinet PDU.

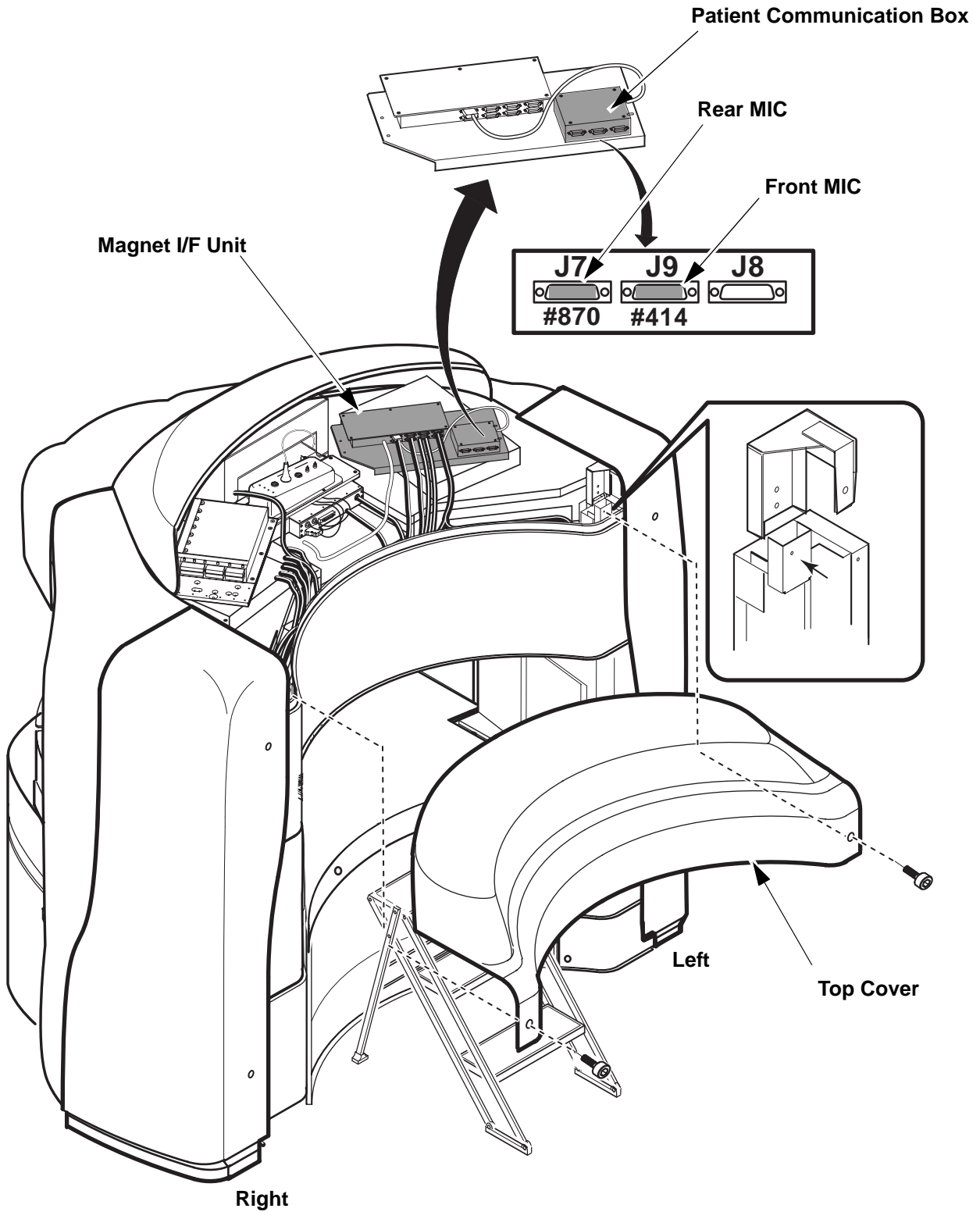
Required Tool:

Items	Qty	Type/Parts Number	Part
Metric Allen Wrench Set	1	Non ferrous	Covers
Nipper	1	Non ferrous	MIC on Cover
Tie-Wrap			MIC on Cover

Rev 2

3. Front and Rear MIC

1. Remove Top Cover by removing 2 caps and 2 screws(U0438AA).
2. Disconnect J7(Rear MIC) and/or J9(Front MIC) from patient communication box.

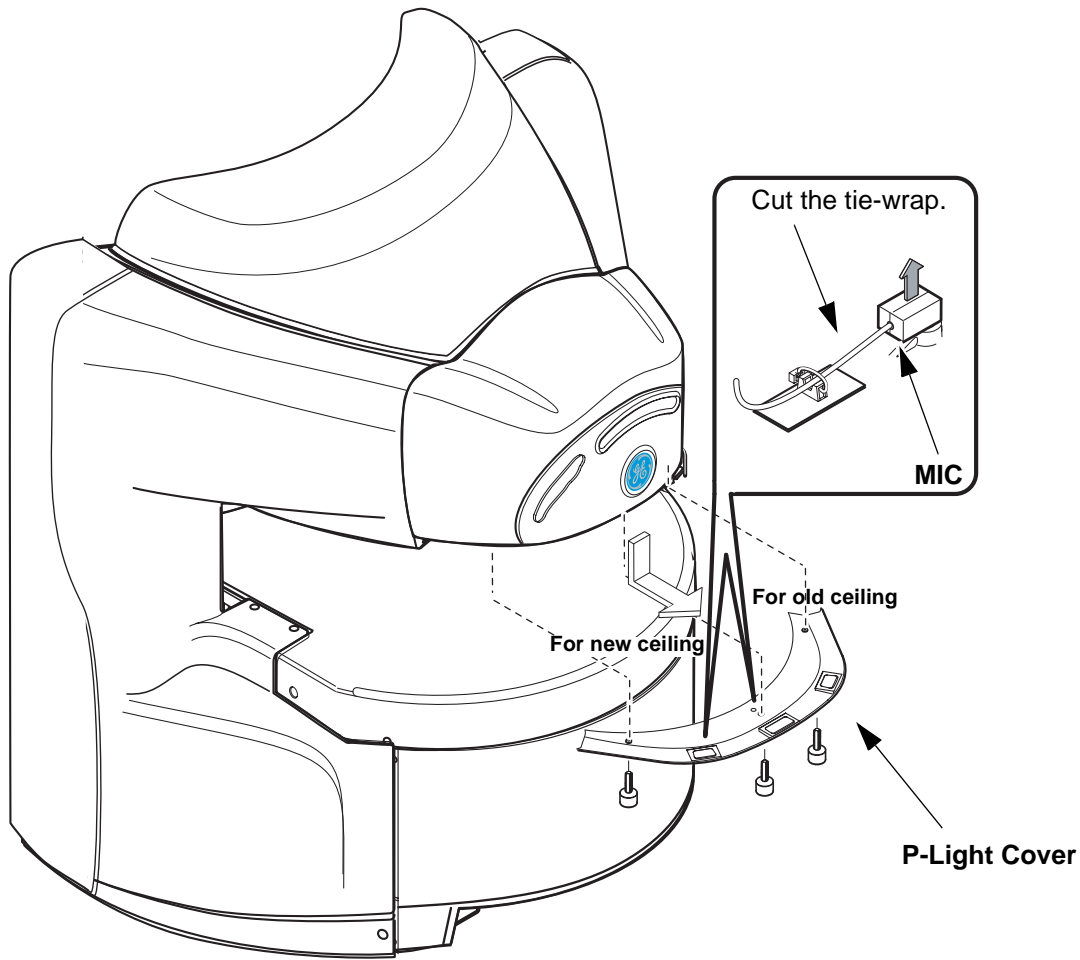


FRONT AND REAR MIC REPLACEMENT
ILLUSTRATION 1

Rev 2

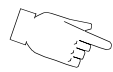
4. Front MIC

1. Remove P-light cover by removing 3 screws.
2. Cut the tie-wrap and remove the MIC from P-light cover.



Microphone is located at the center of the cover

Microphone is located at the left of P-light window.



Old Ceiling Cover



New Ceiling Cover

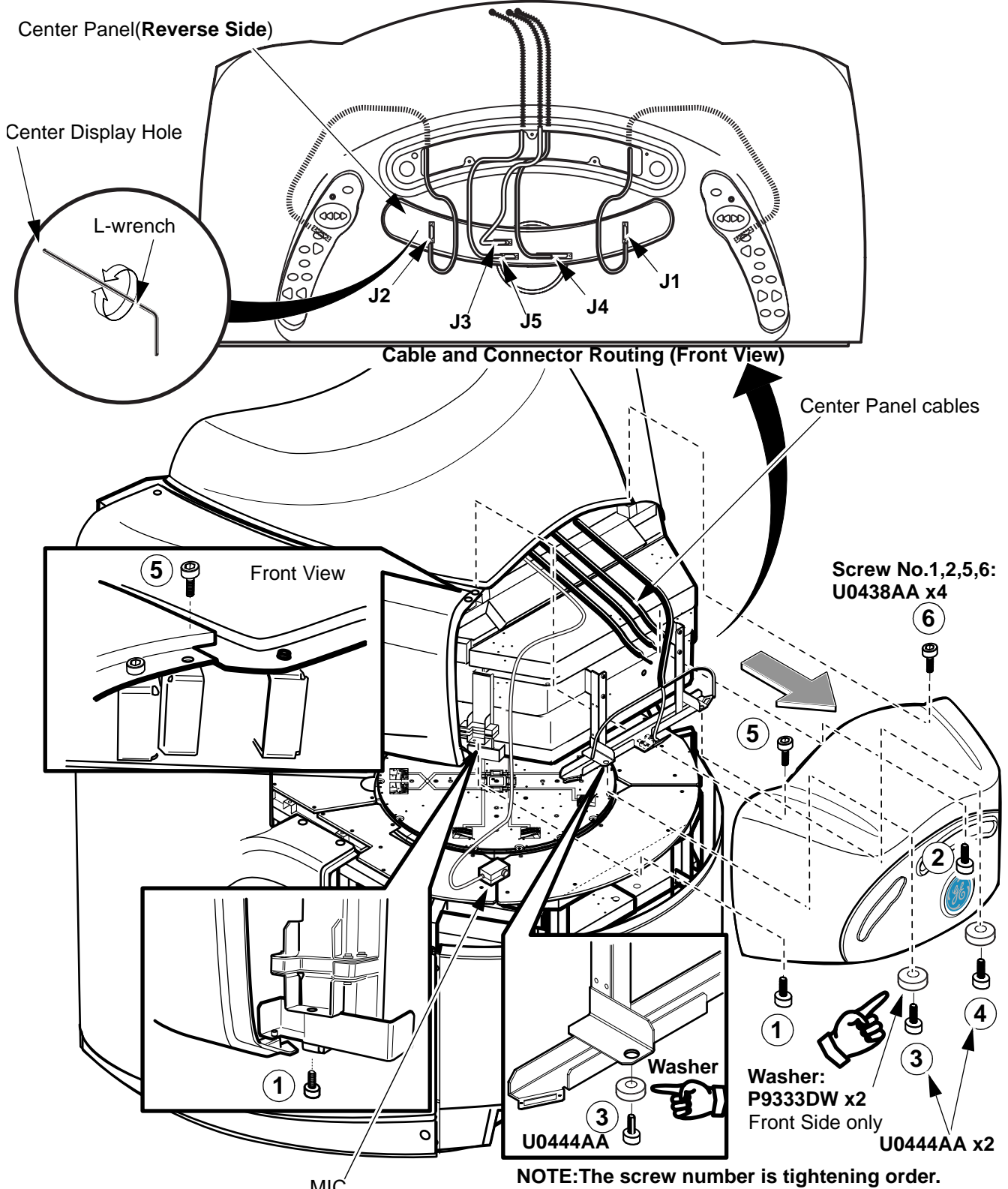
FRONT MIC REPLACEMENT ILLUSTRATION 2

Rev 2

4. Front MIC(Continued)

- 3. Remove center display from front cover using 3 mm L-wrench.
- 4. Disconnect all connectors from back panel of center display.
- 5. Remove front cover by removing 6 screws(U0438AA /U0444AA x2) and 2 washers(P9333DW).

Center Panel(Reverse Side)



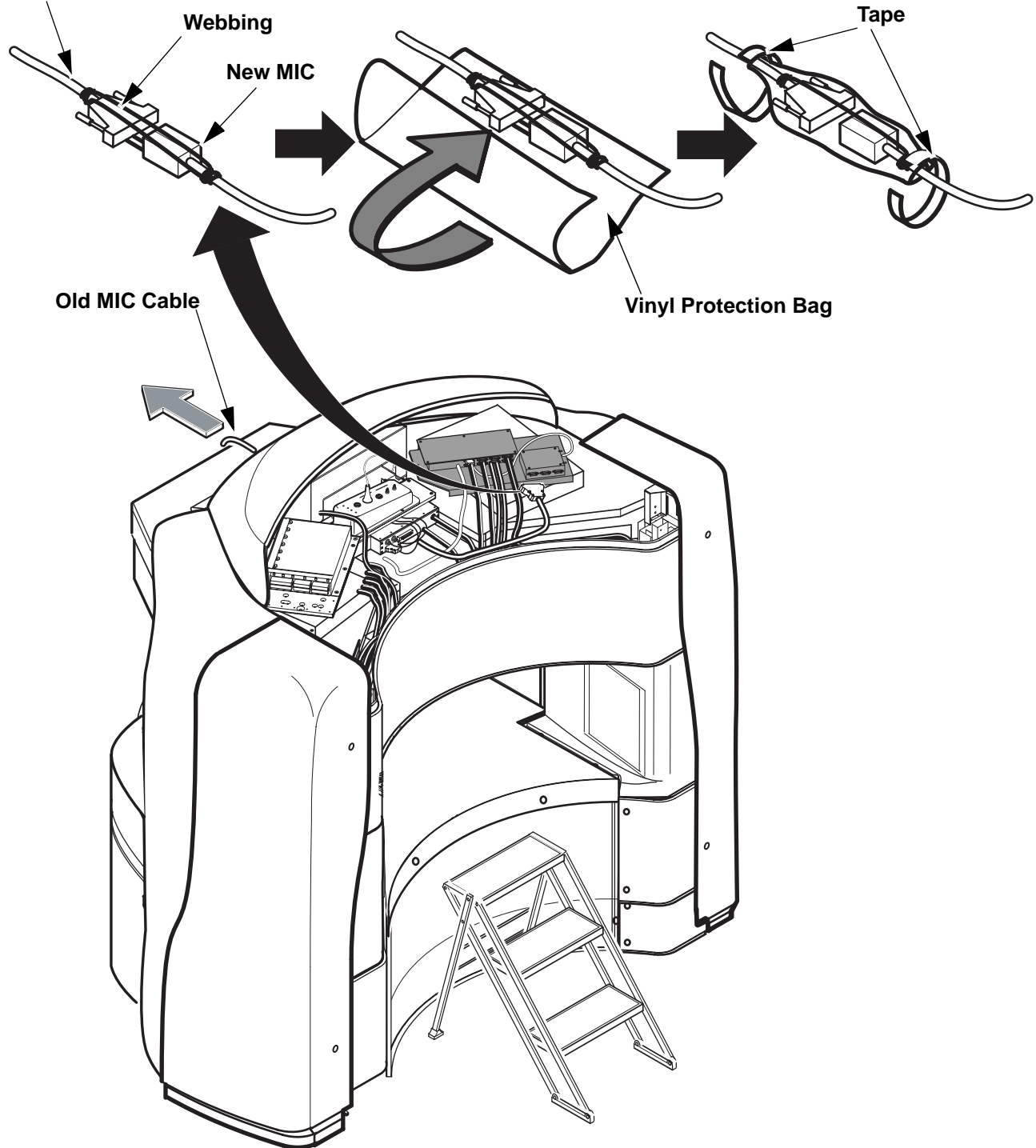
FRONT MIC REPLACEMENT ILLUSTRATION 3

Rev 2

4. Front MIC(Continued)

6. Tie new MIC cable and old MIC connector with webbing as illustration.
7. Wrap MIC and connector with vinyl protection bag etc., and fix it with tape.
8. Withdraw old MIC cable until new MIC setting position from front side.
9. Remove tape,vinyle protection bag and webbing from MIC cables.
- 10.Installation is reverse order of removal.

Old MIC



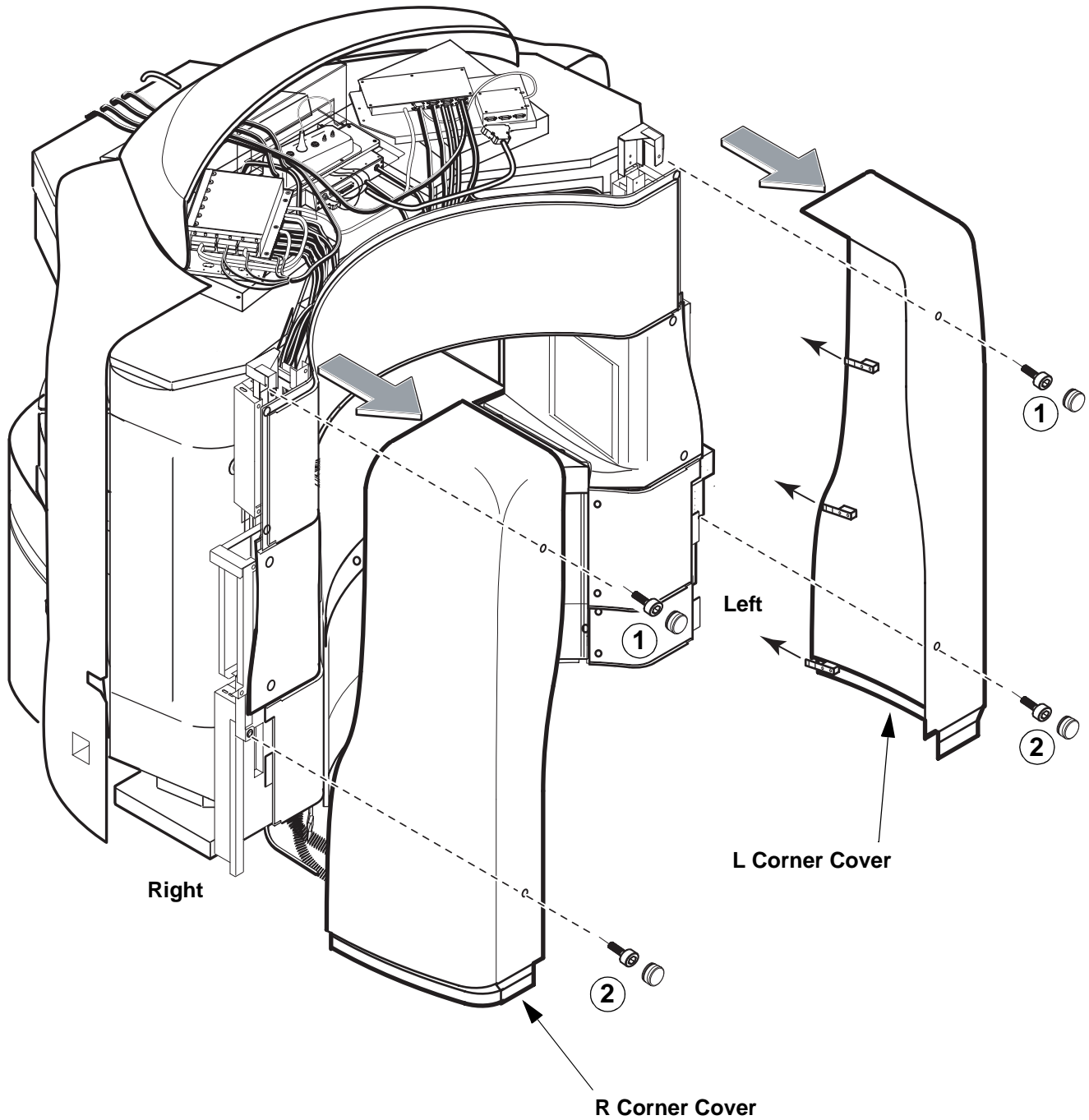
**FRONT MIC REPLACEMENT
ILLUSTRATION 4**

Rev 2

5. Rear MIC

1. Remove R and L Corner Covers by removing 4 screws(U0438AA) and caps.

NOTE:The number is tightening order of screw.



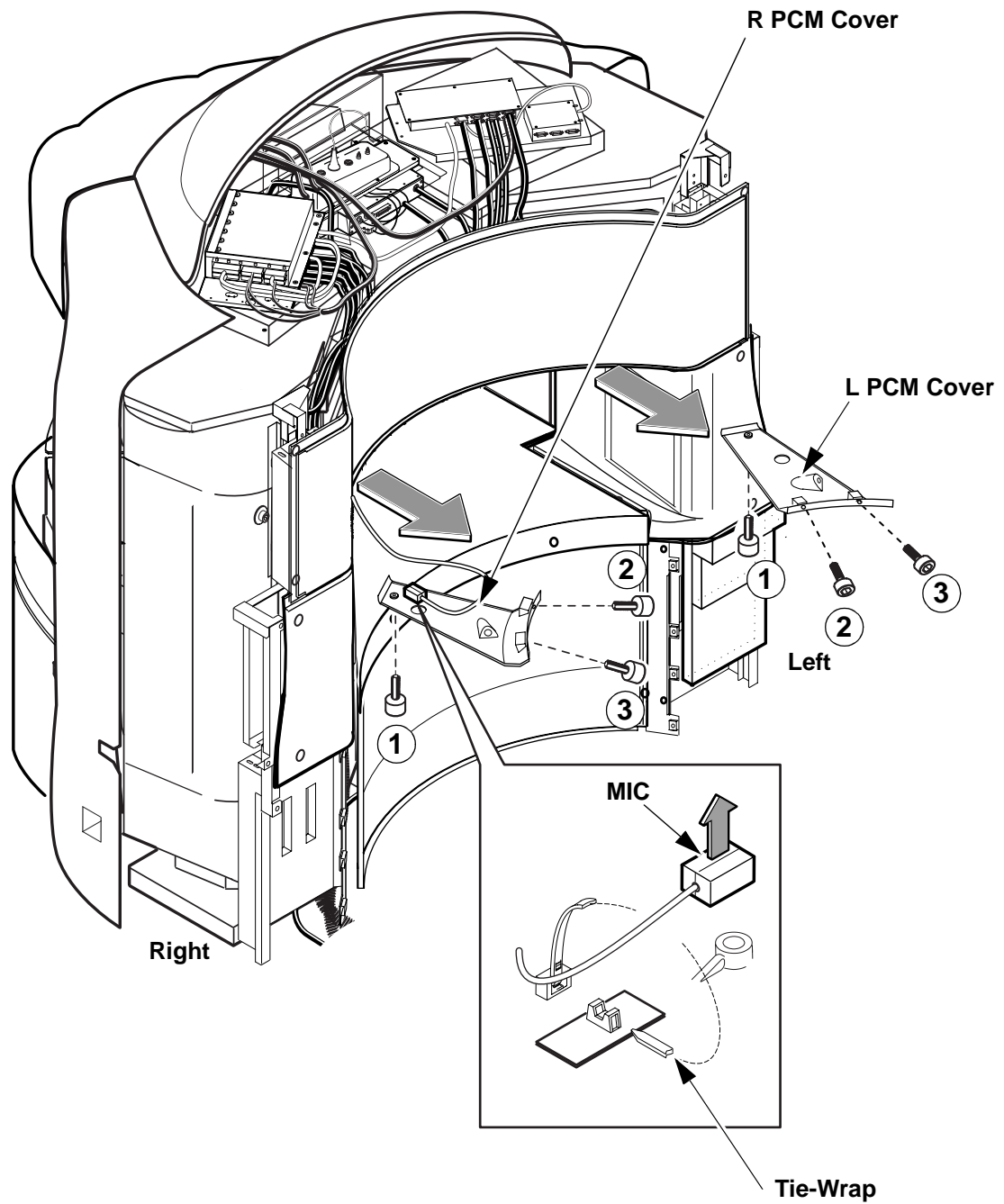
REAR MIC REPLACEMENT
ILLUSTRATION 5

Rev 2

5. Rear MIC(Continued)

2. Remove R and L PCM Covers by removing 3 screws(U0438AA) and 3 caps for each side.
3. Cut the tie-wrap fixing MIC cable.
4. Remove MIC from R PCM cover.

NOTE: The number is tightening order of screw.



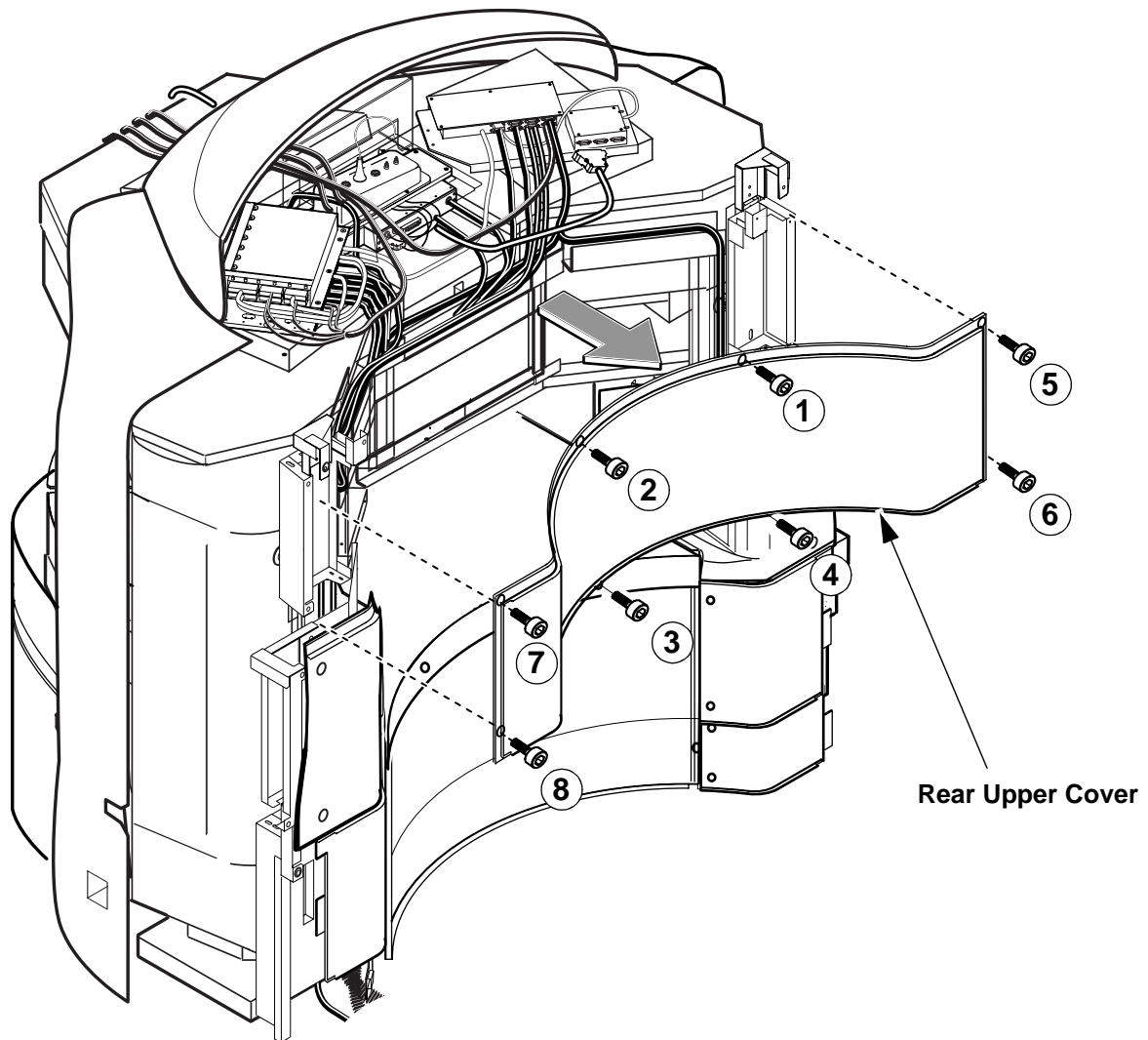
**REAR MIC REPLACEMENT
ILLUSTRATION 6**

Rev 2

5. Rear MIC(Continued)

5. Remove Rear Upper Cover by removing 8 screws(U0438AA).
6. Install new MIC, and fix MIC cable to R PCM cover with tie-wrap.
7. Installation is reverse order of removal.

NOTE:The number is tightening order of screw.



**REAR MIC REPLACEMENT
ILLUSTRATION 7**

6. Restoration

1. Turn SSM Breaker ON at Power Cabinet PDU.
2. Check that MIC function is OK.

Revision History

Rev	Date	Author	Primary Reasons For Change
0	Oct. 15, 2001	K.Tsumagari	Initial Version
1	Jan. 09, 2002	K.Tsumagari	Page 5: Washers are added to fixing screw of front cover.
2	Dec. 07, 2002	Y.Masumo	Page 4: Added New Ceiling Information