

TABLE OF CONTENTS

Table of Contents 1
1.Overview 2
2.Preparation 2
3.Procedure..... 3
4.Restoration 4



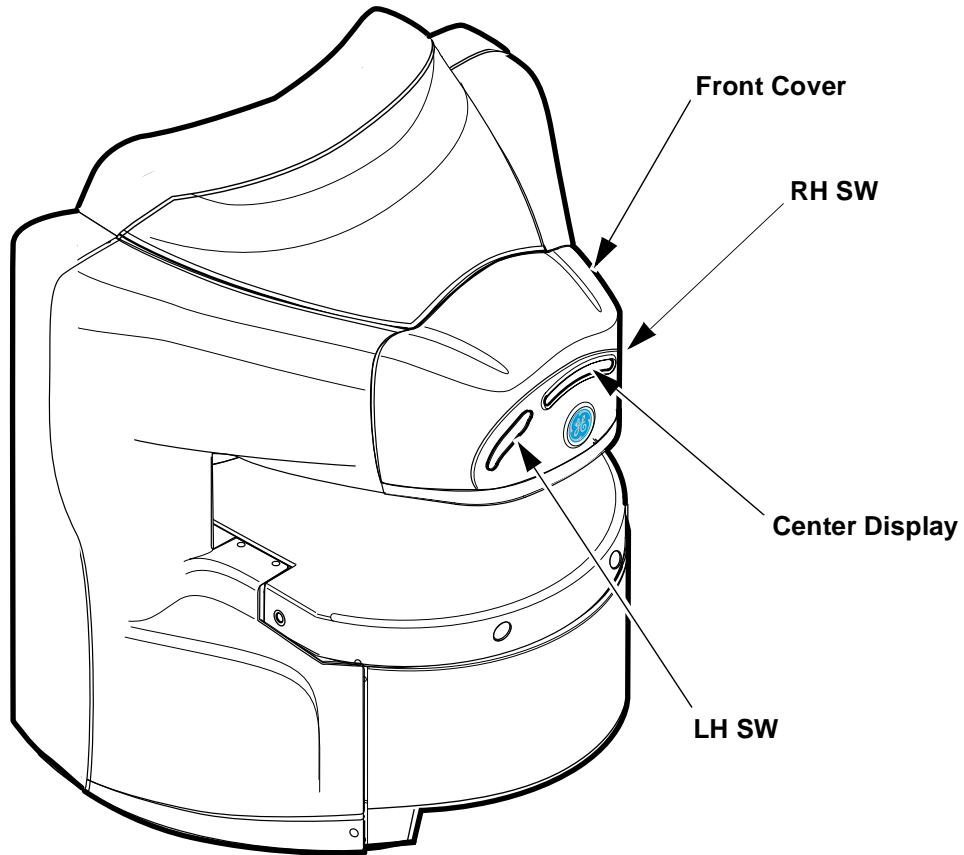
FERROUS MATERIAL HAZARD! THE CRIMP TOOL, AND OTHER TOOLS AND PARTS REQUIRED FOR THIS INSTALLATION CONTAIN FERROUS MATERIAL AND WILL BE STRONGLY ATTRACTED TO MAGNET AND MAY BECOME DANGEROUS PROJECTILES. IF MAGNET IS AT FULL FIELD – KEEP ALL FERROUS TOOLS AT LEAST 10 FEET AWAY FROM THE MAGNET.

Rev 0

1. Overview

This document describes center display,RH/LH SW replacement located on front cover.

Location:



2. Preparation

Turn System power OFF.

Required Tool:

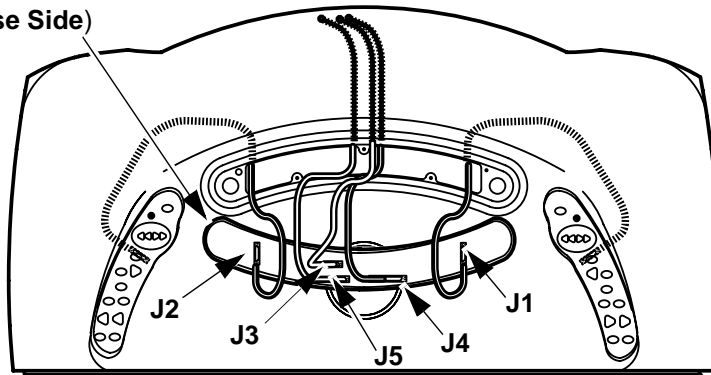
Items	Qty	Type/Parts Number	Part
3mm L-Wrench	1	Non ferrous	Center Display, RH SW and LH SW

Rev 0

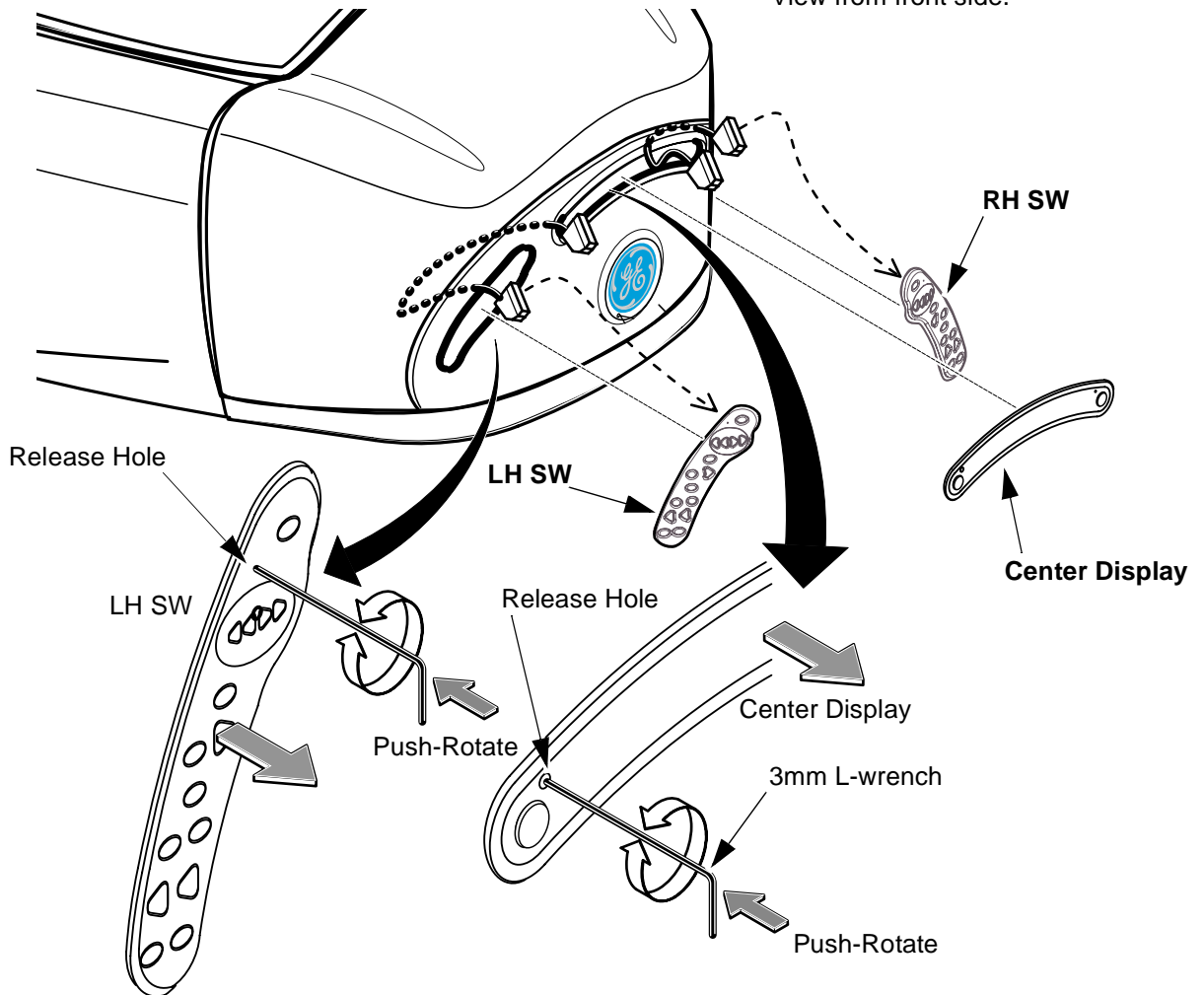
3. Procedure

1. Insert 3mm L-wrench into release hole on panel.
2. Rotate 3mm L-wrench.
3. Ply out panel from front cover.
4. Disconnect all connector from display reverse side.

Center Panel (Reverse Side)



View from front side.



**CENTER DISPLAY / RH SW / LH SW REPLACEMENT
ILLUSTRATION 1**

Rev 0

4. Restoration

1. Restore panel to reverse order of removal.
2. Turn SSM Breaker ON at Power Cabinet PDU.
3. Check that panel function is OK.

Rev 0

Revision History

Rev	Date	Author	Primary Reasons For Change
0	Oct. 10, 2001	K.Tsumagari	Initial Version