

TABLE OF CONTENTS

TABLE OF CONTENTS	1
1- OVERVIEW	2
2- SYSTEM SHUTDOWN	2
3- EMERGENCY STOP	3
4- EMERGENCY OFF	4
REVISION HISTORY	5

1- OVERVIEW

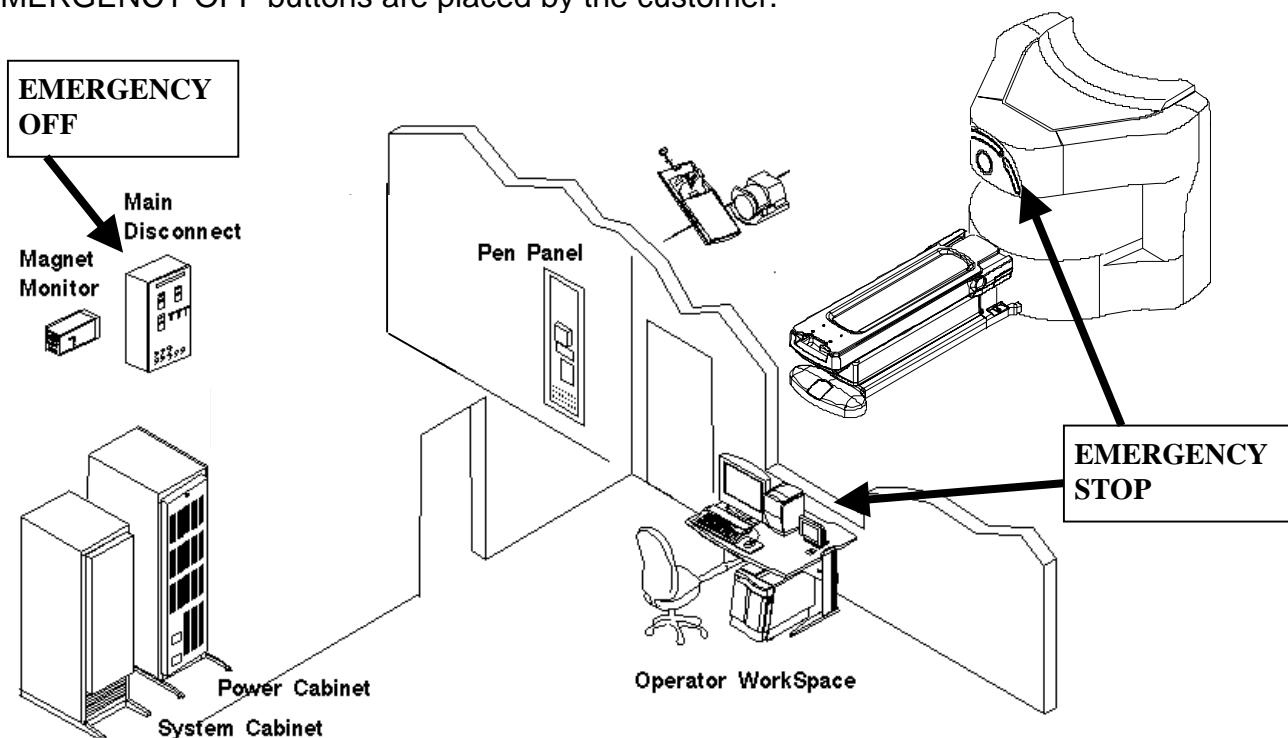
This document is for the 0.35T Signa Ovation system only.

This document provides the procedure for checking:

1. The EMERGENCY STOP function of the Power Distribution Unit (PDU) in the Power Cabinet (also known as GRFD Cabinet)
2. The EMERGENCY OFF function of the power for the entire Ovation system

The PDU EMERGENCY STOP buttons are located on the Operator Workspace Keyboard and on the Magnet Enclosure front cover (two buttons – left and right).

An EMERGENCY OFF button is located on the Main Disconnect Panel. The other EMERGENCY OFF buttons are placed by the customer.



PDU EMERGENCY STOP AND SYSTEM EMERGENCY OFF BUTTON LOCATIONS
ILLUSTRATION 1-1

2- SYSTEM SHUTDOWN

1. Shut down the PC by clicking on the [Start] button and selecting [Shut Down] and confirming the operation.
2. Shut down the Octane Workstation by going to the Service Desktop, clicking on [System Shutdown], and confirming the operation.

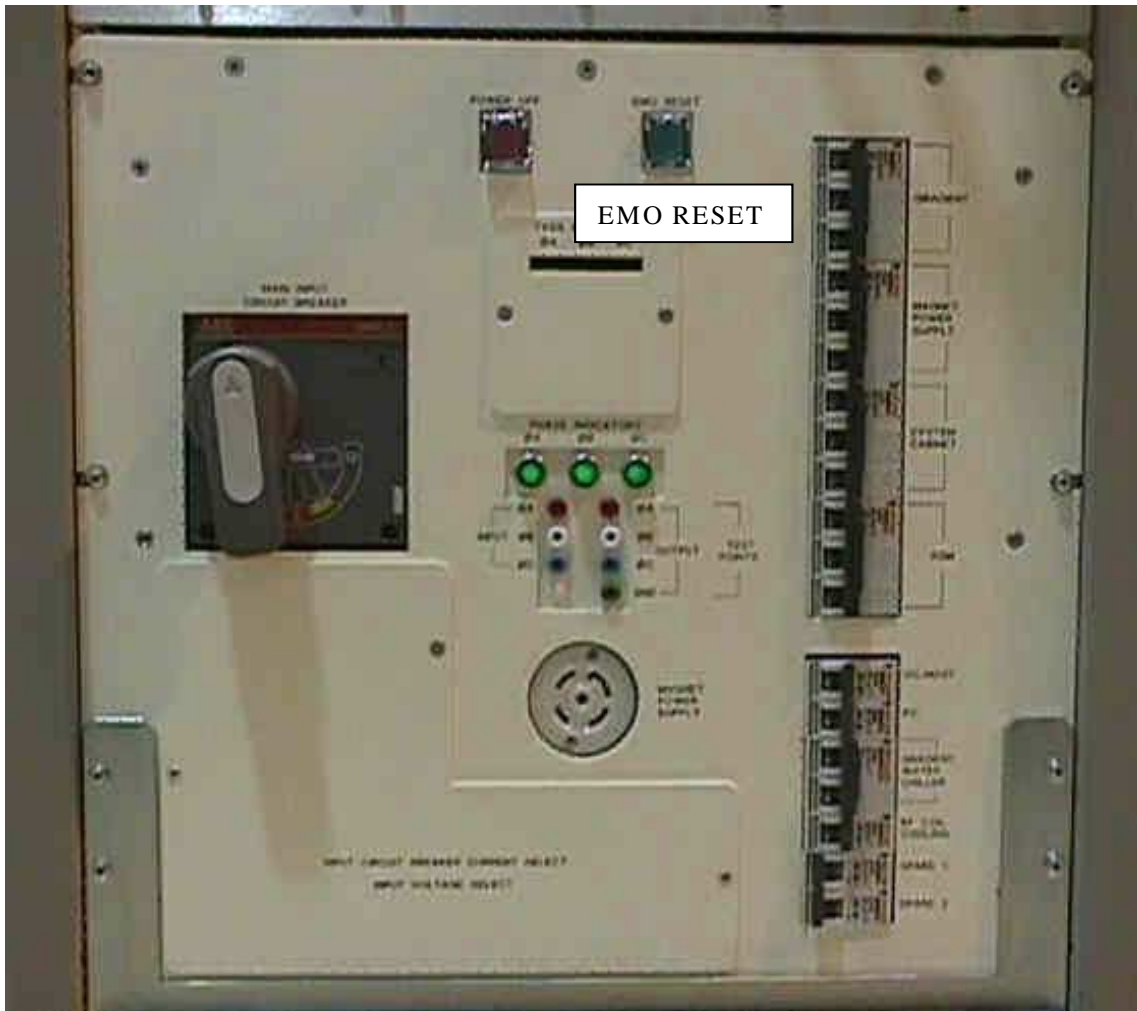
3- EMERGENCY STOP

1. Press one of the EMERGENCY STOP buttons.



EMERGENCY STOP LOCATIONS
ILLUSTRATION 3-1

2. At the Power Cabinet, verify that all the components above the PDU (Gradient and RF) shut off by checking that the fans stop. Also verify that the indicator LEDs on the Magnet Enclosure shut off.
3. On the PDU, press the EMO Reset Button (See Illustration 3-2) to turn them back on.
4. Repeat steps 1 through 3 for each of the other EMERGENCY STOP buttons.



PDU
ILLUSTRATION 3-2

4- EMERGENCY OFF

1. Press one of the EMERGENCY OFF buttons (locations of buttons are determined by customer).
2. Verify that all components shown in Illustration 1-1 of the system power off (System Cabinet, Power Cabinet, System Cooling Cabinet, Main Disconnect Panel, and Pen Panel). Check that all the lights and indicators shut off.
3. On the Main Disconnect Panel, press the PDU POWER ON button. The rest of the system should automatically power on. (If it does not, then press the Shield Cooler/TCU Power On button).
4. On the PDU, Press the EMO RESET button.
5. Repeat steps 1-4 for the other EMERGENCY OFF buttons.

REVISION HISTORY

REV	DATE	AUTHOR	PRIMARY REASONS FOR CHANGE
0	Mar 17, 2000	Y. Masumo	Initial Release