

Signa Ovation System Interconnect - 0.35T (FIXED SITE)

- 1 CUSTOMER FURNISHED
- 2 TYPICAL CONNECTION FOR NORMALLY CLOSED EMERGENCY OFF SWITCH
- 3 MDP, EO1/E02 and RUN #296/#297 are used only high voltage.(over 380V)
- 4 RUN #1009 is connected to MDP, if exist.
- 5 OPTIONAL: MAY NOT BE PRESENT ON ALL SYSTEMS
- 6 CUSTOMER SUPPLIED TELEPHONE LINE FOR INSITE MODEM

*** Denotes a newly assigned run number for HFO
 **** Denotes a newly assigned run number for MFO

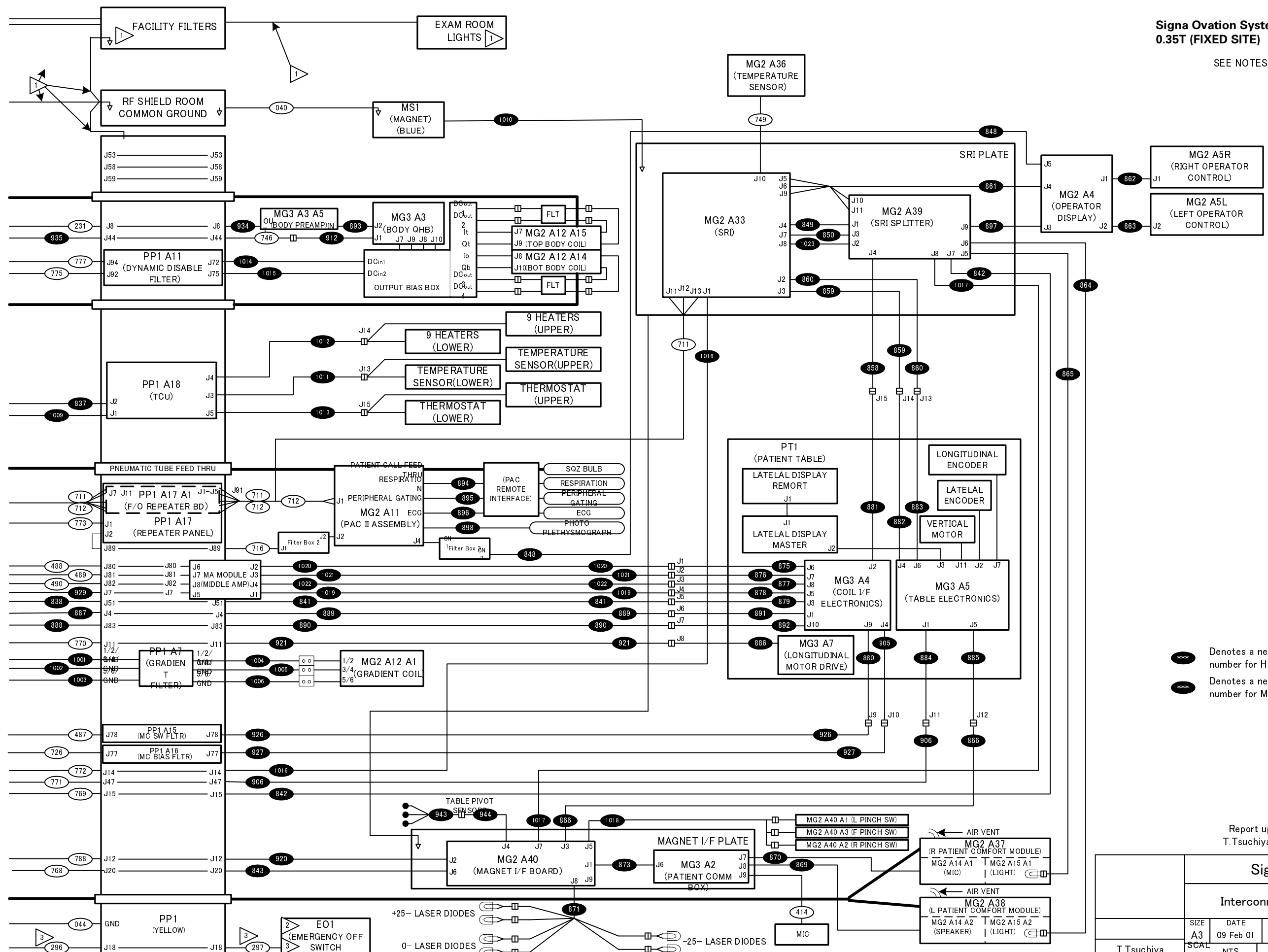
CONTINUED ON NEXT PAGE →

Report updates for this diagram to T.Tsuchiya at Tel. +81-42-585-5326

Signa Ovation			
Interconnect Diagram, MFO			
SIZE	DATE	DWG NO	REV
A3	09 Feb 01		0
SCALE	NTS	SHEET	1 of 2
T.Tsuchiya			

Signa Ovation System Interconnect - 0.35T (FIXED SITE)

SEE NOTES ON PAGE 1



*** Denotes a newly assigned run number for HFO
 *** Denotes a newly assigned run number for MFO

Report updates for this diagram to T.Tsuchiya at Tel. +81-42-585-5326

Signa Ovation			
Interconnect Diagram, MFO			
SIZE A3	DATE 09 Feb 01	DWG NO	REV 0
SCALE E	NTS	SHEET	2 of 2
T.Tsuchiya			