

TABLE OF CONTENTS

TABLE OF CONTENTS	1
1- Preparation	2
1-1Overview	2
1-2Required Tool	2
1-3Flowchart	2
2- Phantom Setting	3
3- Run the Warm Up Scan	4
4- Troubleshooting	5
4-1Download Failure	5
4-2Auto Prescan Failure	6
4-3If the Warm Up Scan program is run twice or more... ..	6

1. Preparation

1-1 Overview

The initial value of Center Frequency and Gradient Shim can be adjusted by Warm Up Scan.

Warm up scan performs the auto prescan three times and find the proper values of Center Frequency and Gradient Shim automatically. These values are saved as a initial value.

Note

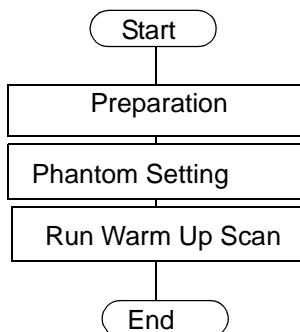
1. Do not run the "Warm Up Scan" while Scan or Auto Prescan is proceeding.
2. Warm Up Scan program proceed "End Exam" if the Scan Screen is opened.
3. Head Coil must be used.
4. Do not touch the Scan Desktop while Warm Up Scan is running. (System Reset may be needed if it is performed)
5. Do not run the Warm Up Scan twice or more at the same time. (If it is performed, refer to "Possible Error about Warm Up Scan" at the last page of this document.)

1-2 Required Tool

TABLE 1-1
REQUIRED TOOL

Item	Part Name	
1	Head Coil	
	W200 Phantom	

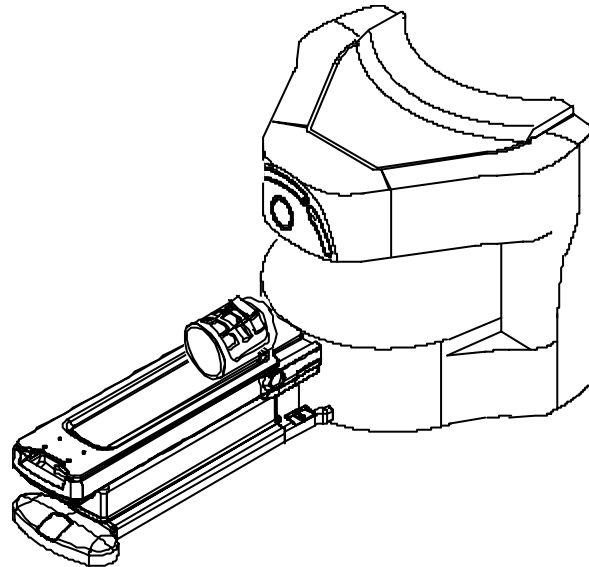
1-3 Flowchart



GRAFIDY FLOWCHART
ILLUSTRATION 1-1

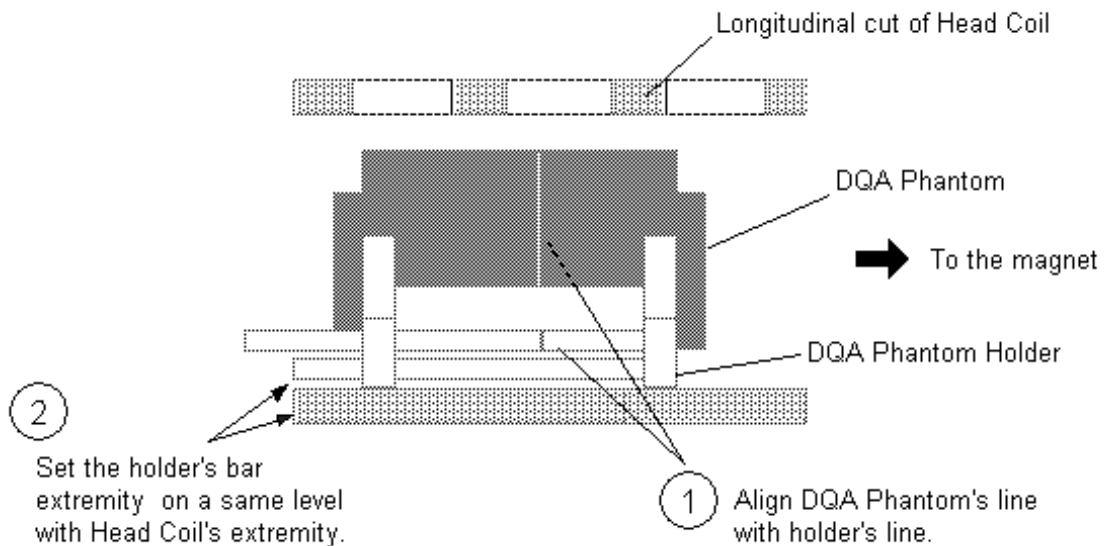
2. Phantom Setting

1. Set the Head Coil on the Cradle.



HEAD COIL POSITIONING
ILLUSTRATION 1

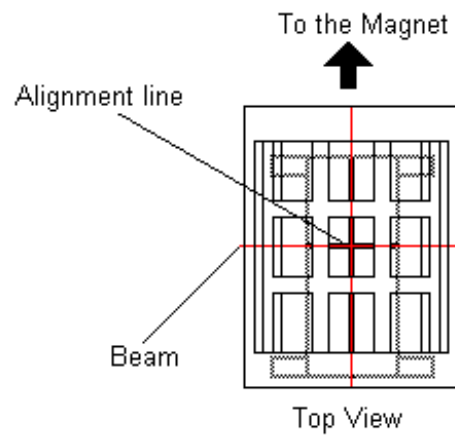
2. Set the DQA phantom and phantom holder according to the following illustration.



DQA PHANTOM SETTING
ILLUSTRATION 2

2. Phantom Setting (continued)

3. Landmark in the sagittal and axial planes.

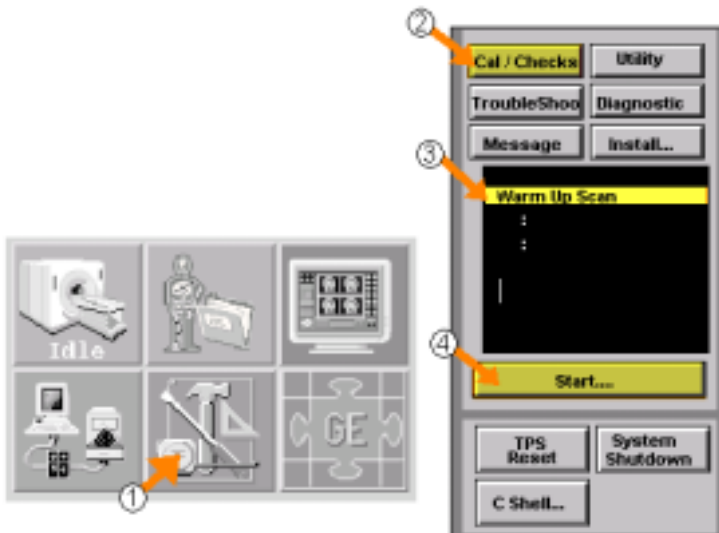


ALIGNMENT LIGHT
ILLUSTRATION 3

4. At front enclosure on scanner, press LANDMARK, then MOVE TO SCAN.

3. Run the Warm Up Scan

1. Select [**Service Desktop**] Icon.
2. Select [**Cal/Checks**] .
3. Select [**Warm Up Scan**].
4. Select [**Start...**].



5. Warm Up scan menu will comes up on the screen. Hit [**Enter**] key..

Output/Prompts	Input/Comments
<pre>***** * Warm Up Scan * ***** Make sure the system is not scanning or prescanning. Warm Up Scan will force scan to do "End Exam". Do not select the Scan Desktop during Warm Up Scan. Start Warm Up Scan ? (Y,N) [Y]</pre>	<p>[Enter]</p>

6. Enter "**0**" and Hit [**Enter**] key. Warm Up scan will start automatically..

Output/Prompts	Input/Comments
<pre>Loading Warm Up Scan protocol ... Place the phantom(W200) in the Head Coil. Set Landmark to the middle of the phantom, then press [Advance to Scan]. OK ? (Y,N) [Y]</pre>	<p>0 [Enter]</p>

3. Run the Warm Up Scan (continued)

7. When Warm Up Scan is completed successfully, the following message comes up in the window. Hit **[Enter]** key to quit the program..

Output/Prompts	Input/Comments
<pre> Downloading ... Scanning ... ***** * Warm Up Scan completed successfully. * ***** Press [Enter] to quit --> </pre>	<p style="text-align: right;">[Enter]</p>

4. Troubleshooting

If any error occurs during the Warm Up Scan, refer to "Possible Error about Warm Up Scan".

4-1 Download Failure

If the download failure occurs, the following message comes up in the window..

Output/Prompts	Input/Comments
<pre> ***** * Warm Up Scan failed !! * ***** Download failed. Please check if the Head Coil is set. Please check if Landmark is set. Press [Enter] to quit --> </pre>	

Cause

There are two possibility about the download failure.

1. Warm Up scan is performed without using the Head Coil.
2. Landmark is not performed while the phantom Setting.

Click **[Enter]** to close the window.

If Head Coil is not set, pop up window to notice the error comes up.

In this case, Click **[ok]** and close the popup window.

4-2 Auto Prescan Failure

If the Auto Prescan failure occurs for some reason, the following message comes up in the window..

Output/Prompts	Input/Comments
<pre>***** * Warm Up Scan failed !! * ***** Auto Prescan failed. Please check phantom setting. Press [Enter] to quit --></pre>	<p>[Enter]</p>

Click [Enter] to close the window.

4-3 If the Warm Up Scan program is run twice or more... .

If the Warm Up Scan program is run while the other warm up scan is proceeding, the following message comes up in the window...

Output/Prompts	Input/Comments
<pre>Warm Up Scan has been running. Do you want to restart Warm Up Scan? [Y,N] [N]</pre>	

Click [Enter] to cancel the second warm up scan program.

If the "Y"+[Enter] is entered, the first warm up scan will be aborted and the second warm up scan program will run.

Revision History

Rev	Date	Auther	Primary Reasons For Change
A	Oct 17, 2000	Y. Masumo	Initial Version