

TABLE OF CONTENTS

- 1- Table Cable Duct Bracket Installation 2
- 2- Bottom Insulator Installation 1 3
- 3- Table Cable Duct Installation 4
- 4- Bottom Insulator Installation 2 5

Rev 2

1. Table Cable Duct Bracket Installation

1. Install the front Table Cable Duct brackets

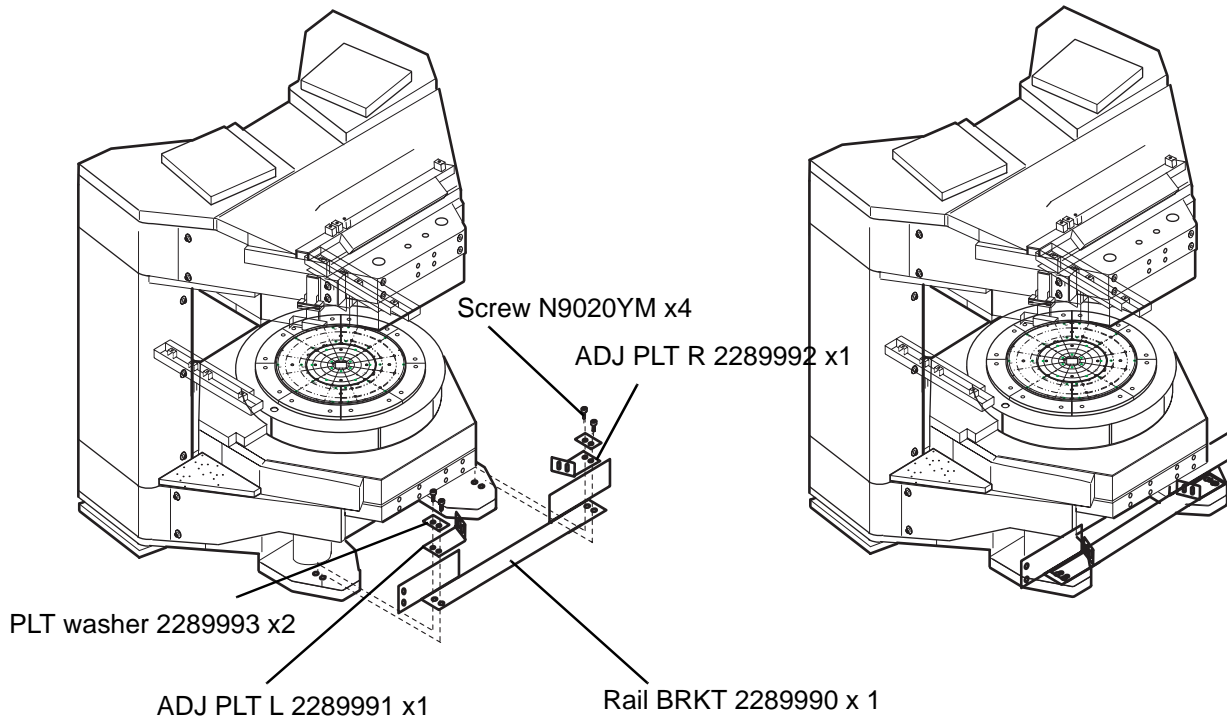
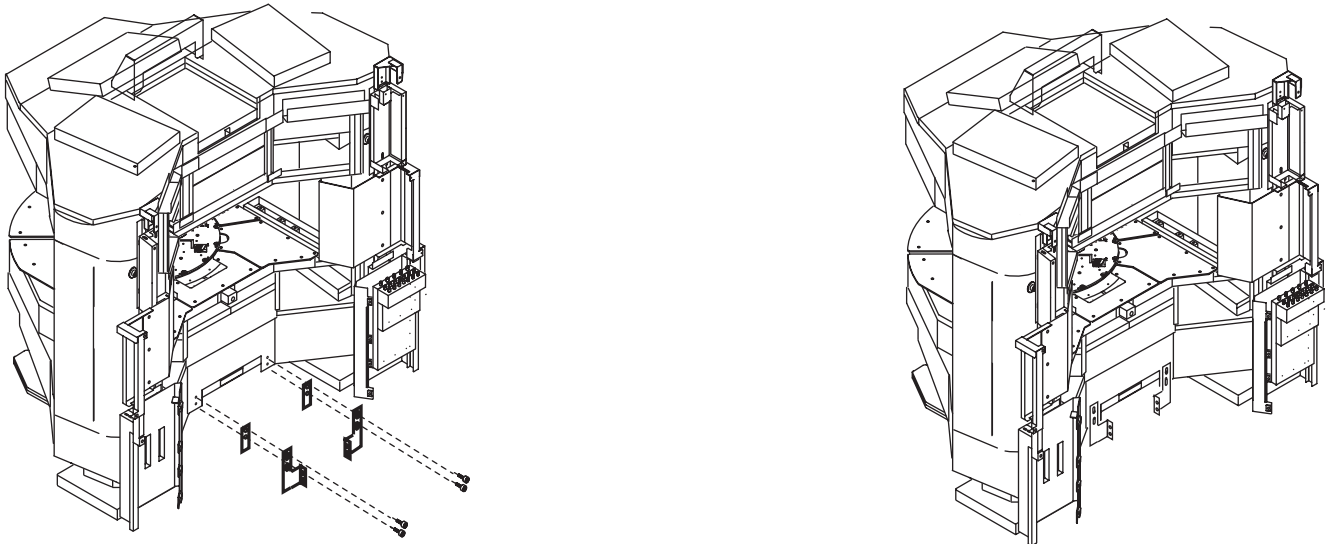


TABLE CABLE DUCT BRACKET (FRONT)
ILLUSTRATION 1

2. Install the rear Table Cable Duct brackets.



Rev 2

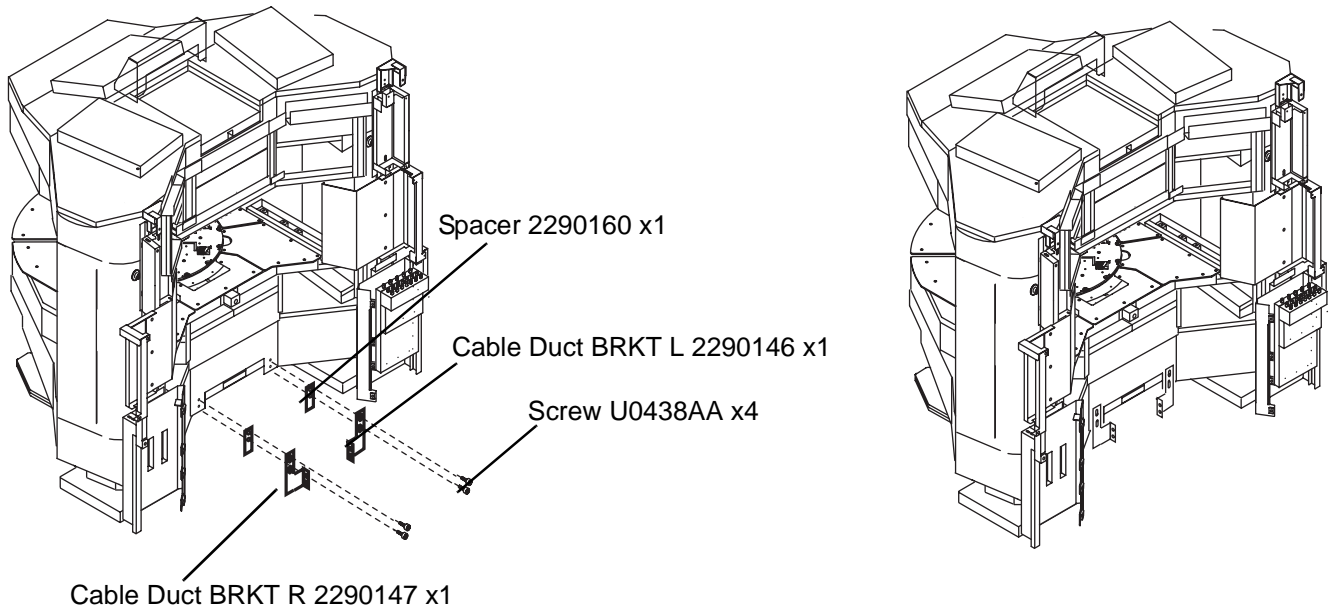
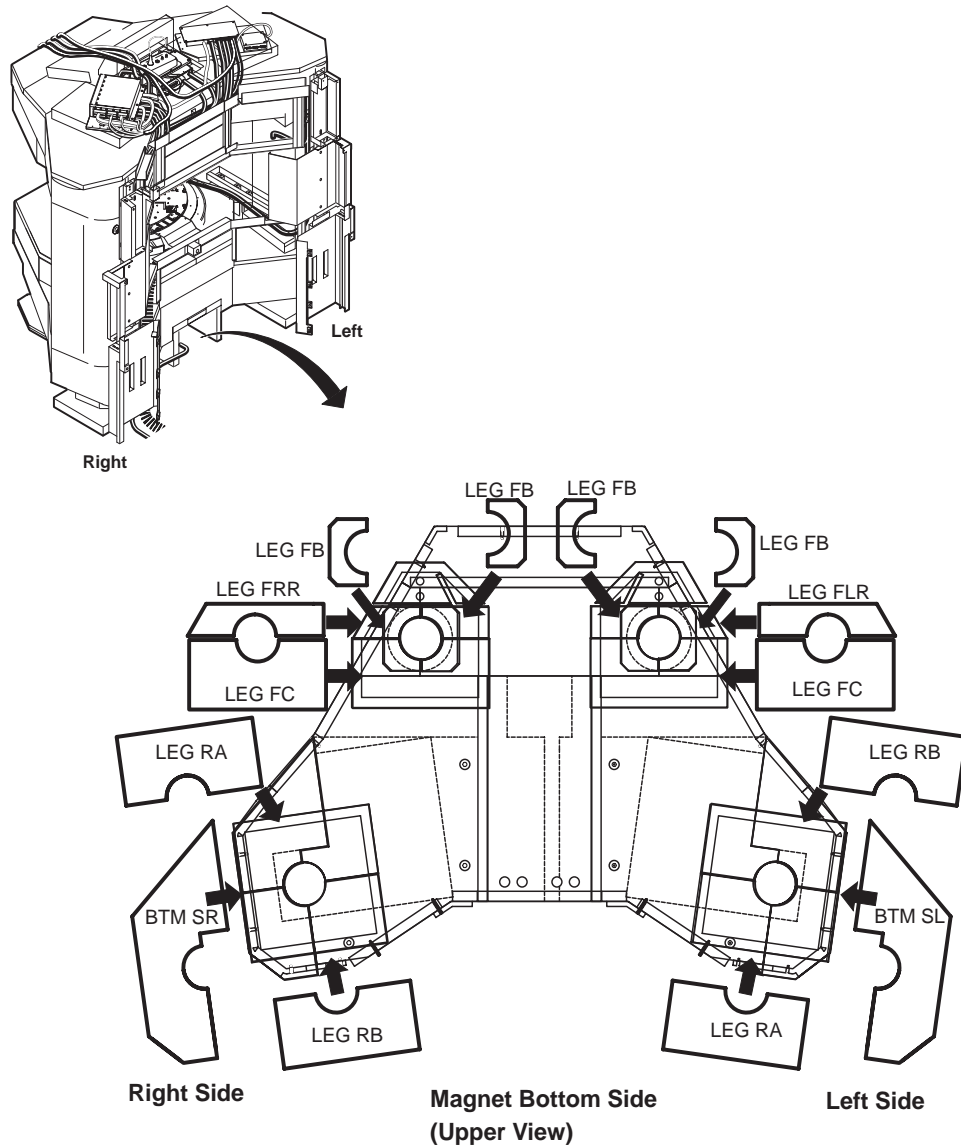


TABLE CABLE DUCT BRACKET (REAR)
ILLUSTRATION 2

Rev 2

2. Bottom Insulator Installation 1

1. Install bottom Insulators to the magnet as shown.



BOTTOM INSURATOR INSTALLATION 1
ILLUSTRATION 3

Rev 2

3. Table Cable Duct Installation

1. Install Table Cable Duct and fix it to the Front Bracket with four screws(U0438AA)

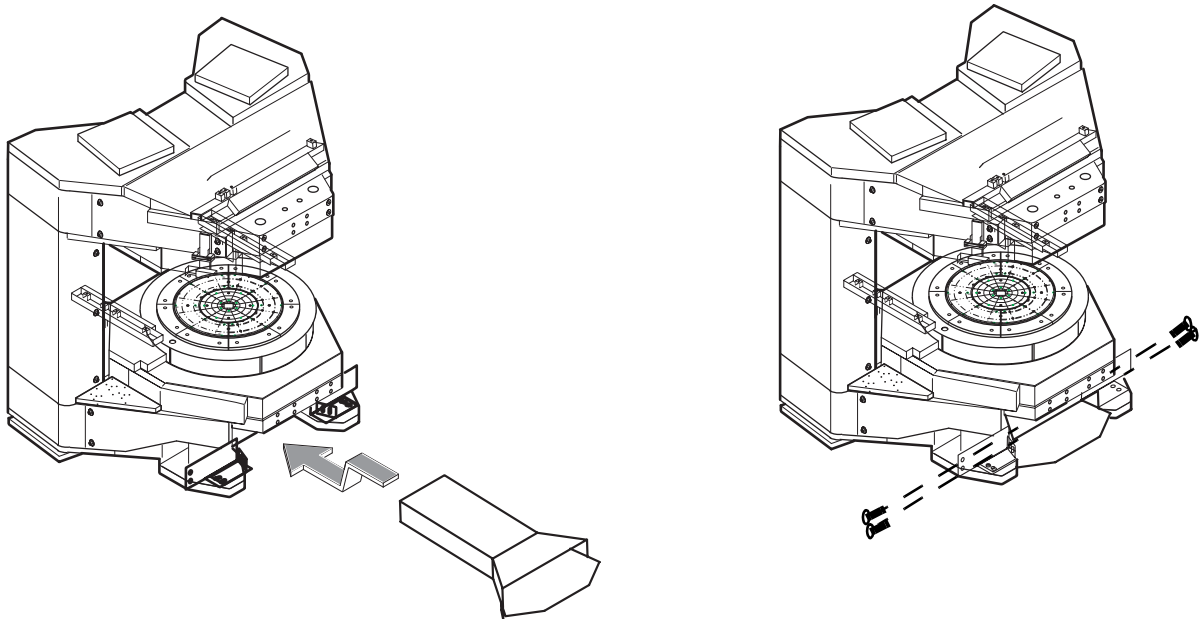


TABLE CABLE DUCT INSTALLATION
ILLUSTRATION 4

2. Fix Table Cable Duct to the Rear Bracket with four screws(U0438AA).

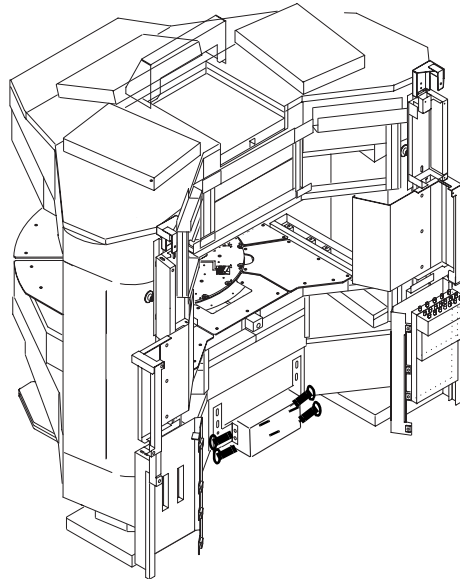
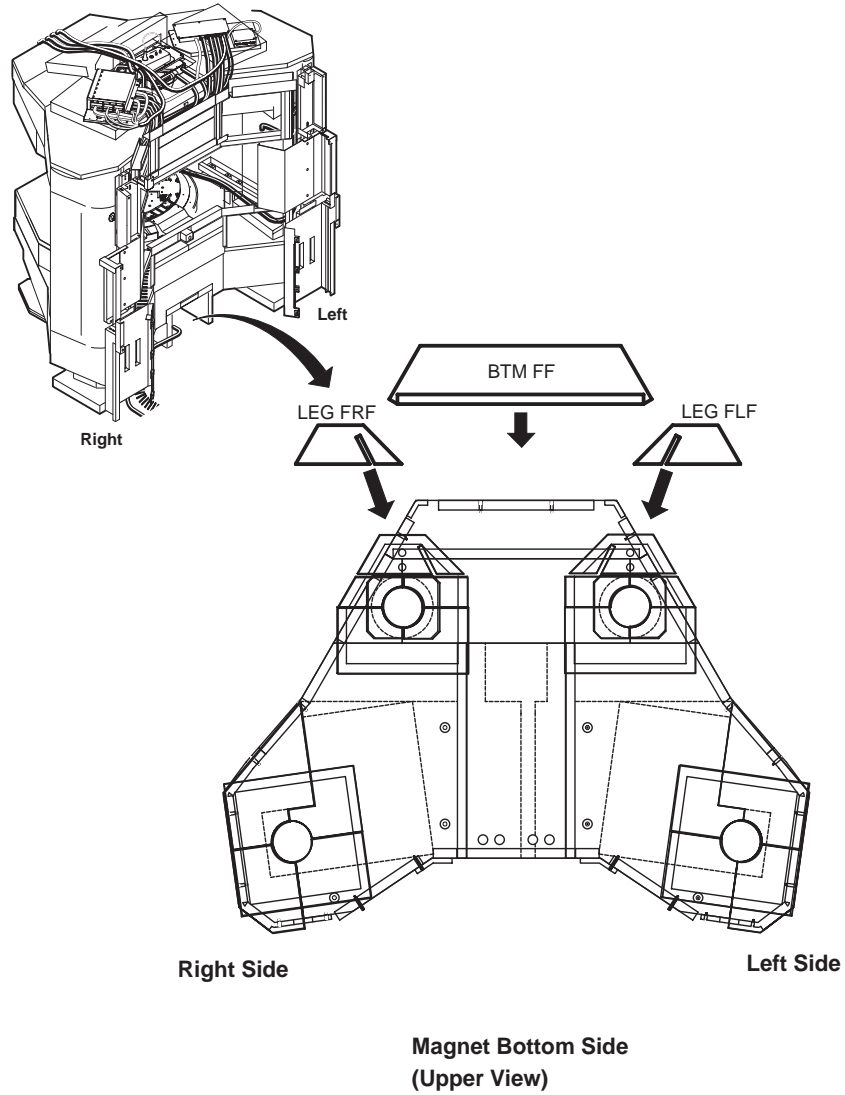


TABLE CABLE DUCT INSTALLATION
ILLUSTRATION 5

Rev 2

4. Bottom Insulator Installation 2

1. Install bottom Insulators to the magnet as shown.



BOTTOM INSULATOR INSTALLATION 2
ILLUSTRATION 6

Revision History

Rev	Date	Author	Primary Reasons For Change
0	Feb 12, 2000	Y. Masumo	Initial release
1	May 18, 2001	Y. Masumo	Added Bottom Insulator Installation
2	Sep 19, 2002	Y. Masumo	P2: Corrected illustration 1.