

TABLE OF CONTENTS

TABLE OF CONTENTS	1
1- TCU Final Temp Check	2
1-1 Overview	2
1-2 Preparation	2

Rev 0

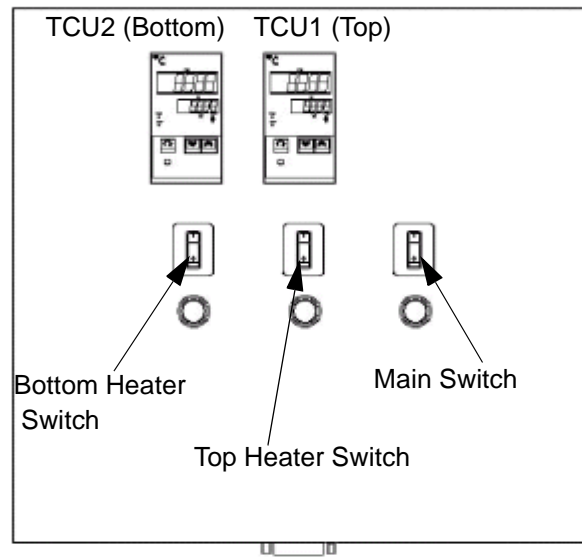
1. TCU Final Temp Check

1-1 Overview

This procedure describes how to check the Final Magnet Temperature by TCU.

1-2 Preparation

1. Verify that TCU1 and TCU2 displays target temperature and stabilized.



**TCU FRONT PANEL
ILLUSTRATION 1**

Rev 0

Revision History

Rev	Date	Author	Primary Reasons For Change
0	Feb 5, 2002	Y. Masumo	Initial Version