

# SC INSTALLATION

## TABLE OF CONTENTS

SECTION	TITLE	PAGE
1	CONNECT FIBER OPTIC RUNS 708, 710, 711/712, AND 836 TO I/F PANEL .....	1- 3
2	ROUTE/CONNECT FIBER OPTIC RUN 836 TO BIT3 MODULE .....	1- 4
3	ROUTE/CONNECT FIBER OPTIC RUNS 708, 710, AND 711/712 TO TYME II .....	1- 5
4	CONNECT POWER, GROUND, AND DATA CABLES .....	1- 6
5	INSTALL INSITE "SYSTEMS" CABINET MAGNET .....	1- 7

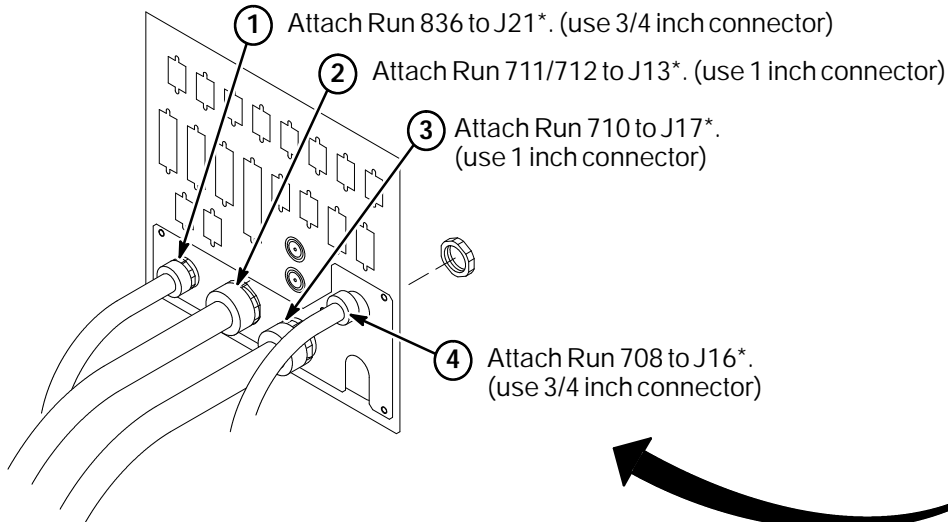
REV blank

- CONNECT FIBER OPTIC RUNS 708, 710, 711/712, AND 836 TO I/F PANEL

**CAUTION**

Handle fiber optic cables carefully. Do not bend fiber optic cables to radius smaller than two inches (50mm). Avoid scratching connector ends. Keep connectors protected until ready to connect.

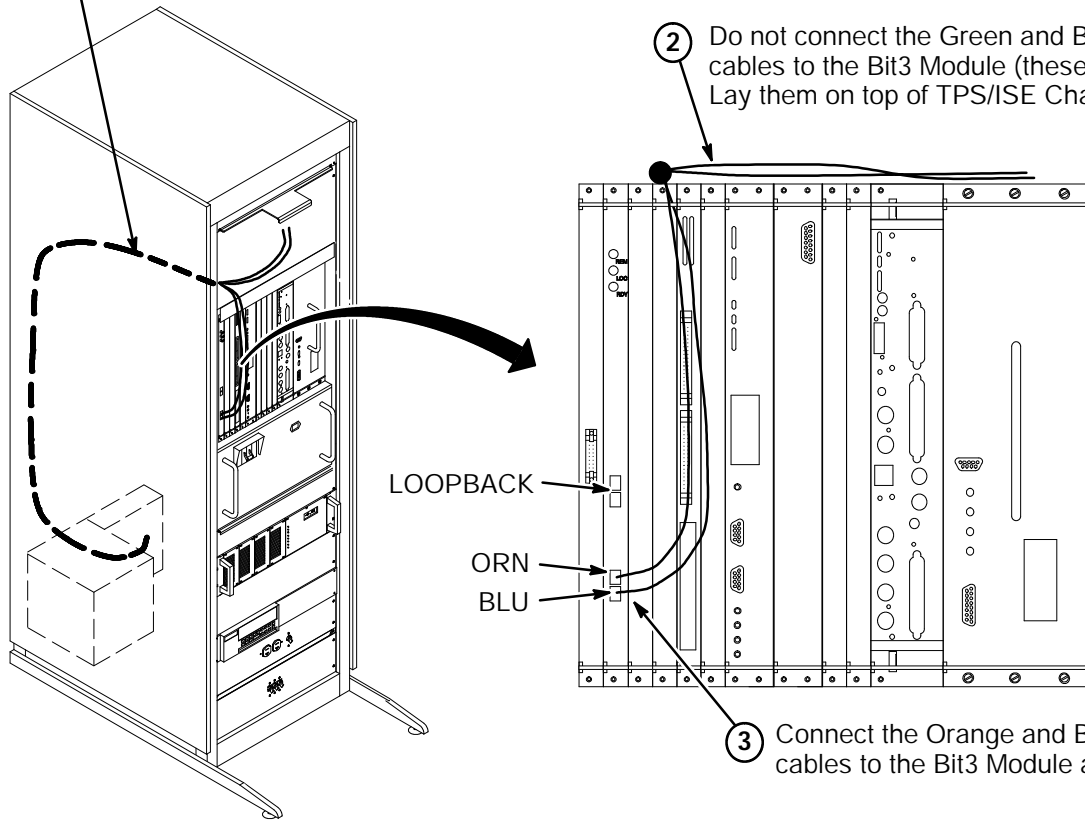
\* Instructions provided with connectors.



**- ROUTE/CONNECT FIBER OPTIC RUN 836 TO BIT3 MODULE**

① Route Run 836 fiber optic cables from cabinet I/F J21 to front of Bit3 module (MR2 A11 A30).  
Secure cable to side of cabinet.  
**Do not bend fiber optic cables to radius smaller than two inches (50mm).**

② Do not connect the Green and Brown fiber optic cables to the Bit3 Module (these are spares).  
Lay them on top of TPS/ISE Chassis.



③ Connect the Orange and Blue fiber optic cables to the Bit3 Module as indicated.

- ROUTE/CONNECT FIBER OPTIC RUNS 708, 710, AND 711/712 TO TYME II

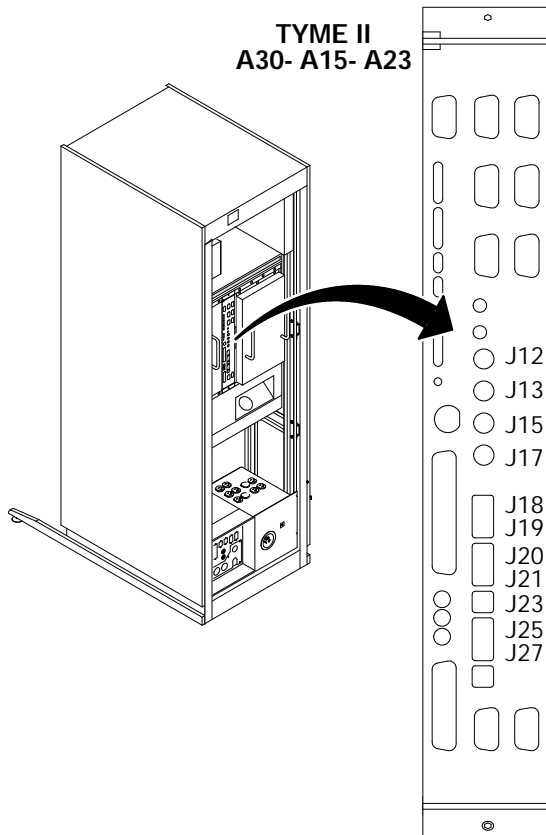


Handle fiber optic cables carefully. Do not bend fiber optic cables to radius smaller than two inches. Avoid scratching connector ends. Keep connectors protected until ready to connect. Do not coil naked outside of cabinet, or store fiber optic cables in bottom of cabinet.

**Note:**

Runs 708, 710, 711, and 712 are used for both Horizon 5.x and 8.x. The fiber optic connections to the TYME board are different for 5.x and 8.x. The labels on the cables include both the 5.x and 8.x connections.

The table below indicates the connection labels as they should be marked on this end of the fiber optic cables. **Use only the 8.x connections.**



RUN #	5.x	8.x
708- 1	J5	J19
710- 1	J13	J12
710- 2	J15	J13
710- 3	J17	J15
710- 4	J14	J17
710- 5	J4	J18
711- 1	J6,J7	J25,J27
711- 2	J8	J23
712- 1	J9,J10	J20,J21

- ① Route/Connect as marked Run 710 fiber optic cables to J12, J13, J15, J17 and J18 on the TYME II Board.
- ② Route/Connect as marked Run 708 fiber optic cable to J19 on the TYME II Board.
- ③ Route/Connect as marked Run 711/712 fiber optic cables to J20, J21, J23, J25, and J27 on the TYME II Board.

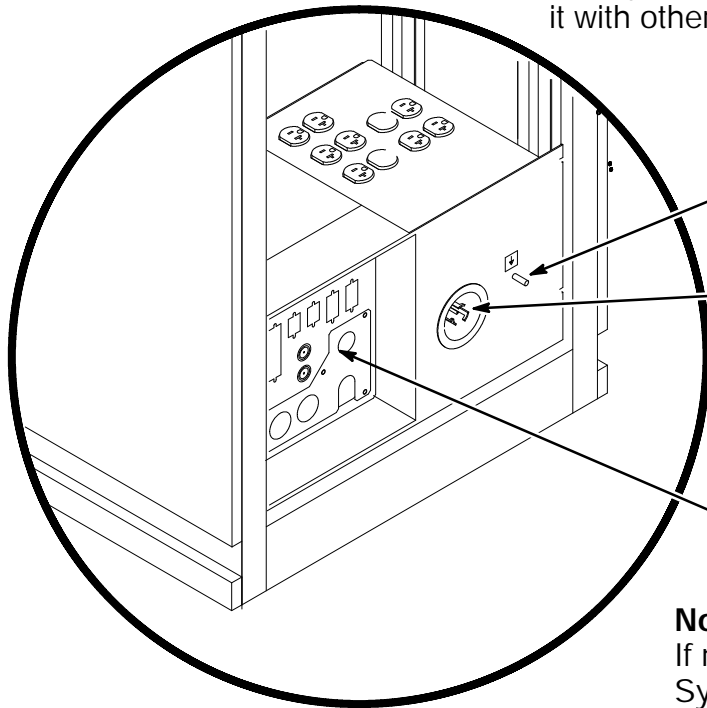
**Note:**

Use tie-wraps to secure fiber optic cables to ISE Chassis cables.

**- CONNECT POWER, GROUND, AND DATA CABLES**

**Note:**

Locate CERD Test Cable, 2168505 (it is packed with the Operator Workspace cable kit, 2154392). Store it with other test cables or in the System Cabinet.



① Connect Run 037 GND cable to ground stud.

② Connect Run 030 cable plug to "J1". Be sure to push and turn plug for secure connection.

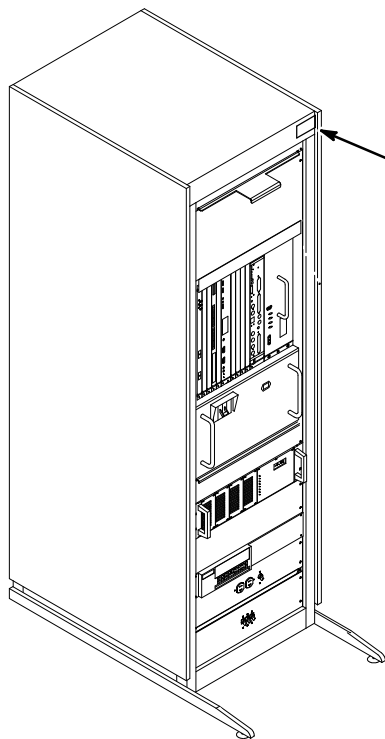
③ Perform Ground Resistance Checks before connecting remaining cabinet cables.

④ Connect remaining cabinet cables as marked.

**Note:**

If needed, refer to Overview: Section 2 - System Cables, for Cable Map and Run descriptions and designator information located at end of each cable.

- INSTALL INSITE "SYSTEMS" CABINET MAGNET



① From the OpenSpeed Insite Kit (46- 301708G5), locate the "Systems" cabinet magnet (46- 320095P5) and attach to front of cabinet as shown.