

QHB INSTALLATION

TABLE OF CONTENTS

Table of Contents.....	1
QHB Installation.....	2

Rev 1

1. QHB Installation

1. Install QHB to the rear lower frame of opposite side of wiring with 4 screws.

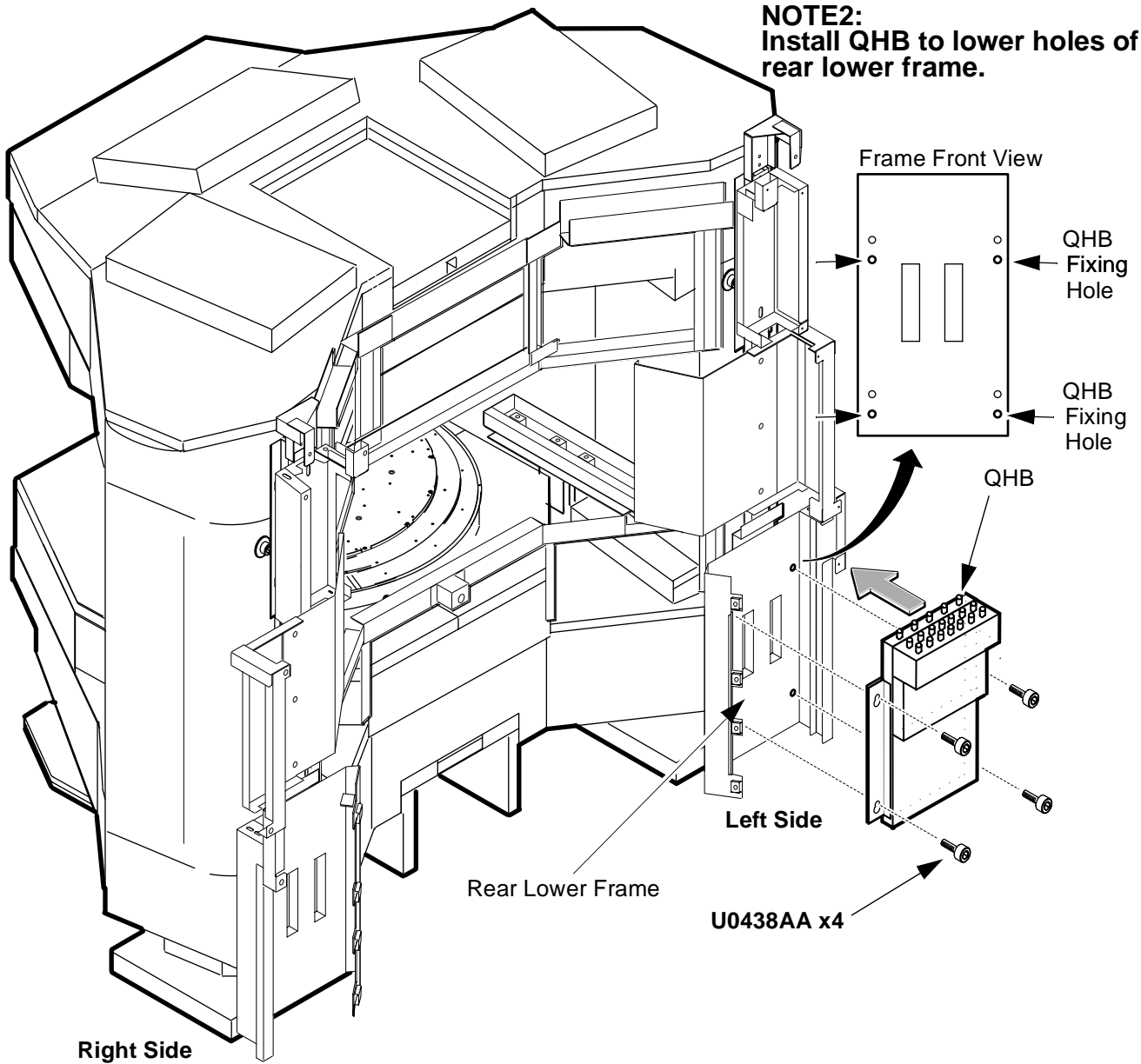
NOTE: The QHB must be installed to lower holes of rear lower frame.

NOTE1:

The illustration is right side wiring.
The left side wiring is symmetry.

NOTE2:

Install QHB to lower holes of rear lower frame.



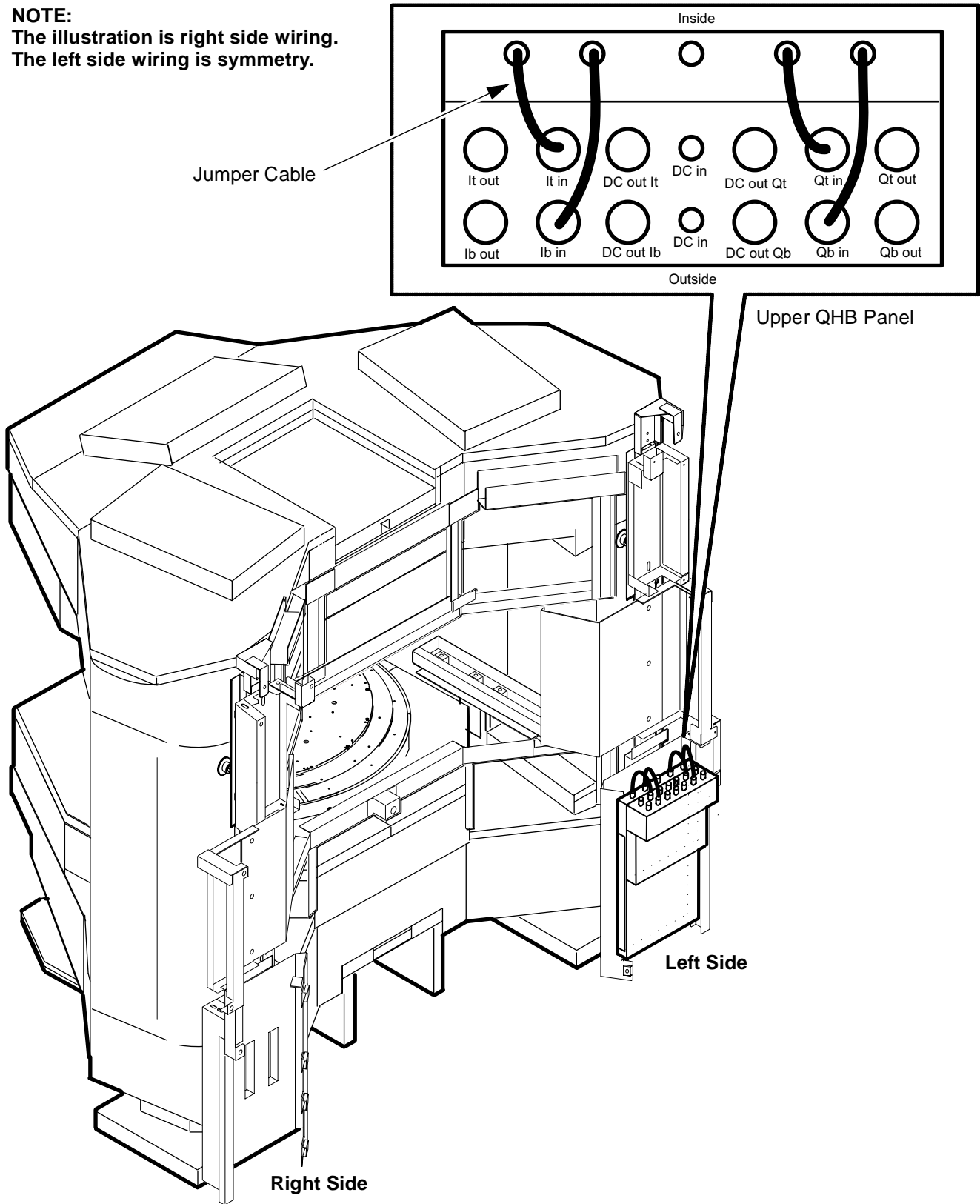
**QHB INSTALLATION
ILLUSTRATION 1**

Rev 1

1. QHB Installation(Continued)

2. Connect 4 jumper cables to upper panel of QHB.

NOTE:
The illustration is right side wiring.
The left side wiring is symmetry.



QHB INSTALLATION
ILLUSTRATION 2

Rev 1

Revision History

Rev	Date	Author	Primary Reasons For Change
0	Feb 28, 2001	K.Tsumagari	Initial Release
1	Oct 22, 2001	K.Tsumagari	Misc. Change