

QHB INSTALLATION

TABLE OF CONTENTS

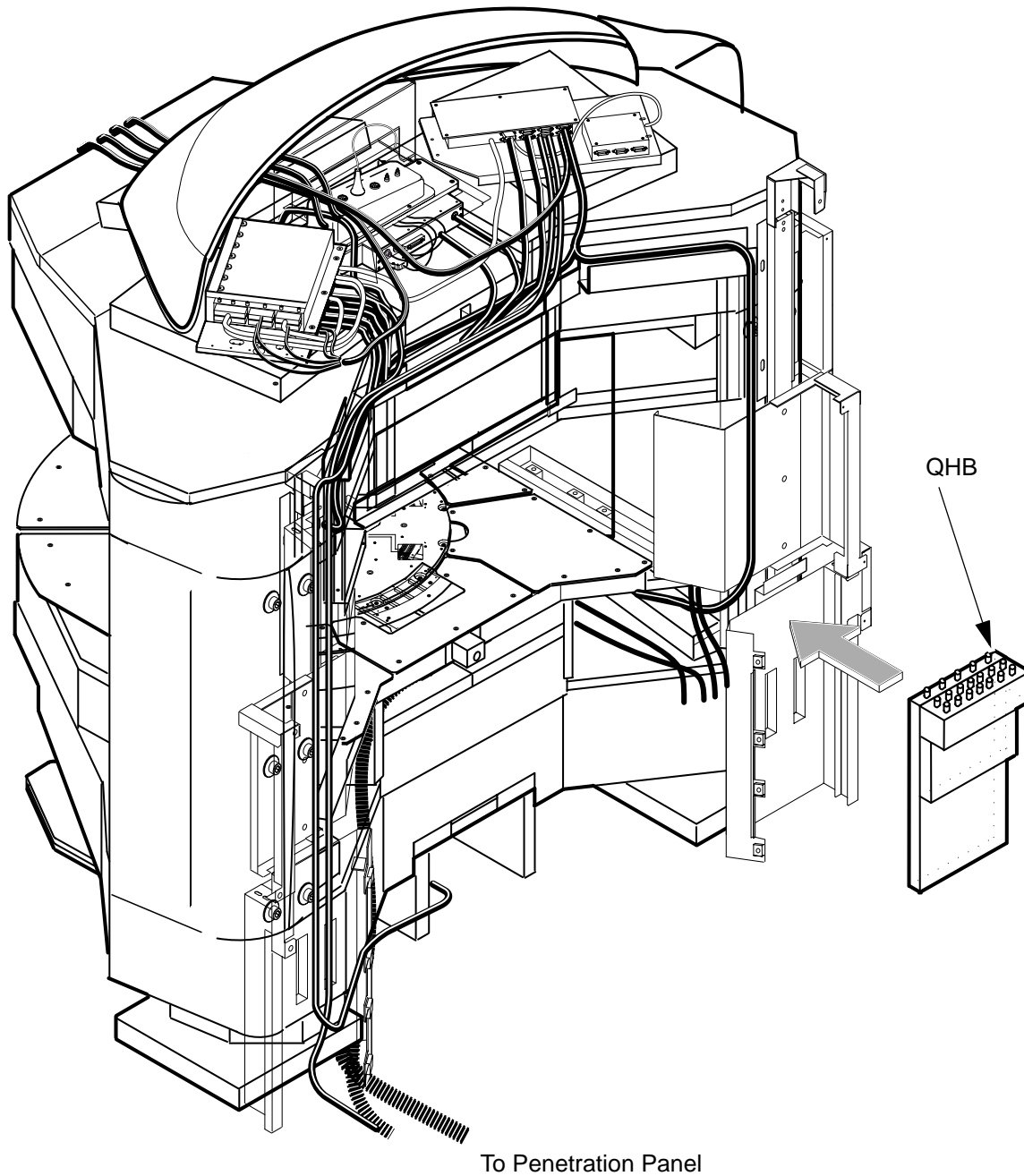
QHB Installation	2
------------------------	---

1. QHB Installation

1. Install QHB to the rear lower frame of opposite side of wiring with 4 screws.

NOTE:

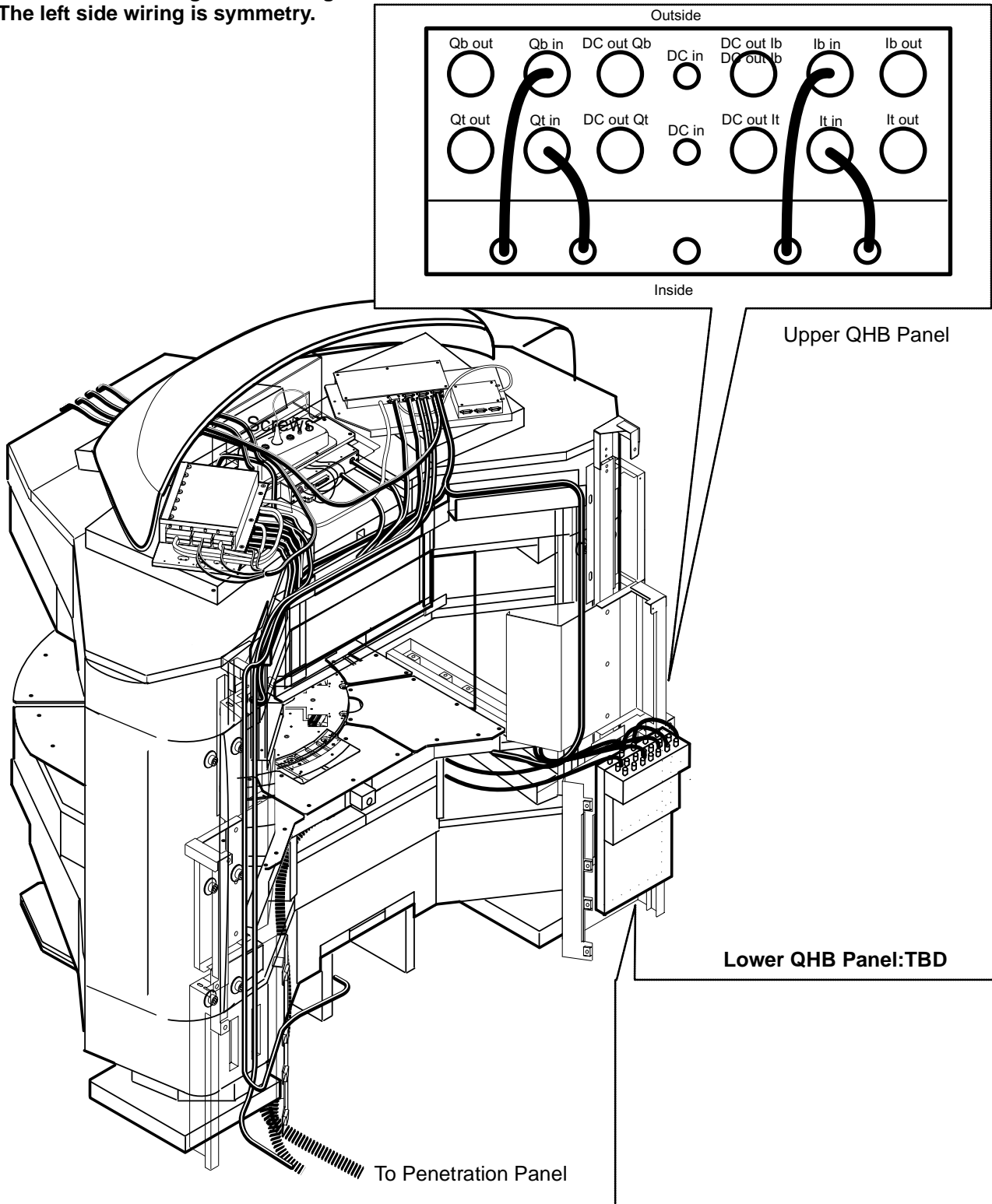
The illustration is right side wiring.
The left side wiring is symmetry.



**QHB INSTALLATION
ILLUSTRATION 1-1**

2. Connect 4 cables to upper and lower panel of QHB.

NOTE:
The illustration is right side wiring.
The left side wiring is symmetry.



QHB INSTALLATION
ILLUSTRATION 1-2