

# PCM INSTALLATION

## TABLE OF CONTENTS

Table of Contents .....	1
1.PCM Installation .....	2
2.Patient Hose Installation.....	4

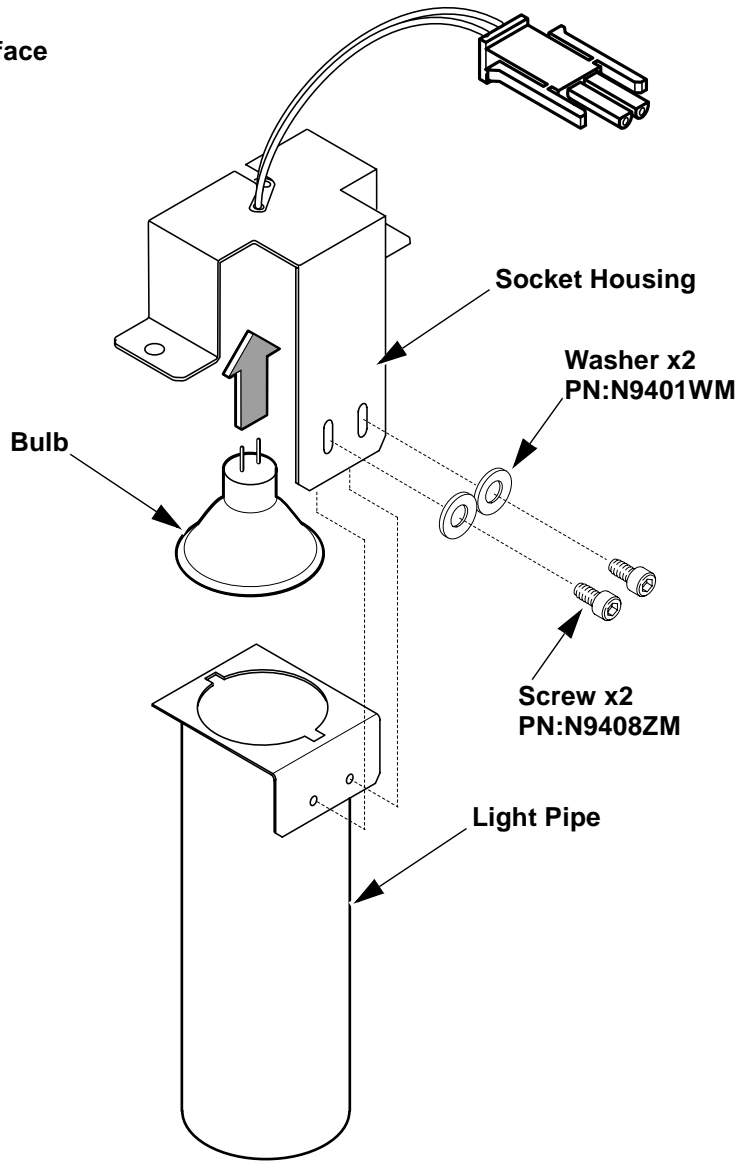
Rev 2

**1. PCM Installation**

1. Assemble two PCM Lights.
  - a. Install the bulb to socket housing.
  - b. Install the socket housing assy to light pipe with 2 screws(N9408ZM)/washers(N9401WM).

**NOTE:**

Do not touch the bulb surface and reflector inner side.



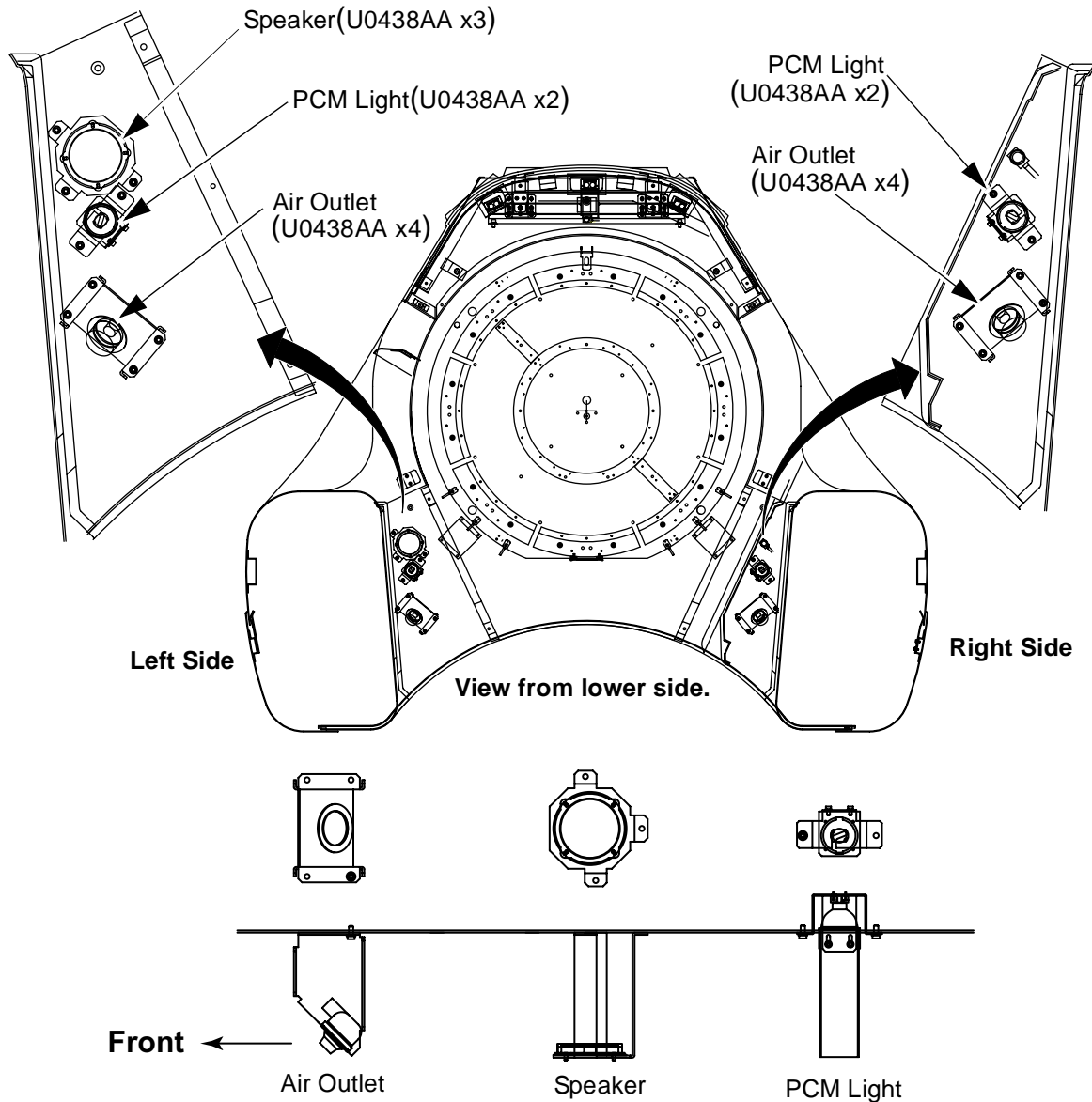
**PCM INSTALLATION  
ILLUSTRATION 1**

Rev 2

**1. PCM Installation(Continued)**

2. Connect the speaker cables to speaker.
3. Install the speaker to left PCM base with 3 screws(U0438AA).
4. Connect PCM Light connector to PCM light for each side.
5. Install two PCM Lights to R and L PCM base with 2 screws(U0438AA) for each side.
6. Install two Air Outlet to R and L PCM base with 4 screws(U0438AA) for each side.

**NOTE: Before install speaker and PCM light, connect each connectors.**




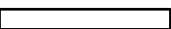
**PCM INSTALLATION(CONTINUED)**  
ILLUSTRATION 2


Rev 2

**1. PCM Installation(Continued)**

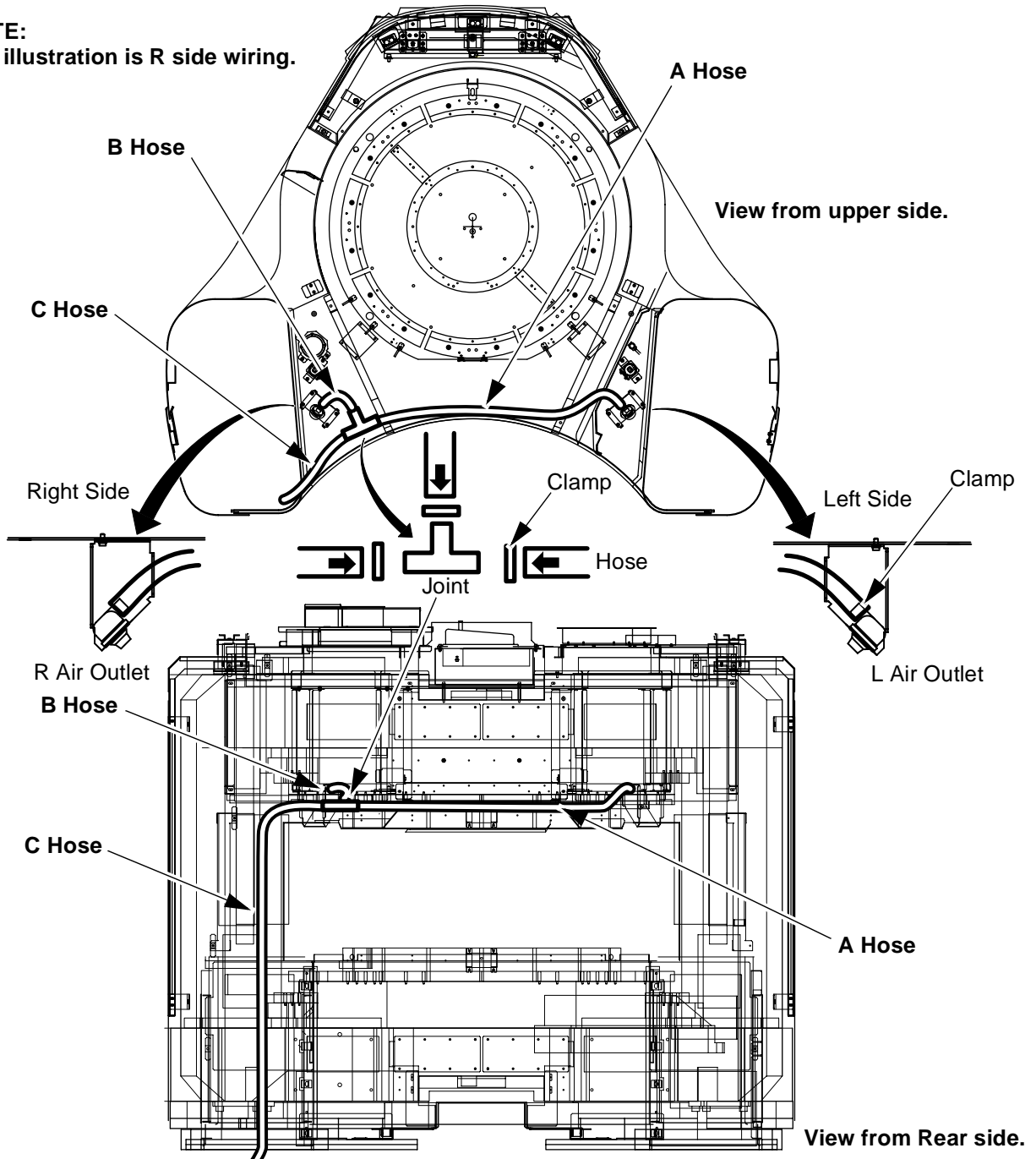
1. Cut Patient Hose for each length as illustration.
2. Connect A and B Patient Hoses to R and L air outlet with clamps according to site layout.
3. Connect joint to routed Patient Hoses with clamps.
4. Connect patient hose to joint and penetration panel with clamps.
5. Fix Patient Hoses with tie-wraps.

A Hose  Length: 150 cm

B Hose  Length: 70 cm

C Hose 

**NOTE:**  
The illustration is R side wiring.



**PCM INSTALLATION(CONTINUED)**  
ILLUSTRATION 3

Rev 2

**Revision History**

<b>Rev</b>	<b>Date</b>	<b>Author</b>	<b>Primary Reasons For Change</b>
0	Mar 19, 2001	K.Tsumagari	Initial Release
1	May 21, 2001	K.Tsumagari	Patient Hose Installation is added
2	Oct 29 , 2001	K.Tsumagari	Misc Change