

OW INSTALLATION

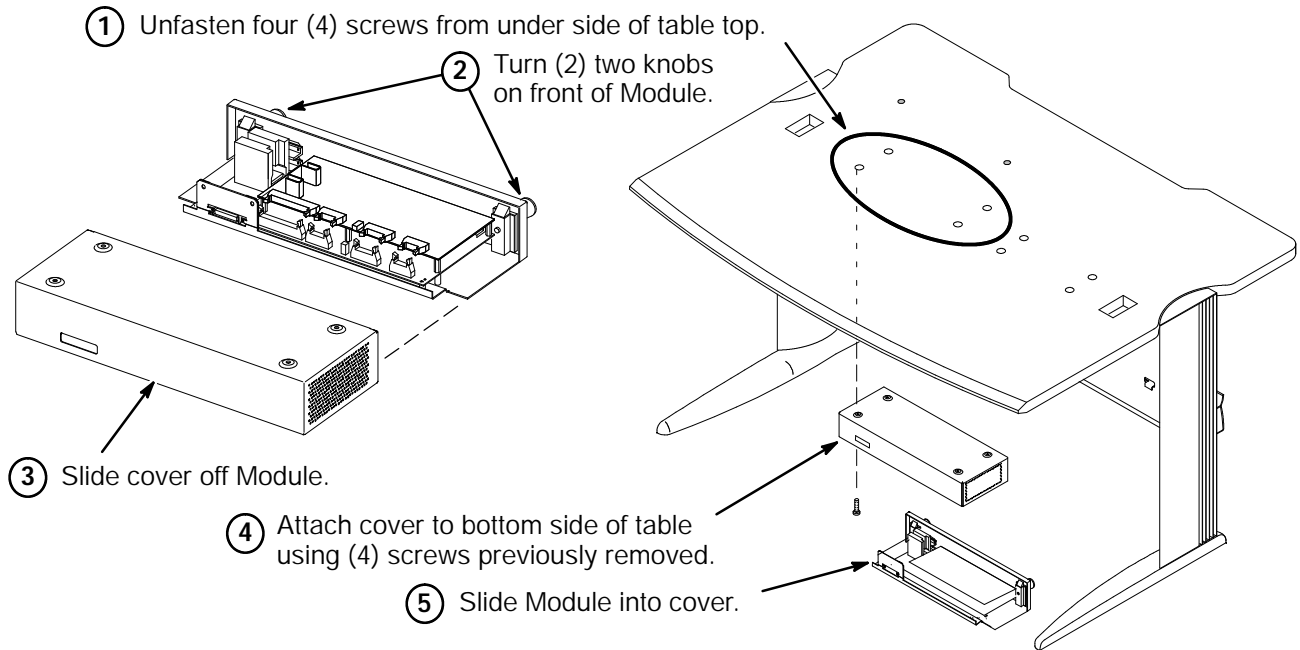
TABLE OF CONTENTS

<u>SECTION</u>	<u>TITLE</u>	<u>PAGE</u>
1	ATTACH WORKSPACE INTERFACE MODULE (2141978 series) TO TABLE	1- 3
2	ATTACH POWER DISTRIBUTION BOX (46- 307830G1) TO TABLE	1- 3
3	ATTACH MODEM TO TABLE	1- 4
4	ATTACH DASM TO TABLE	1- 4
5	ATTACH SERIAL EXPANSION BOX ASM TO TABLE	1- 5
6	INSTALL KEYBOARD ON TABLE	1- 5
7	INSTALL MODEL LCD2000 COLOR MONITOR (2213962) ON TABLE	1- 6
8	INSTALL MOUSE, MONITOR, DAT, MOD, AND LCD DISPLAY ON TABLE	1- 6
9	CONNECT TABLE COMPONENT CABLES	1- 7
10	SERIAL EXPANSION BOX SET UP	1- 7
11	SGI OCTANE COMPUTER CABLES CONNECTIONS	1- 8
12	SGI OCTANE COMPUTER CABLES CONNECTIONS	1- 8
13	LOCATE OPERATOR WORKSPACE CABINET IN FRONT OF TABLE	1- 9
14	REMOVE OPERATOR WORKSPACE CABINET REAR COVER	1- 9
15	REMOVE OPERATOR WORKSPACE CABINET FRONT AND SIDE COVERS	1- 10
16	CONNECT ETHERNET CABLES	1- 10
17	ROUTE/CONNECT RUNS 792, 797, 813, AND 814 TO PC MODULE	1- 11
18	REMOVAL OF DAT AND MOD DRIVES FROM GENESIS COMPUTER	1- 11
19	INSTALL DAT AND MOD DRIVES (LEGACY MEDIA) IN SCSI EXPANSION BOX	1- 12
20	DAT DRIVE SETTINGS	1- 12

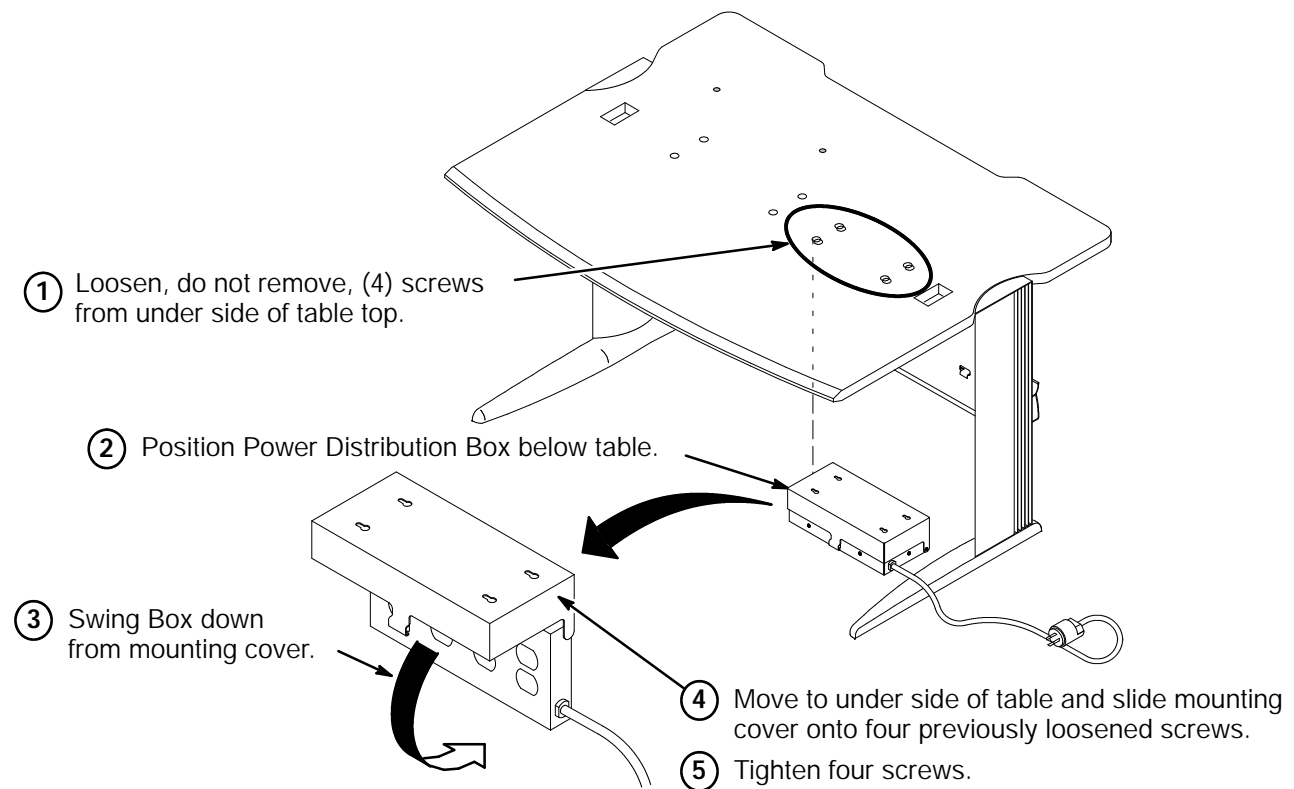
TABLE OF CONTENTS (continued))

<u>SECTION</u>	<u>TITLE</u>	<u>PAGE</u>
21	MOD DRIVE SETTINGS	1- 13
22	INSTALL DAT AND MOD DRIVES (LEGACY MEDIA) IN SCSI EXPANSION BOX	1- 13
23	INSTALL DAT AND MOD DRIVES (LEGACY MEDIA) IN SCSI EXPANSION BOX	1- 14
24	ROUTE/CONNECT RUN 819 TO SCSI EXPANSION BOX	1- 14
25	ROUTE/CONNECT RUNS 047, 048, 049, AND 817 TO POWER MODULE	1- 14
26	ALIGN OPERATOR WORKSPACE CABINET CABLES & INSITE MAGNET	1- 15
27	BUNDLE OPERATOR WORKSPACE CABINET CABLES	1- 15

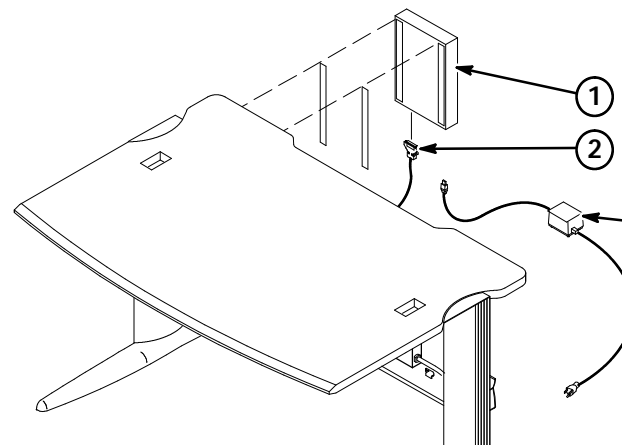
- ATTACH WORKSPACE INTERFACE MODULE (2141978 series) TO TABLE



- ATTACH POWER DISTRIBUTION BOX (46- 307830G1) TO TABLE



- ATTACH MODEM TO TABLE



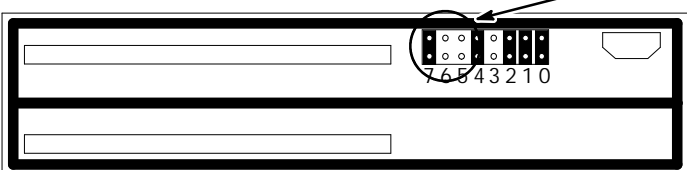
Note: Modem is to be supplied by District office. Consult with Site customer for preference of Modem location on back plate of table.

- 1 Attach to back plate of table.
- 2 Connect Run 812 (2188746) to Modem. Other end to be connected to Operator Workspace Cabinet SER 1 later.
- 3 Modem Power Adapter to be supplied by District office and connected to Power Distribution Box J7.

- ATTACH DASM TO TABLE

Note: The Analog and Digital DASMs are shipped with the jumper set to SCSI ID=0. This is the correct ID for an AW, but incorrect for Signa Horizon LX (SCSI ID=3).

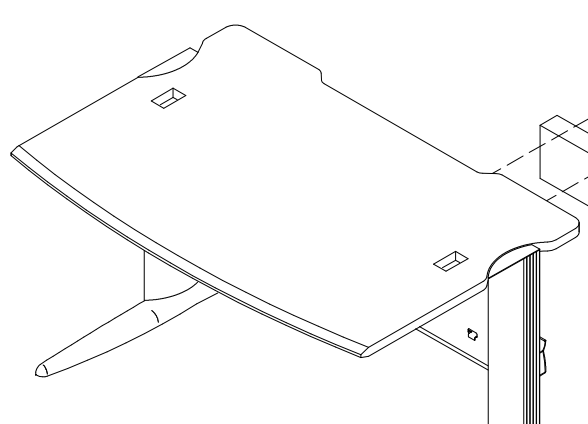
- 1 Unfasten DASM cover screw and remove cover.
- 2 For SCSI ID = 3, set Configuration Jumper J2 as follows:
5=OFF, 6=OFF, 7=ON
Note: A jumper in the OFF position enables the SCSI ID bit.



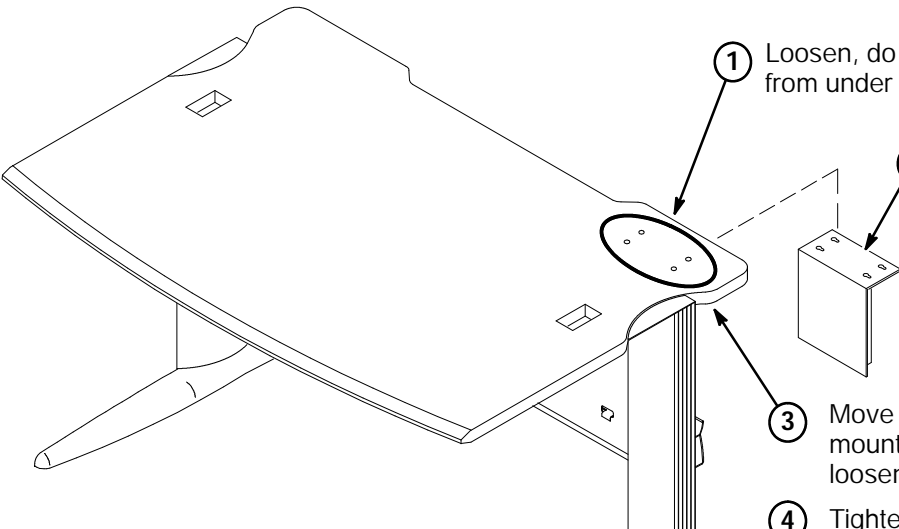
Note: Consult with Site customer for preference of DASM location. This procedure installs DASM in the cable trough. Customer may prefer DASM on top of table.

CAUTION: Longer SCSI cables cannot be substituted.

- 4 Unfasten DASM Bracket from back plate. Use only for 46- 269566P3 or 2143388- 2. Not used for 2251040 or 2251043.
- 5 Install DASM (Analog, 46- 269566P3, or Digital, 2143388- 2) in cable trough and fasten in place with DASM Bracket.
OR
Install DASM (Analog, 2251040, or Digital, 2251043) in cable trough. Refer to installation instructions that are shipped with DASM.
- 6 Route and connect DASM cables and accessories according to instructions provided with DASM Module and Cable Map in Overview Tab of this manual.
- 7 Connect power cable to Power Distribution Box J2.

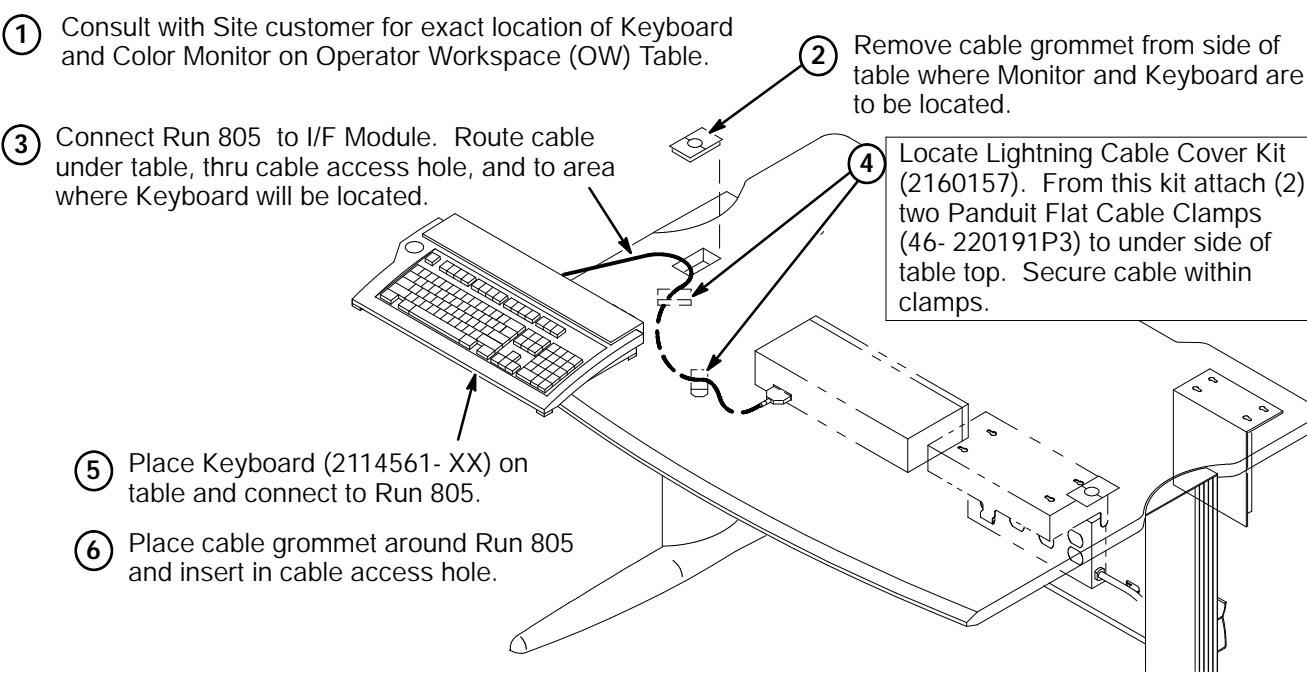


- ATTACH SERIAL EXPANSION BOX ASM TO TABLE



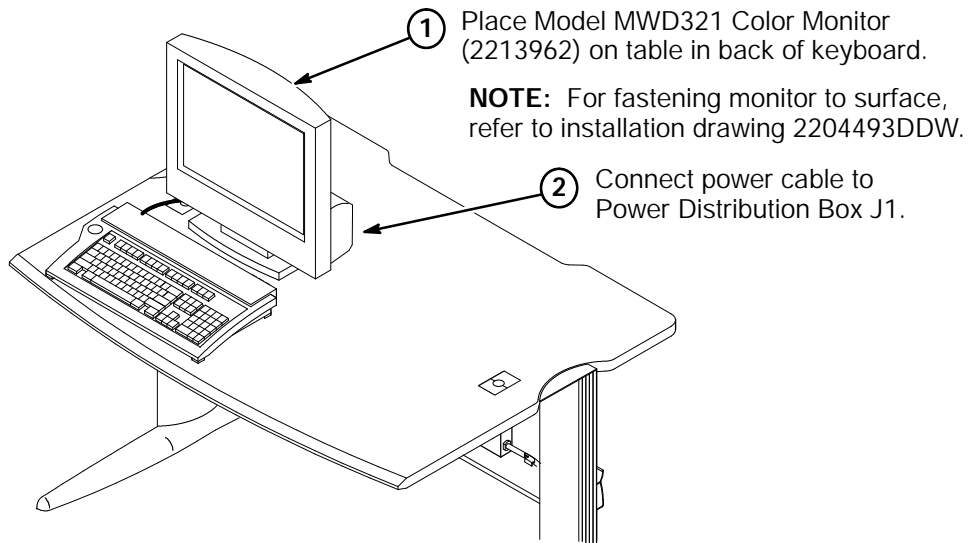
- 1 Loosen, do not remove, (4) screws from under side of table top.
- 2 Position Serial Expansion Box Asm (2204796) below table.
- 3 Move to under side of table and slide mounting cover onto four previously loosened screws.
- 4 Tighten four screws.

- INSTALL KEYBOARD ON TABLE

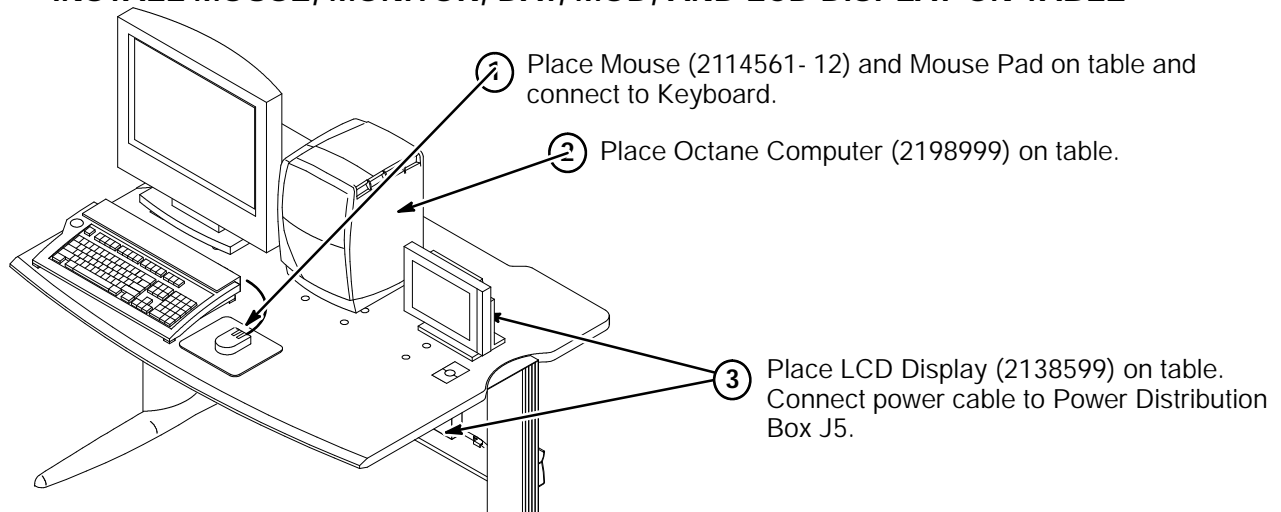


- 1 Consult with Site customer for exact location of Keyboard and Color Monitor on Operator Workspace (OW) Table.
- 2 Remove cable grommet from side of table where Monitor and Keyboard are to be located.
- 3 Connect Run 805 to I/F Module. Route cable under table, thru cable access hole, and to area where Keyboard will be located.
- 4 Locate Lightning Cable Cover Kit (2160157). From this kit attach (2) two Panduit Flat Cable Clamps (46- 220191P3) to under side of table top. Secure cable within clamps.
- 5 Place Keyboard (2114561- XX) on table and connect to Run 805.
- 6 Place cable grommet around Run 805 and insert in cable access hole.

- **INSTALL MODEL LCD2000 COLOR MONITOR (2213962) ON TABLE**

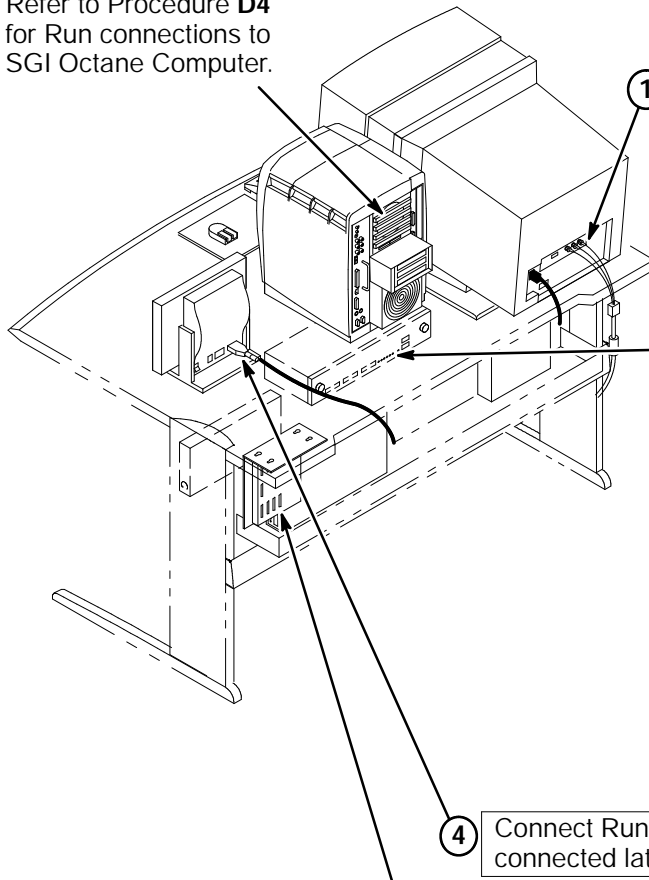


- **INSTALL MOUSE, MONITOR, DAT, MOD, AND LCD DISPLAY ON TABLE**



- CONNECT TABLE COMPONENT CABLES

Refer to Procedure **D4** for Run connections to SGI Octane Computer.



1 For Color Monitor: Connect Run 798 (2150533- 2) to R IN, B IN, G IN on Monitor and route/connect to MONITOR on the Octane Computer module.

For Black & White Monitor: Connect Run 799 (2150533) to VIDEO on Monitor and route/connect to DISPLAY on the Octane Computer module.

2 Connect the following cables from the OW I/F Module (OW A1 A4) for later connection to Operator Workspace Cabinet:

RUN #	CONNECTION	PART #
792	J11,J13	2148290
805	J6	2114561- 38
809	J12,J14	2141981- 2
810	J8	2141980- 2
814	J9	2196990
817	J17	46- 328000G958

Connect the following cables to OW I/F Module. These cables will be routed to the System Cabinet and Penetration Panel:

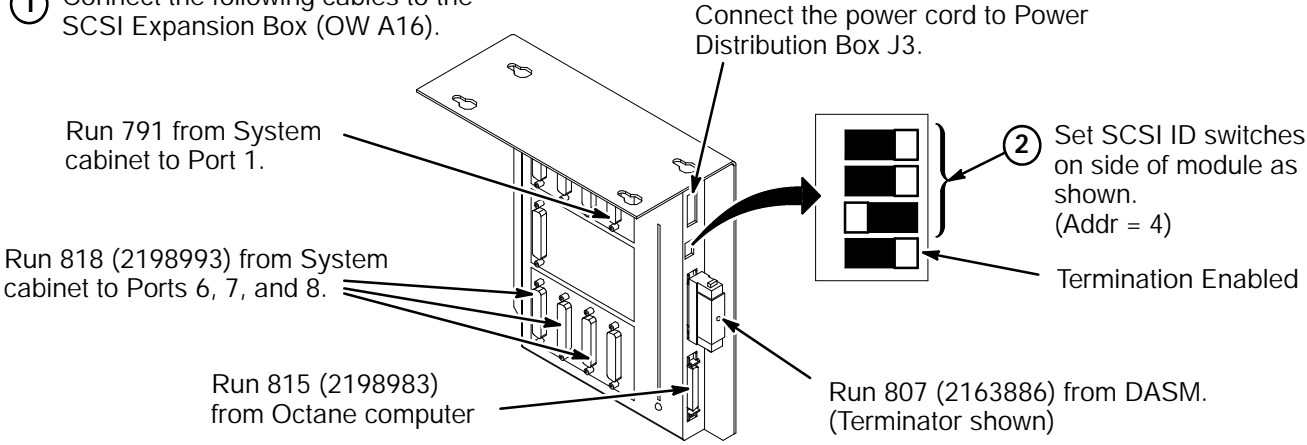
RUN #	CONNECTION	PART #
789	J18	46- 317068G938
788	J7	46- 328000G937

4 Connect Run 797 (2138599- 2) to LCD Display. Other end is connected later to PC in the Operator Workspace Cabinet.

Refer to Procedure **D3** for Run connections and DIP switch settings.

- SERIAL EXPANSION BOX SET UP

1 Connect the following cables to the SCSI Expansion Box (OW A16).



Run 791 from System cabinet to Port 1.

Run 818 (2198993) from System cabinet to Ports 6, 7, and 8.

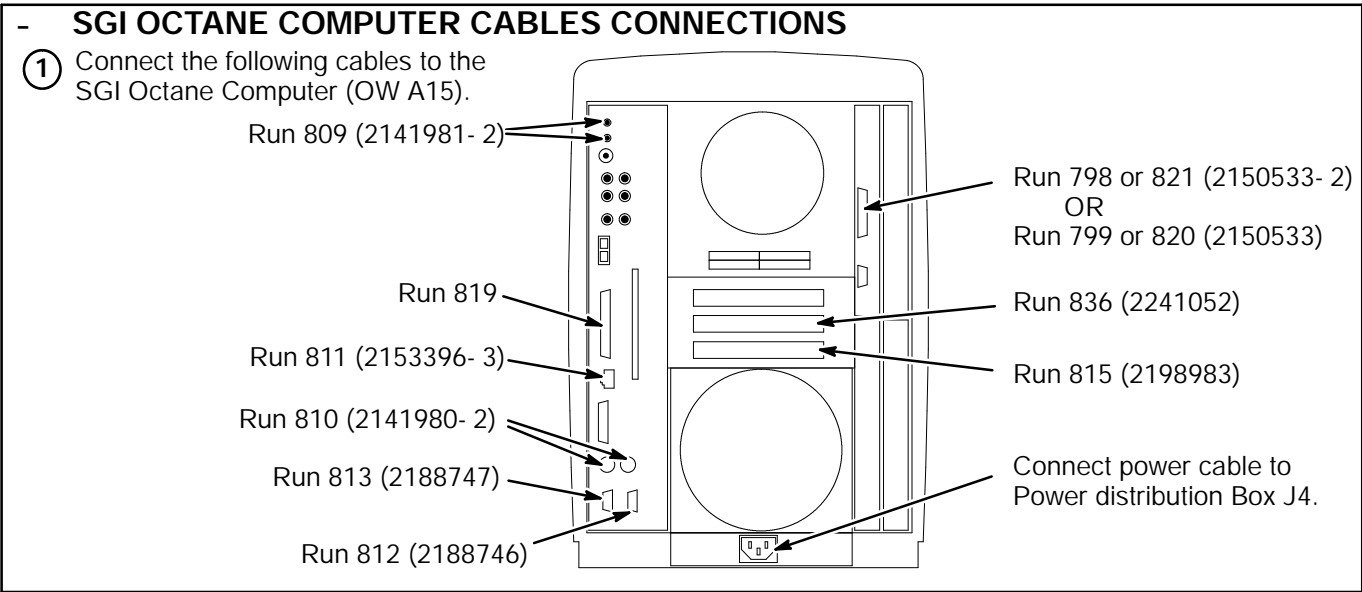
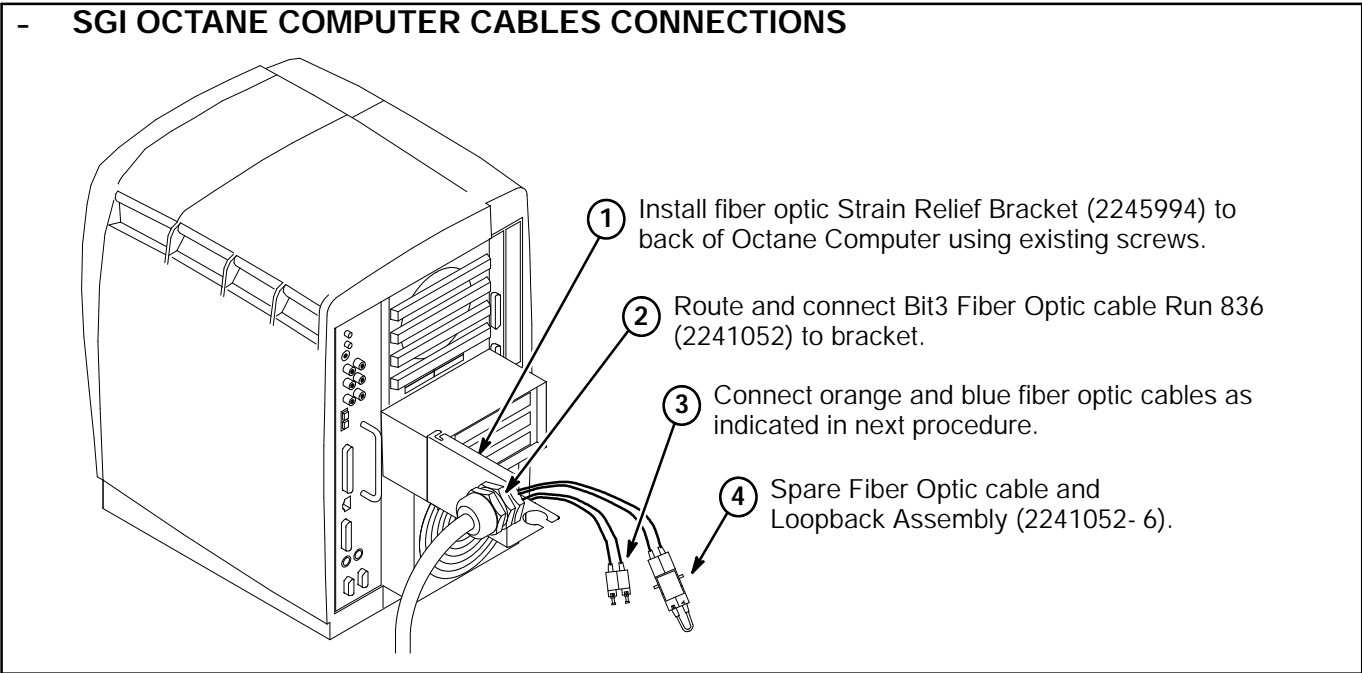
Run 815 (2198983) from Octane computer

Connect the power cord to Power Distribution Box J3.

2 Set SCSI ID switches on side of module as shown. (Addr = 4)

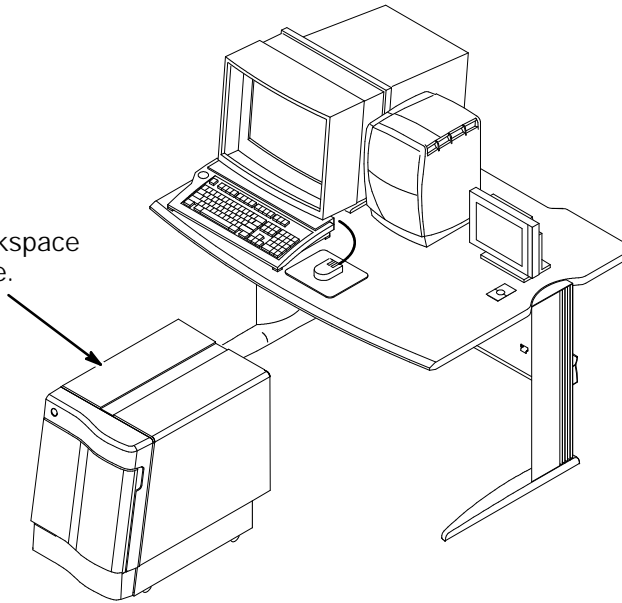
Termination Enabled

Run 807 (2163886) from DASM. (Terminator shown)



- LOCATE OPERATOR WORKSPACE CABINET IN FRONT OF TABLE

① Position Operator Workspace Cabinet in front of table.

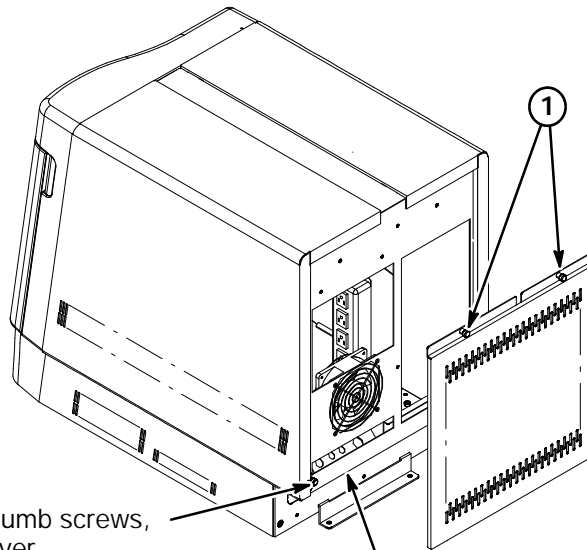


- REMOVE OPERATOR WORKSPACE CABINET REAR COVER

① Loosen (2) two thumb screws and remove Rear Cover.

② Loosen the (2) two thumb screws, one on each Side Cover.

Cable Access Hole

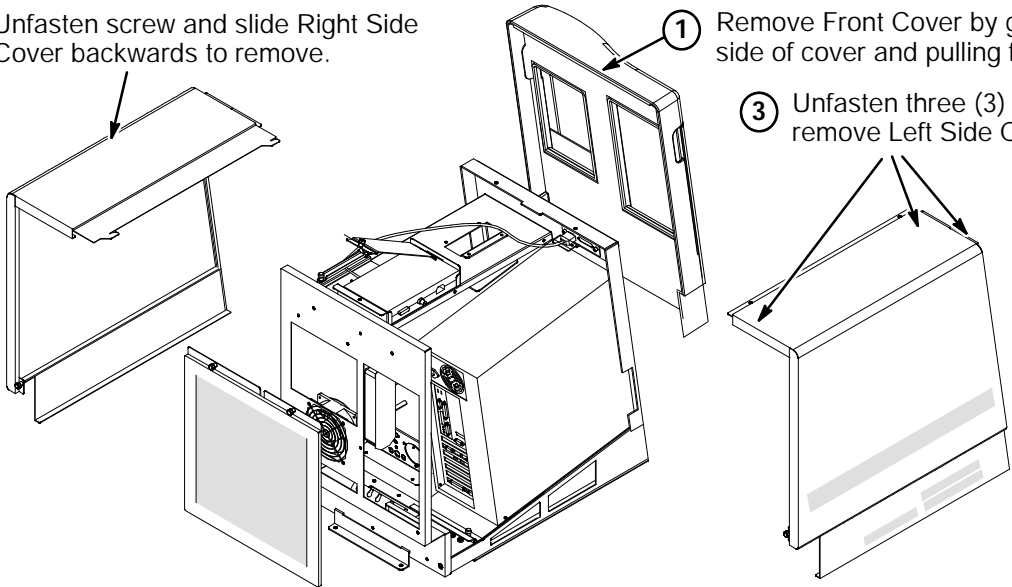


- REMOVE OPERATOR WORKSPACE CABINET FRONT AND SIDE COVERS

② Unfasten screw and slide Right Side Cover backwards to remove.

① Remove Front Cover by grasping each side of cover and pulling forward.

③ Unfasten three (3) screws and remove Left Side Cove.



- CONNECT ETHERNET CABLES

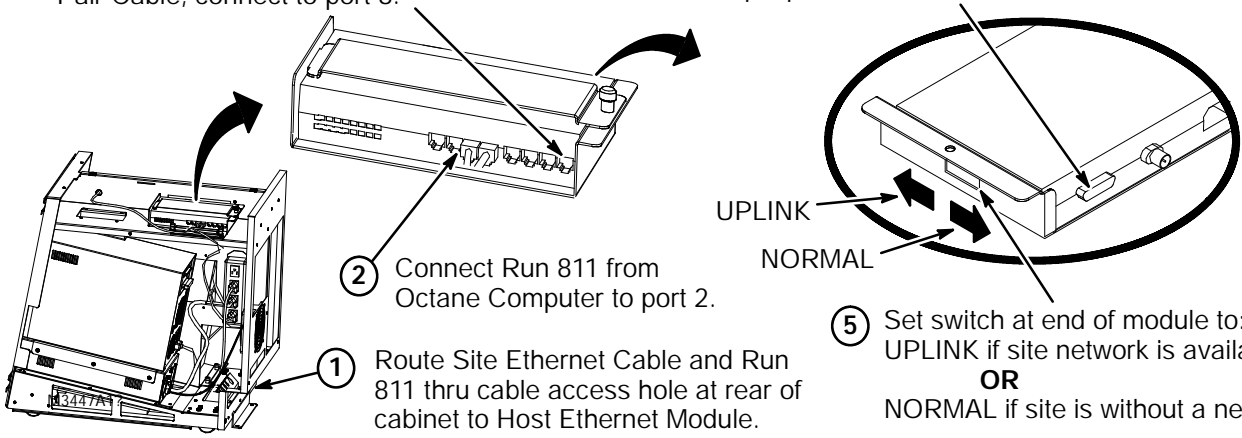
Note: Site Ethernet cable is supplied by customer.

③ If cable supplied is a Shielded Twisted Pair Cable, connect to port 8. **OR** ④ If cable supplied is an AUI Ethernet Cable, connect to AUI 15-pin port on other side of Module.

② Connect Run 811 from Octane Computer to port 2.



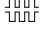
① Route Site Ethernet Cable and Run 811 thru cable access hole at rear of cabinet to Host Ethernet Module.



⑤ Set switch at end of module to: UPLINK if site network is available. **OR** NORMAL if site is without a network.




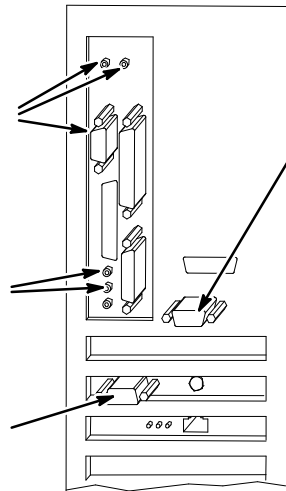
- **ROUTE/CONNECT RUNS 792, 797, 813, AND 814 TO PC MODULE**


Note: Route cables thru access hole at rear of cabinet.

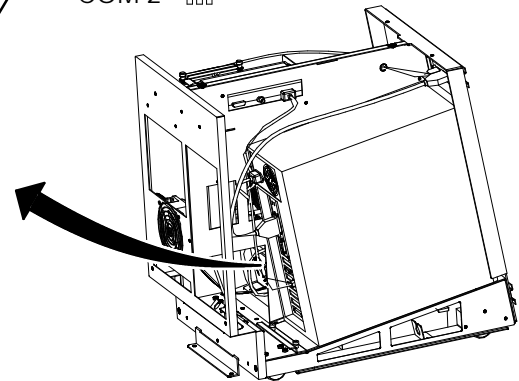
- ① Route Run 814 and connect as marked to:
KEYBOARD 
MOUSE 
COM1 

- ② Route Run 792 and connect as marked to:
MIC 
AUDIO 

- ③ Route Run 797 and connect as marked to:
VIDEO 



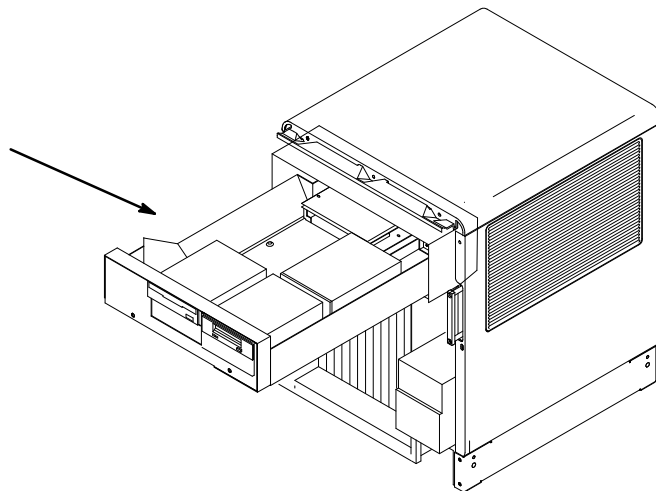
- ④ Route Run 813 and connect as marked to:
COM 2 



- **REMOVAL OF DAT AND MOD DRIVES FROM GENESIS COMPUTER**

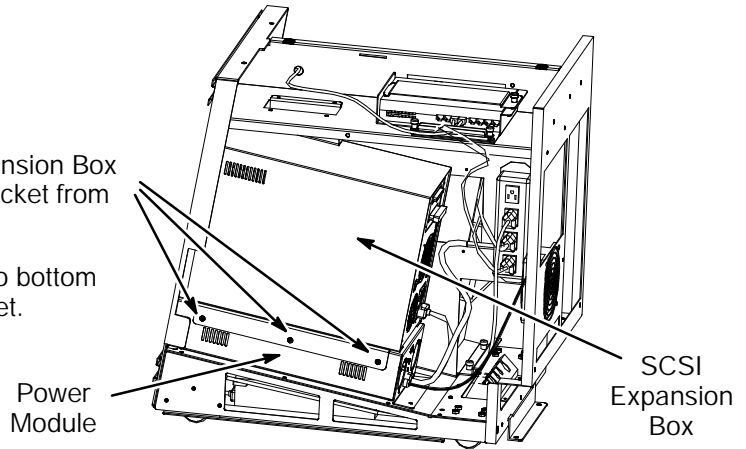
UPGRADE FROM 5.x OPTIONS:

For transferring Legacy Media DAT and MOD Drives from Genesis Computer - refer to Tab 13, Directions 2174955 and 2174956, steps **A1** thru **A4** only for removal of existing drives.



- INSTALL DAT AND MOD DRIVES (LEGACY MEDIA) IN SCSI EXPANSION BOX

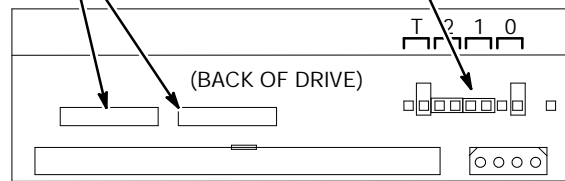
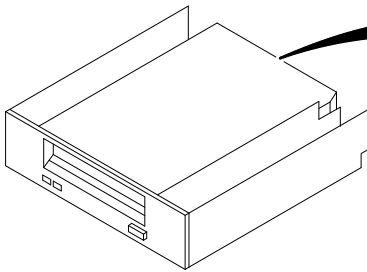
- ① Unfasten three (3) screws from SCSI Expansion Box mounting bracket and remove Box and bracket from power module.
- ② Unfasten six (6) screws that hold bracket to bottom of SCSI Expansion Box and remove bracket.
- ③ Remove SCSI Expansion Box cover.



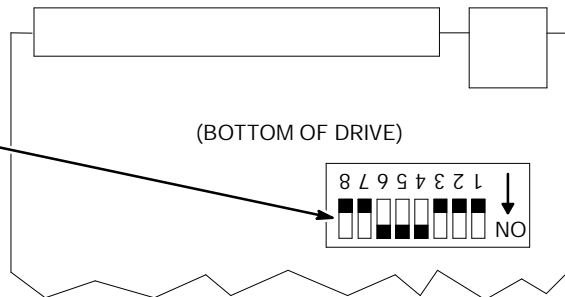
- DAT DRIVE SETTINGS

- ① Confirm that SCSI Bus Resistor Terminator Packs are not installed. If present - remove them.

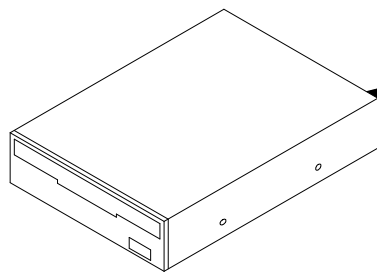
- ② For Octane, set SCSI ID = 6



- ③ Set the switches on the bottom of the drive as shown. This sets the drive to NOT perform "data disconnects" when there is no data available. This is required because of the odd byte count record packing done on GEMS tapes and SGI's inability to handle odd byte "save pointer" SCSI requests.

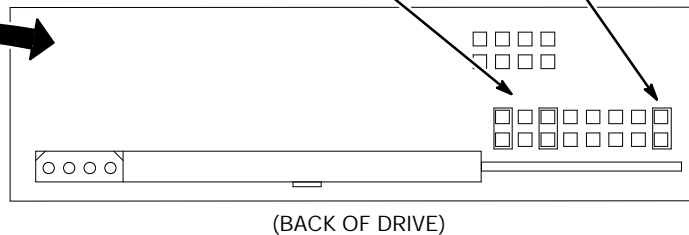


- MOD DRIVE SETTINGS



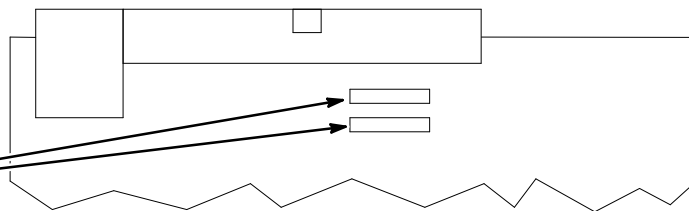
② For Octane, SCSI ID = 5

③ Make sure jumper is installed on pins at position 8 for SCSI Optical Disk.



(BACK OF DRIVE)

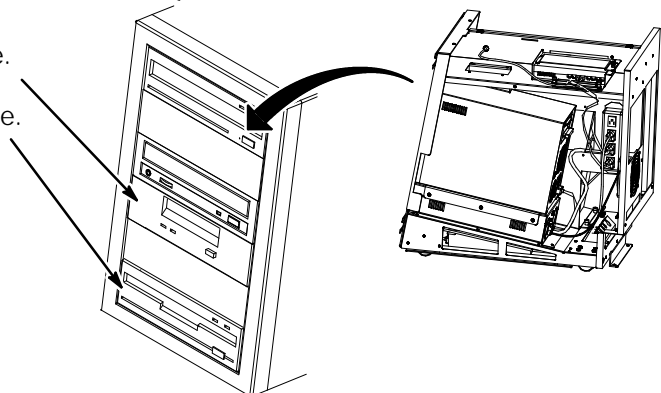
① Confirm that SCSI Bus Resistor Terminator Packs are not installed. If present - remove them.



(BOTTOM OF DRIVE)

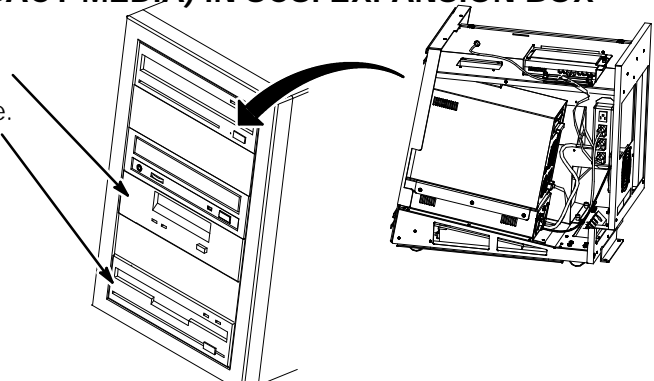
- INSTALL DAT AND MOD DRIVES (LEGACY MEDIA) IN SCSI EXPANSION BOX

- ① Install DAT Drive in slot 4 with existing hardware.
- ② Install MOD Drive in slot 6 with existing hardware.
- ③ Connect power cords to DAT and MOD Drives.
- ④ Connect ribbon cable to DAT and MOD Drives.
- ⑤ Install SCSI Expansion Box cover. Reattach bracket to bottom of Box. Reattach bracket and Box assembly to power module.



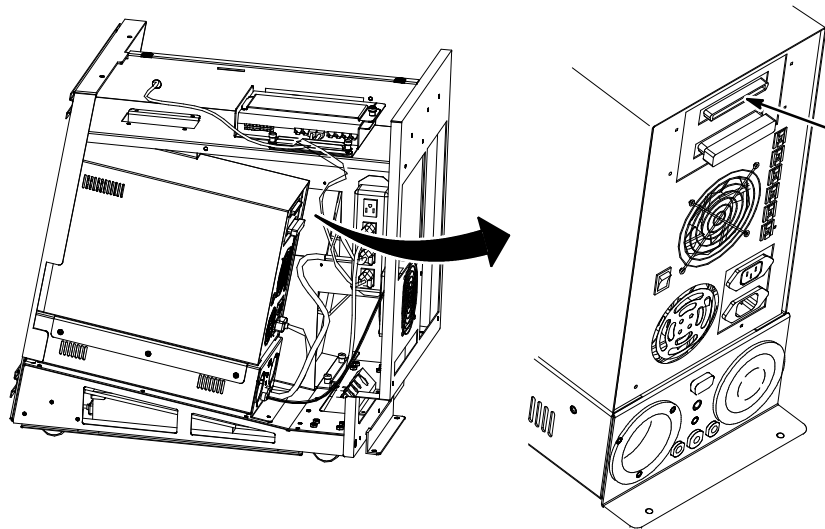
- INSTALL DAT AND MOD DRIVES (LEGACY MEDIA) IN SCSI EXPANSION BOX

- ① Install DAT Drive in slot 4 with existing hardware.
- ② Install MOD Drive in slot 6 with existing hardware.
- ③ Connect power cords to DAT and MOD Drives.
- ④ Connect ribbon cable to DAT and MOD Drives.
- ⑤ Install SCSI Expansion Box cover. Reattach bracket to bottom of Box. Reattach bracket and Box assembly to power module.



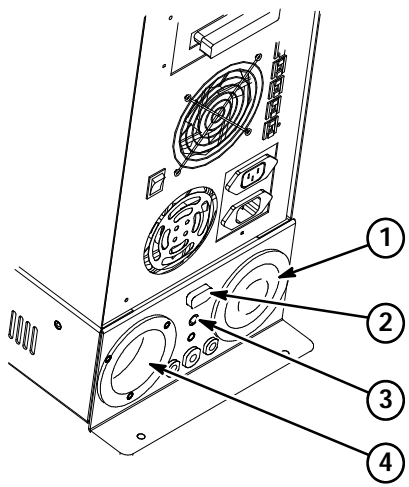
- ROUTE/CONNECT RUN 819 TO SCSI EXPANSION BOX

Note: Route all cables from SGI Octane Computer thru cable access hole at rear of cabinet.



- ① Route/Connect Run 819 from SGI Octane Computer.

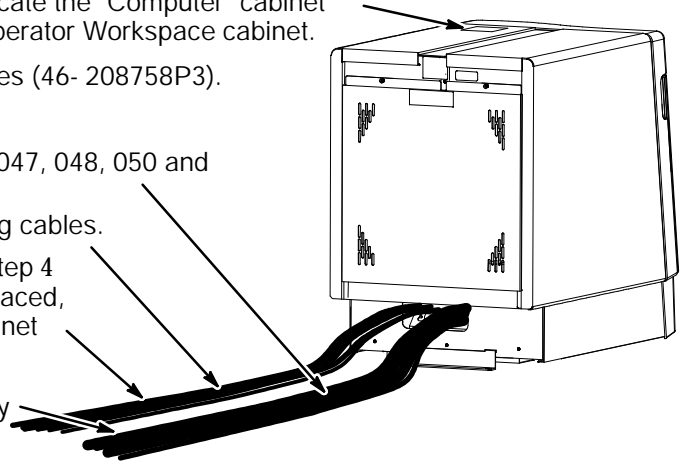
- ROUTE/CONNECT RUNS 047, 048, 049, AND 817 TO POWER MODULE



- ① Route/Connect Run 049 Power Cable from Operator Workspace I/F to J2.
- ② Route/Connect Run 817 Power Cable from Operator Workspace Power Module to J3.
- ③ Route/Connect Run 048 Ground Cable from PDU to ground screw.
- ④ Route/Connect Run 047 Power Cable from PDU to J1.

- ALIGN OPERATOR WORKSPACE CABINET CABLES & INSITE MAGNET

- ① Install Operator Workspace Cabinet right and left Side covers, Front cover and Rear cover.
- ② From the 8.0 LX InSite Kit (46- 301708G14), locate the "Computer" cabinet magnet (46- 320095P1) and attach to top of Operator Workspace cabinet.
- ③ Locate the twenty (20) seven inch long cable ties (46- 208758P3).
- ④ Separate cables into two bundles:
The first bundle will include power cable Runs 047, 048, 050 and fiber optic cable Run 790.
The second bundle will include all the remaining cables.
- ⑤ Align the cables of the first bundle created in Step 4 and attach ten (10) of the cable ties, equally spaced, around the cable bundle between the OW Cabinet and the OW Table.
- ⑥ Attach the remaining ten (10) cable ties, equally spaced, around the second cable bundle.



- BUNDLE OPERATOR WORKSPACE CABINET CABLES

- ① For each tie- wrapped bundle, place Cable Cover (46- 307782P1) underneath.
- ② Attach mating VelcroT to outside surface of Operator Workspace cabinet.
- ③ Wrap Cable Cover around bundle attaching the VelcroT hooks and loops.
- ④ Attach cable bundle Clamp (46- 307873P1) to center of Cable Cover.
- ⑤ Carefully roll OW Cabinet into final position. Make sure cable bundles are unobstructed and slide easily. Attach to mating Velcro on cabinet.
- ⑥ Repeat Step 4 as often as necessary.

