

TABLE OF CONTENTS

TABLE OF CONTENTS.....	1
1- Overview	2
2- Required Tool	2
3- Required Tool	2
4- Procedure	2

Rev 1

1. Overview

This procedure describes how to install Multi-Channel Select/Head Switch (MSHS).

2. Man Power

Two people to install MSHS

3. Required Tool

Item	Description
------	-------------

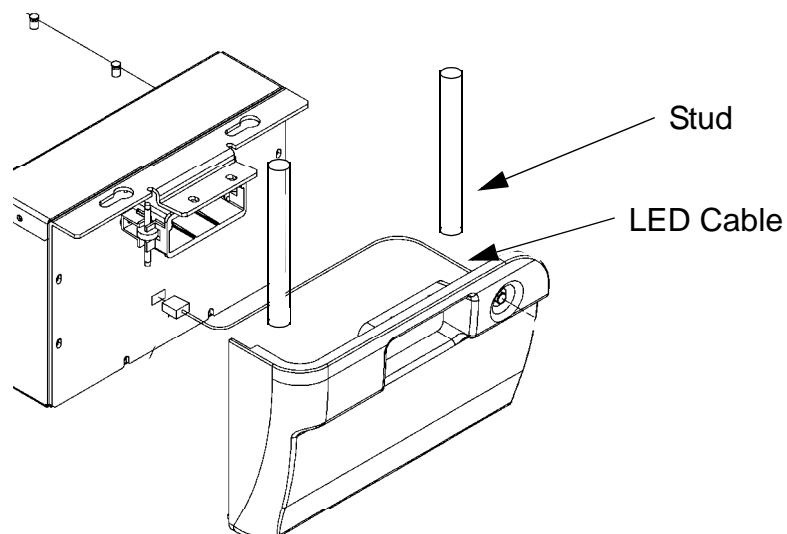
- | | |
|----|---|
| 1. | 5/16" standard non-magnetic screwdriver |
|----|---|

4. Procedure

1. Carefully place the MSHS under the front of the table and rest it on top of the UP/DOWN pedal assembly. See Illustration 1.
2. Install the two studs at the both sides of the Table. See Illustration 1.
3. Position a person on each end of the MSHS.
4. Locate the extension screws and put 2 screws in easy reach of each person.
5. With a person supporting each end of the MSHS raise it high enough until all the cables can be connected.
6. Connect each cable to its correct location on the MSHS.
7. Once all the cables have been connected then completely raise the MSHS and place it so that it is flush against the patient table.

CAUTION

Be careful not to cut or disconnect the MSHS LED cable by stud when installing the MSHS.



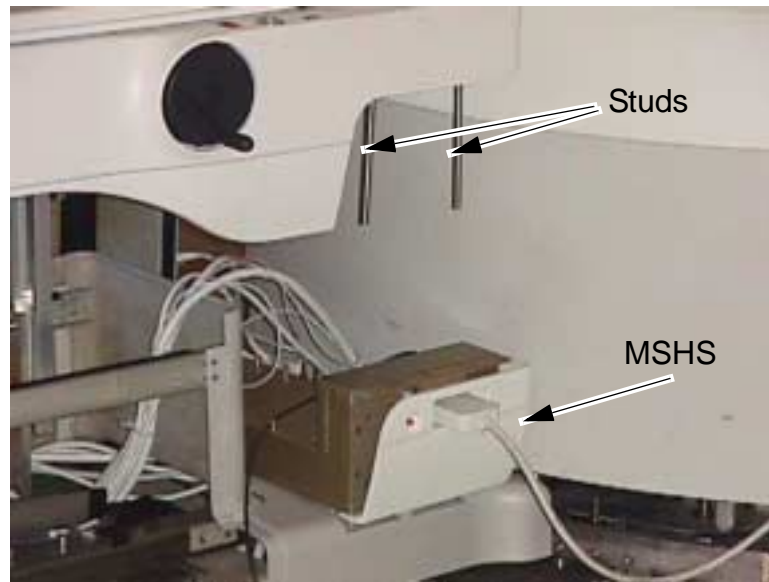
Rev 1

4. Procedure (continued)

8. Insert one extension screw on each side of the MSHS and install these diagonally opposite of each other. Finger tighten.
9. Insert the remaining 2 screws and finger tighten.
10. Use the screwdriver to tighten the extension screws until snug.

CAUTION

Do not over-tighten the screws. Damage to the threads in the corresponding steel plate or to those on the screws will result.



MSHS
ILLUSTRATION 1

Rev 1

Revision History

Rev	Date	Author	Primary Reasons For Change
0	Feb 9, 2001	Y. Masumo	Initial Version
1	Oct 28, 2001	Y. Masumo	Misc Correction