

MAGNET REAR FRAME INSTALLATION

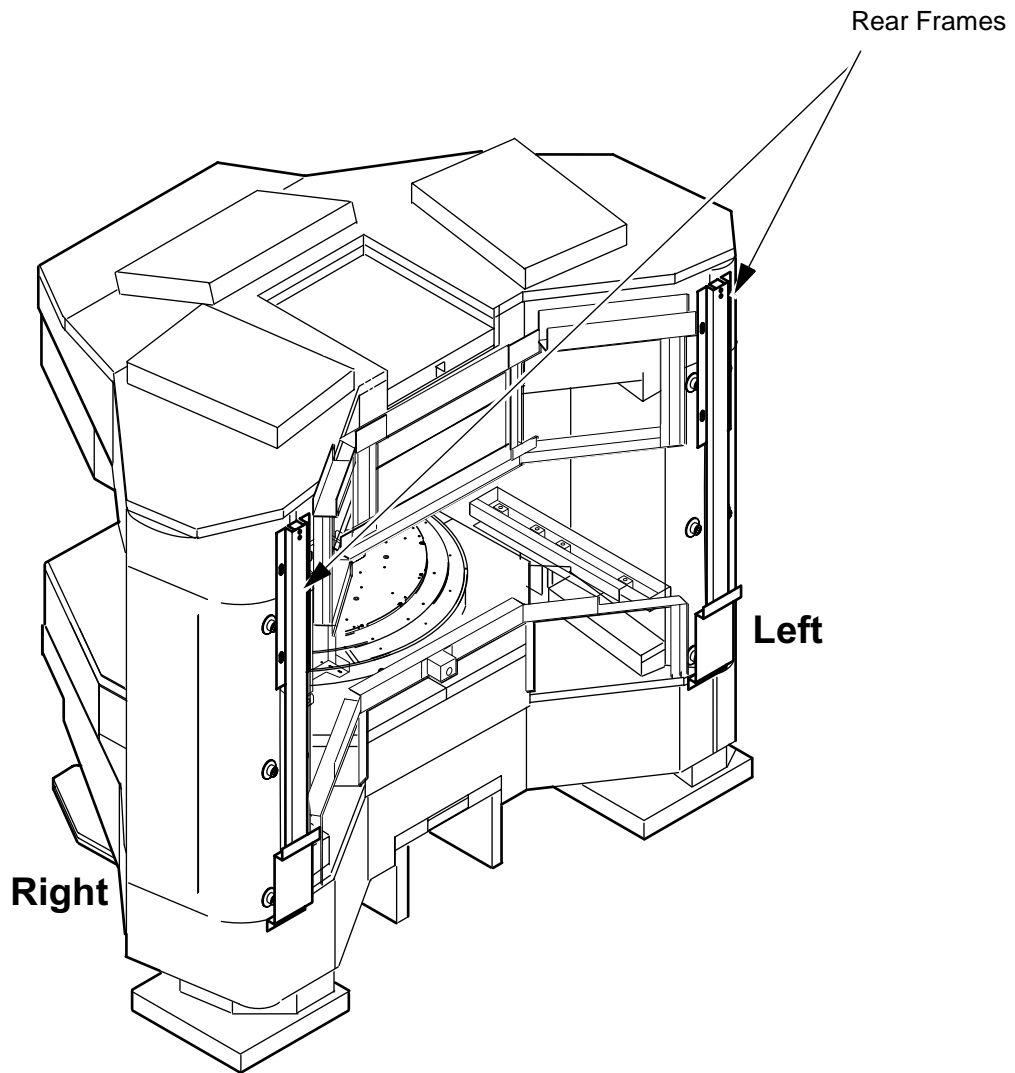
TABLE OF CONTENTS

Table of Contents	1
1.Preparation	2
2.Rear Frame Installation.....	3

Rev 1

1. Preparation

1. Verify that the following frames are already installed before starting the frame installation.

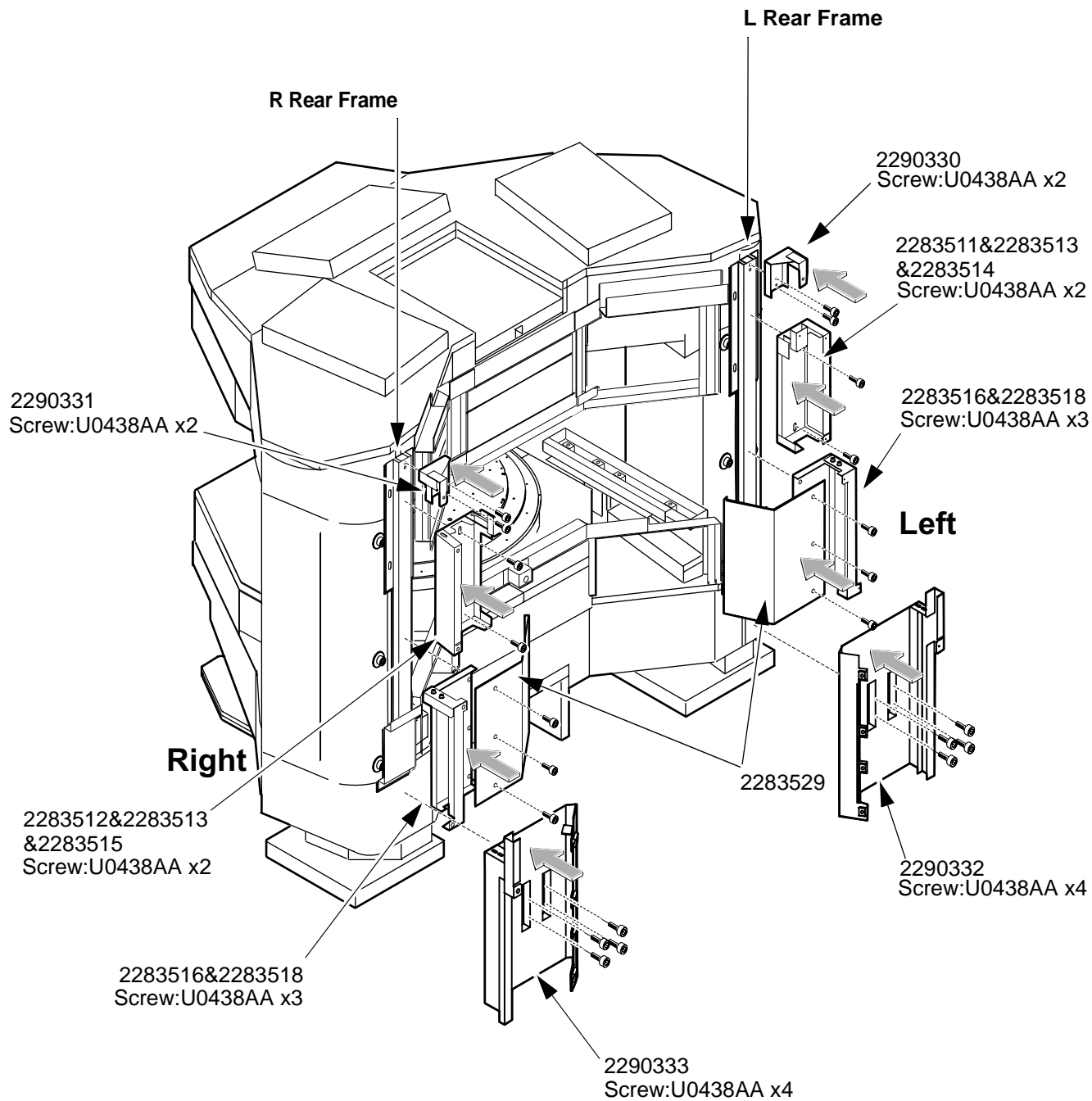


FRAMES BEFORE STARTING THE INSTALLATION
ILLUSTRATION 1-1

Rev 1

2. Rear Frame Installation

1. Install R and L Rear Frames to the magnet rear frame.



REAR FRAME INSTALLATION
Illustration 1-2

Rev 1

Revision History

Rev	Date	Auther	Primary Reasons For Change
0	Mar 05, 2001	K.Tsumagari	Initial Release
1	May 17, 2001	K.Tsumagari	Misc Change