

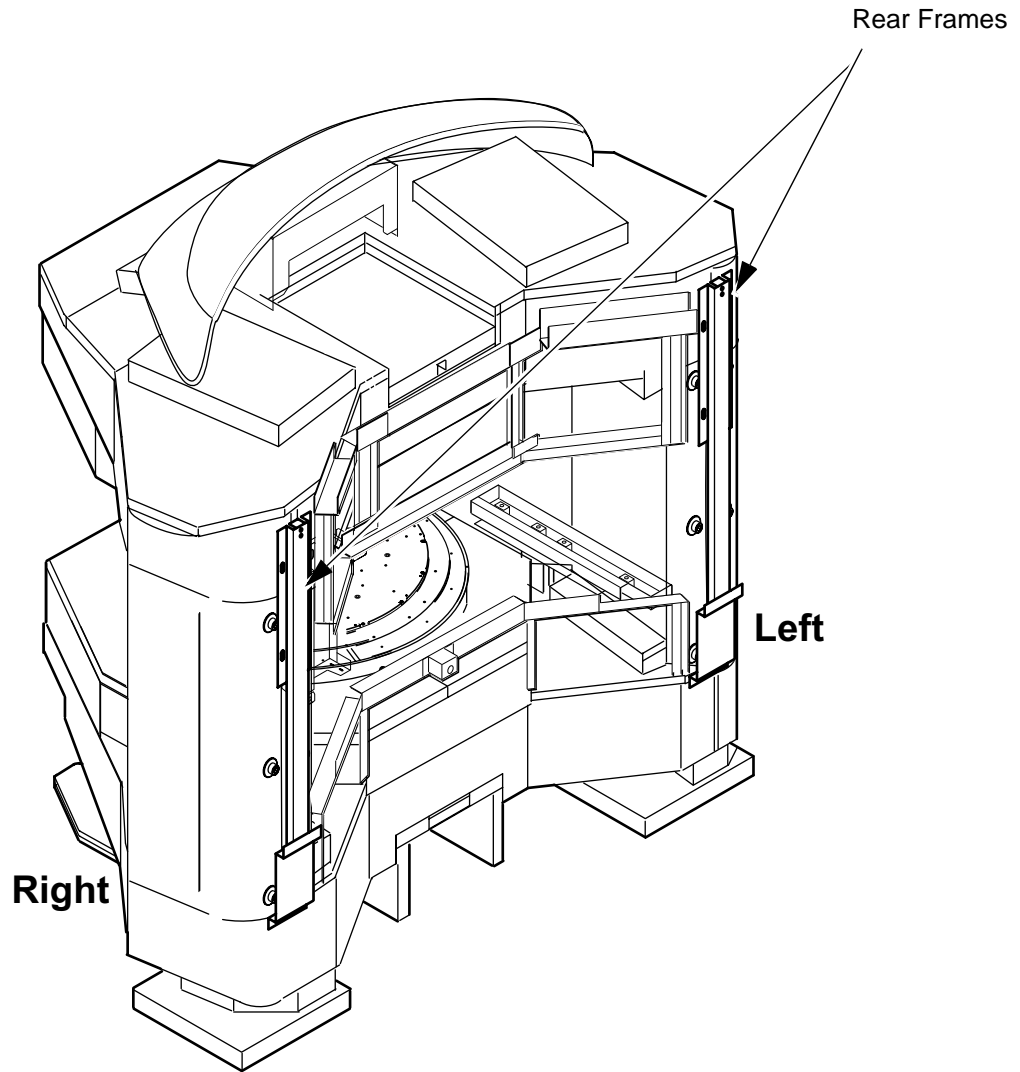
# MAGNET REAR FRAME INSTALLATION

## TABLE OF CONTENTS

1.Preparation .....	2
2.Rear Frame Installation.....	3

**1. Preparation**

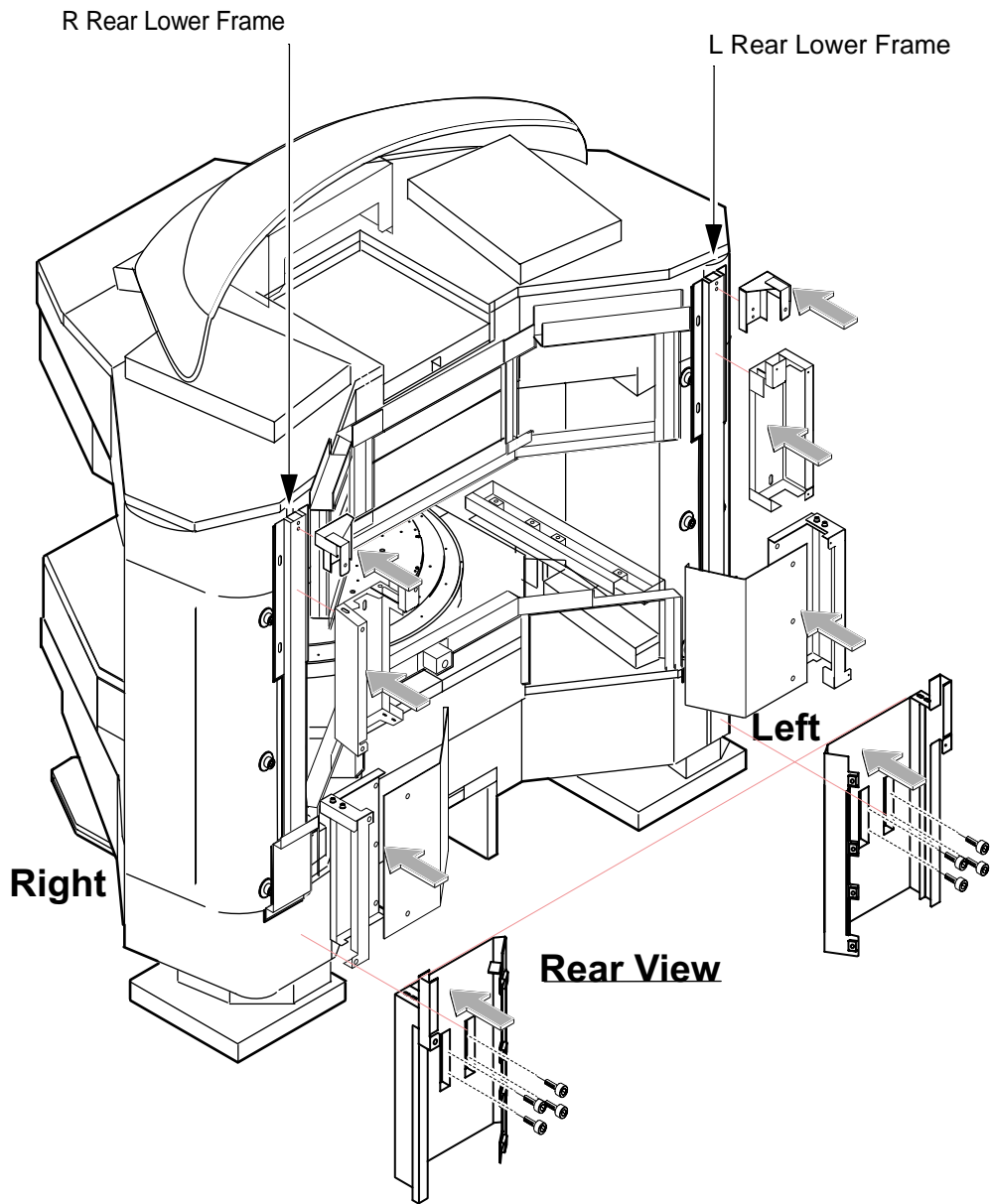
1. Verify that the following frames are already installed before starting the frame installation.



**FRAMES BEFORE STARTING THE INSTALLATION**  
ILLUSTRATION 1-1

## 2. Rear Lower Frame Installation

1. Install R and L Rear Frames to the magnet rear frame.



**REAR LOWER FRAME INSTALLATION**  
ILLUSTRATION 1-2