

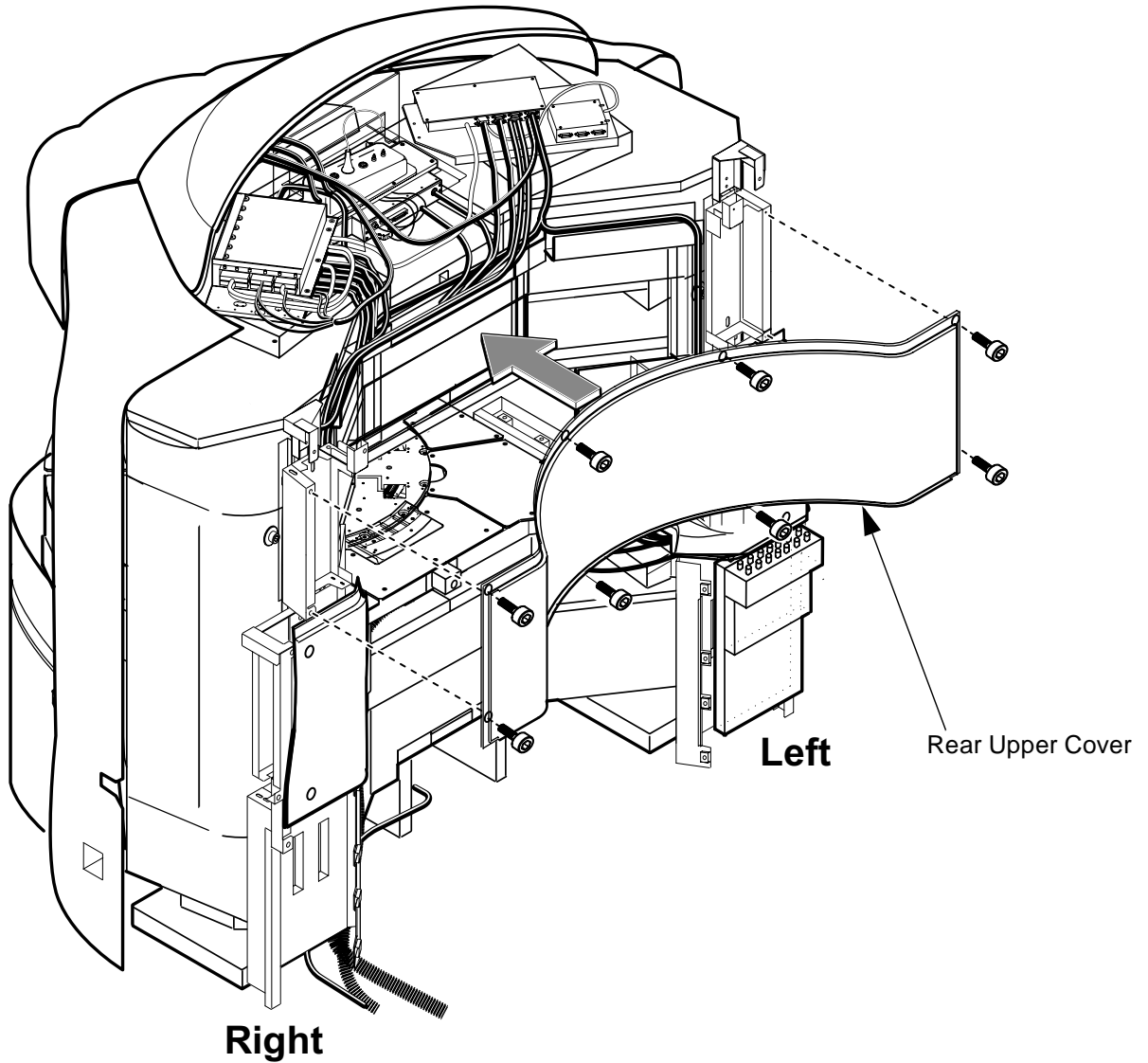
MAGNET REAR COVER INSTALLATION

TABLE OF CONTENTS

1.Rear Upper Cover	2
2.Rear Lower Cover	3
3.Floor Cover	4
4.Ceiling Cover	5
5.P-Light Cover	6
6.PCM Cover	7
7.Top Cover	8
8.QHB / Blind Cover	9
9.Corner Cover.....	10

1. Rear Upper Cover

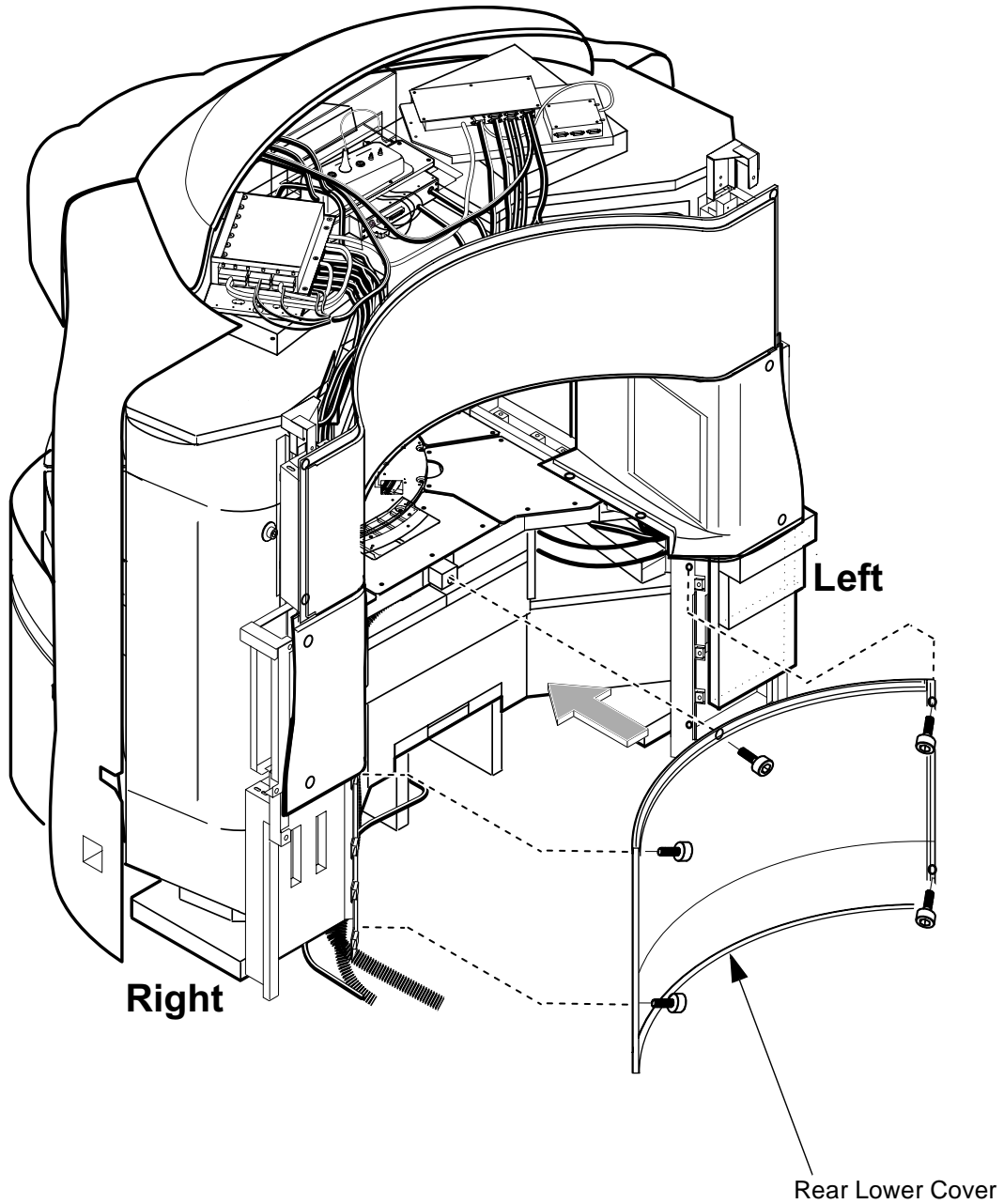
1. Check that the all connection and routing of cables and units are normal.
2. Install REAR UPPER Cover to the Rear side of the magnet with 8 screws.



**REAR UPPER COVER INSTALLATION
ILLUSTRATION 1-1**

2. Rear Lower Cover

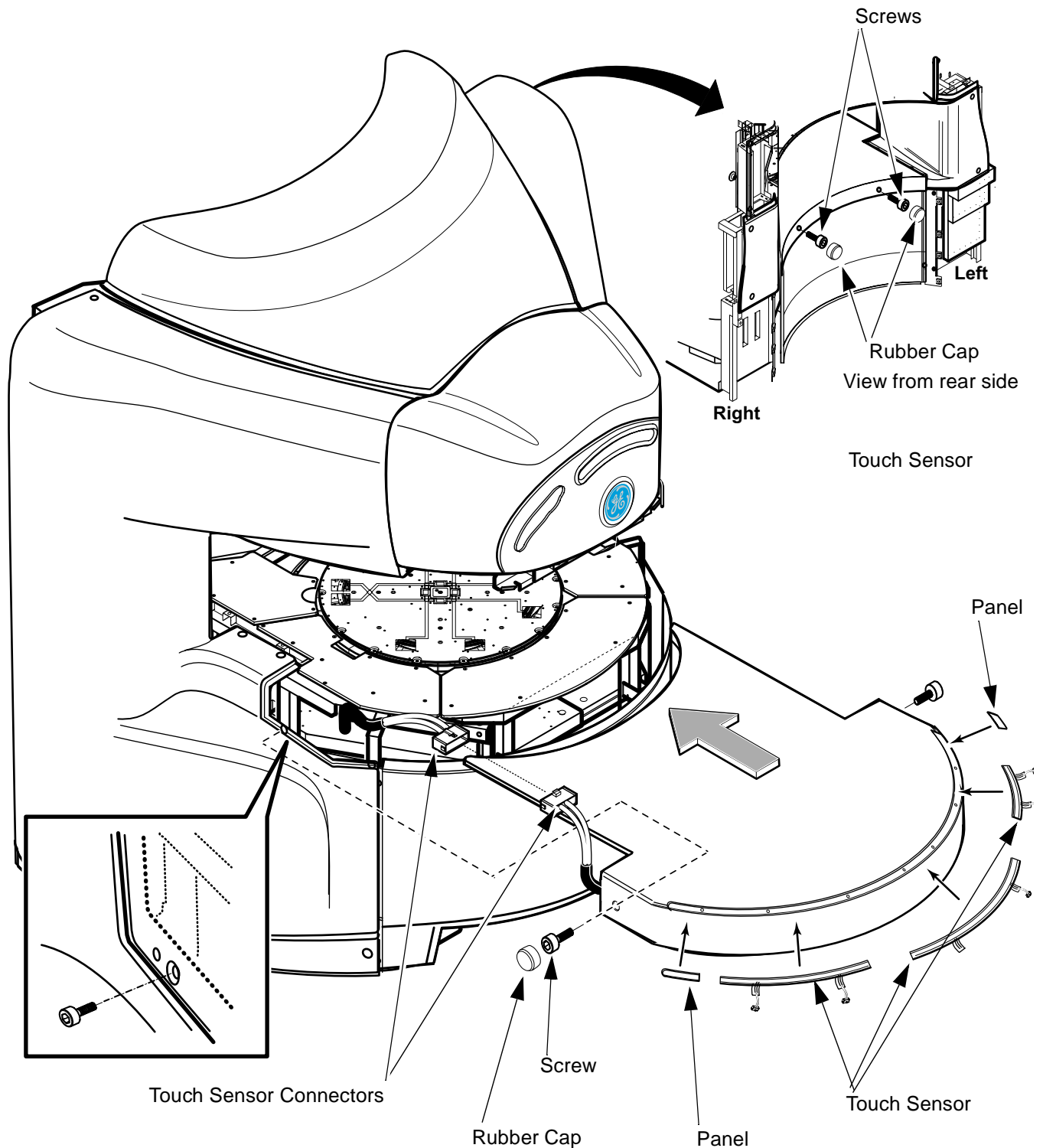
1. Install REAR LOWER Cover to the Rear side of the magnet with 5 screws.



**REAR LOWER COVER INSTALLATION
ILLUSTRATION 2-1**

3. Floor Cover

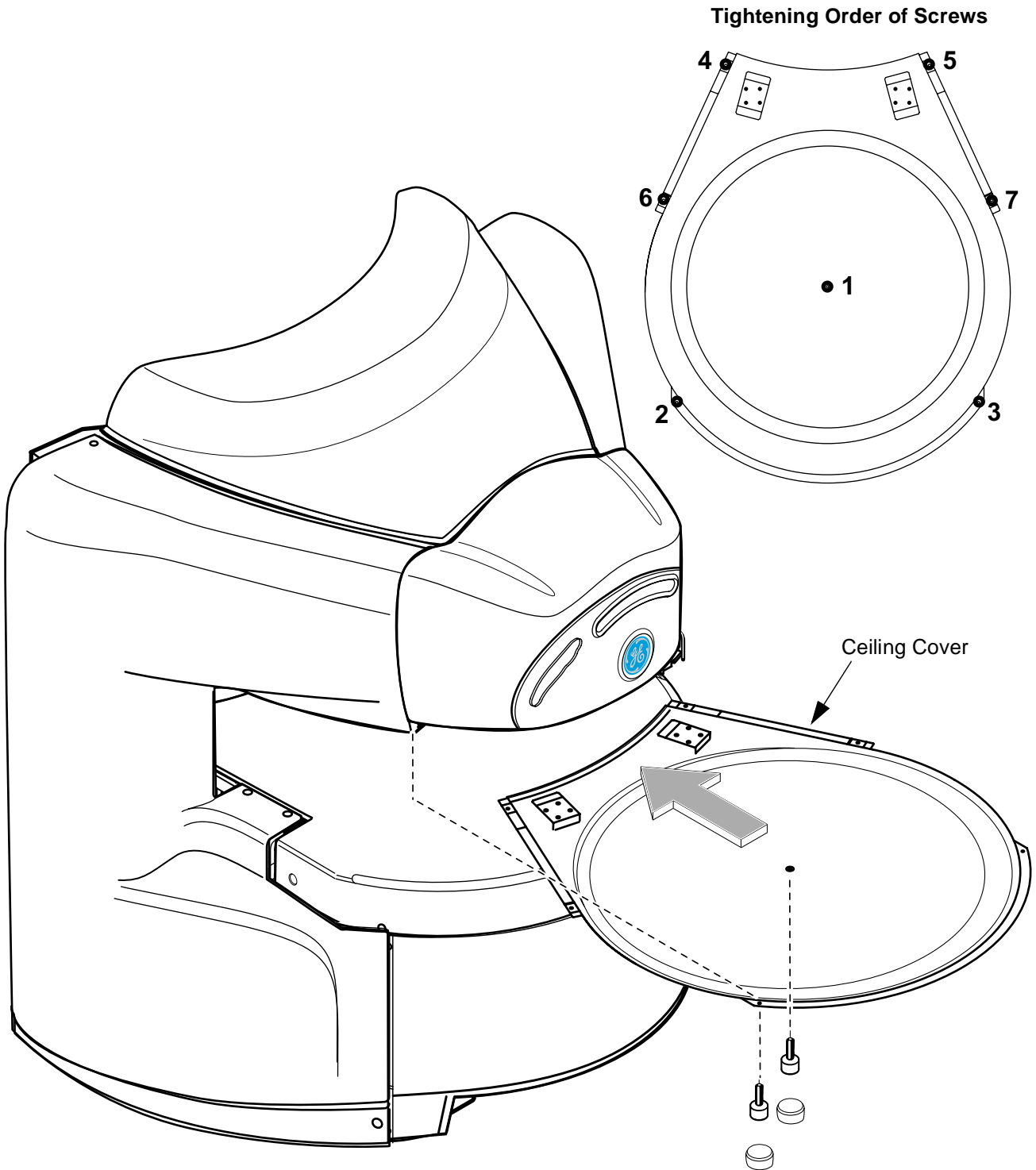
1. Attach the Touch Sensor to front side of floor cover.
2. Put the Floor Cover onto the lower coil, and then connect the cables of touch sensor.
3. Install Floor Cover onto the lower coil with 4 screws.



FLOOR COVER INSTALLATION
ILLUSTRATION 3-1

4. Ceiling Cover

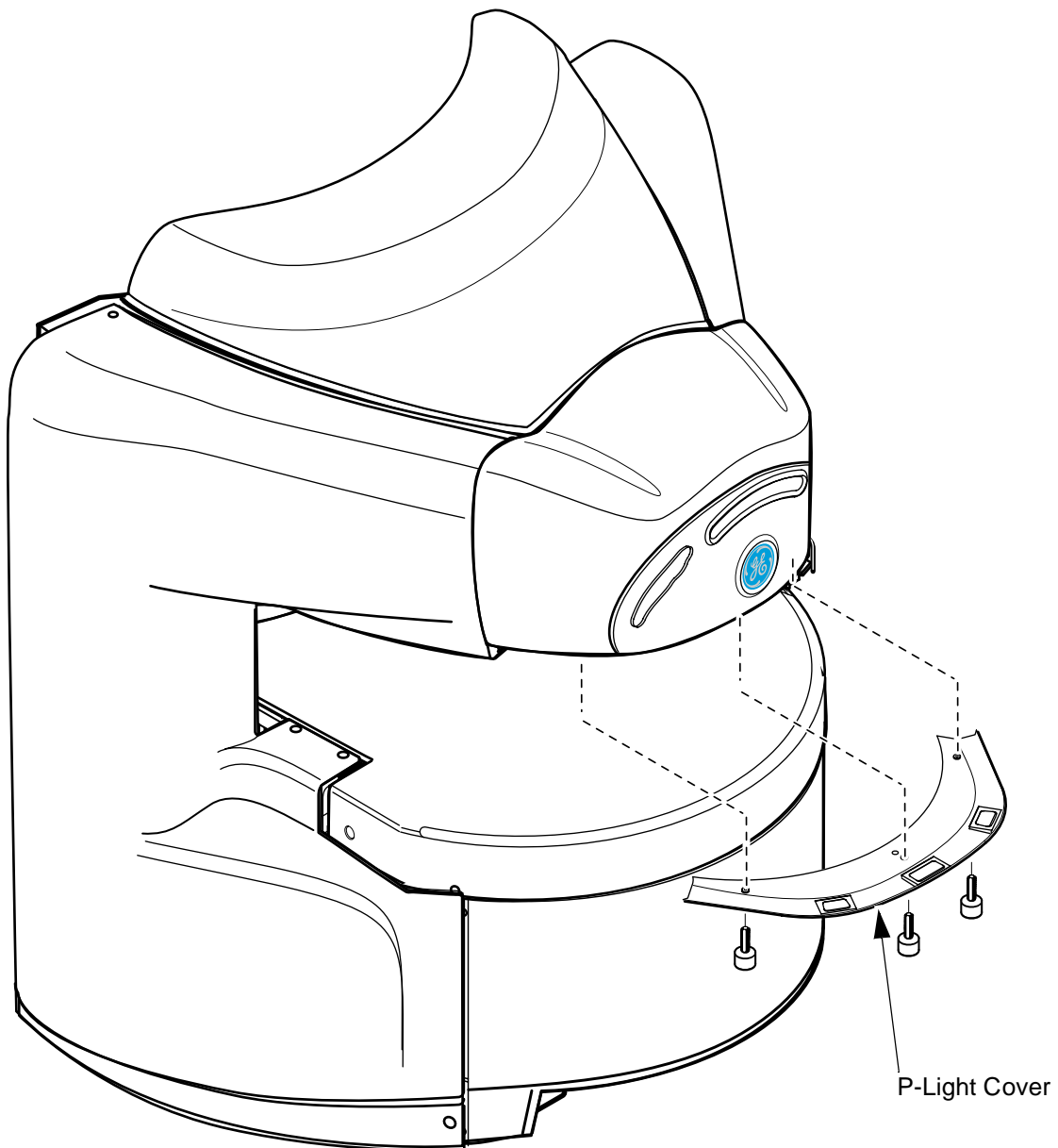
1. Install CEILING Cover onto the upper YOKE with 7 screws.



CEILING COVER INSTALLATION
ILLUSTRATION 4-1

5. P-Light Cover

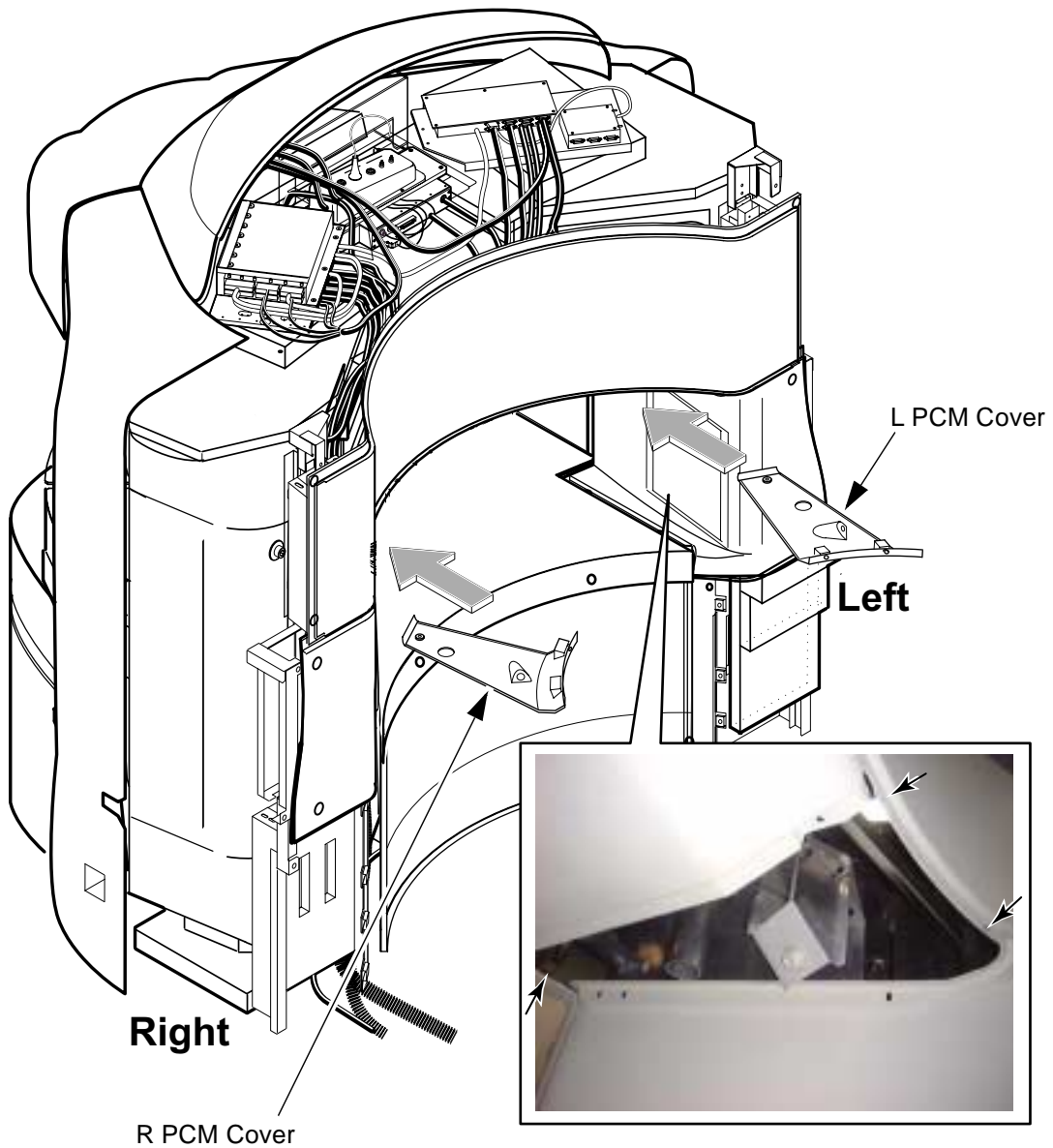
1. Install P-LIGHT Cover under the P-Light with three screws.



P-LIGHT COVER INSTALLATION
ILLUSTRATION 5-1

6. PCM Cover

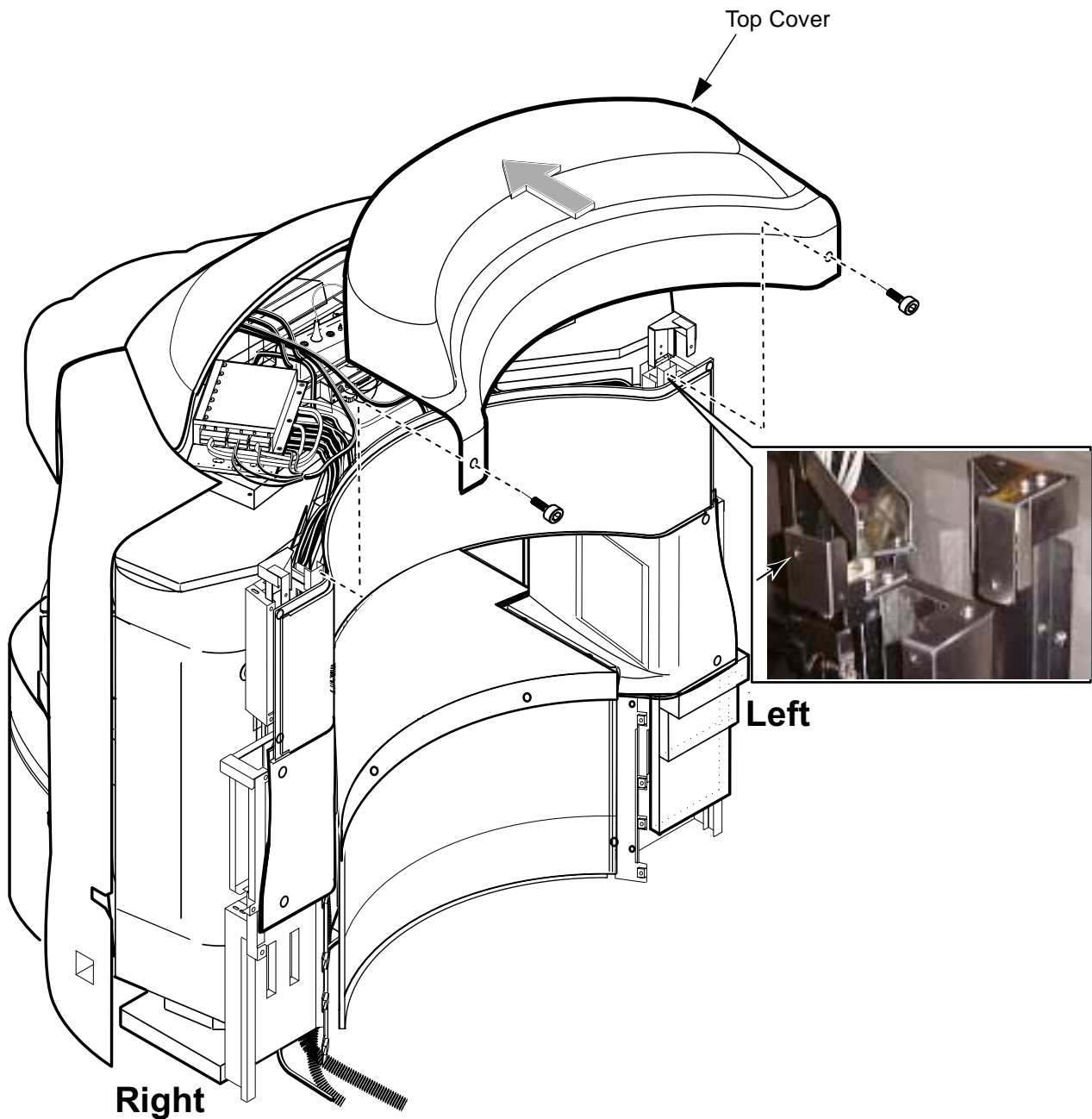
1. Install two PCM Covers onto the upper ceiling with three screws for each cover.



PCM COVER INSTALLATION
ILLUSTRATION 6-1

7. Top Cover

1. Install Top Cover onto the top of the magnet with 2 screws.

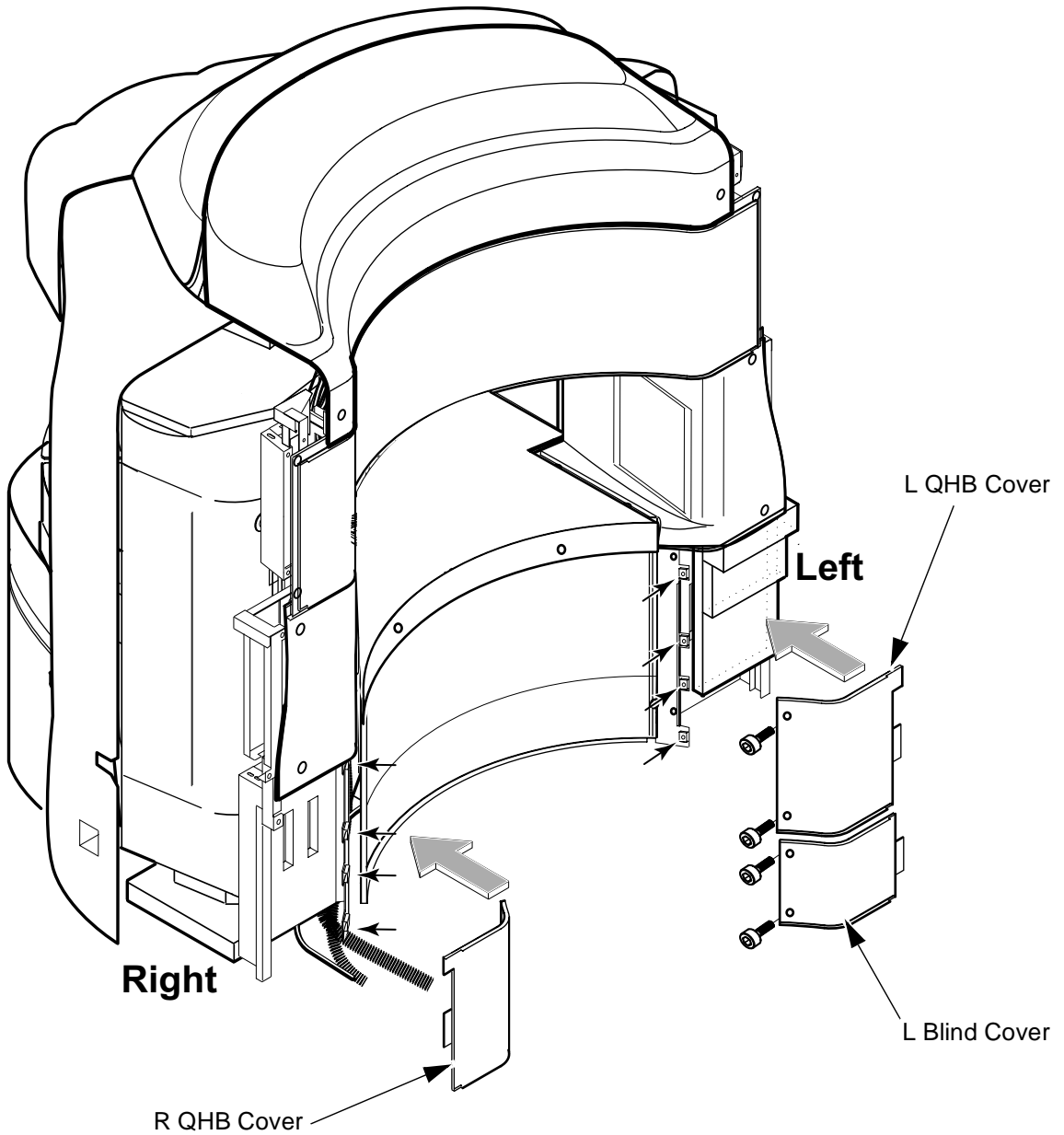


TOP COVER INSTALLATION
ILLUSTRATION 7-1

8. QHB / Blind Cover

1. Install two QHB Covers to the rear side of the Magnet with 2 screws for each cover.
2. Install two DUCT BLIND Covers to the rear side of the Magnet with 2 screws for each cover.

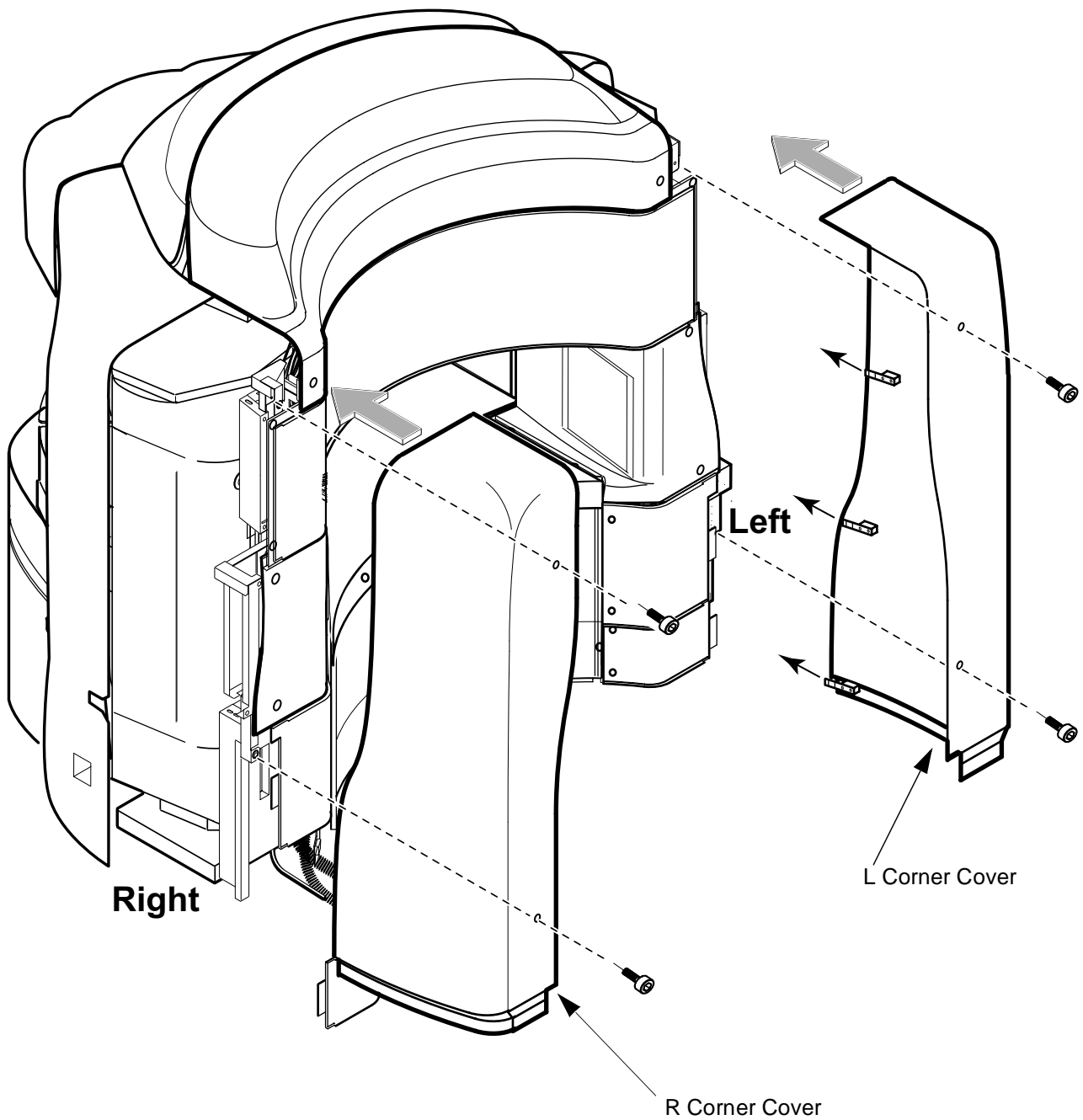
NOTE:
The illustration is R side wiring.



QHB / BLIND COVER INSTALLATION
ILLUSTRATION 8-1

9. Corner Cover

1. Install two CORNER Covers to the left and right side of the Magnet with 2 screws for each cover.



CORNER COVER INSTALLATION
ILLUSTRATION 9-1