

MAGNET FRONT COVER INSTALLATION

TABLE OF CONTENTS

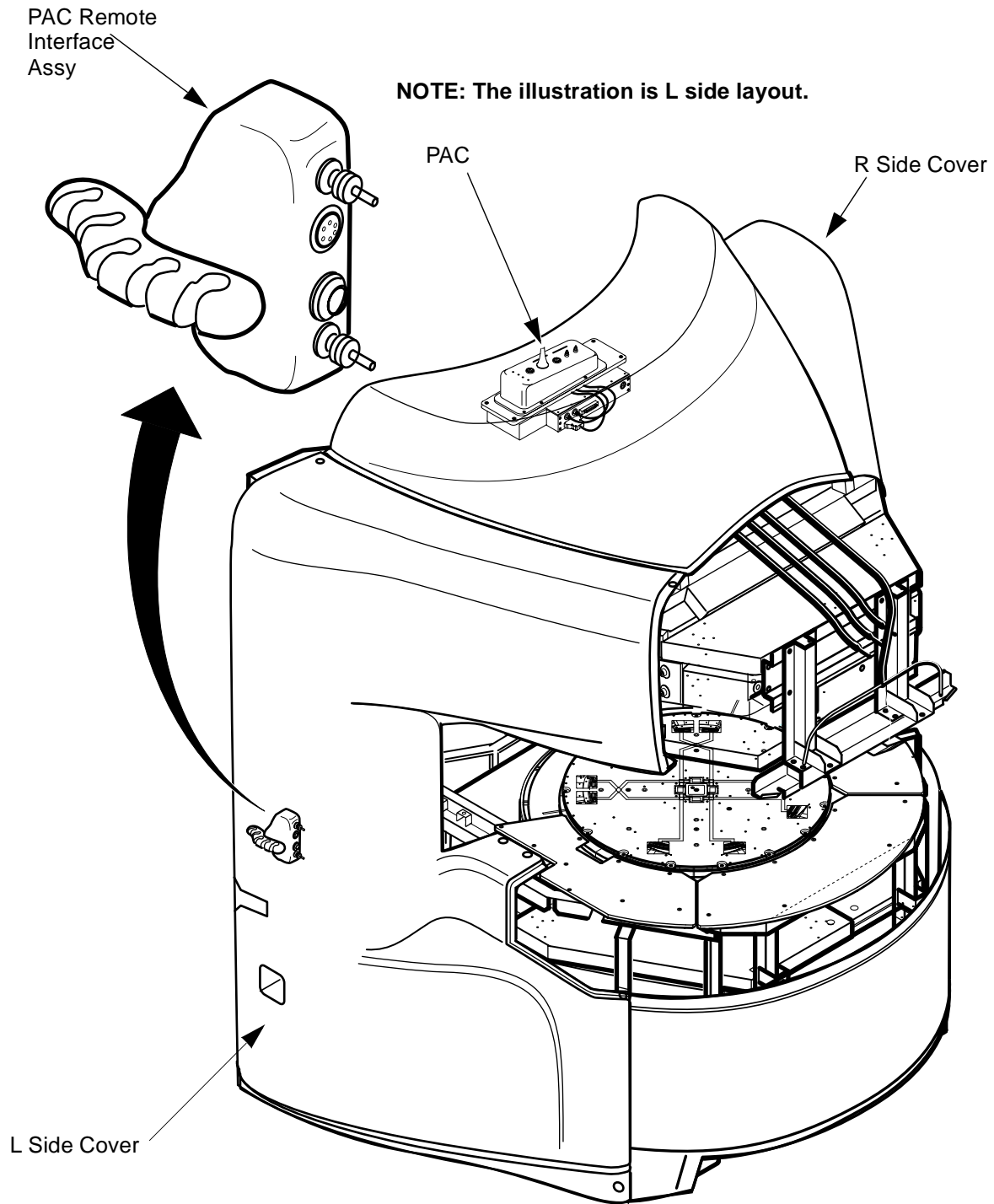
1.DETERMINE PAC REMOTE INTERFACE LOCATION	2
2.Apron Cover	3
3.Side Cover	4
4.Front Cover	8
5.Post Cover	10
6.Rear Deck Plate	11



FERROUS MATERIAL HAZARD! THE CRIMP TOOL, AND OTHER TOOLS AND PARTS REQUIRED FOR THIS INSTALLATION CONTAIN FERROUS MATERIAL AND WILL BE STRONGLY ATTRACTED TO MAGNET AND MAY BECOME DANGEROUS PROJECTILES. IF MAGNET IS AT FULL FIELD – KEEP ALL FERROUS TOOLS AT LEAST 10 FEET AWAY FROM THE MAGNET.

1. DETERMINE PAC REMOTE INTERFACE LOCATION

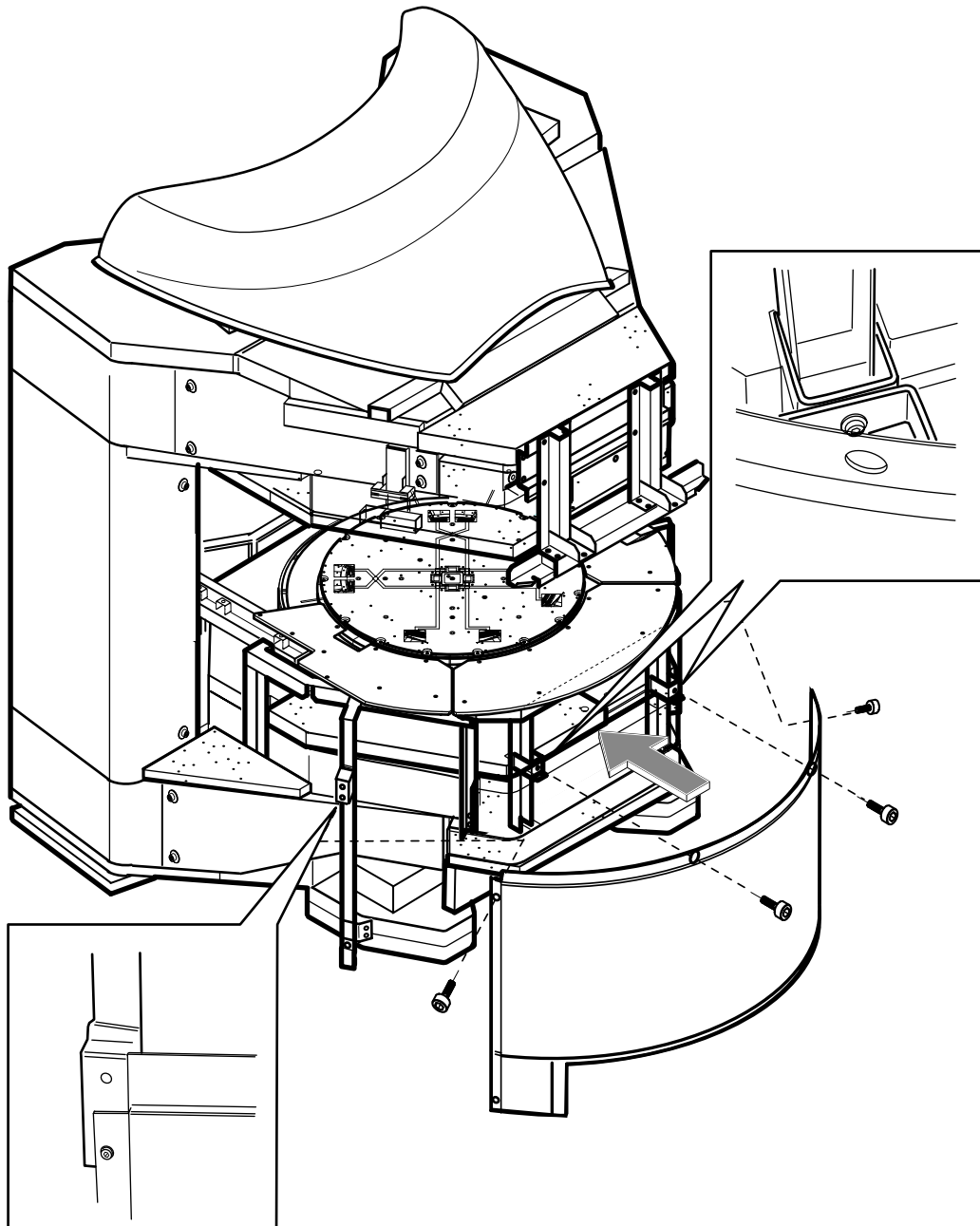
1. Consult with customer to determine which side of magnet PAC Remote Interface Assy should be located.



DETERMINE PAC REMOTE INTERFACE LOCATION
ILLUSTRATION 1-1

2. Apron Cover

1. Install the Apron Cover to the front and side frame of the Magnet with 4 screws.



APRON COVER INSTALLATION
ILLUSTRATION 2-1

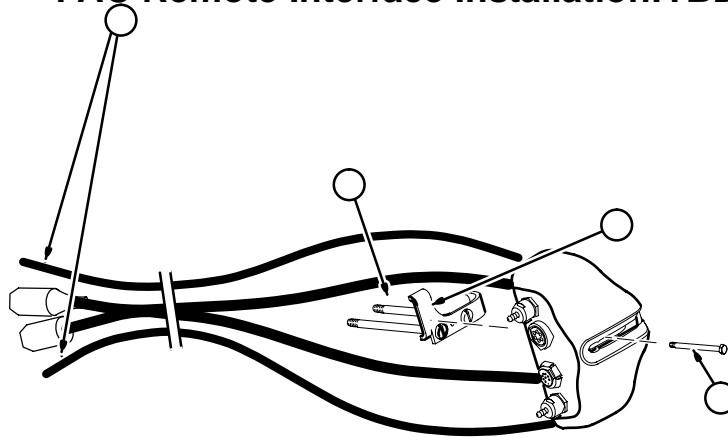
3. Side Cover



At least two people are required to install the Side Covers.

1. Consult with customer to determine which side of magnet PAC Remote Interface Assy should be located.
2. Install the PAC Remote Interface Assy to the L or R Side Cover according to site layout.
 - a. Apply tape around end of pneumatic tubes and mark "TOP" to the opposite end of the tube connected to the top connector in the Remote PAC Interface Assembly and "BOTTOM" to the tube connected to the lower connector.
 - b. Insert two (2) screws M6 x 70mm (2109873-33) screws into Clip (2221023).
 - c. Insert Clip with screws into shell as shown with top cable and tube above Clip and bottom cable and tube below.
 - d. Hold in place by inserting provided M4 screw thru slot and turning about 3 or 4 turns into Clip.

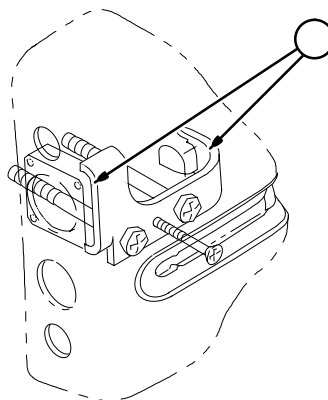
PAC Remote Interface Installation:TBD 2000 DEC.4.



PREPARE CABLES AND TUBES FOR ROUTING
ILLUSTRATION 3-1

- e. Make sure each side of clip is mounted behind housing blocks.

PAC remote Interface Installation:TBD 2000 DEC.4.



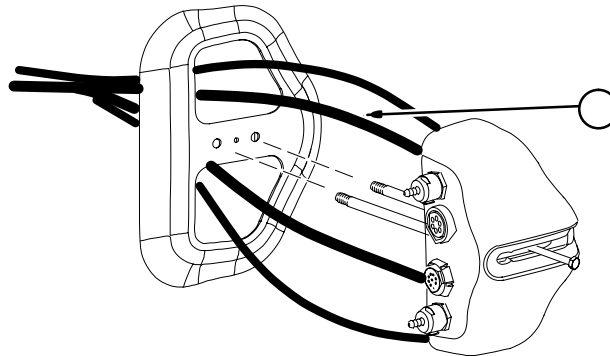
POSITION REMOTE PAC INTERFACE MOUNTING CLIP
ILLUSTRATION 3-2

- f. Insert ECG Cable first. Route this thru premounted foam tube (if available) located on inside of Arc cover.
- g. Route Peripheral Pulse cable and tubes next.

Note:

Top two cables will be routed thru top opening and bottom two cables will be routed thru lower opening.

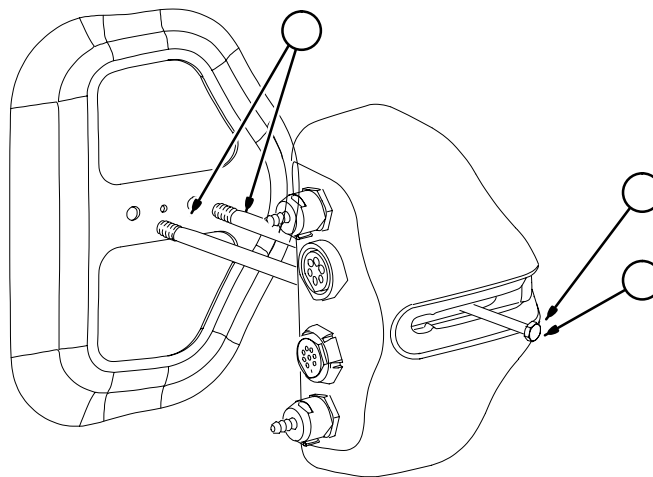
PAC Remote Interface Installation:TBD 2000 DEC.4.



**ROUTE REMOTE PAC INTERFACE CABLES AND TUBES
ILLUSTRATION 3-3**

- h. Use M4 screw thru slot to lift and guide small end of Clamp over block inside housing.
- i. Using screwdriver thru housing slot, tighten down the M6 screws to lock housing in place.
- j. Remove M4 screw and save for use at later time since it would be required if Remote PAC Interface Assembly would need to be removed at any time in the future. OR Turn the M4 screw inward until there is clearance for sliding the PAC Hanger Bar in T5 into place.

PAC Remote Interface Installation:TBD 2000 DEC.4.



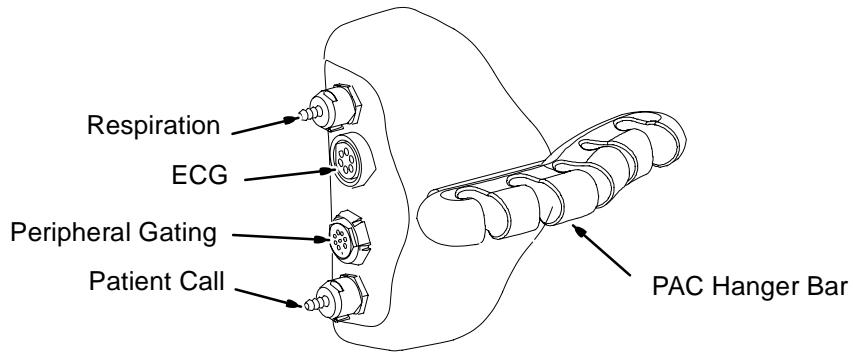
PAC Remote Interface Assy

**INSTALLING REMOTE PAC INTERFACE
ILLUSTRATION 3-4**

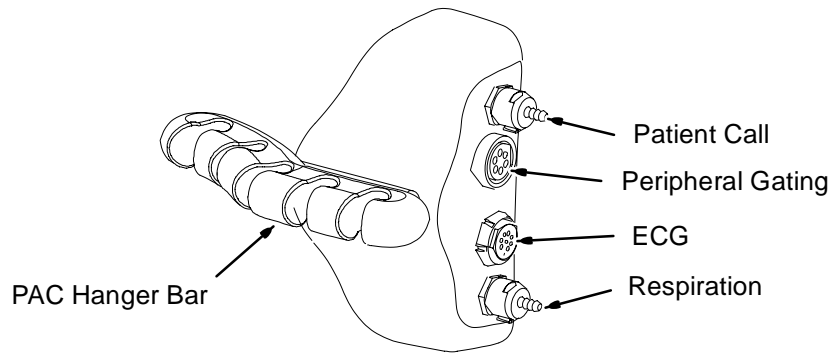
- k. Attach cables as indicated below.
- l. Slide PAC Hanger Bar (2221023) into position.

PAC Remote Interface Installation:TBD 2000 DEC.4.

R Side Layout

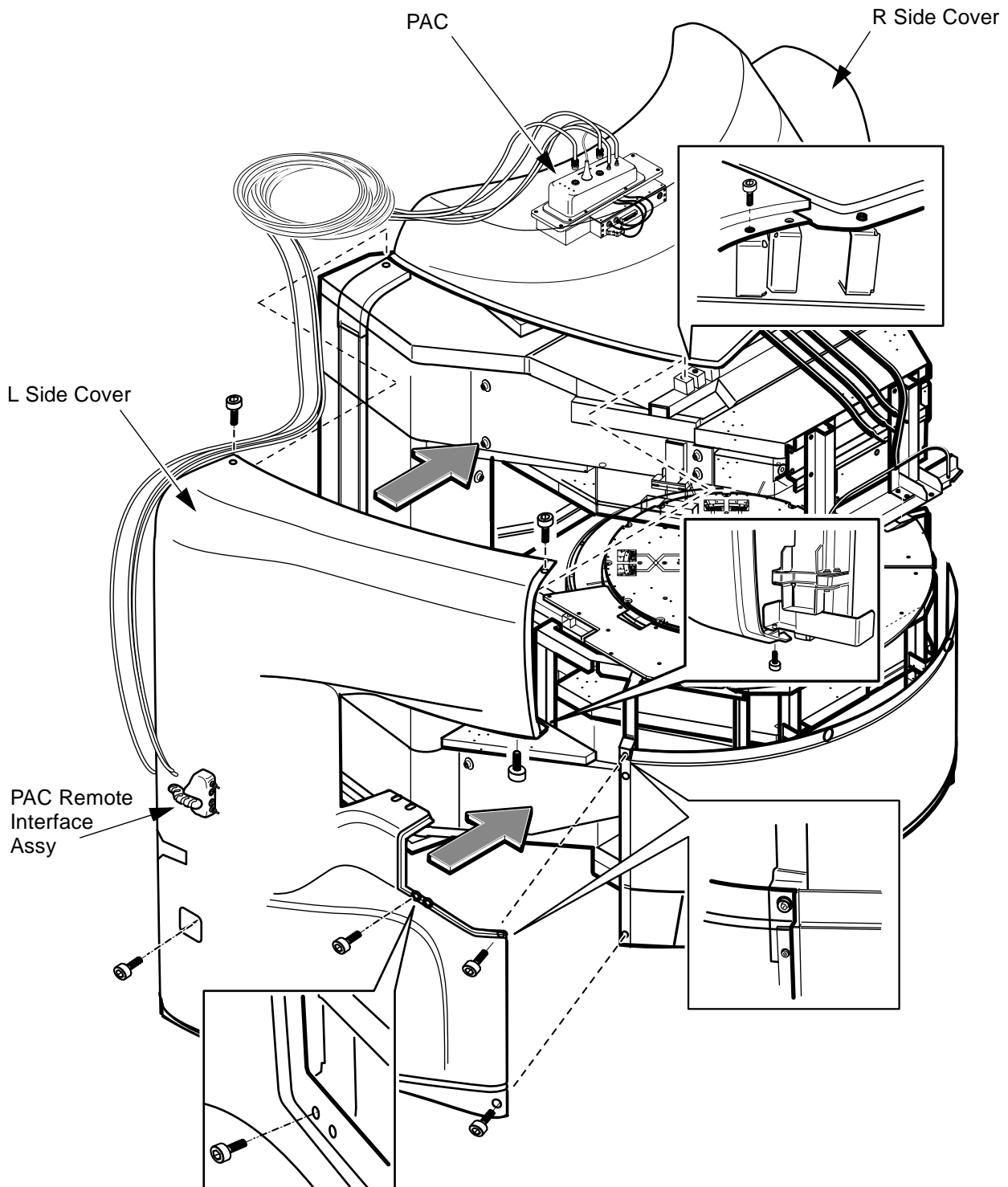


L Side Layout



**INSTALL PAC HANGER BAR
ILLUSTRATION 3-5**

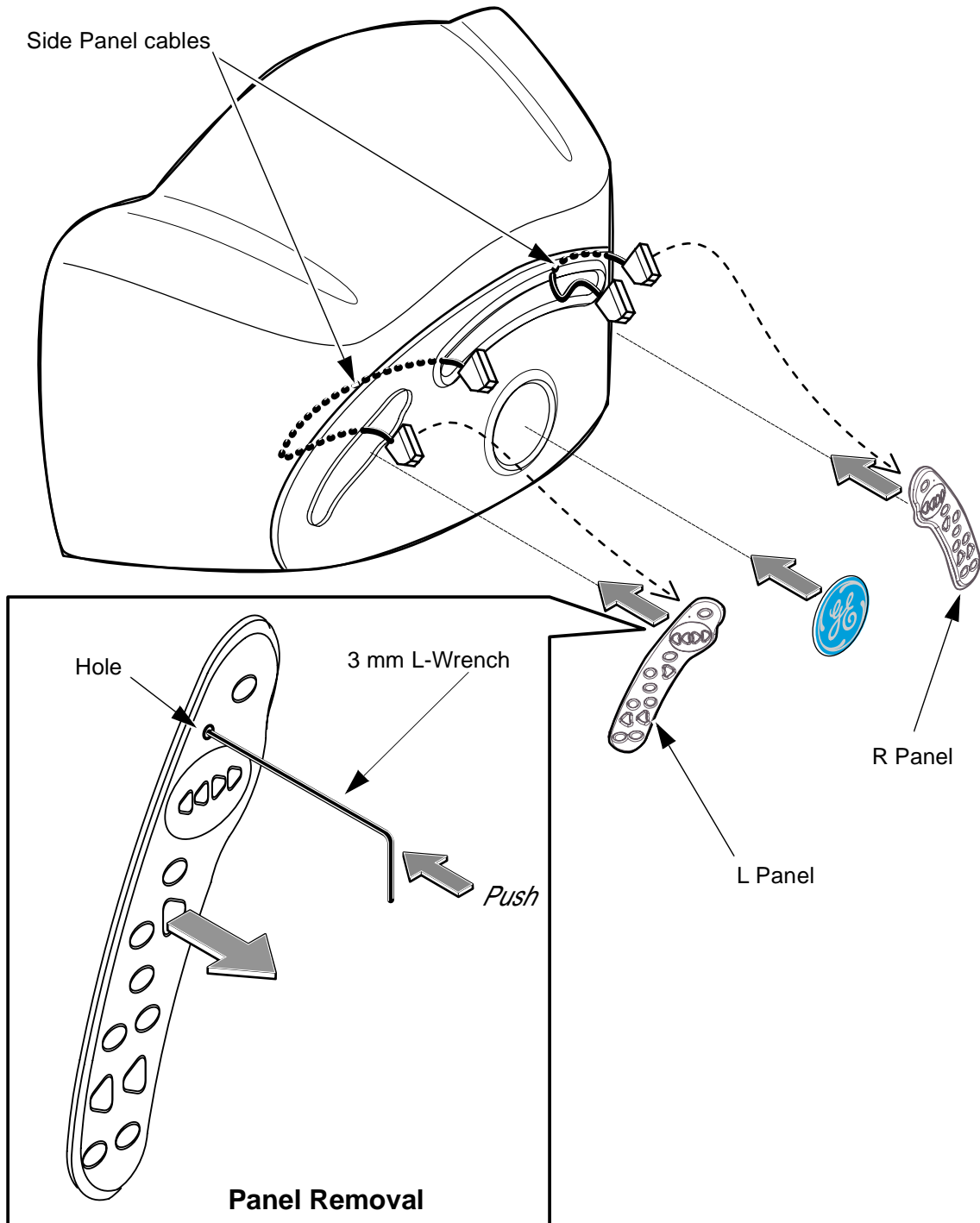
- 3. Install two SIDE Covers to the left and right side of the Magnet with 9 screws for each cover.
- 4. Route and connect the cables of PAC Remote Interface Assy to PAC on the magnet.



SIDE COVER INSTALLATION
ILLUSTRATION 3-6

4. Front Cover

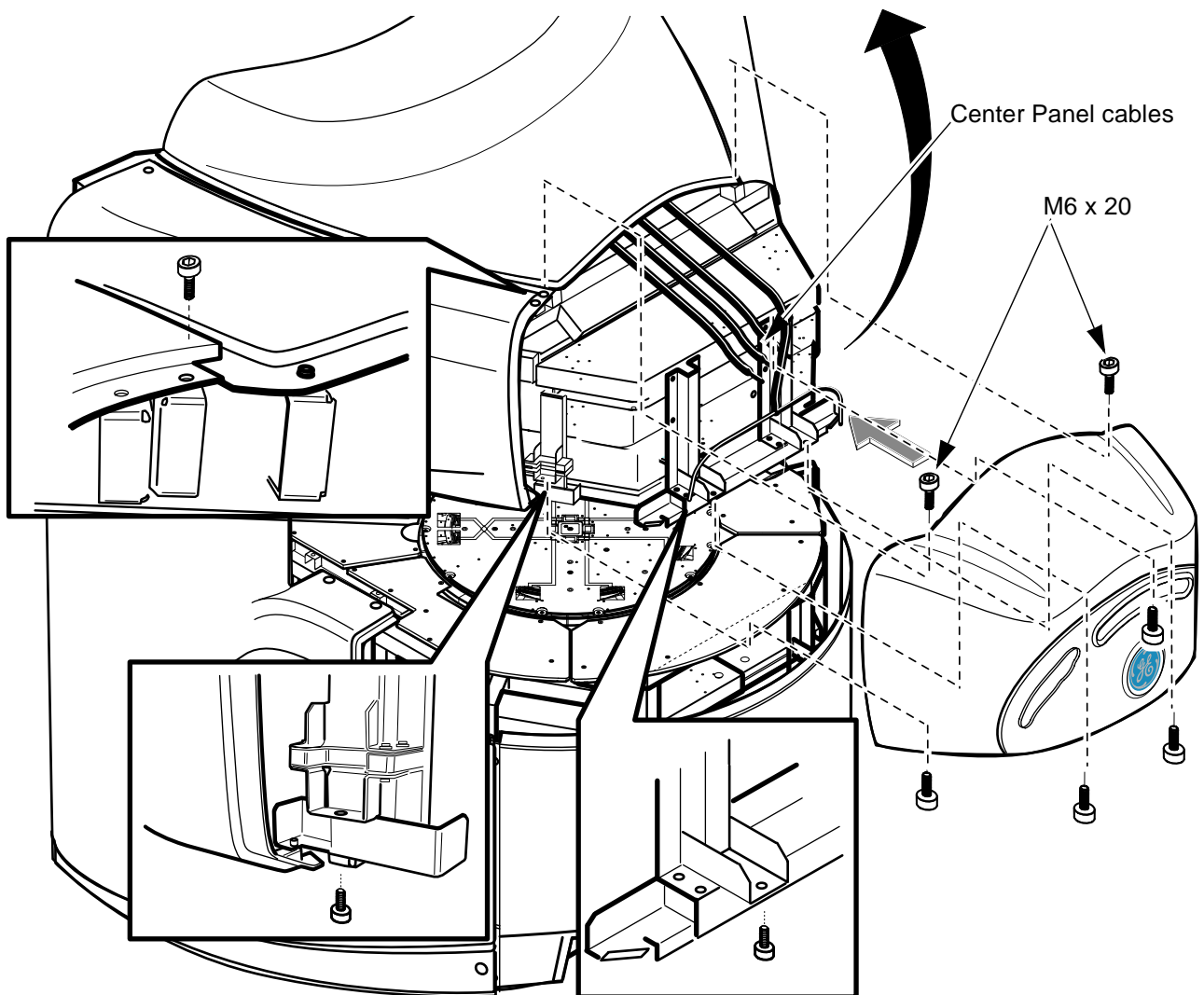
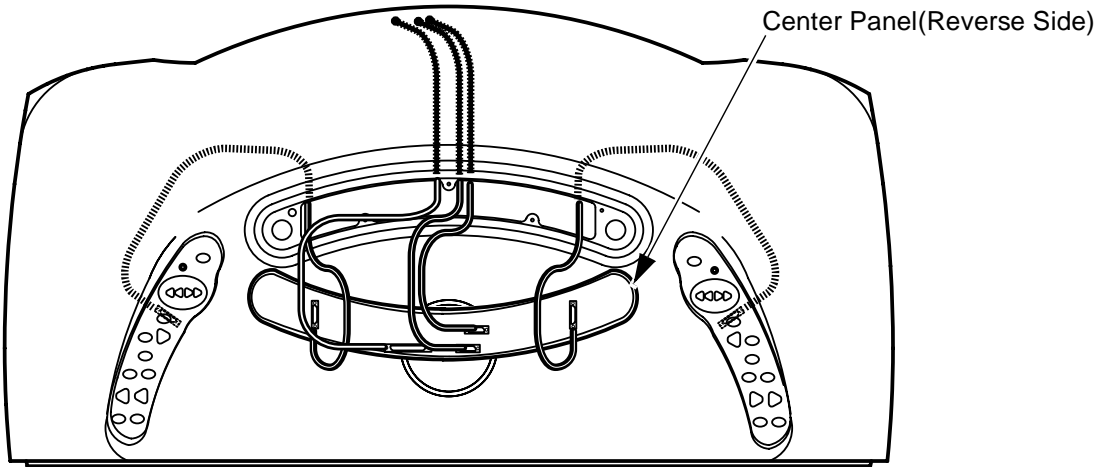
1. Route the panel cables from side panel holes to center panel hole.
2. Connect the cable to L panel, and attach the L panel to front cover.
3. Connect the cable to R panel, and attach the R panel to front cover.



FRONT COVER INSTALLATION
ILLUSTRATION 4-1

4. Install the Front Cover to the Magnet front side with 6 screws, then draw the cables of front panel to center hole of front cover.
5. Connect the all cables to center panel, and attach the center panel to front cover.

Cable and Connector Routing (Front View)

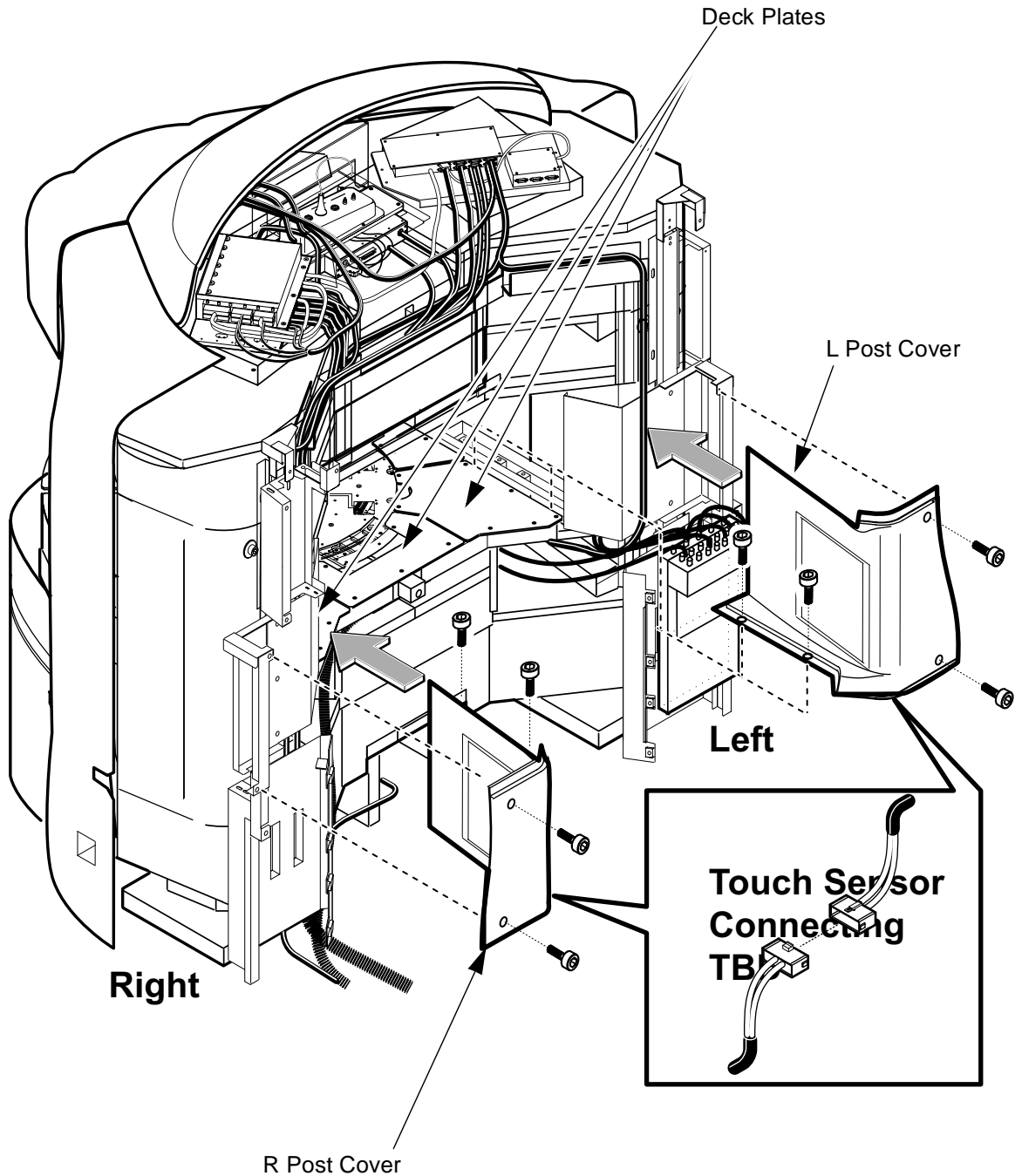


FRONT COVER INSTALLATION
ILLUSTRATION 4-2

5. Post Cover

1. Install two Post Covers to the left and right side of the magnet frame with 4 screws for each cover.
2. Install L rear,R rear and rear deck plates to rear lower frame.

**Touch Sensor Wiring and connecting TBD
Deck plate illustration TBD**

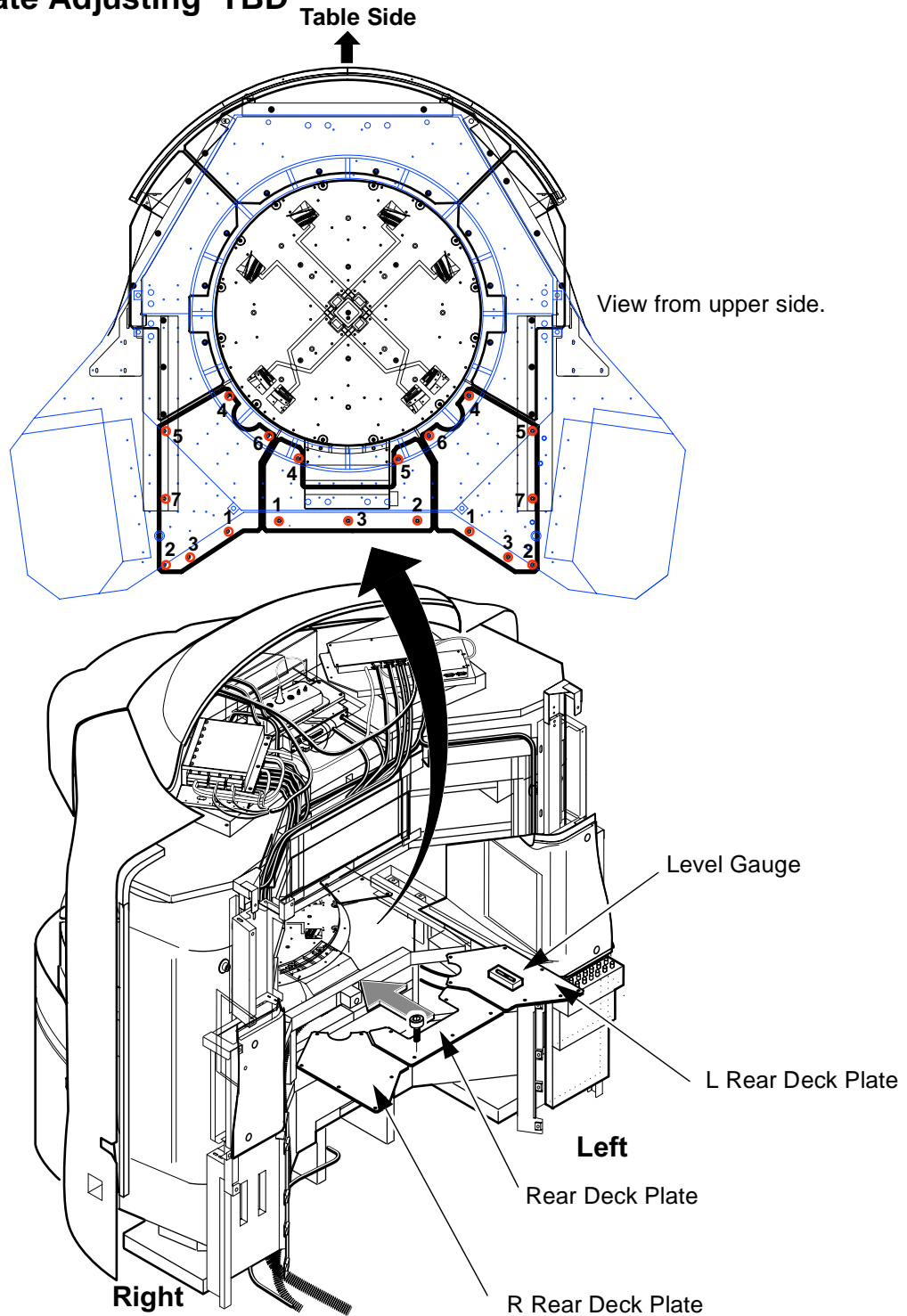


**POST COVER INSTALLATION
ILLUSTRATION 5-1**

6. Rear Deck Plate

1. Check that the all connection and routing of cables and units are normal.
2. Install Rear Deck Plates with 19 screws(temporary tightening) onto the rear lower frames.
3. Check that the front and rear deck plates are horizontal surface with level gauge.
4. Tighten the 19 screws on rear deck plates.(Plate Height Adjusting TBD)

Touch Sensor Wiring and connecting TBD
Rear Deck plate Adjusting TBD



POST COVER INSTALLATION
ILLUSTRATION 6-1