

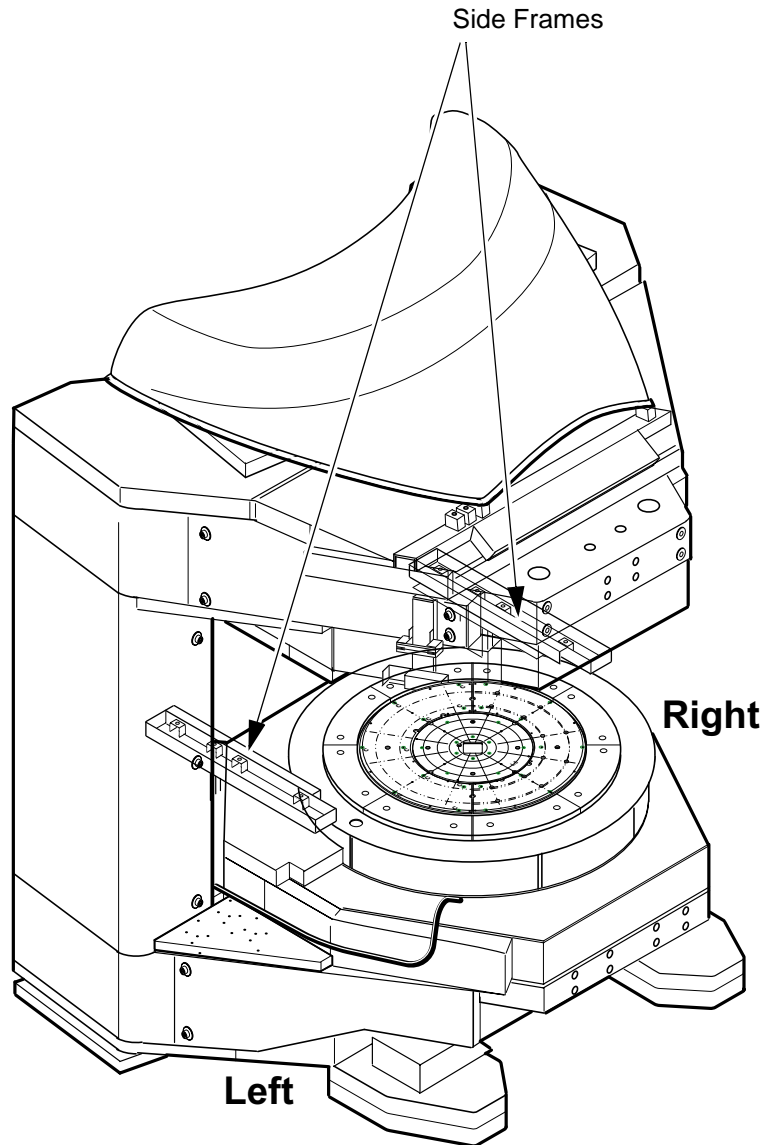
# MAGNET FRONT FRAME INSTALLATION

## TABLE OF CONTENTS

1.Preparation .....	2
2.Bottom Insulator Installation.....	3
3.Front Lower Frame Installation .....	4
4.Side Lower Frame Installation .....	5
5.Front Upper Frame Installation .....	6
6.Magnet Deck Plate(Front Side) Installation .....	7

**1. Preparation**

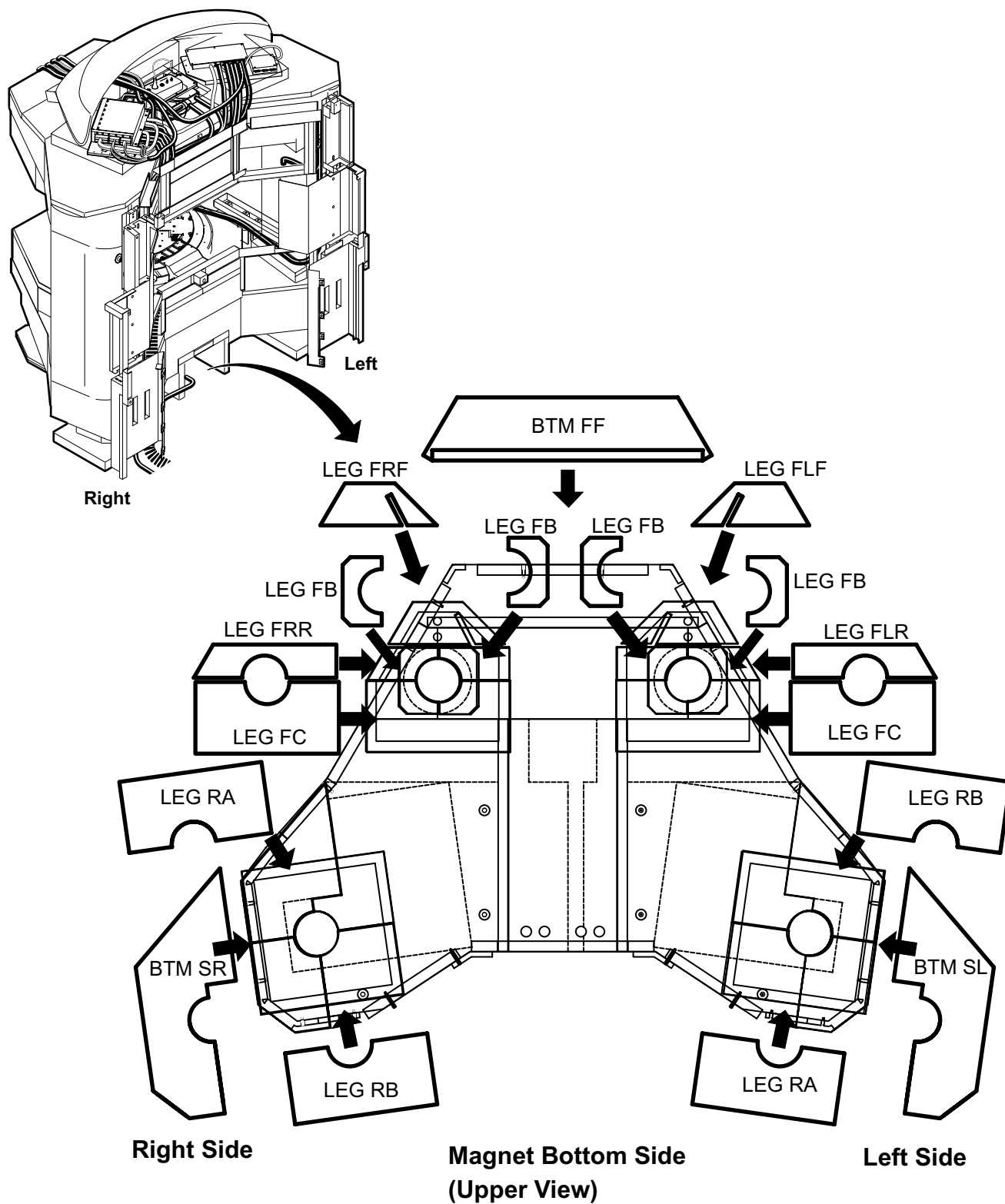
1. Verify that the following frames are already installed before starting the frame installation.



**FRAMES BEFORE STARTING THE INSTALLATION**  
ILLUSTRATION 1-1

## 2. Bottom Insulator Installation

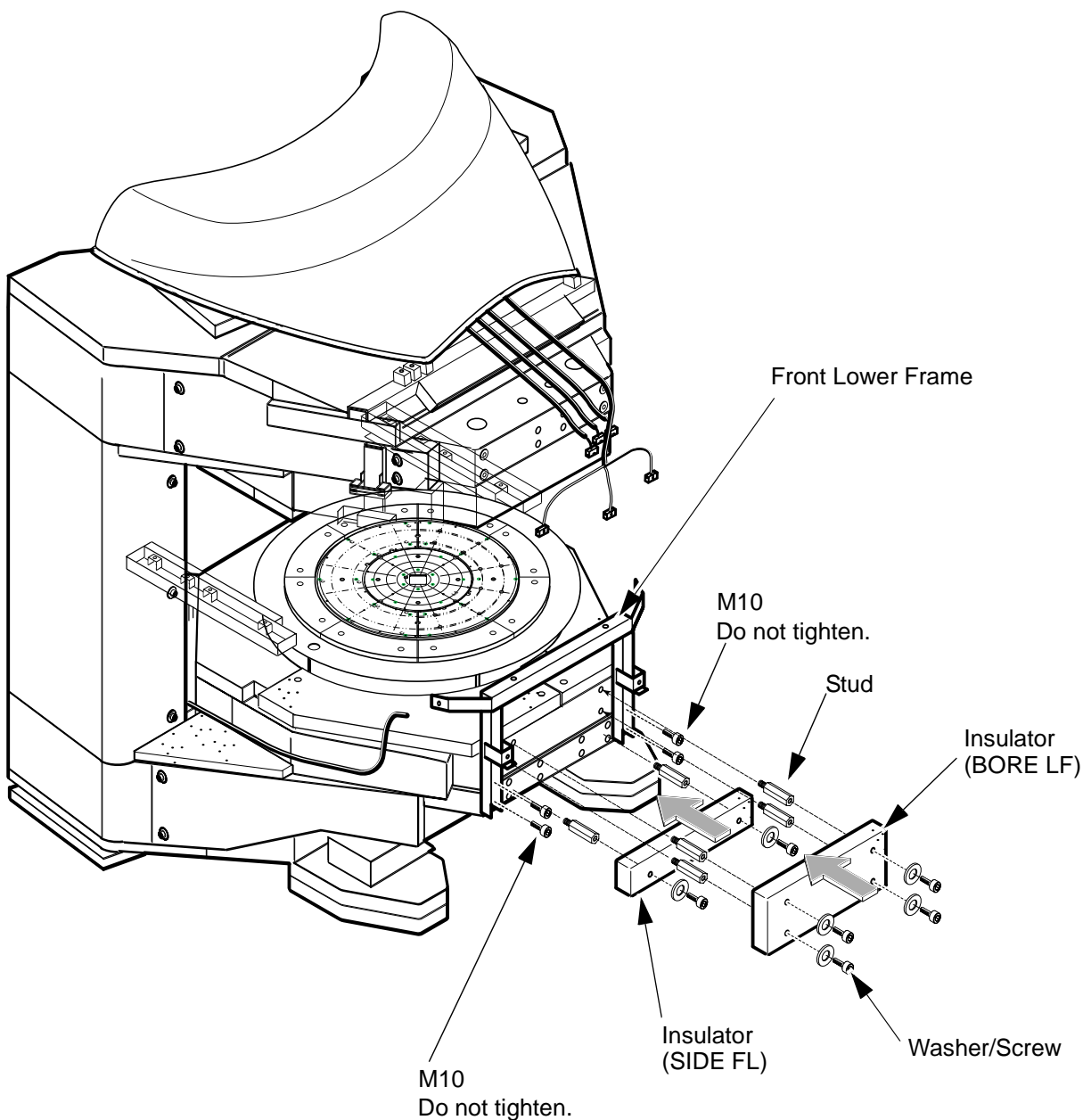
1. Install bottom insulators to the magnet bottom side as illustration.



FRONT LOWER FRAME INSTALLATION  
ILLUSTRATION 1-2

### 3. Front Lower Frame Installation

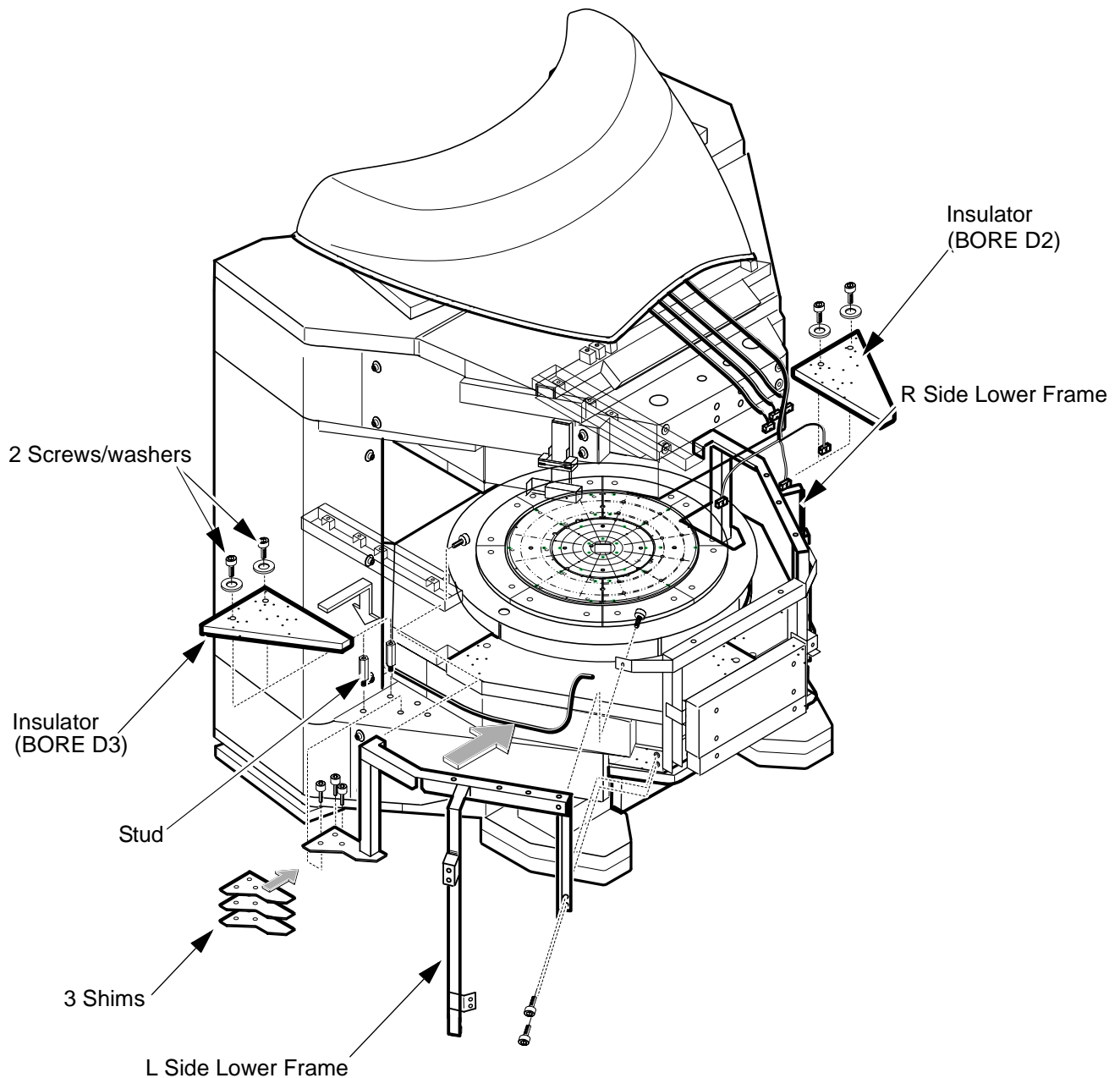
1. Install Front Lower frame with 4 screws(M10).Do not tighten.
2. Install Insulator(BORE LF) to the magnet with 4 studs and 4 washers/screws.
3. Install Insulator(BORE FL) to the magnet with 2 studs and 2 washers/screws.



**FRONT LOWER FRAME INSTALLATION  
ILLUSTRATION 1-3**

#### 4. Side Lower Frame Installation

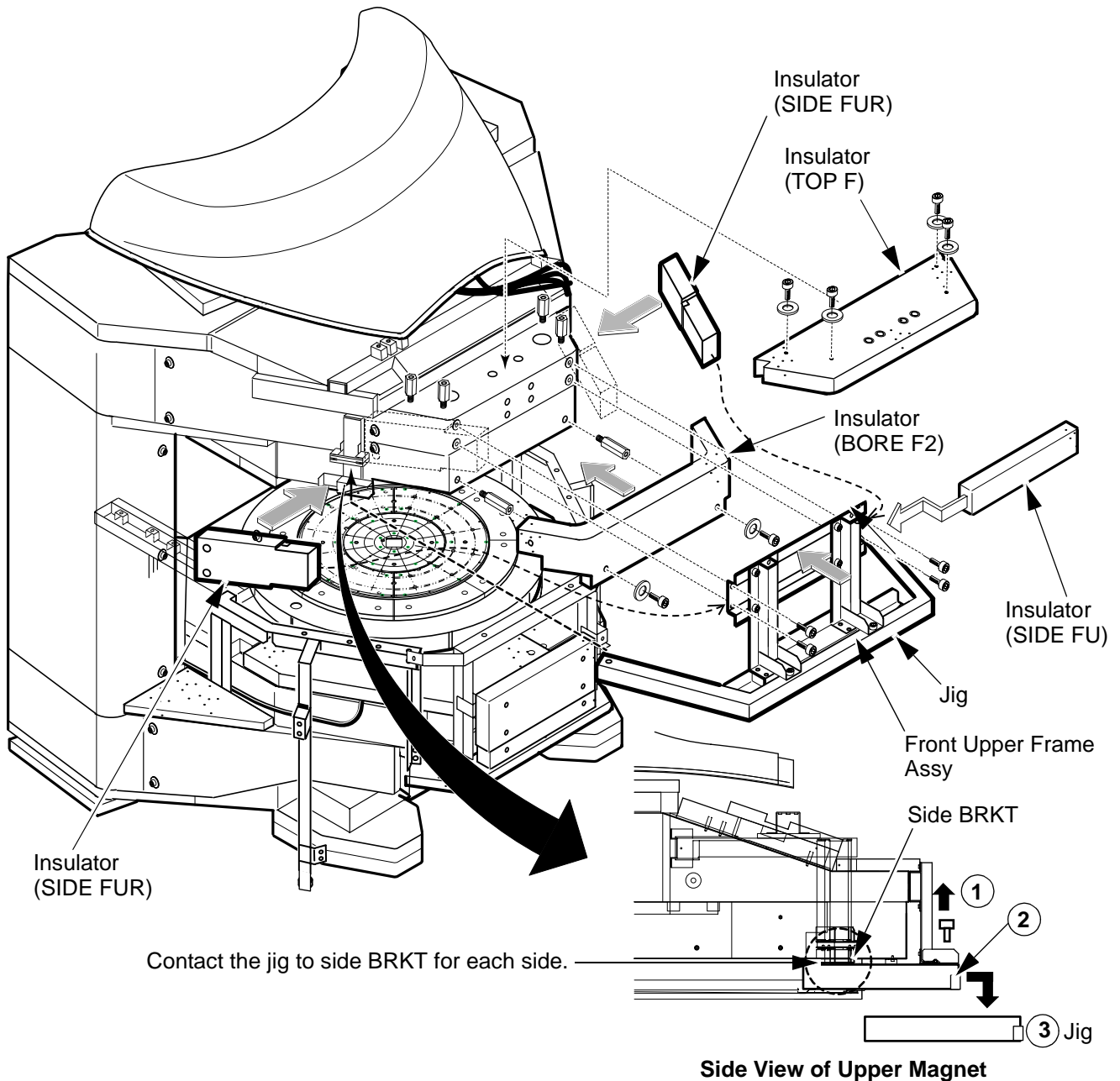
1. Install R and L Side Lower frames to the magnet with 3 shims and 7 screws for each frames.
2. Install Bore D3 and D2 Insulators to the magnet with 2 studs and 2 washers/screws for each insulators.



**SIDE LOWER FRAME INSTALLATION**  
ILLUSTRATION 1-4

**5. Front Upper Frame Installation**

1. Install Front Upper Frame Assy to the magnet with 4 screws. Do not tighten.
2. Lift front upper frame assy to upside, and tighten 4 screws contacting the jig to Side BRKT for each side.
3. Remove the jig from upper frame assy by loosening 2 screws.
4. Insert Insulator(SIDE FU) into BRKTs of front upper frame assy.
5. Insert Insulators(SIDE FURx2) into BRKTs of front upper frame.
6. Fix Insulators(SIDE FURx2) to the magnet upper side with 2 studs and 2 washers/screws for each side.
7. Install Insulator(TOP F) to magnet top side with 4 studs and 4 washers/screws.



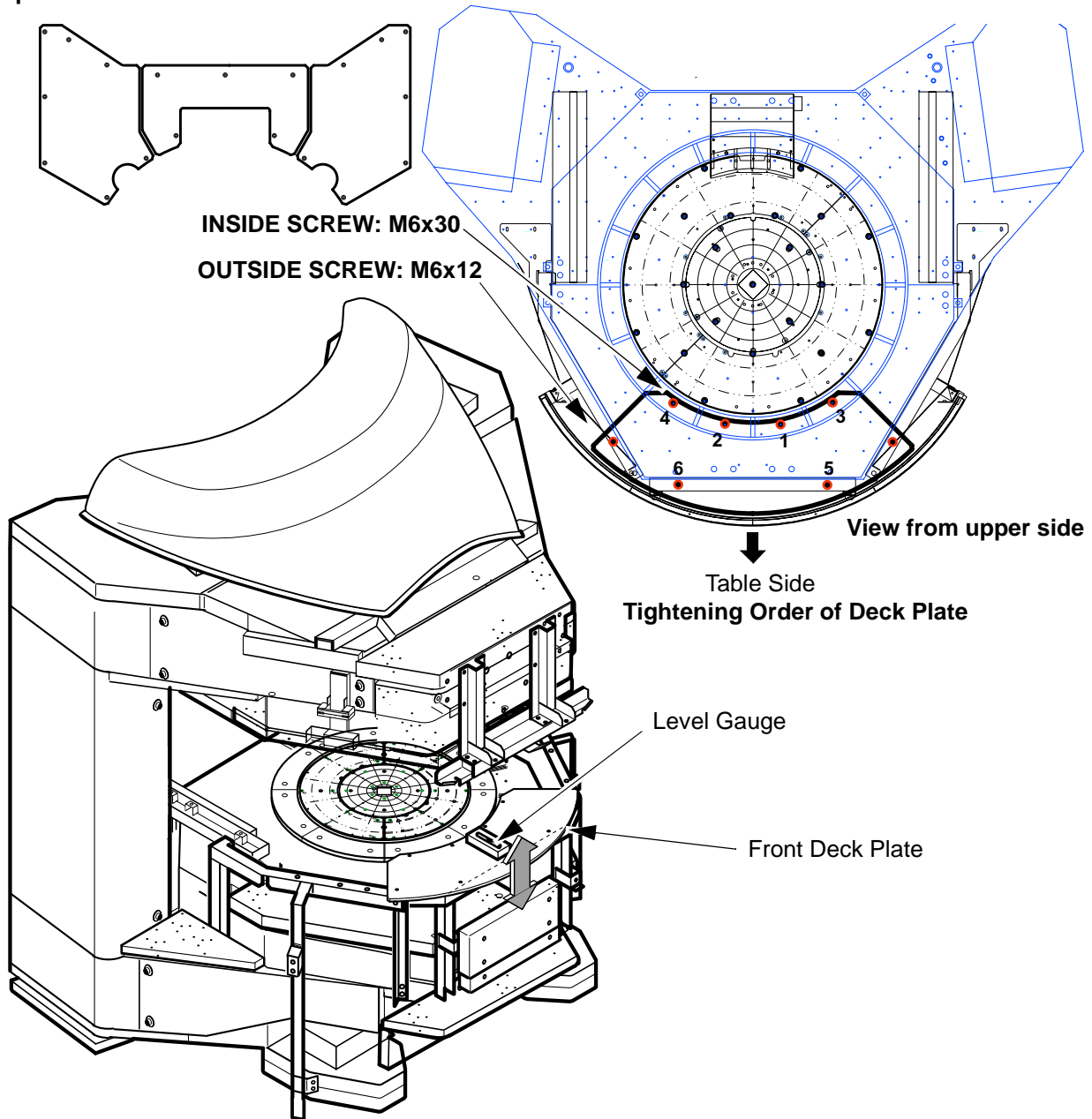
**FRONT UPPER FRAME INSTALLATION**  
ILLUSTRATION 1-5

**6. Magnet Deck Plate(Front Side) Installation (1 of 2)**

1. Install Front Deck Plate with 8 screws(temporary tightening) onto the front lower frame.
2. Install the No.1,2,3,4,5 and 6 screws of front deck plate.Do not tighten.
3. Tighten the 6 screws according to tightning order of deck plate.
4. Adjust plate height of front deck become to horizontal surface using level gauge.
5. Tighten the 4 screws of front lower frame..

**NOTE:**

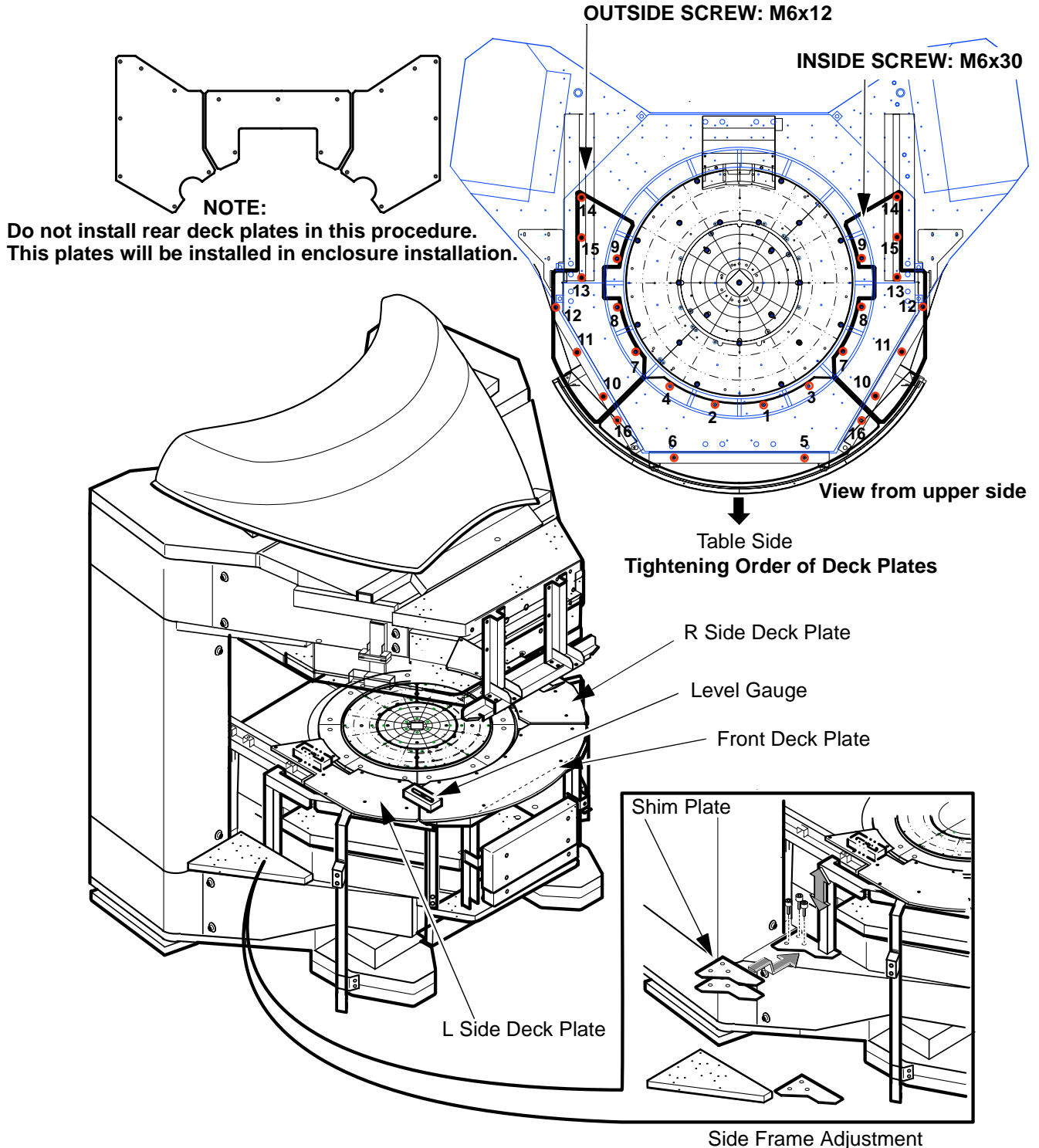
Do not install rear deck plates in this procedure.  
This plates will be installed in enclosure installation.



**MAGNET DECK PLATES INSTALLATION**  
ILLUSTRATION 1-6

**7. Magnet Deck Plate(Front Side) Installation (2 of 2)**

1. Install R and L Side Deck Plates onto the side lower frames with 36 screws.Do not tighten.
2. Tighten 36 screws of R and L side deck plates according to tightening order.
3. Tighten 2 screws (No.16) of front deck plate.
4. Check that the height of side deck plates are horizontal surface using level gauge.
5. Check that the all deck plates are horizontal plane.If not,readjust the front and side frames.



**MAGNET DECK PLATES INSTALLATION**  
ILLUSTRATION 1-7