

# MAGNET DUCT INSTALLATION

## TABLE OF CONTENTS

Table of Contents .....	1
1.Preparation.....	2
2.Duct Installation .....	3

Rev 0

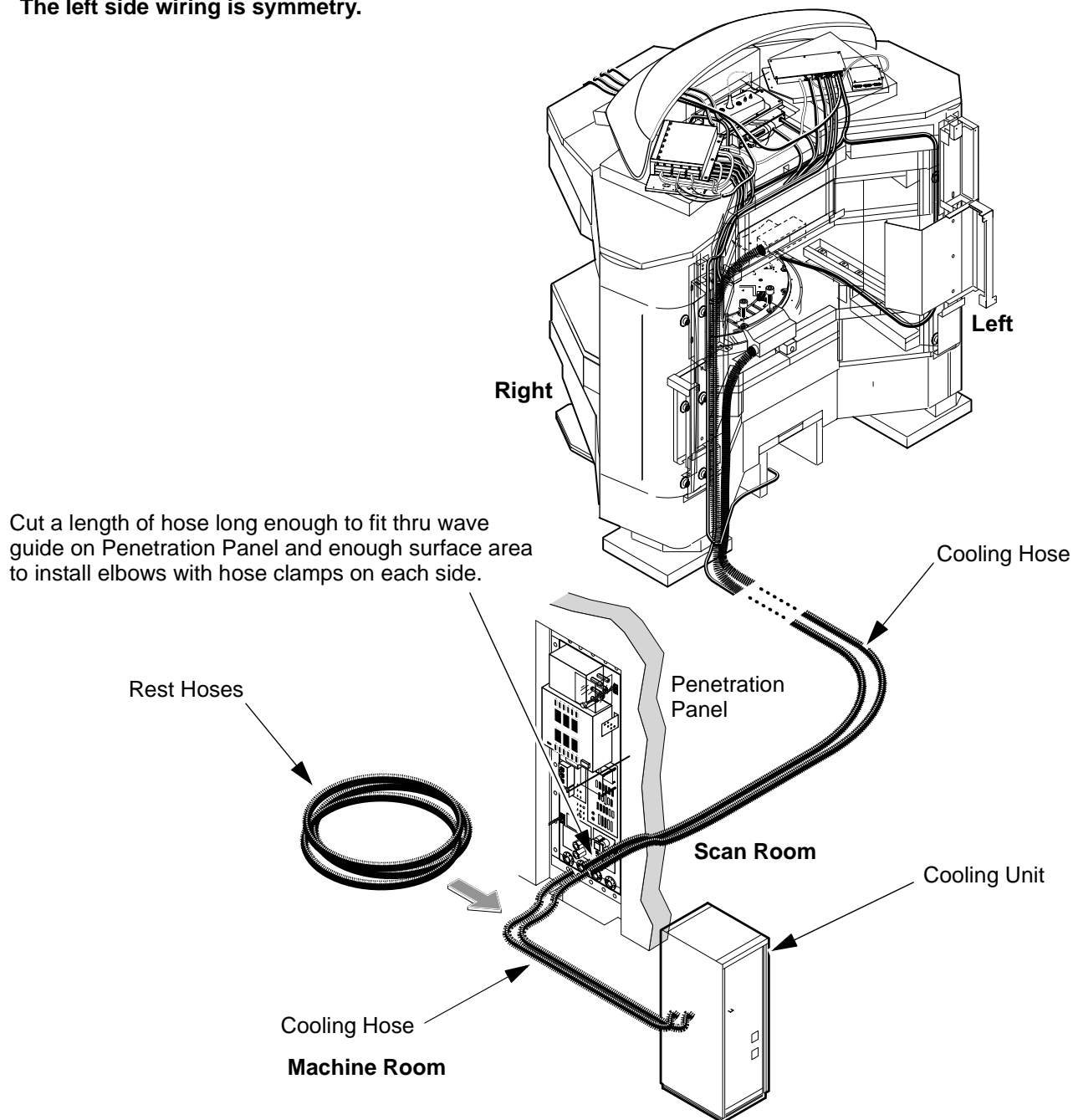
1. Preparation

**GENERAL NOTES:**

- The duct hoses must be routed to cable wiring side.
- First route the hoses from the magnet to penetration panel in scan room side, and then cut the hoses. Next route the hoses from penetration panel to cooling cabinet in machine room side.

**NOTE:**

The illustration is right side wiring.  
The left side wiring is symmetry.

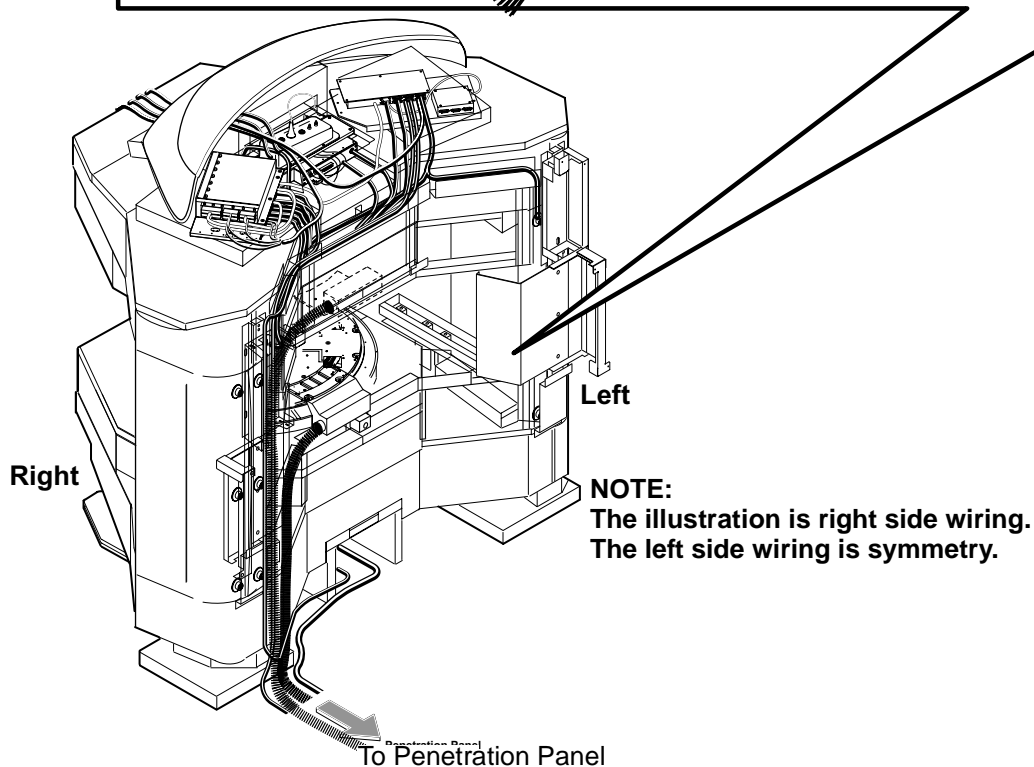
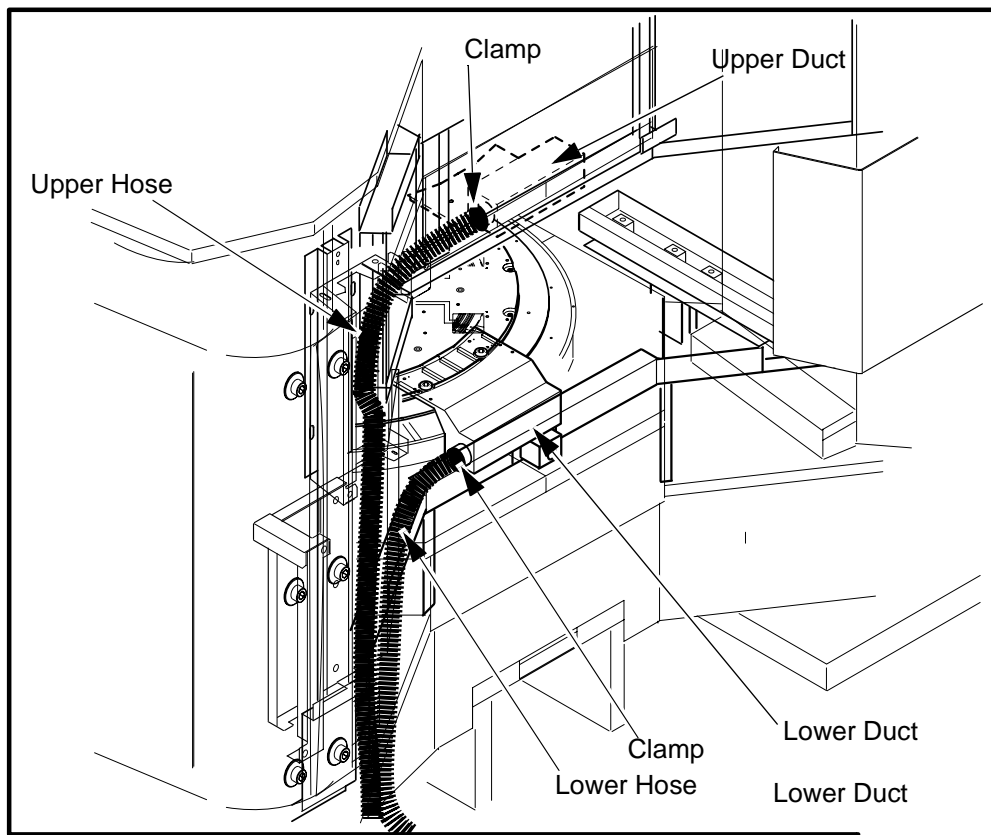


**PREPARATION**  
ILLUSTRATION 1-1

Rev 0

**2. Duct Installation**

1. Install Upper and Lower Ducts/Plates to the body coil with 2 screws for each duct.
2. Route the Upper and Lower Hoses to the magnet according to site layout.
3. Joint hoses to each duct with clamp, and fix hoses to rear frame with tie-wraps.



**DUCT INSTALLATION**  
ILLUSTRATION 2-1

Rev 0

**Revision History**

<b>Rev</b>	<b>Date</b>	<b>Author</b>	<b>Primary Reasons For Change</b>
0	Mar 26, 2001	K.Tsumagari	Initial Release