

MAGNET ENCLOSURE INSTALLATION

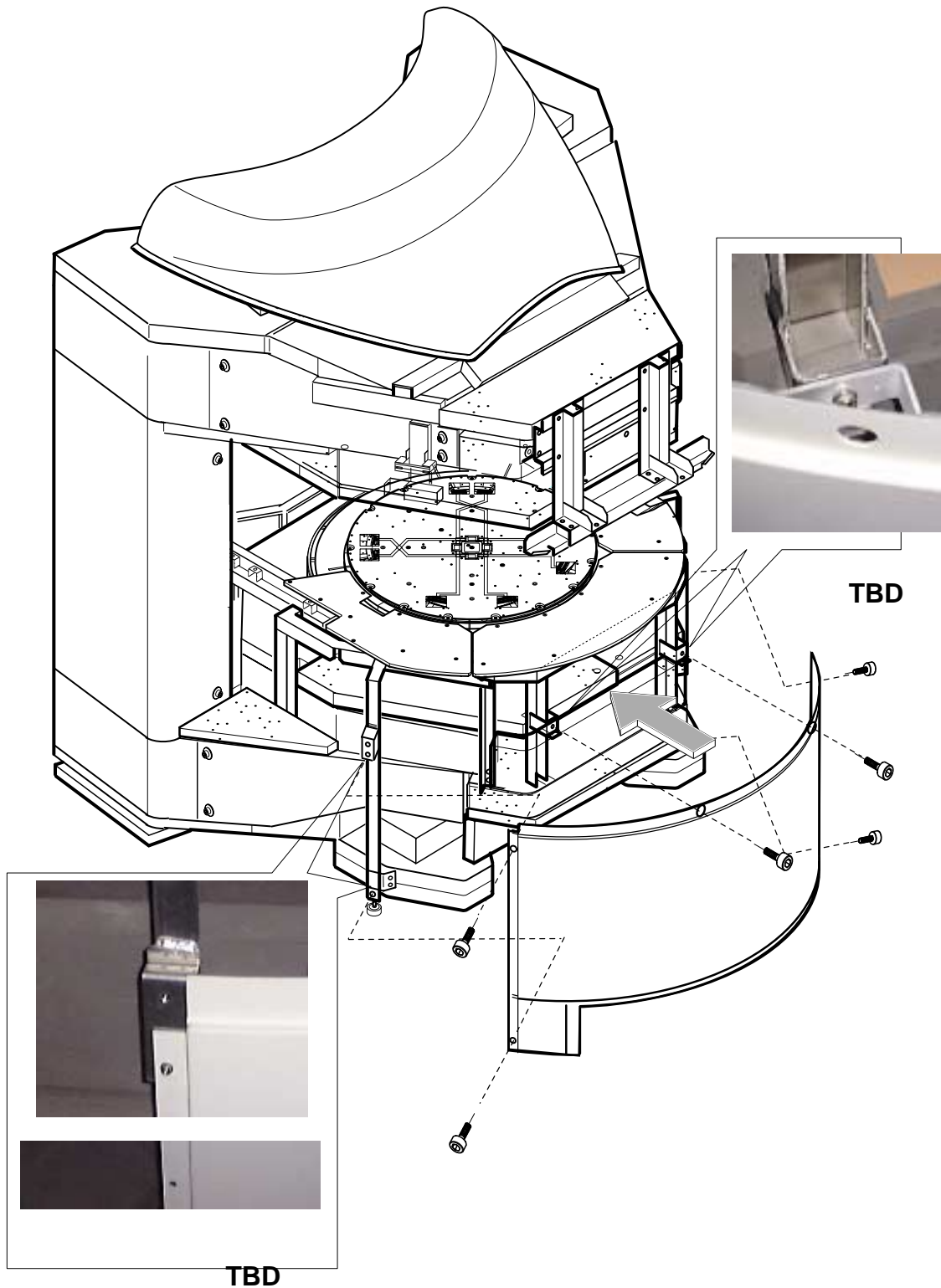
TABLE OF CONTENTS

TABLE OF CONTENTS.....	1
1.Apron Cover	2
2.Side Cover	3
3.Front Cover	5
4.Post Cover	7
5.Rear Upper Cover	8
6.Rear Lower Cover	9
7.Floor Cover	10
8.Ceiling Cover	11
9.P-Light Cover	12
10.PCM Cover	13
11.Top Cover	14
12.QHB / Blind Cover	15
13.Corner Cover.....	16

1. Apron Cover

1. Install the Apron Cover to the front and side frame of the Magnet with 6 screws.

DETAIL TBD

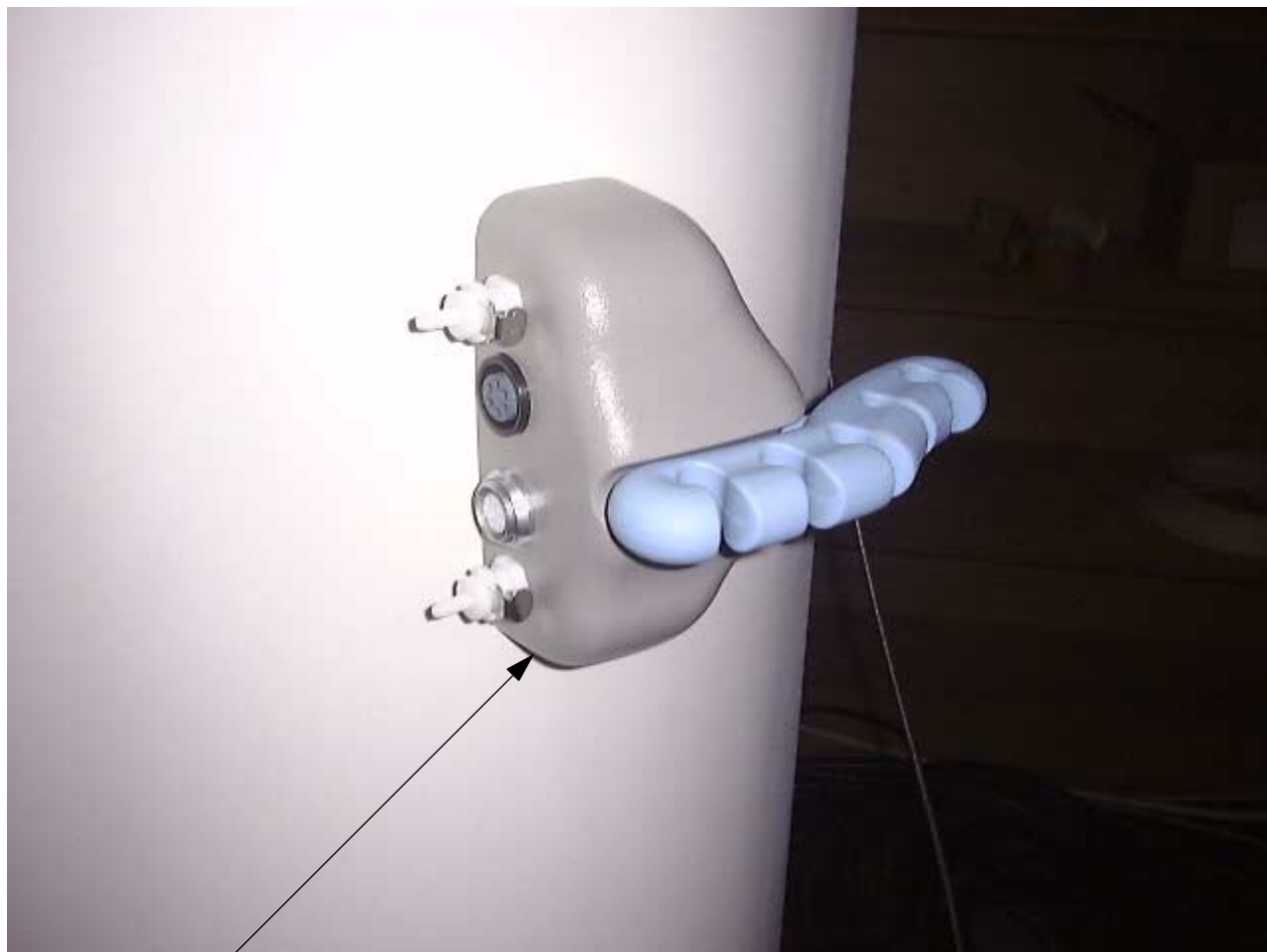


APRON COVER INSTALLATION
ILLUSTRATION 1-1

2. Side Cover

1. Install the PAC Remote Interface Assy to the L or R Side Cover according to site layout.

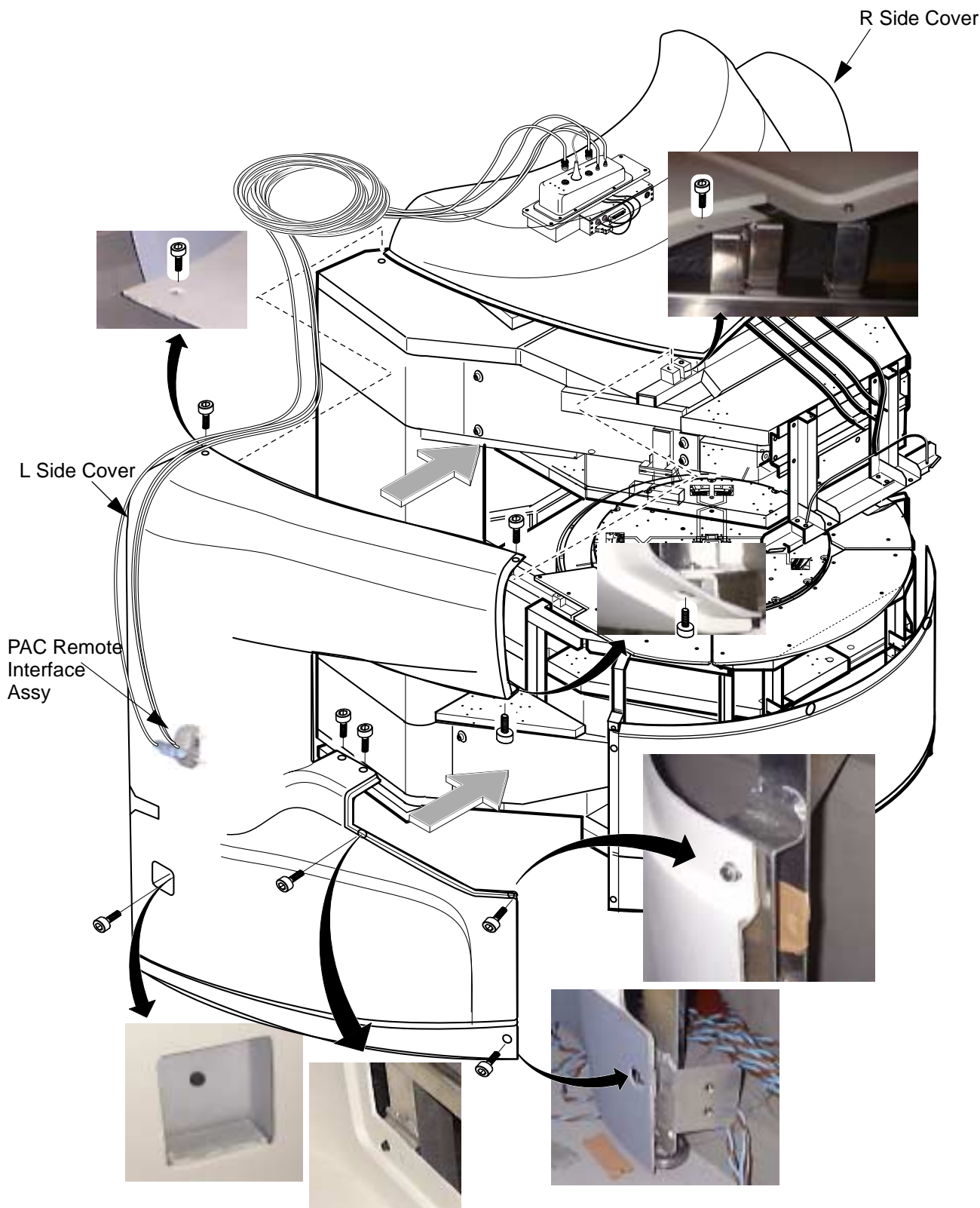
ILLUSTRATION TBD



PAC Remote Interface Assy

SIDE COVER INSTALLATION ILLUSTRATION 2-1

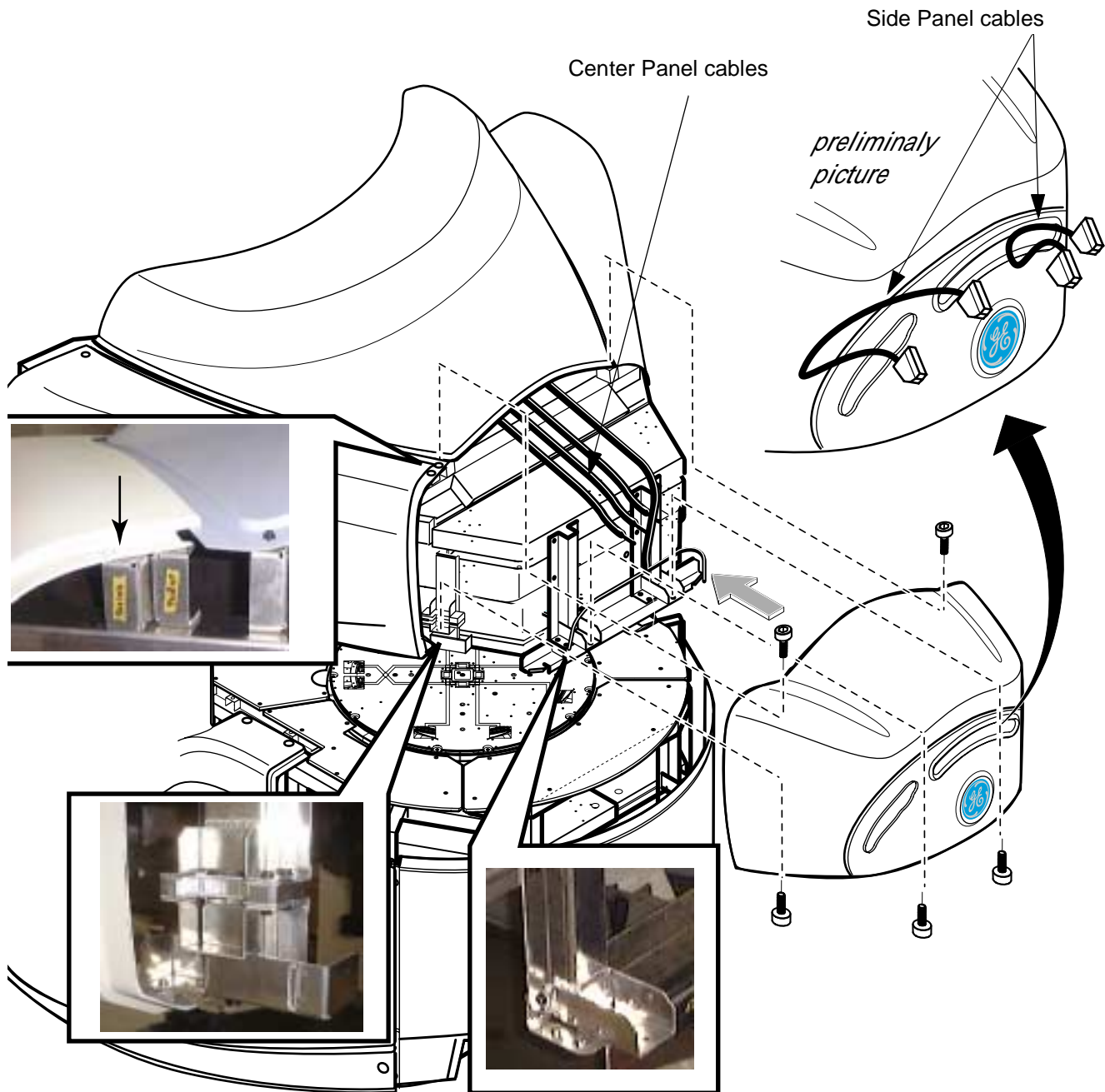
2. Install two SIDE Covers to the left and right side of the Magnet with 9 screws for each cover.
3. Route and connect the cables of PAC Remote Interface Assy to PAC on the magnet.



SIDE COVER INSTALLATION
ILLUSTRATION 2-2

3. Front Cover

1. Set the cables of side panel from the center panel hole to side panel holes.
2. Install the Front Cover to the front side of Magnet with 6 screws, then draw the cables of front panel to center hole of front cover.



FRONT COVER INSTALLATION
ILLUSTRATION 3-1

3. Connect the cable to L panel ,and attach the L panel to front cover.
4. Connect the cable to R panel ,and attach the R panel to front cover.
5. Conncet the all cables to center panel ,and attach the center panel to front cover.



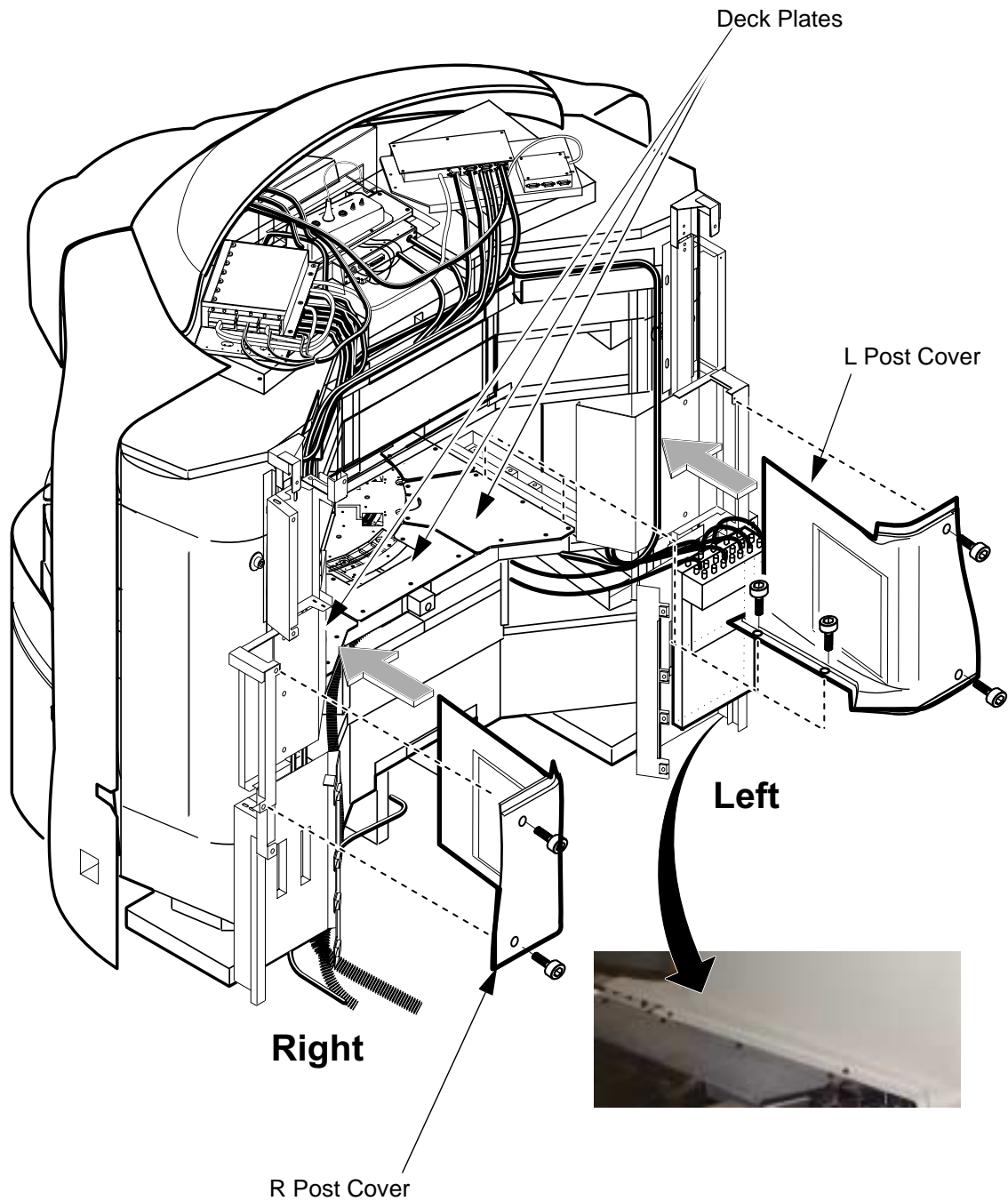
FRONT COVER INSTALLATION
ILLUSTRATION 3-2

4. Post Cover

1. Install two Post Covers to the left and right side of the magnet frame with 4 screws for each cover.
2. Install L rear,R rear and rear deck plates to rear lower frame.

Touch Sensor Wiring and connecting TBD

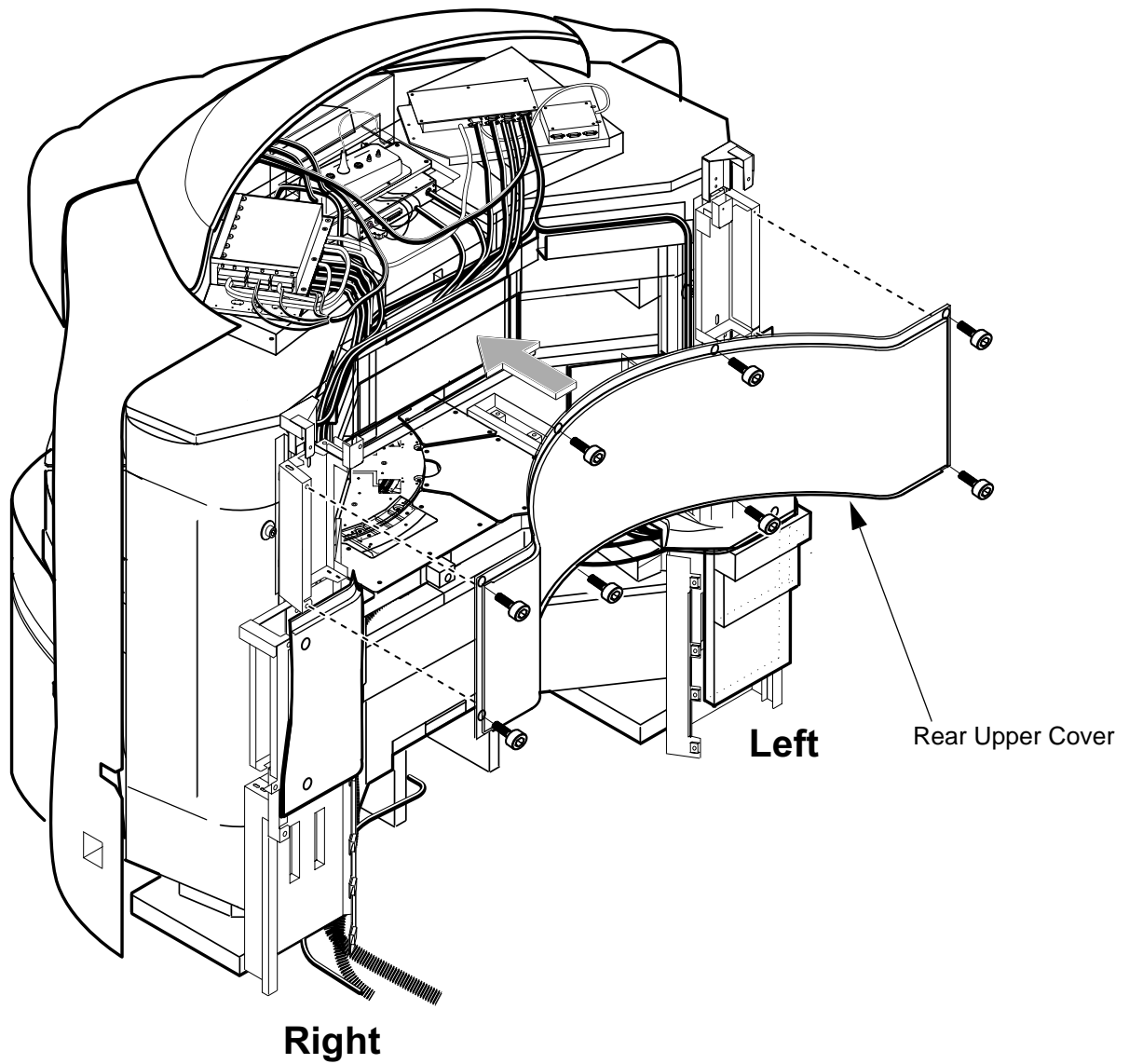
Deck plate illustration TBD



POST COVER INSTALLATION
ILLUSTRATION 4-1

5. Rear Upper Cover

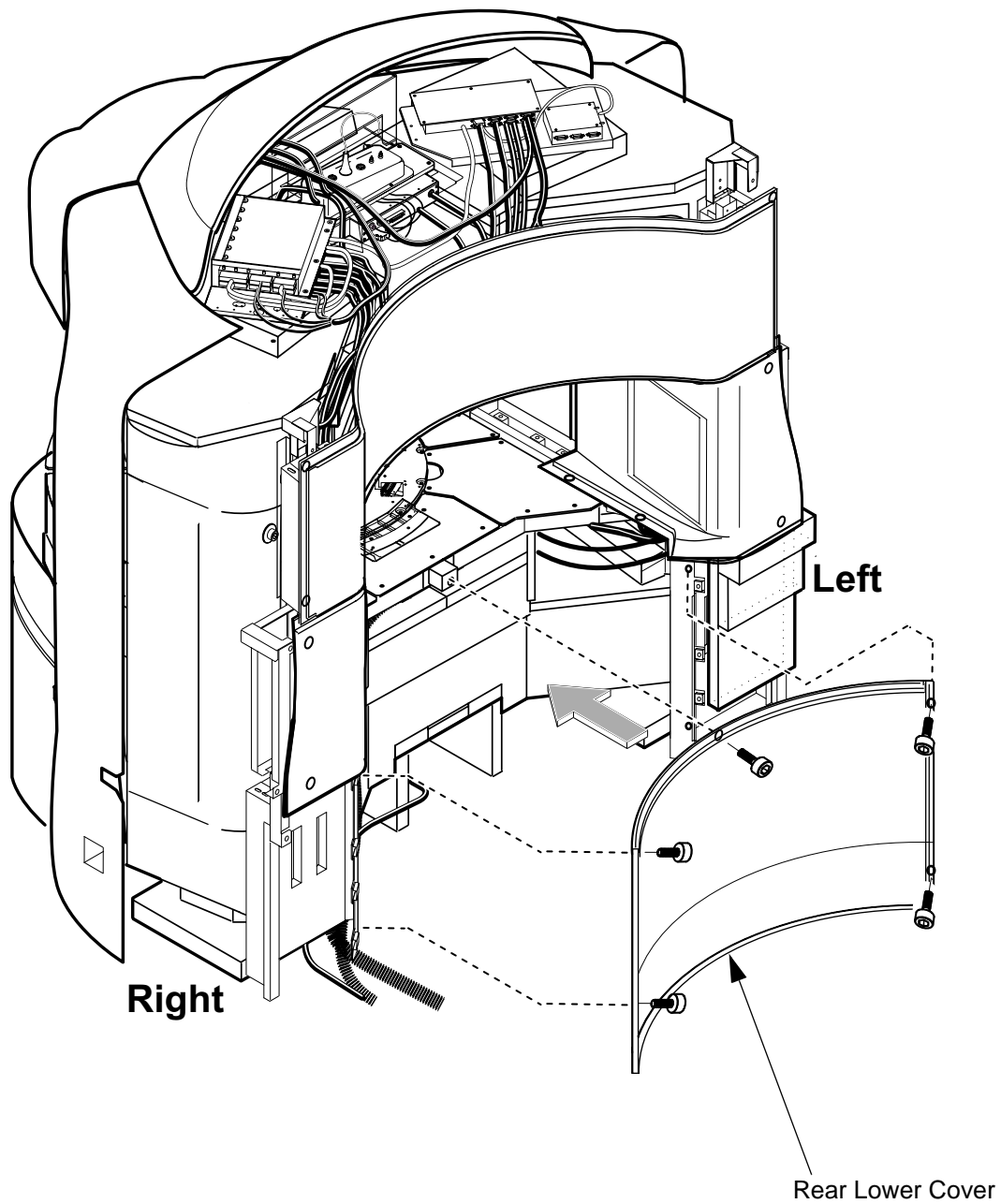
1. Install REAR UPPER Cover to the Rear side of the magnet with 8 screws.



REAR UPPER COVER INSTALLATION
ILLUSTRATION 5-1

6. Rear Lower Cover

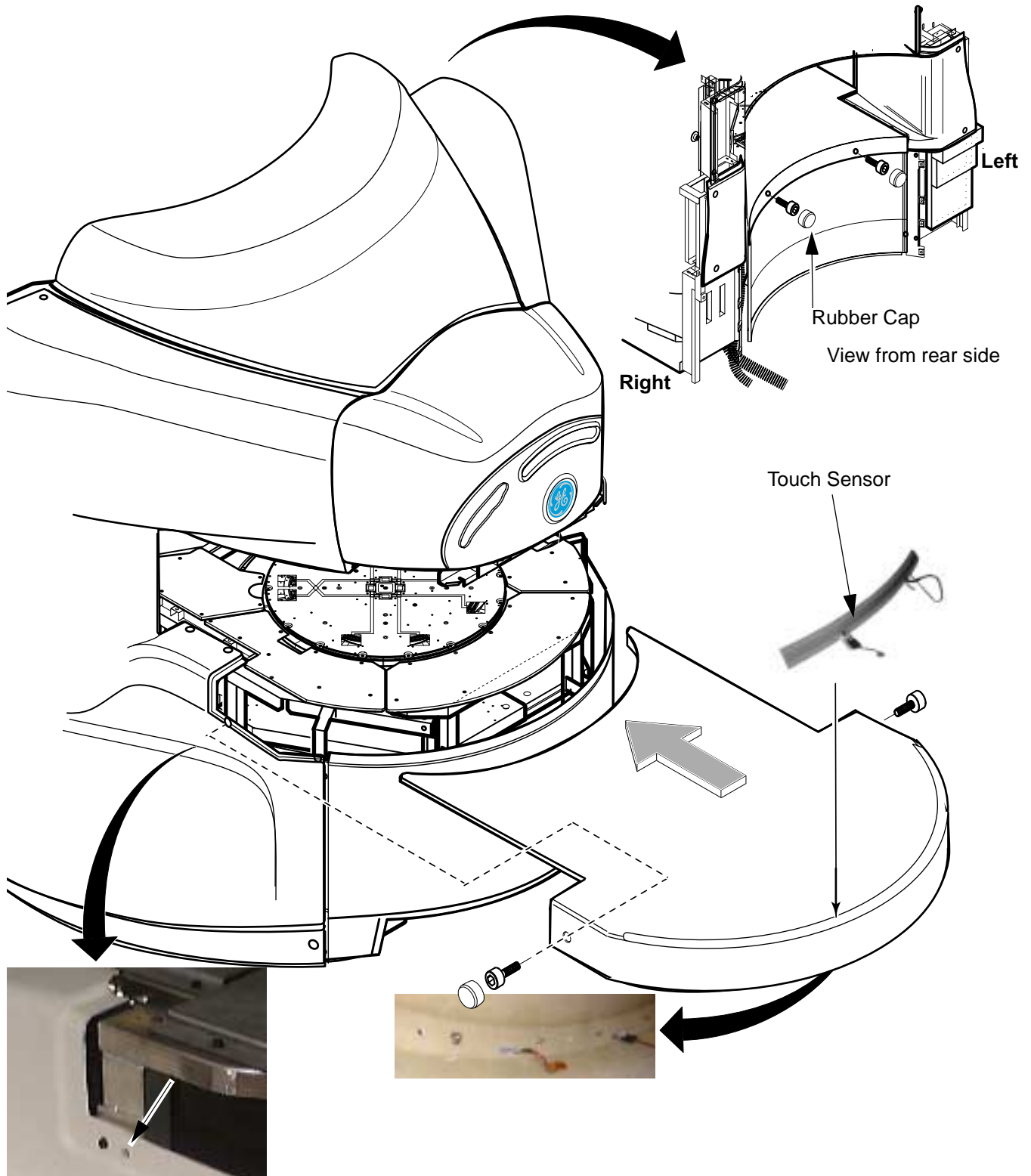
1. Install REAR LOWER Cover to the Rear side of the magnet with 5 screws.



REAR LOWER COVER INSTALLATION
ILLUSTRATION 6-1

7. Floor Cover

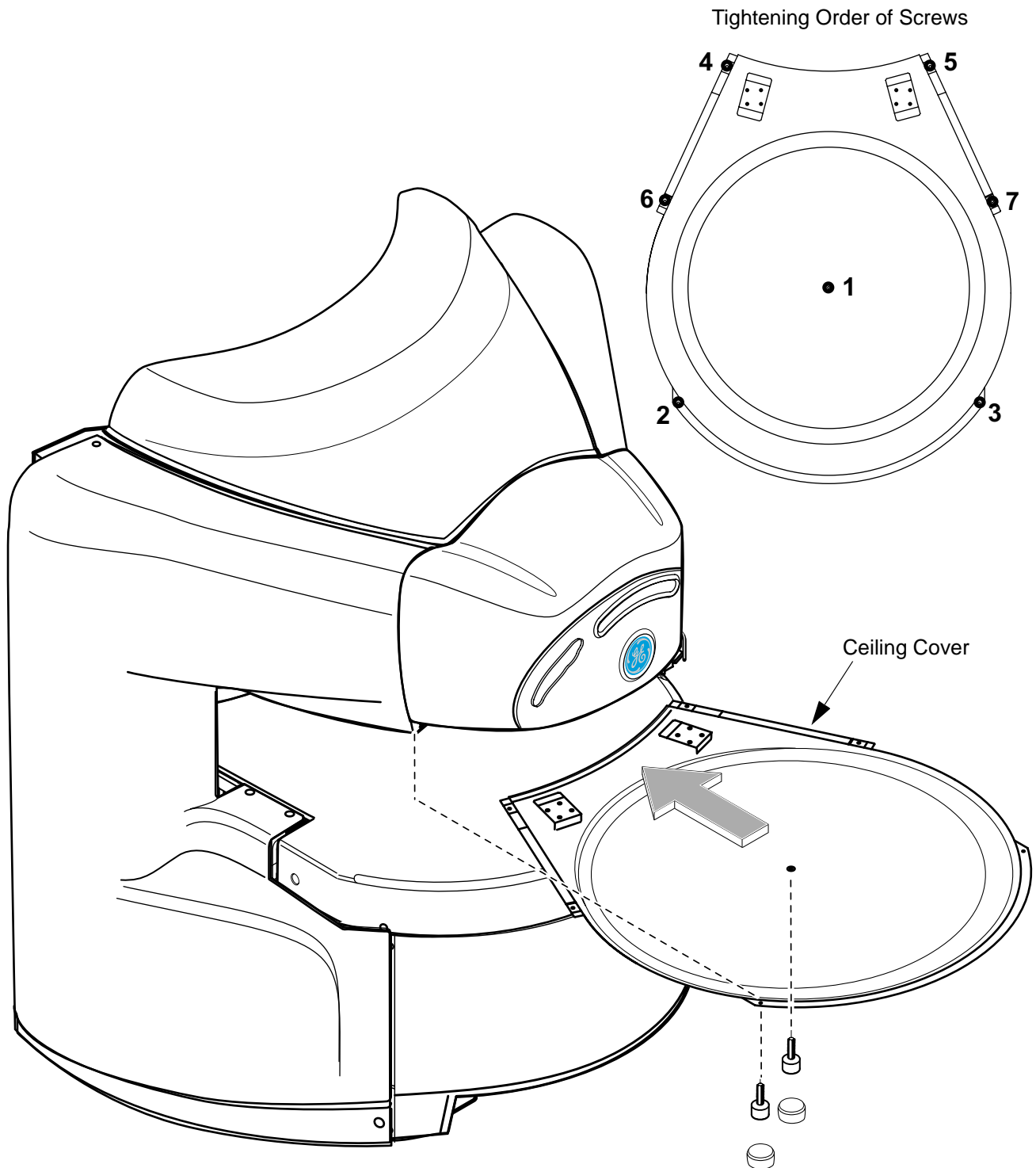
1. Attach the Touch Sensor to front side of floor cover.
2. Put the Floor Cover onto the lower coil ,and then connect the cables of touch sensor.
3. Install Floor Cover onto the lower coil with 4 screws.



CEILING COVER INSTALLATION
ILLUSTRATION 7-1

8. Ceiling Cover

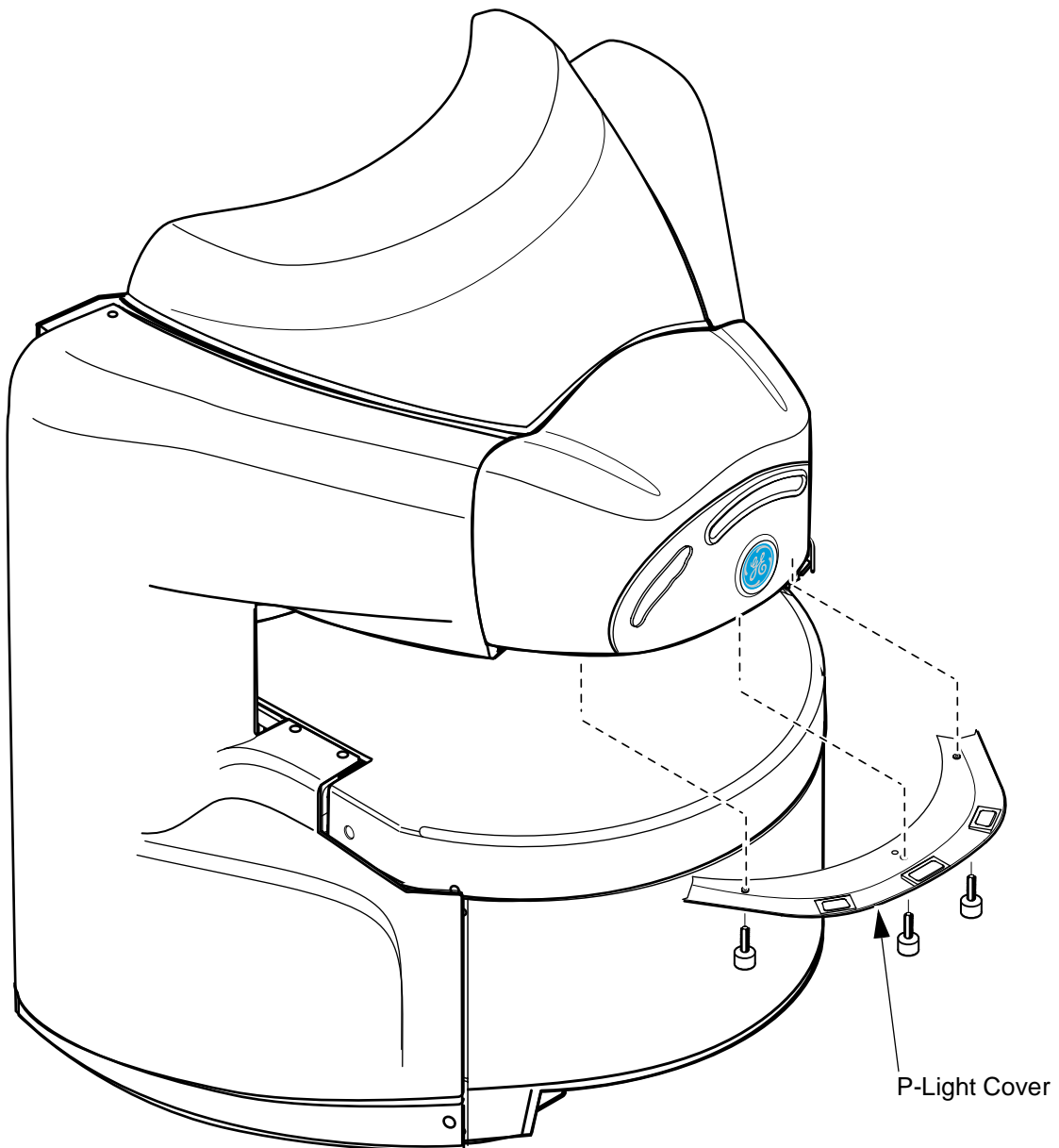
1. Install CEILING Cover onto the upper YOKE with 7 screws.



CEILING COVER INSTALLATION
ILLUSTRATION 8-1

9. P-Light Cover

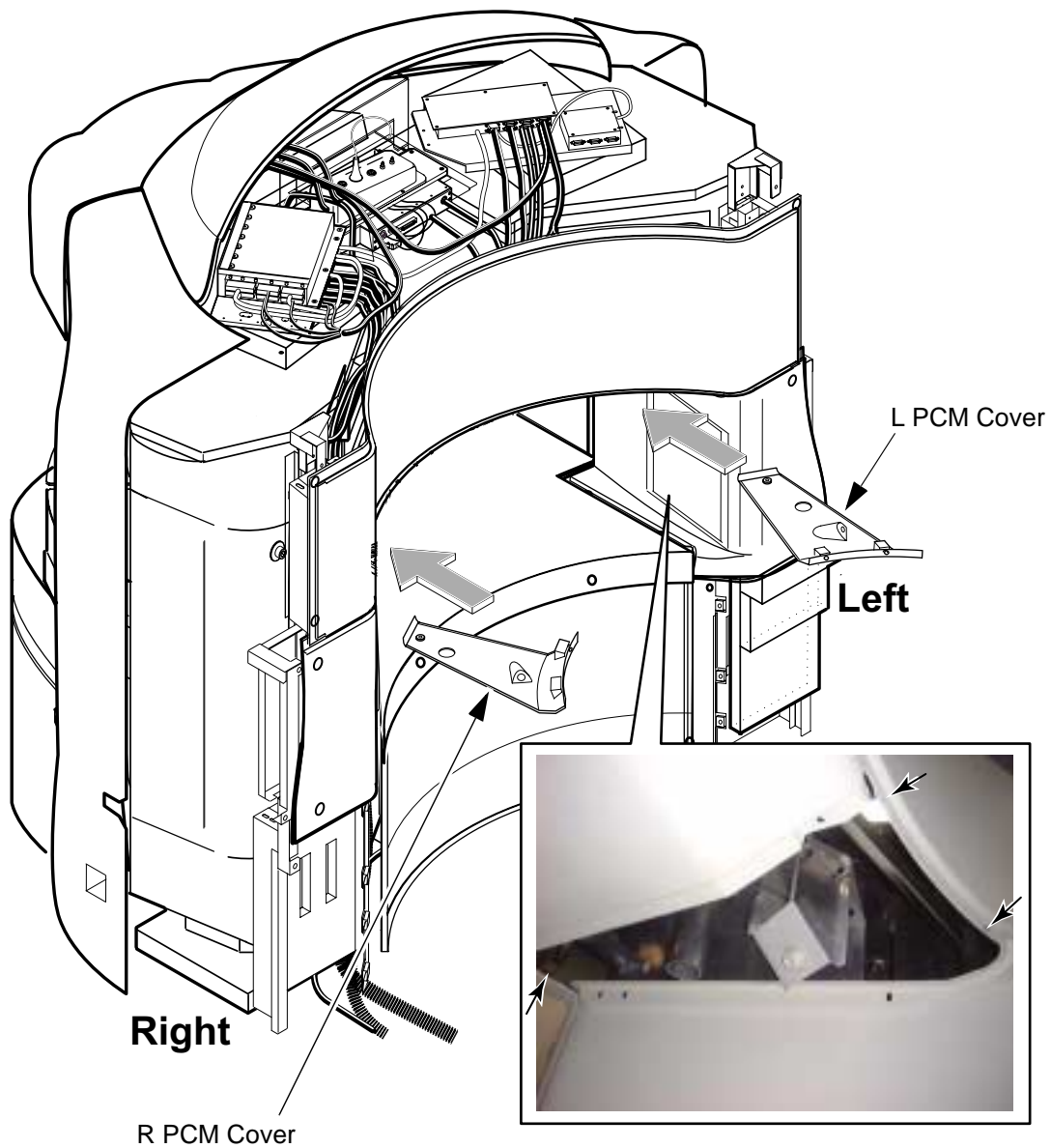
1. Install P-LIGHT Cover under the P-Light with three screws.



P-LIGHT COVER INSTALLATION
ILLUSTRATION 9-1

10.PCM Cover

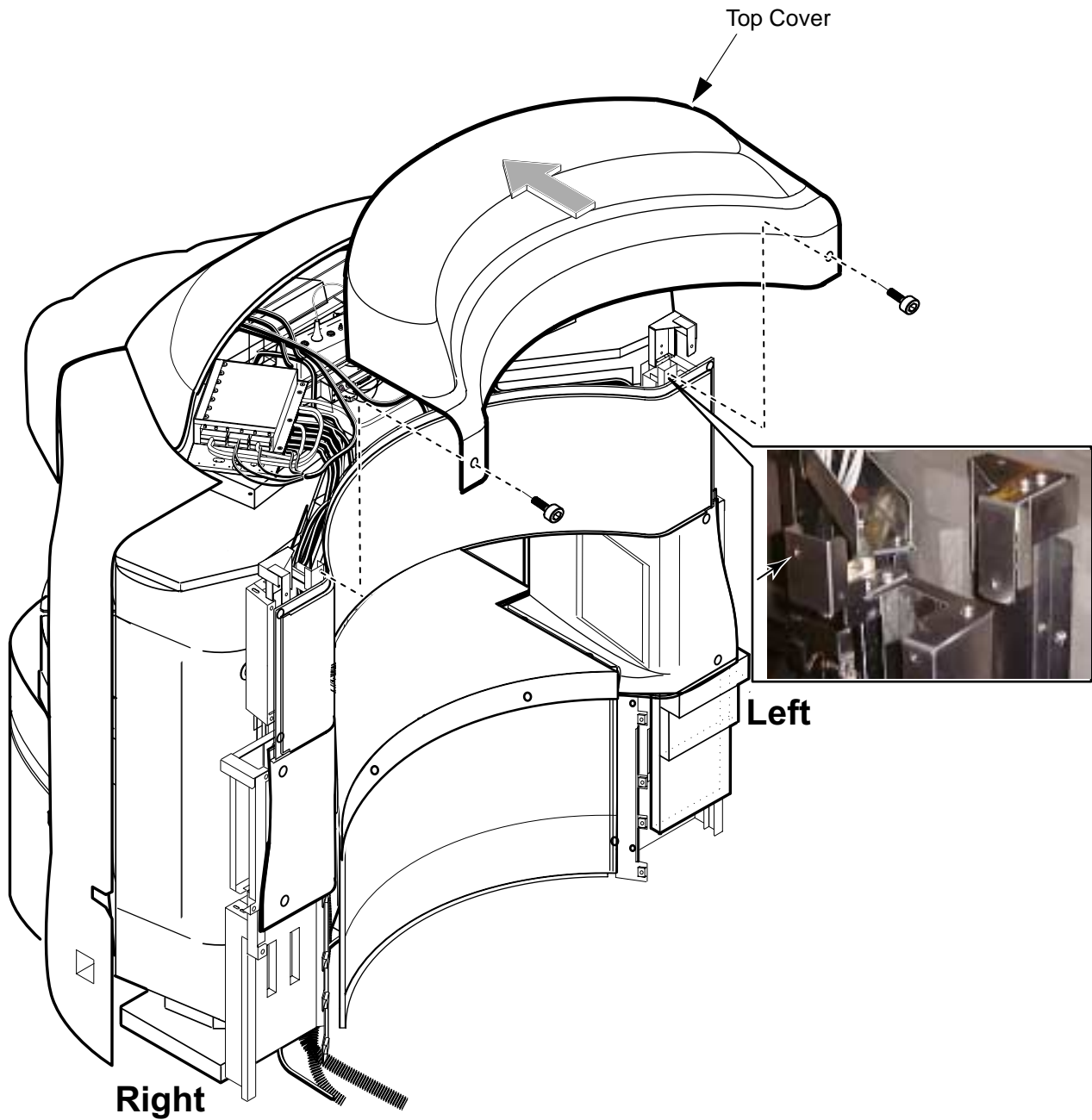
1. Install two PCM Covers onto the upper ceiling with three screws for each cover.



PCM COVER INSTALLATION
ILLUSTRATION 10-1

11. Top Cover

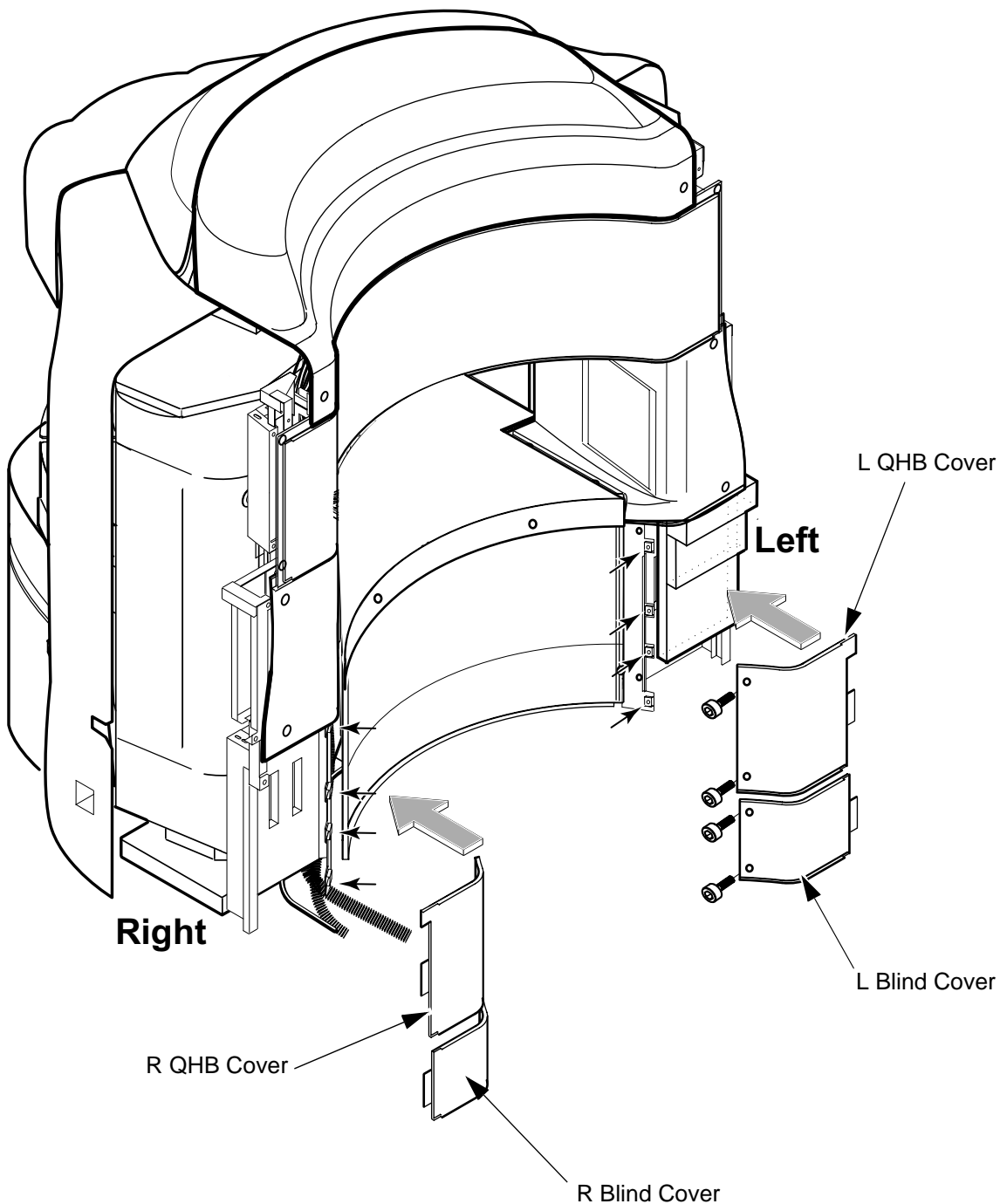
1. Install Top Cover onto the top of the magnet with 2 screws.



TOP COVER INSTALLATION
ILLUSTRATION 11-1

12.QHB / Blind Cover

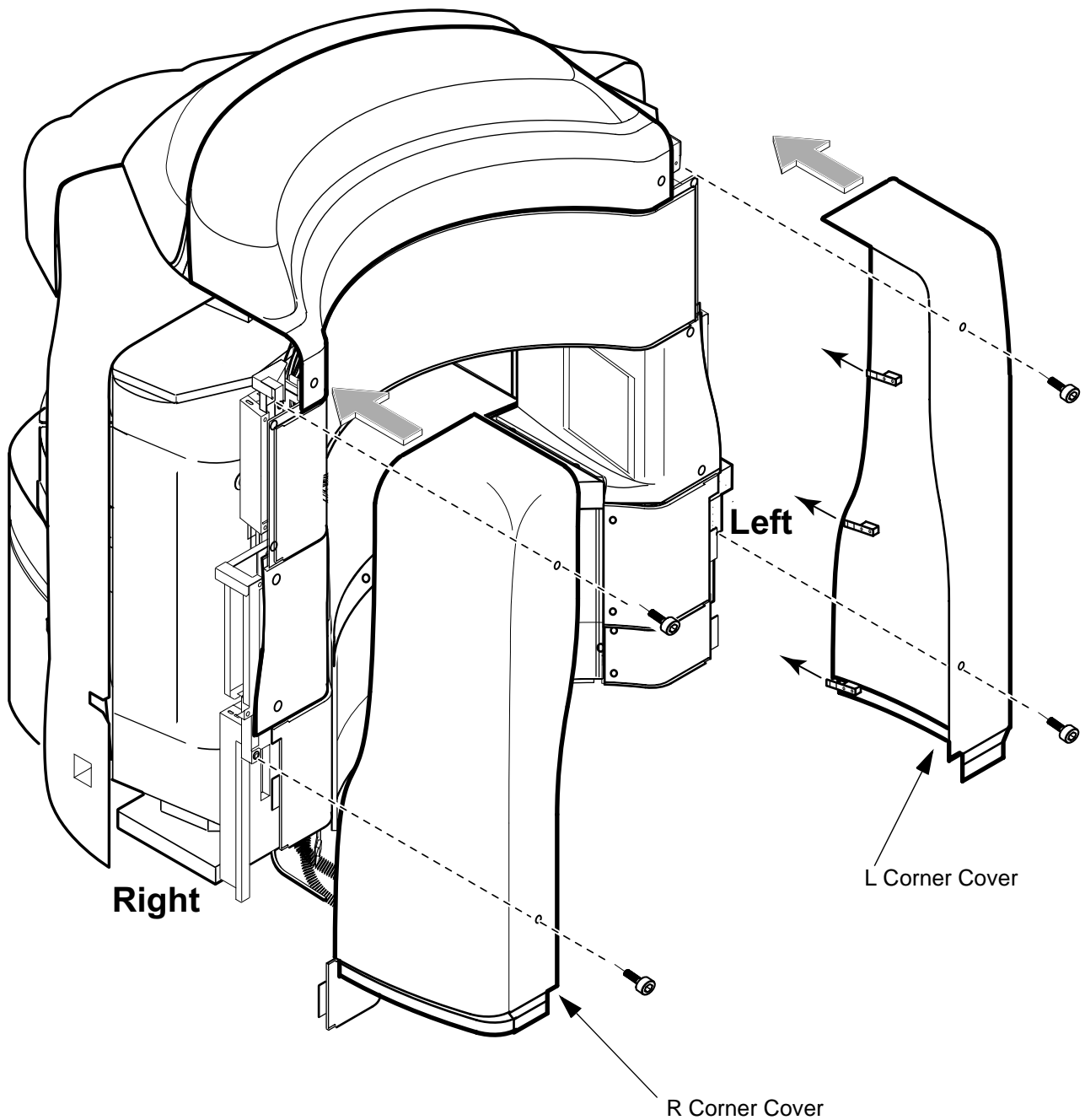
1. Install two QHB Covers to the rear side of the Magnet with 2 screws for each cover.
2. Install two DUCT BLIND Covers to the rear side of the Magnet with 2 screws for each cover.



QHB / BLIND COVER INSTALLATION
ILLUSTRATION 12-1

13. Corner Cover

1. Install two CORNER Covers to the left and right side of the Magnet with 2 screws for each cover.



CORNER COVER INSTALLATION
ILLUSTRATION 13-1