

MAGNET COVER INSTALLATION

VOLUME 1

TABLE OF CONTENTS

Table of Contents 1

1.Preparation 2

2.Determine Pac Remote Interface Location 3

3.Top Cover 4

4.Apron Cover 6

5.Side Cover (Refer to attached sheet.) 7

6.Front Cover 8

7.Post Cover 10

8.Rear Deck Plate 11

9.Post Cover Clearance Adjustment 12



FERROUS MATERIAL HAZARD! THE CRIMP TOOL, AND OTHER TOOLS AND PARTS REQUIRED FOR THIS INSTALLATION CONTAIN FERROUS MATERIAL AND WILL BE STRONGLY ATTRACTED TO MAGNET AND MAY BECOME DANGEROUS PROJECTILES. IF MAGNET IS AT FULL FIELD – KEEP ALL FERROUS TOOLS AT LEAST 10 FEET AWAY FROM THE MAGNET.

NOTE:

There are two routing for Peripheral Cable of PAC as follow.

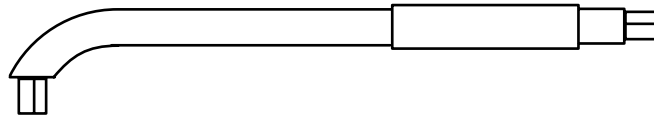
- M3 Site: Route peripheral cable between side cover and front cover.Refer to 9 page and attached sheet of side cover installation.
- M4 Site: Route peripheral cable to under side of PAC remote interface.Refer to 6 page. When install side cover, route peripheral cable according to M3 or M4 routing.

Rev 1

1. Preparation

Required Tool:

Items	Qty	Type/Parts Number	Part
Metric Allen Wrench Set	1	Non ferrous	
5mm-S Metric Allen Wrench	1	Non ferrous Short Type 46-320470P9	L-Post Cover

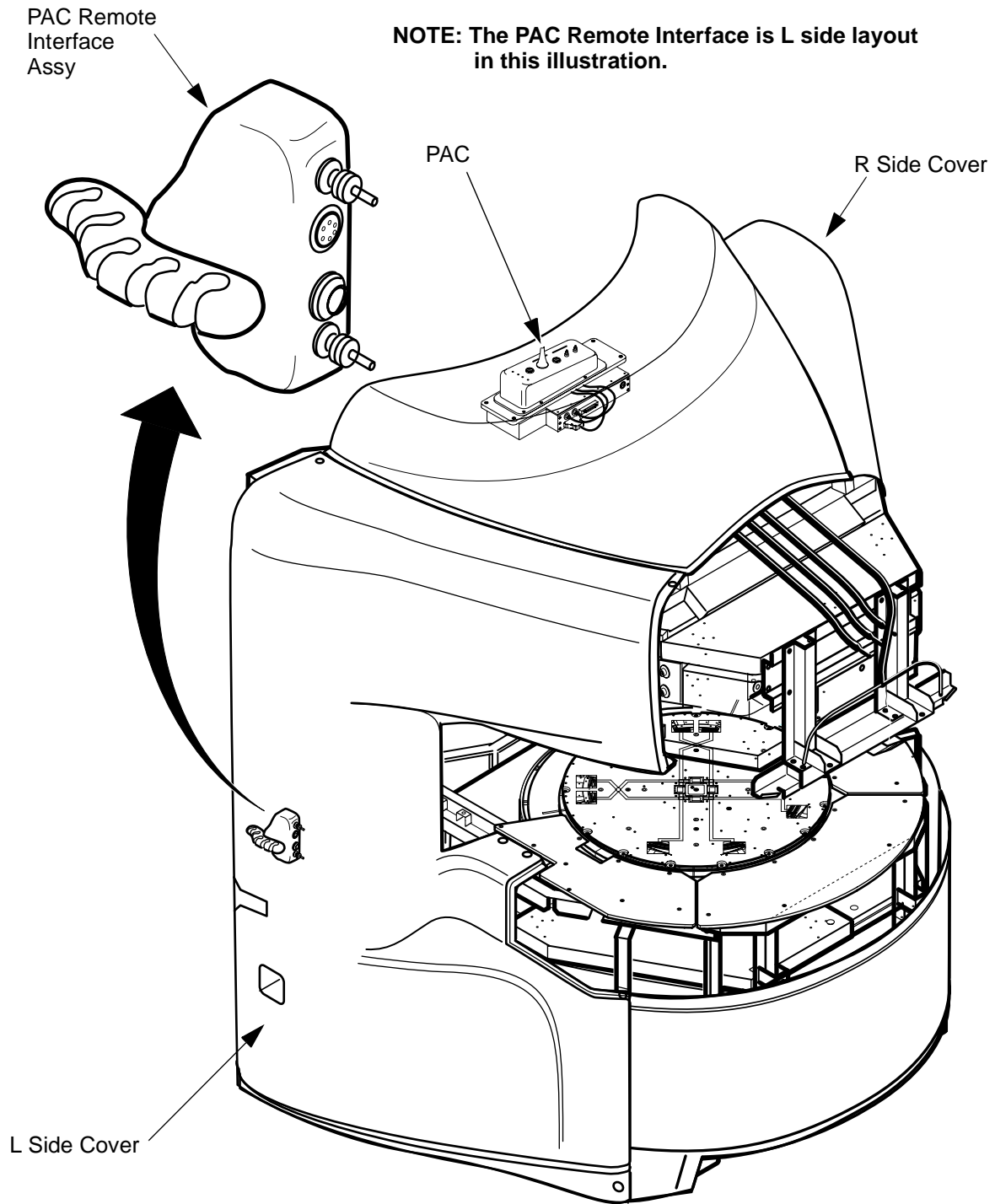


5mm-S Metric Allen Wrench

Rev 1

2. DETERMINE PAC REMOTE INTERFACE LOCATION

1. Consult with customer to determine which side of magnet PAC Remote Interface Assy should be located.



**DETERMINE PAC REMOTE INTERFACE LOCATION
ILLUSTRATION 2-1**

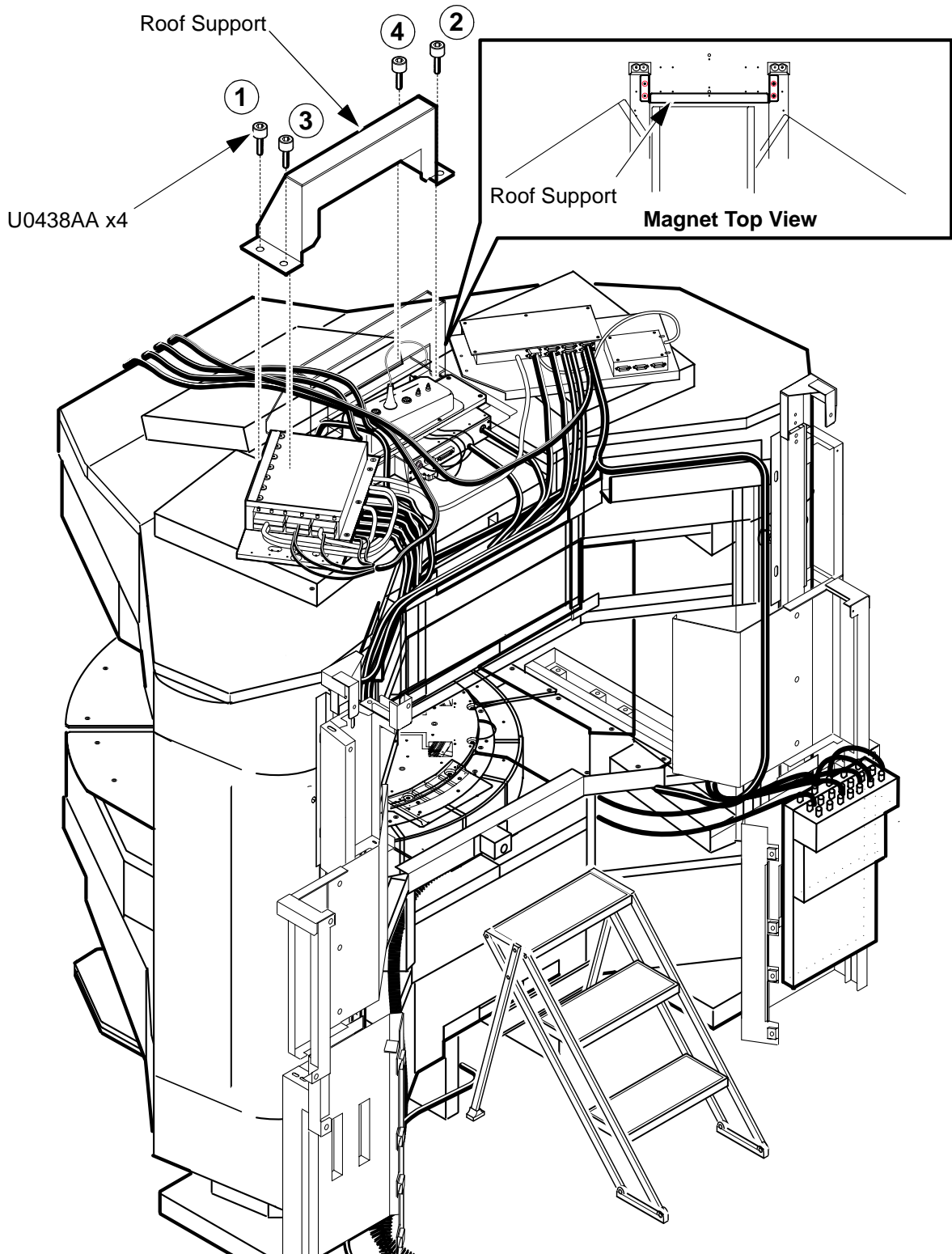
Rev 1

3. Top Cover

CAUTION

At least two people are required to install the Top Cover.

1. Install Roof Support onto the magnet top side with 4 screws using step rudder.



**APRON COVER INSTALLATION
ILLUSTRATION 3-1**

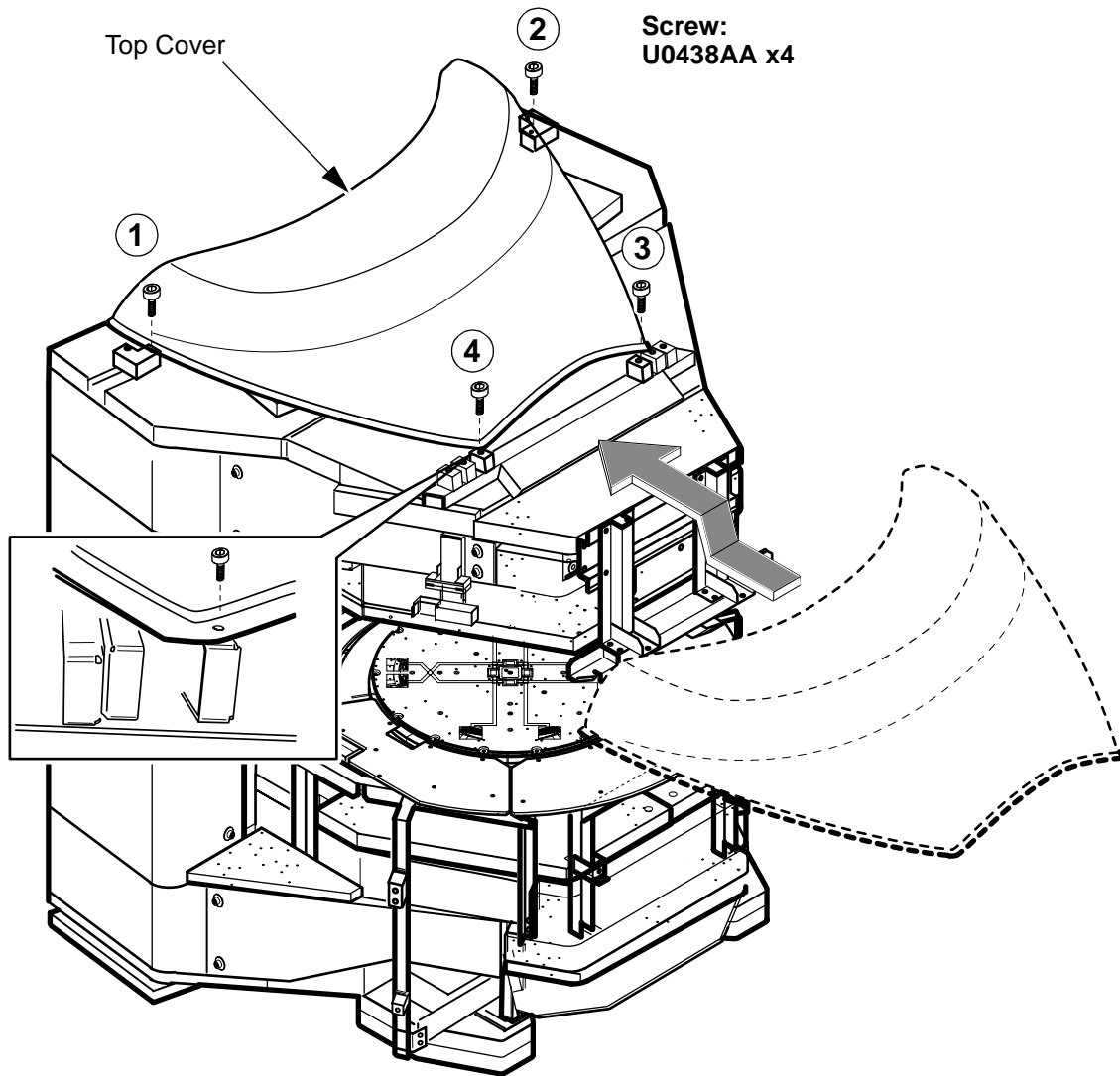
Rev 1

3. Top Cover(Continued)

CAUTION

At least two people are required to install the Top Cover.

2. Install Top Cover onto the frames of magnet top with 4 screws(U0438AA).



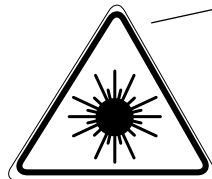
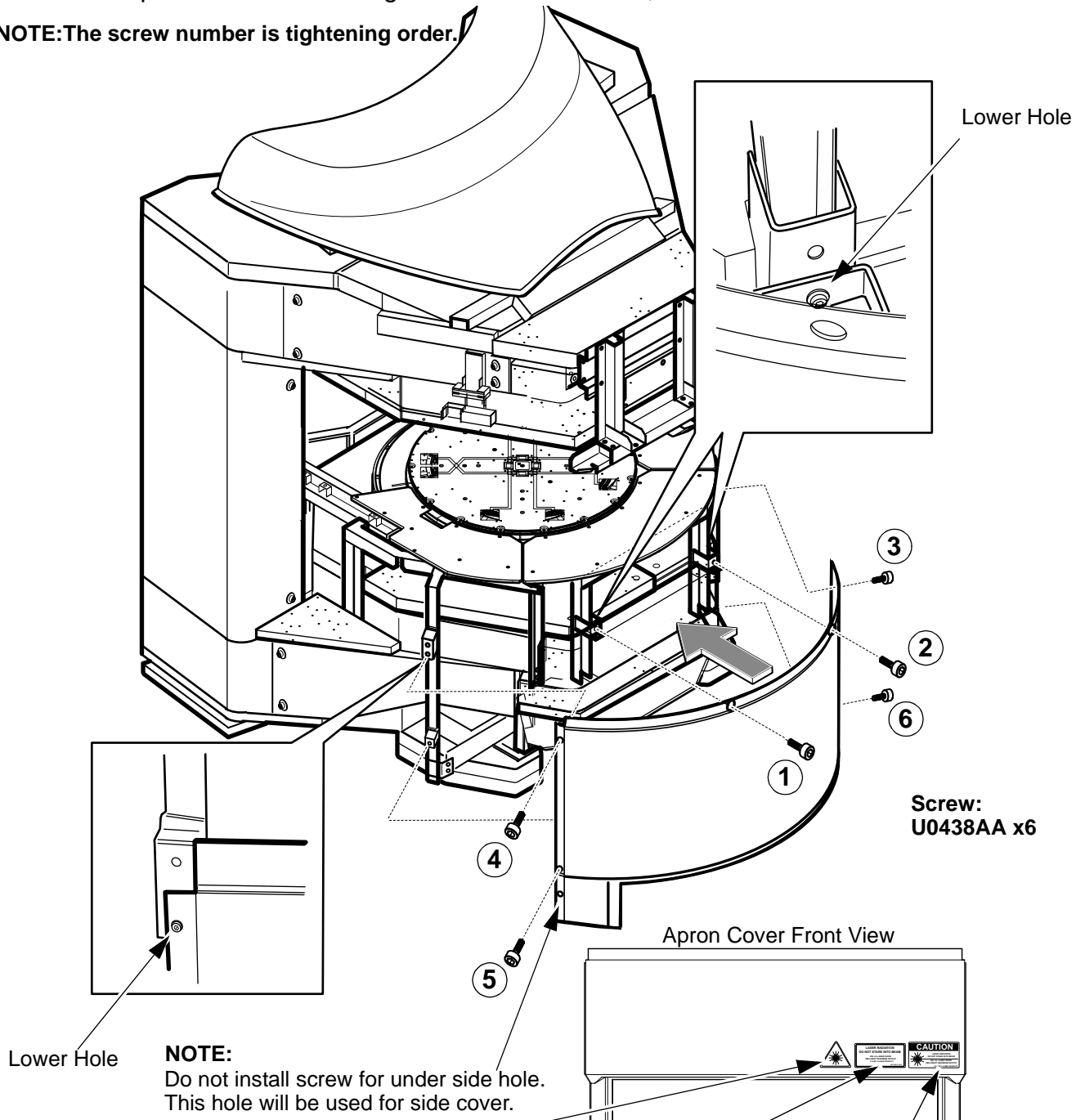
APRON COVER INSTALLATION
ILLUSTRATION 3-2

Rev 1

4. Apron Cover

1. Install the Apron Cover to the front and side frame of the Magnet with 6 screws(U0438AA).
2. Peel the protection film from right under side of cover, and attach three seals as illustration.

NOTE:The screw number is tightening order.



Choose a seal of language of your country.

APRON COVER INSTALLATION
ILLUSTRATION 4-1

Rev 1

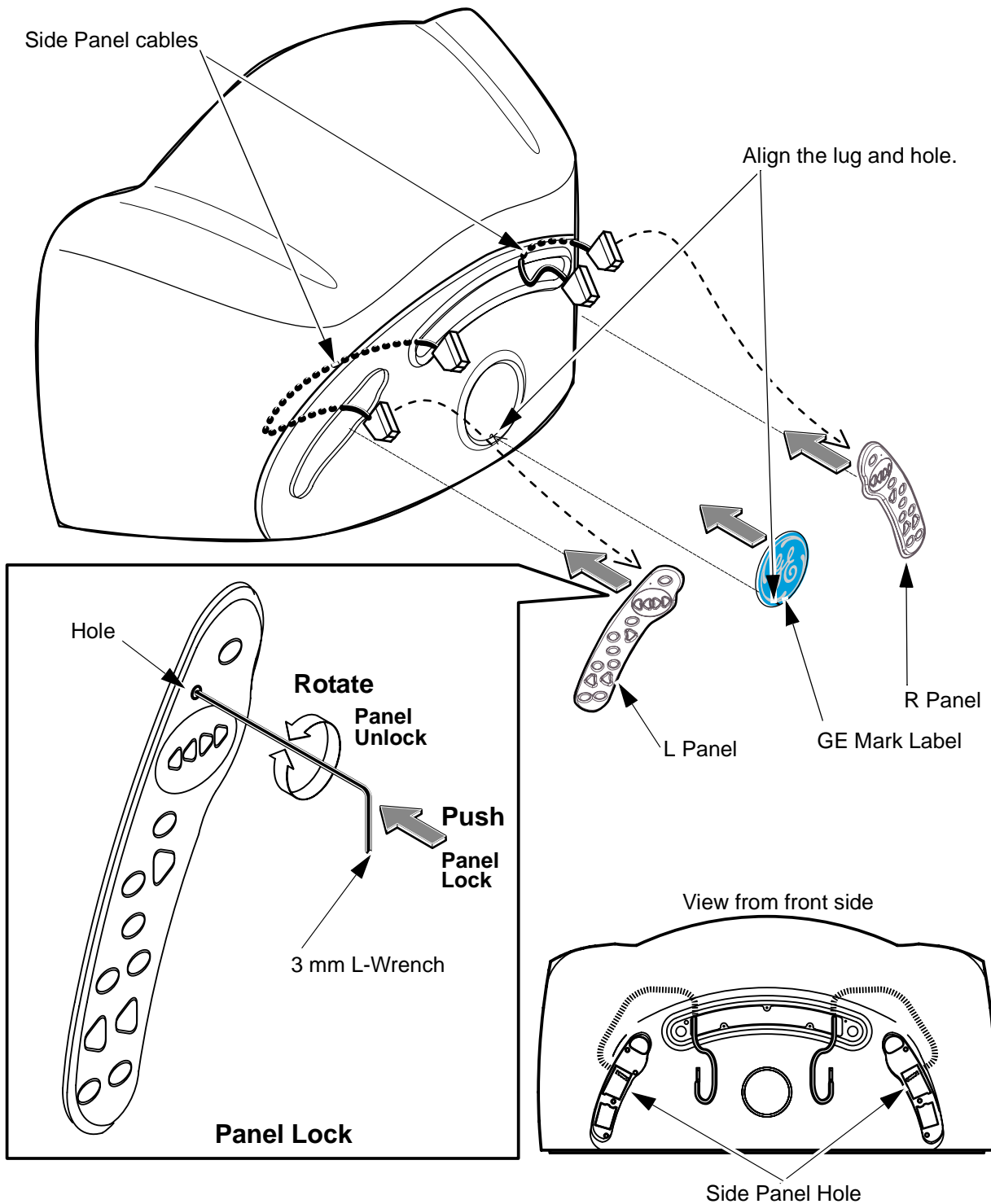
5. Side Cover

Refer to attached sheet (paper manual) of side cover installation.

Rev 1

6. Front Cover

1. Before installing front cover, Install the following parts to front cover.
 - a. Install the GE Mark label aligning the lug and hole.
 - b. Route the R and L panel cables from side panel holes to center panel hole.
 - c. Connect side panel cable to L panel, and attach the L panel to front cover.
 - d. Connect side panel cable to R panel, and attach the R panel to front cover.

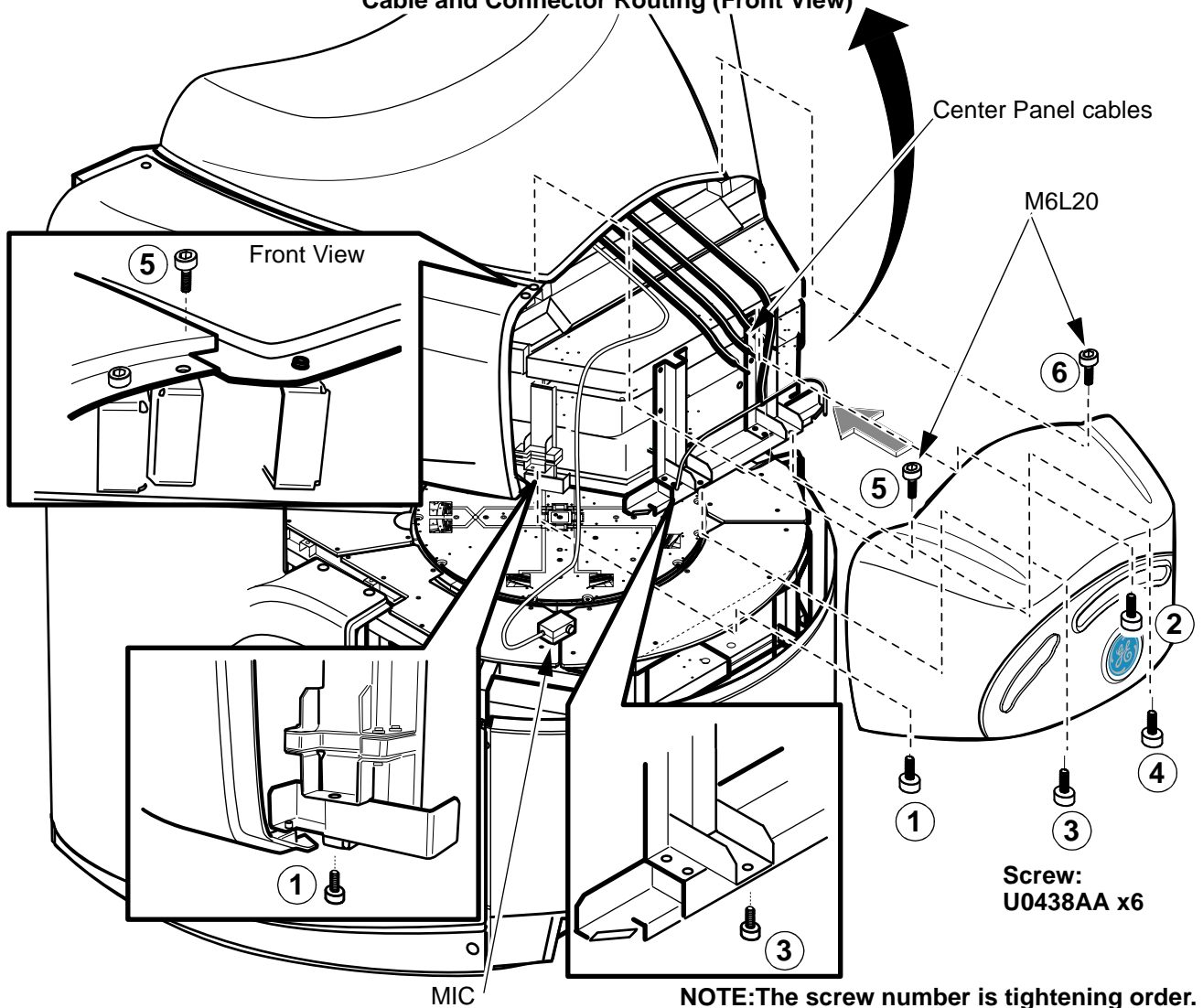
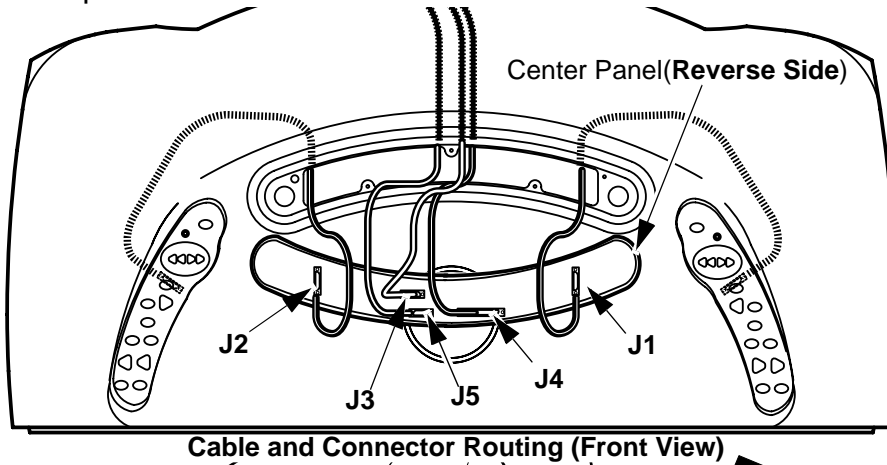


FRONT COVER INSTALLATION
ILLUSTRATION 6-1

Rev 1

6. Front Cover(Continued)

2. Route the MIC cable as illustration and put the MIC on deck plate.
3. Install the Front Cover to the Magnet front side with 6 screws(U0438AA).
4. Connect the all cables to J1~J5 connectors of center panel.
5. Attach the center panel to front cover.



**FRONT COVER INSTALLATION
ILLUSTRATION 6-1**

Rev 1

7. Post Cover

1. Put R and L Post covers near post inside, connect pinch sensor connector of post cover to A1(L)/A2(R) label cables of run 1018 for each side.
2. Install R and L Post Covers to magnet frame with 6 screws(U0438AA) for each cover according to the installation order.

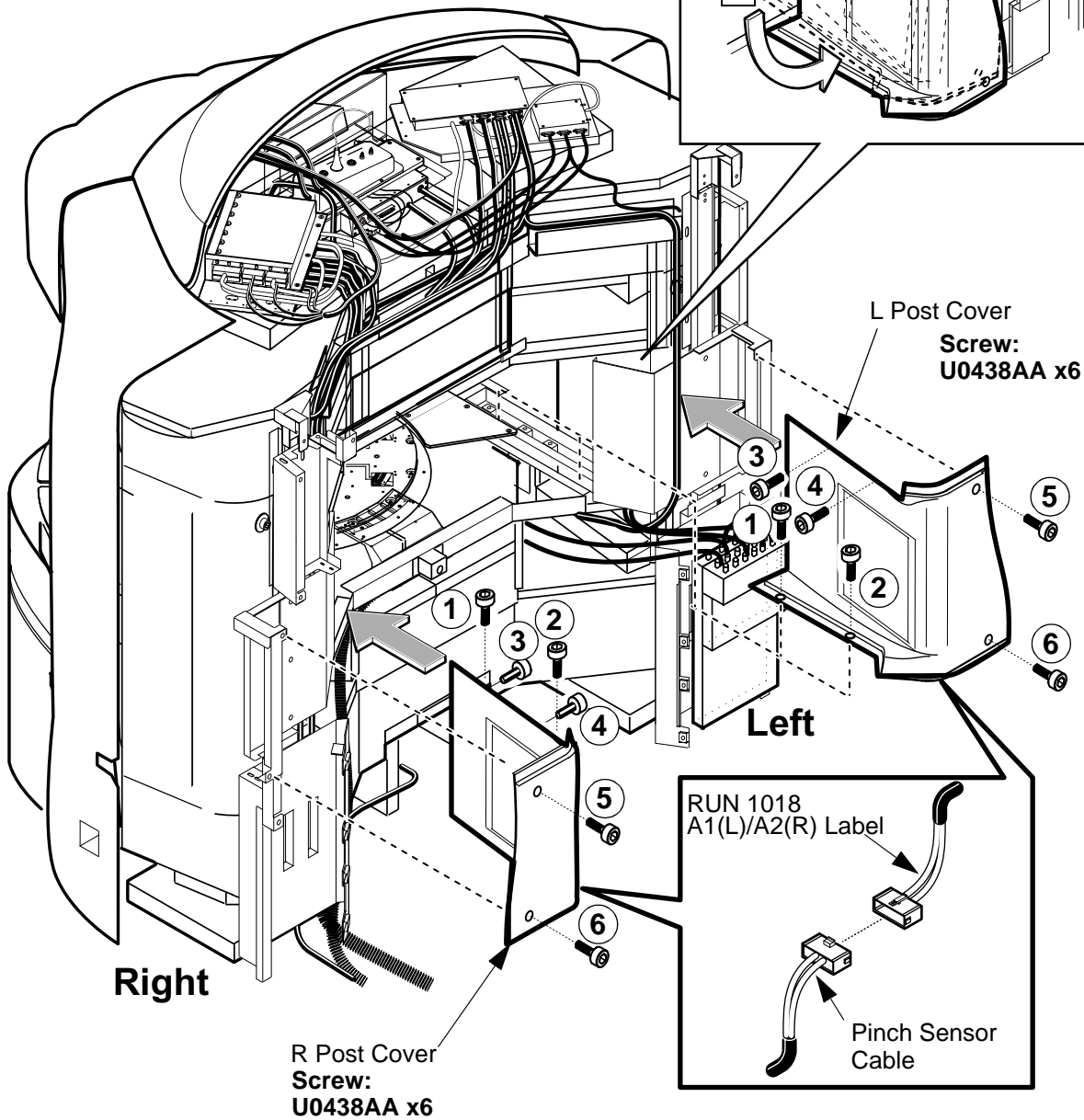
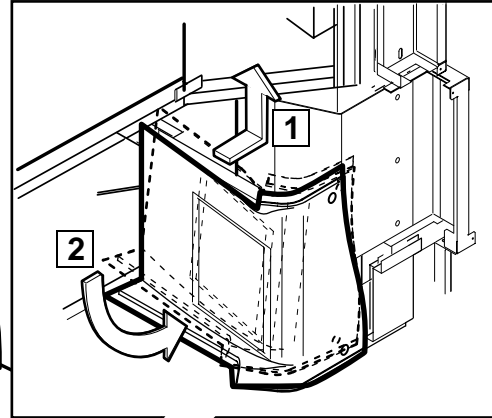
NOTE1:

Use 5mm-S Metric Allen Wrench to No.3 screw of L Post Cover.

NOTE2:

Install cover so that a clearance between covers becomes level.
Refer to Cover Clearance Adjustment of page 12.

Post Cover Installation Order:



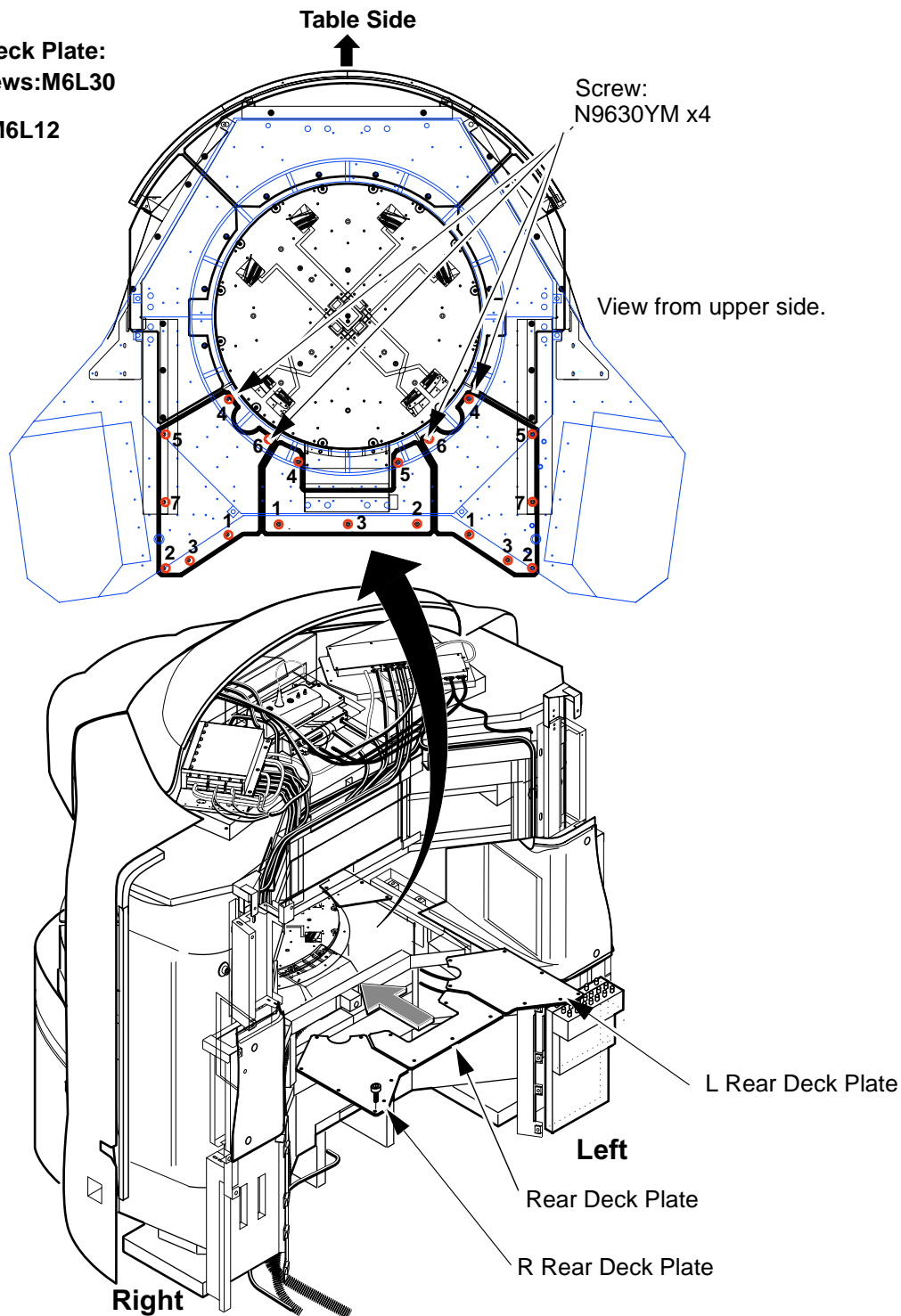
POST COVER INSTALLATION
ILLUSTRATION 7-1

Rev 1

8. Rear Deck Plate

1. Check that the all connection and routing of cables and units are normal.
2. Install Rear Deck Plates with 19 screws(temporary tightening:N9630YM x4, U0438AA x15) onto the rear lower frames as illustration.
3. Tighten the 19 screws on rear deck plates.

L and R Rear Deck Plate:
No.4 and 6 Screws:M6L30
Other Screws:M6L12

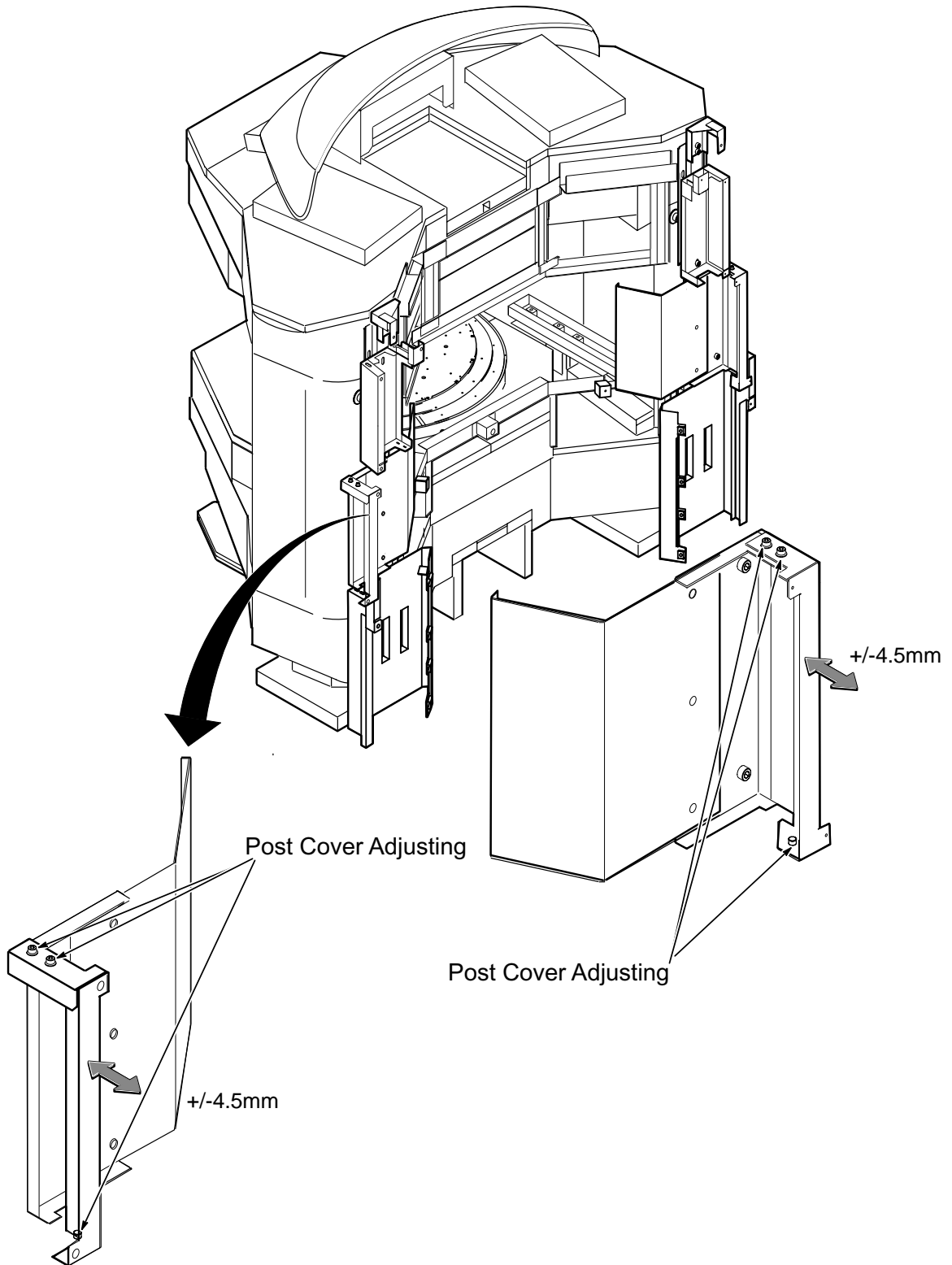


REAR DECK PLATE INSTALLATION
ILLUSTRATION 8-1

Rev 1

9. Post Cover Clearance Adjustment

1. Install post cover so that a clearance between covers becomes level.



POST COVER CLEARANCE ADJUSTMENT
ILLUSTRATION 9-1

Rev 1

Revision History

Rev	Date	Author	Primary Reasons For Change
0	Mar 09, 2001	K.Tsumagari	Initial Release
1	May 19, 2001	K.Tsumagari	1. Top Cover installation is added 2. Side Cover installation is separated to attached sheet. 3. Misc Change