

MAGNET COVER INSTALLATION

VOLUME 1

TABLE OF CONTENTS

Table of Contents 1

1.Preparation 2

2.DETERMINE PAC REMOTE INTERFACE LOCATION 3

3.Apron Cover 4

4.Side Cover 5

5.Front Cover 10

6.Post Cover 12

6.Rear Deck Plate 13



FERROUS MATERIAL HAZARD! THE CRIMP TOOL, AND OTHER TOOLS AND PARTS REQUIRED FOR THIS INSTALLATION CONTAIN FERROUS MATERIAL AND WILL BE STRONGLY ATTRACTED TO MAGNET AND MAY BECOME DANGEROUS PROJECTILES. IF MAGNET IS AT FULL FIELD – KEEP ALL FERROUS TOOLS AT LEAST 10 FEET AWAY FROM THE MAGNET.

NOTE:

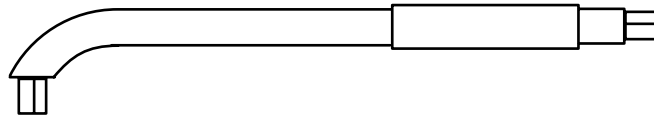
There are two routing for Peripheral Cable of PAC as follow.

- M3 Site: Route peripheral cable between side cover and front cover.Refer to 7 and 9 page.
 - M4 Site: Route peripheral cable to under side of PAC remote interface.Refer to 4 page.
- When install side cover, route peripheral cable according to M3 or M4 routing.

1. Preparation

Required Tool:

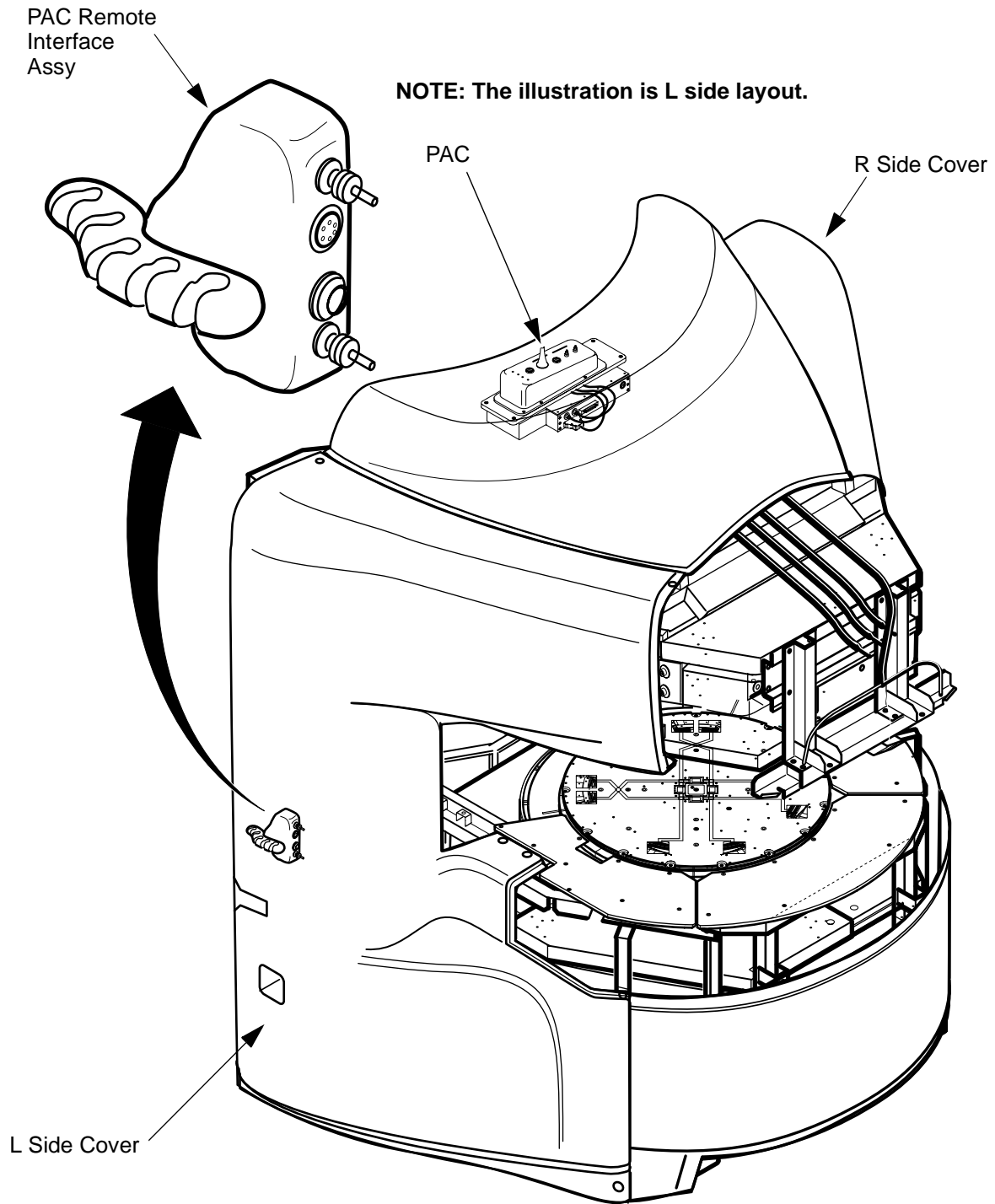
Items	Qty	Type/Parts Number	Part
Metric Allen Wrench Set	1	Non ferrous	
5mm-S Metric Allen Wrench	1	Non ferrous Short Type 46-320470P9	L-Post Cover



5mm-S Metric Allen Wrench

2. DETERMINE PAC REMOTE INTERFACE LOCATION

1. Consult with customer to determine which side of magnet PAC Remote Interface Assy should be located.

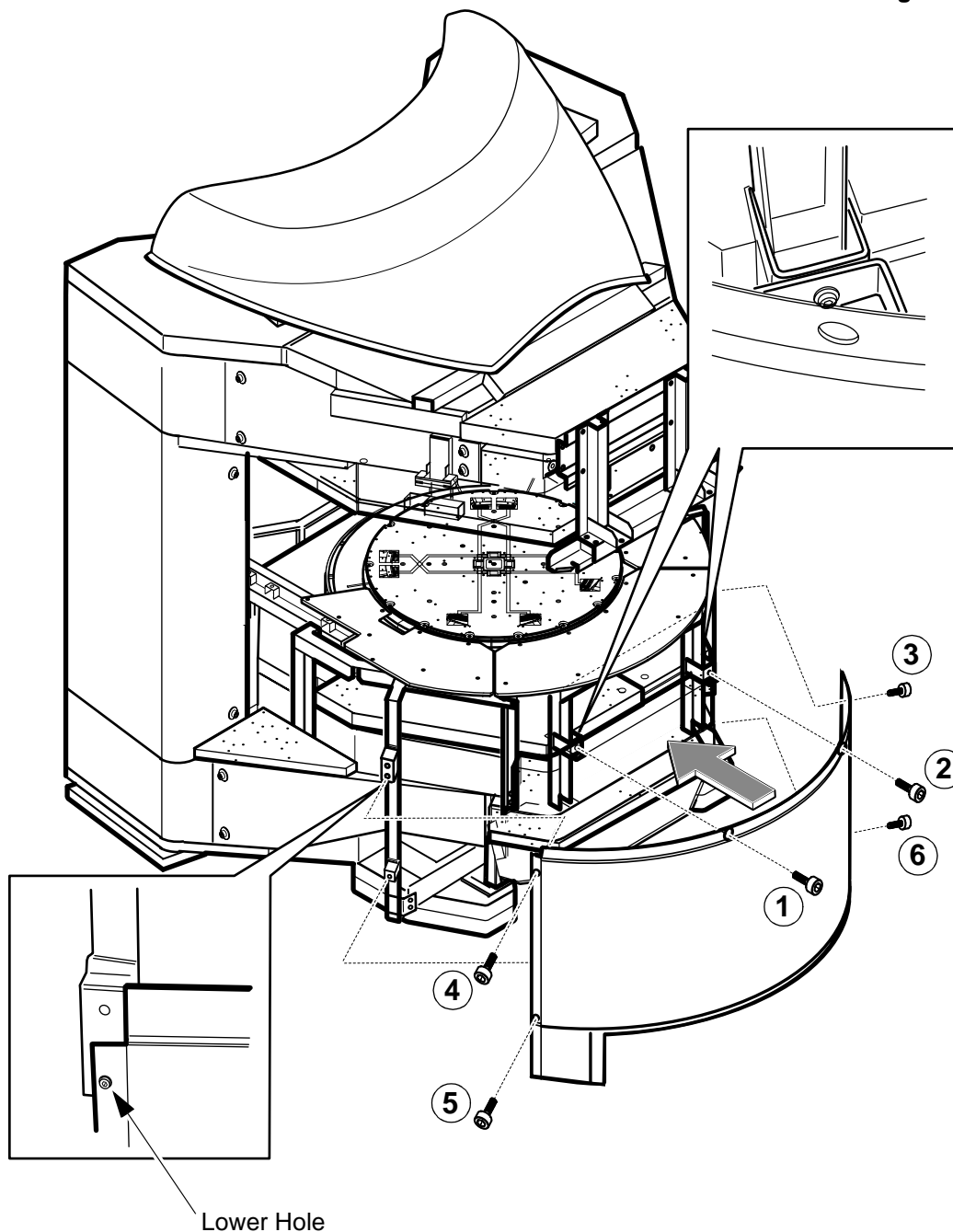


**DETERMINE PAC REMOTE INTERFACE LOCATION
ILLUSTRATION 2-1**

3. Apron Cover

1. Install the Apron Cover to the front and side frame of the Magnet with 6 screws.

NOTE:The screw number is tightening order.



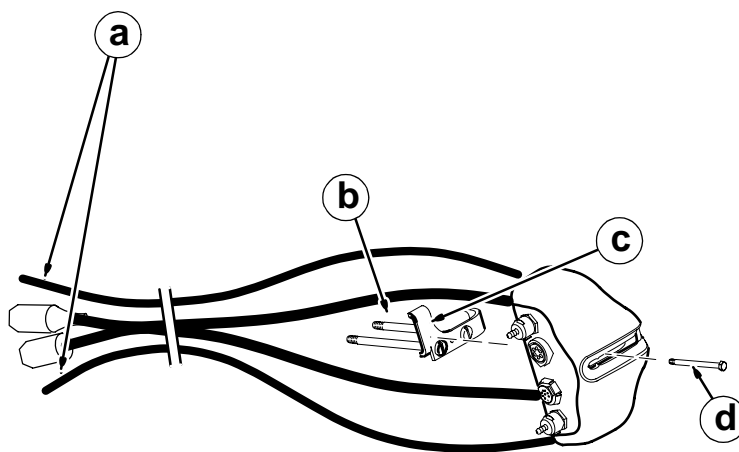
APRON COVER INSTALLATION
ILLUSTRATION 3-1

4. Side Cover



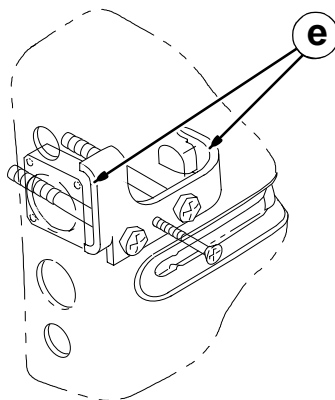
At least two people are required to install the Side Covers.

1. Consult with customer to determine which side of magnet PAC Remote Interface Assy should be located.
2. Install the PAC Remote Interface Assy to the L or R Side Cover according to site layout.
 - a. Apply tape around end of pneumatic tubes and mark "TOP" to the opposite end of the tube connected to the top connector in the Remote PAC Interface Assembly and "BOTTOM" to the tube connected to the lower connector.
 - b. Insert two (2) screws M6 x 70mm (2109873-33) screws into Clip (2221023).
 - c. Insert Clip with screws into shell as shown with top cable and tube above Clip and bottom cable and tube below.
 - d. Hold in place by inserting provided M4 screw thru slot and turning about 3 or 4 turns into Clip.



PREPARE CABLES AND TUBES FOR ROUTING
ILLUSTRATION 4-1

- e. Make sure each side of clip is mounted behind housing blocks.



POSITION REMOTE PAC INTERFACE MOUNTING CLIP
ILLUSTRATION 4-2

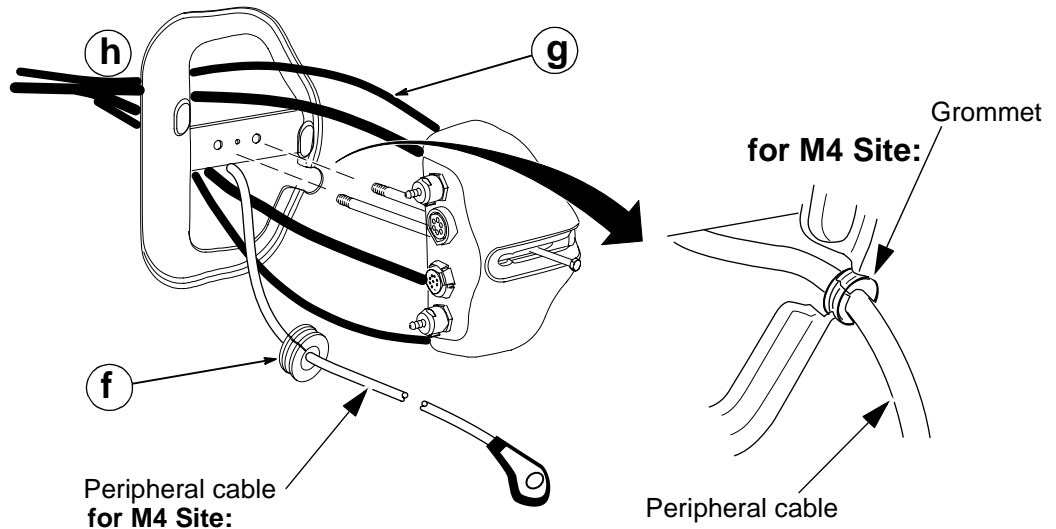
4. Side Cover(Continued)

f. For M4 site, Attach grommet to Peripheral cable and set grommet/peripheral cable to grommet hole. For M3 site, route peripheral cable between side cover and front cover.

g. Insert ECG Cable first. Route this thru premounted foam tube (if available) located on inside of Arc cover.

h. Route Peripheral Pulse cable and tubes next.

Note: Top two cables will be routed thru top opening and bottom two cables will be routed thru lower opening.

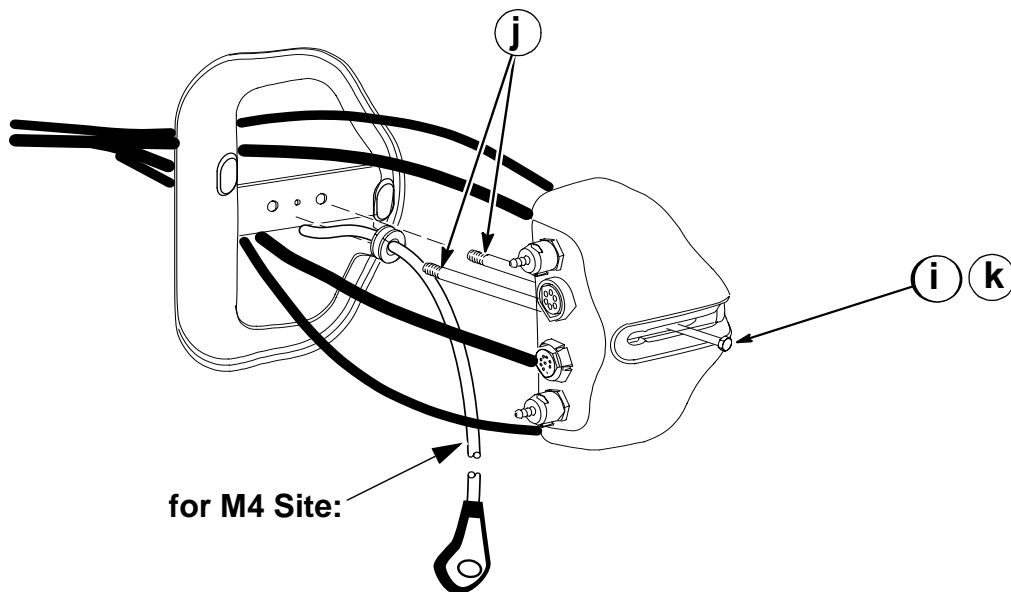


ROUTE REMOTE PAC INTERFACE CABLES AND TUBES
ILLUSTRATION 4-1

i. Use M4 screw thru slot to lift and guide small end of Clamp over block inside housing.

j. Using screwdriver thru housing slot, tighten down the M6 screws to lock housing in place.

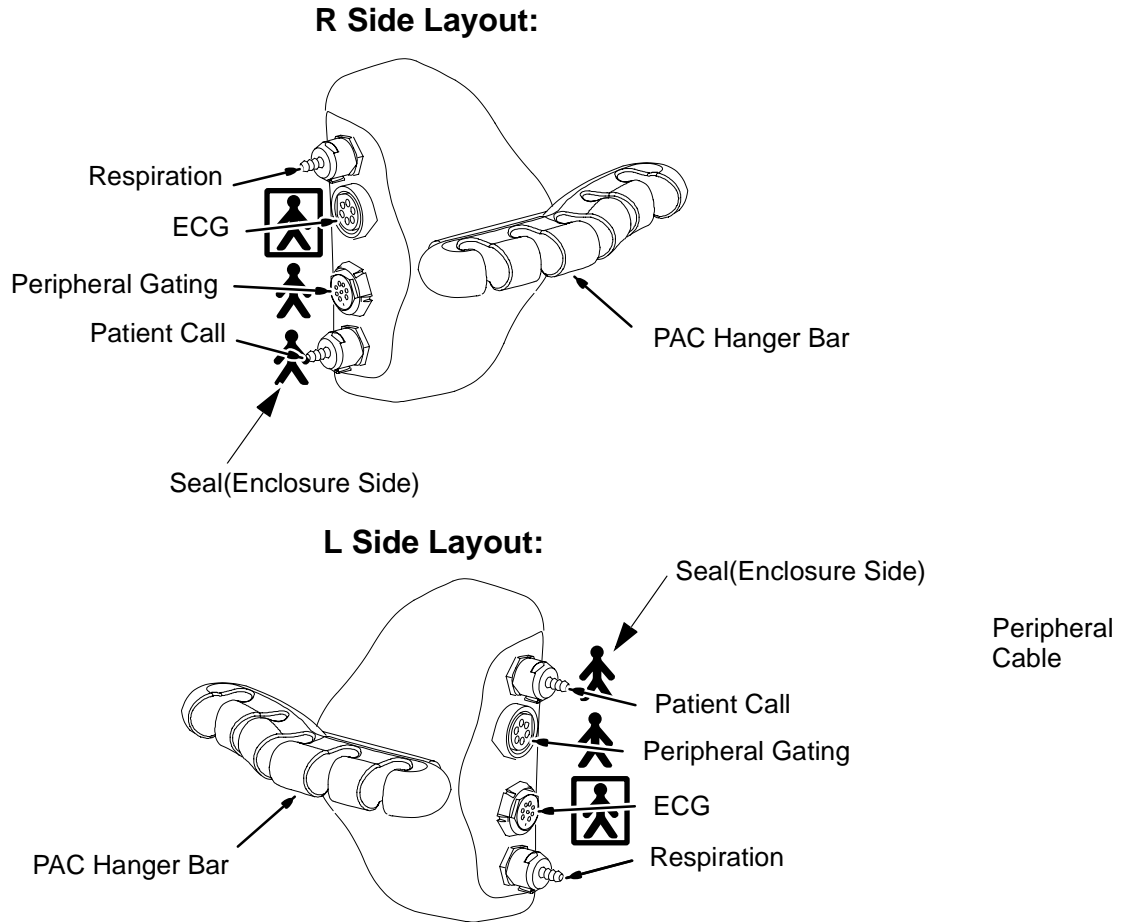
k. Remove M4 screw and save for use at later time since it would be required if Remote PAC Interface Assembly would need to be removed at any time in the future. OR Turn the M4 screw inward until there is clearance for sliding the PAC Hanger Bar in T5 into place.



INSTALLING REMOTE PAC INTERFACE
ILLUSTRATION 4-2

4. Side Cover(Continued)

- l. Attach cables as indicated below.
- m. Slide PAC Hanger Bar (2221023) into position.
- n. Attach the seals to side cover as illustration.



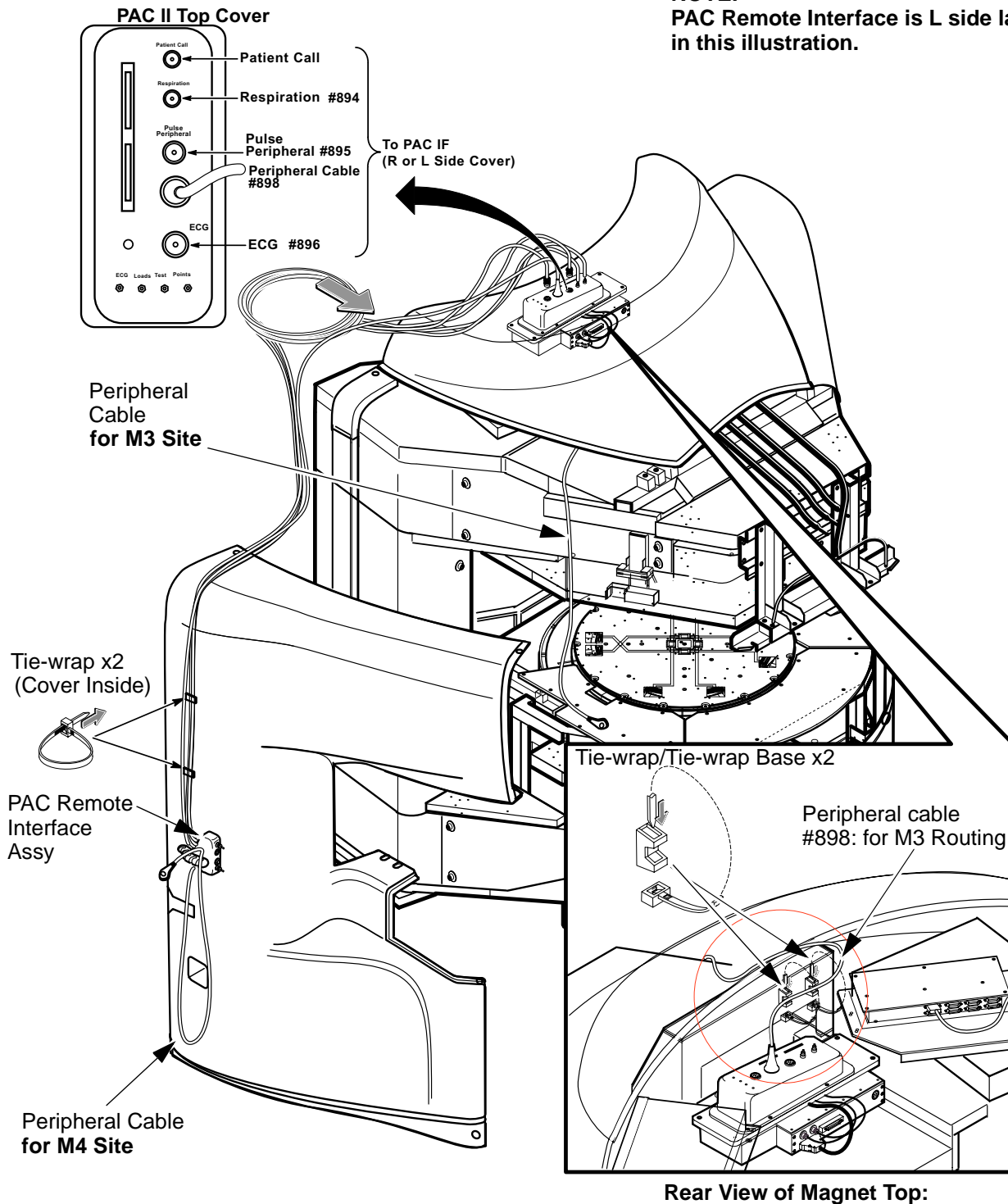
INSTALL PAC HANGER BAR AND SEAL
ILLUSTRATION 4-1

4. Side Cover(Continued)

PAC Interface Side:

3. Route and connect the cables of PAC Remote Interface Assy to PAC on the magnet.
4. Fix the PAC interface cables to cover inner side with 2 tie-wraps, and then route the PAC interface cables onto magnet.

NOTE:
PAC Remote Interface is L side layout in this illustration.



SIDE COVER INSTALLATION
ILLUSTRATION 4-1

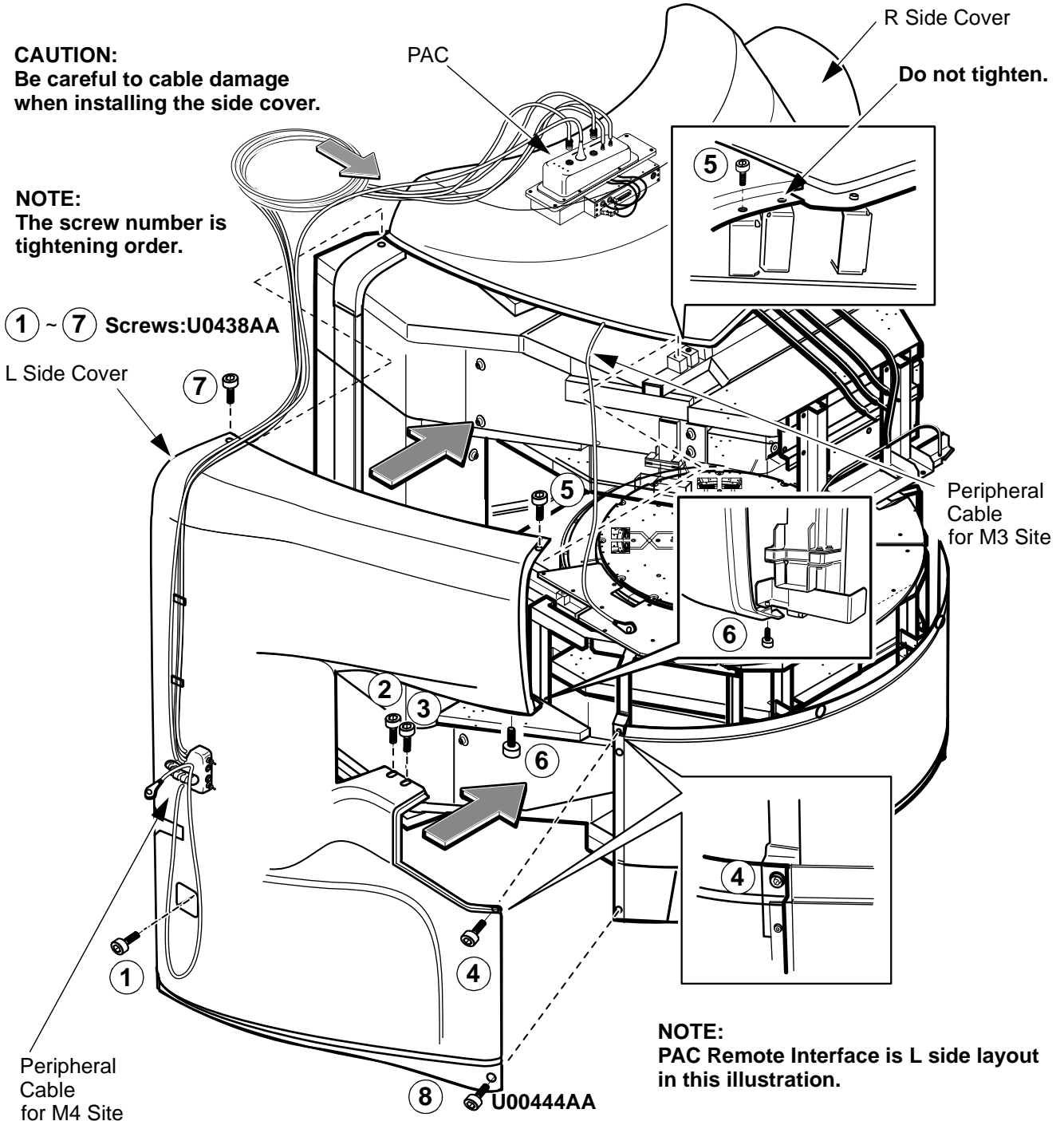
4. Side Cover(Continued)

PAC Interface Side:

- 5. Install Side Cover of PAC interface side with 8 screws according to site layout.
- 6. Route and connect the cables of PAC Remote Interface Assy to PAC on the magnet.

CAUTION:
Be careful to cable damage when installing the side cover.

NOTE:
The screw number is tightening order.



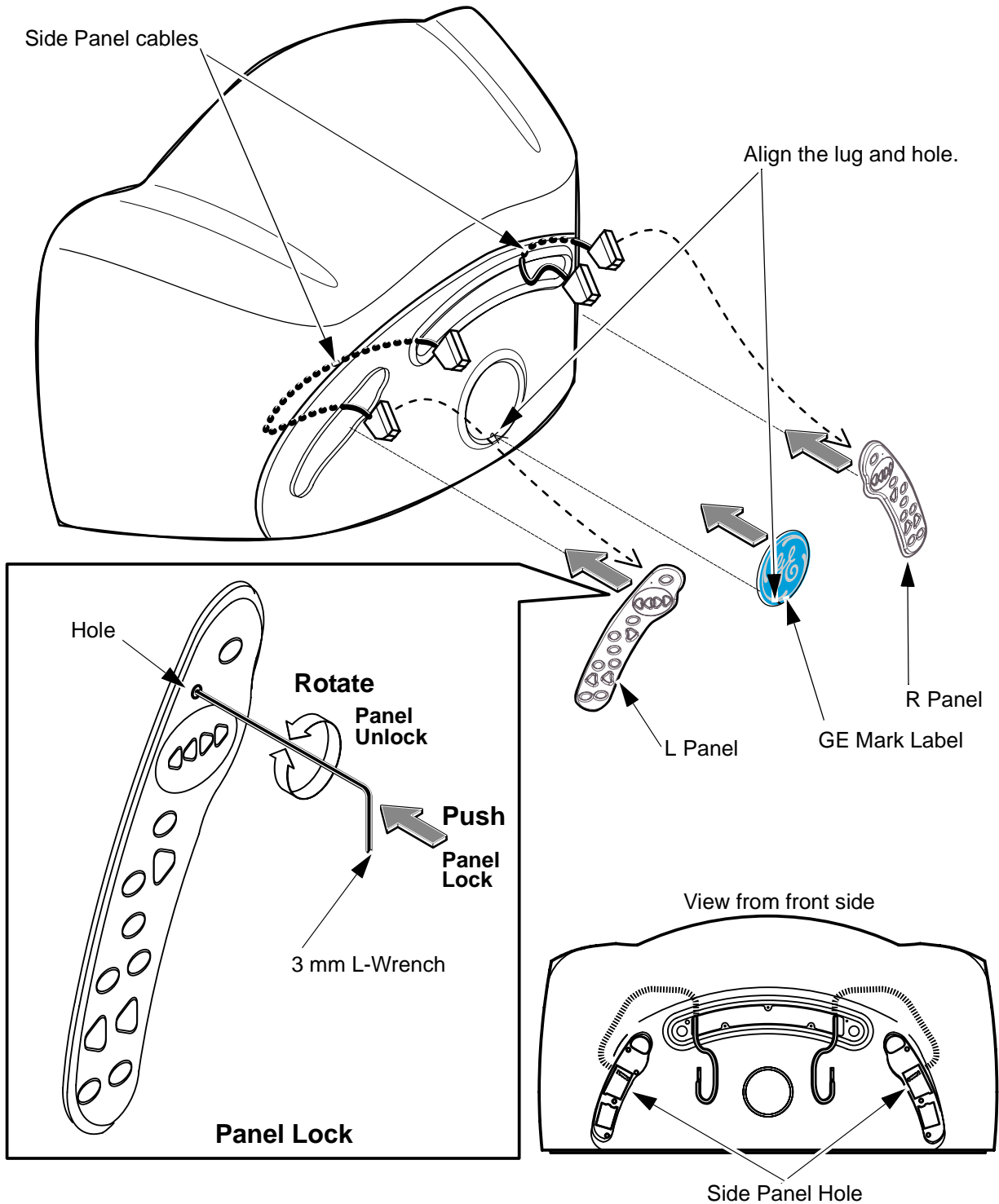
SIDE COVER INSTALLATION
ILLUSTRATION 4-1

Another Side:

- 7. Install the dummy PAC Remote Interface for another side cover.(There is no cable connection)
- 8. Install the another side cover with 8 screws.

5. Front Cover

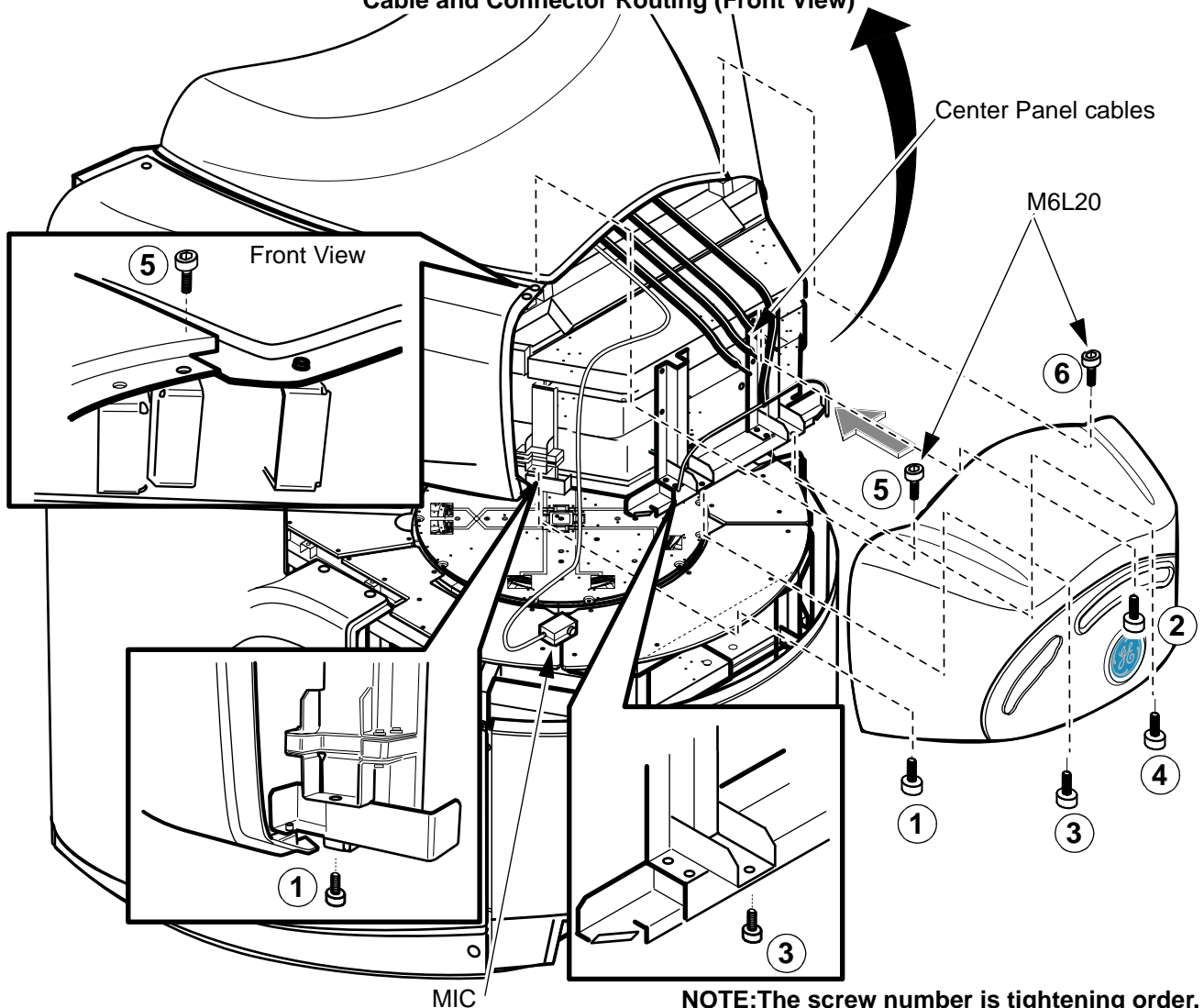
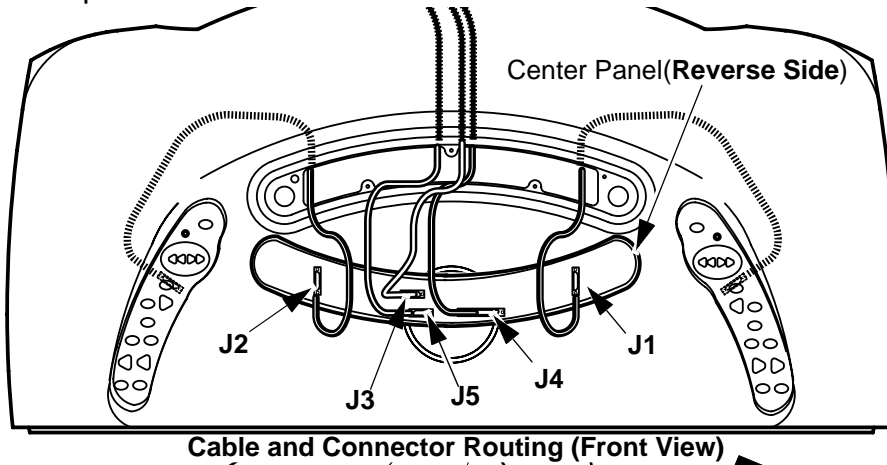
1. Before installing front cover, Install the following parts to front cover.
 - a. Install the GE Mark label aligning the lug and hole.
 - b. Route the R and L panel cables from side panel holes to center panel hole.
 - c. Connect side panel cable to L panel, and attach the L panel to front cover.
 - d. Connect side panel cable to R panel, and attach the R panel to front cover.



FRONT COVER INSTALLATION
ILLUSTRATION 5-1

5. Front Cover(Continued)

2. Route the MIC cable as illustration and put the MIC on deck plate.
3. Install the Front Cover to the Magnet front side with 6 screws.
4. Connect the all cables to J1~J5 connectors of center panel.
5. Attach the center panel to front cover.



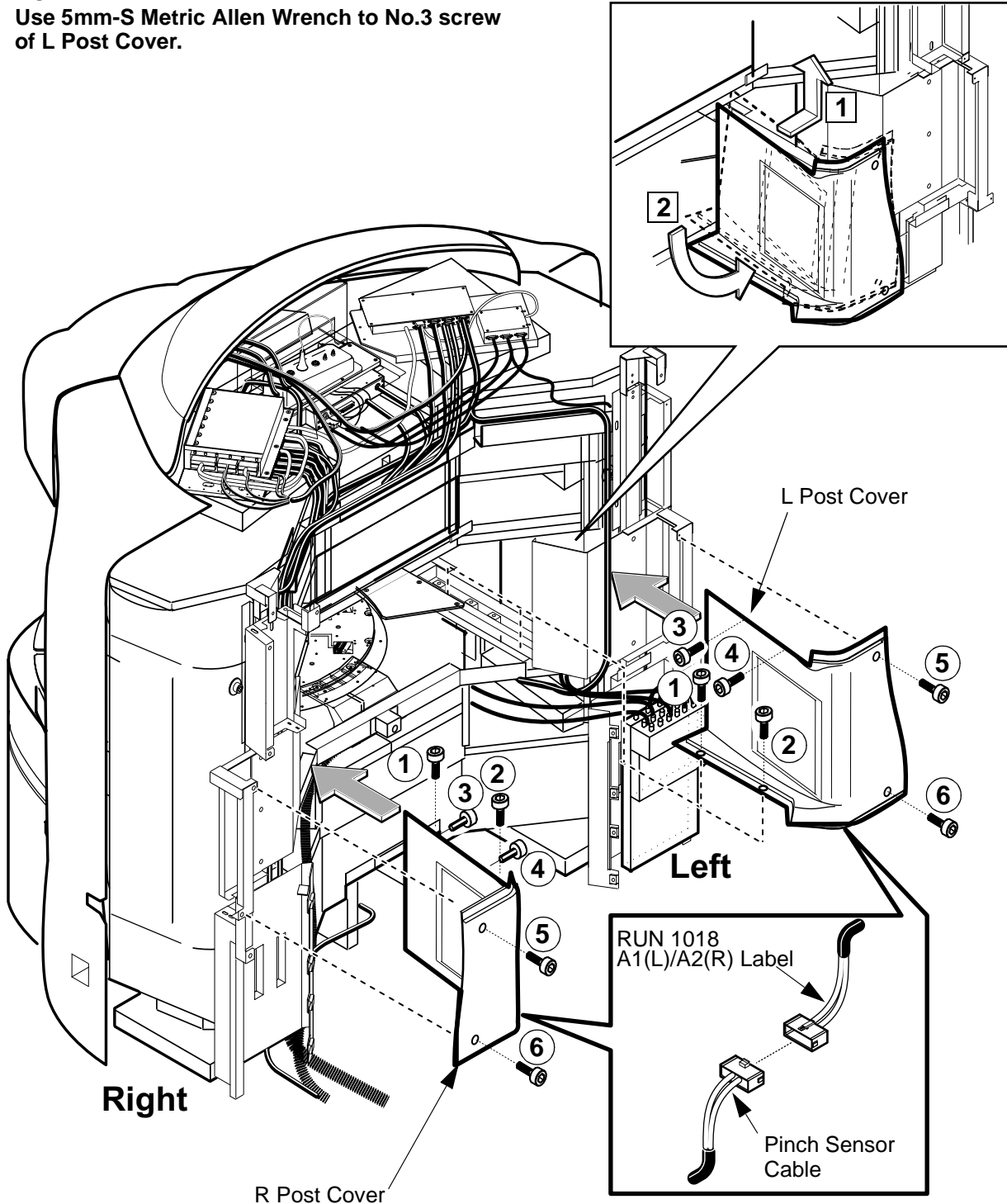
FRONT COVER INSTALLATION
ILLUSTRATION 5-1

6. Post Cover

1. Put R and L Post covers near post inside, connect pinch sensor connector of post cover to A1(L)/A2(R) label cables of run 1018 for each side.
2. Install R and L Post Covers to magnet frame with 6 screws for each cover according to the installation order.

NOTE:
 Use 5mm-S Metric Allen Wrench to No.3 screw of L Post Cover.

Post Cover Installation Order:



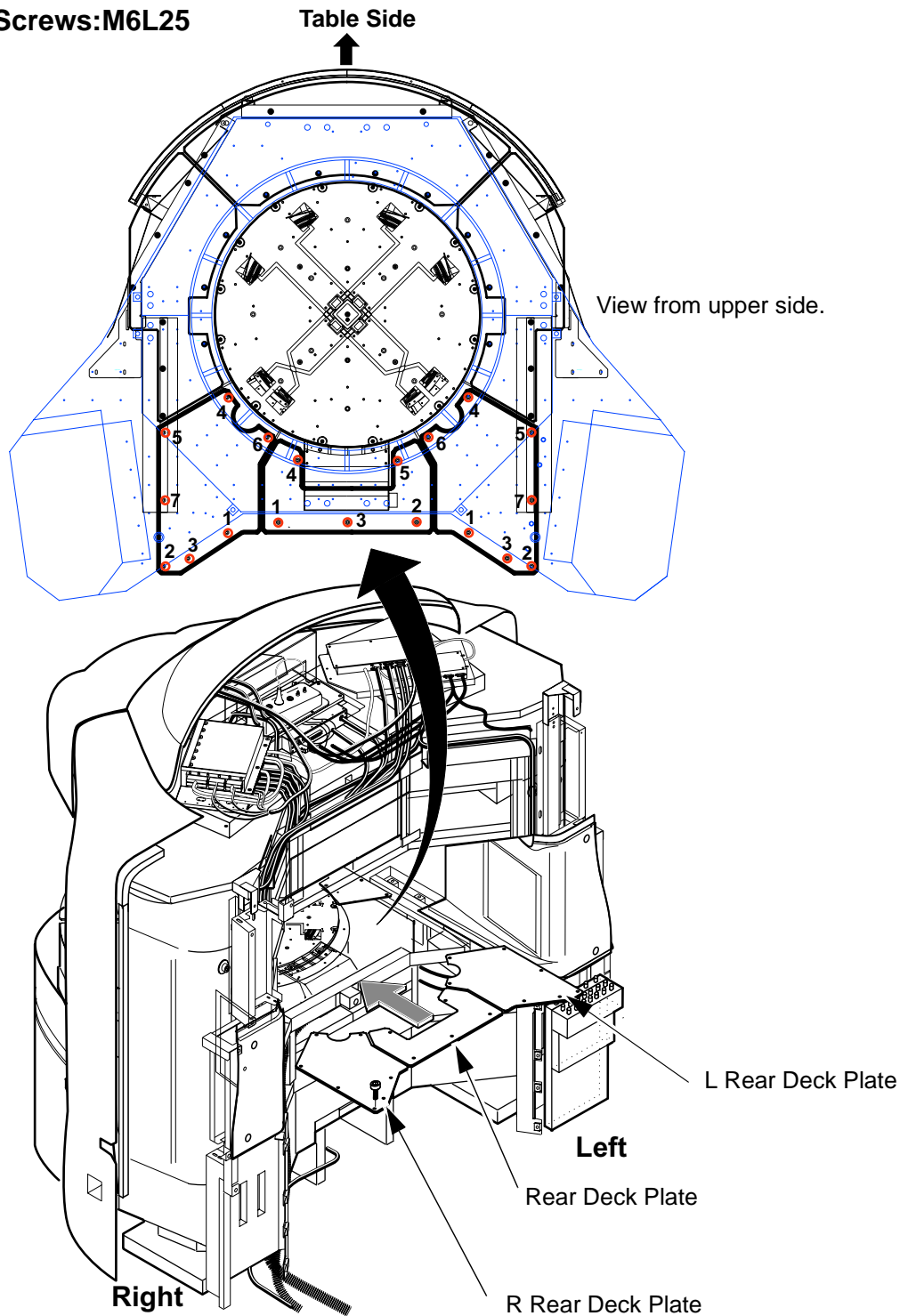
POST COVER INSTALLATION
 ILLUSTRATION 6-1

7. Rear Deck Plate

1. Check that the all connection and routing of cables and units are normal.
2. Install Rear Deck Plates with 19 screws(temporary tightening) onto the rear lower frames.
3. Tighten the 19 screws on rear deck plates.

No.1,2 and 3 Screws:M6L12

No.4,5,6 and 7 Screws:M6L25



REAR DECK PLATE INSTALLATION
ILLUSTRATION 7-1

Revision History

Rev	Date	Author	Primary Reasons For Change
0	Mar 09, 2001	K.Tsumagari	Initial Release