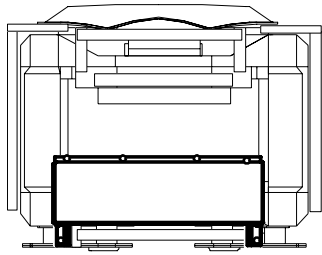
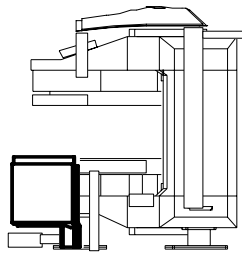


2. Magnet Enclosure Installation

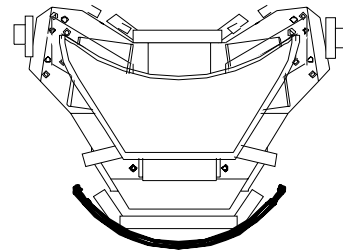
1. Install APRON Cover to the front side of the Magnet with six screws.



Front View



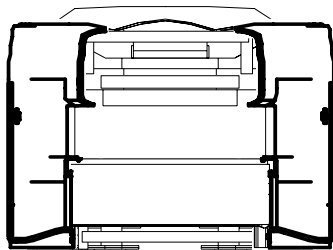
Side View



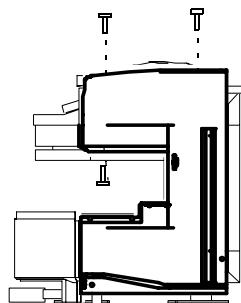
Top View

**APRON COVER INSTALLATION
ILLUSTRATION 2-1**

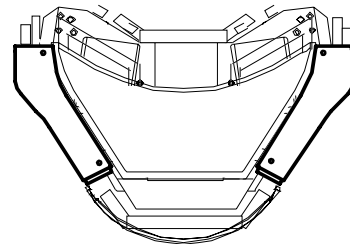
2. Install two SIDE Covers to the left and right side of the Magnet with seven screws for each cover.



Front View



Side View

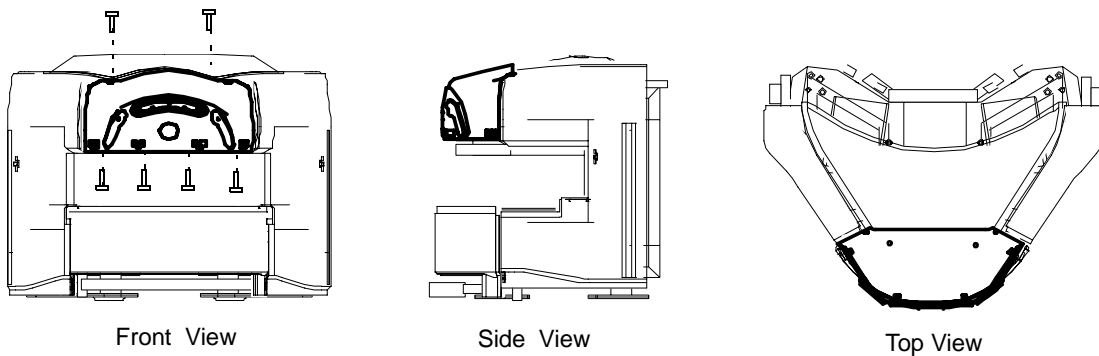


Top View

**SIDE COVER INSTALLATION
ILLUSTRATION 2-2**

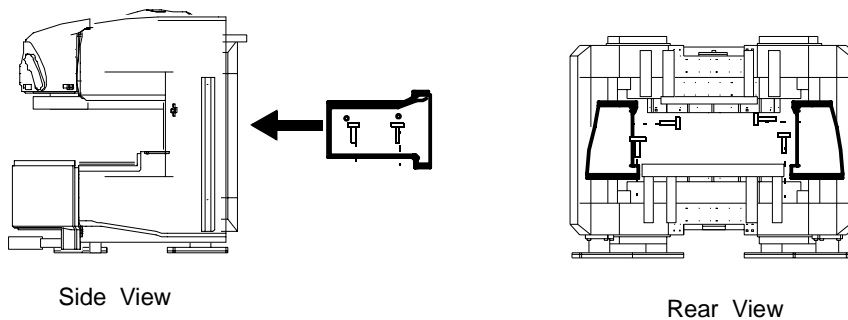
2. Magnet Enclosure Installation (continued)

3. Install FRONT Cover to the front side of the Magnet with ## screws.



FRONT COVER INSTALLATION
ILLUSTRATION 2-3

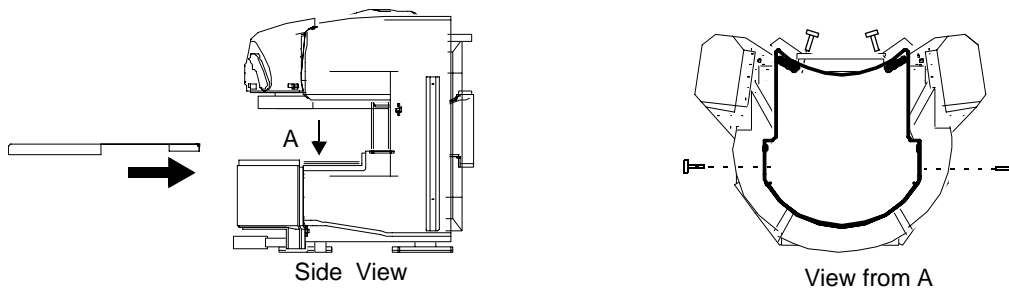
4. Install two POST Covers to the left and right side of the Magnet Arm with 4 screws for each cover.



POST COVER INSTALLATION
ILLUSTRATION 2-4

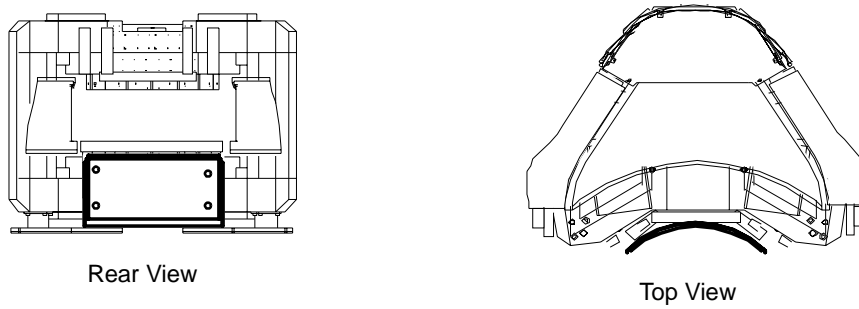
2. Magnet Enclosure Installation (continued)

5. Install FLOOR Cover onto the lower YOKE with four screws.



FLOOR COVER INSTALLATION
ILLUSTRATION 2-5

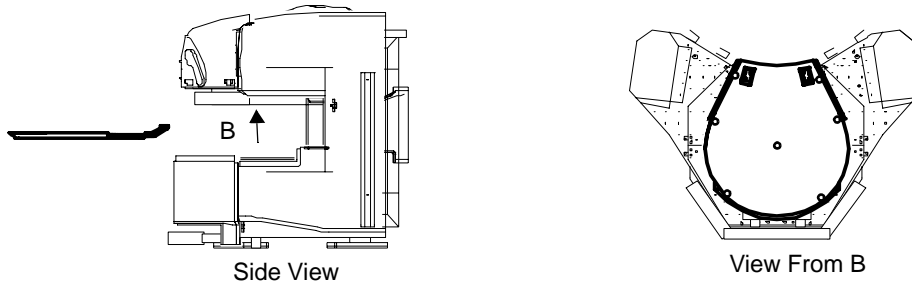
6. Install REAR LOWER Cover to the Rear side of the magnet with four screws.



REAR LOWER COVER INSTALLATION
ILLUSTRATION 2-6

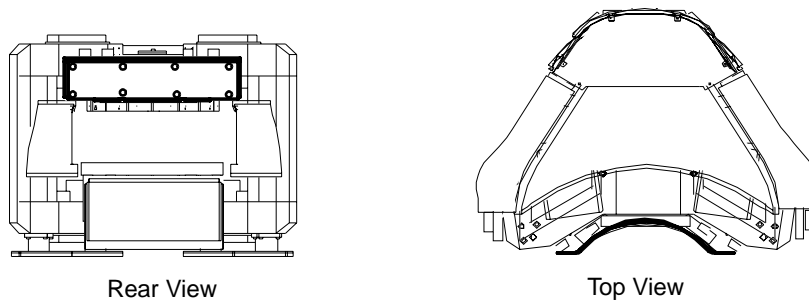
2. Magnet Enclosure Installation (continued)

7. Install CEILING Cover onto the upper YOKE with seven screws.



CEILING COVER INSTALLATION
ILLUSTRATION 2-7

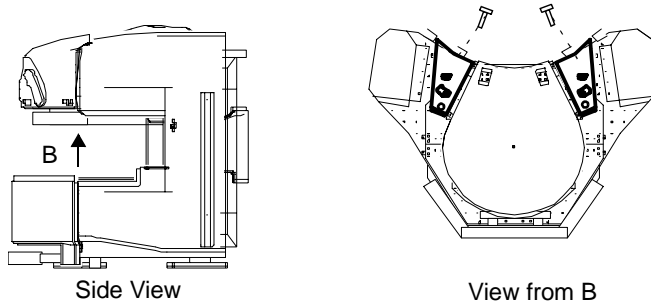
8. Install REAR UPPER Cover to the Rear side of the magnet with eight screws.



REAR UPPER COVER INSTALLATION
ILLUSTRATION 2-8

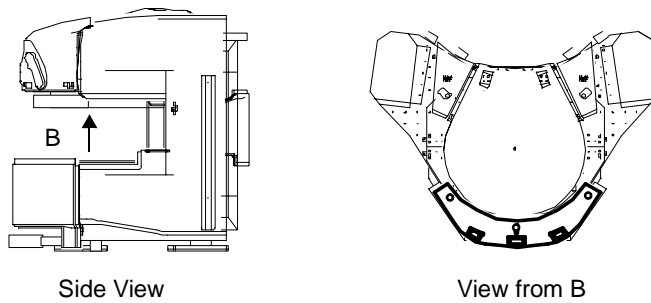
2. Magnet Enclosure Installation (continued)

9. Install two PCM Covers onto the upper ceiling with three screws for each cover.



PCM COVER INSTALLATION
ILLUSTRATION 2-9

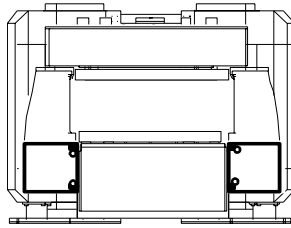
10. Install P-LIGHT Cover under the P-Light with three screws.



P-LIGHT COVER INSTALLATION
ILLUSTRATION 2-10

2. Magnet Enclosure Installation (continued)

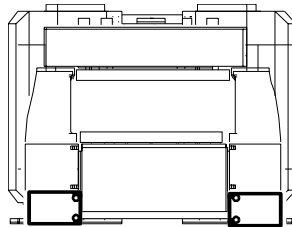
11. Install two QHB Covers to the rear side of the Magnet with two screws for each cover.



Rear View

QHB COVER INSTALLATION
ILLUSTRATION 2-11

12. Install two DUCT BLIND Covers to the rear side of the Magnet with two screws for each cover.

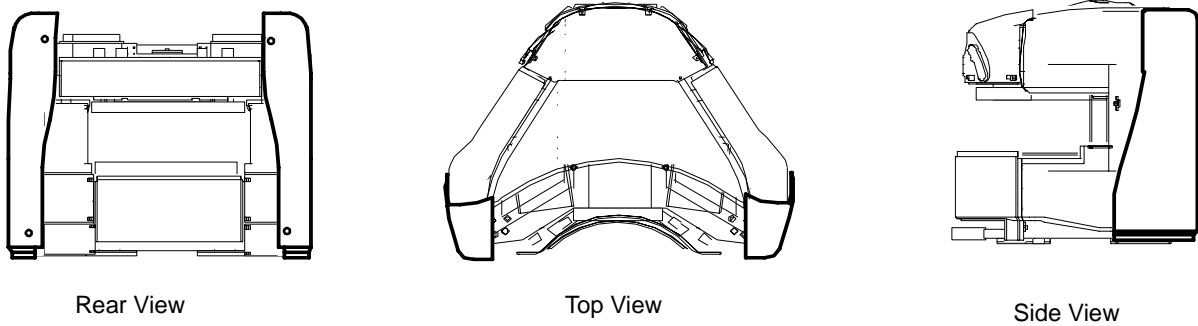


Rear View

DUCT BLIND COVER INSTALLATION
ILLUSTRATION 2-12

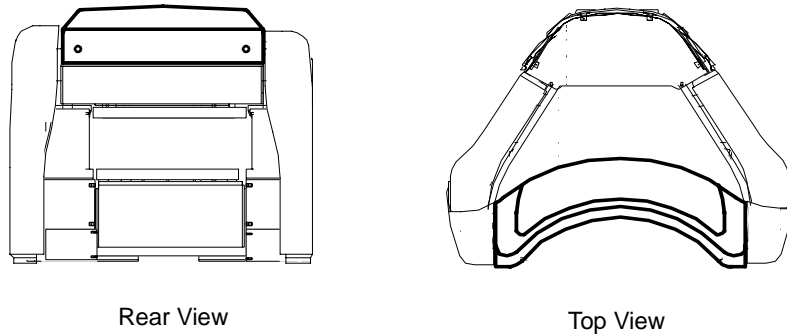
2. Magnet Enclosure Installation (continued)

13. Install two CORNER Covers to the left and right side of the Magnet with two screws for each cover.



CORNER COVER INSTALLATION
ILLUSTRATION 2-13

14. Install Top Cover onto the top of the magnet with two screws.



TOP COVER INSTALLATION
ILLUSTRATION 2-14