

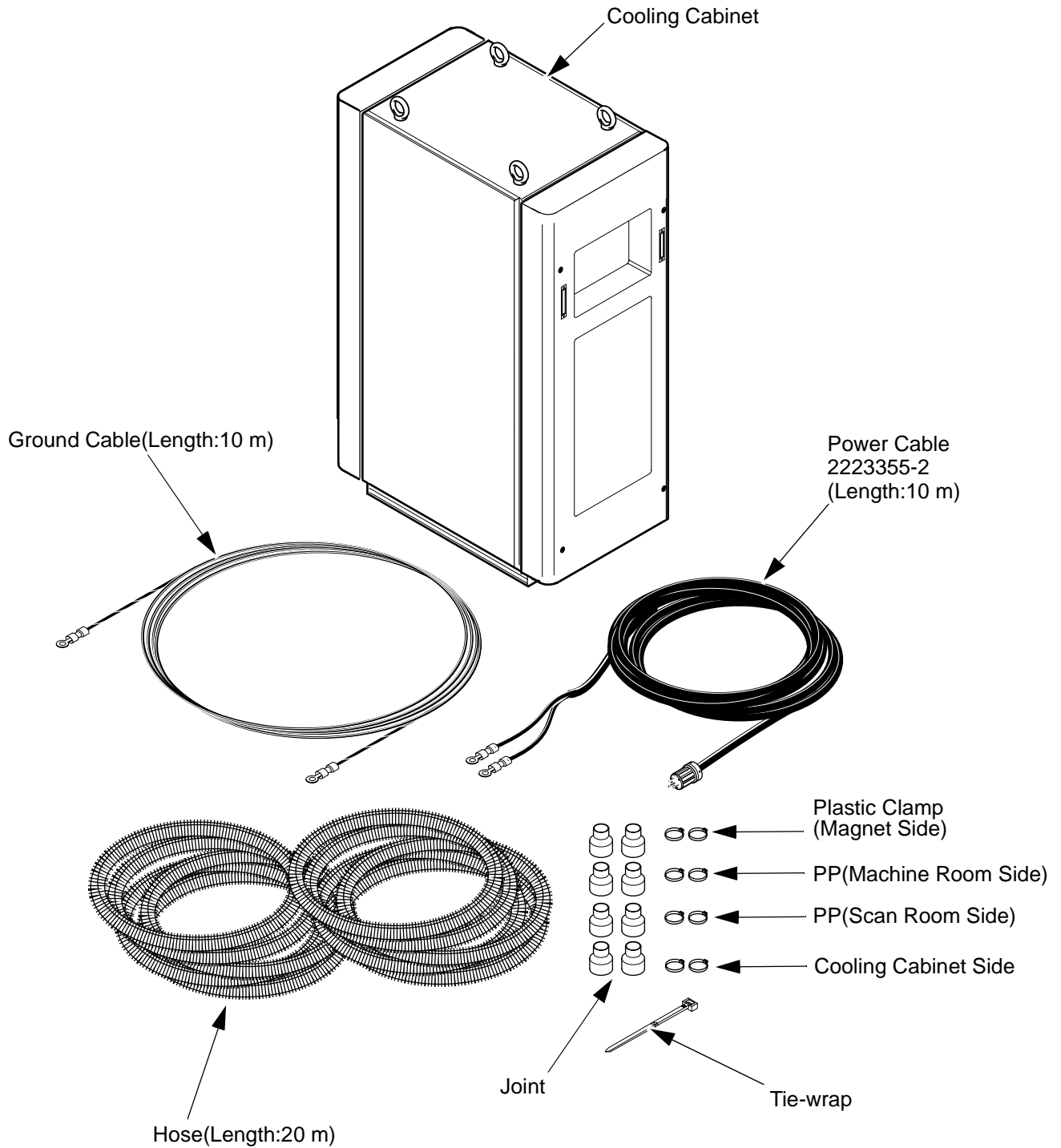
COOLING CABINET INSTALLATION

TABLE OF CONTENTS

Table of Contents	1
1.Preparation	2
2.Front and Rear Cover Removal.....	3
3.Cables Connection.....	4
4.Hoses Connection.....	5
5.Restoration	6

1. Preparation

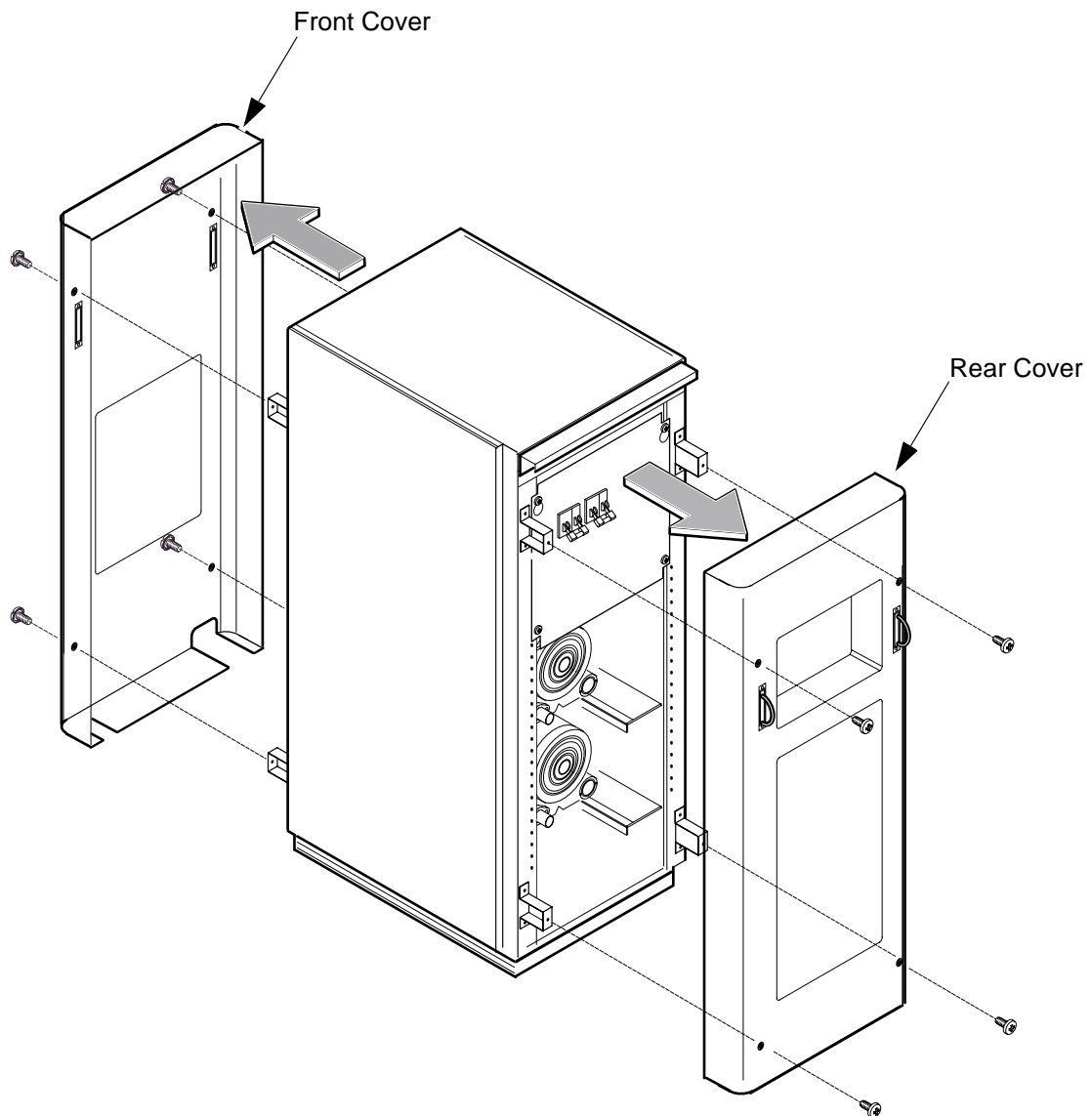
1. Verify that the following parts are already installed before starting the cooling cabinet installation.



COOLING CABINET BEFORE STARTING THE INSTALLATION
ILLUSTRATION 1-1

2. Front and Rear Cover Removal

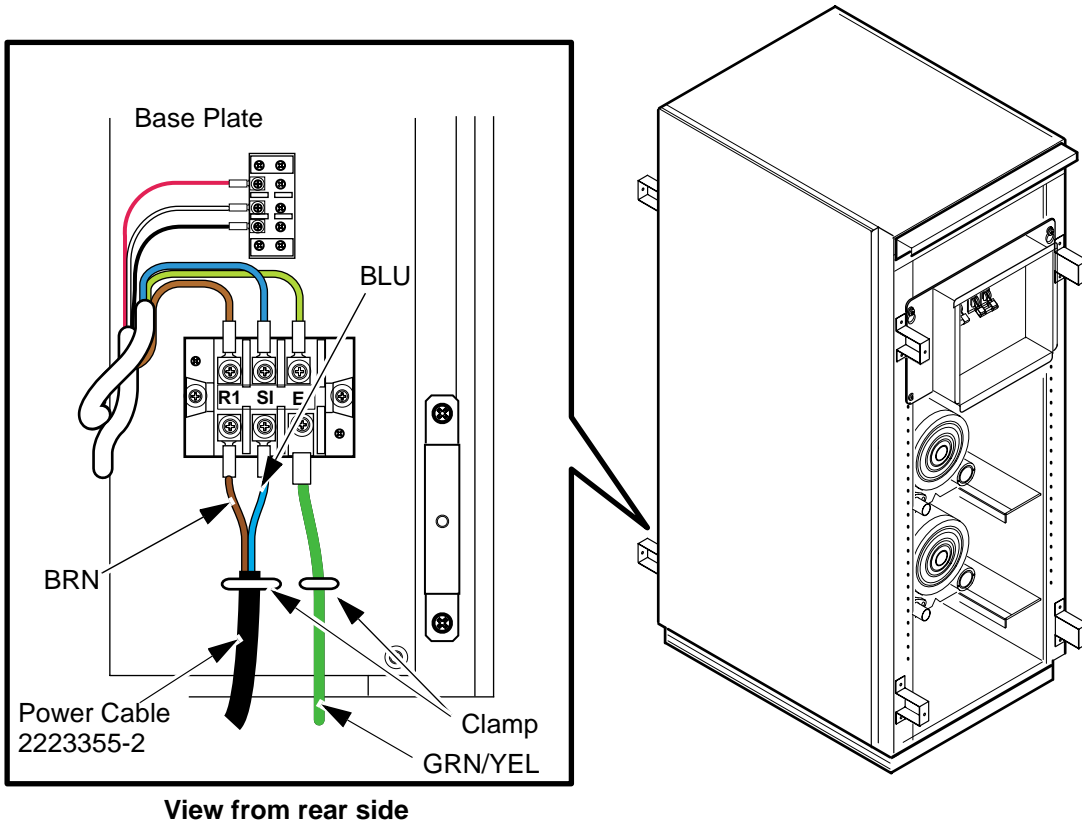
1. Remove the front and rear cover by loosening 4 screws for each side.



FRONT AND REAR COVER REMOVAL
ILLUSTRATION 1-2

3. Cables Connection

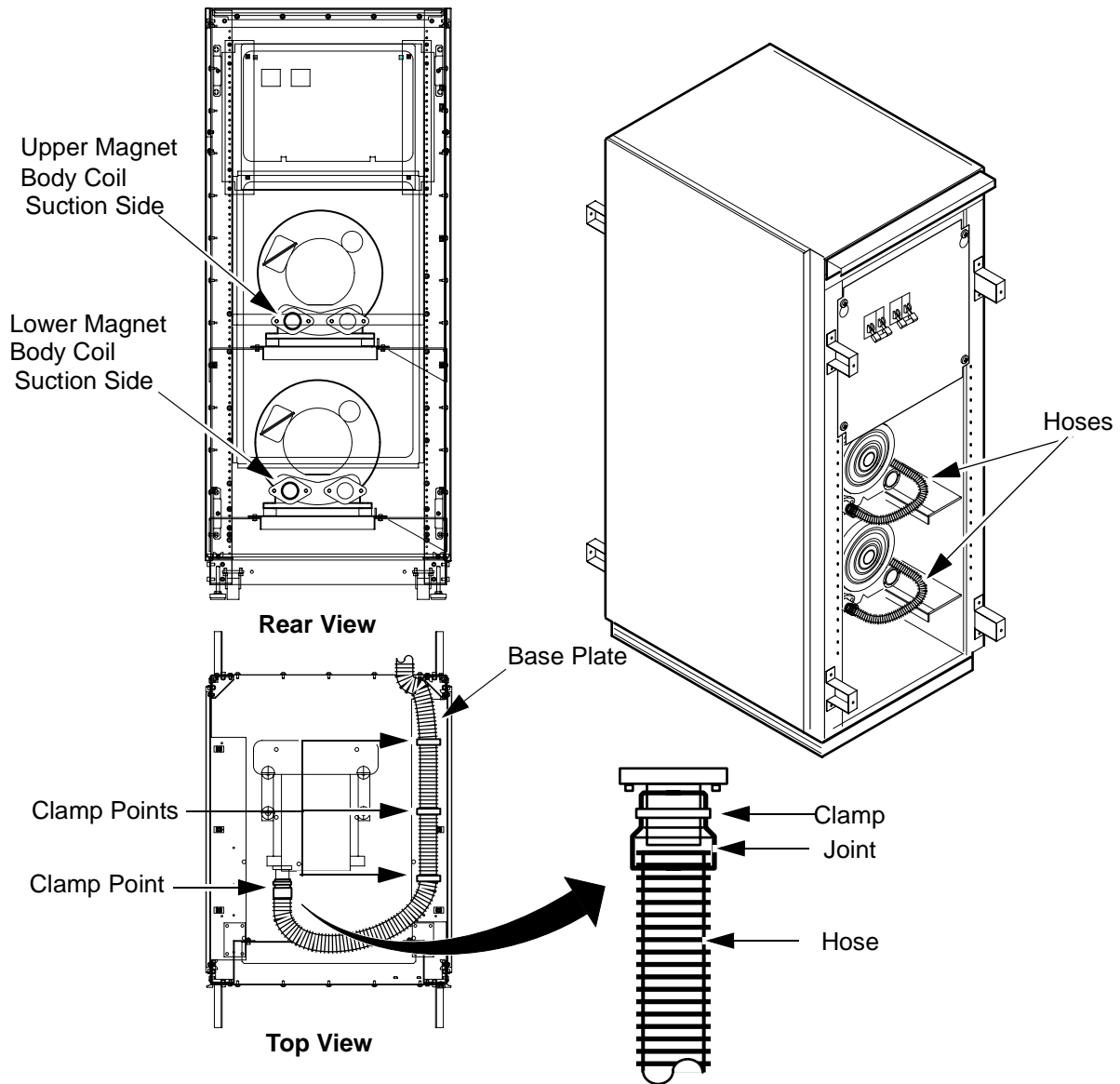
1. Connect the each terminals to rear terminal as shown.
2. Fix the each cables to base plate with clamps.



CABLES CONNECTION
ILLUSTRATION 1-3

4. Hoses Connection

1. Attach the joint to hose end for each side.
2. Install the hose to motor suction side with clamp for each side.
3. Route the upper and lower hoses.(Refer to top view)
4. Fix the hose to base plate with 3 clamps for each side.



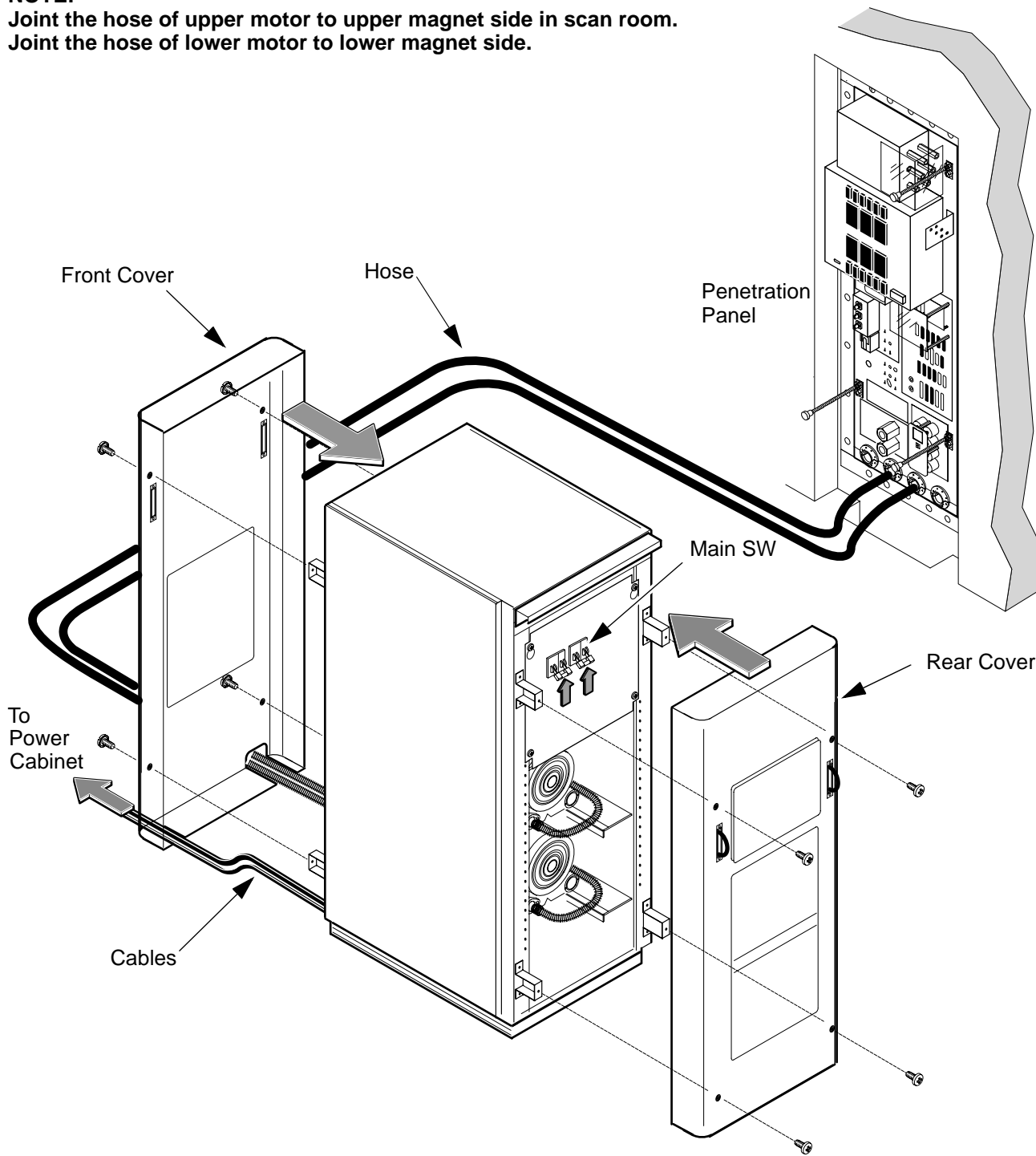
**HOSES CONNECTION
ILLUSTRATION 1-4**

5. Restoration

1. Check that the main switches is power ON.
2. Install the front and rear cover by tightening 4 screws for each side.
3. Connect the hoses to penetration panel.

NOTE:

Joint the hose of upper motor to upper magnet side in scan room.
 Joint the hose of lower motor to lower magnet side.



RESTORATION
 ILLUSTRATION 1-5

Revision History

Rev	Date	Author	Primary Reasons For Change
0	Mar 01, 2001	K.Tsumagari	Initial Release