

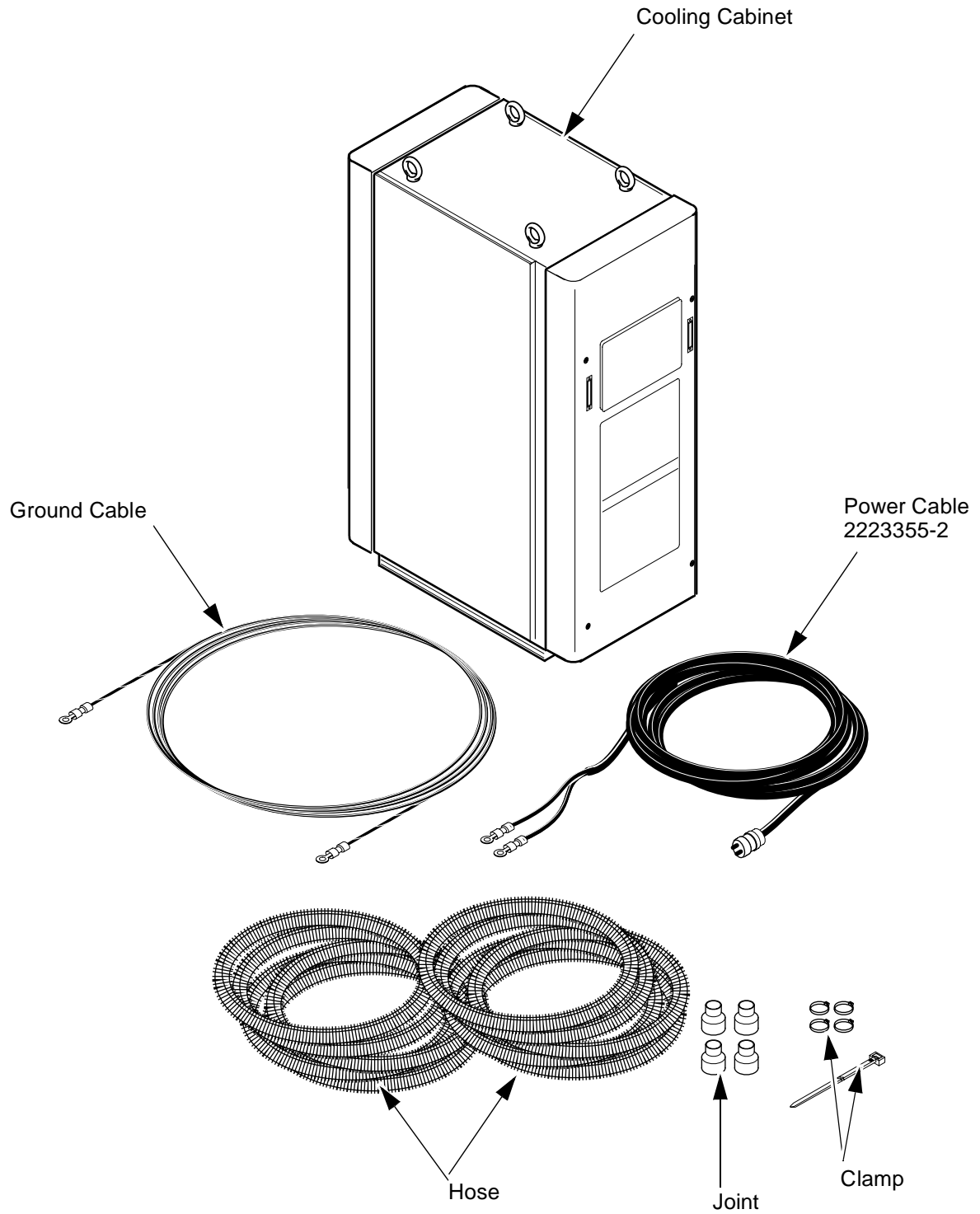
COOLING CABINET INSTALLATION

TABLE OF CONTENTS

1.Preparation	2
2.Front and Rear Cover Removal.....	3
3.Cables Connection.....	4
4.Hoses Connection.....	5
5.Restoration	6

1. Preparation

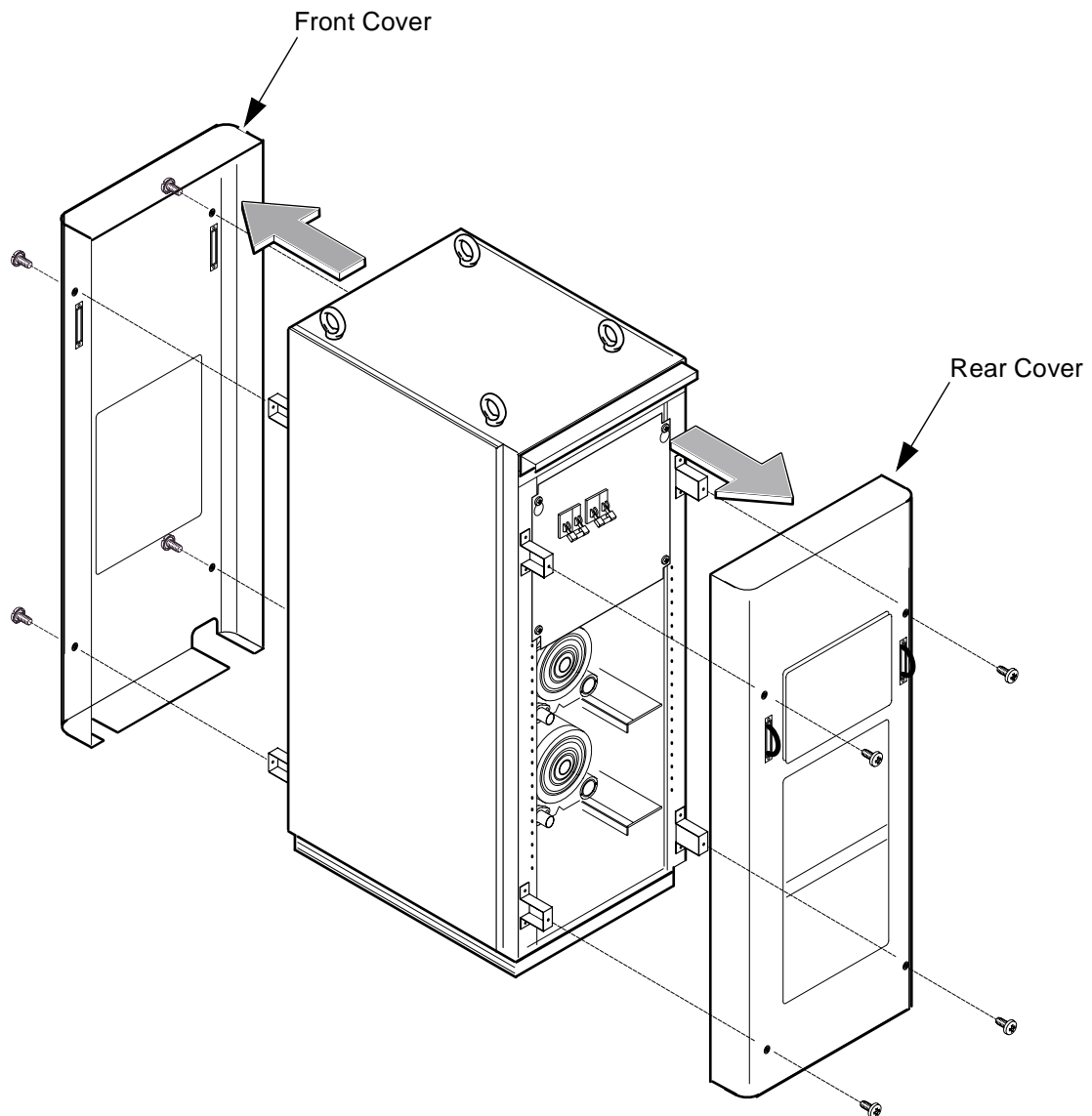
1. Verify that the following parts are already installed before starting the body coil installation.



COOLING CABINET BEFORE STARTING THE INSTALLATION
ILLUSTRATION 1-1

2. Front and Rear Cover Removal

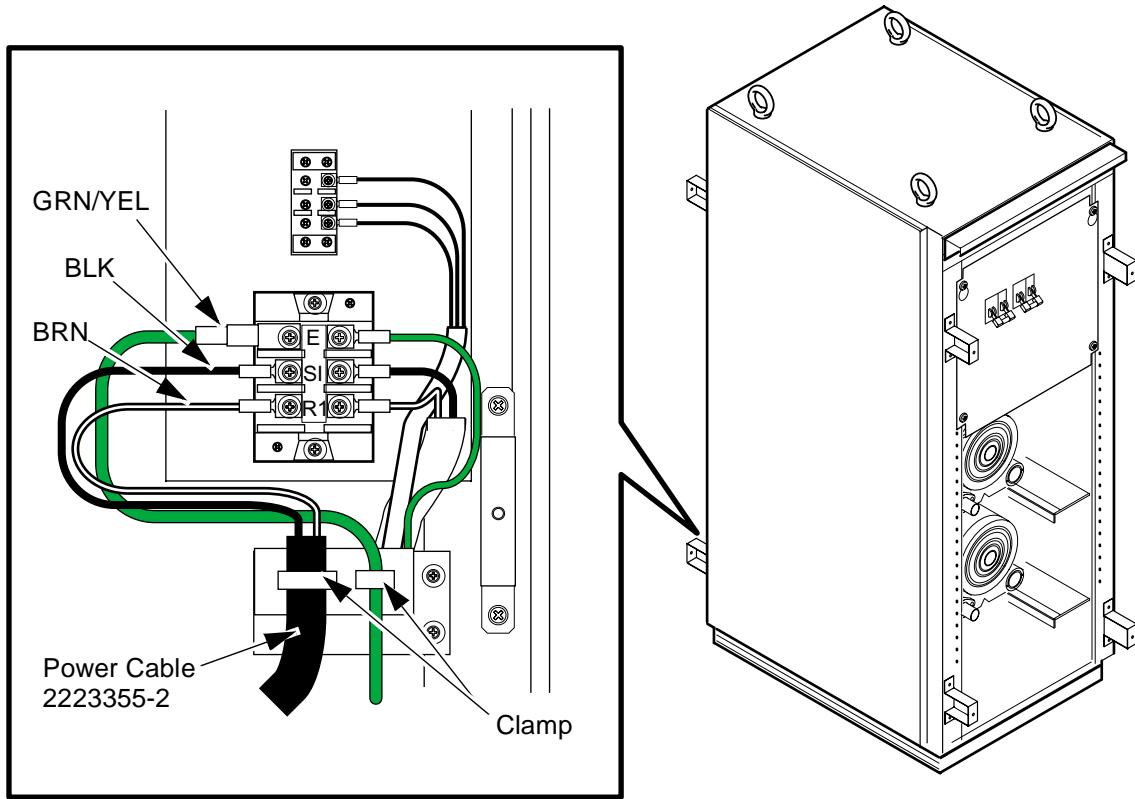
1. Remove the front and rear cover by loosening 4 screws for each side.



FRONT AND REAR COVER REMOVAL
ILLUSTRATION 1-2

3. Cables Connection

1. Connect the each terminals to rear terminal as shown.
2. Fix the each cables to cable base with clamps.



View from rear side

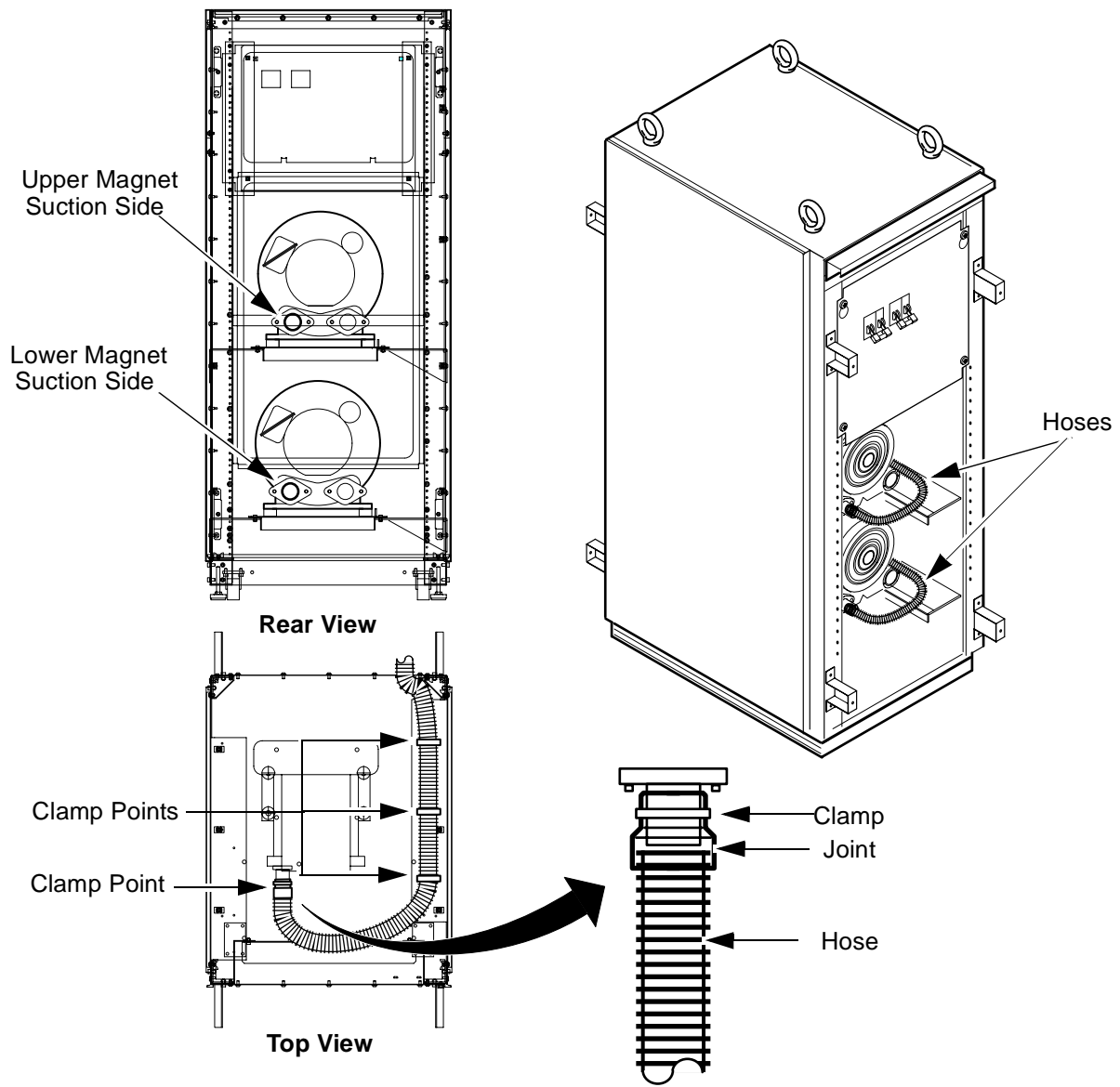
**CABLES CONNECTION
ILLUSTRATION 1-3**

4. Hoses Connection

1. Attach the joint to hose end for each side.
2. Route the upper and lower hoses.(Refer to top view)
3. Fix the hoses with 4 clamps for each side.

NOTE:

Joint the hose of upper motor to upper magnet side in scan room.
 Joint the hose of lower motor to lower magnet side.
 Mark the hose end of upper side with tape.

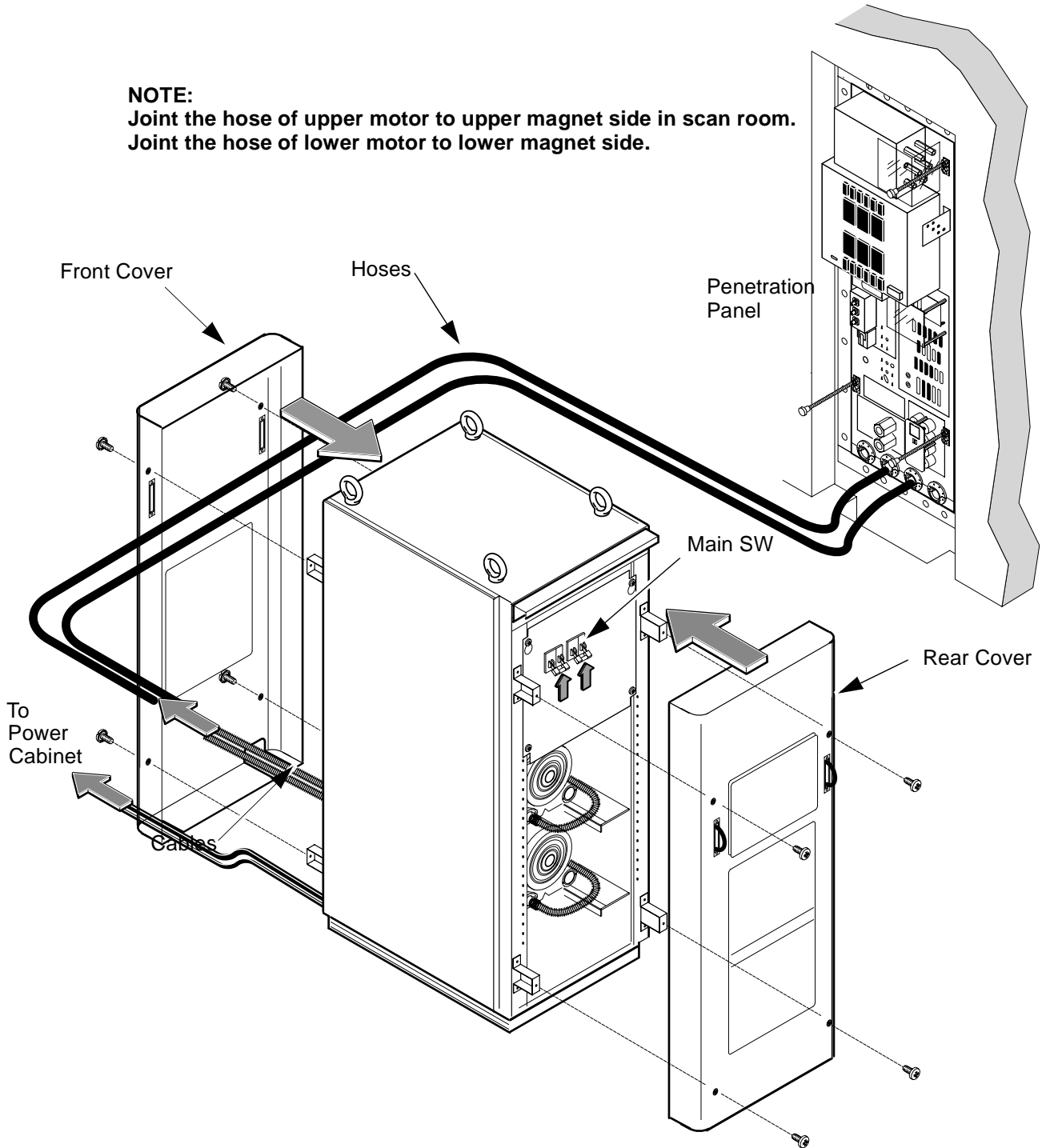


**HOSES CONNECTION
 ILLUSTRATION 1-4**

5. Restoration

1. Check that the main switches is power ON.
2. Install the front and rear cover by tightening 4 screws for each side.
3. Connect the hoses to penetration panel.

NOTE:
 Joint the hose of upper motor to upper magnet side in scan room.
 Joint the hose of lower motor to lower magnet side.



**RESTORATION
 ILLUSTRATION 1-5**