

Rev 1

# TABLE OF CONTENTS

TABLE OF CONTENTS.....	1
1- Overview .....	2
2- Procedure .....	2

Rev 1

## 1. Overview

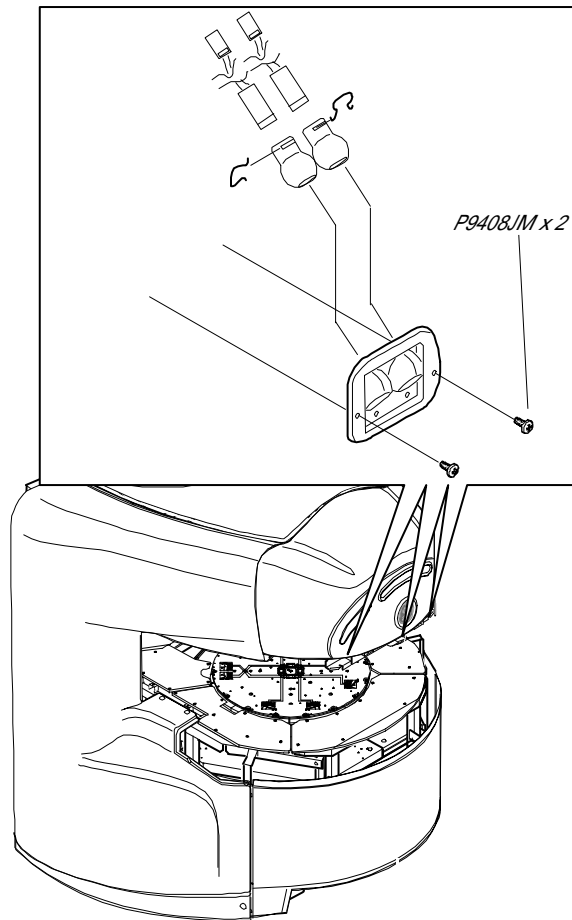
This procedure describes how to install laser light

## 2. Procedure

1. Turn SSM Breaker OFF at Power Cabinet PDU.
2. Install two Laser Light with two screws at left, right, and center position. See Illustration 1.

### Note

It is not necessary to install laser light covers.



ILL EXAMPLE  
ILLUSTRATION 1

Rev 1

**Revision History**

<b>Rev</b>	<b>Date</b>	<b>Author</b>	<b>Primary Reasons For Change</b>
0	Mar 23, 2001	Y. Masumo	Initial Version
1	May 18, 2001	Y. Masumo	Misc Correction