

g

R4503K

Signa® Ovation MR System Main Disconnect Panel with Temperature Control Unit auto restart

Applications

The Signa® Ovation System Main Disconnect Panel provides complete power distribution and emergency off control for the MR power distribution unit (PDU), and Temperature Control Unit (TCU). PDU system components are protected from power abnormalities associated with electrical storms by undervoltage release on loss of power. The auto restart feature automatically restores power to the TCU after return of normal power following all power outages or power interruptions due to Auto Transfer Switch (ATS) transfers. The PDU and TCU are disconnected during emergency off operation in compliance with the NEC. Two remote emergency off pushbuttons are included which provide total system shut down of all power. The System Main Disconnect Panel provides a uniform platform for pre-engineered uninterruptible power options. Individual circuit breakers disconnect the PDU, TCU totally isolating each circuit for lockout and servicing. Power failure indication contacts are provided for integration with building automation system or alarm system. The completely factory assembled control panel contains all the required components for interlocking with HVAC and building alarm systems. The Signa® Ovation System Main Disconnect Panel is UL, cUL and CE Labeled for 480Y277 60Hz, or 400Y230 volt, 50/60 Hz five wire systems.

Standard Applications

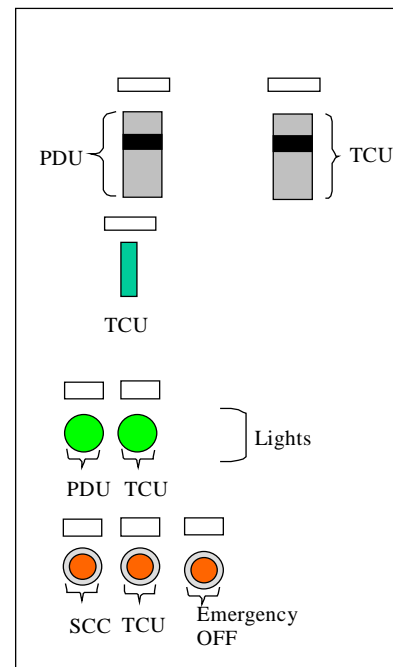
Signa® Ovation installations

Benefits

- Magnet is ready to scan sooner after power disruptions associated with storms, utility reclosure operations or power outages of two days by providing automatic restoration of power to the TCU.
- Auto restarting TCU heaters prevent magnet quenching, reducing costs and increasing up time.
- Panel design incorporates an adjustable time delay on power restoration to prevent restart of system until power has stabilized.
- The power up time delay prevents damage, which results from out of phase automatic transfer switch operations.
- Auto restarting temperature control unit enables auto restart of magnet heaters maintaining magnet optimum operating temperature.
- Standardized design provides for pre-engineered system modifications such as an uninterruptible power supply.
- Developed and approved by GE Medical Systems.
- Reduces installation time and cost by providing a pre-engineered and tested system, eliminating the need to mount and wire a number of individual components.
- Eliminates the sourcing and delivery delays associated with obtaining multiple components from a variety of suppliers.

- Uniform factory design eliminates individual project engineering costs, and delays of on site fabrication of custom panels. Standardized design and testing assures high product quality and system reliability.
- Single panel provides for a more attractive, color coordinated installation.
- UL and cUL listed, labeled, tested, minimizing inspection and acceptance issues. The TCU circuit is listed to UL 2601.
- Customized wiring diagrams for ease of installation.

Main Disconnect Panel Cover



g

R4503K

Signa[®] Ovation MR System Main Disconnect Panel with Temperature Control Unit auto restart

Features:

- Single enclosed panel with custom wiring diagrams for all system configurations.
- UL and cUL listed and conforms to National Electric Code.
- Pre-configured for single point power source.
- Re-configurable during installation for dual feeds of PDU power from normal building power and temperature control unit from an essential power source.
- Includes auto restart warning labels for TCU.
- Panel design incorporates an adjustable time delay on all power restoration to prevent restart of TCU until power has stabilized.
- The power up time delay prevents damage, which results from out of phase automatic transfer switch operations.
- DC Control circuit and long life battery maintains auto restart capability for at least 48 hours.
- Each system includes two remote EMERGENCY OFF wall buttons and stainless steel wallplates.
- Low voltage, 120-volt controls for emergency off and power on pushbuttons.
- Panel cover mounted emergency off pushbutton.
- Provisions for integration of optional emergency OFF devices such as the halon or water detector systems.
- Battery charger powers Emergency Off function and maintains battery charge.
- Includes labels for dual power source identification.
- 25,000 AIC rated utilizing solid state circuit breakers with adjustable instantaneous trips and current limiting fuses to provide branch overcurrent protection and serve as a lock out disconnection means.
- System power is restored after emergency shutdown via panel cover mounted POWER ON pushbutton.
- 100,000-hour LED pilot lights indicate power to the PDU and TCU.
- Air conditioning or HVAC system isolated interlock contacts for emergency shutdown are safely initiated via the use of the low-voltage emergency control circuit. Normal manual ON/OFF operations of the PDU disconnect device does not affect the HVAC interlock system.
- Additional AUTO RESTART warning labels provided for installation on the remote TCU.
- Provisions for additional field installed auxiliary contacts for special applications.
- Isolated neutral assembly.

- Each circuit breaker has provisions for padlocking the device in the OFF position for OSHA lockout tag out servicing safety.
- Completely assembled and tested.
- Enclosure paint is color coordinated to the MR System.
- All devices are selected for high reliability and long life.
- Shipped complete for surface mounting.
- Includes an Operation and Installation Manual.
- Isolated FORM C, NO/NC contact indicates Emergency Off operation for remote indication.
- Two isolated NO contacts open on any loss of AC power for remote indication.
- Custom tailored for Signa[®] Ovation System requirements.

Products

GE's "Ovation MDC", System Main Disconnect Panel for Signa[®] Ovation MR Systems: 480Y/277 VAC, 400Y/230 VAC, 50/60 Hz, Surface or Semi-Flush mounted enclosure with 2 remote emergency off pushbuttons. Does not include UPS.

Contact GE Supply 1-800-200-9760 for prices or additional information.

Physical Specifications

Height: 54"

Width: 20"

Depth: 8.25"

Weight:.

Door Swing Radius:

g

R4503K

Signa[®] Ovation MR System Main Disconnect Panel

with Temperature Control Unit auto restart

Ordering

Hospitals, contractors, consultants or GE employees may order by purchase order or credit card from GE Supply Medical Direct, 1-888-966-5125.

Internal orders must be ordered by GE Medical IS or FE through their local customer team operation person. GEMS Order must generate a 239... PO to GE Supply vendor code 874801 for the panel.

Panel is non stock with shipment 2 weeks after order.

Subject: GE Medical Non Listed products, NOT Yet Listed RCATs Products, or GE Supply (GES#) products.

This is the process, which a customer or GEMS person can order Power Panel Products that have are in the listing process, are special or are for other special applications.

For Customers:

To order GE products which are not listed catalog products or are in the process of being listed, a customer should contact Joel Johnson at the GE Supply, Med Direct Line 1-888-966-5125 or 1-800-200-9760 for pricing and ordering.

The GE Supply Med direct address is GE Supply \ Med Direct, Attn: Joel Johnson, 9100 Purdue Rd., Indianapolis, Indiana (IN), 46268.

Their Fax number is 317-554-3795.

Normal hours of operation are Central Time zone 7:30 AM to 4:30 PM.

Credit Card sales can be processed using GE Supply process listed above.

GEMS internal sales:

Obtain price from Dwight Gilbert or Joe Kruswicki at GE Supply Milwaukee phone 414-527-6600.

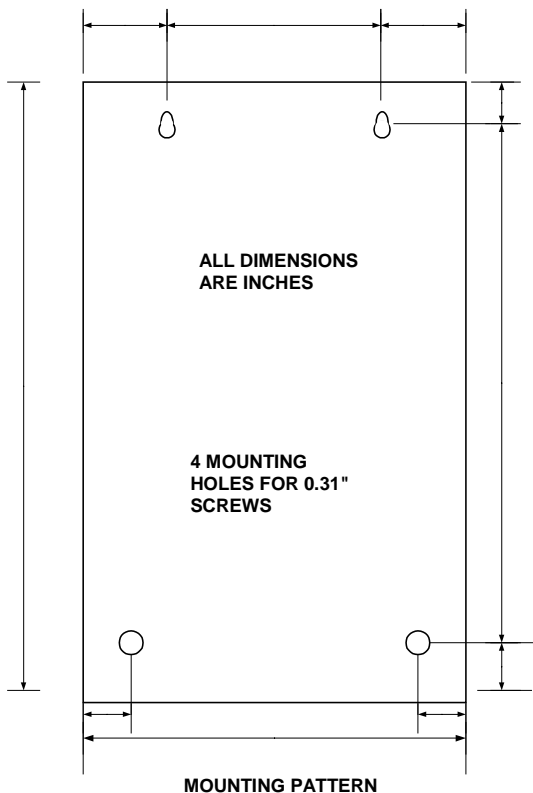
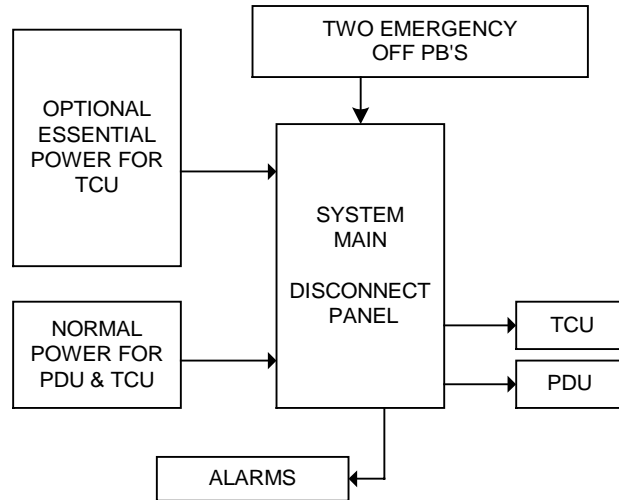
GE Field Engineers, installation Specialists or GEMS people can obtain order from customer and have order routed through their local LCT operations person. The LCT person issues a PO (239.....) to GE Supply Milwaukee Phone 414-527-6600, Fax 414-527-6652, 12221 West Feerick Street, Milwaukee, WI 53222, GE Supply vendor #874801.

If the power panel is part of the FDO a 239... PO must be issued to GE Supply, Milwaukee vendor code 874801.

g

R4503K

Signa[®] Ovation MR System Main Disconnect Panel with Temperature Control Unit auto restart



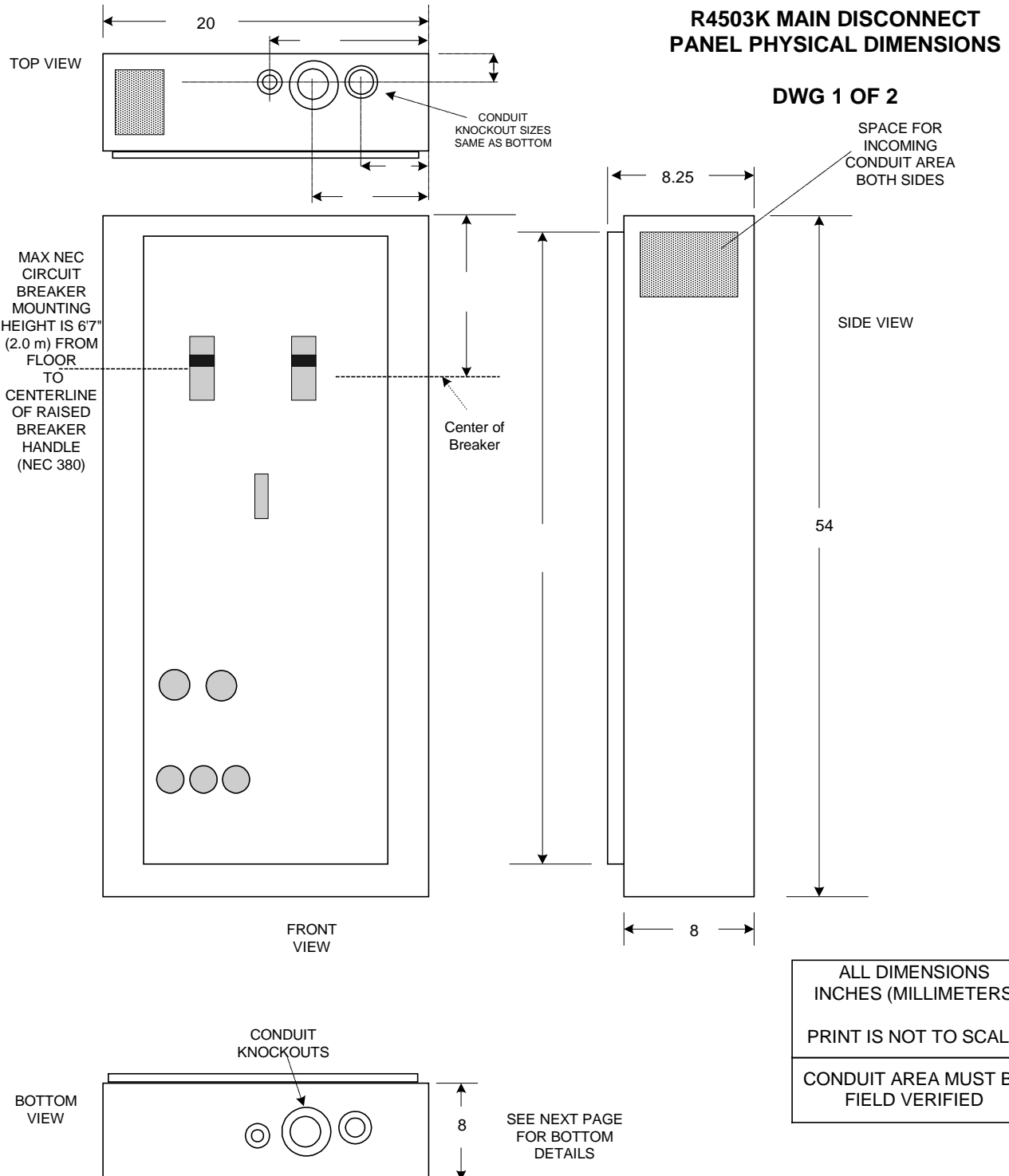
Mounting Dimensions
Interior View

- Incoming conduits must enter from left side of top or upper 6" of left side of box. Upper 6" of right side may be used by rotating main termination block. Incoming conduits may not enter from bottom.
- All load conduits must exit from the bottom.

g

R4503K

Signa[®] Ovation MR System Main Disconnect Panel with Temperature Control Unit auto restart





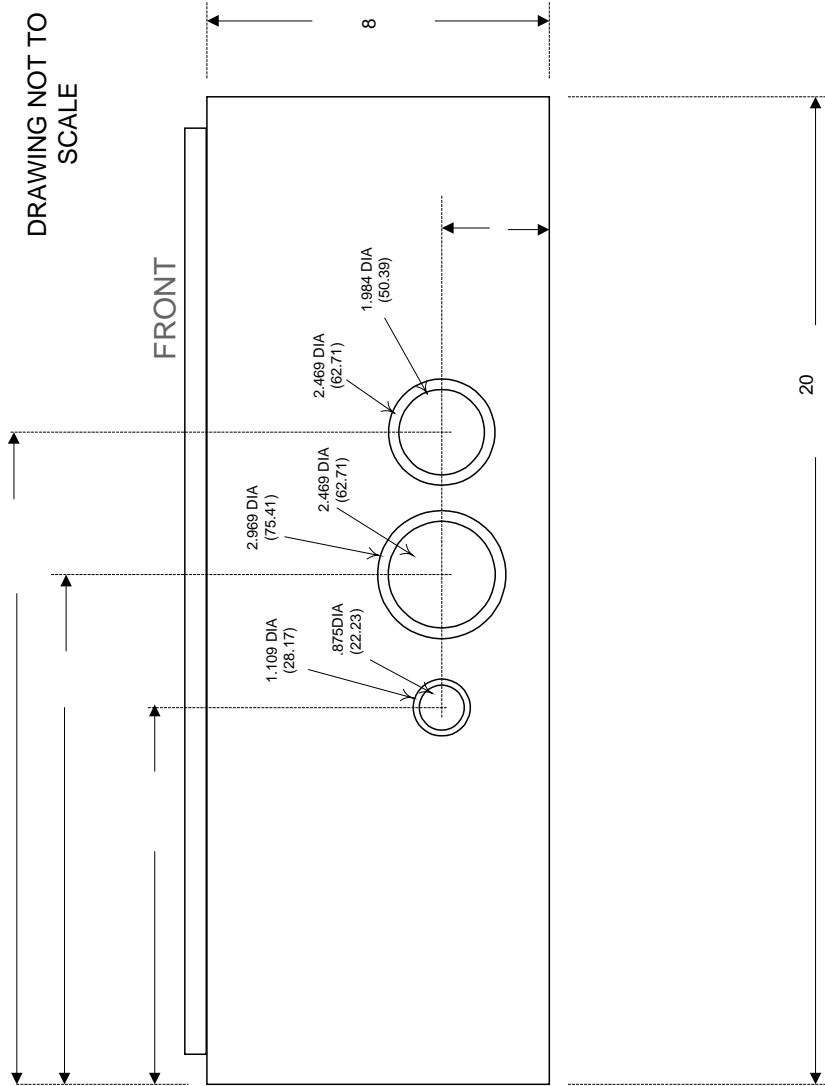
R4503K

Signa[®] Ovation MR System Main Disconnect Panel with Temperature Control Unit auto restart

ALL DIMENSIONS
ARE INCHES
(MILLIMETERS)

DRAWING NOT TO
SCALE

DWG 2 OF 2
BOTTOM VIEW



R4503K OVATION MAIN DISCONNECT PANEL
DIMENSIONAL DRAWING