

SERVICE NOTES

Oct 23th, 2002

Page 1 of 1

FILE TITLE

Signa Ovation System

SN62713

Signa Ovation Body Coil Cooling Duct Taping

Overview:

It is necessary to attach the tape on duct and body coil to avoid the air leakage.

However, Service Document does not describe it. This document describes how to attach the tapes.

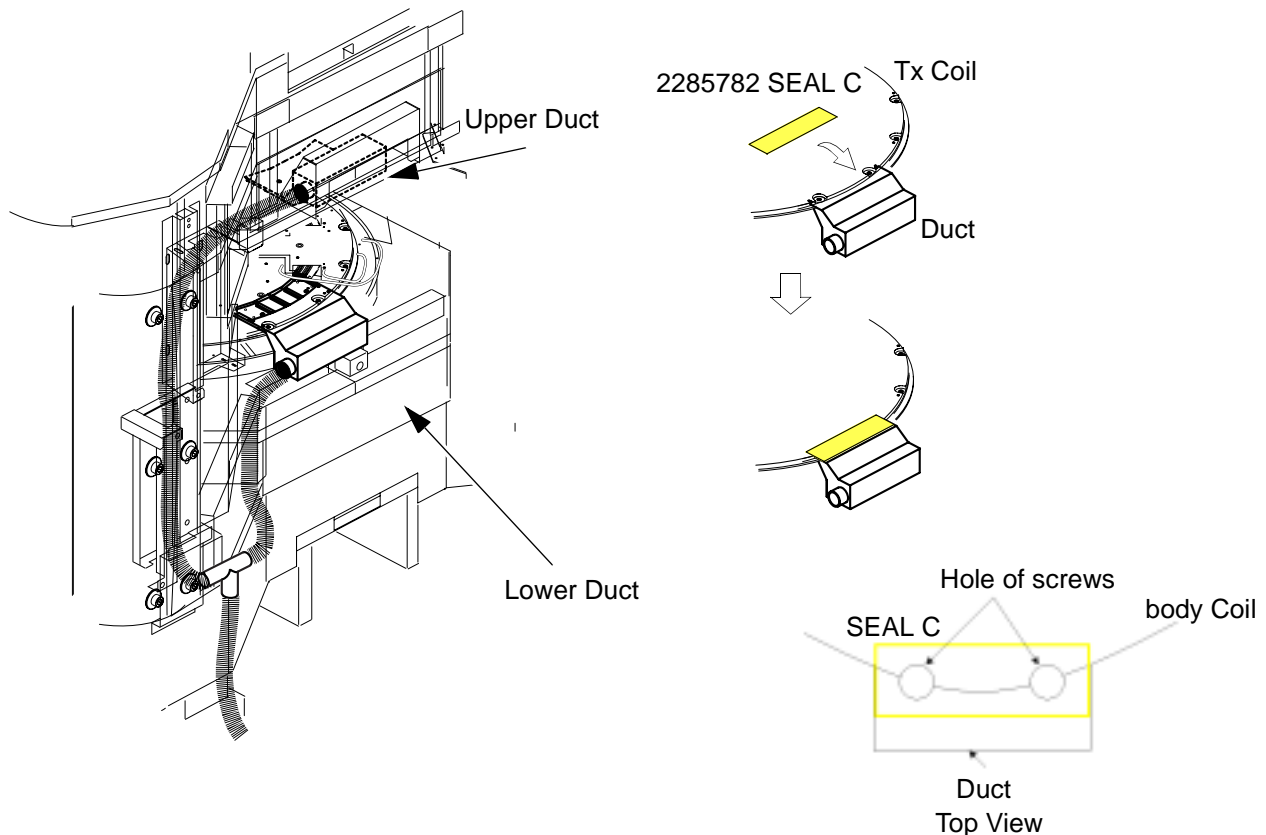
Procedure:

After duct is installed to the Magnet, attach the tape(2285782 SEAL C) between body coil and duct to seal the holes of screws according to the illustration. Perform it for upper and lower duct. Order the tape(2285782 SEAL C) if you cannot find the parts at site.

Note

SEAL C(2285782) is included in the Body Coil Kit.

The color of seal is yellow.



DUCT INSTALLATION
ILLUSTRATION 1

Yutaka Masumo
GEYMS TP Gr. -MR