

MFO3 Introduction

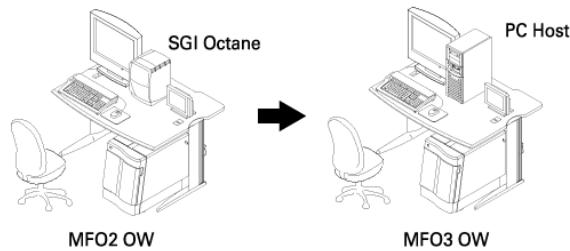
Overview:

Signa Ovation3 is introduced from FW41, 2002.

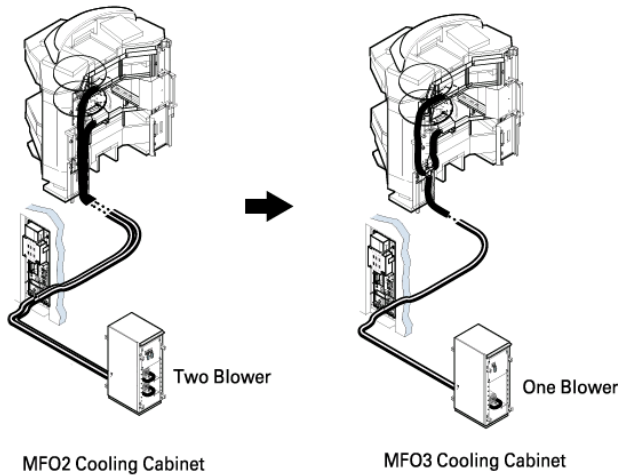
Refer to the illustration1 to understand the the major differential of MFO2 and MFO3 system.

MFO3 schematics and cable list are attached with this SV Note.

Operator WorkSpace



Cooling Cabinet



Software

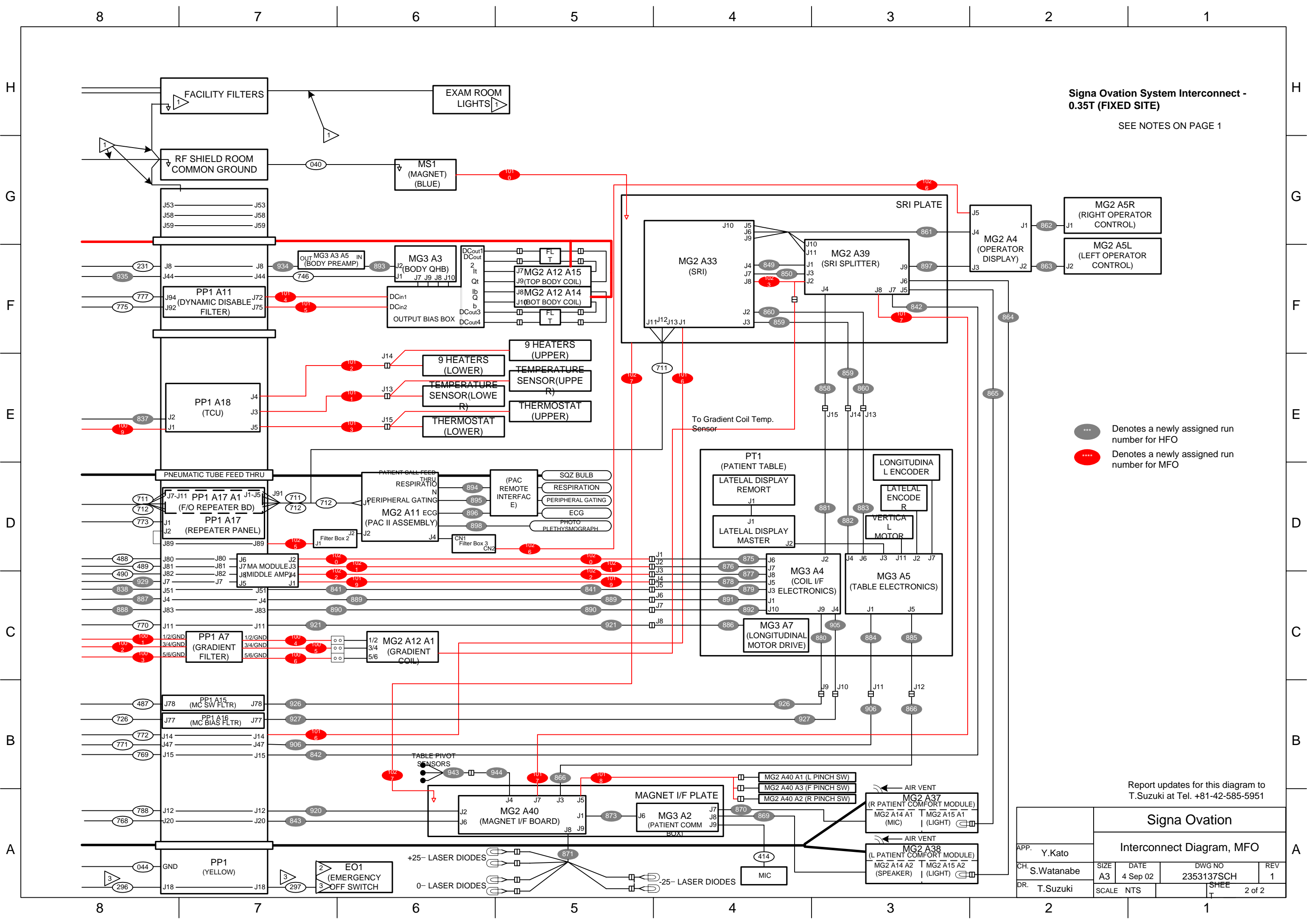
| MFO2 Software | MFO3 Software |
|---|--|
| SIGNA HORIZON LX IRIX OS OCTANE CDS SIGNA HORIZON LX IRIX VCR/PRINTER OPTIONS APP S/W FOR MFO II M4 MFO2 M4 PATCH MR0008 | GEYMS Linux OS Application Software |

SIGNA OVATION3
Illustration 1

Yutaka Masumo
GEYMS TP Gr. -MR

Signa Ovation System Interconnect - 0.35T (FIXED SITE)

SEE NOTES ON PAGE 1



● Denotes a newly assigned run number for HFO
 ● Denotes a newly assigned run number for MFO

Report updates for this diagram to
 T.Suzuki at Tel. +81-42-585-5951

| | | | | |
|----------------------------------|-----------|---------------|-------------------|-------|
| Signa Ovation | | | | |
| Interconnect Diagram, MFO | | | | |
| APP. Y.Kato | SIZE A3 | DATE 4 Sep 02 | DWG NO 2353137SCH | REV 1 |
| CH. S.Watanabe | SCALE NTS | SHEET 2 of 2 | | |
| DR. T.Suzuki | | | | |

Signa Ovation System Interconnect - 0.35T (FIXED SITE)

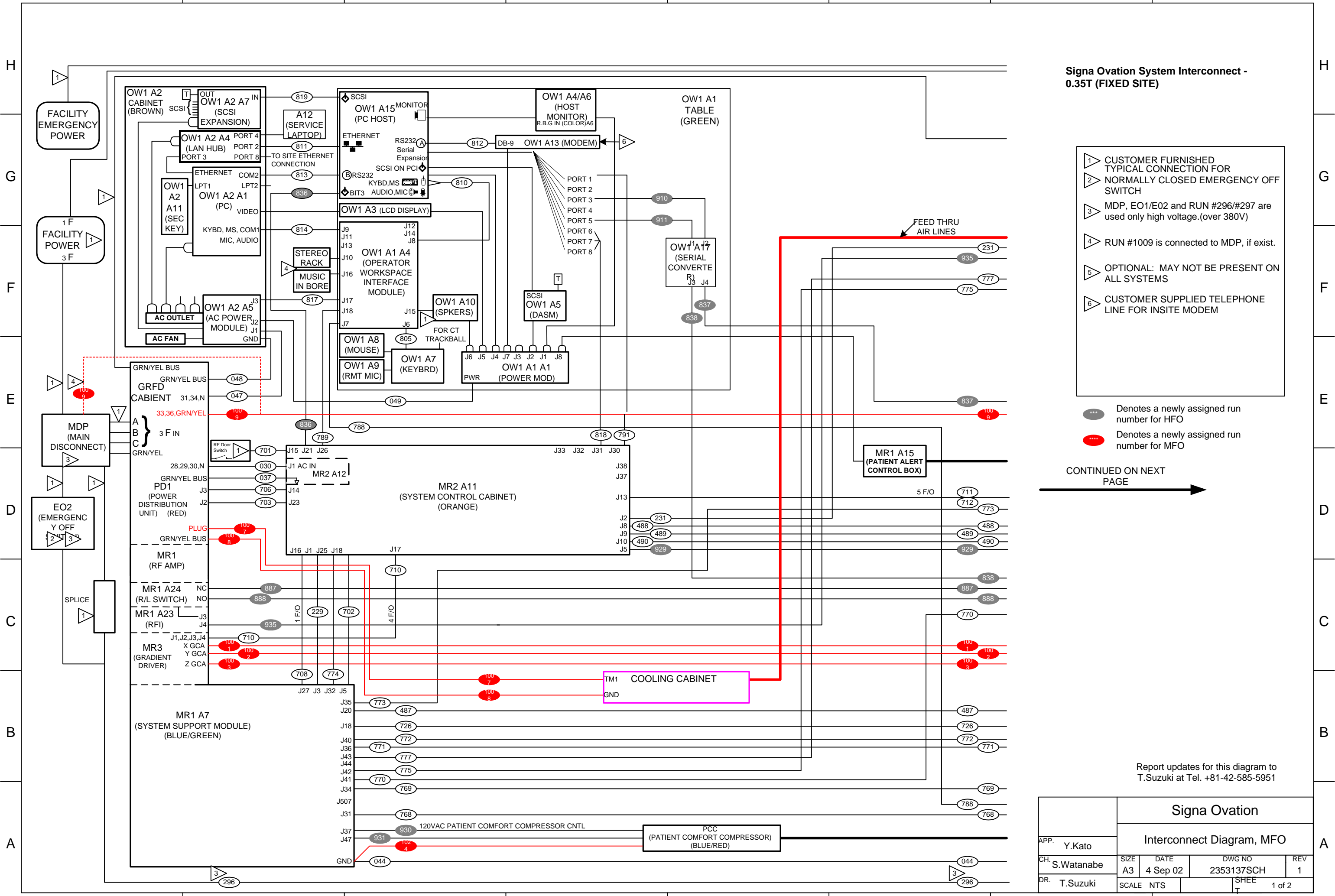
- 1 CUSTOMER FURNISHED TYPICAL CONNECTION FOR
- 2 NORMALLY CLOSED EMERGENCY OFF SWITCH
- 3 MDP, EO1/EO2 and RUN #296/#297 are used only high voltage.(over 380V)
- 4 RUN #1009 is connected to MDP, if exist.
- 5 OPTIONAL: MAY NOT BE PRESENT ON ALL SYSTEMS
- 6 CUSTOMER SUPPLIED TELEPHONE LINE FOR INSITE MODEM

... Denotes a newly assigned run number for HFO
 Denotes a newly assigned run number for MFO

CONTINUED ON NEXT PAGE

Report updates for this diagram to T.Suzuki at Tel. +81-42-585-5951

| | | | | |
|----------------------------------|-----------|---------------|-------------------|-------|
| Signa Ovation | | | | |
| Interconnect Diagram, MFO | | | | |
| APP. Y.Kato | SIZE A3 | DATE 4 Sep 02 | DWG NO 2353137SCH | REV 1 |
| CH. S.Watanabe | SCALE NTS | SHEET 1 of 2 | | |
| DR. T.Suzuki | | | | |



| Run | GE Part Number | Source Subsystem | Source Assembly | Source Connection | Destination Subsystem | Destination Assembly | Destination Connection |
|-----------|----------------|-------------------------|-----------------------------|-------------------|-----------------------|-----------------------------|------------------------|
| 030M | 46-271364G517 | System Cabinet | Power Panel | J1 | Power Cabinet | Power Distribution Unit | 28,29,30,N |
| 037T | 46-255947G607 | System Cabinet | Power Panel | GND | Power Cabinet | Power Distribution Unit | GRN/YEL BUS |
| 040 | 2103427 | Magnet | Magnet | GND | | | GND Stud |
| 044 | 46-255947G9 | Penetration Panel | Penetration Panel | GND | Power Cabinet | System Support Module | GND |
| 047 | 46-307832P4 | Operator Workspace | Power | J1 | Power Cabinet | Power Distribution Unit | 31,34,N |
| 048 | 46-255947G11 | Operator Workspace | Power | GND | Power Cabinet | Power Distribution Unit | GRN/YEL |
| 049 | 46-307829P1 | Operator Workspace | Power | J2 | Operator Workspace | Power Module | PWR |
| 229 | 46-301125G98 | System Cabinet | System Control Cabinet | J1 | Power Cabinet | System Support Module | J3 |
| 231 | 46-301125G100 | System Cabinet | System Control Cabinet | J2 | Penetration Panel | Penetration Panel | J8 |
| 296 | 46-271692G601 | Penetration Panel | Penetration Panel | J18 | Main Disconnect Panel | Main Disconnect Panel | |
| 297 | 46-271693G1 | Emergency Cutoff Switch | Emergency Cutoff Switch in | | Penetration Panel | Penetration Panel | J18 |
| 414 | 46-317157G3 | | | MIC | Magnet Enclosure | Patient Communication Box | J9 |
| 487 | 46-301125G764 | Power Cabinet | System Support Module | J20 | Penetration Panel | Multi-coil Switching Filter | J78 |
| 488 | 46-301125G765 | System Cabinet | System Control Cabinet | J8 | Penetration Panel | Penetration Panel | J80 |
| 489 | 46-301125G766 | System Cabinet | System Control Cabinet | J9 | Penetration Panel | Penetration Panel | J81 |
| 490 | 46-301125G767 | System Cabinet | System Control Cabinet | J10 | Penetration Panel | Penetration Panel | J82 |
| 701 | 46-301125G807 | System Cabinet | System Control Cabinet | J15 | | | RF Door Switch |
| 702 | 46-258431G810 | System Cabinet | System Control Cabinet | J18 | Power Cabinet | System Support Module | J5 |
| 703 | 46-258431G809 | System Cabinet | System Control Cabinet | J23 | Power Cabinet | Power Distribution Unit | J2 |
| 706 | 46-258431G808 | System Cabinet | System Control Cabinet | J14 | Power Cabinet | Power Distribution Unit | J3 |
| 708 | 46-317076G602 | System Cabinet | System Control Cabinet | J16 | Power Cabinet | System Support Module | J27 |
| 710 | 46-317085G603 | Power Cabinet | Gradient Driver | J2 | System Cabinet | System Control Cabinet | J17 |
| 711 | 46-328079G9 | Penetration Panel | F/O Repeater Panel | J91 | Magnet Enclosure | Scan Room Interface (SRI) | J11 |
| 711 | 46-328079G9 | Penetration Panel | F/O Repeater Panel | J91 | Magnet Enclosure | Scan Room Interface (SRI) | J13 |
| 711 | 46-328079G9 | Penetration Panel | F/O Repeater Panel | J91 | Magnet Enclosure | Scan Room Interface (SRI) | J12 |
| 711M/712M | 46-328079G9 | Penetration Panel | F/O Repeater Board | J1 | Penetration Panel | F/O Repeater Panel | J91 |
| 711M/712M | 46-328079G9 | Penetration Panel | F/O Repeater Board | J2 | Penetration Panel | F/O Repeater Panel | J91 |
| 711M/712M | 46-328079G9 | Penetration Panel | F/O Repeater Board | J3 | Penetration Panel | F/O Repeater Panel | J91 |
| 711M/712M | 46-328079G9 | Penetration Panel | F/O Repeater Board | J5 | Penetration Panel | F/O Repeater Panel | J91 |
| 711M/712M | 46-328079G9 | Penetration Panel | F/O Repeater Board | J4 | Penetration Panel | F/O Repeater Panel | J91 |
| 711V/712V | 46-328078G5 | System Cabinet | System Control Cabinet | J13 | Penetration Panel | F/O Repeater Board | J7 |
| 711V/712V | 46-328078G5 | System Cabinet | System Control Cabinet | J13 | Penetration Panel | F/O Repeater Board | J8 |
| 711V/712V | 46-328078G5 | System Cabinet | System Control Cabinet | J13 | Penetration Panel | F/O Repeater Board | J9 |
| 711V/712V | 46-328078G5 | System Cabinet | System Control Cabinet | J13 | Penetration Panel | F/O Repeater Board | J10 |
| 711V/712V | 46-328078G5 | System Cabinet | System Control Cabinet | J13 | Penetration Panel | F/O Repeater Board | J11 |
| 712 | 46-328079G9 | Penetration Panel | F/O Repeater Panel | J91 | Magnet Enclosure | Physiological Acquisition C | J1 |
| 726 | 46-301125G831 | Penetration Panel | Multi-coil Bias Filter (G2) | J77 | Power Cabinet | System Support Module | J18 |
| | | | | | | | |
| 746 | 2352605 | Penetration Panel | Penetration Panel | J44 | | | Run 912 |

| Run | GE Part Number | Source Subsystem | Source Assembly | Source Connection | Destination Subsystem | Destination Assembly | Destination Connection |
|-------|----------------|--------------------|---------------------------|-----------------------|-----------------------|---------------------------|------------------------|
| 768TR | 46-328000G902 | Penetration Panel | Penetration Panel | J20 | Power Cabinet | System Support Module | J31 |
| 769 | 46-328000G903 | Penetration Panel | Penetration Panel | J15 | Power Cabinet | System Support Module | J34 |
| 770 | 46-328000G904 | Penetration Panel | Penetration Panel | J11 | Power Cabinet | System Support Module | J41 |
| 771 | 46-328000G905 | Penetration Panel | Penetration Panel | J47 | Power Cabinet | System Support Module | J36 |
| 772 | 46-328000G906 | Penetration Panel | Penetration Panel | J14 | Power Cabinet | System Support Module | J40 |
| 773 | 46-328000G907 | Penetration Panel | F/O Repeater Panel | J1 | Power Cabinet | System Support Module | J35 |
| 774M | 46-258431G908 | System Cabinet | System Control Cabinet | J25 | Power Cabinet | System Support Module | J32 |
| 775 | 46-328000G915 | Power Cabinet | System Support Module | J42 | Penetration Panel | Dynamic Disable and Induc | J92 |
| 777 | 46-328000G913 | Power Cabinet | System Support Module | J43 | Penetration Panel | Dynamic Disable and Induc | J94 |
| 788 | 46-328000G937 | Penetration Panel | Penetration Panel | J12 | Operator Workspace | Workspace Interface Modul | J7 |
| 789 | 46-328000G938 | System Cabinet | System Control Cabinet | J26 | Operator Workspace | Workspace Interface Modul | J18 |
| 791 | 46-328000G939 | System Cabinet | System Control Cabinet | J30 | Operator Workspace | SCSI Serial Expansion | Port 1 |
| 805 | 2114561-38 | Operator Workspace | Workspace Interface Modul | J6 | Operator Workspace | Keyboard Assembly | |
| | | | | | | | |
| 810 | 2141980-2 | Operator Workspace | Workspace Interface Modul | J8 | Operator Workspace | SGI Octane Computer | KYBD, MS |
| 811 | 2153396-3 | Operator Workspace | Local Area Network HUB | PORT 2 | Operator Workspace | SGI Octane Computer | ETHERNET |
| 812 | 2188746 | Operator Workspace | SGI Octane Computer | Serial Port 1 (RS232) | Operator Workspace | Modem | DB-9 |
| 813 | 2188747 | Operator Workspace | Personal Computer | COM 2 | Operator Workspace | SGI Octane Computer | Serial Port 2 (RS232) |
| 814 | 2196990 | Operator Workspace | Personal Computer | Keyboard, Mouse, CO | Operator Workspace | Workspace Interface Modul | J9 |
| | | | | | | | |
| 817 | 46-328000G958 | Operator Workspace | Power | J3 | Operator Workspace | Workspace Interface Modul | J17 |
| 818 | 2198993 | System Cabinet | System Control Cabinet | J31 | Operator Workspace | SCSI Serial Expansion | Ports 6, 7, 8 |
| 819 | 2198995 | Operator Workspace | SCSI Expansion Box | IN | Operator Workspace | SGI Octane Computer | SCSI |
| | | | | | | | |
| | | | | | | | |
| 836 | 2241052 | Operator Workspace | PC Host Computer | BIT3 | System Cabinet | System Control Cabinet | J21 |
| 837 | 2263200 | Operator Workspace | Serial Converter | J4 | Penetration Panel | TCU | J2 |
| 838 | 2263200-2 | Operator Workspace | Serial Converter | J3 | Penetration Panel | Penetration Panel | J51 |
| 841 | 2263200-3 | Penetration Panel | Penetration Panel | J51 | Patient Table | Patient Table | J5 |
| 842 | 2263200-4 | Penetration Panel | Penetration Panel | J15 | Magnet Enclosure | SRI Splitter | J7 |
| 843 | 2260535 | Penetration Panel | Penetration Panel | J20 | Magnet Enclosure | Magnet Interface Board | J6 |
| 849 | 2263200-5 | Magnet Enclosure | Scan Room Interface (SRI) | J4 | Magnet Enclosure | SRI Splitter | J1 |
| 850 | 2263200-6 | Magnet Enclosure | Scan Room Interface (SRI) | J7 | Magnet Enclosure | SRI Splitter | J3 |
| 858 | 2263200-9 | Magnet Enclosure | SRI Splitter | J4 | Patient Table | Patient Table | J15 |
| 859 | 2263200-10 | Magnet Enclosure | Scan Room Interface (SRI) | J3 | Patient Table | Patient Table | J14 |
| 860 | 2263200-11 | Magnet Enclosure | Scan Room Interface (SRI) | J2 | Patient Table | Patient Table | J13 |
| 861 | 2221947 | Magnet Enclosure | Operator Display | J4 | Magnet Enclosure | Scan Room Interface (SRI) | J5 |
| 861 | 2221947 | Magnet Enclosure | Operator Display | J4 | Magnet Enclosure | SRI Splitter | J10 |
| 861 | 2221947 | Magnet Enclosure | Operator Display | J4 | Magnet Enclosure | SRI Splitter | J11 |

| Run | GE Part Number | Source Subsystem | Source Assembly | Source Connection | Destination Subsystem | Destination Assembly | Destination Connection |
|-----|-----------------|--------------------|-----------------------------|----------------------|-----------------------|----------------------------|------------------------|
| 861 | 2221947 | Magnet Enclosure | Operator Display | J4 | Magnet Enclosure | Scan Room Interface (SRI) | J9 |
| 861 | 2221947 | Magnet Enclosure | Operator Display | J4 | Magnet Enclosure | Scan Room Interface (SRI) | J6 |
| 862 | 2221946 | Magnet Enclosure | Operator Display | J1 | Magnet Enclosure | Operator Control (Right) | J1 |
| 863 | 2221946 | Magnet Enclosure | Operator Display | J2 | Magnet Enclosure | Operator Control (Left) | J2 |
| 864 | 2261328 | Magnet Enclosure | SRI Splitter | J6 | Magnet Enclosure | Bore Light (Left) | |
| 865 | 2261328 | Magnet Enclosure | SRI Splitter | J5 | Magnet Enclosure | Bore Light (Right) | |
| 866 | 2263200-12 | Patient Table | Patient Table | J12 | Magnet Enclosure | Magnet Interface Board | J3 |
| 869 | 46-317252G4 (ch | Magnet Enclosure | Patient Comfort Module Sp | N/A | Magnet Enclosure | Patient Communication Box | J8 |
| 870 | 46-317157G6 | Magnet Enclosure | Patient Comfort Module Mic | N/A | Magnet Enclosure | Patient Communication Box | J7 |
| 871 | 2261329 | | | Laser Diodes | Magnet Enclosure | Magnet Interface Board | J8 |
| 873 | 2263200-13 | Magnet Enclosure | Patient Communication Box | J6 | Magnet Enclosure | Magnet Interface Board | J1 |
| 875 | 46-317220P19 | Patient Table | Patient Table | J1 | Patient Table | Coil I/F Electronics | J6 |
| 876 | 46-317220P20 | Patient Table | Patient Table | J2 | Patient Table | Coil I/F Electronics | J7 |
| 877 | 46-317220P21 | Patient Table | Patient Table | J3 | Patient Table | Coil I/F Electronics | J8 |
| 878 | 46-317220P22 | Patient Table | Patient Table | J4 | Patient Table | Coil I/F Electronics | J5 |
| 879 | 2262695 | Patient Table | Patient Table | J5 | Patient Table | Coil I/F Electronics | J3 |
| 880 | 2262694-2 | Patient Table | Patient Table | J9 | Patient Table | Coil I/F Electronics | J9 |
| 881 | 2262696 | Patient Table | Patient Table | J15 | Patient Table | Coil I/F Electronics | J2 |
| 882 | | Patient Table | Patient Table | J14 | Patient Table | Limit Switches and Encoder | J4 |
| 883 | | Patient Table | Patient Table | J13 | Patient Table | Limit Switches and Encoder | J6 |
| 884 | | Patient Table | Patient Table | J11 | Patient Table | Limit Switches and Encoder | J1 |
| 885 | | Patient Table | Patient Table | J12 | Patient Table | Limit Switches and Encoder | J5 |
| 886 | | Patient Table | Patient Table | J8 | Patient Table | Longitudal Motor Drive | N/A |
| 887 | 2352606 | Power Cabinet | Right/Left | NC | Penetration Panel | Penetration Panel | J4 |
| 888 | 2352607 | Power Cabinet | Right/Left Switch | NO | Penetration Panel | Penetration Panel | J83 |
| 889 | 2352606 | Patient Table | Patient Table | J6 | Penetration Panel | Penetration Panel | J4 |
| 890 | 2352607 | Patient Table | Patient Table | J7 | Penetration Panel | Penetration Panel | J83 |
| 891 | 46-320888G3 | Patient Table | Patient Table | J6 | Patient Table | Coil I/F Electronics | J1 |
| 892 | 46-320888G4 | Patient Table | Patient Table | J7 | Patient Table | Coil I/F Electronics | J10 |
| 893 | 46-282352G2 | Magnet Enclosure | Body Quadrature Hybrid As | J2 | Magnet Enclosure | Body Coil Preamplifier | IN |
| 894 | 46-317758P18 | Magnet Enclosure | Physiological Acquisition C | Respiration | | | Respiration |
| 895 | 2219097 | Magnet Enclosure | Physiological Acquisition C | Peripheral Gating | | | Peripheral Gating |
| 896 | 2219096 | Magnet Enclosure | Physiological Acquisition C | ECG | | | ECG |
| 897 | 2221948 | Magnet Enclosure | SRI Splitter | J9 | Magnet Enclosure | Operator Display | J3 |
| 898 | 46-317903 | Magnet Enclosure | Physiological Acquisition C | Photo Plethysmograph | | | Photo Plethysmograph |
| 905 | 2262694 | Patient Table | Patient Table | J10 | Patient Table | Coil I/F Electronics | J4 |
| 906 | 2263200-14 | Patient Table | Patient Table | J11 | Penetration Panel | Penetration Panel | J47 |
| 910 | 2263200-15 | Operator Workspace | 8p_Serial_Cable | PORT 3 | Operator Workspace | Serial Converter | J2 |
| 911 | 2263200-16 | Operator Workspace | 8p_Serial_Cable | PORT 5 | Operator Workspace | Serial Converter | J1 |

| Run | GE Part Number | Source Subsystem | Source Assembly | Source Connection | Destination Subsystem | Destination Assembly | Destination Connection |
|------|----------------|-------------------|-----------------------------|----------------------|---------------------------|---------------------------|------------------------|
| 920 | 2263200-17 | Magnet Enclosure | Magnet Interface Board | J2 | Penetration Panel | Penetration Panel | J12 |
| 921 | 2263200-18 | Patient Table | Patient Table | J8 | Penetration Panel | Penetration Panel | J11 |
| 926 | 2263200-23 | Penetration Panel | Multi-coil Switching Filter | J78 | Patient Table | Patient Table | J9 |
| 927 | 2263200-24 | Penetration Panel | Multi-coil Bias Filter (G2) | J77 | Patient Table | Patient Table | J10 |
| 929 | 2263200-26 | System Cabinet | System Control Cabinet | J5 | Penetration Panel | Penetration Panel | J7 |
| 930 | 2259428 | Power Cabinet | System Support Module | J37 | Patient Comfort Compresso | Patient Comfort Compresso | |
| 931 | 2259428-2 | Power Cabinet | System Support Module | J47 | Patient Comfort Compresso | Patient Comfort Compresso | |
| | | | | | | | |
| 934 | 2263200-27 | Penetration Panel | Penetration Panel | J8 | Magnet Enclosure | Body Coil Preamplifier | Output |
| 935 | 2352605 | Power Cabinet | Radio Frequency Interface | J4 | Penetration Panel | Penetration Panel | J44 |
| 943 | 2275301 | | | Table Pivot Sensor | | | Run 944 |
| 944 | 2263200-34 | Magnet Enclosure | Magnet Interface Board | J4 | | | Run 943 |
| 1001 | 2283335 | Power Cabinet | Gradient Driver | X-GCA | Penetration Panel | Gradient Filter Box | 1,2,GND |
| 1002 | 2283336 | Power Cabinet | Gradient Driver | Y-GCA | Penetration Panel | Gradient Filter Box | 3,4,GND |
| 1003 | 2283337 | Power Cabinet | Gradient Driver | Z-GCA | Penetration Panel | Gradient Filter Box | 5,6,GND |
| 1004 | 2283338 | Penetration Panel | Gradient Filter Box | 1,2,GND | Magnet Enclosure | Gradient Coil | 1,3 |
| 1005 | 2283339 | Penetration Panel | Gradient Filter Box | 3,4,GND | Magnet Enclosure | Gradient Coil | 5,7 |
| 1006 | 2283340 | Penetration Panel | Gradient Filter Box | 5,6,GND | Magnet Enclosure | Gradient Coil | 9,11 |
| 1007 | 2279862 | Power Cabinet | Power Distribution Unit | RF Coil Cooling PLUG | Cooling Cabinet | Cooling Cabinet | TM1 (1,2) |
| 1008 | 2279864 | Power Cabinet | Power Distribution Unit | GND | Cooling Cabinet | Cooling Cabinet | GND |
| 1009 | 2280055 | Power Cabinet | Power Distribution Unit | 33,36,GND | Penetration Panel | TCU | J1 |
| 1010 | 2280056 | Magnet | Magnet | GND | Magnet Enclosure | Scan Room Interface (SRI) | GND |
| 1011 | 2282839 | Penetration Panel | TCU | J3 | Magnet | Magnet | J13 |
| 1012 | 2282838 | Penetration Panel | TCU | J4 | Magnet | Magnet | J14 |
| 1013 | 2282840 | Penetration Panel | TCU | J5 | Magnet | Magnet | J15 |
| 1014 | 2284671 | Penetration Panel | Dynamic Disable and Induc | J72 | Magnet Enclosure | Output Bias Box | DC in 1 |
| 1015 | 2284672 | Penetration Panel | Dynamic Disable and Induc | J75 | Magnet Enclosure | Output Bias Box | DC in 2 |
| 1016 | 2279863 | Penetration Panel | Penetration Panel | J14 | Magnet Enclosure | Scan Room Interface (SRI) | J1 |
| 1017 | 2280058 | Magnet Enclosure | SRI Splitter | J8 | Magnet Enclosure | Magnet Interface Board | J7 |
| 1018 | 2280057 | Magnet Enclosure | Magnet Interface Board | J5 | Magnet Enclosure | Pinch Switch | A1, A2, A3 |
| 1019 | 2284412 | Patient Table | Patient Table | J4 | Penetration Panel | MA Module | J1 |
| 1020 | 2284413 | Patient Table | Patient Table | J1 | Penetration Panel | MA Module | J2 |
| 1021 | 2284414 | Patient Table | Patient Table | J2 | Penetration Panel | MA Module | J3 |
| 1022 | 2284415 | Patient Table | Patient Table | J3 | Penetration Panel | MA Module | J4 |
| 1023 | 2288234 | Magnet Enclosure | Scan Room Interface (SRI) | J8 | Magnet Enclosure | SRI Splitter | J2 |
| 1024 | 2288584 | Power Cabinet | System Support Module | GND | Patient Comfort Compresso | Patient Comfort Compresso | GND |
| 1025 | 2294342 | Magnet Enclosure | FILTER BOX 2 | J1 | Penetration Panel | Penetration Panel | J89 |

| Run | GE Part Number | Source Subsystem | Source Assembly | Source Connection | Destination Subsystem | Destination Assembly | Destination Connection |
|------|----------------|------------------|---------------------------|-------------------|-----------------------|------------------------|------------------------|
| 1026 | 2294343 | Magnet Enclosure | FILTER BOX 3 | J2 | Magnet Enclosure | Operator Display | J5 |
| 1027 | 2284838 | Magnet Enclosure | Scan Room Interface (SRI) | GND | Magnet Enclosure | Magnet Interface Board | GND |