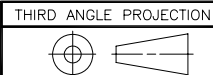


- NOTES:
- 1 RMMU FIBER OPTIC INTERFACE RS232: TRANSMITTER HFBR-1523 (HEWLETT PACKARD) RECEIVER HFBR-2523 (HEWLETT PACKARD)
 - 2 ERDU SWITCH/CABLE RESISTANCE REQUIREMENT < 8 OHMS PER SWITCH/CABLE AND 10 MEG OHMS ISOLATION FROM GROUND.
 - 3 BPU CONTROL, OPTIONAL DIRECT CONNECTION FROM MRI SYSTEM.
 - 4 SHORTING CAP MUST BE INSTALLED ON ALL CONNECTORS UNLESS SERVICE EQUIPMENT IS INSTALLED.
 - 5 MB1 CABLE CONFIGURATION SHOWN AFTER CR194 AND CR197, MB1 CABLE 53305-01 OR 53306-01 INSTALLED.
 - 6 CM5 CABLE CONFIGURATION SHOWN AFTER CR179. PREVIOUS VERSION HAD UNUSED CONNECTION FOR BPU LABELED BPU-PR.
 - 7 FOR HFO X MAGNETS: BH1 IS CONNECTED TO PIN N HM2b IS CONNECTED TO PIN d HFO X MAGNETS HAVE MAGNET ID NUMBERS BEGINNING WITH JA, JB, JC, JD.
 - 8 VM1 IS CONNECTED FOR HFO MAGNETS ONLY.

NORMAL OPERATION

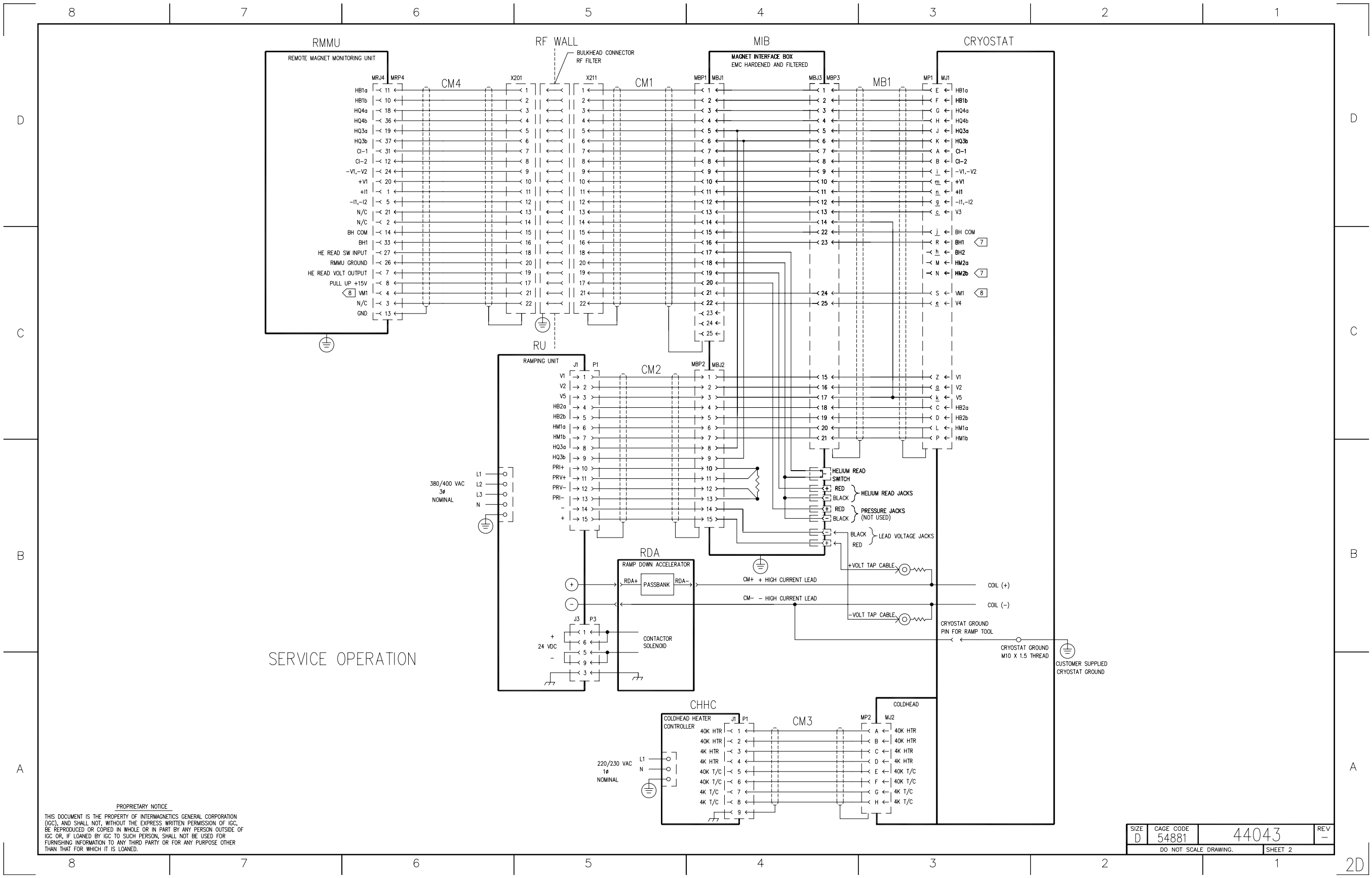
SEPARATE REF BOM EXISTS FOR THIS DRAWING

PROPRIETARY NOTICE
 THIS DOCUMENT IS THE PROPERTY OF INTERMAGNETICS GENERAL CORPORATION (IGC), AND SHALL NOT, WITHOUT THE EXPRESS WRITTEN PERMISSION OF IGC, BE REPRODUCED OR COPIED IN WHOLE OR IN PART BY ANY PERSON OUTSIDE OF IGC OR, IF LOANED BY IGC TO SUCH PERSON, SHALL NOT BE USED FOR FURNISHING INFORMATION TO ANY THIRD PARTY OR FOR ANY PURPOSE OTHER THAN THAT FOR WHICH IT IS LOANED.



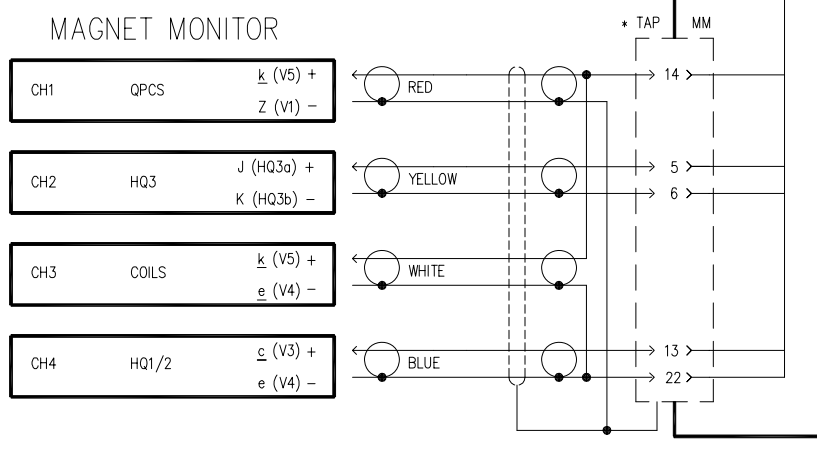
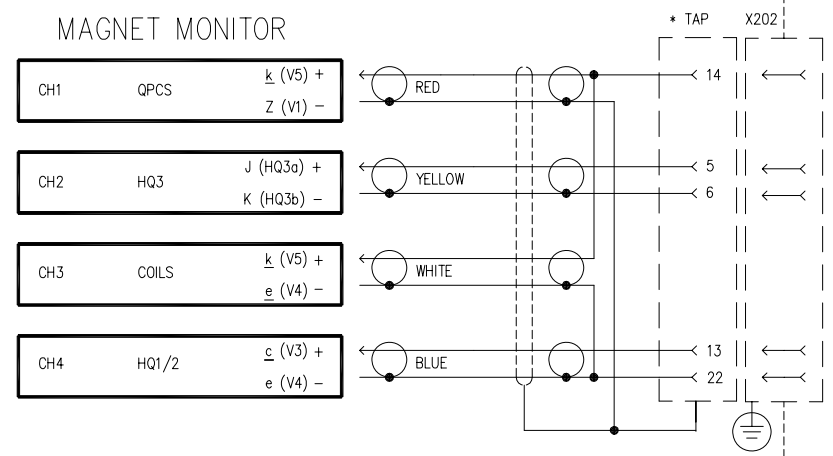
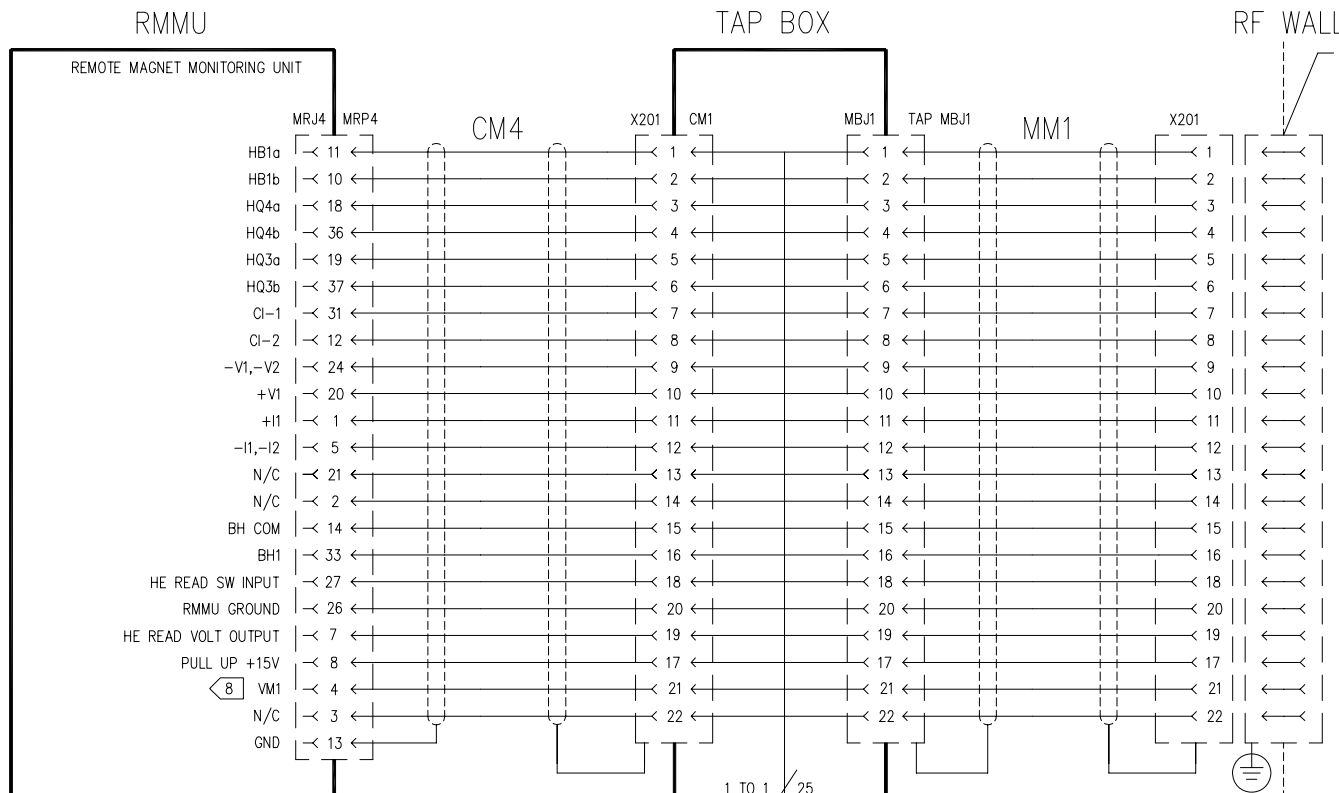
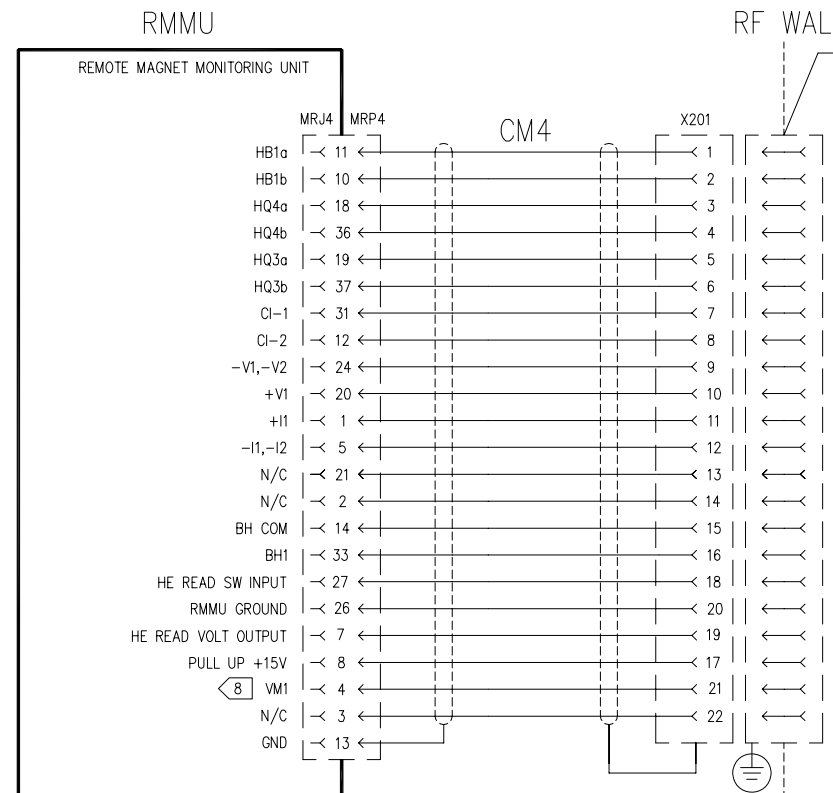
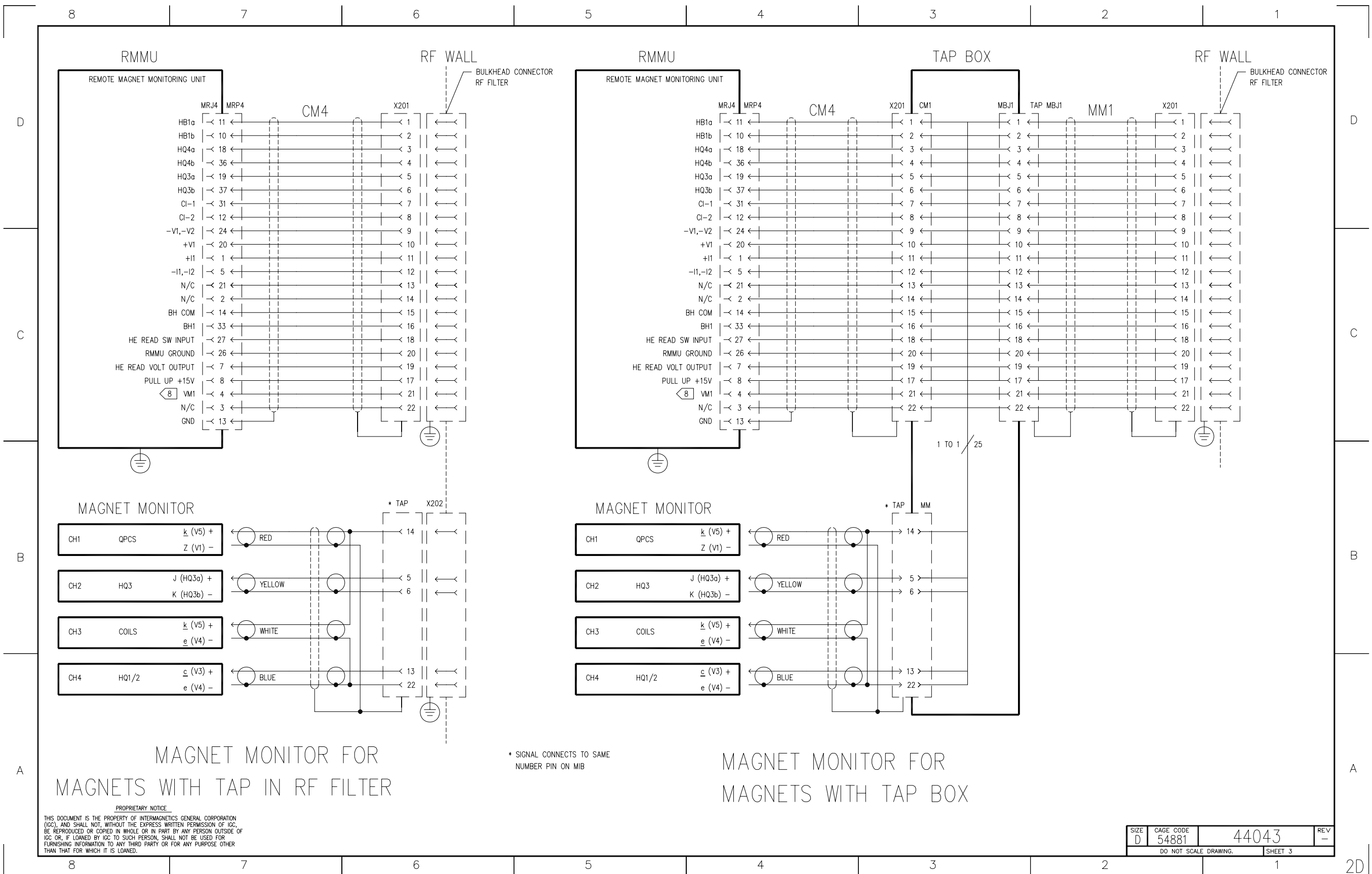
| METRIC | | SIGNATURES | |
|--|--|--------------------------|--|
| UNLESS OTHERWISE SPECIFIED DIMENSIONS ARE IN MILLIMETERS. TOLERANCES ON: | | DRAWN D L HIMMEL 12MAY06 | |
| 1 PLACE DECIMAL +/- NA | | DSGN ENGR | |
| 2 PLACE DECIMAL +/- NA | | PROJ ENGR | |
| ANGLES +/- NA | | DSGN/DFTG | |
| SURFACES FINISH NA | | MFG ENGR | |
| | | QA/SAFETY | |

| | | | |
|-----------------------|--|--------------------------------|-------|
| | | ELECTRICAL INTERCONNECT | |
| | | | |
| DO NOT SCALE DRAWING. | | 44043 | REV - |
| | | SHEET 1 OF 3 | |



PROPRIETARY NOTICE
 THIS DOCUMENT IS THE PROPERTY OF INTERMAGNETICS GENERAL CORPORATION (IGC), AND SHALL NOT, WITHOUT THE EXPRESS WRITTEN PERMISSION OF IGC, BE REPRODUCED OR COPIED IN WHOLE OR IN PART BY ANY PERSON OUTSIDE OF IGC OR, IF LOANED BY IGC TO SUCH PERSON, SHALL NOT BE USED FOR FURNISHING INFORMATION TO ANY THIRD PARTY OR FOR ANY PURPOSE OTHER THAN THAT FOR WHICH IT IS LOANED.

| | | | |
|-----------------------|-----------|-------|---------|
| SIZE | CAGE CODE | 44043 | REV |
| D | 54881 | | - |
| DO NOT SCALE DRAWING. | | | SHEET 2 |



MAGNET MONITOR FOR
MAGNETS WITH TAP IN RF FILTER

MAGNET MONITOR FOR
MAGNETS WITH TAP BOX

* SIGNAL CONNECTS TO SAME
NUMBER PIN ON MIB

PROPRIETARY NOTICE
THIS DOCUMENT IS THE PROPERTY OF INTERMAGNETICS GENERAL CORPORATION (IGC), AND SHALL NOT, WITHOUT THE EXPRESS WRITTEN PERMISSION OF IGC, BE REPRODUCED OR COPIED IN WHOLE OR IN PART BY ANY PERSON OUTSIDE OF IGC OR, IF LOANED BY IGC TO SUCH PERSON, SHALL NOT BE USED FOR FURNISHING INFORMATION TO ANY THIRD PARTY OR FOR ANY PURPOSE OTHER THAN THAT FOR WHICH IT IS LOANED.

| | | | |
|-----------------------|-----------|-------|---------|
| SIZE | CAGE CODE | 44043 | REV |
| D | 54881 | | - |
| DO NOT SCALE DRAWING. | | | SHEET 3 |