

IS THIS THE LATEST REVISION OF THIS DOCUMENT?

Before proceeding, please verify that you are using the latest approved revision of this document. To do this you may check with your Document Control Administrator. If you are not sure how to do this, please ask your team leader or manager.



SIGNA Lx AND HDe PATIENT SUPPORT SYSTEM FRU LIST

Approved and Reviewed by: Anand K	Date: <small>(This revision)</small>	SIGNA Lx AND HDe PATIENT SUPPORT SYSTEM FRU LIST			
Author: Kiran Kumar M R	Date:04-05-2009 <small>(This revision)</small>				
<small>This document is the property of GE Medical Systems. It can be neither reproduced nor communicated to a third party without written permission from a specially mandated person from the company.</small>		Number	Type	Format	Sheets
GE Medical Systems – MR engineering Bangalore - India		2320351	SNT	A4	Page 1 of 12
					Rev 6

Revision History

Rev	Date	Author	Change	Description
1	19/12/2003	Narendar.v	List revised	Initial Release
2	27/09/2006	Kiran Kumar M R	List revised	Signalite and HDe FRU List Updated and Detailed FRU Assy Drgs Added. ePDM Document Number Added.
3	15/12/2006	Kiran Kumar M R	List revised	FRU-KIT CRADLE ASSEMBLY-SIGNA LX TABLE (5151339) CHANGED TO CRADLE ASSEMBLY+PACKING (5177505)
4	29/01/2007	Kiran Kumar M R	List revised	5132699 Pump Part has been replaced by New Pump Part 5135744
5	06/12/2007	Kiran Kumar M R	List revised	Link Dock FRU Kit assembly and Cable Clamp assembly added in FRU List and FRU List Updated
6	04/05/2009	Kiran Kumar M R	List revised	Panel Assembly LH (SL No-9) and RH (SL No-30) have been replaced with New Panel Assembly LH and RH FRU Kit.

Approved and Reviewed by: Anand K	Date: <small>(This revision)</small>	SIGNA Lx AND HDe PATIENT SUPPORT SYSTEM FRU LIST			
Author: Kiran Kumar M R	Date:04-05-2009 <small>(This revision)</small>				
<small>This document is the property of GE Medical Systems. It can be neither reproduced nor communicated to a third party without written permission from a specially mandated person from the company.</small>		Number	Type	Format	Sheets
GE Medical Systems – MR engineering Bangalore - India		2320351	SNT	A4	Page 2 of 12
					Rev 6

SI No.	Part Number Signalite	Part Number HDe	Detailed Part Description	Qty per system	FRU ASSEMBLY DRG	Pg NO.	New/ Existing Part N/E <small>(This revision)</small>
1	5179918	5179918	HOUSING (WHEEL)(6 WHEELS PER KIT)	3	CRADLE ASSY	6	N
2	5111813	5177505	CRADLE ASSEMBLY+PACKING	1	TABLE TOP AND BASE ASSY	10	N
3	5136226	5136226	CATIS CASTER ASSY+PACK AGING	1	LOWER BASE ASSY-2	7	E
4	2333047	2333047	PIN_CYLINDER_MTG-SIGNA LX	2	VERTICAL DRIVE ASSY	12	E
5	5214978	5215652	NEW PINCH GUARD AND ARM BOARD BUMPERS FRU KIT	1	TABLE TOP ASSY	11	N
6	2335208	5145973	FOOT END BUMPER-RH	1	TABLE TOP ASSY	11	N
7	2335209	5149845	FOOT END SLOT BUMPER-SIGNA LX	1	TABLE TOP ASSY	11	N
8	2369234	2369234	HANDLE CAP-LH	1	TABLE TOP AND BASE ASSY	10	E
9	5331341-2	5331341	PANEL ASSY LH-SIGNA LX	1	TABLE TOP ASSY	11	N
10	2335228	5151332	FLIPPER ASSY-SIGNA LX	1	TABLE TOP ASSY	11	N
11	2340113	2340113	SHAFT-PUMP LINK	2	LOWER BASE-3	8	E
12	2340116	2340116	PUMP LINK	1	LOWER BASE-3	8	E
13	2341546	2341546	WEAR BLOCK	1	TABLE TOP ASSY	11	E
14	2341817	2341817	PIN-DOCK HOOK	1	LOWER BASE ASSY-2	7	E
15	2341953	2341953	BELLOWS SIGNA LX TABLE	1	TABLE TOP AND BASE ASSY	10	E
16	2344298	5151337	TOP OUTER COVER ASSY-LH	1	TABLE TOP AND BASE ASSY	10	N
17	2345662	2345662	STOPPER-DELRIN	2	REAR SUPPORT ASSY	9	E
18	2347089	5151334	ARMBOARD ASSEMBLY-LH	1	TABLE TOP AND BASE ASSY	10	N
19	2347089-2	5151335	ARMBOARD ASSEMBLY-RH	1	TABLE TOP AND BASE ASSY	10	N
20	2368276	5145969	HANDLE-RH	1	TABLE TOP ASSY	11	N
21	2368276-2	5145969-2	HANDLE-LH	1	TABLE TOP ASSY	11	N
22	2351462	2351462	DRIP PAN-FRONT	1	TABLE TOP AND BASE ASSY	10	E
23	2351463	2351463	DRIP PAN-REAR	1	TABLE TOP AND BASE ASSY	10	E
24	2351466	2351466	SPRING BOOST ASSEMBLY	4	LOWER BASE-3	8	E

Approved and Reviewed by: Anand K	Date: <small>(This revision)</small>	SIGNA Lx AND HDe PATIENT SUPPORT SYSTEM FRU LIST			
Author: Kiran Kumar M R	Date:04-05-2009 <small>(This revision)</small>				
This document is the property of GE Medical Systems. It can be neither reproduced nor communicated to a third party without written permission from a specially mandated person from the company.		Number	Type	Format	Sheets
GE Medical Systems – MR engineering Bangalore - India		2320351	SNT	A4	Page 3 of 12
					Rev 6

DOCUMENT MARKUP - FOR REFERENCE ONLY. See related Drawing Print for complete definition.

25	2357437	2357437	CONNECTING BLOCK	1	LOWER BASE-3	8	E
26	2357438	2357438	NEW PUMP LINK	2	LOWER BASE-3	8	E
27	2357816	2357816	PIN	2	LOWER BASE-3	8	E
28	2357817	2357817	SHAFT	1	LOWER BASE-3	8	E
29	5160619	5160619	HYD CYLINDER WITH PACKING	1	VERTICAL DRIVE ASSY	12	E
30	5331342-2	5331342	PANEL ASSY RH-SIGNA LX	1	TABLE TOP ASSY	11	N
31	5177597	5177597	CRADLE WHEEL BEARING - 11 BALL	18	CRADLE ASSY	6	E
32	46-256080P1	46-256080P1	CABLE, PUSH PULL, NYLON, MOLYBDENUM	(20ft)	LOWER BASE ASSY-2	7	E
33	5132699	5132699	PUMP ASSEMBLY WITH PACKING	1	LOWER BASE ASSY-2	7	E
34	5161172-3	5161172	22 INCH SIDE BUMPER, INFINITY COLOR	2	TABLE TOP ASSY	11	N
35	5161172-4	5161172-2	16.25 INCHES SIDE BUMPER, INFINITY	2	TABLE TOP ASSY	11	N
36	46-271026P3	5145935	TABLE HEAD END BUMPER, INFINITY	1	TABLE TOP ASSY	11	N
37	46-271511P1	46-271511P1	CABLE	4	LOWER BASE ASSY-2	7	E
38	2389561	2389561	ADJUSTMENT SCREW	3	VERTICAL DRIVE ASSY	12	E
39	46-271551G1	46-271551G1	DETACHABLE, TELESCOPING IV SUPPORT	1	TABLE TOP ASSY	11	E
40	46-271761P1	46-271761P1	CASTER BUSHING, TAPERED ID, BRASS	4	REAR SUPPORT ASSY	9	E
41	46-271771P1	46-271771P1	PAD, _NEOPRENE RUBBER PEDAL BUMPER.	3	LOWER BASE ASSY-2	7	E
42	46-271895P1	46-271895P1	THREADED CASTER-MOUNTING CAP	4	LOWER BASE ASSY-2	7	E
43	46-271921P1	46-271921P1	HYDR CYL CABLE, FITTINGS BOTH ENDS	1	LOWER BASE ASSY-2	7	E
44	2344298-2	5151338	TOP OUTER COVER ASSY-RH	1	TABLE TOP AND BASE ASSY	10	N
45	2335208-2	5145973-2	FOOT END BUMPER-LH	1	TABLE TOP ASSY	11	N
46	2369234-2	2369234-2	HANDLE CAP-RH	1	TABLE TOP AND BASE ASSY	10	E
47	2368063	2368063	FRP_BOTTOM COVER-RH	1	TABLE TOP AND BASE ASSY	10	E
48	2368063-2	2368063-2	FRP_BOTTOM COVER-LH	1	TABLE TOP AND BASE ASSY	10	E

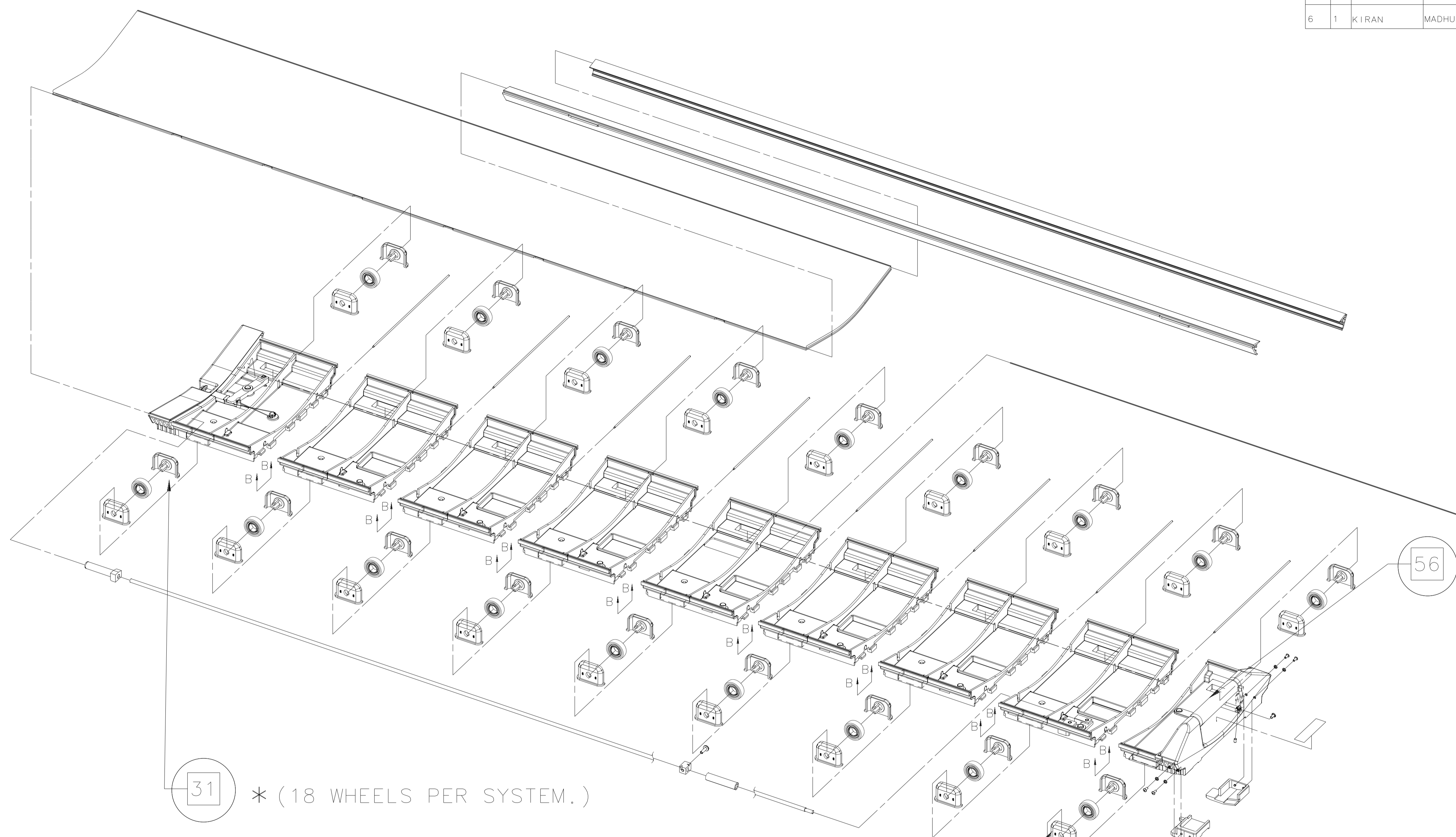
Approved and Reviewed by: Anand K	Date: (This revision)	SIGNA Lx AND HDe PATIENT SUPPORT SYSTEM FRU LIST			
Author: Kiran Kumar M R	Date: 04-05-2009 (This revision)				
This document is the property of GE Medical Systems. It can be neither reproduced nor communicated to a third party without written permission from a specially mandated person from the company.		Number	Type	Format	Sheets
GE Medical Systems – MR engineering Bangalore - India		2320351	SNT	A4	Page 4 of 12
					Rev 6

49	2390958	2390958	RESERVOIR ASSEMBLY	1	LOWER BASE ASSY-2	7	E
50	46-271946P1	46-271946P1	FILTER	1	LOWER BASE ASSY-2	7	E
51	5193207	5193207	FLIPPER CABLE FRU KIT	1	TABLE TOP ASSY	11	E
52	2376037	2376037	WARNING LABEL	1	VERTICAL DRIVE ASSY	12	E
53	2387542	5150525	SIGNALITE TABLE PADS SET	1	TABLE TOP AND BASE ASSY	10	N
54	5108543	5108543	DOWN RELEASE ADJUSTMENT GAGE	1	TABLE TOP AND BASE ASSY	10	E
55	2348467	2348467	ELBOW	1	LOWER BASE ASSY-2	7	N
56	5233775	5233775	CRADLE HANDLE	1	CRADLE ASSY	6	N
57	5257699	5257700	NEW ARM BOARD BUMPERS FRU KIT	1	TABLE TOP AND BASE ASSY	10	N
58	46-271564P1	5145965	FLIPPER COVER	1	TABLE TOP AND BASE ASSY	10	N
59	46-271563P1	5152089	COVER	1	TABLE TOP AND BASE ASSY	10	N
60	2341548	5146009	FLIPPER	1	TABLE TOP ASSY	11	N
61	5193208	5193208	DOWN RELEASE CABLE FRU KIT	1	VERTICAL DRIVE ASSY	12	N
62	5271723	5271723	NEW DEAD STOPPER FRU KIT ASSEMBLY	1	TABLE TOP AND BASE ASSY	10	N
63	5189056	5189056	SCISSOR ASSEMBLY REPLACEMENT FRU KIT	1	LOWER BASE ASSY-2	7	N
64	5154756	5154756	LINK UNDOCK WITH PACKAGING	1	LOWER BASE-3	8	N
65	5191923	5191923	HOSE ASSEMBLY FRU KIT	1	LOWER BASE-3	8	N
66	2375943	2375943	10-32 3/4~ BUTTON HEAD SCREW	10	TABLE TOP AND BASE ASSY	10	N
67	46-208938P5	46-208938P5	10-32, 3/8~ HEX X .130 THK, 18-8 SST	10	TABLE TOP AND BASE ASSY	10	N
68	2365191	2365191	SUPPORT-BELLOW	1	TABLE TOP AND BASE ASSY	10	N
69	2348919	2348919	DAMPNER CYLINDER ASSEMBLY	1	LOWER BASE ASSY-2	7	N
70	5193237	5193237	UP INDICATOR BRACKET FRU KIT	1	LOWER BASE ASSY-2	7	N
71	5267100	5267100	LINK DOCK FRU KIT ASSEMBLY	1	LOWER BASE-3	8	N
72	5266524	5266524	CABLE CLAMP FRU KIT ASSEMBLY	1	TABLE TOP AND BASE ASSY	10	N

Approved and Reviewed by: Anand K	Date: (This revision)	SIGNA Lx AND HDe PATIENT SUPPORT SYSTEM FRU LIST			
Author: Kiran Kumar M R	Date: 04-05-2009 (This revision)				
This document is the property of GE Medical Systems. It can be neither reproduced nor communicated to a third party without written permission from a specially mandated person from the company.		Number	Type	Format	Sheets
GE Medical Systems – MR engineering Bangalore - India		2320351	SNT	A4	Page 5 of 12
					Rev 6

DOCUMENT MARKUP - FOR REFERENCE ONLY. See related Drawing Print for complete definition.

REVISIONS						
REV	QTY	MODIFIED BY	CHECKED BY	DATE	ECN/PCN NO.	DESCRIPTION
1	1	NARENDAR.V	PRASAD.SGV	03/12/19		INITIAL RELEASE.
2	1	KIRAN	ANAND	06/09/27		SIGNALITE AND HD® FRU LIST UPDATED AND DETAIL FRU ASSY DRGS ADDED.
3	1	KIRAN	ANAND	06/12/15	2037659	FRU-KIT CRADLE ASSEMBLY-SIGNA LX TABLE (5151339) CHANGED TO CRADLE ASSEMBLY+PACKING(5177505)
4	1	KIRAN	ANAND	07/01/29	2039042	5132699 PUMP PART HAS BEEN REPLACED BY NEW PUMP PART 5135744.
5	1	KIRAN	MADHU	05DEC07	2051767	REFER TO REVISION HISTORY TAB.
6	1	KIRAN	MADHU	04MAY2009	2082926	PANEL ASSY LH(SL.NO 9) & RH(SL.NO 30) WITH NEW PANEL ASSY LH & RH FRU KIT



31 * (18 WHEELS PER SYSTEM.)

56

*(ONE SET CONSISTS OF 6 WHEEL ASSEMBLY.)

1

□ - INDICATES FRU
PHYSICAL ID:

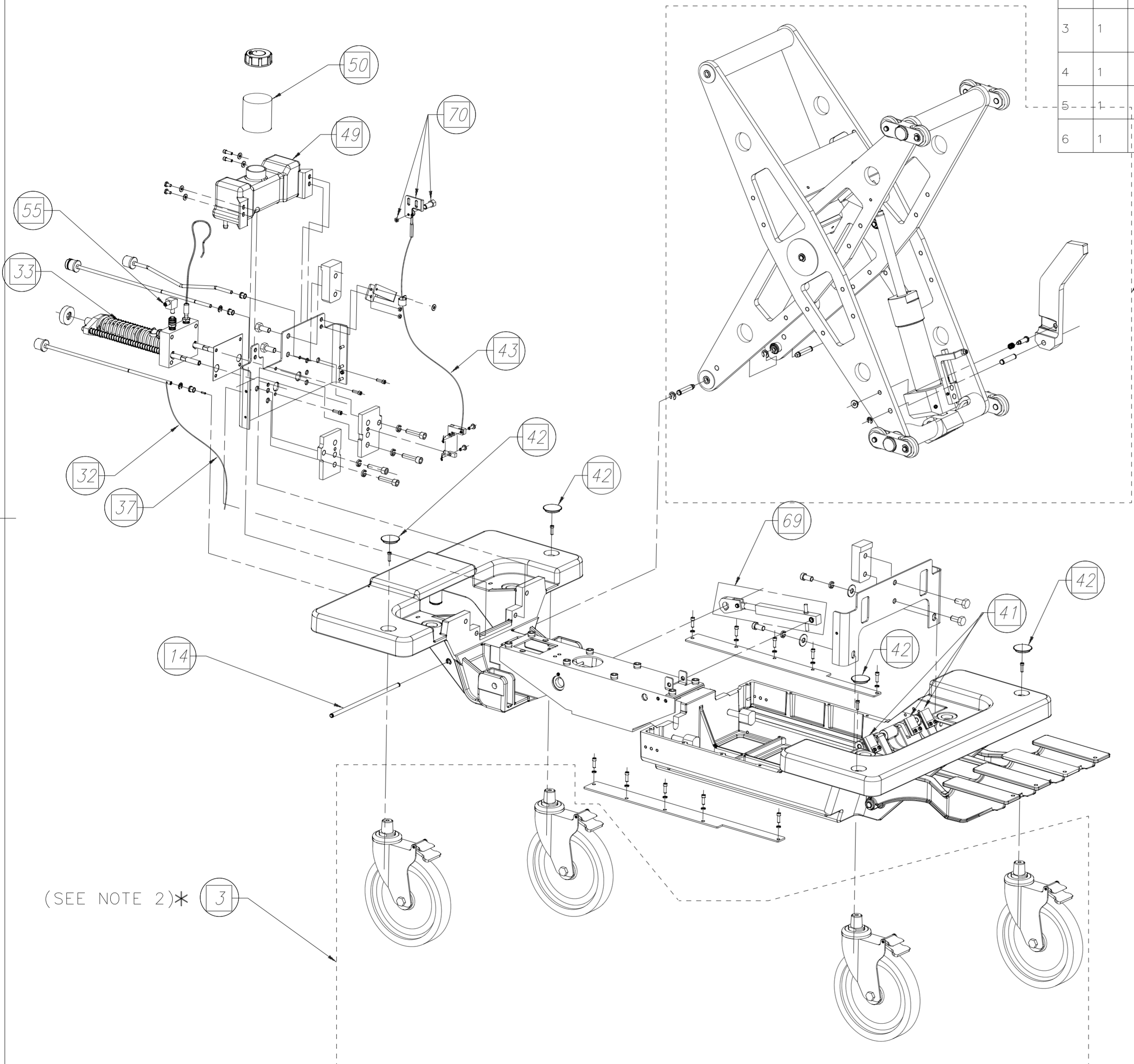
This document is the property of GE Medical Systems. It can neither be reproduced, nor be communicated to the third party without written permission from specially mandated person from the company.

MATERIAL:		FINISH:		SURFACE ROUGHNESS	
CHECKER		METRIC		THIRD ANGLE PROJECTION	
SOURCING		DIMENSIONS WITHOUT TOLERANCE INDICATION			
MFG		NOMINAL DIMENSION#			ANGLES
ENG		PERMISSIBLE VARIATIONS			
DES		TITLE			
APPROVALS	YY/MM/DD	CRADLE ASSY		REV 6	
MADE BY	03/12/12	FIRST MADE FOR: SIGNA LX		MOD CODE	
ISSUED/CH	04/02/16	GE Medical Systems		PAGE 6/12	
		BANGALORE-INDIA			

DOCUMENT MARKUP - FOR REFERENCE ONLY. See related Drawing Print for complete definition.

A
B
C
D
E
F
G
H

REVISIONS						
REV	QTY	MODIFIED BY	CHECKED BY	DATE	ECN/PCN NO.	DESCRIPTION
1	1	NARENDAR.V	PRASAD.SGV	03/12/19		INITIAL RELEASE.
2	1	KIRAN	ANAND	06/09/27		SIGNALITE AND HDe FRU LIST UPDATED AND DETAIL FRU ASSY DRGS ADDED.
3	1	KIRAN	ANAND	06/12/15	2037659	FRU-KIT CRADLE ASSEMBLY-SIGNA LX TABLE (5151339) CHANGED TO CRADLE ASSEMBLY+PACKING(5177505)
4	1	KIRAN	ANAND	07/01/29	2039042	5132699 PUMP PART HAS BEEN REPLACED BY NEW PUMP PART 5135744.
5	1	KIRAN	MADHU	05DEC07	2051767	REFER TO REVISION HISTORY TAB.
6	1	KIRAN	MADHU	04MAY2009	2082976	PANEL ASSY LH(SL.NO 9) & RH(SL.NO 30) WITH NEW PANEL ASSY LH & RH FRU KIT



63 * (SEE NOTE 1)

NOTE:
 1)FRU KIT WITHOUT HYDRAULIC CYLINDER ASSEMBLY.
 2)CATIS CASTER SET CONSISTS OF 3 TOTAL LOCK CASTER & 1 DIRECTIONAL LOCK CASTER.

- INDICATES FRU

PHYSICAL ID:

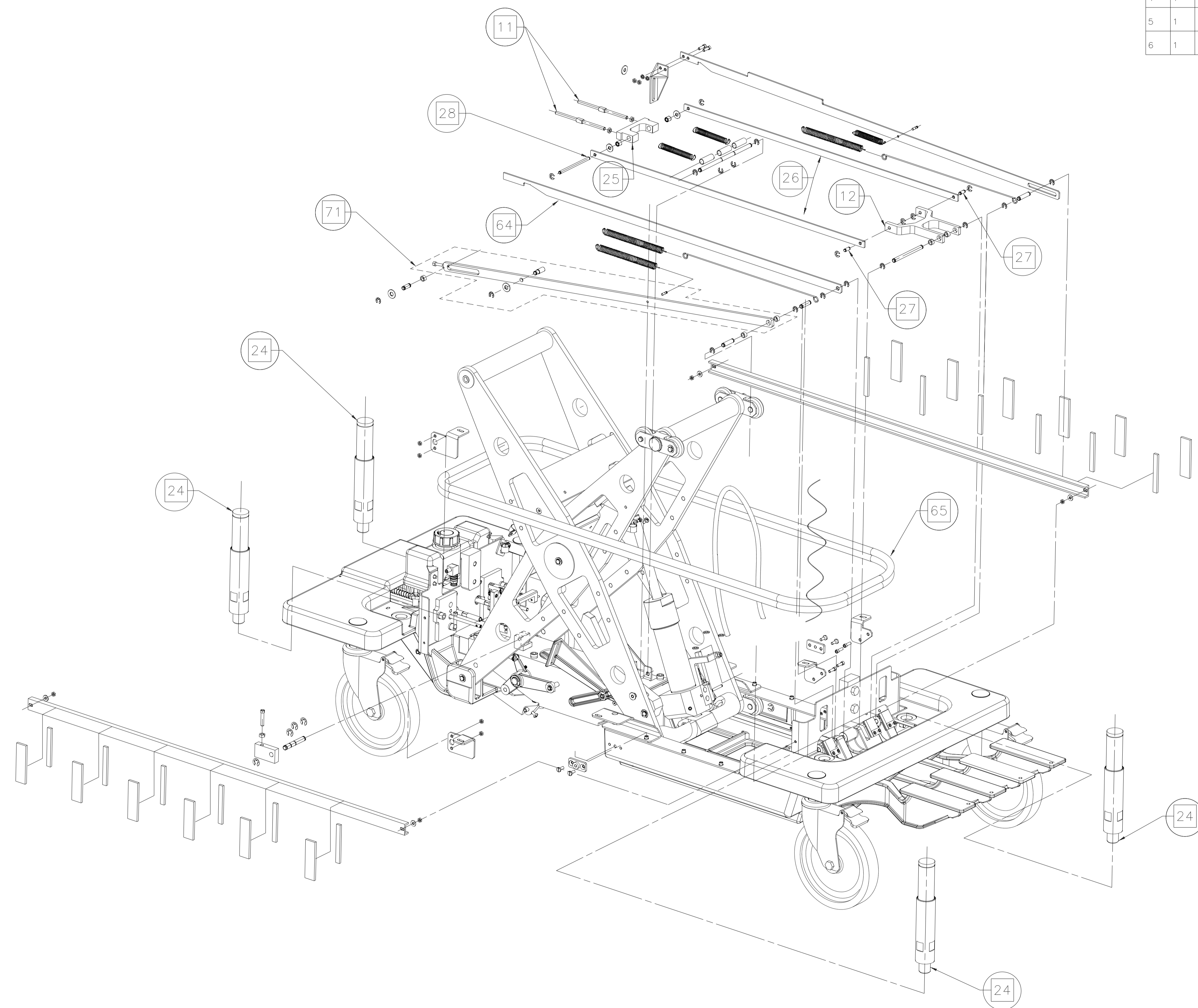
This document is the property of GE Medical Systems. It can neither be reproduced, nor be communicated to the third party without written permission from specially mandated person from the company.

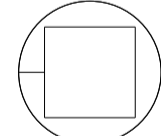
(SEE NOTE 2)* 3

MATERIAL:		FINISH:		SURFACE ROUGHNESS	
CHECKER		APPLIED PRACTICES		THIRD ANGLE PROJECTION	
SOURCING		DIMENSIONS WITHOUT TOLERANCE INDICATION			
MFG		NOMINAL DIMENSION#			
ENG		PERMISSIBLE VARIATIONS			
DES		TITLE		REV	
APPROVALS		YY/MM/DD		6	
MADE BY		FIRST MADE FOR:		MOD CODE	
ISSUED/CH		PRASAD SGV 03/12/08		PAGE 7/12	
		LOWER BASE ASSY-2			
		GE Medical Systems			
		BANGALORE-INDIA			

DOCUMENT MARKUP - FOR REFERENCE ONLY. See related Drawing Print for complete definition.

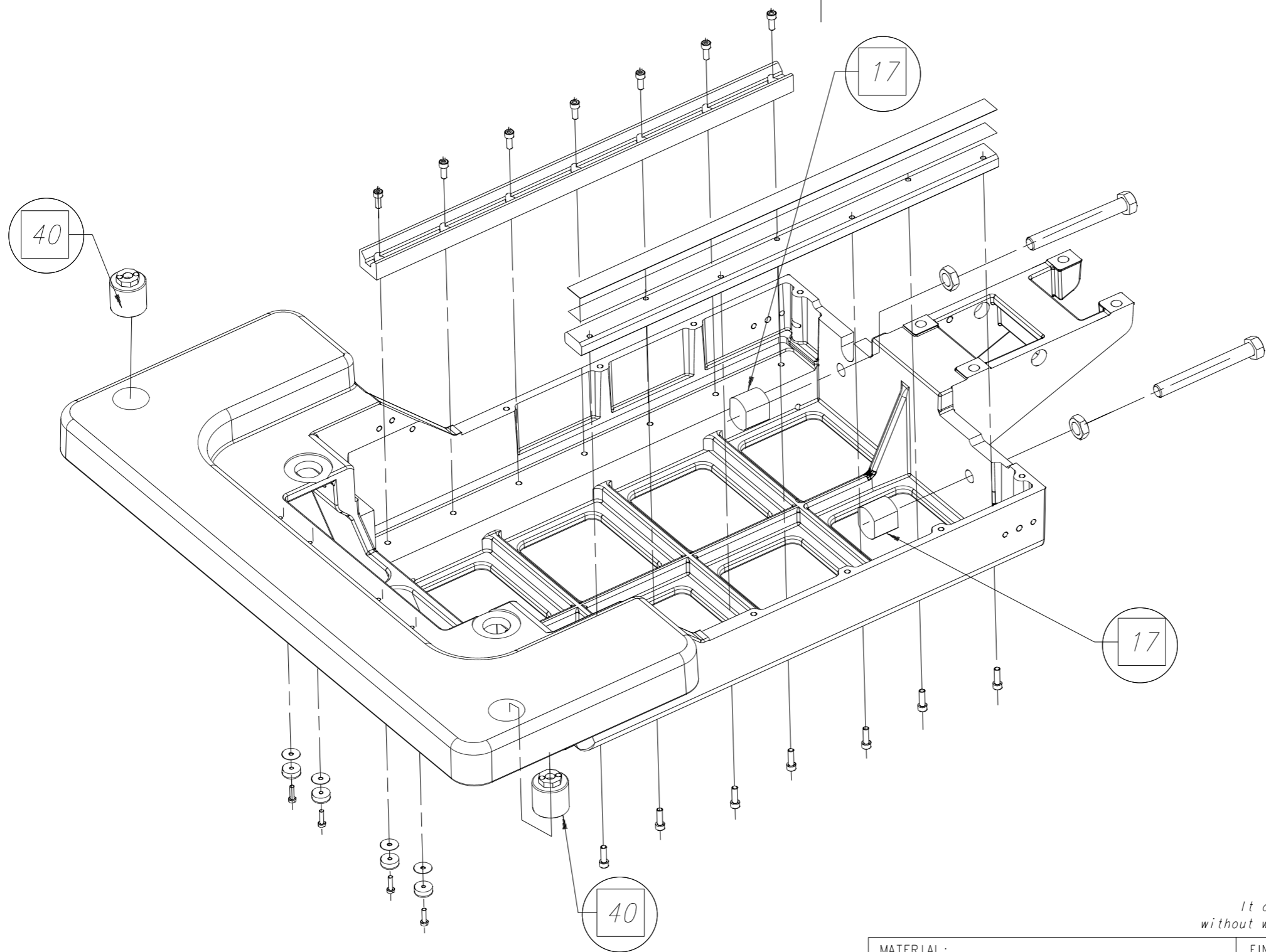
REVISIONS						
REV	QTY	MODIFIED BY	CHECKED BY	DATE	ECN/PCN NO.	DESCRIPTION
1	1	NARENDAR.V	PRASAD.SGV	03/12/19		INITIAL RELEASE.
2	1	KIRAN	ANAND	06/09/27		SIGNALITE AND HD® FRU LIST UPDATED AND DETAIL FRU ASSY DRGS ADDED.
3	1	KIRAN	ANAND	06/12/15	2037659	FRU-KIT CRADLE ASSEMBLY-SIGNA LX TABLE (5151339) CHANGED TO CRADLE ASSEMBLY+PACKING(5177505).
4	1	KIRAN	ANAND	07/01/29	2039042	5132699 PUMP PART HAS BEEN REPLACED BY NEW PUMP PART 5135744.
5	1	KIRAN	MADHU	05DEC07	2051767	REFER TO REVISION HISTORY TAB.
6	1	KIRAN	MADHU	04MAY2009	2082976	PANEL ASSY LH(SL.NO 9) & RH(SL.NO 30) WITH NEW PANEL ASSY LH & RH FRU KIT



 - INDICATES FRU
 PHYSICAL ID:
 THIS PART TO LABELED PER
 GEMS DWG 46-274914, CLASS 1
 LABEL PLACEMENT IS NOT CRITICAL.

MATERIAL:		FINISH:		SURFACE ROUGHNESS	
CHECKER		METRIC		APPLIED PRACTICES	THIRD ANGLE PROJECTION
SOURCING		46-316917		DIMENSIONS WITHOUT TOLERANCE INDICATION	
MFG		NOMINAL DIMENSION#			
ENG		PERMISSIBLE VARIATIONS			
DES		TITLE			REV
APPROVALS	YY/MM/DD	LOWER BASE-3			6
MADE BY	03/12/12	FIRST MADE FOR:			
ISSUED/CH	03/12/12	GE Medical Systems			
		BANGALORE-INDIA			
		PAGE 8/12			

DOCUMENT MARKUP - FOR REFERENCE ONLY. See related Drawing Print for complete definition.



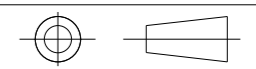
 - INDICATES FRU

PHYSICAL ID:

This document is the property of GE Medical Systems. It can neither be reproduced, nor be communicated to the third party without written permission from specially mandated person from the company.

REV	MODIFIED BY	CHECKED BY	DATE	ECN/PCN NO.	DESCRIPTION
6	KIRAN	MADHU	04MAY2009	2082976	PANEL ASSY LH(SL.NO 9) & RH(SL.NO 30) WITH NEW PANEL ASSY LH & RH FRU KIT
5	KIRAN	MADHU	05DEC07	2051767	REFER TO REVISION HISTORY TAB.
4	KIRAN	ANAND	07/01/29	2039042	5132699 PUMP PART HAS BEEN REPLACED BY NEW PUMP PART 5135744.
3	KIRAN	ANAND	06/12/15	2037659	FRU-KIT CRADLE ASSEMBLY-SIGNA LX TABLE (5151339) CHANGED TO CRADLE ASSEMBLY+PACKING(5177505).
2	KIRAN	ANAND	06/09/27		SIGNALITE AND HDe FRU LIST UPDATE AND DETAILED FRU ASSY DRGS ADDED.
1	NARENDAR.V	PRASAD SGV	03/05/06		INITIAL RELEASE.

REVISIONS

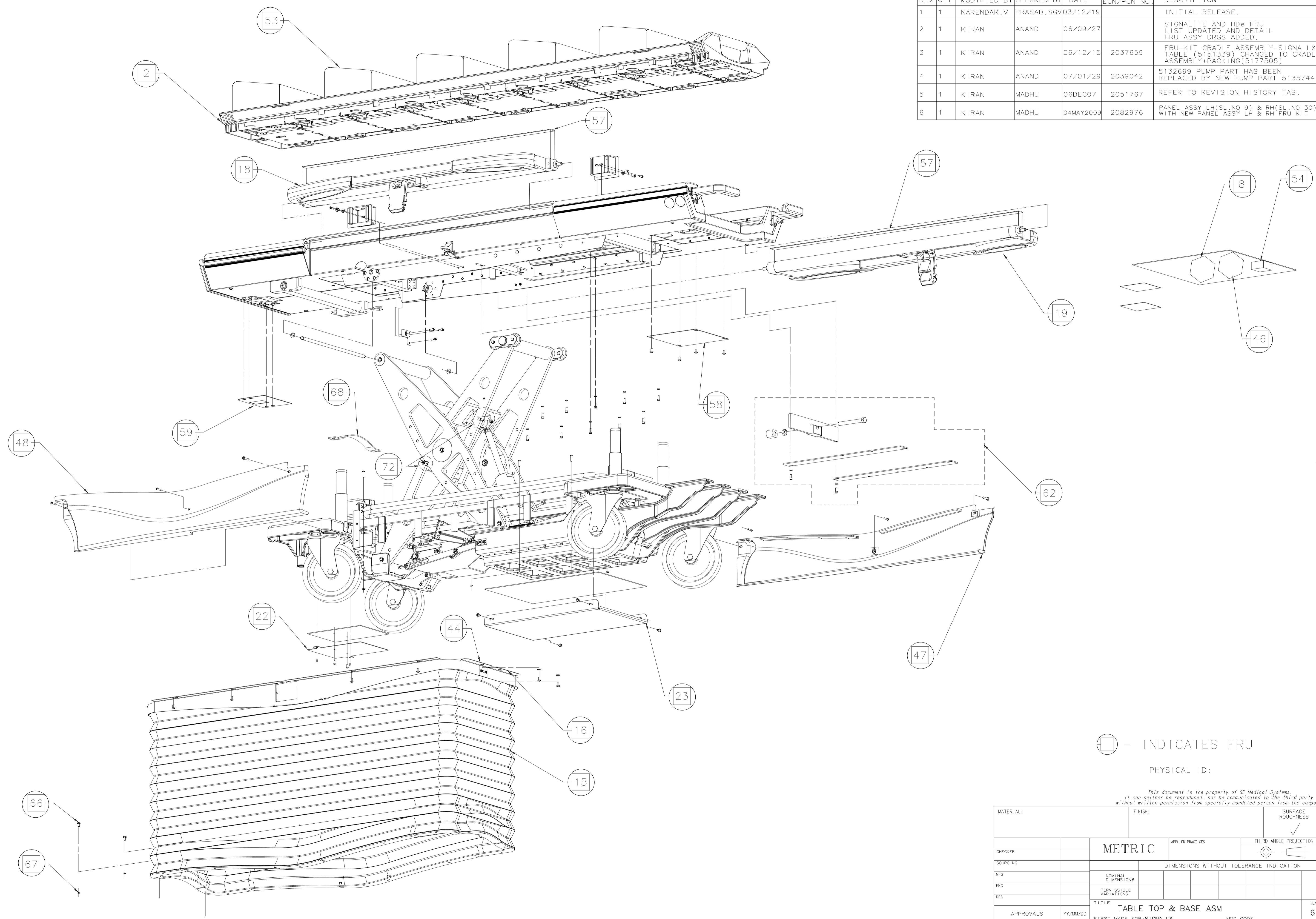
MATERIAL : —		FINISH: —		SURFACE ROUGHNESS ✓	
CHECKER		INCH		APPLIED PRACTICES 46-131001	
SOURCING				THIRD ANGLE PROJECTION 	
MFG		DIMENSIONS WITHOUT TOLERANCE INDICATION			
ENG		NOMINAL DIMENSTON#			ANGLES
DES		PERMISSIBLE VARIATIONS			
APPROVALS		TITLE			REV
YY/MM/DD		REAR SUPPORT ASSY			6
MADE BY NAREN		FIRST MADE FOR: SIGNA Lx			
ISSUED/CH S.G.V.PRASAD		03/12/12		GE MEDICAL SYSTEMS BANGALORE-INDIA	
		03/12/12		PAGE 9/12	

FIRST DESIGNED IN CONJUNCTION WITH:

DOCUMENT MARKUP - FOR REFERENCE ONLY. See related Drawing Print for complete definition.

REV B 03/FEB/22

REVISIONS						
REV	QTY	MODIFIED BY	CHECKED BY	DATE	ECN/PCN NO.	DESCRIPTION
1	1	NARENDAR.V	PRASAD.SGV	03/12/19		INITIAL RELEASE.
2	1	KIRAN	ANAND	06/09/27		SIGNAL LITE AND HD® FRU LIST UPDATED AND DETAIL FRU ASSY DRGS ADDED.
3	1	KIRAN	ANAND	06/12/15	2037659	FRU-KIT CRADLE ASSEMBLY-SIGNA LX TABLE (5151339) CHANGED TO CRADLE ASSEMBLY+PACKING(5177505)
4	1	KIRAN	ANAND	07/01/29	2039042	5132699 PUMP PART HAS BEEN REPLACED BY NEW PUMP PART 5135744.
5	1	KIRAN	MADHU	06DEC07	2051767	REFER TO REVISION HISTORY TAB.
6	1	KIRAN	MADHU	04MAY2009	2082976	PANEL ASSY LH(SL.NO 9) & RH(SL.NO 30) WITH NEW PANEL ASSY LH & RH FRU KIT



□ - INDICATES FRU

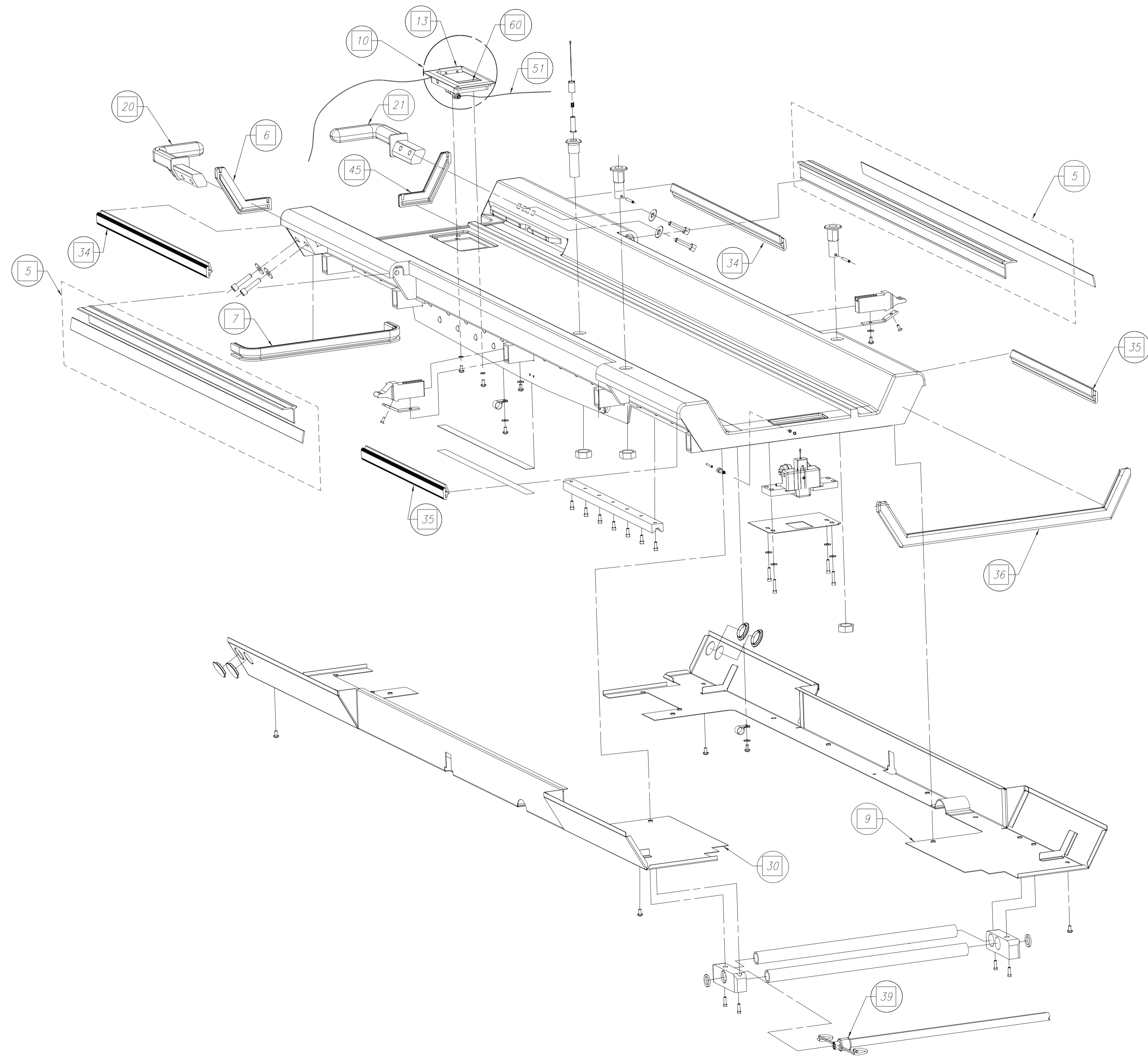
PHYSICAL ID:

This document is the property of GE Medical Systems. It can neither be reproduced, nor be communicated to the third party without written permission from specially mandated person from the company.

MATERIAL:		FINISH:		SURFACE ROUGHNESS	
CHECKER		METRIC		THIRD ANGLE PROJECTION	
SOURCING		DIMENSIONS WITHOUT TOLERANCE INDICATION			
MFG		NOMINAL DIMENSION#			
ENG		PERMISSIBLE VARIATIONS			
DES		TITLE			REV
APPROVALS	YY/MM/DD	TABLE TOP & BASE ASM			6
MADE BY	03/12/12	FIRST MADE FOR: SIGNA LX			MOD CODE
ISSUED/CH	03/12/12	GE Medical Systems			PAGE 10/12
	PRASAD.SGV	BANGALORE-INDIA			

FIRST DESIGNED IN CONJUNCTION WITH:

DOCUMENT MARKUP - FOR REFERENCE ONLY. See related Drawing Print for complete definition.



REVISIONS						
REV	QTY	MODIFIED BY	CHECKED BY	DATE	ECN/PCN NO.	DESCRIPTION
1	1	NARENDAR.V	PRASAD.SGV	03/12/19		INITIAL RELEASE.
2	1	KIRAN	ANAND	06/09/27		SIGNALITE AND HD6 FRU LIST UPDATED AND DETAIL FRU ASSY DRGS ADDED.
3	1	KIRAN	ANAND	06/12/15	2037659	FRU-KIT CRADLE ASSEMBLY-SIGNA LX TABLE (5151339) CHANGED TO CRADLE ASSEMBLY+PACKING(5177505).
4	1	KIRAN	ANAND	07/01/29	2039042	5132699 PUMP PART HAS BEEN REPLACED BY NEW PUMP PART 5135744.
5	1	KIRAN	MADHU	05DEC07	2051767	REFER TO REVISION HISTORY TAB.
6	1	KIRAN	MADHU	04MAY2009	2082976	PANEL ASSY LH(SL.NO 9) & RH(SL.NO 30) WITH NEW PANEL ASSY LH & RH FRU KIT

- INDICATES FRU

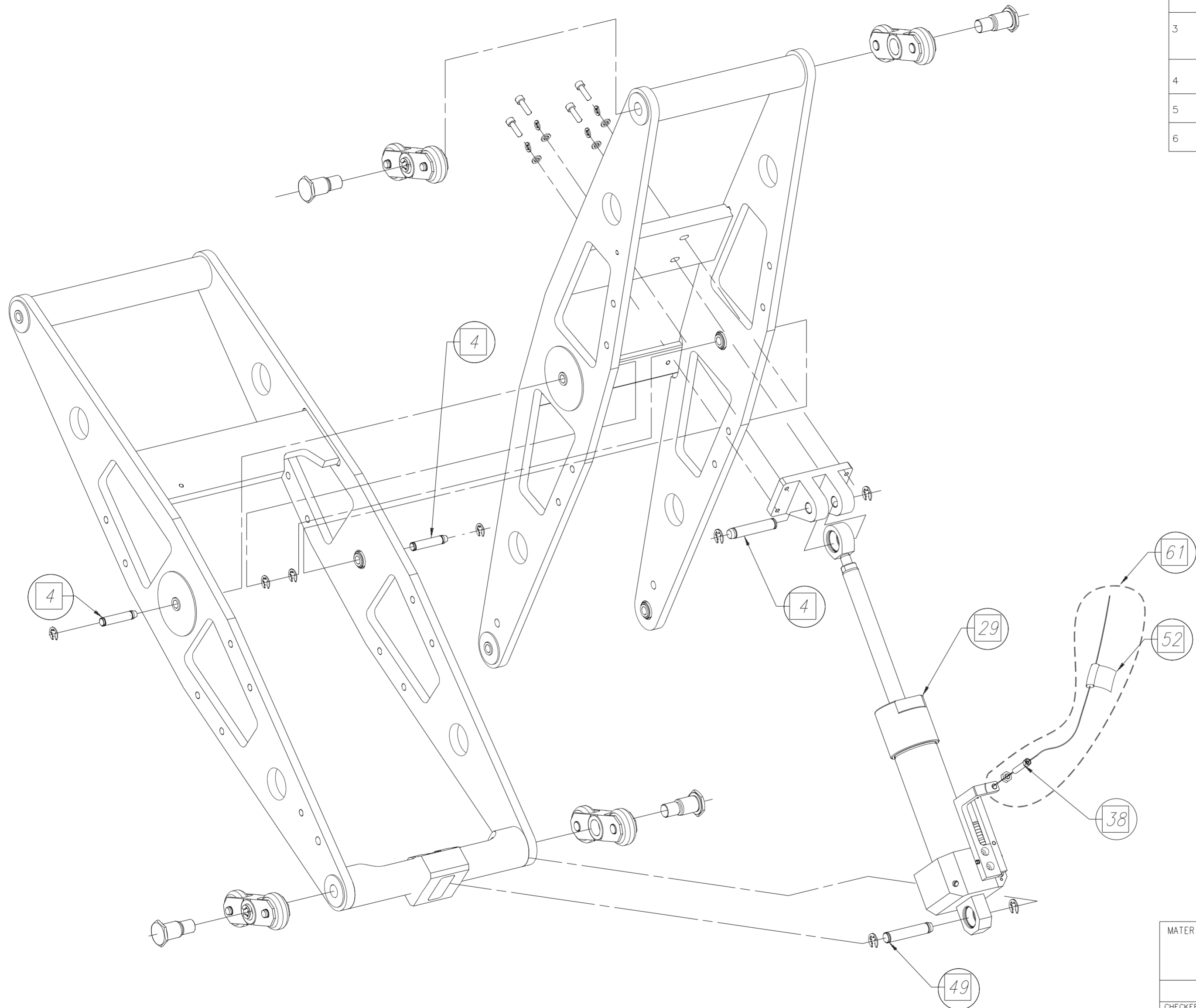
PHYSICAL ID:

This document is the property of GE Medical Systems. It can neither be reproduced, nor be communicated to the third party without written permission from specially mandated person from the company.

MATERIAL:		FINISH:		SURFACE ROUGHNESS	
CHECKER		METRIC		THIRD ANGLE PROJECTION	
SOURCING		DIMENSIONS WITHOUT TOLERANCE INDICATION			
MFG		NOMINAL DIMENSION#			
ENG		PERMISSIBLE VARIATIONS			
DES		TITLE			
APPROVALS	YY/MM/DD	TABLE TOP ASM			REV
MADE BY NAREN	03/12/10	FIRST MADE FOR: SIGNA LX			6
ISSUED/CH PRASAD.SGV	03/12/10	GE Medical Systems			
		BANGALORE-INDIA			
		PAGE 11/12			

DOCUMENT MARKUP - FOR REFERENCE ONLY. See related Drawing Print for complete definition.

A
B
C
D
E
F
G
H

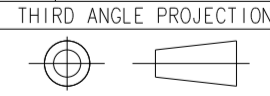


REVISIONS						
REV	QTY	MODIFIED BY	CHECKED BY	DATE	ECN/PCN NO.	DESCRIPTION
1	1	NARENDAR.V	PRASAD.SGV	03/12/19		INITIAL RELEASE.
2	1	KIRAN	ANAND	06/09/27		SIGNALITE AND HD _e FRU LIST UPDATED AND DETAIL FRU ASSY DRGS ADDED.
3	1	KIRAN	ANAND	06/12/15	2037659	FRU-KIT CRADLE ASSEMBLY-SIGNA LX TABLE (5151339) CHANGED TO CRADLE ASSEMBLY+PACKING(5177505).
4	1	KIRAN	ANAND	07/01/29	2039042	5132699 PUMP PART HAS BEEN REPLACED BY NEW PUMP PART 5135744.
5	1	KIRAN	ANAND	06DEC07	2051767	REFER TO REVISION HISTORY TAB.
6	1	KIRAN	ANAND	04MAY2009	2082976	PANEL ASSY LH(SL.NO 9) & RH(SL.NO 30) WITH NEW PANEL ASSY LH & RH FRU KIT

 - INDICATES FRU

PHYSICAL ID:

This document is the property of GE Medical Systems. It can neither be reproduced, nor be communicated to the third party without written permission from specially mandated person from the company.

MATERIAL:		FINISH:		SURFACE ROUGHNESS	
CHECKER		APPLIED PRACTICES		THIRD ANGLE PROJECTION	
SOURCING		46-316849			
MFG		DIMENSIONS WITHOUT TOLERANCE INDICATION			
ENG		NOMINAL DIMENSION#			
DES		PERMISSIBLE VARIATIONS			
APPROVALS		YY/MM/DD		TITLE	
MADE BY NAREN		03/12/05		VERTICAL DRIVE ASSY	
ISSUED/CH PRASAD SGV		03/12/05		FIRST MADE FOR: SIGNA LX	
				MOD CODE	
				REV 6	
				PAGE 12/12	
				GE Medical Systems BANGALORE-INDIA	

DOCUMENT MARKUP - FOR REFERENCE ONLY. See related Drawing Print for complete definition.