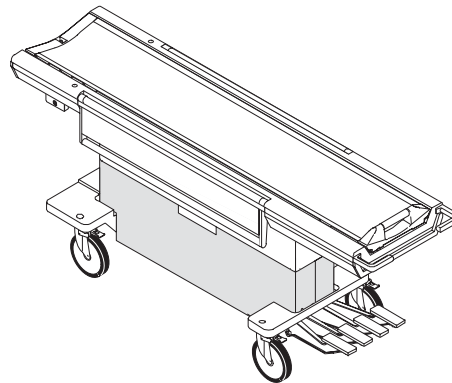


SECTION 3 – PATIENT TABLE

TABLE OF CONTENTS



<u>SECTION</u>	<u>PAGE</u>
3-1 HORIZON PATIENT TABLE	46-265300G1 ... 3-3
Contains information on Patient Table with original colors	
3-2 WideOpen PATIENT TABLE	46-265300G2 ... 3-3
Contains information on Patient Table with WideOpen colorS	
3-3 INFINITY PATIENT TABLE	46-265300G3 ... 3-3
Contains information on Patient Table with INFINITY colors	
HORIZON TABLE/BASE ASSEMBLY	2135993 3-5
WideOpen TABLE/BASE ASSEMBLY	2135993-2 3-6
INFINITY TABLE/BASE ASSEMBLY	2135993-3 3-7
Table Base Kit – Assembled View for 2127700, 2127700-2, and 2127700-3	3-8
Base Structure and Casters – Views 1 and 2	3-9
Down Pedal and Undock Pedal Linkages – Views 3 and 4	3-10
Dock, Pump and Up Pedal Linkages – Views 5 and 6	3-11
Scissors – View 7	3-12
Hydraulic Cylinder Area and Hook Area – Views 8 and 9	3-13
HORIZON TABLE BASE KIT	2127700 3-14
WideOpen TABLE BASE KIT	2127700-2 3-17
INFINITY TABLE BASE KIT	2127700-3 3-20
HYDRAULIC PUMP ASSEMBLY	46-265779G1 ... 3-23
HYDRAULIC CYLINDER ASM	46-265780G1 ... 3-24
HYDRAULIC CYLINDER ASM	2323995 3-24
DOCK HOOK MOUNTING ARM ASM	46-271676G1 ... 3-25

TABLE OF CONTENTS (continued)

<u>SECTION</u>	<u>PAGE</u>
PEDAL ASM, PUMP UP	46-271031G1 ... 3-26
PEDAL ASM, DOWN	46-271031G2 ... 3-26
PEDAL ASM, UNDOCK	46-271031G3 ... 3-27
PEDAL ASM, DOCK	46-271031G4 ... 3-27
UP INDICATOR ROD ASM	46-271916G1 ... 3-28
DOWN ROD ASM	46-271517G1 ... 3-28
TABLE TOP	2135992 3-30
TABLE TOP – INFINITY	2135992-2 3-31
TABLE TOP ASSEMBLY	46-265991G1 ... 3-33
TABLE LATCH ASSEMBLY	46-317191G1 ... 3-34
DETACHABLE, TELESCOPING IV SUPPORT	46-271551G1 ... 3-35
ARMBOARD ASSEMBLY	46-271012G1 ... 3-37
ARMBOARD ASSEMBLY – INFINITY	46-271012G2 ... 3-37
CRADLE ASSEMBLY ^w /TWIST TO RELEASE	46-301222G1 ... 3-39
FRONT SECTION ASSEMBLY	46-301543G1 ... 3-41
MID SECTION ASSEMBLY	46-301544G1 ... 3-41
HORIZON TABLE COVER KIT	2127699 3-42
WideOpen TABLE COVER KIT	2127699-2 3-42
INFINITY TABLE COVER KIT	2127699-3 3-42
OUTER COVER FOR MRTBL2	2145822 3-43
OUTER COVER FOR MRTBL2 – WideOpen	2145822-2 3-44
OUTER COVER FOR MRTBL2 – INFINITY	2145823 3-45

3-1 HORIZON PATIENT TABLE

PATIENT TABLE 46-265300G1 FRU N (PART OF BASIC SYSTEM SECTION 1)

Item	Part Number	FRU	Name	Quantity	Description (Remarks)
2	2135993	N	TABLE/BASE	1	TABLE/BASE ASSEMBLY (SEE PAGE 3-5)
3	46-301222G1	2	CRADLE ASM	1	CRADLE ASSEMBLY W/TWIST TO RELEASE (SEE PAGE 3-39)
4	2127699	N	TBL COVER KT	1	TABLE COVER KIT (SEE PAGE 3-42)

3-2 WideOpen PATIENT TABLE

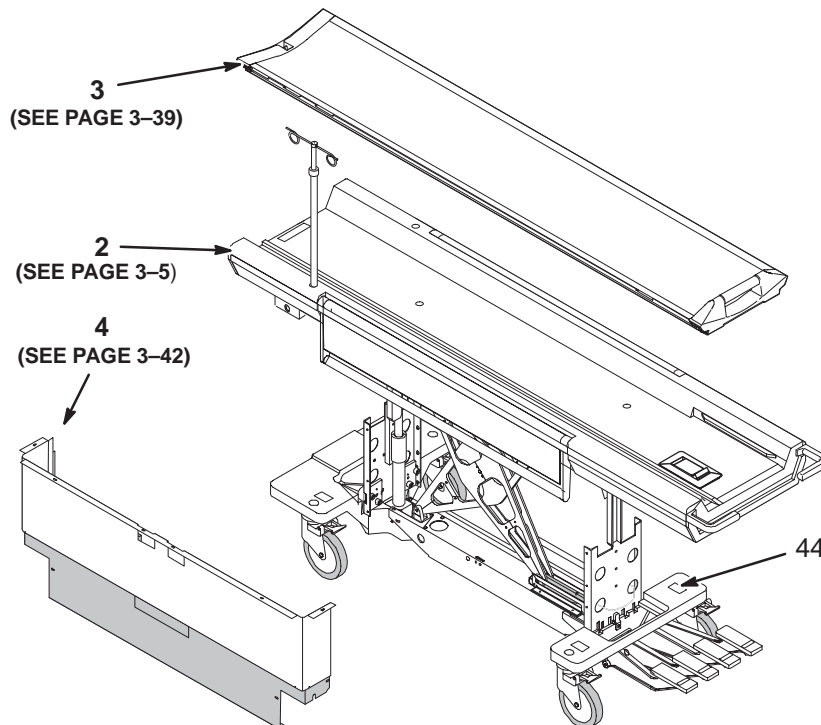
PATIENT TABLE – WideOpen COLOR 46-265300G2 FRU N (PART OF BASIC SYSTEM SECTION 1)

Item	Part Number	FRU	Name	Quantity	Description (Remarks)
2	2135993-2	N	TABLE/BASE	1	LCC TABLE/BASE ASSEMBLY (SEE PAGE 3-6)
3	46-301222G1	2	CRADLE ASM	1	CRADLE ASSEMBLY W/TWIST TO RELEASE (SEE PAGE 3-39)
4	2127699-2	N	TBL COVER KT	1	TABLE COVER KIT – WideOpen COLOR (SEE PAGE 3-42)

3-3 INFINITY PATIENT TABLE

PATINET TABLE – INFINITY COLOR 46-265300G3 FRU N (PART OF BASIC SYSTEM SECTION 1)

Item	Part Number	FRU	Name	Quantity	Description (Remarks)
2	2135993-3	N	TABLE/BASE	1	LCC TABLE/BASE ASSEMBLY INFINITY (SEE PAGE 3-7)
3	46-301222G4	2	CRADLE ASM	1	CRADLE ASSEMBLY W/TWIST – INFINITY (SEE PAGE 3-40)
4	2127699-3	N	TBL COVER KT	1	TABLE COVER KIT – LCC INFINITY COLOR (SEE PAGE 3-42)
44	5177278	N	PDM PART	4	CASTOR LABEL



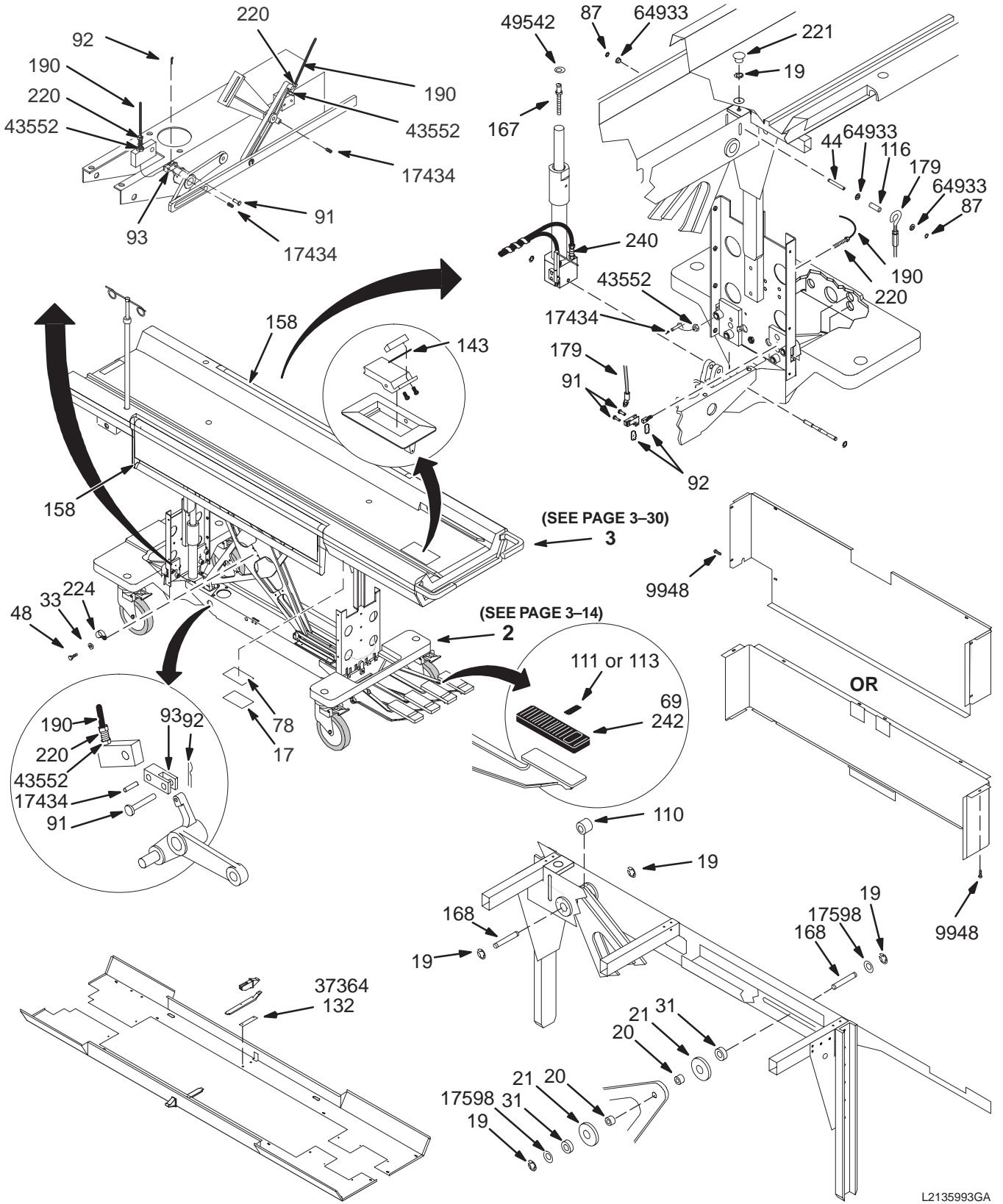
PATIENT TABLE

46-265300G1, G2, & G3

PT1

TABLE/BASE ASSEMBLY

2135993, 2135993-2, & 2133995-3



L2135993GA

HORIZON TABLE/BASE ASSEMBLY 2135993 FRU N (PART 2 OF 46-265300G1 PAGE 3-3)

Item	Part Number	FRU	Name	Quantity	Description (Remarks)
2	2127700	2	TBL BASE KIT	1	TABLE BASE KIT (SEE PAGE 3-14)
3	2135992	1	NEW TABLETOP	1	NEW OUTSOURCED TABLE TOP (SEE PAGE 3-30)
4	2136115	2	STICKER,ADHS	1	HOLE COVER STICKERS UFI
17	46-271554P1	2	WEAR STRIP	1	ROLLER TRACK, .015 THK STAINLESS STL
19	46-220277P23	2	RETAINING RI	5	EXT RADIAL MOUNT 0.375 SHAFT DIA
20	46-136342P23	2	BUSHING	2	BUSHING
21	46-265888P1	2	BAR	2	2" OD 3/8" ID X 7/16 LG BRASS
31	46-271562P1	2	SPACER	2	1" OD .390" HOLE, .4" THK, NYLON
44	46-265895P1	2	PIN	1	.187 DIA
69	46-265905P1	2	FOOT PAD	4	FOOT PEDAL PAD, RUBBER
78	46-170073P5	2	TAPE	AR	.002 THK X 2.0 WIDE X 60 YD ROLL
87	46-220277P27	2	RETAINING RI	2	EXT RADIAL MOUNT 0.188 SHAFT DIA
91	46-221304P7	2	PIN	1	0.188 DIA X 0.65 LENGTH, 303 SST
92	46-230434P2	2	PIN	1	0.047 WIRE DIA X 0.594 LG 302 SST
93	46-282216P1	2	CLEVIS,CABLE	1	1"X.44"X.38" .194 HOLE, BRASS
110	2297515	1	SPACER	1	ROUND SPACER
111	46-271125P1	2	LABEL	1	FOOT PAD "UP" AND "DOWN" LABEL SET
113	46-271126P1	2	LABEL	1	"DOCK" AND "UNDOCK"
116	46-230947P1	2	TUBING	AR	F-4040-A TYGON TUBING.
132	46-271774P1	2	GUIDE STRIP	2	GUIDE STRIP BACKING PLATE, .06 SST
143	46-255966P1	2	SHIM	2	1-7/8" X 0.6", .010 THICK BRASS
158	46-271012G1	2	ARMBOARD ASM	2	ARMBOARD ASSEMBLY (SEE PAGE 3-37)
167	46-271028P1	2	ADJUST SCREW	1	HYDRAULIC CYLINDER TO TABLE TOP
168	46-265887P2	2	BAR	2	CENTER 3/8" DIA SCISSORS UPPER ENDS
179	46-271921P1	2	CABLE	1	HYDR CYL CABLE, FITTINGS BOTH ENDS
190	46-256080P1	2	TUBING	AR	CABLE,PUSH PULL,NYLON,MOLYBDENUM
220	46-271512P1	2	ADJ SCREW	3	ADJUSTMENT SCREW
220A	2389561	1	ADJUSTMENT S	1	ADJUSTMENT SCREW
221	46-256049P16	2	CAP/PLUG	1	HOLE DIA 1.000 MAX THK .1719
223	46-208758P5	2	TY-RAP	4	SELF LOCKING CABLE TIE
224	46-208713P10	2	CLAMP OR CLI	3	CLAMP OR CLIP
236	46-256047P1	2	CHEMICAL	AR	MOBILTEMP SHC 32 14 OZ CARTRIDGE
240	46-307878G1	2	FILTER KIT	1	HYDRAULIC OIL FILTER AND GASKET
9948	46-208560P123	2	SCREW	27	SCREW
17434	46-221560P3	2	SCREW	3	SCREW
17598	1000904P502	2	WASHER	2	0.406 ID, 1" OD, .062 THK NYLON
37364	46-208560P102	2	SCREW	4	SCREW, 10-32 X 5/8 BHMS, SS
43552	46-208945P3	2	NUT	3	1/4-28, .438 HEX X .219 THK, BRASS
49542	46-208601P25	2	WASHER	1	3/8" SCREW, INTERNAL TOOTH PHOS BRZ
64933	1000904P425	2	WASHER	6	0.2 ID, 0.5 OD, .04 THK, B11H89C

WideOpen TABLE/BASE ASSEMBLY 2135993-2 FRU N

(PART 2 OF 46-265300G2 PAGE 3-3)

Item	Part Number	FRU	Name	Quantity	Description (Remarks)
2	2127700-2	2	TBL BASE KIT	1	TABLE BASE KIT – LCC (SEE PAGE 3-17)
3	2135992	1	NEW TABLETOP	1	NEW OUTSOURCED TABLE TOP (SEE PAGE 3-30)
4	2136115	2	STICKER,ADHS	1	HOLE COVER STICKERS UFI
17	46-271554P1	N	WEAR STRIP	1	ROLLER TRACK, .015 THK STAINLESS STL
19	46-220277P23	2	RETAINING RI	5	EXT RADIAL MOUNT 0.375 SHAFT DIA
20	46-136342P23	2	BUSHING	2	BUSHING
21	46-265888P1	2	BAR	2	2" OD 3/8" ID X 7/16 LG BRASS
31	46-271562P1	2	SPACER	2	1" OD .390" HOLE, .4" THK, NYLON
44	46-265895P1	2	PIN	1	.187 DIA
69	46-265905P1	2	FOOT PAD	4	FOOT PEDAL PAD, RUBBER
78	46-170073P5	N	TAPE	AR	.002 THK X 2.0 WIDE X 60 YD ROLL
87	46-220277P27	2	RETAINING RI	2	EXT RADIAL MOUNT 0.188 SHAFT DIA
91	46-221304P7	2	PIN	1	0.188 DIA X 0.65 LENGTH, 303 SST
92	46-230434P2	2	PIN	1	0.047 WIRE DIA X 0.594 LG 302 SST
93	46-282216P1	2	CLEVIS,CABLE	1	1"X.44"X.38" .194 HOLE, BRASS
110	2297515	1	SPACER	1	ROUND SPACER
111	46-271125P1	2	LABEL	1	FOOT PAD "UP" AND "DOWN" LABEL SET
113	46-271126P1	2	LABEL	1	"DOCK" AND "UNDOCK"
116	46-230947P1	2	TUBING	AR	F-4040-A TYGON TUBING.
132	46-271774P1	2	GUIDE STRIP	2	GUIDE STRIP BACKING PLATE, .06 SST
143	46-255966P1	2	SHIM	2	1-7/8" X 0.6", .010 THICK BRASS
158	46-271012G1	2	ARMBOARD ASM	2	ARMBOARD ASSEMBLY (SEE PAGE 3-37)
167	46-271028P1	2	ADJUST SCREW	1	HYDRAULIC CYLINDER TO TABLE TOP
168	46-265887P2	2	BAR	2	CENTER 3/8" DIA SCISSORS UPPER ENDS
179	46-271921P1	2	CABLE	1	HYDR CYL CABLE, FITTINGS BOTH ENDS
190	46-256080P1	2	TUBING	AR	CABLE,PUSH PULL,NYLON,MOLYBDENUM
220	46-271512P1	2	ADJ SCREW	3	ADJUSTMENT SCREW
220A	2389561	1	ADJUSTMENT S	1	ADJUSTMENT SCREW
221	46-256049P16	2	CAP/PLUG	1	HOLE DIA 1.000 MAX THK .1719
223	46-208758P5	2	TY-RAP	4	SELF LOCKING CABLE TIE
224	46-208713P10	2	CLAMP OR CLI	3	CLAMP OR CLIP
236	46-256047P1	2	CHEMICAL	AR	MOBILTEMP SHC 32 14 OZ CARTRIDGE
240	46-307878G1	2	FILTER KIT	1	HYDRAULIC OIL FILTER AND GASKET
9948	46-208560P123	2	SCREW	27	SCREW
17434	46-221560P3	2	SCREW	3	SCREW
17598	1000904P502	2	WASHER	2	0.406 ID, 1" OD, .062 THK NYLON
37364	46-208560P102	2	SCREW	4	SCREW, 10-32 X 5/8 BHMS, SS
43552	46-208945P3	2	NUT	3	1/4-28, .438 HEX X .219 THK, BRASS
49542	46-208601P25	2	WASHER	1	3/8" SCREW, INTERNAL TOOTH PHOS BRZ
64933	1000904P425	2	WASHER	6	0.2 ID, 0.5 OD, .04 THK, B11H89C

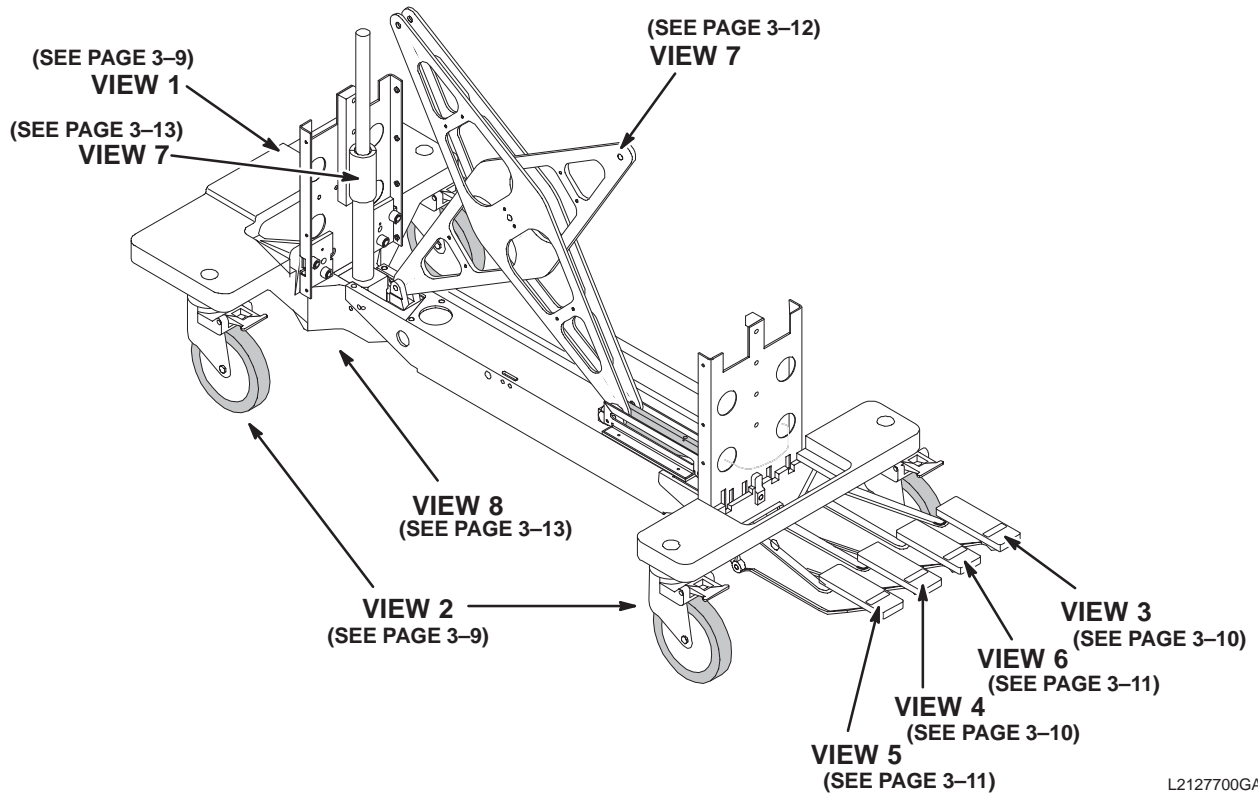
INFINITY TABLE/BASE ASM

2135993-3 FRU N

(PART 2 OF 46-265300G3 PAGE 3-3)

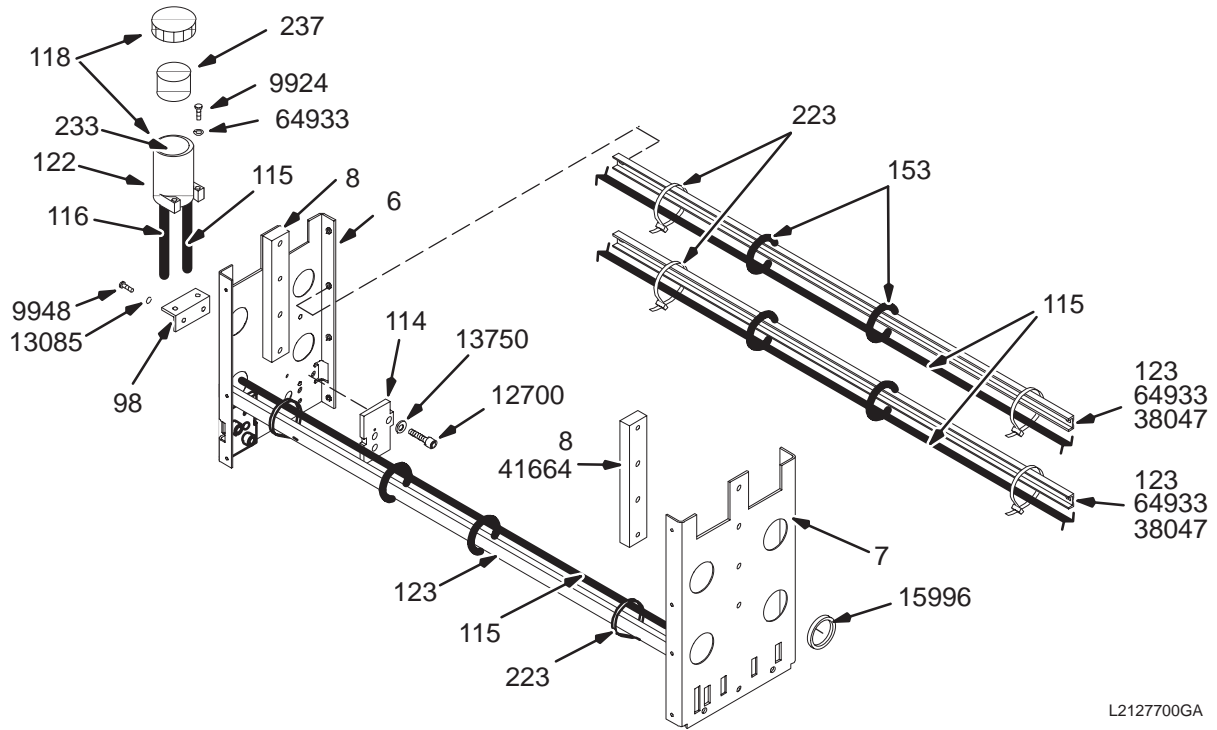
Item	Part Number	FRU	Name	Quantity	Description (Remarks)
2	2127700-3	N	TBL BASE KIT	1	TABLE BASE KIT – LCC/INFINITY (SEE PAGE 3-20)
3	2135992-2	1	NEW TABLETOP	1	TABLE TOP_INFINITY (SEE PAGE 3-31)
4	2136115	2	STICKER,ADHS	1	HOLE COVER STICKERS UFI
17	46-271554P1	N	WEAR STRIP	1	ROLLER TRACK, .015 THK STAINLESS STL
19	46-220277P23	2	RETAINING RI	5	EXT RADIAL MOUNT 0.375 SHAFT DIA
20	46-136342P23	2	BUSHING	2	BUSHING
21	46-265888P1	2	BAR	2	2" OD 3/8" ID X 7/16 LG BRASS
31	46-271562P1	2	SPACER	2	1" OD .390" HOLE, .4" THK, NYLON
44	46-265895P1	2	PIN	1	.187 DIA
69	46-265905P1	2	FOOT PAD	4	FOOT PEDAL PAD, RUBBER
78	46-170073P5	N	TAPE	AR	.002 THK X 2.0 WIDE X 60 YD ROLL
87	46-220277P27	2	RETAINING RI	2	EXT RADIAL MOUNT 0.188 SHAFT DIA
91	46-221304P7	2	PIN	1	0.188 DIA X 0.65 LENGTH, 303 SST
92	46-230434P2	2	PIN	1	0.047 WIRE DIA X 0.594 LG 302 SST
93	46-282216P1	2	CLEVIS,CABLE	1	1"X.44"X.38" .194 HOLE, BRASS
110	2297515	N	SPACER	1	ROUND SPACER
111	46-271125P1	2	LABEL	1	FOOT PAD "UP" AND "DOWN" LABEL SET
113	46-271126P1	2	LABEL	1	"DOCK" AND "UNDOCK"
116	46-230947P1	2	TUBING	AR	F-4040-A TYGON TUBING.
132	46-271774P1	2	GUIDE STRIP	2	GUIDE STRIP BACKING PLATE, .06 SST
143	46-255966P1	2	SHIM	2	1-7/8" X 0.6", .010 THICK BRASS
158	46-271012G2	1	ARMBOARD ASM	2	ARMBOARD ASM INFINITY COLOR (SEE PAGE 3-37)
167	46-271028P1	2	ADJUST SCREW	1	HYDRAULIC CYLINDER TO TABLE TOP
168	46-265887P2	2	BAR	2	CENTER 3/8" DIA SCISSORS UPPER ENDS
190	46-256080P1	2	TUBING	AR	CABLE,PUSH PULL,NYLON,MOLYBDENUM
220	46-271512P1	2	ADJ SCREW	3	ADJUSTMENT SCREW
220A	2389561	1	ADJUSTMENT S	1	ADJUSTMENT SCREW
221	46-256049P16	2	CAP/PLUG	1	HOLE DIA 1.000 MAX THK .1719
223	46-208758P5	2	TY-RAP	4	SELF LOCKING CABLE TIE
224	46-208713P10	2	CLAMP OR CLI	3	CLAMP OR CLIP
236	46-256047P1	2	CHEMICAL	AR	MOBILTEMP SHC 32 14 OZ CARTRIDGE
240	46-307878G1	2	FILTER KIT	1	HYDRAULIC OIL FILTER AND GASKET
9948	46-208560P123	2	SCREW	24	SCREW
17434	46-221560P3	2	SCREW	3	SCREW
17598	1000904P502	2	WASHER	2	0.406 ID, 1" OD, .062 THK NYLON
37364	46-208560P102	2	SCREW	7	SCREW, 10-32 X 5/8 BHMS, SS
43552	46-208945P3	2	NUT	3	1/4-28, .438 HEX X .219 THK, BRASS
49542	46-208601P25	2	WASHER	1	3/8" SCREW, INTERNAL TOOTH PHOS BRZ
64933	1000904P425	2	WASHER	6	0.2 ID, 0.5 OD, .04 THK, B11H89C

TABLE BASE KIT	2127700	(SEE PARTS LIST BEGINNING PAGE 3-14)
TABLE BASE KIT – WideOpen	2127700-2	(SEE PARTS LIST BEGINNING PAGE 3-17)
TABLE BASE KIT – INFINITY	2127700-3	(SEE PARTS LIST BEGINNING PAGE 3-20)



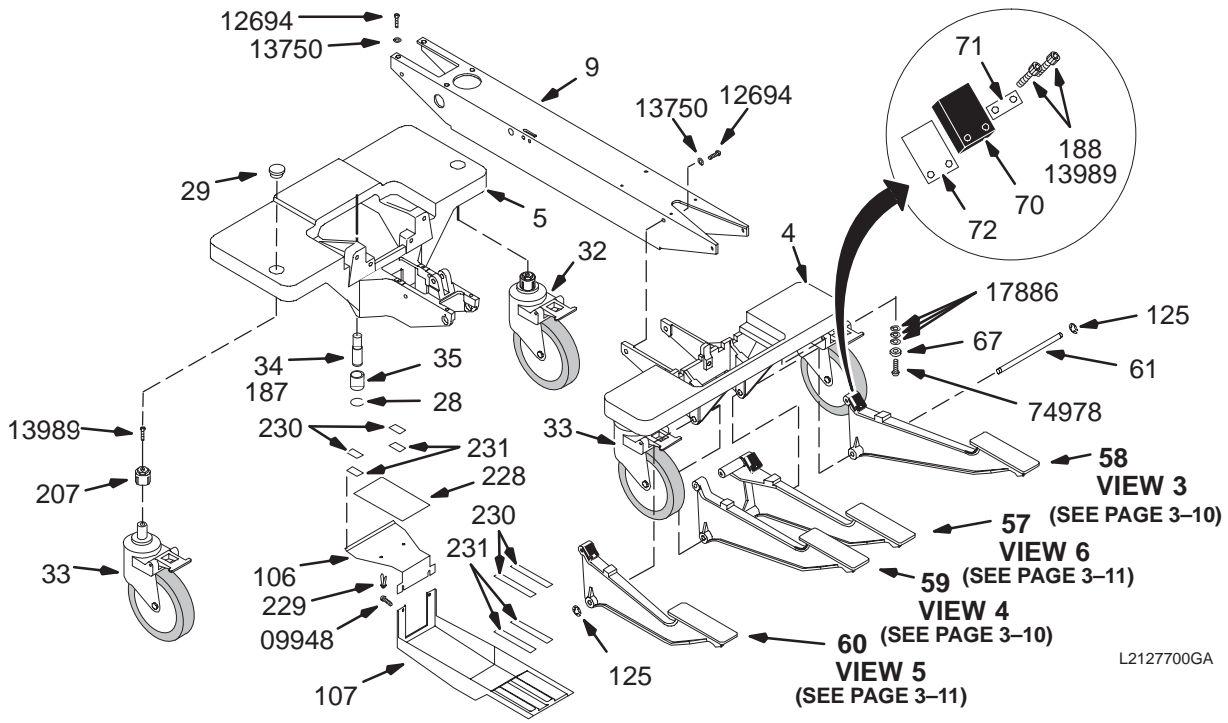
ASSEMBLED VIEW

PATIENT TRANSPORT – BASE STRUCTURE AND CASTERS



L2127700GA

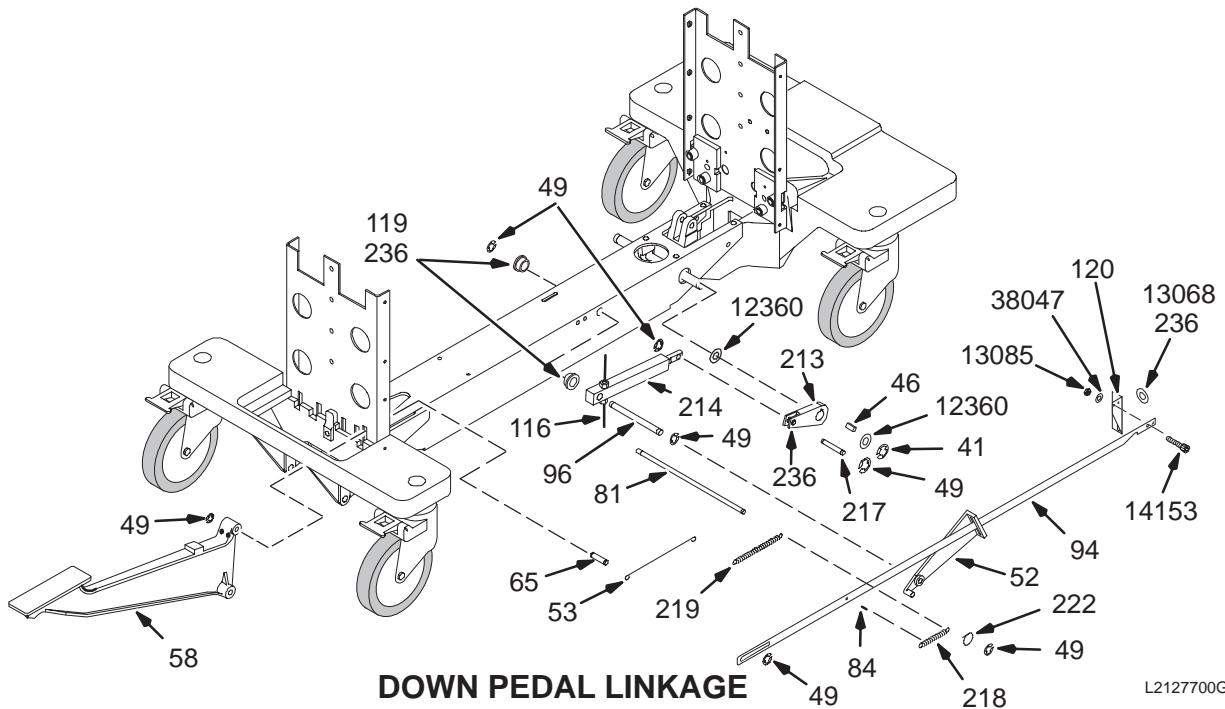
2127700 – VIEW 1



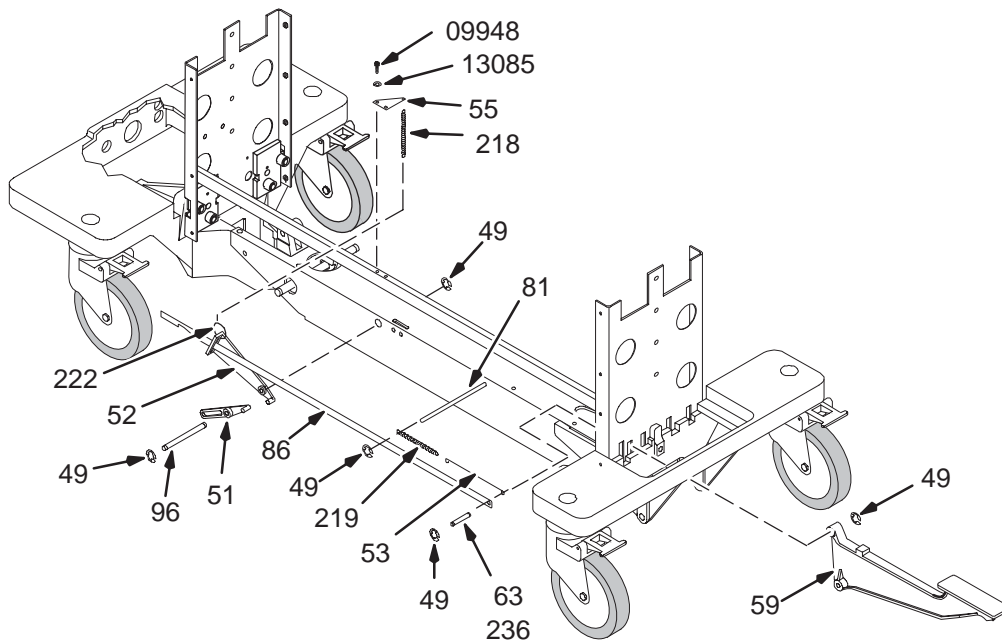
L2127700GA

2127700 – VIEW 2

PATIENT TRANSPORT – DOWN PEDAL AND UNDOCK PEDAL LINKAGES



2127700 – VIEW 3

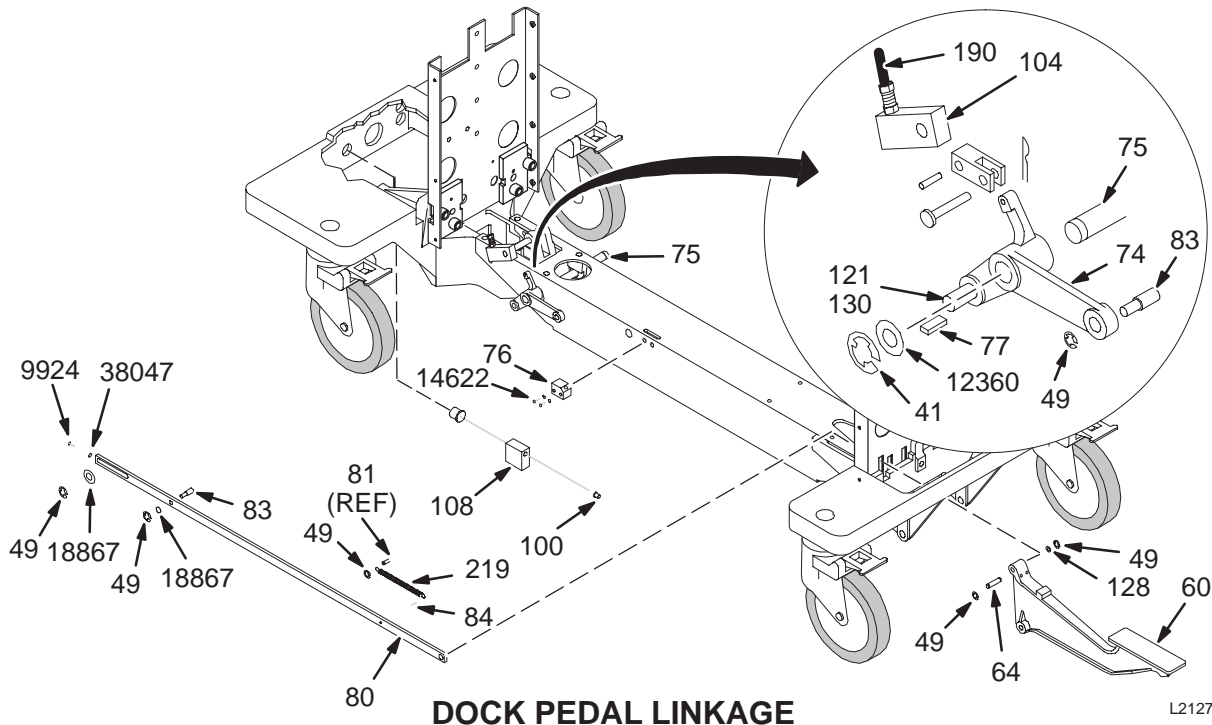


UNDOCK PEDAL LINKAGE

L2127700GA

2127700 – VIEW 4

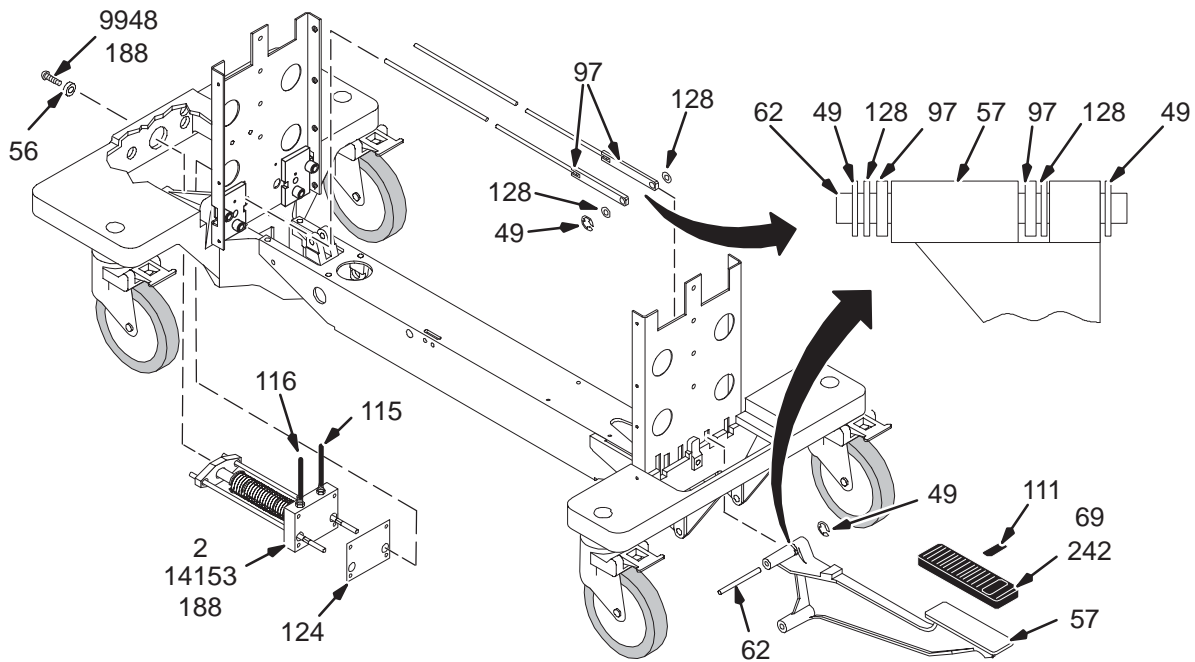
PATIENT TRANSPORT – DOCK, PUMP AND UP PEDAL LINKAGES



DOCK PEDAL LINKAGE

L2127700GA

2127700 – VIEW 5

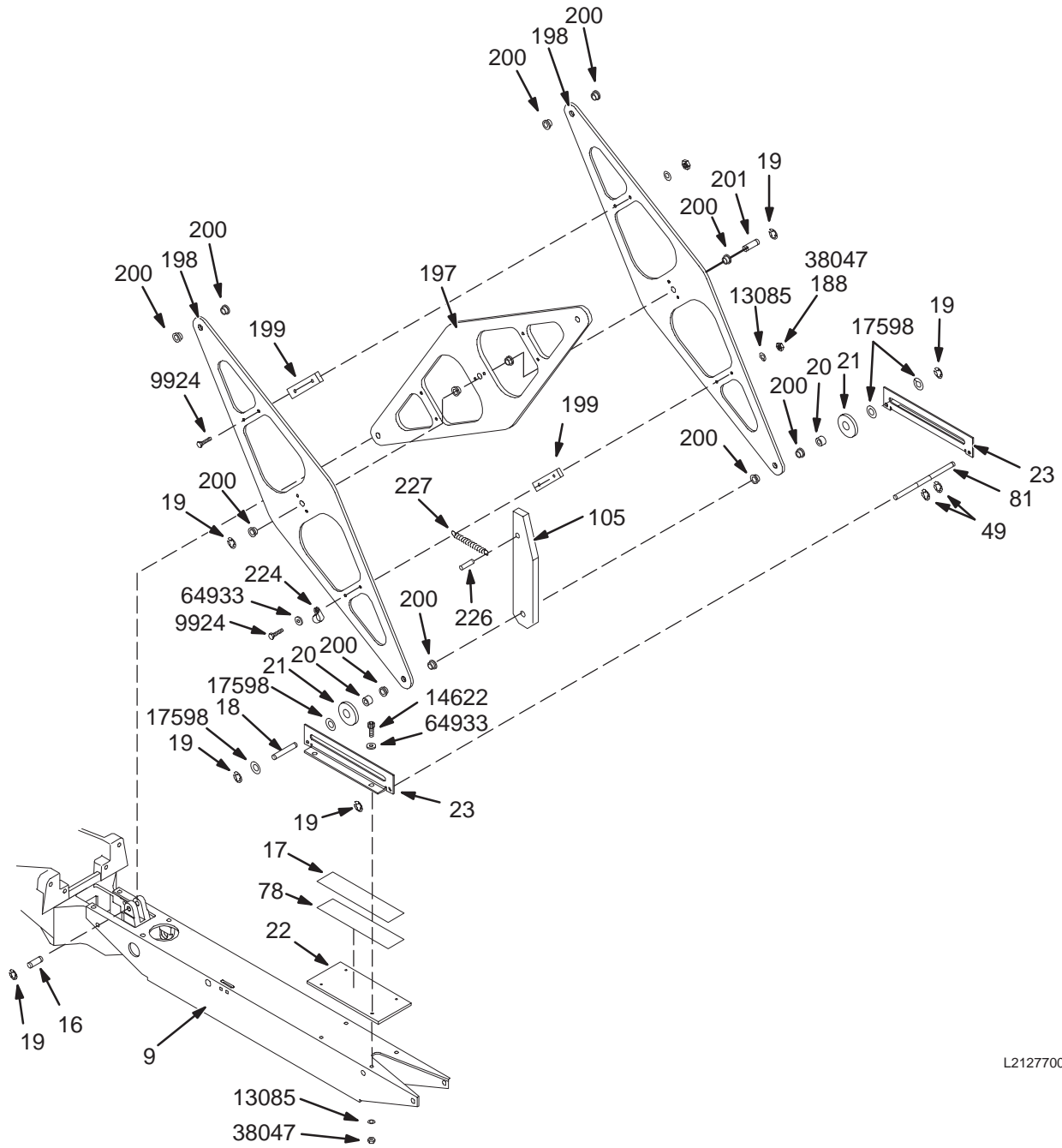


PUMP AND UP PEDAL LINKAGE

L2127700GA

2127700 – VIEW 6

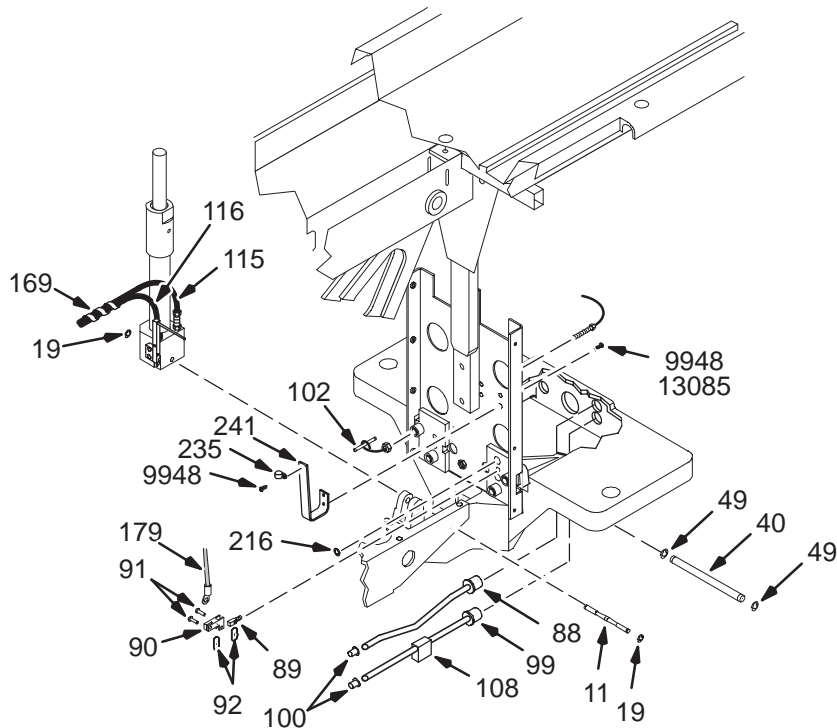
PATIENT TRANSPORT – SCISSORS



L2127700GA

2127700 – VIEW 7

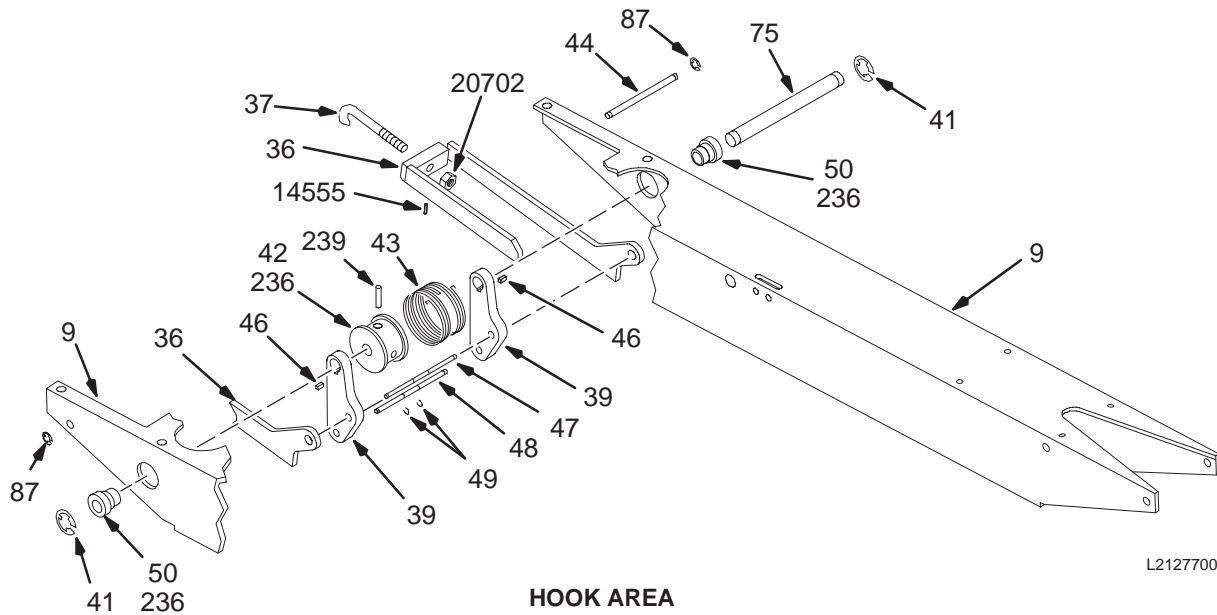
PATIENT TRANSPORT – HYDRAULIC CYLINDER AREA AND HOOK AREA



L2127700GA

HYDRAULIC CYLINDER AREA

2127700 – VIEW 8



L2127700GA

HOOK AREA

2127700 – VIEW 9

TABLE BASE KIT – HORIZON

2127700 FRU 2

(PART 2 OF 2135993 PAGE 3-5)

Item	Part Number	FRU	Name	Quantity	Description (Remarks)
2A	2323992	2	PUMP ASM	1	PUMP ASSEMBLY (SEE PAGE 3-23)
2B	46-265779G1	2	PUMP ASM	ALT	HYDRAULIC PUMP ASSEMBLY (SEE PAGE 3-23)
3A	2323995	2	CYLINDER ASM	1	CYLINDER ASSEMBLY (SEE PAGE 3-24)
3B	46-265780G1	2	CYLINDER ASM	ALT	HYDRAULIC CYLINDER, TABLE ELEVATING (SEE PAGE 3-24)
4	46-265881P1	2	BASE CASTING	1	CHASSIS, FOOT END SUBSTRUCTURE
5	46-265882P1	2	BASE CASTING	1	CHASSIS, HEAD END DOCK ABUTMENT
6	46-271230G1	2	FRT SUPPORT	1	1/8" ALUMINUM SHEET, HEAD END
7	46-271231G1	2	REAR SUPPORT	1	1/8 ALUMINUM SHEET, FOOT END
8	46-271232P1	2	SLIDE	2	WHITE DELRIN
9	2297495	1	CHANNEL	1	RAIL – SQUARE TUBE
11	46-271966P1	2	PIN,CYL MNT	1	CYLINDER MOUNTING PIN .437"OD X 4.34
16	46-271193P1	2	BAR	1	LOWER FIXED SCISSOR PIVOT
17	46-271554P1	2	WEAR STRIP	1	ROLLER TRACK, .015 THK STAINLESS STL
18	46-265887P6	2	BAR	1	LOWER SCISSOR ROLLER SHAFT
19	46-220277P23	2	RETAINING RI	10	EXT RADIAL MOUNT 0.375 SHAFT DIA
20	46-136342P23	2	BUSHING	2	BUSHING
21	46-265888P1	2	BAR	2	2" OD 3/8" ID X 7/16 LG BRASS
22	2297497	1	PLATE	1	ROLLER TRACK PLATE
23	46-265890P1	2	BRACKET	2	SCISSOR
28	46-220270P9	2	RETAINING RI	2	EXT AXIAL MOUNT 0.750 SHAFT DIA
29	46-271895P1	2	CAP, THREAD	4	THREADED CASTER-MOUNTING CAP
32A	46-282918P1	2	CASTER	1	CASTER W/FOOT OPERATED SWIVEL LOCK
33A	46-282919P1	2	CASTER	3	CASTER W/FOOT OPERABLE WHEEL BRAKE
34	46-265906P1	2	ROLLER SHAFT	2	DOCKING GUIDE ROLLER SHAFT, BRASS
35	46-244996P1	2	BUSHING	2	BUSHING
36	46-271676G1	2	ARM ASM	1	DOCK HOOK MOUNTING ARM WLDMNT ASM (SEE PAGE 3-25)
37	46-265892P1	2	HOOK	1	DOCK HOOK, 3/8-24 THD, SST, HARDENED
39	2297498	2	PART	2	LINK LEVER
40	46-271195P2	2	.312 PIN,SST	1	HOOK STOP, 7.75"LG, GROOVES @ 7.57"
41	46-220277P24	2	RETAINING RI	2	EXT RADIAL MOUNT 0.625 SHAFT DIA
42	2297499	2	PART	1	SPRING DRUM
43	46-271124P1	2	SPECIAL SPRI	1	SPRING
44	46-265895P1	2	PIN	1	.187 DIA
46	46-271235P2	2	SQ KEY	3	1/16" SQ, .44 LONG, BRASS
47	46-271195P11	2	.312 PIN,SST	1	DOCK HOOK PIVOT, 2.97"LONG
48	46-271195P1	2	.312 PIN,SST	1	DOCK PIVOT, 1.21"LG, GROOVES @ 2.94"
49	46-220277P22	2	RETAINING RI	24	EXT RADIAL MOUNT 0.312 SHAFT DIA
50	46-265896P1	2	BUSHING	2	SPECIAL
51	46-265897P1	N	LINK LEVER	1	PLASTIC
52	46-265898P1	2	LINK LEVER	1	PLASTIC
53	46-265899P1	2	SPRING EXTEN	2	6.7" LONG, .081 SST SPRING WIRE
55	46-271587P1	2	BRACKET	1	2.19" X 1.5" GUSSET, .081 ALUM
56	46-271141P1	2	BUMPER	1	1.5" DIA, ALUM, BLACK ANODIZE
57	46-271031G1	2	PEDAL ASM	1	PEDAL ASM, PUMP UP (SEE PAGE 3-26)
58	46-271031G2	2	PEDAL ASM	1	PEDAL ASM, DOWN (SEE PAGE 3-26)
59	46-271031G3	2	PEDAL ASM	1	PEDAL ASM, UNDOCK (SEE PAGE 3-27)
60	46-271031G4	2	PEDAL ASM	1	PEDAL ASM, DOCK (SEE PAGE 3-27)
61	46-271510P1	2	BAR	1	SHAFT FOR PEDALS
62	46-271195P5	2	.312 PIN,SST	1	UP PEDAL
63	46-271195P6	2	.312 PIN,SST	1	UNDOCK, 1.22"LG, GROOVES @ 1.039"

Parts List Continued On Next Page

TABLE BASE KIT – HORIZON

2127700 FRU 2

(CONT'D FROM PREVIOUS PAGE)

Item	Part Number	FRU	Name	Quantity	Description (Remarks)
64	46-271195P7	2	.312 PIN,SST	1	DOCK PEDAL
65	46-271195P8	2	.312 PIN,SST	1	DOWN, 1.46"LG, GROOVES @ 1.284"
67	46-256127P1	2	BUMPER	4	ATLANTIC INDIA #1392 80 DUROMETER
70	46-271771P1	2	PAD	3	PAD, _NEOPRENE RUBBER PEDAL BUMPER.
71	46-271772P1	2	BACK PLT	3	BUMPER BACKING PLATE 1"X.5" .060 SST
72	46-271772P2	2	BACK PLT	9	BUMPER BACKING PLATE 1"X1.5" .06 SST
74	46-265907P1	2	LINK LEVER	1	CASTING
75	46-265908P1	2	BAR	1	.625 DIA
76	46-271163P1	2	CABLE BRKT	1	1.25"X1"X.88" ALUMINUM BLOCK
77	46-271235P3	2	SQ KEY	1	1/16" SQ, .62 LONG, BRASS
78	46-170073P5	2	TAPE	AR	.002 THK X 2.0 WIDE X 60 YD ROLL
80	46-265910P1	2	LINK DOCK	1	38.3" LONG .25"X.75" ALUM BAR
81	46-271194P1	2	BAR	1	.312"DIA 6.88" LONG, SST
83	46-271161P1	2	PIN	2	.375"& .312" DIA, 1.17"LG, SST
84	46-136393P147	2	PIN	2	MECHANICAL/MATERIAL COMP
86	2297500	1	PART	1	LINK UNDOCK
87	46-220277P27	2	RETAINING RI	2	EXT RADIAL MOUNT 0.188 SHAFT DIA
88	46-271916G1	2	PUSH ROD ASM	1	UP INDICATOR ROD ASSEMBLY (SEE PAGE 3-28)
89	46-271914P1	2	PIVOT STUD	1	1/4-28 THREAD, .194 HOLE, BRASS
90	46-271913P1	2	BELLCRANK	1	BRASS
91	46-221304P7	2	PIN	2	0.188 DIA X 0.65 LENGTH, 303 SST
92	46-230434P2	2	PIN	2	0.047 WIRE DIA X 0.594 LG 302 SST
94	2297473	1	BAR	1	LINK DOWN
96	46-271192P1	2	BAR	1	.312"DIA, 6.45"LG, .125 KEYWAY, SST
97	46-271220G1	2	LINK ASM	2	UP PEDAL
98	46-265911G1	2	RESERVOIR BK	1	MOUNTING BRACKET
99	46-271517G1	2	DOWN ROD ASM	1	14.13" LONG ALUM ROD W/BUMPER (SEE PAGE 3-28)
100	46-208695P89	2	BUSHING	3	HEYCO PART NO.2017 SB-375-281
102	46-271516G1	2	PUSH ROD ASM	1	RIGHT ACTUATOR
104	46-271162P1	2	CABLE HUB	1	2.12"X1.19", .5" THK ALUM BAR
105	46-271765P1	2	LOCK BAR	1	TABLE LOCK SAFETY BAR
106	46-271766P1	2	DRIP PAN	1	UPPER DRIP PAN
107	46-271969P1	2	DRIP PAN	1	LOWER DRIP PAN
108	46-271762P1	2	BLOCK	2	FOR PUSH ROD ASSEMBLY
114	46-271133P1	2	PLATE,BACKUP	2	3/75"X 2.65" .375 THK ALUM
115	46-271208P1	2	HOSE	1	GREAT LAKES RUBBER
116	46-230947P1	2	TUBING	6	F-4040-A TYGON TUBING.
118	46-271127P1	2	RESERVOIR	1	MOLDED PLASTIC W/CAP & RUBBER GASKET
119	46-271134P1	2	BUSHING	2	1" & .562"OD, .316"ID X.5", BRASS
120	2309556	2	PLASTIC	1	DOWN BRACKET
121	46-271195P4	2	.312 PIN,SST	1	LINK PIVOT, 0.89"LG, GROOVES @ .709"
122	46-317179P1	2	CLAMP	2	SQUEEZE-SHUT RATCHET-LATCH, 1/2" DIA
123	46-271489P1	2	BRACKET	3	41.56" LONG, 1"X.5" U-CHANNEL ALUM
124	46-271509P1	2	GASKET	1	3.88"X2.24" .032"THK NITRILE RUBBER
125	46-220277P18	2	RETAINING RI	2	EXT RADIAL MOUNT 0.500 SHAFT DIA
128	46-136342P131	2	BUSHING	3	BUSHING
130	46-282440P1	2	BUSHING	1	.442"OD .314"ID, .25"THK, BRONZE
153A	46-170209P1	2	TAPE	AR	0.034 X 1.00 X 100 FT
153B	46-256136P1	2	ADHESIVE	ALT	ADHESIVE
169	46-230653P4	2	TUBING	AR	SPIRALLY CUT POLYETHYLENE 0.500 OD

Parts List Continued On Next Page

TABLE BASE KIT – HORIZON

2127700 FRU 2

(CONT'D FROM PREVIOUS PAGE)

Item	Part Number	FRU	Name	Quantity	Description (Remarks)
179	46-271921P1	2	CABLE	1	HYDR CYL CABLE, FITTINGS BOTH ENDS
187	46-230957P1	2	ADHESIVE	AR	LOCTITE 680, 50ML BOTTLE
188	46-170686P1	2	ADHESIVE	AR	LOCTITE 242, 0.5CC TUBE
197	2297775	N	PART	1	SCISSORS CENTRE
198	2297776	N	PART	2	SCISSORS OUTER
199	2297496	2	SPACER	2	SPACER
200	46-136342P128	2	BUSHING	12	BUSHING
201	46-265887P1	2	BAR	1	3/8" DIA. CENTER SCISSOR PIVOT
207	46-271761P1	2	CAST BUSHING	4	CASTER BUSHING, TAPERED ID, BRASS
213	46-271573P1	2	ACTUATOR	1	CLEVIS ARM W/KEYED HOLE, ALUM
214	46-271576G1	2	CYLINDER ASM	1	MECHANICAL LINKAGE
215	5111101	2	OUT OF CATAL	1.0	WASHER-ID 0.336, OD 0.75, THK .064,
216	46-220277P19	2	RETAINING RI	3	EXT RADIAL MOUNT 0.250 SHAFT DIA
217	46-271195P10	2	.312 PIN,SST	1	LINK PIVOT, 0.76"LG, GROOVES @ .579"
218	46-170490P59	2	SPRING-INCH	2	SPRING-INCH EXTENSION 2.75 INCHES .2
219	46-170490P60	2	SPRING-INCH	3	SPRING-INCH EXTENSION 4.5 INCHES .5
222	46-208758P1	2	TY-RAP	2	3.62" X .094" CABLE TIE
223	46-208758P5	2	TY-RAP	20	SELF LOCKING CABLE TIE
224	46-208713P10	2	CLAMP OR CLI	1	CLAMP OR CLIP
226	46-208735P7	2	PIN	1	SPIROL .094 NOM DIA X 0.500 LG
227	46-170490P38	2	SPRING-INCH	1	SPRING-INCH EXTENSION 2.5 INCHES .25
228	46-256102P1	2	FOAM	AR	POLYURETHANE WICKING FOAM.
229	46-271925P1	2	FASTENER	2	BRASS, 1/2" FASTENER TABS
230	46-136246P11	2	TAPE	AR	5/8" WIDE, BLK ADH BACK, VELCRO HOOK
231	46-136246P12	2	TAPE	AR	0.625 WIDE X 25 YD,BLK,ADH BACK,LOOP
233	46-230006P2	2	CHEMICAL	AR	HYDRAULIC LUBRICATING OIL.
235	46-208713P1	2	CLAMP OR CLI	1	CLAMP OR CLIP
236	46-256047P1	2	CHEMICAL	AR	MOBILTEMP SHC 32 14 OZ CARTRIDGE
237	46-271946P1	2	HARDWARE	1	HARDWARE
239	46-208735P58	2	PIN	1	SPLIT LENGTHWISE .187 DIA X 1.000 LG
241	46-271963P1	2	BRACKET	1	ALUMINUM FORMED J-BRACKET, IRIDITE
9924	46-221922P7	2	SCREW	7	SCREW
9948	46-208560P123	2	SCREW	9	SCREW
12360	1000904P498	2	WASHER	3	0.635 ID, 1" OD, .125 THICK ALUMINUM
12694	46-208737P47	2	SCREW	11	SCREW
12700	46-208737P48	2	SCREW	4	SCREW
13068	1000904P41	2	WASHER	1	0.266 ID, 0.75 OD, .064 THK BRASS
13085	46-220196P3	2	WASHER	15	WASHER, #10 SCREW SIZE (0.190), SST
13750	46-256081P6	2	WASHER	15	3/8" SCREW SIZE, HI-COLLAR
13989	46-208737P28	2	SCREW	10	SCREW CAP HEX SOCKET HD 10-32 X .75
14153	46-208737P13	2	SCREW	5	SCREW
14555	46-208563P90	2	SCREW	1	SCREW
14622	46-208737P20	2	SCREW	6	SCREW
15966	46-208695P85	2	BUSHING	6	HEYCO PART NO.2400 SB-2000-26 BLACK
17598	1000904P502	2	WASHER	4	0.406 ID, 1" OD, .062 THK NYLON
17886	1000904P504	2	WASHER	12	0.145 ID, 0.625 OD, .02 THK BRASS
18867	12-280	2	WASHER	2	ID 0.336, OD 0.75, THK .064, BRASS
20702	46-256193P9	2	NUT	1	3/8-24 HEX 0.564 HT .453 RING TYPE
38047	46-208938P5	2	NUT	17	10-32, 3/8" HEX X .130 THK, 18-8 SST
41664	46-208932P7	2	SCREW	8	SCREW
64933	1000904P425	2	WASHER	14	0.2 ID, 0.5 OD, .04 THK, B11H89C
74978	46-208560P111	2	SCREW	4	SCREW 6-32 X 5/8 SS

Parts List Continued On Next Page

TABLE BASE KIT – WideOpen 2127700–2 FRU 2 (PART 2 OF 2135993–2 PAGE 3–6)

Item	Part Number	FRU	Name	Quantity	Description (Remarks)
2	2323992	2	PUMP ASM	1	PUMP ASSEMBLY (SEE PAGE 3–23)
3	2323995	2	CYLINDER ASM	1	CYLINDER ASSEMBLY (SEE PAGE 3–24)
4	46–265881P2	2	BASE CASTING	1	CHASSIS, FOOT END SUBSTRUCTURE
5	46–265882P2	2	BASE CASTING	1	CHASSIS, HEAD END DOCK ABUTMENT,
6	46–271230G1	2	FRT SUPPORT	1	1/8" ALUMINUM SHEET, HEAD END
7	46–271231G1	2	REAR SUPPORT	1	1/8 ALUMINUM SHEET, FOOT END
8	46–271232P1	2	SLIDE	2	WHITE DELRIN
9	2297495	N	CHANNEL	1	RAIL – SQUARE TUBE
11	46–271966P1	2	PIN,CYL MNT	1	CYLINDER MOUNTING PIN .437"OD X 4.34
16	46–271193P1	2	BAR	1	LOWER FIXED SCISSOR PIVOT
17	46–271554P1	2	WEAR STRIP	1	ROLLER TRACK, .015 THK STAINLESS STL
18	46–265887P6	2	BAR	1	LOWER SCISSOR ROLLER SHAFT
19	46–220277P23	2	RETAINING RI	10	EXT RADIAL MOUNT 0.375 SHAFT DIA
20	46–136342P23	2	BUSHING	2	BUSHING
21	46–265888P1	2	BAR	2	2" OD 3/8" ID X 7/16 LG BRASS
22	2297497	N	PLATE	1	ROLLER TRACK PLATE
23	46–265890P1	2	BRACKET	2	SCISSOR
28	46–220270P9	2	RETAINING RI	2	EXT AXIAL MOUNT 0.750 SHAFT DIA
29	46–271895P1	2	CAP, THREAD	4	THREADED CASTER–MOUNTING CAP
32A	46–282918P1	2	CASTER	1	CASTER W/FOOT OPERATED SWIVEL LOCK
32B	46–271118P1	N	CASTER	ALT	REPLACE IN FIELD WITH 46–282918P1
33A	46–282919P1	2	CASTER	3	CASTER W/FOOT OPERABLE WHEEL BRAKE
33B	46–271119P1	N	CASTER	ALT	REPLACE IN FIELD WITH 46–282919P1
34	46–265906P1	2	ROLLER SHAFT	2	DOCKING GUIDE ROLLER SHAFT, BRASS
35	46–244996P1	2	BUSHING	2	BUSHING
36	46–271676G1	2	ARM ASM	1	DOCK HOOK MOUNTING ARM ASM (SEE PAGE 3–25)
37	46–265892P1	2	HOOK	1	DOCK HOOK, 3/8–24 THD, SST, HARDENED
39	2297498	N	PART	2	LINK LEVER
40	46–271195P2	2	.312 PIN,SST	1	HOOK STOP, 7.75"LG, GROOVES @ 7.57"
41	46–220277P24	2	RETAINING RI	2	EXT RADIAL MOUNT 0.625 SHAFT DIA
42	2297499	N	PART	1	SPRING DRUM
43	46–271124P1	2	SPECIAL SPRI	1	SPRING
44	46–265895P1	2	PIN	1	.187 DIA
46	46–271235P2	2	SQ KEY	3	1/16" SQ, .44 LONG, BRASS
47	46–271195P11	2	.312 PIN,SST	1	DOCK HOOK PIVOT, 2.97"LONG
48	46–271195P1	2	.312 PIN,SST	1	DOCK PIVOT, 1.21"LG, GROOVES @ 2.94"
49	46–220277P22	2	RETAINING RI	24	EXT RADIAL MOUNT 0.312 SHAFT DIA
50	46–265896P1	2	BUSHING	2	SPECIAL
51	2309554	2	PLASTIC	1	LINK LEVER
52	2309555	1	PLASTIC	2	LINK LEVER
53	46–265899P1	2	SPRING EXTEN	2	6.7" LONG, .081 SST SPRING WIRE
55	46–271587P1	2	BRACKET	1	2.19" X 1.5" GUSSET, .081 ALUM
56	46–271141P1	2	BUMPER	1	1.5" DIA, ALUM, BLACK ANODIZE
57	46–271031G5	2	PEDAL ASM	1	PUMP PEDAL ASM (SEE PAGE 3–26)
58	46–271031G6	2	PEDAL ASM	1	DOWN PEDAL ASM (SEE PAGE 3–26)
59	46–271031G7	2	PEDAL ASM	1	UNDOCK PEDAL ASM (SEE PAGE 3–27)
60	46–271031G8	2	PEDAL ASM	1	DOCK PEDAL ASM (SEE PAGE 3–27)
61	46–271510P1	2	BAR	1	SHAFT FOR PEDALS
62	46–271195P5	2	.312 PIN,SST	1	UP PEDAL
63	46–271195P6	2	.312 PIN,SST	1	UNDOCK, 1.22"LG, GROOVES @ 1.039"

Parts List Continued On Next Page

TABLE BASE KIT – WideOpen 2127700–2 FRU 2 (CONT'D FROM PREVIOUS PAGE)

Item	Part Number	FRU	Name	Quantity	Description (Remarks)
64	46–271195P7	2	.312 PIN,SST	1	DOCK PEDAL
65	46–271195P8	2	.312 PIN,SST	1	DOWN, 1.46"LG, GROOVES @ 1.284"
67	46–256127P1	2	BUMPER	4	ATLANTIC INDIA #1392 80 DUROMETER
70	46–271771P1	2	PAD	3	PAD, _NEOPRENE RUBBER PEDAL BUMPER.
71	46–271772P1	2	BACK PLT	3	BUMPER BACKING PLATE 1"X.5" .060 SST
72	46–271772P2	2	BACK PLT	9	BUMPER BACKING PLATE 1"X1.5" .06 SST
74	46–265907P1	2	LINK LEVER	1	CASTING
75	46–265908P1	2	BAR	1	.625 DIA
76	46–271163P1	2	CABLE BRKT	1	1.25"X1"X.88" ALUMINUM BLOCK
77	46–271235P3	2	SQ KEY	1	1/16" SQ, .62 LONG, BRASS
78	46–170073P5	2	TAPE	AR	.002 THK X 2.0 WIDE X 60 YD ROLL
80	46–265910P1	2	LINK DOCK	1	38.3" LONG .25"X.75" ALUM BAR
81	46–271194P1	2	BAR	1	.312"DIA 6.88" LONG, SST
83	46–271161P1	2	PIN	2	.375"& .312" DIA, 1.17"LG, SST
84	46–136393P147	2	PIN	2	MECHANICAL/MATERIAL COMP
86	2297500	1	PART	1	LINK UNDOCK
87	46–220277P27	2	RETAINING RI	2	EXT RADIAL MOUNT 0.188 SHAFT DIA
88	46–271916G1	2	PUSH ROD ASM	1	UP INDICATOR ROD ASSEMBLY (SEE PAGE 3–28)
89	46–271914P1	2	PIVOT STUD	1	1/4–28 THREAD, .194 HOLE, BRASS
90	46–271913P1	2	BELLCRANK	1	BRASS
91	46–221304P7	2	PIN	2	0.188 DIA X 0.65 LENGTH, 303 SST
92	46–230434P2	2	PIN	2	0.047 WIRE DIA X 0.594 LG 302 SST
94	2297473	1	BAR	1	LINK DOWN
96	46–271192P1	2	BAR	1	.312"DIA, 6.45"LG, .125 KEYWAY, SST
97	46–271220G1	2	LINK ASM	2	UP PEDAL
98	46–265911G1	2	RESERVOIR BK	1	MOUNTING BRACKET
99	46–271517G1	2	DOWN ROD ASM	1	14.13" LONG ALUM ROD W/BUMPER (SEE PAGE 3–28)
100	46–208695P89	2	BUSHING	3	HEYCO PART NO.2017 SB–375–281
102	46–271516G1	2	PUSH ROD ASM	1	RIGHT ACTUATOR
104	46–271162P1	2	CABLE HUB	1	2.12"X1.19", .5" THK ALUM BAR
105	46–271765P1	2	LOCK BAR	1	TABLE LOCK SAFETY BAR
106	46–271766P1	2	DRIP PAN	1	UPPER DRIP PAN
107	46–271969P1	2	DRIP PAN	1	LOWER DRIP PAN
108	46–271762P1	2	BLOCK	2	FOR PUSH ROD ASSEMBLY
114	46–271133P1	2	PLATE,BACKUP	2	3/75"X 2.65" .375 THK ALUM
115	46–271208P1	2	HOSE	1	GREAT LAKES RUBBER
116	46–230947P1	2	TUBING	6	F–4040–A TYGON TUBING.
118	46–271127P1	2	RESERVOIR	1	MOLDED PLASTIC W/CAP & RUBBER GASKET
119	46–271134P1	2	BUSHING	2	1" & .562"OD, .316"ID X.5", BRASS
120	2309556	2	PLASTIC	1	DOWN BRACKET
121	46–271195P4	2	.312 PIN,SST	1	LINK PIVOT, 0.89"LG, GROOVES @ .709"
122	46–317179P1	2	CLAMP	2	SQUEEZE–SHUT RATCHET–LATCH, 1/2" DIA
123	46–271489P1	2	BRACKET	3	41.56" LONG, 1"X.5" U–CHANNEL ALUM
124	46–271509P1	2	GASKET	1	3.88"X2.24" .032"THK NITRILE RUBBER
125	46–220277P18	2	RETAINING RI	2	EXT RADIAL MOUNT 0.500 SHAFT DIA
128	46–136342P131	2	BUSHING	3	BUSHING
130	46–282440P1	2	BUSHING	1	.442"OD .314"ID, .25"THK, BRONZE
153A	46–170209P1	2	TAPE	AR	0.034 X 1.00 X 100 FT
153B	46–256136P1	2	ADHESIVE	ALT	ADHESIVE
169	46–230653P4	2	TUBING	AR	SPIRALLY CUT POLYETHYLENE 0.500 OD

Parts List Continued On Next Page

TABLE BASE KIT – WideOpen 2127700–2 FRU 2 (CONT'D FROM PREVIOUS PAGE)

Item	Part Number	FRU	Name	Quantity	Description (Remarks)
179	46–271921P1	2	CABLE	1	HYDR CYL CABLE, FITTINGS BOTH ENDS
187	46–230957P1	2	ADHESIVE	AR	LOCTITE 680, 50ML BOTTLE
188	46–170686P1	2	ADHESIVE	AR	LOCTITE 242, 0.5CC TUBE
197	2297775	N	PART	1	SCISSORS CENTRE
198	2297776	N	PART	2	SCISSORS OUTER
199	2297496	N	SPACER	2	SPACER
200	46–136342P128	2	BUSHING	12	BUSHING
201	46–265887P1	2	BAR	1	3/8" DIA. CENTER SCISSOR PIVOT
207	46–271761P1	2	CAST BUSHING	4	CASTER BUSHING, TAPERED ID, BRASS
213	46–271573P1	2	ACTUATOR	1	CLEVIS ARM W/KEYED HOLE, ALUM
214	46–271576G1	2	CYLINDER ASM	1	MECHANICAL LINKAGE
216	46–220277P19	2	RETAINING RI	3	EXT RADIAL MOUNT 0.250 SHAFT DIA
217	46–271195P10	2	.312 PIN,SST	1	LINK PIVOT, 0.76"LG, GROOVES @ .579"
218	46–170490P59	2	SPRING–INCH	2	SPRING–INCH EXTENSION 2.75 INCHES .2
219	46–170490P60	2	SPRING–INCH	3	SPRING–INCH EXTENSION 4.5 INCHES .5
222	46–208758P1	2	TY–RAP	2	3.62" X .094" CABLE TIE
223	46–208758P5	2	TY–RAP	20	SELF LOCKING CABLE TIE
224	46–208713P10	2	CLAMP OR CLI	1	CLAMP OR CLIP
226	46–208735P7	2	PIN	1	SPIROL .094 NOM DIA X 0.500 LG
227	46–170490P38	2	SPRING–INCH	1	SPRING–INCH EXTENSION 2.5 INCHES .25
228	46–256102P1	2	FOAM	AR	POLYURETHANE WICKING FOAM.
229	46–271925P1	2	FASTENER	2	BRASS, 1/2" FASTENER TABS
230	46–136246P11	2	TAPE	AR	5/8" WIDE, BLK ADH BACK, VELCRO HOOK
231	46–136246P12	2	TAPE	AR	0.625 WIDE X 25 YD,BLK,ADH BACK,LOOP
233	46–230006P2	2	CHEMICAL	AR	HYDRAULIC LUBRICATING OIL.
235	46–208713P1	2	CLAMP OR CLI	1	CLAMP OR CLIP
236	46–256047P1	2	CHEMICAL	AR	MOBILTEMP SHC 32 14 OZ CARTRIDGE
237	46–271946P1	2	HARDWARE	1	HARDWARE
239	46–208735P58	2	PIN	1	SPLIT LENGTHWISE .187 DIA X 1.000 LG
241	46–271963P1	2	BRACKET	1	ALUMINUM FORMED J–BRACKET, IRIDITE
9924	46–221922P7	2	SCREW	7	SCREW
9948	46–208560P123	2	SCREW	9	SCREW
12360	1000904P498	2	WASHER	3	0.635 ID, 1" OD, .125 THICK ALUMINUM
12694	46–208737P47	2	SCREW	11	SCREW
12700	46–208737P48	2	SCREW	4	SCREW
13068	1000904P41	2	WASHER	1	0.266 ID, 0.75 OD, .064 THK BRASS
13085	46–220196P3	2	WASHER	15	WASHER, #10 SCREW SIZE (0.190), SST
13750	46–256081P6	2	WASHER	15	3/8" SCREW SIZE, HI–COLLAR
13989	46–208737P28	2	SCREW	10	SCREW CAP HEX SOCKET HD 10–32 X .75
14153	46–208737P13	2	SCREW	5	SCREW
14555	46–208563P90	2	SCREW	1	SCREW
14622	46–208737P20	2	SCREW	6	SCREW
15966	46–208695P85	2	BUSHING	6	HEYCO PART NO.2400 SB–2000–26 BLACK
17598	1000904P502	2	WASHER	4	0.406 ID, 1" OD, .062 THK NYLON
17886	1000904P504	2	WASHER	12	0.145 ID, 0.625 OD, .02 THK BRASS
18867	12–280	2	WASHER	2	ID 0.336, OD 0.75, THK .064, BRASS
20702	46–256193P9	2	NUT	1	3/8–24 HEX 0.564 HT .453 RING TYPE
38047	46–208938P5	2	NUT	17	10–32, 3/8" HEX X .130 THK, 18–8 SST
41664	46–208932P7	2	SCREW	8	SCREW
64933	1000904P425	2	WASHER	14	0.2 ID, 0.5 OD, .04 THK, B11H89C
74978	46–208560P111	2	SCREW	4	SCREW 6–32 X 5/8 SS

TABLE BASE KIT – INFINITY

2127700-3 FRU 2

(PART 2 OF 2135993-3 PAGE 3-7)

Item	Part Number	FRU	Name	Quantity	Description (Remarks)
2	2323992	2	PUMP ASM	1	PUMP ASSEMBLY (SEE PAGE 3-23)
3	2323995	2	CYLINDER ASM	1	CYLINDER ASSEMBLY (SEE PAGE 3-24)
4	46-265881P3	2	BASE CASTING	1	FOOT END TABLE CASTING-INFINITY
5	46-265882P3	2	BASE CASTING	1	HEAD END TABLE CASTING-INFINITY
6	46-271230G1	2	FRT SUPPORT	1	1/8" ALUMINUM SHEET, HEAD END
7	46-271231G1	2	REAR SUPPORT	1	1/8 ALUMINUM SHEET, FOOT END
8	46-271232P1	2	SLIDE	2	WHITE DELRIN
9	2297495	N	CHANNEL	1	RAIL – SQUARE TUBE
11	46-271966P1	2	PIN,CYL MNT	1	CYLINDER MOUNTING PIN .437"OD X 4.34
16	46-271193P1	2	BAR	1	LOWER FIXED SCISSOR PIVOT
17	46-271554P1	2	WEAR STRIP	1	ROLLER TRACK, .015 THK STAINLESS STL
18	46-265887P6	2	BAR	1	LOWER SCISSOR ROLLER SHAFT
19	46-220277P23	2	RETAINING RI	10	EXT RADIAL MOUNT 0.375 SHAFT DIA
20	46-136342P23	2	BUSHING	2	BUSHING
21	46-265888P1	2	BAR	2	2" OD 3/8" ID X 7/16 LG BRASS
22	2297497	N	PLATE	1	ROLLER TRACK PLATE
23	46-265890P1	2	BRACKET	2	SCISSOR
28	46-220270P9	2	RETAINING RI	2	EXT AXIAL MOUNT 0.750 SHAFT DIA
29	46-271895P1	2	CAP, THREAD	4	THREADED CASTER-MOUNTING CAP
32A	46-282918P1	2	CASTER	1	CASTER W/FOOT OPERATED SWIVEL LOCK
32B	46-271118P1	N	CASTER	ALT	REPLACE IN FIELD WITH 46-282918P1
33A	46-282919P1	2	CASTER	3	CASTER W/FOOT OPERABLE WHEEL BRAKE
33B	46-271119P1	N	CASTER	ALT	REPLACE IN FIELD WITH 46-282919P1
34	46-265906P1	2	ROLLER SHAFT	2	DOCKING GUIDE ROLLER SHAFT, BRASS
35	46-244996P1	2	BUSHING	2	BUSHING
36	46-271676G1	2	ARM ASM	1	DOCK HOOK MOUNTING ARM ASM (SEE PAGE 3-25)
37	46-265892P1	2	HOOK	1	DOCK HOOK, 3/8-24 THD, SST, HARDENED
39	2297498	N	PART	2	LINK LEVER
40	46-271195P2	2	.312 PIN,SST	1	HOOK STOP, 7.75"LG, GROOVES @ 7.57"
41	46-220277P24	2	RETAINING RI	2	EXT RADIAL MOUNT 0.625 SHAFT DIA
42	2297499	N	PART	1	SPRING DRUM
43	46-271124P1	2	SPECIAL SPRI	1	SPRING
44	46-265895P1	2	PIN	1	.187 DIA
46	46-271235P2	2	SQ KEY	3	1/16" SQ, .44 LONG, BRASS
47	46-271195P11	2	.312 PIN,SST	1	DOCK HOOK PIVOT, 2.97"LONG
48	46-271195P1	2	.312 PIN,SST	1	DOCK PIVOT, 1.21"LG, GROOVES @ 2.94"
49	46-220277P22	2	RETAINING RI	24	EXT RADIAL MOUNT 0.312 SHAFT DIA
50	46-265896P1	2	BUSHING	2	SPECIAL
51	46-265897P1	2	LINK LEVER	1.0	PLASTIC
52	46-265898P1	N	LINK LEVER	2.0	PLASTIC
53	46-265899P1	2	SPRING EXTEN	2	6.7" LONG, .081 SST SPRING WIRE
55	46-271587P1	2	BRACKET	1	2.19" X 1.5" GUSSET, .081 ALUM
56	46-271141P1	2	BUMPER	1	1.5" DIA, ALUM, BLACK ANODIZE
57	46-271031G9	N	PEDAL ASM	1	PUMP PEDAL ASM INFINITY COLOR (SEE PAGE 3-26)
58	46-271031G10	N	PEDAL ASM	1	DOWN PEDAL ASM INFINITY COLOR (SEE PAGE 3-26)
59	46-271031G11	N	PEDAL ASM	1	UNDOCK PEDAL ASM INFINITY COLOR (SEE PAGE 3-27)
60	46-271031G12	N	PEDAL ASM	1	DOCK PEDAL ASM INFINITY COLOR (SEE PAGE 3-27)
61	46-271510P1	2	BAR	1	SHAFT FOR PEDALS
62	46-271195P5	2	.312 PIN,SST	1	UP PEDAL
63	46-271195P6	2	.312 PIN,SST	1	UNDOCK, 1.22"LG, GROOVES @ 1.039"

Parts List Continued On Next Page

TABLE BASE KIT – INFINITY

2127700-3 FRU 2

(CONT'D FROM PREVIOUS PAGE)

Item	Part Number	FRU	Name	Quantity	Description (Remarks)
64	46-271195P7	2	.312 PIN,SST	1	DOCK PEDAL
65	46-271195P8	2	.312 PIN,SST	1	DOWN, 1.46"LG, GROOVES @ 1.284"
67	46-256127P1	2	BUMPER	4	ATLANTIC INDIA #1392 80 DUROMETER
70	46-271771P1	2	PAD	3	PAD, _NEOPRENE RUBBER PEDAL BUMPER.
71	46-271772P1	2	BACK PLT	3	BUMPER BACKING PLATE 1"X.5" .060 SST
72	46-271772P2	2	BACK PLT	9	BUMPER BACKING PLATE 1"X1.5" .06 SST
74	46-265907P1	2	LINK LEVER	1	CASTING
75	46-265908P1	2	BAR	1	.625 DIA
76	46-271163P1	2	CABLE BRKT	1	1.25"X1"X.88" ALUMINUM BLOCK
77	46-271235P3	2	SQ KEY	1	1/16" SQ, .62 LONG, BRASS
78	46-170073P5	2	TAPE	AR	.002 THK X 2.0 WIDE X 60 YD ROLL
80	46-265910P1	2	LINK DOCK	1	38.3" LONG .25"X.75" ALUM BAR
81	46-271194P1	2	BAR	1	.312"DIA 6.88" LONG, SST
83	46-271161P1	2	PIN	2	.375"& .312" DIA, 1.17"LG, SST
84	46-136393P147	2	PIN	2	MECHANICAL/MATERIAL COMP
86	2297500	2	PART	1	LINK UNDOCK
87	46-220277P27	2	RETAINING RI	2	EXT RADIAL MOUNT 0.188 SHAFT DIA
88	46-271916G1	2	PUSH ROD ASM	1	UP INDICATOR ROD ASSEMBLY (SEE PAGE 3-28)
89	46-271914P1	2	PIVOT STUD	1	1/4-28 THREAD, .194 HOLE, BRASS
90	46-271913P1	2	BELLCRANK	1	BRASS
91	46-221304P7	2	PIN	2	0.188 DIA X 0.65 LENGTH, 303 SST
92	46-230434P2	2	PIN	2	0.047 WIRE DIA X 0.594 LG 302 SST
94	2297473	2	BAR	1	LINK DOWN
96	46-271192P1	2	BAR	1	.312"DIA, 6.45"LG, .125 KEYWAY, SST
97	46-271220G1	2	LINK ASM	2	UP PEDAL
98	46-265911G1	2	RESERVOIR BK	1	MOUNTING BRACKET
99	46-271517G1	2	DOWN ROD ASM	1	14.13" LONG ALUM ROD W/BUMPER (SEE PAGE 3-28)
100	46-208695P89	2	BUSHING	3	HEYCO PART NO.2017 SB-375-281
102	46-271516G1	2	PUSH ROD ASM	1	RIGHT ACTUATOR
104	46-271162P1	2	CABLE HUB	1	2.12"X1.19", .5" THK ALUM BAR
105	46-271765P1	2	LOCK BAR	1	TABLE LOCK SAFETY BAR
106	46-271766P1	2	DRIP PAN	1	UPPER DRIP PAN
107	46-271969P1	2	DRIP PAN	1	LOWER DRIP PAN
108	46-271762P1	2	BLOCK	2	FOR PUSH ROD ASSEMBLY
114	46-271133P1	2	PLATE,BACKUP	2	3/75"X 2.65" .375 THK ALUM
115	46-271208P1	2	HOSE	1	GREAT LAKES RUBBER
116	46-230947P1	2	TUBING	AR	F-4040-A TYGON TUBING.
118	46-271127P1	2	RESERVOIR	1	MOLDED PLASTIC W/CAP & RUBBER GASKET
119	46-271134P1	2	BUSHING	2	1" & .562"OD, .316"ID X.5", BRASS
120	2309556	2	PLASTIC	1	DOWN BRACKET
121	46-271195P4	2	.312 PIN,SST	1	LINK PIVOT, 0.89"LG, GROOVES @ .709"
122	46-317179P1	2	CLAMP	2	SQUEEZE-SHUT RATCHET-LATCH, 1/2" DIA
123	46-271489P1	2	BRACKET	3	41.56" LONG, 1"X.5" U-CHANNEL ALUM
124	46-271509P1	2	GASKET	1	3.88"X2.24" .032"THK NITRILE RUBBER
125	46-220277P18	2	RETAINING RI	2	EXT RADIAL MOUNT 0.500 SHAFT DIA
128	46-136342P131	2	BUSHING	3	BUSHING
130	46-282440P1	2	BUSHING	1	.442"OD .314"ID, .25"THK, BRONZE
153A	46-170209P1	2	TAPE	AR	0.034 X 1.00 X 100 FT
153B	46-256136P1	2	ADHESIVE	ALT	ADHESIVE
169	46-230653P4	2	TUBING	AR	SPIRALLY CUT POLYETHYLENE 0.500 OD

Parts List Continued On Next Page

TABLE BASE KIT – INFINITY

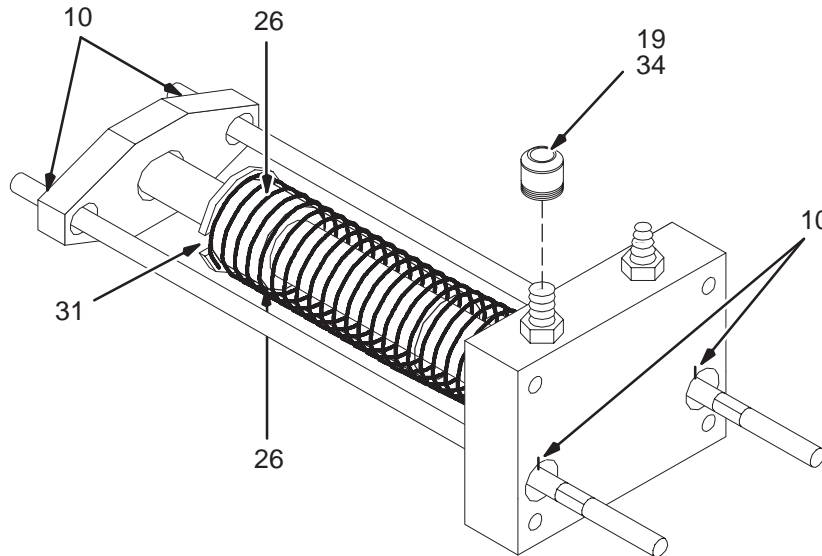
2127700-3 FRU 2

(CONT'D FROM PREVIOUS PAGE)

Item	Part Number	FRU	Name	Quantity	Description (Remarks)
179	46-271921P1	2	CABLE	1	HYDR CYL CABLE, FITTINGS BOTH ENDS
187	46-230957P1	2	ADHESIVE	AR	LOCTITE 680, 50ML BOTTLE
188	46-170686P1	2	ADHESIVE	AR	LOCTITE 242, 0.5CC TUBE
197	2297775	2	PART	1	SCISSORS CENTRE
198	2297776	2	PART	2	SCISSORS OUTER
199	2297496	N	SPACER	2	SPACER
200	46-136342P128	2	BUSHING	12	BUSHING
201	46-265887P1	2	BAR	1	3/8" DIA. CENTER SCISSOR PIVOT
207	46-271761P1	2	CAST BUSHING	4	CASTER BUSHING, TAPERED ID, BRASS
213	46-271573P1	2	ACTUATOR	1	CLEVIS ARM W/KEYED HOLE, ALUM
214	46-271576G1	2	CYLINDER ASM	1	MECHANICAL LINKAGE
216	46-220277P19	2	RETAINING RI	3	EXT RADIAL MOUNT 0.250 SHAFT DIA
217	46-271195P10	2	.312 PIN,SST	1	LINK PIVOT, 0.76"LG, GROOVES @ .579"
218	46-170490P59	2	SPRING-INCH	2	SPRING-INCH EXTENSION 2.75 INCHES .2
219	46-170490P60	2	SPRING-INCH	3	SPRING-INCH EXTENSION 4.5 INCHES .5
222	46-208758P1	2	TY-RAP	2	3.62" X .094" CABLE TIE
223	46-208758P5	2	TY-RAP	20	SELF LOCKING CABLE TIE
224	46-208713P10	2	CLAMP OR CLI	1	CLAMP OR CLIP
226	46-208735P7	2	PIN	1	SPIROL .094 NOM DIA X 0.500 LG
227	46-170490P38	2	SPRING-INCH	1	SPRING-INCH EXTENSION 2.5 INCHES .25
228	46-256102P1	2	FOAM	AR	POLYURETHANE WICKING FOAM.
229	46-271925P1	2	FASTENER	2	BRASS, 1/2" FASTENER TABS
230	46-136246P11	2	TAPE	AR	5/8" WIDE, BLK ADH BACK, VELCRO HOOK
231	46-136246P12	2	TAPE	AR	0.625 WIDE X 25 YD,BLK,ADH BACK,LOOP
233	46-230006P2	2	CHEMICAL	AR	HYDRAULIC LUBRICATING OIL.
235	46-208713P1	2	CLAMP OR CLI	1	CLAMP OR CLIP
236	46-256047P1	2	CHEMICAL	AR	MOBILTEMP SHC 32 14 OZ CARTRIDGE
237	46-271946P1	2	HARDWARE	1	HARDWARE
239	46-208735P58	2	PIN	1	SPLIT LENGTHWISE .187 DIA X 1.000 LG
241	46-271963P1	2	BRACKET	1	ALUMINUM FORMED J-BRACKET, IRIDITE
9924	46-221922P7	2	SCREW	7	SCREW
9948	46-208560P123	2	SCREW	9	SCREW
12360	1000904P498	2	WASHER	3	0.635 ID, 1" OD, .125 THICK ALUMINUM
12694	46-208737P47	2	SCREW	11	SCREW
12700	46-208737P48	2	SCREW	4	SCREW
13068	1000904P41	2	WASHER	1	0.266 ID, 0.75 OD, .064 THK BRASS
13085	46-220196P3	2	WASHER	15	WASHER, #10 SCREW SIZE (0.190), SST
13750	46-256081P6	2	WASHER	15	3/8" SCREW SIZE, HI-COLLAR
13989	46-208737P28	2	SCREW	10	SCREW CAP HEX SOCKET HD 10-32 X .75
14153	46-208737P13	2	SCREW	5	SCREW
14555	46-208563P90	2	SCREW	1	SCREW
14622	46-208737P20	2	SCREW	6	SCREW
15966	46-208695P85	2	BUSHING	6	HEYCO PART NO.2400 SB-2000-26 BLACK
17598	1000904P502	2	WASHER	4	0.406 ID, 1" OD, .062 THK NYLON
17886	1000904P504	2	WASHER	12	0.145 ID, 0.625 OD, .02 THK BRASS
18867	12-280	2	WASHER	2	ID 0.336, OD 0.75, THK .064, BRASS
20702	46-256193P9	2	NUT	1	3/8-24 HEX 0.564 HT .453 RING TYPE
38047	46-208938P5	2	NUT	17	10-32, 3/8" HEX X .130 THK, 18-8 SST
41664	46-208932P7	2	SCREW	8	SCREW
64933	1000904P425	2	WASHER	14	0.2 ID, 0.5 OD, .04 THK, B11H89C
74978	46-208560P111	2	SCREW	4	SCREW 6-32 X 5/8 SS

HYDRAULIC PUMP ASSEMBLY

46-265779G1 & 2323992



L265779G1A

HYDRAULIC PUMP ASSEMBLY 46-265779G1 FRU 1 (PART 2 OF 2127700 PAGE 3-14)

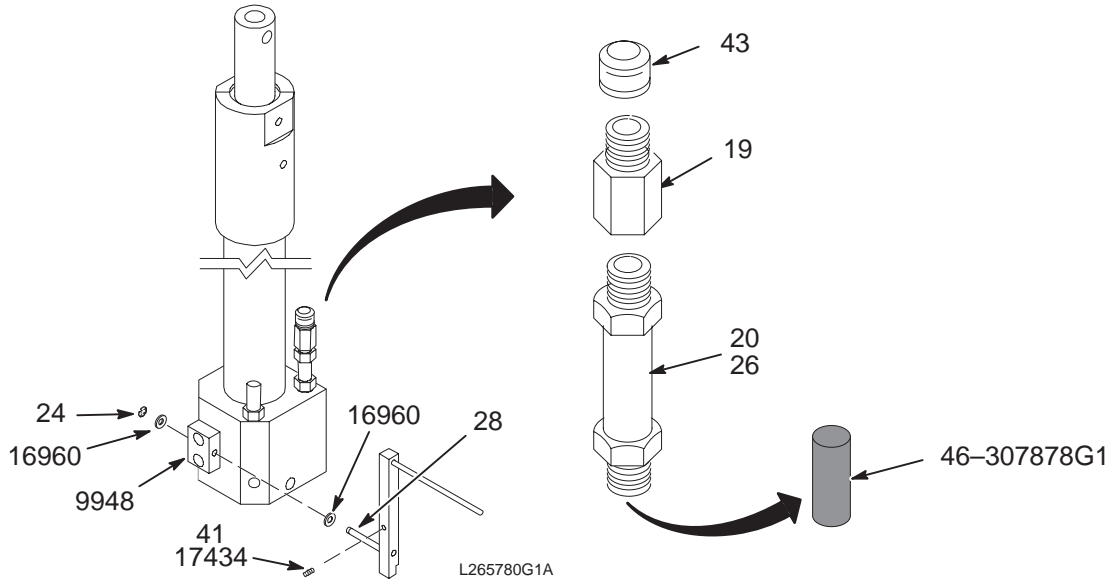
Item	Part Number	FRU	Name	Quantity	Description (Remarks)
10	46-208735P46	2	PIN	4	SPLIT LENGTHWISE .125 DIA X 0.625 LG
19	46-230614P1	2	ADHESIVE	AR	HYDRAULIC, LOCTITE 569, 50ML BOTTLE
20	46-256047P1	2	CHEMICAL	AR	MOBILTEMP SHC 32 14 OZ CARTRIDGE
26	46-208735P17	2	PINS	2	PINS
31	46-208735P83	2	PIN	1	SPIROL .187 DIA X 1.250 LG
34	46-230568P5	2	CAP/PLUG	1	CAP/PLUG ASC-06DN 3/8 OD TUBE

HYDRAULIC PUMP ASSEMBLY 2323992 FRU 1 (PART 2 OF 2127700 PAGE 3-14)
(PART 2 OF 2127700-2 PAGE 3-17)
(PART 2 OF 2127700-3 PAGE 3-20)

Item	Part Number	FRU	Name	Quantity	Description (Remarks)
10	46-208735P46	2	PIN	4	SPLIT LENGTHWISE .125 DIA X 0.625 LG
19	46-230614P1	2	ADHESIVE	AR	HYDRAULIC, LOCTITE 569, 50ML BOTTLE
20	46-256047P1	2	CHEMICAL	AR	MOBILTEMP SHC 32 14 OZ CARTRIDGE
26	46-208735P17	2	PINS	2	PINS
31	46-208735P83	2	PIN	1	SPIROL .187 DIA X 1.250 LG
34	46-230568P5	2	CAP/PLUG	1	CAP/PLUG ASC-06DN 3/8 OD TUBE

TABLE ELEVATING HYDRAULIC CYLINDER

46-265780G1 & 2323995



HYDRAULIC CYLINDER ASM

46-265780G1 FRU 2

(PART 3 OF 2127700 PAGE 3-14)

Item	Part Number	FRU	Name	Quantity	Description (Remarks)
19	46-230872P1	2	FITTING	1	HOSE-FITTED TO PIPE THD BRASS
20	46-230880P1	2	FILTER OIL	1	FILTER, OIL
24	46-220277P26	2	RETAINING RING	1	EXT RADIAL MOUNT 0.188 SHAFT DIA
26	46-230614P1	2	ADHESIVE	AR	HYDRAULIC, LOCTITE 569, 50ML BOTTLE
28	46-256047P1	2	CHEMICAL	AR	MOBILTEMP SHC 32 14 OZ CARTRIDGE
38	46-230957P1	2	ADHESIVE	AR	LOCTITE 680, 50ML BOTTLE
41	46-170686P1	2	ADHESIVE	AR	LOCTITE 242, 0.5CC TUBE
43	46-230568P5	2	CAP/PLUG	1	CAPLUG ASC-06DN 3/8 OD TUBE
9948	46-208560P123	2	SCREW	2	SCREW
16960	1000904P370	2	WASHER	2	ID 0.188 OD 0.375 THK .020 BRASS
17434	46-221560P3	2	SCREW	1	SCREW
	46-307878G1	2	FILTER	1	HYDRAULIC OIL FILTER & GASKET [46-230889P1 (IN-LINE FILTER) & 46-230889P2 (GASKET)]

HYDRAULIC CYLINDER ASM

2323995 FRU 2

(PART 3 OF 2127700 PAGE 3-14)

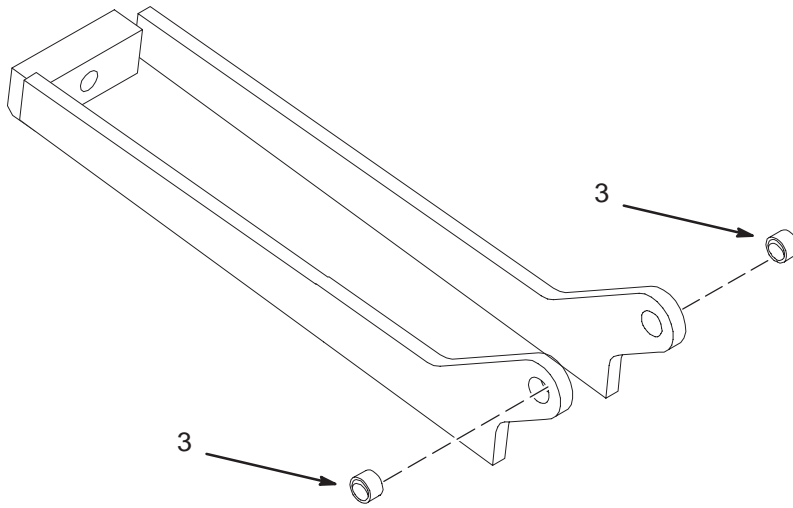
(PART 3 OF 2127700-2 PAGE 3-17)

(PART 3 OF 2127700-3 PAGE 3-20)

Item	Part Number	FRU	Name	Quantity	Description (Remarks)
19	46-230872P1	2	FITTING	1	HOSE-FITTED TO PIPE THD BRASS
20	46-230880P1	2	FILTER OIL	1	FILTER, OIL
24	46-220277P26	2	RETAINING RI	1	EXT RADIAL MOUNT 0.188 SHAFT DIA
26	46-230614P1	2	ADHESIVE	AR	HYDRAULIC, LOCTITE 569, 50ML BOTTLE
28	46-256047P1	2	CHEMICAL	AR	MOBILTEMP SHC 32 14 OZ CARTRIDGE
38	46-230957P1	2	ADHESIVE	AR	LOCTITE 680, 50ML BOTTLE
41	46-170686P1	2	ADHESIVE	AR	LOCTITE 242, 0.5CC TUBE
43	46-230568P5	2	CAP/PLUG	1	CAPLUG ASC-06DN 3/8 OD TUBE
9948	46-208560P123	2	SCREW	2	SCREW
16960	1000904P370	2	WASHER	2	ID 0.188 OD 0.375 THK .020 BRASS
17434	46-221560P3	2	SCREW	1	SCREW
	46-307878G1	2	FILTER	1	HYDRAULIC OIL FILTER & GASKET [46-230889P1 (IN-LINE FILTER) & 46-230889P2 (GASKET)]

DOCK HOOK MOUNTING ARM ASM

46-271676G1



L2127700GA

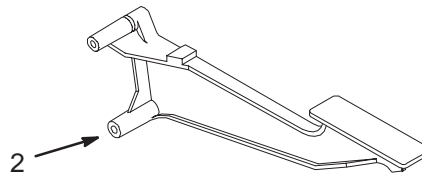
DOCK HOOK MOUNTING ARM ASM 46-271676G1 FRU 2

(PART 36 OF 2127700 PAGE 3-14)
 (PART 36 OF 2127700-2 PAGE 3-17)
 (PART 36 OF 2127700-3 PAGE 3-20)

Item	Part Number	FRU	Name	Quantity	Description (Remarks)
3	46-136342P131	2	BUSHING	2	BUSHING

PEDAL ASM, PUMP UP

46-271031G1 & G9



L271031G1A

PEDAL ASM, PUMP UP

46-271031G1 FRU 2

(PART 57 OF 2127700 PAGE 3-14)
(PART 57 OF 2127700-2 PAGE 3-17)

Item	Part Number	FRU	Name	Quantity	Description (Remarks)
5	46-265901P1	N	PEDAL PUMP	1	CASTING
6	46-136342P112	2	BUSHING	2	BUSHING

PEDAL ASM, PUMP UP-INFINITY

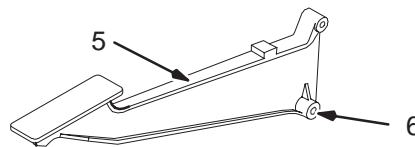
46-271031G9 FRU N

(PART 57 OF 2127700-3 PAGE 3-20)

Item	Part Number	FRU	Name	Quantity	Description (Remarks)
5	46-265901P3	N	PEDAL PUMP	1	PEDAL PUMP CASTING INFINITY COLOR
6	46-136342P112	2	BUSHING	2	BUSHING

PEDAL ASM, DOWN

46-271031G2 & G10



L271031G2A

PEDAL ASM, DOWN

46-271031G2 FRU 2

(PART 58 OF 2127700 PAGE 3-14)
(PART 58 OF 2127700-2 PAGE 3-17)

Item	Part Number	FRU	Name	Quantity	Description (Remarks)
5	46-265902P1	2	PEDAL DOWN	1	CASTING
6	46-136342P112	2	BUSHING	2	BUSHING

PEDAL ASM, DOWN-INFINITY

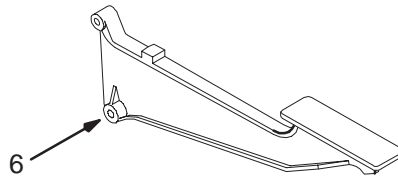
46-271031G10 FRU N

(PART 58 OF 2127700-3 PAGE 3-20)

Item	Part Number	FRU	Name	Quantity	Description (Remarks)
5	46-265902P3	N	PEDAL DOWN	1	PEDAL DOWN CASTING INFINITY COLOR
6	46-136342P112	2	BUSHING	2	BUSHING

PEDAL ASM, UNDOCK

46-271031G3 & G11



L271031G3A

PEDAL ASM, UNDOCK

46-271031G3 FRU 2

(PART 59 OF 2127700 PAGE 3-14)
(PART 59 OF 2127700-2 PAGE 3-17)

Item	Part Number	FRU	Name	Quantity	Description (Remarks)
5	46-265903P1	N	PEDAL UNDOC	1	CASTING
6	46-136342P112	2	BUSHING	2	BUSHING

PEDAL ASM, UNDOCK-INFINITY

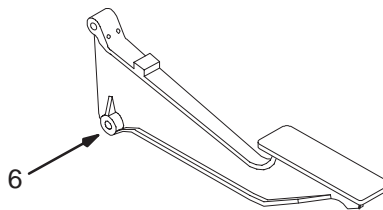
46-271031G11 FRU N

(PART 59 OF 2127700-3 PAGE 3-20)

Item	Part Number	FRU	Name	Quantity	Description (Remarks)
5	46-265903P3	N	PEDAL DOWN	1	UNDOCK PEDAL CASTING INFINITY COLOR
6	46-136342P112	2	BUSHING	2	BUSHING

PEDAL ASM, DOCK

46-271031G4 & G12



L271031G4A

PEDAL ASM, DOCK

46-271031G4 FRU 2

(PART 60 OF 2127700 PAGE 3-14)
(PART 60 OF 2127700-2 PAGE 3-17)

Item	Part Number	FRU	Name	Quantity	Description (Remarks)
5	46-265904P1	N	PEDAL DOCK	1	CASTING
6	46-136342P112	2	BUSHING	2	BUSHING

PEDAL ASM, DOCK-INFINITY

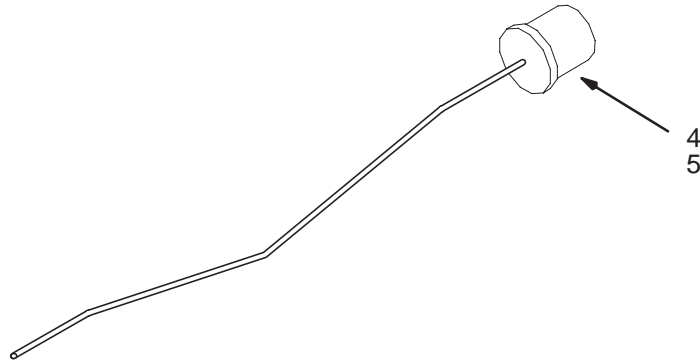
46-271031G12 FRU N

(PART 60 OF 2127700-3 PAGE 3-20)

Item	Part Number	FRU	Name	Quantity	Description (Remarks)
5	46-265904P3	N	PEDAL DOWN	1	DOCK PEDAL CASTING INFINITY COLOR
6	46-136342P112	2	BUSHING	2	BUSHING

UP INDICATOR ROD ASM

46-271916G1



L217916GA

UP INDICATOR ROD ASM

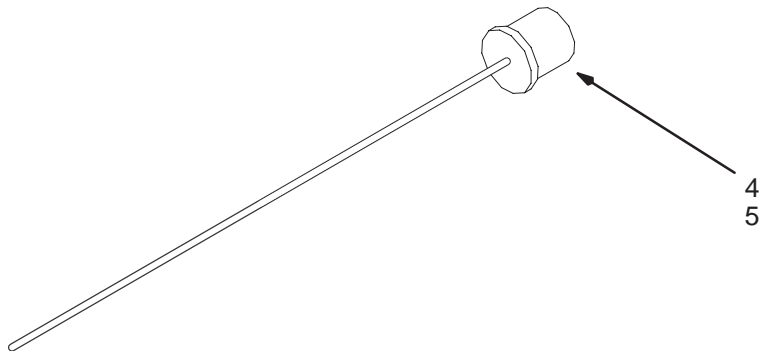
46-271916G1 FRU 2

(PART 88 OF 2127700 PAGE 3-14)
 (PART 88 OF 2127700-2 PAGE 3-17)
 (PART 88 OF 2127700-3 PAGE 3-20)

Item	Part Number	FRU	Name	Quantity	Description (Remarks)
2	2297484	N	BAR	1	PUSH ROD UP INDICATOR
3	46-271142P1	N	BUMPER	1	BUMPER
4	46-170686P1	2	ADHESIVE	AR	LOCTITE 242, 0.5CC TUBE
5	46-208935P8	2	NUT	1	1/4-20, 7/16" HEX X 3/16 THK, BRASS

DOWN ROD ASM

46-271517G1



L271517GA

DOWN ROD ASM

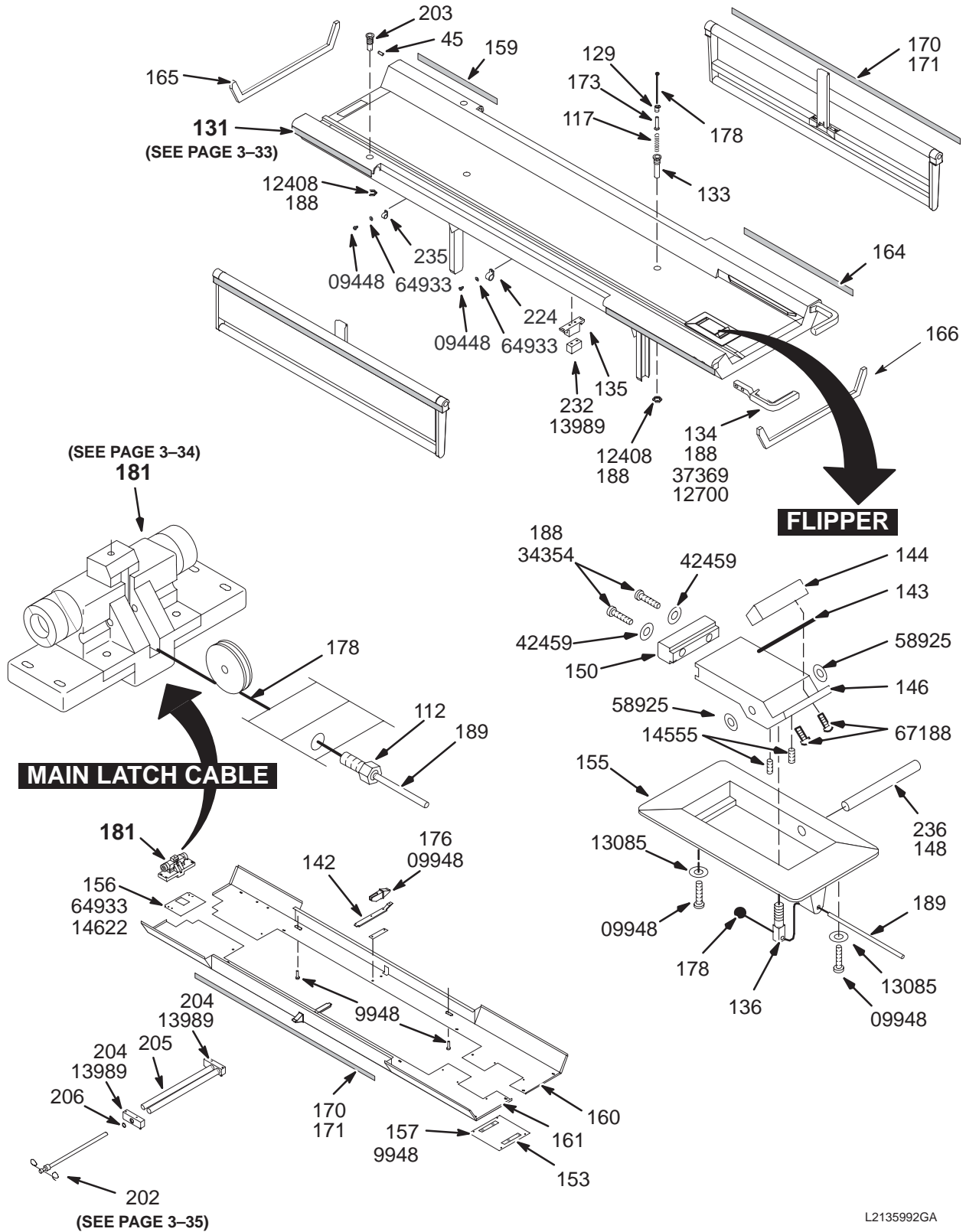
46-271517G1 FRU 2

(PART 99 OF 2127700 PAGE 3-14)
 (PART 99 OF 2127700-2 PAGE 3-17)
 (PART 99 OF 2127700-3 PAGE 3-20)

Item	Part Number	FRU	Name	Quantity	Description (Remarks)
2	46-265912P1	N	ROD DOWN	1	1/4 DIA
3	46-271142P1	N	BUMPER	1	BUMPER
4	46-170686P1	2	ADHESIVE	AR	LOCTITE 242, 0.5CC TUBE
5	46-208935P8	2	NUT	1	1/4-20, 7/16" HEX X 3/16 THK, BRASS

TABLE TOP

2135992 & 2135992-2



L2135992GA

TABLE TOP

2135992 FRU 1

(PART 3 OF 2135993 PAGE 3-5)
(PART 3 OF 2135993-2 PAGE 3-6)

Item	Part Number	FRU	Name	Quantity	Description (Remarks)
45	46-208735P76	2	PIN	2	PIN,SPRING,DOWEL
112	2297475	2	MISCELLANEOU	1	CABLE BUSHING
117	46-136353P105	2	SPRING-INCH	1	SPRING-INCH
129	46-136342P51	2	BUSHING	1	BUSHING
131	46-265991G1	2	TABLE TOP	1	TABLE TOP ASSEMBLY (SEE PAGE 3-33)
133	46-271179P1	2	PIN HSG	1	SECONDARY STOP PIN HOUSING, DELRIN
135	46-271007P1	2	GUIDE DETENT	1	ARMBOARD
136	5136159	N	PDM PART	1	NEW ADJUSTOR BLOCK
142	46-271273P1	2	GUIDE	2	MOLDED THERMOPLASTIC RUBBER
143	46-255966P1	2	SHIM	2	1-7/8" X 0.6", .010 THICK BRASS
144	46-244701P1	2	WEAR BLOCK	1	WEAR BLOCK, NMR TABLE
146	46-243364P1	2	FLIPPER	1	CRADLE STOP, 3.73"X 1.93" ALUM BLOCK
148	46-221890P1	2	PIN	1	NOMINAL DIA .312 X 3.00 LG 303 S ST
150	46-243365P1	2	BUMPER	1	CRADLE STOP, POLYURETHANE
153A	46-170209P1	2	TAPE	AR	0.034 X 1.00 X 100 FT
153B	46-256136P1	2	ADHESIVE	ALT	ADHESIVE
155	46-271131P1	2	HSG CRDL STP	1	FLIPPER HOUSING
156	46-271563P1	2	COVER	1	6.38"X4.5" .04 ALUM PLATE
157	46-271564P1	2	COVER	1	7.88"X 7.75" .04 ALUM PLATE
159A*	46-271025P4	2	BUMPER SIDE	2	16.25" SIDE BUMPER, ACCENT GREY
159B*	46-271025P2	2	BUMPER SIDE	ALT	SIDE BUMPER FOR TABLE ACCENT BLUE
159C*	5161172-4	N	PDM PART	2	SIDE BUMPER - MEDIUM STEEL BLUE
160A	46-271021G1	2	PANEL R.H.	1	MIST GREY
160B	5154908-3	N	PDM ASSEMBLY	1	PANEL ASSY R.H - GREY
161A	46-271022G1	2	PANEL L.H.	1	MIST GRAY
161B	5154908-4	N	PDM ASSEMBLY	1	PANEL ASSY L.H - GREY
164A*	46-271025P3	2	BUMPER SIDE	2	22" SIDE BUMPER, ACCENT GRAY
164B*	46-271025P1	2	BUMPER SIDE	ALT	SIDE BUMPER FOR TABLE ACCENT BLUE
164C*	5161172-3	N	PDM PART	2	SIDE BUMPER - MEDIUM STEEL BLUE
165	46-271026P2	2	BUMPER, HEAD	1	TABLE HEAD END BUMPER, ACCENT GREY
165*	46-271026P1	2	BUMPER FRONT	ALT	FRONT BUMPER FOR TABLE ACCENT BLUE*
166	46-271027P2	2	BUMPER, FOOT	1	TABLE FOOT END BUMPER, ACCENT GREY
166*	46-271027P1	2	BUMPER REAR	ALT	REAR BUMPER ACCENT BLUE*
171	46-282398P1	2	TAPE	AR	ADHESIVE TRANSFER TAPE, TYPE A-25.
173	46-271178P1	2	PIN STOP	1	SECONDARY STOP PIN, BRASS
176	46-271200P1	2	LATCH SUPPT	2	ALUMINUM INVESTMENT CASTING
178	46-271511P1	2	CABLE	2	71" (TRIM AR);SWAGED BALL ONE END
181	46-317191G1	2	LATCH ASM.	1	TABLE LATCH ASSEMBLY (SEE PAGE 3-34)
188	46-170686P1	2	ADHESIVE	AR	LOCTITE 242, 0.5CC TUBE
189	5146521	N	PDM PART	1	NEW CABLE SLEEVE WITH END CAP
190	46-256080P1	2	TUBING	AR	CABLE,PUSH PULL,NYLON,MOLYBDENUM
202	46-271551G1	2	I V POLE	1	DETACHABLE, TELESCOPING IV SUPPORT (SEE PAGE 3-35)
203	46-271408P1	2	I.V.BUSHING	2	1.38"OD, .635" HOLE, 2.5"LG, ALUM
204	46-271387P1	2	BASE	2	WHITE DELRIN
205	46-271388P1	2	HOSE	2	1"OD .125" WALL, 17.68"LG, ACYRLIC
206	46-271438P1	2	TAPE	2	1"OD, .66"ID, WHITE VELCRO HOOKS
224	46-208713P10	2	CLAMP OR CLI	1	CLAMP OR CLIP
232	2297478	1	BLOCK	1	DETENT MTG BLOCK
235	46-208713P1	2	CLAMP OR CLI	1	CLAMP OR CLIP
236	46-256047P1	2	CHEMICAL	AR	MOBILTEMP SHC 32 14 OZ CARTRIDGE

*Select the replacement bumper with the correct trim color for table at this site.

Parts List Continued On Next Page

TABLE TOP 2135992 FRU 1 (CONT'D FROM PREVIOUS PAGE)

Item	Part Number	FRU	Name	Quantity	Description (Remarks)
1345	2376037	N	LABEL PT	1	WARNING LABEL
1355	46-170209P1	2		XXX	0.034 X 1.00 X 100 FT
9948	46-208560P123	2	SCREW	20	SCREW
12408	46-208946P4	2	NUT	3	ANSI STANDARD HEXGON TYPE 18-8 STAIN
12700	46-208737P48	2	SCREW	4	SCREW
13085	46-220196P3	2	WASHER	2	WASHER, #10 SCREW SIZE (0.190), SST
13989	46-208737P28	2	SCREW	6	SCREW CAP HEX SOCKET HD 10-32 X .75
14555	46-208563P90	2	SCREW	2	SCREW
14622	46-208737P20	2	SCREW	4	SCREW
34354	46-208560P96	2	SCREW	2	SCREW
37369	1000904P447	2	WASHER	4	25/64 ID, 1" OD, 1/16" THICK, B7A34C
42459	1000904P460	2	WASHER	2	0.201 ID, 0.375 OD,.05 THICK, BRASS
58925	1000904P419	2	WASHER	2	ID 0.328, OD 0.5, THK .016, B11H89C
64933	1000904P425	2	WASHER	6	0.2 ID, 0.5 OD, 04 THK, B11H89C
67188	46-208737P3	2	SCREW	2	SCREW

TABLE TOP - INFINITY 2135992-2 FRU 1 (PART 3 OF 2135993-3 PAGE 3-7)

System	Part Number	FRU	Name	Quantity	Description (Remarks)
45	46-208735P76	N	PIN	2	PIN,SPRING,DOWEL
112	2297475	N	MISCELLANEOU	1	CABLE BUSHING
117	46-136353P105	N	SPRING-INCH	1	SPRING-INCH
129	46-136342P51	N	BUSHING	1	BUSHING
131	46-265991G1	N	TABLE TOP	1	TABLE TOP ASSEMBLY (SEE PAGE 3-33)
133	46-271179P1	N	PIN HSG	1	SECONDARY STOP PIN HOUSING, DELRIN
134	2332966-3	2	PART	2	TABLE HANDLE GEMS STEEL BLUE
135	46-271007P1	N	GUIDE DETENT	1	ARMBOARD
136	5136159	N	PDM PART	1.0	NEW ADJUSTOR BLOCK
142	46-271273P1	N	GUIDE	2	MOLDED THERMOPLASTIC RUBBER
143	46-255966P1	N	SHIM	2	1-7/8" X 0.6", .010 THICK BRASS
144	46-244701P1	N	WEAR BLOCK	1	WEAR BLOCK, NMR TABLE
146	46-243364P1	N	FLIPPER	1	CRADLE STOP, 3.73"X 1.93" ALUM BLOCK
148	46-221890P1	N	PIN	1	NOMINAL DIA .312 X 3.00 LG 303 S ST
150	46-243365P1	N	BUMPER	1	CRADLE STOP, POLYURETHANE
153A	46-170209P1	N	TAPE	AR	0.034 X 1.00 X 100 FT
153B	46-256136P1	N	ADHESIVE	ALT	ADHESIVE
155	46-271131P1	N	HSG CRDL STP	1	FLIPPER HOUSING
156	46-271563P1	N	COVER	1	6.38"X4.5" .04 ALUM PLATE
157	46-271564P1	N	COVER	1	7.88"X 7.75" .04 ALUM PLATE
159A*	46-271025P6	1	BUMPER SIDE	2	16.25 INCHES SIDE BUMPER, INFINITY
159B*	5161172-4	N	PDM PART	2	SIDE BUMPER - MEDIUM STEEL BLUE
160	46-271021G1	N	PANEL R.H.	1	MIST GREY
161A*	46-271022G1	N	PANEL L.H.	1	MIST GRAY
161B*	5154908-4	N	PDM ASSEMBLY	1	PANEL ASSY L.H - GREY
164A*	46-271025P5	1	BUMPER SIDE	2	22 INCH SIDE BUMPER, INFINITY COLOR
164B*	5161172-3	N	PDM PART	2	SIDE BUMPER - MEDIUM STEEL BLUE
165	46-271026P3	1	BUMPER, HEAD	1	TABLE HEAD END BUMPER, INFINITY
166	46-271027P3	1	BUMPER, FOOT	1	TABLE FOOT END BUMPER, INFINITY
170	2332967-2	1	PART	2	PINCH GUARD - GEMS STEEL BLUE

*Select the replacement bumper with the correct trim color for table at this site.

Parts List Continued On Next Page

TABLE TOP – INFINITY

2135992-2 FRU 1

(CONT'D FROM PREVIOUS PAGE)

Item	Part Number	FRU	Name	Quantity	Description (Remarks)
171	46-282398P1	N	TAPE	AR	ADHESIVE TRANSFER TAPE, TYPE A-25.
173	46-271178P1	N	PIN STOP	1	SECONDARY STOP PIN, BRASS
176	46-271200P1	N	LATCH SUPPT	2	ALUMINUM INVESTMENT CASTING
178	46-271511P1	N	CABLE	2	71" (TRIM AR);SWAGED BALL ONE END
181	46-317191G1	2	LATCH ASM.	1	TABLE LATCH ASSEMBLY (SEE PAGE 3-34)
188	46-170686P1	N	ADHESIVE	AR	LOCTITE 242, 0.5CC TUBE
189	5146521	N	PDM PART	1.0	NEW CABLE SLEEVE WITH END CAP
190	46-256080P1	N	TUBING	AR	CABLE,PUSH PULL,NYLON,MOLYBDENUM
202	46-271551G1	2	I V POLE	1	DETACHABLE, TELESCOPING IV SUPPORT (SEE PAGE 3-35)
203	46-271408P1	N	I.V.BUSHING	2	1.38"OD, .635" HOLE, 2.5"LG, ALUM
204	46-271387P1	N	BASE	2	WHITE DELRIN
205	46-271388P1	N	HOSE	2	1"OD .125" WALL, 17.68"LG, ACYRLIC
206	46-271438P1	N	TAPE	2	1"OD, .66"ID, WHITE VELCRO HOOKS
224	46-208713P10	N	CLAMP OR CLI	1	CLAMP OR CLIP
232	2297478	N	BLOCK	1	DETENT MTG BLOCK
235	46-208713P1	N	CLAMP OR CLI	1	CLAMP OR CLIP
236	46-256047P1	N	CHEMICAL	AR	MOBILTEMP SHC 32 14 OZ CARTRIDGE
1405	2376037	N	LABEL PT	1.0	WARNING LABEL
1425	46-170209P1	N	TAPE	0.0	0.034 X 1.00 X 100 FT
9948	46-208560P123	N	SCREW	20	SCREW
12408	46-208946P4	N	NUT	3	ANSI STANDARD HEXGON TYPE 18-8 STAIN
12700	46-208737P48	N	SCREW	4	SCREW
13085	46-220196P3	N	WASHER	2	WASHER, #10 SCREW SIZE (0.190), SST
13989	46-208737P28	N	SCREW	6	SCREW CAP HEX SOCKET HD 10-32 X .75
14555	46-208563P90	N	SCREW	2	SCREW
14622	46-208737P20	N	SCREW	4	SCREW
34354	46-208560P96	N	SCREW	2	SCREW
37369	1000904P447	N	WASHER	4	25/64 ID, 1" OD, 1/16" THICK, B7A34C
42459	1000904P460	N	WASHER	2	0.201 ID, 0.375 OD,.05 THICK, BRASS
58925	1000904P419	N	WASHER	2	ID 0.328, OD 0.5, THK .016, B11H89C
64933	1000904P425	N	WASHER	6	0.2 ID, 0.5 OD, 04 THK, B11H89C
67188	46-208737P3	N	SCREW	2	SCREW

TABLE TOP ASSEMBLY

46-265991G1

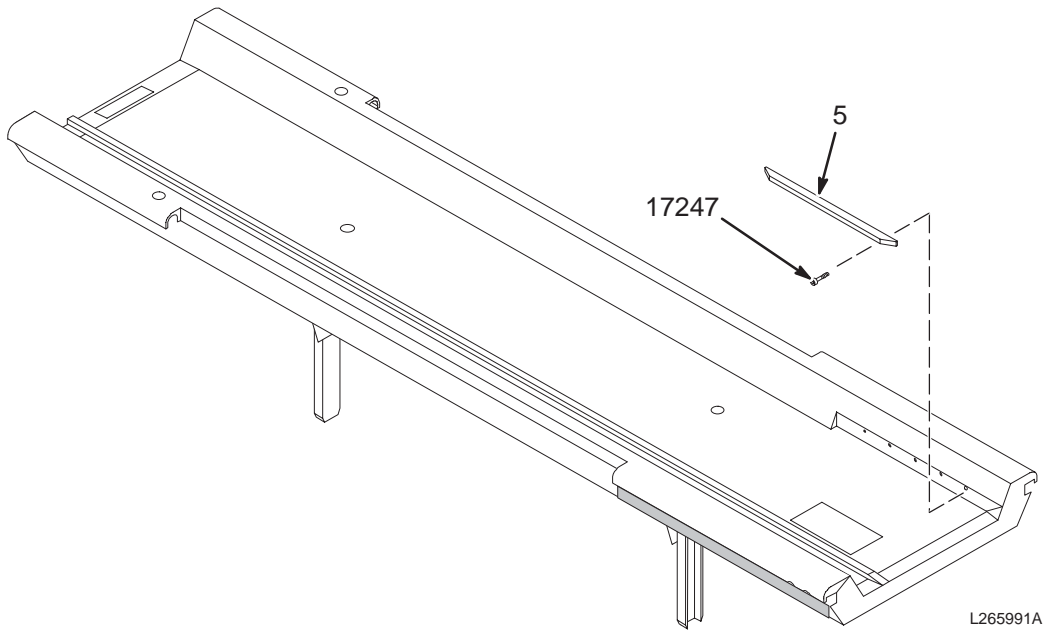


TABLE TOP ASSEMBLY

46-265991G1 FRU 2

(PART 131 OF 2135992 PAGE 3-30)

(PART 131 OF 2135992-2 PAGE 3-31)

Item	Part Number	FRU	Name	Quantity	Description (Remarks)
5	46-271831P1	2	GUIDE STRIP	2	POLYETHYLENE
17247	46-208737P49	2	SCREW	10	SCREW

TABLE LATCH ASSEMBLY

46-317191G1

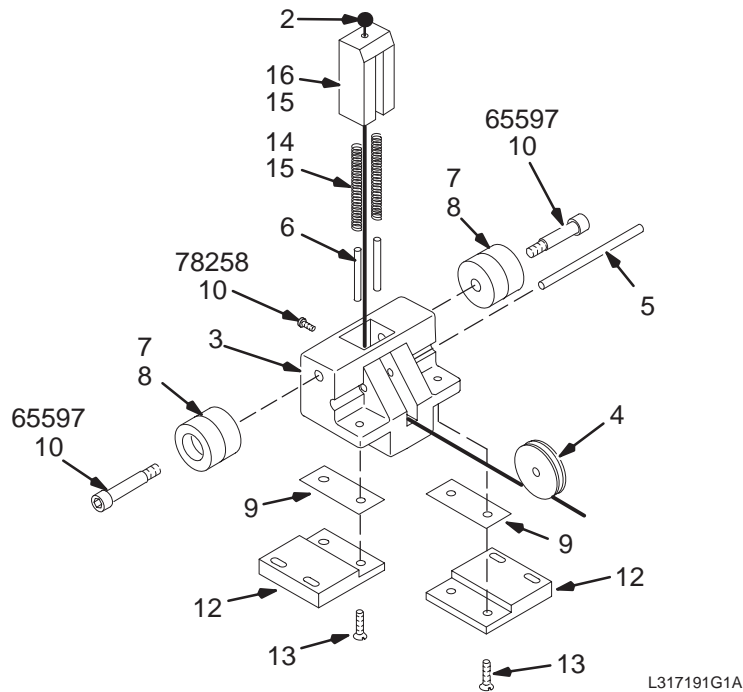


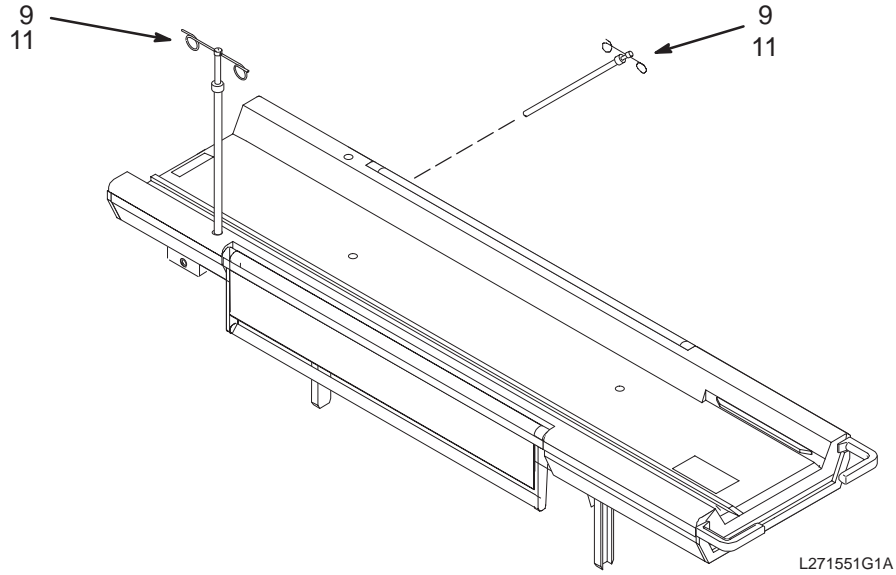
TABLE LATCH ASSEMBLY

46-317191G1 FRU 2

(PART 181 OF 2135992 PAGE 3-30)
(PART 181 OF 2135992-2 PAGE 3-31)

Item	Part Number	FRU	Name	Quantity	Description (Remarks)
2	46-271511P1	2	CABLE	1	71" (TRIM AR);SWAGED BALL ONE END
3	46-317188P1	2	CASTING MACH	1	CARRIAGE RELEASE HSG.
4	46-271169P5	2	PULLEY	1	SAVA INDUSTRIES INC. #BP-310
5	46-271385P1	2	SHAFT PULLEY	1	3/16" DIA X 4" LONG, SST
6	46-208735P87	2	PIN	2	SPLIT LENGTHWISE .156 DIA X 1.250 LG
7	46-271168P1	2	BAR	2	1" OD X 3/4" W, 3/8" SHAFT, DELRIN
8	46-136374P17	2	RING	2	WIDTH .139 ID 0.859 DUROMETER A 70
9	46-317181P1	2	SHIM	12	SHIM
10	46-170686P1	2	ADHESIVE	AR	LOCTITE 242, 0.5CC TUBE
12	2297494	N	BLOCK	2	BLOCK
13	46-208913P28	2	SCREW	4	SCREW
14	46-136353P110	2	SPRING-INCH	2	SPRING-INCH
15	46-256047P1	2	CHEMICAL	AR	MOBILTEMP SHC 32 14 OZ CARTRIDGE
16	46-271164P1	2	LATCH PIN	1	CRADDLE LATCH BLOCK, WHITE DELRIN
65597	46-170024P35	2	SCREW-INCH	2	SCREW-INCH
78258	46-208560P81	2	SCREW	1	SCREW

DETACHABLE, TELESCOPING IV SUPPORT 46-271551G1



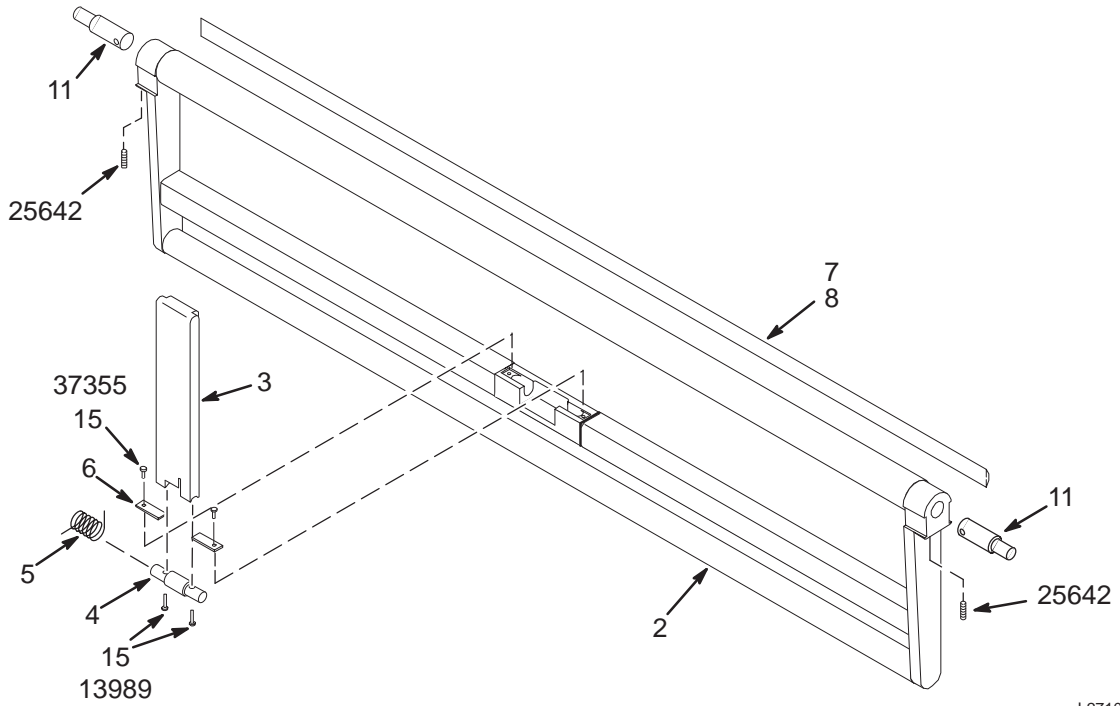
TELESCOPING IV SUPPORT 46-271551G1 FRU 2

(PART 202 OF 2135992 PAGE 3-30)
(PART 202 OF 2135992-2 PAGE 3-31)

Item	Part Number	FRU	Name	Quantity	Description (Remarks)
2	2297477	N	PART	1	TUBE
3	46-271393P1	N	POLE	1	6061 ALUMINUM ADJ CAP
4	46-271392P1	N	ADJ CAP	1	6061 ALUMINUM POLE
5	46-271390P1	N	SPRING EXTEN	1	SUPPORT
6	46-271389P1	N	END CAP	1	6061 ALUMINUM
9	46-136374P54	2	RING	1	WIDTH .070 ID 0.301 DUROMETER A 70
10	46-271437P1	N	TAPE	1	TAPE FASTENER
11	46-170686P1	2	ADHESIVE	AR	LOCTITE 242, 0.5CC TUBE
12	46-170855P1	N	CHEMICAL	AR	PETROLEUM JELLY,USP GRADE,2 OZ
12675	46-208737P46	N	SCREW	2	SCREW

ARMBOARD ASSEMBLY

46-271012G1 & G2



L271012G1A

ARMBOARD ASSEMBLY

46-271012G1 FRU N

(PART 158 OF 2135993 PAGE 3-5)

(PART 158 OF 2135993-2 PAGE 3-6)

Item	Part Number	FRU	Name	Quantity	Description (Remarks)
2	46-271008G1		ARMBD WELD	1	PATIENT TRANSPORT ARMBOARD WELDMENT
3	46-271013P1	2	LATCH BAR	1	PATIENT ARMBOARD TWO POSITION LATCH
4	46-271014P1	2	SHAFT	1	LATCH BAR PIVOT SHAFT
5	46-271015P1	2	SPRING,MOD	1	0.853" OD RH 270 DEG
6	2297514	1	CLAMP	2	ARMBOARD PIVOT RETAINER
7	46-271017P2	2	BUMPER	1	ARMBOARD BUMPER PANTONE GREY
7*	46-271017P1	2	BUMPER	ALT	ARMBOARD BUMPER BLUE*
11	46-271020P1	2	RETAIN PIN	2	ARMBOARD PIVOT SHAFT
12	46-208735P76	2	PIN,SPRING	2	SPIROL .187 DIA X 0.75 LG
14	46-256047P1	2	GREASE	AR	MOBILTEMP SHC 32 14 OZ CARTRIDGE
15	46-170686P1	2	SEALANT	AR	LOCTITE 242 0.5CC
13989	46-208737P28	2	SCREW,CAP	2	00010-32 X 0.750 LG HEX SOC HD SST
25642	46-208563P18	2	SCREW,SET	2	00010-32 X 0.500 LG HEX SOC CUP PT
37355	46-208737P12	2	SCREW,CAP	2	00010-32 X 0.500 LG HEX SOC HD SST

*These alternate Part Numbers should be used for replacements on Tables with Blue Trims

ARMBOARD ASM - INFINITY

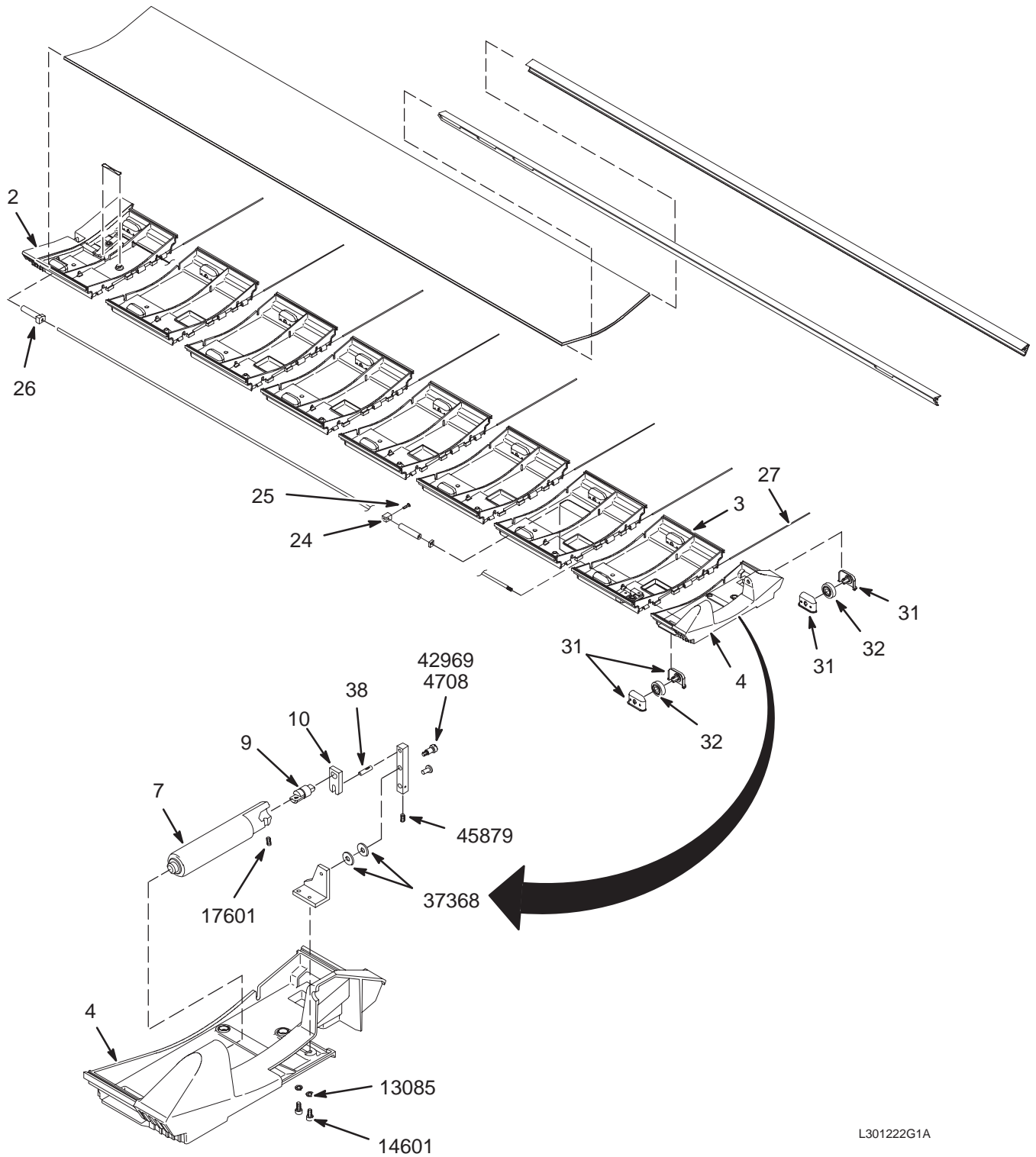
46-271012G2 FRU N

(PART 158 OF 2135993-3 PAGE 3-7)

Item	Part Number	FRU	Name	Quantity	Description (Remarks)
2	46-271008G1	2	ARMBD WELD	1	PATIENT TRANSPORT ARMBOARD WELDMENT
3	46-271013P1	2	LATCH BAR	1	PATIENT ARMBOARD TWO POSITION LATCH
4	46-271014P1	2	BAR	1	LATCH BAR PIVOT SHAFT
5	46-271015P1	2	SPRING TORSI	1	0.853" OD RH 270 DEG
6	2297514	N	CLAMP	2	ARMBOARD PIVOT RETAINER
7	46-271017P3	1	BUMPER	1	ARMBOARD BUMPER STEEL BLUE—INFINITY
11	46-271020P1	2	RETAIN PIN	2	ARMBOARD PIVOT SHAFT
12	46-208735P76	2	PIN	2	PIN,SPRING,DOWEL
14	46-256047P1	2	CHEMICAL	AR	MOBILTEMP SHC 32 14 OZ CARTRIDGE
15	46-170686P1	2	ADHESIVE	AR	LOCTITE 242, 0.5CC TUBE
13989	46-208737P28	2	SCREW	2	SCREW CAP HEX SOCKET HD 10-32 X .75
25642	46-208563P18	2	SCREW	2	SCREW CAP, HEX SOCKET CUP PT, 10-32 X 0.50
37355	46-208737P12	2	SCREW	2	SCREW CAP, HEX SOCKET HEAD, 10-32 X 0.50

CRADLE ASSEMBLY

46-301222G1 & 46-301222G4



L301222G1A

CRADLE ASM W/TWIST RELEASE 46-301222G1 FRU 2

(PART 3 OF 46-265300G1 PAGE 3-3)

(PART 3 OF 46-265300G2 PAGE 3-3)

Item	Part Number	FRU	Name	Quantity	Description (Remarks)
2	46-301543G1	N	FRONT ASSEM	1	CRADLE FRONT SECTION ASSEMBLY (SEE PAGE 3-41)
3	46-301544G1	N	MID ASSEM	1	CRADLE MID SECTION ASSEMBLY (SEE PAGE 3-41)
4	46-301545G1	N	REAR ASSEM	1	CRADLE REAR SECTION ASSEMBLY
5	2309560	N	PLASTIC	5	CRADLE MID SECTION
6	2309562	N	PLASTIC	1	CRADLE MIDSECTION B
7	2297479	2	HANDLE	1	CRADLE HANDLE 1-1/4" AL.,ACCENT GREY
9	46-271824P1	2	BAR	1	(SHAFT KNURLED BRASS)
10	46-271825P1	2	FORK	1	TEFLON IMPREGNATED ALUMINUM
11	2297485	N	BAR	1	LEVER
12	2297513	N	ANGLE	1	ANGLE
21	46-287972P1	2	BAR	1	5/16 OD X 73.1" 5/16-24 THD PHENOLIC
23	46-328574P1	N	SPRING COMPR	1	SPRING MADE FROM TYGON R-1000
24	46-258519P1	2	CLAMP	1	5/8" SQ X 7/8" DELRIN
25	46-243737P1	2	SCREW	1	SCREW
26	46-287973P1	2	ROD CAP	1	WHITE DELRIN
27	46-301614P1	2	CONNECT PIN	8	12.57 X 1/8"DIA. FIBERGLASS
28	2324110	N	PAD	1	CRADLE PAD - PORON ESPIRIT ABS
29	46-287974P1	N	SIDE RAIL RH	1	RIGHT SIDE CRADLE RAIL
30	46-287975P1	N	SIDE RAIL LH	1	LEFT SIDE CRADLE RAIL
31	46-243167P1	2	PLASTIC	36	WHEEL HOUSING, MOLDED NOREL
32	5177597	2	PDM PART	18.0	CRADLE WHEEL BEARING - 11 BALL
34	46-301629P1	N	KEVLAR CORD	8.500	KELVAR FIBER CORD WITH RESINS.
35	46-136374P99	N	RING	1	WIDTH .070, I.D 3.739
38	46-136393P155	2	PIN	1	MECHANICAL/MATERIAL COMP
39	46-307077P1	N	FL HD RIVET	1	3/16 DIA X 3/8 3/8 DIA HEAD 18-8 SST
40	46-282264P1	N	ADHESIVE	AR	2 OZ DUAL-PAK CARTRIDGE EPOXY, CLEAR
4708	46-170686P1	2	ADHESIVE	AR	LOCTITE 242, 0.5CC TUBE
8272	46-230957P1	2	ADHESIVE	AR	LOCTITE 680, 50ML BOTTLE
13085	46-220196P3	2	WASHER	2	WASHER, #10 SCREW SIZE (0.190), SST
14601	46-208737P5	2	SCREW	2	SCREW
17601	46-221560P4	2	SCREW	1	SCREW
37368	1000904P446	2	WASHER	2	ID 0.266, OD 0.68, THK .05, B7A34C
42969	46-170024P25	2	SCREW-INCH	1	SCREW-INCH
45879	46-208563P88	2	SCREW	1	SCREW

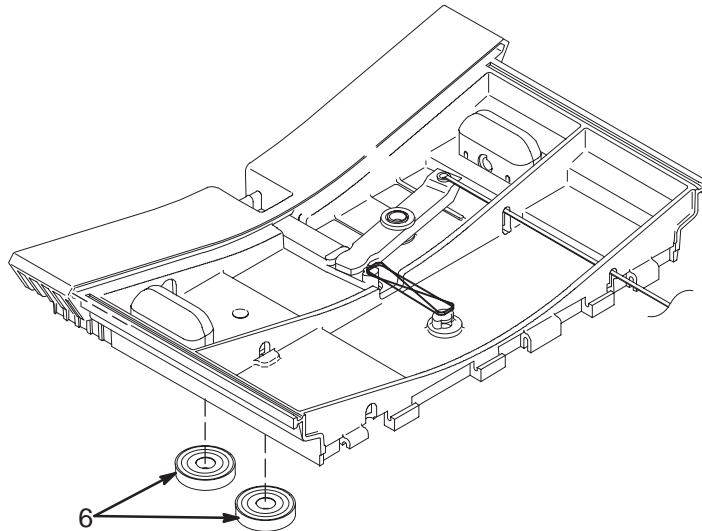
CRADLE ASM ^W/TWIST RELEASE 46-301222G4 FRU 2
(INFINITY COLORS)

(PART 3 OF 46-265300G3 PAGE 3-3))

Item	Part Number	FRU	Name	Quantity	Description (Remarks)
2	46-301543G1	N	FRONT ASSEM	1.0	CRADLE FRONT SECTION ASSEMBLY
3	46-301544G1	N	MID ASSEM	1.0	CRADLE MID SECTION ASSEMBLY
4	46-301545G1	N	REAR ASSEM	1.0	CRADLE REAR SECTION ASSEMBLY
5	46-282322P1	N	MID SECTION	5.0	MOLDED GLASS-FILLED LEXAN, MIST GREY
6	46-287783P1	N	MID SECT "B"	1.0	MID SECTION WITH 1.5 X 4.38 CUT-OUT
7	2297479-2	N	HANDLE	1.0	CRADLE HANDLE 1-1/4" AL.,INFINITY
9	2372295	2	BAR	1.0	SHAFT
10	2372296	2	FORK	1.0	FORK
11	2297485	N	BAR	1.0	LEVER
12	2297513	N	ANGLE	1.0	ANGLE
21	46-287972P1	2	BAR	1.0	5/16 OD X 73.1" 5/16-24 THD PHENOLIC
23	46-328574P1	N	SPRING COMPR	1.0	SPRING MADE FROM TYGON R-1000
24	46-258519P1	2	CLAMP	1.0	5/8" SQ X 7/8" DELRIN
25	46-243737P1	2	PDM PART	1.0	SCREW
26	46-287973P1	2	ROD CAP	1.0	WHITE DELRIN
27	46-301614P1	2	CONNECT PIN	8.0	12.57 X 1/8"DIA. FIBERGLASS
28	46-287971P1	N	PAD	1.0	NAUGAHYDE/PORON/PVC 14.18 X 80.19"
29	46-287974P1	N	SIDE RAIL RH	1.0	RIGHT SIDE CRADLE RAIL
30	46-287975P1	N	SIDE RAIL LH	1.0	LEFT SIDE CRADLE RAIL
31	46-243167P1	2	BOX	36.0	WHEEL HOUSING, MOLDED NORYL
32	5177597	N	PDM PART	18.0	CRADLE WHEEL BEARING - 11 BALL
34	46-301629P1	N	KEVLAR CORD	8.5	KELVAR FIBER CORD WITH RESINS.
35	46-136374P99	N	PDM PART	1.0	WIDTH .070, I.D 3.739
38	46-136393P155	2	PDM PART	1.0	MECHANICAL/MATERIAL COMP
39	46-307077P1	N	FL HD RIVET	1.0	3/16 DIA X 3/8 3/8 DIA HEAD 18-8 SST
40	46-282264P1	N	ADHESIVE	0.0	2 OZ DUAL-PAK CARTRIDGE EPOXY, CLEAR
4708	46-170686P1	2	ADHESIVE	0.0	LOCTITE 242, 0.5CC TUBE
8272	46-230957P1	2	ADHESIVE	0.0	LOCTITE 680, 50ML BOTTLE
13085	46-220196P3	2	PDM PART	2.0	WASHER, #10 SCREW SIZE (0.190), SST
14601	46-208737P5	2	PDM PART	2.0	SCREW
17601	46-221560P4	2	PDM PART	1.0	SCREW
37368	1000904P446	2	PDM PART	2.0	ID 0.266, OD 0.68, THK .05, B7A34C
42969	46-170024P25	2	PDM PART	1.0	SCREW-INCH
45879	46-208563P88	2	PDM PART	1.0	SCREW

FRONT SECTION ASSEMBLY

46-301543G1



L301543G1A

FRONT SECTION ASSEMBLY

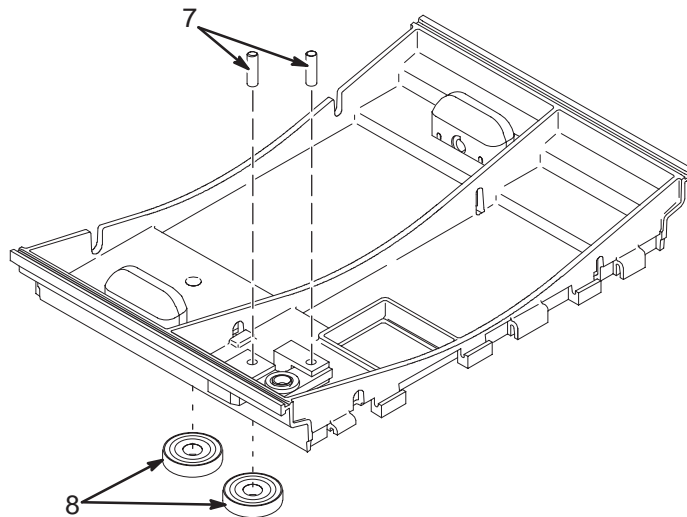
46-301543G1 FRU N

(PART 2 OF 46-301222G1 PAGE 3-39)

Item	Part Number	FRU	Name	Quantity	Description (Remarks)
6	46-243178P3	2	BEARING	2	BEARING

MID SECTION ASSEMBLY

46-301544G1



L301544G1A

MID SECTION ASSEMBLY

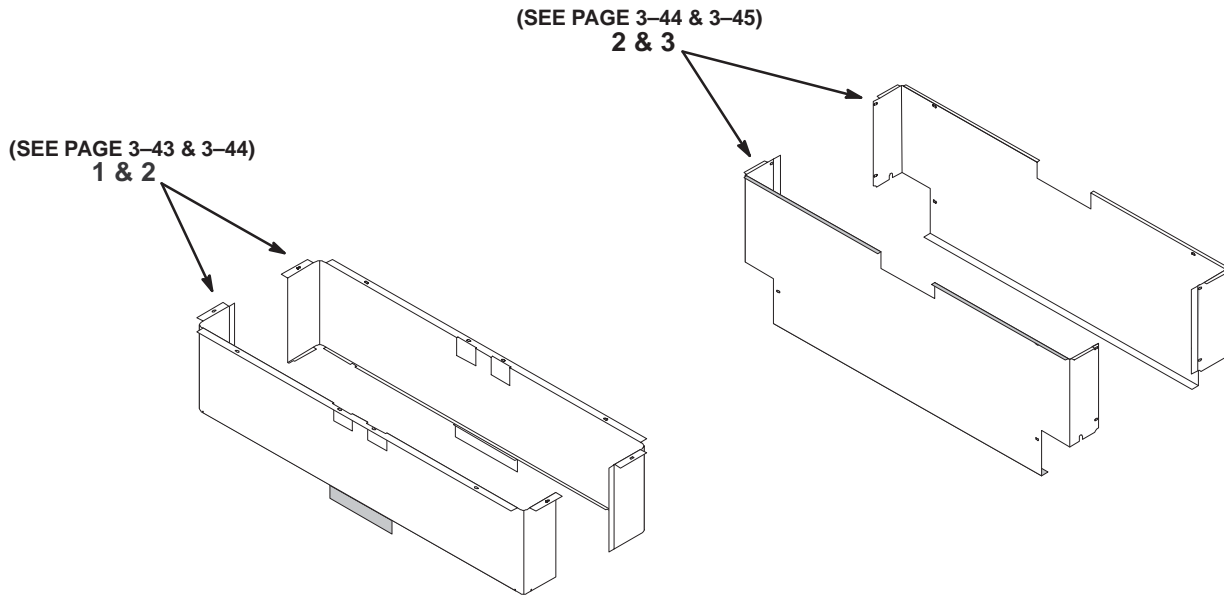
46-301544G1 FRU N

(PART 3 OF 46-301222G1 PAGE 3-39)

Item	Part Number	FRU	Name	Quantity	Description (Remarks)
7	46-258516P1	2	PIN,PIVOT	2	0.281"OD 5/8" DELRIN PRESS FIT
8	46-243178P3	2	BEARING	2	BEARING

TABLE COVER KIT

2127699, 2127699-2, & 2127699-3



L2127699GA

TABLE COVER KIT

2127699 FRU N

(PART 4 OF 46-265300G1 PAGE 3-3)

Item	Part Number	FRU	Name	Quantity	Description (Remarks)
1	2145822	2	ASSEMBLY	1	OUTER COVER FOR MRTBL2 (SEE PAGE 3-43)
2	2145822-2	2	ASSEMBLY	1	OUTER COVER FOR MRTBL2 (SEE PAGE 3-44)
3	2145823	2	ASSEMBLY	2	OUTER COVER FOR MRTBL2 (SEE PAGE 3-45)

TABLE COVER KIT – WideOpen

2127699-2 FRU N

(PART 4 OF 46-265300G2 PAGE 3-3)

Item	Part Number	FRU	Name	Quantity	Description (Remarks)
1	2145822-3	2	ASSEMBLY	1	OUTER COVER FOR TBL – WideOpen COLOR (SEE PAGE 3-43)
2	2145822-4	2	ASSEMBLY	1	OUTER COVER FOR TBL – WideOpen COLOR (SEE PAGE 3-44)
3	2145823-2	2	ASSEMBLY	2	OUTER COVER FOR TBL – WideOpen COLOR (SEE PAGE 3-45)

TABLE COVER KIT – INFINITY

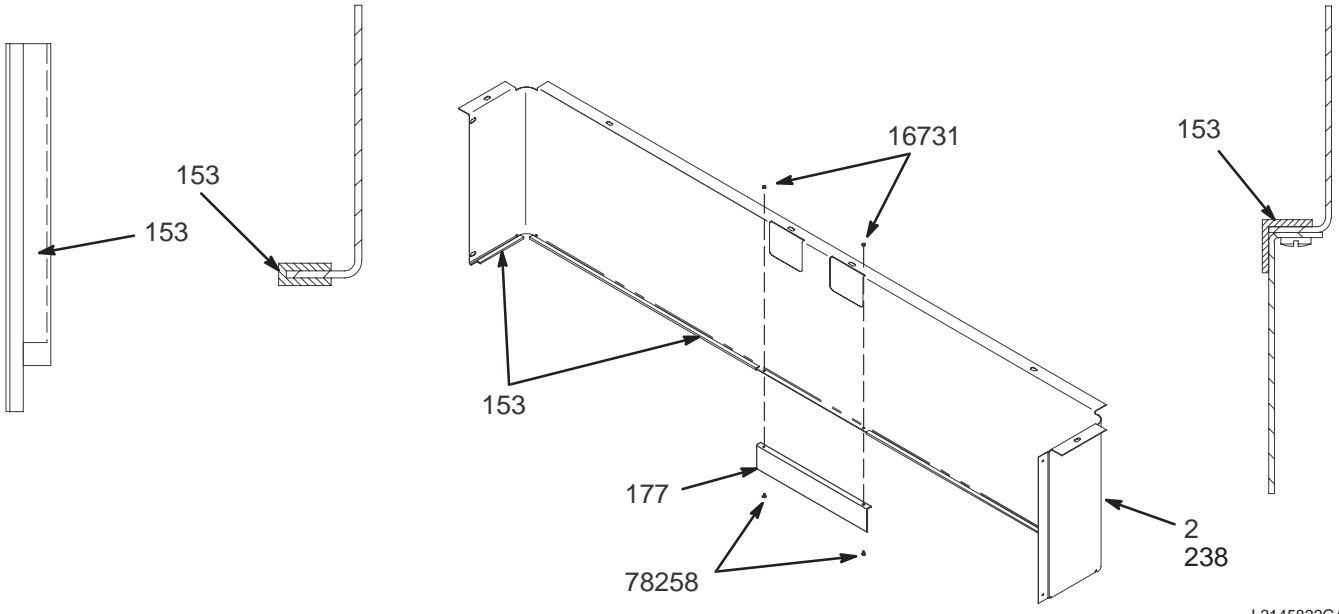
2127699-3 FRU N

(PART 4 OF 46-265300G3 PAGE 3-3)

Item	Part Number	FRU	Name	Quantity	Description (Remarks)
1	2145822-5	2	ASSEMBLY	1	OUTER COVER FOR TBL – INFINITY COLOR (SEE PAGE 3-43)
2	2145822-6	2	ASSEMBLY	1	OUTER COVER FOR TBL – INFINITY COLOR (SEE PAGE 3-44)
3	2145823-3	2	ASSEMBLY	2	OUTER COVER FOR TBL – INFINITY COLOR (SEE PAGE 3-45)

OUTER COVER FOR PATIENT TABLE

2145822, -2, & -3



L2145822GA

OUTER COVER FOR TABLE

2145822 FRU 2

(PART 1 OF 2127699 PAGE 3-42)

Item	Part Number	FRU	Name	Quantity	Description (Remarks)
2	46-271023G1	2	COVER OUTER	1	LEFT OR RIGHT, MIST GREY ALUMINUM
153	46-170209P1	2	TAPE	AR	0.034 X 1.00 X 100 FT
177	46-271272P1	2	TRIM COVER	1	10"X1.85"X.38" L-PLATE, .04 ALUM
238	46-287647P1	2	LABEL	1	GE GREY
16731	46-208935P4	2	NUT	2	4-40, 1/4" HEX X .093 THK, BRASS
78258	46-208560P81	2	SCREW	2	SCREW

OUTER COVER FOR TABLE-WideOpen 2145822-3 FRU 2

(PART 1 OF 2127699-2 PAGE 3-42)

Item	Part Number	FRU	Name	Quantity	Description (Remarks)
2	46-271023G1	2	COVER OUTER	1	LEFT OR RIGHT, MIST GREY ALUMINUM
153	46-170209P1	2	TAPE	AR	0.034 X 1.00 X 100 FT
177	46-271272P2	2	TRIM COVER	1	SAME AS P1 BUT GEMS GRAY #4
238	46-287647P1	2	LABEL	1	GE GREY
16731	46-208935P4	2	NUT	2	4-40, 1/4" HEX X .093 THK, BRASS
78258	46-208560P81	2	SCREW	2	SCREW

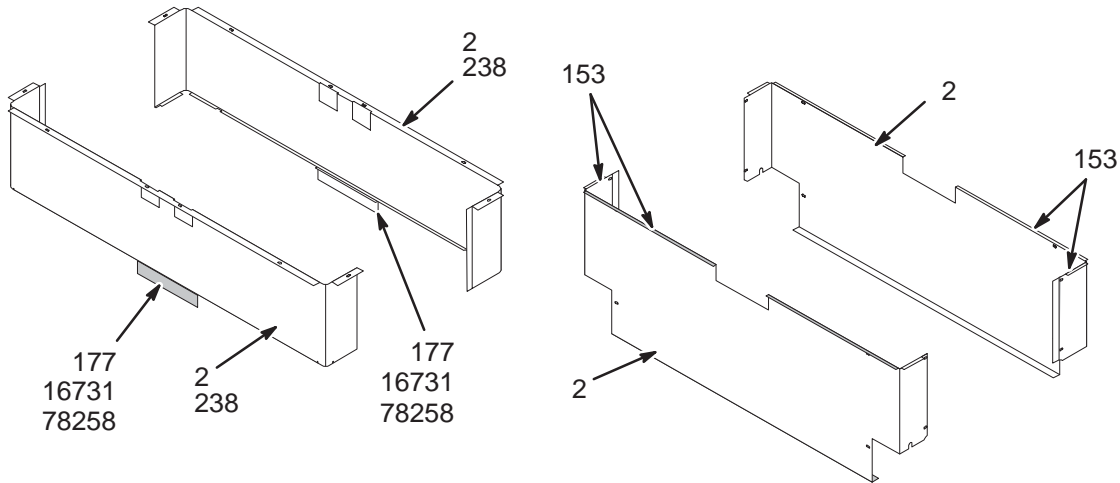
OUTER COVER FOR TABLE-INFINITY 2145822-5 FRU 2

(PART 1 OF 2127699-3 PAGE 3-42)

Item	Part Number	FRU	Name	Quantity	Description (Remarks)
2	46-271023G1	2	COVER OUTER	1	LEFT OR RIGHT, MIST GREY ALUMINUM
153	46-170209P1	2	TAPE	AR	0.034 X 1.00 X 100 FT
177	46-271272P3	2	TRIM COVER	1	TRIM COVER INFINITY COLOR
16731	46-208935P4	2	NUT	2	4-40, 1/4" HEX X .093 THK, BRASS
78258	46-208560P81	2	SCREW	2	SCREW

OUTER COVER FOR PATIENT TABLE

2145822-2, -4, & -6



L2145822-2GA

OUTER COVER FOR TABLE

2145822-2 FRU 2

(PART 2 OF 2127699 PAGE 3-42)

Item	Part Number	FRU	Name	Quantity	Description (Remarks)
2	46-271023G1	2	COVER OUTER	1	LEFT OR RIGHT, MIST GREY ALUMINUM
153	46-170209P1	2	TAPE	AR	0.034 X 1.00 X 100 FT
177	46-271272P1	2	TRIM COVER	1	10"X1.85"X.38" L-PLATE, .04 ALUM
238	46-287647P1	2	LABEL	1	GE GREY
16731	46-208935P4	2	NUT	2	4-40, 1/4" HEX X .093 THK, BRASS
78258	46-208560P81	2	SCREW	2	SCREW

OUTER COVER FOR TABLE-WideOpen 2145822-4 FRU 2

(PART 2 OF 2127699-2 PAGE 3-42)

Item	Part Number	FRU	Name	Quantity	Description (Remarks)
2	46-271023G1	2	COVER OUTER	1	LEFT OR RIGHT, MIST GREY ALUMINUM
153	46-170209P1	2	TAPE	AR	0.034 X 1.00 X 100 FT
177	46-271272P2	2	TRIM COVER	1	DAME AS P1 BUT GEMS GRAY #4
238	46-287647P1	2	LABEL	1	GE GREY
16731	46-208935P4	2	NUT	2	4-40, 1/4" HEX X .093 THK, BRASS
78258	46-208560P81	2	SCREW	2	SCREW

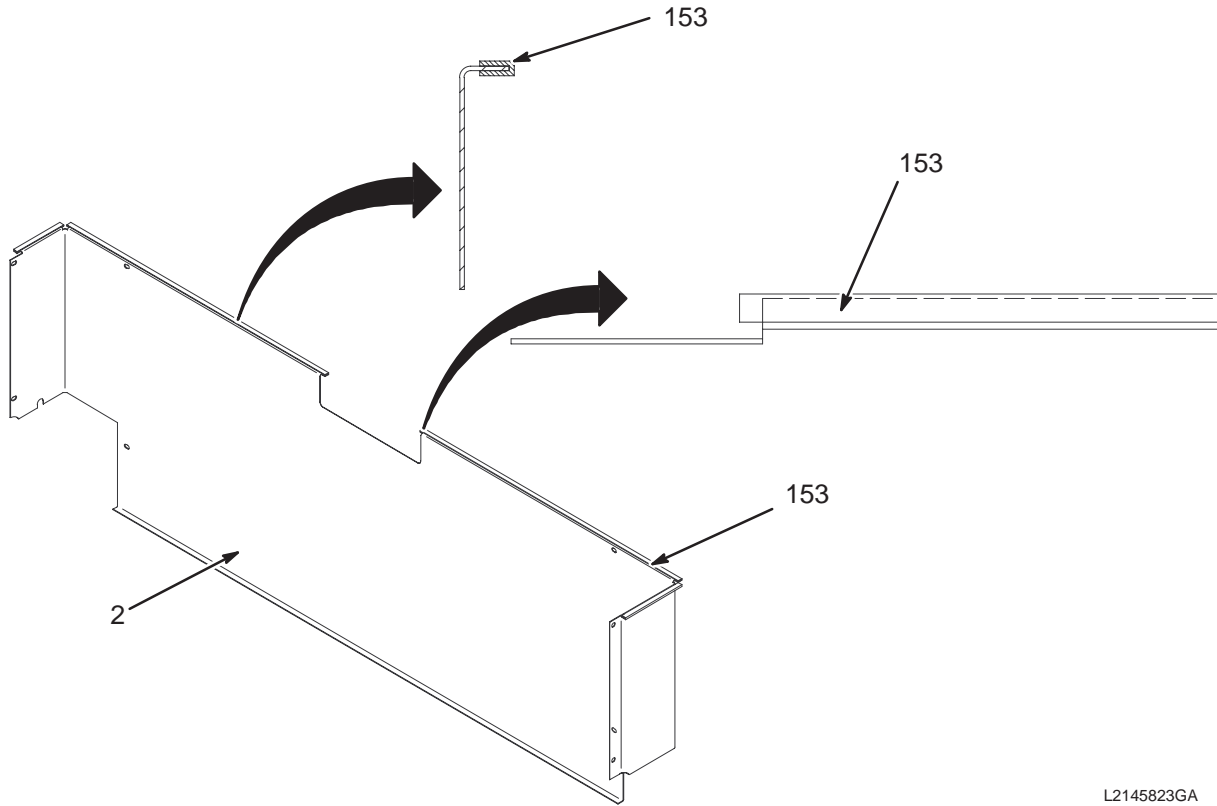
OUTER COVER FOR TABLE-INFINITY 2145822-6 FRU 2

(PART 2 OF 2127699-3 3-42)

Item	Part Number	FRU	Name	Quantity	Description (Remarks)
2	46-271023G1	2	COVER OUTER	1	LEFT OR RIGHT, MIST GREY ALUMINUM
153	46-170209P1	2	TAPE	AR	0.034 X 1.00 X 100 FT
177	46-271272P3	2	TRIM COVER	1	TRIM COVER INFINITY COLOR
16731	46-208935P4	2	NUT	2	4-40, 1/4" HEX X .093 THK, BRASS
78258	46-208560P81	2	SCREW	2	SCREW

OUTER COVER FOR PATIENT TABLE

2145823, -2, & -3



L2145823GA

OUTER COVER FOR TABLE

2145823 FRU 2

(PART 3 OF 2127699 PAGE 3-42)

Item	Part Number	FRU	Name	Quantity	Description (Remarks)
2	46-271024G1	2	COVER INNER	1	LEFT OR RIGHT CHARCOAL GRAY ALUMINUM
153	46-170209P1	2	TAPE	AR	0.034 X 1.00 X 100 FT

OUTER COVER FOR TABLE-WideOpen 2145823-2 FRU 2

(PART 3 OF 2127699-2 PAGE 3-42)

Item	Part Number	FRU	Name	Quantity	Description (Remarks)
2	46-271024G3	2	COVER INNER	1	LEFT OR RIGHT GEMS GRAY #4
153	46-170209P1	2	TAPE	AR	0.034 X 1.00 X 100 FT

OUTER COVER FOR TABLE-INFINITY 2145823-3 FRU 2

(PART 3 OF 2127699-3 PAGE 3-42)

Item	Part Number	FRU	Name	Quantity	Description (Remarks)
2	46-271024G4	1	COVER INNER	1	LEFT OR RIGHT INFINITY COLOR
153	46-170209P1	2	TAPE	AR	0.034 X 1.00 X 100 FT