

SECTION 1 – SYSTEM

TABLE OF CONTENTS

<u>SECTION</u>	<u>PAGE</u>
1-1 5.x SYSTEM CATALOGS	1-3
Contains information on Horizon 5.x systems using S-series magnet	
1-2 8.x SYSTEM CATALOGS	1-10
Contains information on Horizon 8.x systems using S-series magnet and Indigo computer	
1-3 LX SGD SYSTEM CATALOGS	1-16
Contains information on Signa LX systems using S-series magnet with SGD gradients and Indigo computer	
1-4 LX SGD/OCTANE SYSTEM CATALOGS	1-21
Contains information on Signa LX systems with Cx or LCC magnets with SGD gradients and Octane computer	
1-5 Cx LX SGD SYSTEM CATALOGS	1-24
Contains information on Signa LX systems using Cx magnet	
1-6 LCC LX SGD SYSTEM CATALOGS	1-32
Contains information on Signa LX systems using LCC magnet	
1-7 WideOpen LX SGD SYSTEM CATALOGS	1-39
Contains information on Signa LX systems with WideOpen enclosure and SGD Gradients	
1-8 WideOpen ACGD SYSTEM CATALOGS	1-49
Contains information on Signa LX systems with WideOpen enclosure and ACGD Gradients	
1-9 EXCITE II 11.x SYSTEM CATALOGS	1-60
Contains information on Signa LX systems with WideOpen enclosure and ACGD Gradients	
1-10 TwinSpeed ACGD SYSTEM CATALOGS	1-72
Contains information on Signa LX systems with TwinSpeed enclosure and ACGD Gradients	
1-11 EXCITE II 11.x TwinSpeed SYSTEM CATALOGS and CABLES	1-76
Contains information on EXCITE TwinSpeed enclosures and cable collectors	
1-12 MAIN DISCONNECT PANEL	1-87
Contains information on TwinSpeed Main Disconnect Panel	
1-13 TwinSpeed COOLING CABINETS	1-88
Contains information on indoor and outdoor vendor supplied cooling cabinets	
1-14 ACGD/PDU and RF CABINETS	1-90
Contains information on ACGD/PDU and RF cabinets	
1-15 MOBILE AND T/R COLLECTORS	1-91
Contains information on parts for Mobile and T/R installations	
1-16 SYSTEM ACCESSORIES AND PHANTOMS	1-93
Contains information on phantoms, pads, ECG, PPG, Coil Adapters, Head Coils, Patient Alert systems	
1-17 WideOpen ENCLOSURES	1-116
Contains information on WideOpen enclosures and Body Coil mounting kit	
1-18 BODY COILS	1-133
Contains information on Gradient and RF Body Coils and replacement coils	
1-19 SYSTEM COMPUTER AND CABINET COLLECTORS	1-156
Contains information on collectors with Indigo or Octane computers and System, RF, and ACGD/PDU cabinets	

Table of Contents continued on next page

TABLE OF CONTENTS (continued)

<u>SECTION</u>	<u>PAGE</u>
1-20 SYSTEM CABINET OPTIONS	1-168
Contains information on Reconstruction Processor options for System cabinet	
1-21 OPERATOR WORKSPACE CATALOGS	1-170
Contains information on DASM's, Keyboards, Monitors, Table, and SOI long cables	
1-22 PDU CATALOGS	1-174
Contains information on Compact PDU's	
1-23 MAGNET MONITOR AND MODEM	1-175
Contains information on Magnet Montior equipment and cables, and Modem kits	
1-24 SYSTEM CABLE COLLECTORS	1-180
Contains information on system cables, hoses, and heat exchanger	
1-25 PDU CABLES	1-218
Contains information on PDU cables for all systems	
1-26 RF AND HELIAX CABLES	1-227
Contains information on RF and Heliax cables, and Penetration Panel adapters	
1-27 GRADIENT CABLES	1-234
Contains information on Gradient and GRAM cables for all systems	
1-28 FIBER OPTIC CABLES	1-237
Contains information on Fiber Optic cables for all systems	

1-1 5.x SYSTEM CATALOGS

CATALOG		M1000MA		FRU N	5.x 1.5T HORIZON BASE w/o MULTI-COIL
Item	Part Number	FRU	Name	Quantity	Description (Remarks)
1	46-244813G25	N	1.5 SHIP COL	1	1.5T SIGNA HORIZON SHIPPING COLLEC'R (SEE PAGE 1-93)
2	46-265300G1	N	TABLE ASM	1	LIGHTWEIGHT PATIENT TRANSPORT, PT1 (SEE SECTION 3)
3	46-271000G25	N	1.5 SR20 W/O	1	5.5 1.5T SR20 W/O MULTICOIL (SEE PAGE 1-157)
5	46-317998G10	N	CONSOLE/COMP	1	EMC COMPLIANT CONSOLE/COMP W/64MB (SEE PG 1-8)
12	46-301708G11	N	MODEM KIT	1	MR INSITE MODEM KIT W/O MODUM (SEE PAGE 1-7)
13	46-271363G604	2	CABLE ASM	1	(042T) MR3-A12 TO PD1-TS-7,8,9 47FT.

CATALOG		M1000MB		FRU N	5.x 1.5T HORIZON BASE with MULTI-COIL
Item	Part Number	FRU	Name	Quantity	Description (Remarks)
1	46-244813G25	N	1.5 SHIP COL	1	1.5T SIGNA HORIZON SHIPPING COLLEC'R (SEE PAGE 1-93)
2	46-265300G1	N	TABLE ASM	1	LIGHTWEIGHT PATIENT TRANSPORT, PT1 (SEE SECTION 3)
3	46-271000G26	N	1.5 SR20&M/C	1	5.5 1.5T SR20 W/MULTICOIL (SEE PAGE 1-157)
5	46-317998G10	N	CONSOLE/COMP	1	EMC COMPLIANT CONSOLE/COMP W/64MB (SEE PG 1-8)
12	46-301708G11	N	MODEM KIT	1	MR INSITE MODEM KIT W/O MODUM (SEE PAGE 1-7)
13	46-271363G604	2	CABLE ASM	1	(042T) MR3-A12 TO PD1-TS-7,8,9 47FT.

CATALOG		M1000MC		FRU N	5.x 1.5T HORIZON HiSpeed w/o MULTI-COIL
Item	Part Number	FRU	Name	Quantity	Description (Remarks)
1	46-244813G25	N	1.5 SHIP COL	1	1.5T SIGNA HORIZON SHIPPING COLLEC'R (SEE PAGE 1-93)
2	46-265300G1	N	TABLE ASM	1	LIGHTWEIGHT PATIENT TRANSPORT, PT1 (SEE SECTION 3)
3	46-271000G27	N	MR SYSTEM	1	5.5 1.5T SR77 W/O MULTICOIL (SEE PAGE 1-157)
5	46-317998G10	N	CONSOLE/COMP	1	EMC COMPLIANT CONSOLE/COMP W/64MB (SEE PG 1-8)
10	2120963-2	N	GRAD CBL KIT	1	GRADIENT AMP OUTPUT CABLES TO GRAM (SEE PG 1-234)
11	2121430	N	CABLE KIT	1	GRAM POWER & GRADIENT TO GRAM CBLES (SEE PG 1-234)
12	46-301708G11	N	MODEM KIT	1	MR INSITE MODEM KIT W/O MODUM (SEE PAGE 1-7)

CATALOG		M1000MD		FRU N	5.x 1.5T HORIZON HiSpeed with MULTI-COIL
Item	Part Number	FRU	Name	Quantity	Description (Remarks)
1	46-244813G25	N	1.5 SHIP COL	1	1.5T SIGNA HORIZON SHIPPING COLLEC'R (SEE PAGE 1-93)
2	46-265300G1	N	TABLE ASM	1	LIGHTWEIGHT PATIENT TRANSPORT, PT1 (SEE SECTION 3)
3	46-271000G28	N	1.5 SR77&M/C	1	5.5 1.5T SR77 WITH MULTICOIL (SEE PAGE 1-157)
5	46-317998G10	N	CONSOLE/COMP	1	EMC COMPLIANT CONSOLE/COMP W/64MB (SEE PG 1-8)
10	2120963-2	N	GRAD CBL KIT	1	GRADIENT AMP OUTPUT CABLES TO GRAM (SEE PG 1-234)
11	2121430	N	CABLE KIT	1	GRAM POWER & GRADIENT TO GRAM CBLES (SEE PG 1-234)
12	46-301708G11	N	MODEM KIT	1	MR INSITE MODEM KIT W/O MODUM (SEE PAGE 1-7)

CATALOG		M1000ME		FRU N	5.x 1.5T HORIZON EchoSpeed w/o MULTI-COIL
Item	Part Number	FRU	Name	Quantity	Description (Remarks)
1	46-244813G25	N	1.5 SHIP COL	1	1.5T SIGNA HORIZON SHIPPING COLLEC'R (SEE PAGE 1-93)
2	46-265300G1	N	TABLE ASM	1	LIGHTWEIGHT PATIENT TRANSPORT, PT1 (SEE SECTION 3)
3	46-271000G29	N	1.5 SR120W/O	1	5.5 1.5T SR120 WITHOUT MULTICOIL (SEE PAGE 1-157)
5	46-317998G10	N	CONSOLE/COMP	1	EMC COMPLIANT CONSOLE/COMP W/64MB (SEE PG 1-8)
10	2120963-2	N	GRAD CBL KIT	1	GRADIENT AMP OUTPUT CABLES TO GRAM (SEE PG 1-234)
11	2121430	N	CABLE KIT	1	GRAM POWER/GRADIENT TO GRAM CABLES (SEE PG 1-234)
12	46-301708G11	N	MODEM KIT	1	MR INSITE MODEM KIT W/O MODUM (SEE PAGE 1-7)
13	46-271363G604	2	CABLE ASM	1	(042T) MR3-A12 TO PD1-TS-7,8,9 47FT.

CATALOG M1000MF FRU N 5.x 1.5T HORIZON EchoSpeed with MULTI-COIL

Item	Part Number	FRU	Name	Quantity	Description (Remarks)
1	46-244813G25	N	1.5 SHIP COL	1	1.5T SIGNA HORIZON SHIPPING COLLEC'R (SEE PAGE 1-93)
2	46-265300G1	N	TABLE ASM	1	LIGHTWEIGHT PATIENT TRANSPORT, PT1 (SEE SECTION 3)
3	46-271000G30	N	1.5 SR120&MC	1	5.5 1.5T SR120 WITH MULTICOIL (SEE PAGE 1-158)
5	46-317998G10	N	CONSOLE/COMP	1	EMC COMPLIANT CONSOLE/COMP W/64MB (SEE PG 1-8)
10	2120963-2	N	GRAD CBL KIT	1	GRADIENT AMP OUTPUT CABLES TO GRAM (SEE PG 1-234)
11	2121430	N	CABLE KIT	1	GRAM POWER/GRADIENT TO GRAM CABLES (SEE PG 1-234)
12	46-301708G11	N	MODEM KIT	1	MR INSITE MODEM KIT W/O MODUM (SEE PAGE 1-7)
13	46-271363G604	2	CABLE ASM	1	(042T) MR3-A12 TO PD1-TS-7,8,9 47FT.

CATALOG M1000PM FRU N 5.x 1.5T FIXED SITE w/o MULTI-COIL

Item	Part Number	FRU	Name	Quantity	Description (Remarks)
1	46-282429G26	N	INSTALLATION	1	UFI 1.5T FIXED SITE W/O MULTICOIL (SEE PAGE 1-180)
19	46-301383G12	N	PP1 ASSEMBLY	1	UFI PENETRATION PANEL, NO MULTICOIL (SEE SECTION 4)
30	2118422-3	N	MAG ENCLOSRE	1	1.5T 5.5 FIXED MAGNET ENCL W/O MC (SEE SECTION 2)
31	2124201-3	N	CD-ROM	1	RELEASE 5.X SIGNA SERVICE METHODS

CATALOG M1001PM FRU N 5.x 1.5T S3/S5 FIXED SITE with MULTI-COIL

Item	Part Number	FRU	Name	Quantity	Description (Remarks)
1	46-282429G28	N	INSTALLATION	1	UFI 1.5T FIXED SITE WITH MULTICOIL (SEE PAGE 1-180)
19	46-301383G13	N	PEN PANEL	1	UFI PENETRATION PANEL, W/ MULTI-COIL (SEE SECTION 4)
30	2118422-5	N	MAG ENCLOSRE	1	5.5 1.5T FIXED MAGNET ENCL WITH M/C (SEE SECTION 2)

CATALOG M1020PM FRU N 5.x 1.5T SIII/SV T/R w/o MULTI-COIL

Item	Part Number	FRU	Name	Quantity	Description (Remarks)
1	46-282429G27	N	INSTALLATION	1	UFI 1.5T TR SITE WITHOUT MULTICOIL (SEE PAGE 1-180)
20	46-301383G12	N	PP1 ASSEMBLY	1	UFI PENETRATION PANEL, NO MULTICOIL (SEE SECTION 4)
30	2118422-2	N	MAG ENCLOSRE	1	1.5T 5.5 MOB MAGNET ENCLOSURE W/O MC (SEE SECTION 2)

CATALOG M1021PM FRU N 5.x 1.5T T/R with MULTI-COIL

Item	Part Number	FRU	Name	Quantity	Description (Remarks)
1	46-282429G29	N	INSTALLATION	1	UFI 1.5T T/R SITE WITH MULTICOIL (SEE PAGE 1-181)
20	46-301383G13	N	PEN PANEL	1	UFI PENETRATION PANEL, W/ MULTI-COIL (SEE SECTION 4)
30	2118422-4	N	MAG ENCLOSRE	1	5.5 1.5T T/R MAGNET ENCLOSURE (SEE SECTION 2)

CATALOG M1030PM FRU N 5.x 1.5T MAGNISHIELD SITE w/o MULTI-COIL

Item	Part Number	FRU	Name	Quantity	Description (Remarks)
1	46-282429G26	N	INSTALLATION	1	UFI 1.5T FIXED SITE W/O MULTICOIL (SEE PAGE 1-180)
19	46-301383G12	N	PP1 ASSEMBLY	1	UFI PENETRATION PANEL, NO MULTICOIL (SEE SECTION 4)
30	2118423	N	MAGNET ENCL	1	1.5T 5.5 MAGNISHIELD W/O MULTICOIL (SEE SECTION 2)

CATALOG M1031PM FRU N 5.x 1.5T MAGNISHIELD SITE with MULTI-COIL

Item	Part Number	FRU	Name	Quantity	Description (Remarks)
1	46-282429G28	N	INSTALLATION	1	UFI 1.5T FIXED SITE WITH MULTICOIL (SEE PAGE 1-180)
19	46-301383G13	N	PEN PANEL	1	UFI PENETRATION PANEL, W/ MULTI-COIL (SEE SECTION 4)
30	2118423-2	N	MAGNET ENCL	1	5.5 WIDE BODY MAG ENCL W/MULTICOIL (SEE SECTION 2)
32	2124201-3	N	CD-ROM	1	RELEASE 5.X SIGNA SERVICE METHODS

CATALOG M1800MA FRU N 5.x 1.0T HORIZON BASE w/o MULTI-COIL

Item	Part Number	FRU	Name	Quantity	Description (Remarks)
1	46-244813G65	N	1.0T SHIP'NG	1	1.0T SIGNA HORIZON SHIPPING COLLEC'R (SEE PAGE 1-96)
2	46-265300G1	N	TABLE ASM	1	LIGHTWEIGHT PATIENT TRANSPORT, PT1 (SEE SECTION 3)
3	46-271000G65	N	1.0 SR20 W/O	1	5.5 1.0T SR20 WITHOUT MULTICOIL (SEE PAGE 1-160)
5	46-317998G10	N	CONSOLE/COMP	1	EMC COMPLIANT CONSOLE/COMP W/64MB (SEE PG 1-8)
12	46-301708G11	N	MODEM KIT	1	MR INSITE MODEM KIT W/O MODUM (SEE PAGE 1-7)
13	46-271363G604	2	CABLE ASM	1	(042T) MR3-A12 TO PD1-TS-7,8,9 47FT.

CATALOG M1800MB FRU N 5.x 1.0T HORIZON BASE with MULTI-COIL

Item	Part Number	FRU	Name	Quantity	Description (Remarks)
1	46-244813G65	N	1.0T SHIP'NG	1	1.0T SIGNA HORIZON SHIPPING COLLEC'R (SEE PAGE 1-96)
2	46-265300G1	N	TABLE ASM	1	LIGHTWEIGHT PATIENT TRANSPORT, PT1 (SEE SECTION 3)
3	46-271000G66	N	1.0 SR20&M/C	1	5.5 1.0T SR20 WITH MULTICOIL (SEE PAGE 1-160)
5	46-317998G10	N	CONSOLE/COMP	1	EMC COMPLIANT CONSOLE/COMP W/64MB (SEE PG 1-8)
12	46-301708G11	N	MODEM KIT	1	MR INSITE MODEM KIT W/O MODUM (SEE PAGE 1-7)
13	46-271363G604	2	CABLE ASM	1	(042T) MR3-A12 TO PD1-TS-7,8,9 47FT.

CATALOG M1800MC FRU N 5.x 1.0T HORIZON HiSpeed w/o MULTI-COIL

Item	Part Number	FRU	Name	Quantity	Description (Remarks)
1	46-244813G65	N	1.0T SHIP'NG	1	1.0T SIGNA HORIZON SHIPPING COLLEC'R (SEE PAGE 1-96)
2	46-265300G1	N	TABLE ASM	1	LIGHTWEIGHT PATIENT TRANSPORT, PT1 (SEE SECTION 3)
3	46-271000G67	N	1.0 SR77 W/O	1	5.5 1.0T SR77 WITHOUT MULTICOIL (SEE PAGE 1-160)
5	46-317998G10	N	CONSOLE/COMP	1	EMC COMPLIANT CONSOLE/COMP W/64MB (SEE PG 1-8)
10	2120963-2	N	GRAD CBL KIT	1	GRADIENT AMP OUTPUT CABLES TO GRAM (SEE PG 1-234)
11	2121430	N	CABLE KIT	1	GRAM POWER & GRADIENT TO GRAM CBLES (SEE PG 1-234)
12	46-301708G11	N	MODEM KIT	1	MR INSITE MODEM KIT W/O MODUM (SEE PAGE 1-7)

CATALOG M1800MD FRU N 5.x 1.0T HORIZON HiSpeed with MULTI-COIL

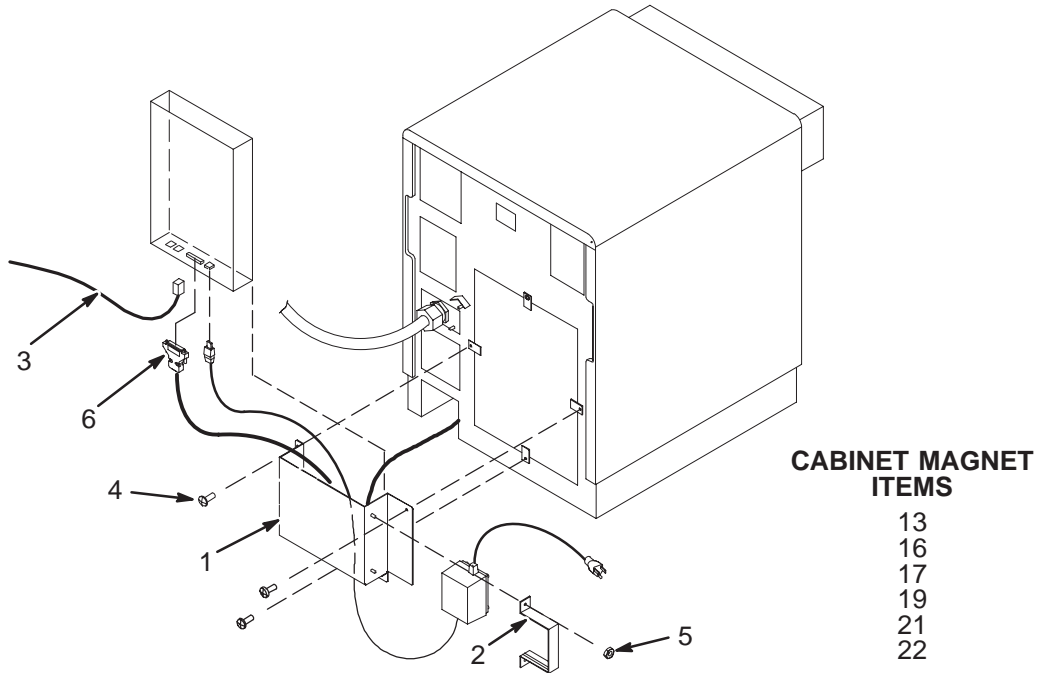
Item	Part Number	FRU	Name	Quantity	Description (Remarks)
1	46-244813G65	N	1.0T SHIP'NG	1	1.0T SIGNA HORIZON SHIPPING COLLEC'R (SEE PAGE 1-96)
2	46-265300G1	N	TABLE ASM	1	LIGHTWEIGHT PATIENT TRANSPORT, PT1 (SEE SECTION 3)
3	46-271000G68	N	1.0 SR77&M/C	1	5.5 1.0T SR77 WITH MULTICOIL (SEE PAGE 1-160)
5	46-317998G10	N	CONSOLE/COMP	1	EMC COMPLIANT CONSOLE/COMP W/64MB (SEE PG 1-8)
10	2120963-2	N	GRAD CBL KIT	1	GRADIENT AMP OUTPUT CABLES TO GRAM (SEE PG 1-234)
11	2121430	N	CABLE KIT	1	GRAM POWER & GRADIENT TO GRAM CBLES (SEE PG 1-234)
12	46-301708G11	N	MODEM KIT	1	MR INSITE MODEM KIT W/O MODUM (SEE PAGE 1-7)

CATALOG M1800PM FRU N 5.x 1.0T FIXED SITE w/o MULTI-COIL

Item	Part Number	FRU	Name	Quantity	Description (Remarks)
1	46-282429G63	N	INSTALLATION	1	UGI 1.0T FIXED SITE W/O MULTICOIL (SEE PAGE 1-184)
19	46-301383G12	N	PP1 ASSEMBLY	1	UFI PENETRATION PANEL, NO MULTICOIL (SEE SECTION 4)
30	2118422-7	N	MAG ENCLOSRE	1	5.5 1.0T FIXED MAG ENCL W/O M/C (SEE SECTION 2)
31	2124201-3	N	CD-ROM	1	RELEASE 5.X SIGNA SERVICE METHODS

5.x INSITE MODEM KIT

46-301708G11



5.x INSITE MODEM KIT

46-301708G11 FRU N

- (PART OF M1000MA PAGE 1-3)
- (PART OF M1000MB PAGE 1-3)
- (PART OF M1000MC PAGE 1-3)
- (PART OF M1000MD PAGE 1-3)
- (PART OF M1000ME PAGE 1-3)
- (PART OF M1000MF PAGE 1-4)
- (PART OF M1800MA PAGE 1-6)
- (PART OF M1800MB PAGE 1-6)
- (PART OF M1800MC PAGE 1-6)
- (PART OF M1800MD PAGE 1-6)

Item	Part Number	FRU	Name	Quantity	Description (Remarks)
1	46-313092G1	2	BRKT ASM	1	BRACKET TO MOUNT MODEM ON COMPUTER
2	46-313094G1	2	BRKT ASM	1	MODEM TRANSFORMER BRACKET ASM.
3	46-278763P1	2	LINE CORD	1	6 CONDUCTOR PHONE LINE CORD - 25 FT
4	46-170015P19	2	SCR,SEMS	3	6-32 X 3/8 LG BIND HD STL EXT TOOTH
5	46-170012P39	2	NUT,LOCK	2	10-32, 3/8" HEX KEPS NUT, 1/8" THICK
6	46-297005G3	2	CABLE	1	MODEM 6' 25 PIN
13	46-320095P1	2	ID MAGNETS	1	CABINET MAGNET - COMPUTER (MAIN)
16	46-320095P4	2	ID MAGNETS	1	CABINET MAGNET - PDU
17	46-320095P5	2	ID MAGNETS	1	CABINET MAGNET - SYSTEMS
19	46-320095P7	2	ID MAGNETS	1	CABINET MAGNET - GRADIENT
21	46-320095P13	2	ID MAGNETS	1	CABINET MAGNET - RF/PENETRATION
22	46-320095P14	2	ID MAGNETS	1	CABINET MAGNET - GRAM

CONSOLE/COMPUTER 46-317998G10 FRU N (PART OF M1000MC PAGE 1-3)
 (PART OF M1000MD PAGE 1-3)
 (PART OF M1000ME PAGE 1-3)
 (PART OF M1000MF PAGE 1-4)
 (PART OF M1800MC PAGE 1-6)
 (PART OF M1800MD PAGE 1-6)

Item	Part Number	FRU	Name	Quantity	Description (Remarks)
1	46-328213G6	N	MR-OC COMP'R	1	860-950531 MR OC COMPUTER (SEE SECTION 7)
2	2119590	N	EMC CONSOLE	1	OC1 OPERATOR CONSOLE, EMC COMPLIANT (SEE SEC. 5)
3	46-317995G1	N	OPTION I/F	1	CC1 I/F KIT FOR XCVR, VCR & LASRCM (SEE SECTION 7)
4	46-287998G1	N	HI PRFLE KIT	1	OPERATOR CONSOLE LEG RISER KIT (SEE SECTION 5)

CATALOG M1801PM FRU N 5.x 1.0T FIXED SITE with MULTI-COIL

Item	Part Number	FRU	Name	Quantity	Description (Remarks)
1	46-282429G66	N	INSTALLATION	1	UFI 1.0T FIXED SITE WITH MULTICOIL (SEE PAGE 1-185)
19	46-301383G13	N	PEN PANEL	1	UFI PENETRATION PANEL, W/ MULTI-COIL (SEE SECTION 4)
30	2118422-9	N	MAG ENCLOSRE	1	5.5 1.0T FXD MAG ENCL WITH MULTICOIL (SEE SECTION 2)

CATALOG M1810PM FRU N 5.x 1.0T MOBILE SITE w/o MULTI-COIL

Item	Part Number	FRU	Name	Quantity	Description (Remarks)
1	46-282429G65	N	INSTALLATION	1	UFI 1.0T MOBILE SITE W/O MULTICOIL (SEE PAGE 1-184)
20	46-301383G12	N	PP1 ASSEMBLY	1	UFI PENETRATION PANEL, NO MULTICOIL (SEE SECTION 4)
30	2118422-6	N	MAG ENCLOSRE	1	5.5 1.0T MOBILE MAG ENCL W/O M/C (SEE SECTION 2)

CATALOG M1811PM FRU N 5.x 1.0T MOBILE SITE with MULTI-COIL

Item	Part Number	FRU	Name	Quantity	Description (Remarks)
1	46-282429G68	N	INSTALLATION	1	UFI 1.0T MOBILE SITE WITH MULTICOIL (SEE PAGE 1-185)
20	46-301383G13	N	PEN PANEL	1	UFI PENETRATION PANEL, W/ MULTI-COIL (SEE SECTION 4)
30	2118422-8	N	MAG ENCLOSRE	1	5.5 1.0T MOB MAG ENCL W/MULTICOIL (SEE SECTION 2)

CATALOG M1820PM FRU N 5.x 1.0T T/R SITE w/o MULTI-COIL

Item	Part Number	FRU	Name	Quantity	Description (Remarks)
1	46-282429G64	N	INSTALLATION	1	UFI 1.0T T/R SITE W/O MULTICOIL (SEE PAGE 1-184)
20	46-301383G12	N	PP1 ASSEMBLY	1	UFI PENETRATION PANEL, NO MULTICOIL (SEE SECTION 4)
30	2118422-6	N	MAG ENCLOSRE	1	5.5 1.0T MOBILE MAG ENCL W/O M/C (SEE SECTION 2)

CATALOG M1821PM FRU N 5.x 1.0T T/R SITE with MULTI-COIL

Item	Part Number	FRU	Name	Quantity	Description (Remarks)
1	46-282429G67	N	INSTALLATION	1	UFI 1.0T T/R SITE WITH MULTICOIL (SEE PAGE 1-185)
20	46-301383G13	N	PEN PANEL	1	UFI PENETRATION PANEL, W/ MULTI-COIL (SEE SECTION 4)
30	2118422-8	N	MAG ENCLOSRE	1	5.5 1.0T MOB MAG ENCL W/MULTICOIL (SEE SECTION 2)

1-2 8.x SYSTEM CATALOGS

CATALOG		M1000NA FRU N		8.x 1.5T HORIZON BASE w/o MULTI-COIL	
Item	Part Number	FRU	Name	Quantity	Description (Remarks)
1	46-244813G27	N	ASSEMBLY	1	LX 1.5T SIGNA HORIZON SHIP COLLECTOR (SEE PAGE 1-94)
2	46-265300G1	N	TABLE ASM	1	LIGHTWEIGHT PATIENT TRANSPORT, PT1 (SEE SECTION 3)
3	46-271000G33	N	ASSEMBLY	1	LX 1.5T BASE SR20 W/O MULTICOIL (SEE PAGE 1-158)
13	46-271363G604	2	CABLE ASM	1	(042T) MR3-A12 TO PD1-TS-7,8,9 47FT.
14	2141978-5	1	WKSP I/F MOD	1	LIGHTNING WORKSPACE INTERFACE MODULE (SEE SEC. 13)
16A	2138599-2	1	LCD MONITOR	1	LCD DISPLAY (800 X 600); WITH CABLES (SEE SECTION 13)
16B	2138599	1	LCD MONITOR	ALT	LCD MONITOR FOR INTEGRATED WORKSPACE (SEE SEC. 13)
17	2154392	2	COLLECTOR	1	OPERATOR WORKSTATION CABLES/MRLX (SEE SECTION 13)
20	46-307830G1	N	POWER MODULE	1	POWER DISTRIBUTION BOX (SEE SECTION 13)
21	2160157	N	CABLE COVER	1	LIGHTNING CABLE COVER KIT (SEE SECTION 13)
23	2169940-28	1	COMPUTER	1	SGI OCTANE MOUSE
60	46-301708G14	N	8.0LX INSITE	1	8.0 LX INSITE KIT WITHOUT MODEM (SEE PAGE 1-179)

CATALOG		M1000ND FRU N		8.x 1.5T HORIZON BASE with MULTI-COIL	
Item	Part Number	FRU	Name	Quantity	Description (Remarks)
1	46-244813G27	N	ASSEMBLY	1	LX 1.5T SIGNA HORIZON SHIP COLLECTOR (SEE PAGE 1-94)
2	46-265300G1	N	TABLE ASM	1	LIGHTWEIGHT PATIENT TRANSPORT, PT1 (SEE SECTION 3)
3	46-271000G35	N	ASSEMBLY	1	LX 1.5T PERFORMANCE SR20 W/MULTICOIL (SEE PG 1-158)
13	46-271363G604	2	CABLE ASM	1	(042T) MR3-A12 TO PD1-TS-7,8,9 47FT.
14	2141978-5	1	WKSP I/F MOD	1	LIGHTNING WORKSPACE INTERFACE MODULE (SEE SEC. 13)
16A	2138599-2	1	LCD MONITOR	1	LCD DISPLAY (800 X 600); WITH CABLES (SEE SECTION 13)
16B	2138599	1	LCD MONITOR	ALT	LCD MONITOR FOR INTEGRATED WORKSPACE (SEE SEC. 13)
17	2154392	2	COLLECTOR	1	OPERATOR WORKSTATION CABLES/MRLX (SEE SECTION 13)
20	46-307830G1	N	POWER MODULE	1	POWER DISTRIBUTION BOX (SEE SECTION 13)
21	2160157	N	CABLE COVER	1	LIGHTNING CABLE COVER KIT (SEE SECTION 13)
23	2169940-28	1	COMPUTER	1	SGI OCTANE MOUSE
60	46-301708G14	N	8.0LX INSITE	1	8.0 LX INSITE KIT WITHOUT MODEM (SEE PAGE 1-179)

CATALOG		M1000NF FRU N		8.x 1.5T HORIZON HiSpeed with MULTI-COIL	
Item	Part Number	FRU	Name	Quantity	Description (Remarks)
1	46-244813G27	N	ASSEMBLY	1	LX 1.5T SIGNA HORIZON SHIP COLLECTOR (SEE PAGE 1-94)
2	46-265300G1	N	TABLE ASM	1	LIGHTWEIGHT PATIENT TRANSPORT, PT1 (SEE SECTION 3)
3	46-271000G36	N	ASSEMBLY	1	LX 1.5T PERFORMANCE SR77 W/MULTICOIL (SEE PG 1-158)
10	2120963-2	N	GRAD CBL KIT	1	GRADIENT AMP OUTPUT CABLES TO GRAM(SEE PAGE 1-234)
11	2121430	N	CABLE KIT	1	GRAM POWER & GRADIENT TO GRAM CBLES (SEE PG 1-234)
14	2141978-5	1	WKSP I/F MOD	1	LIGHTNING WORKSPACE INTERFACE MODULE (SEE SEC. 13)
16A	2138599-2	1	LCD MONITOR	1	LCD DISPLAY (800 X 600); WITH CABLES (SEE SECTION 13)
16B	2138599	1	LCD MONITOR	ALT	LCD MONITOR FOR INTEGRATED WORKSPACE (SEE SEC. 13)
17	2154392	2	COLLECTOR	1	OPERATOR WORKSTATION CABLES/MRLX (SEE SECTION 13)
20	46-307830G1	N	POWER MODULE	1	POWER DISTRIBUTION BOX (SEE SECTION 13)
21	2160157	N	CABLE COVER	1	LIGHTNING CABLE COVER KIT (SEE SECTION 13)
23	2169940-28	1	COMPUTER	1	SGI OCTANE MOUSE
60	46-301708G14	N	8.0LX INSITE	1	8.0 LX INSITE KIT WITHOUT MODEM (SEE PAGE 1-179)

CATALOG M1000NG FRU N 8.x 1.5T HORIZON EchoSpeed with MULTI-COIL

Item	Part Number	FRU	Name	Quantity	Description (Remarks)
1	46-244813G27	N	ASSEMBLY	1	LX 1.5T SIGNA HORIZON SHIP COLLECTOR (SEE PAGE 1-94)
2	46-265300G1	N	TABLE ASM	1	LIGHTWEIGHT PATIENT TRANSPORT, PT1 (SEE SECTION 3)
3	46-271000G37	N	ASSEMBLY	1	LX 1.5T PERFORMANCE SR120 WITH M/C (SEE PAGE 1-158)
10	2120963-2	N	GRAD CBL KIT	1	GRADIENT AMP OUTPUT CABLES TO GRAM(SEE PAGE 1-234)
11	2121430	N	CABLE KIT	1	GRAM POWER & GRADIENT TO GRAM CBLES (SEE PG 1-234)
13	46-271363G604	2	CABLE ASM	1	(042T) MR3-A12 TO PD1-TS-7,8,9 47FT.
14	2141978-5	1	WKSP I/F MOD	1	LIGHTNING WORKSPACE INTERFACE MODULE (SEE SEC. 13)
16A	2138599-2	1	LCD MONITOR	1	LCD DISPLAY (800 X 600); WITH CABLES (SEE SECTION 13)
16B	2138599	1	LCD MONITOR	ALT	LCD MONITOR FOR INTEGRATED WORKSPACE (SEE SEC. 13)
17	2154392	2	COLLECTOR	1	OPERATOR WORKSTATION CABLES/MRLX (SEE SECTION 13)
20	46-307830G1	N	POWER MODULE	1	POWER DISTRIBUTION BOX (SEE SECTION 13)
21	2160157	N	CABLE COVER	1	LIGHTNING CABLE COVER KIT (SEE SECTION 13)
23	2169940-28	1	COMPUTER	1	SGI OCTANE MOUSE
60	46-301708G14	N	8.0LX INSITE	1	8.0 LX INSITE KIT WITHOUT MODEM (SEE PAGE 1-179)

CATALOG M1000PN FRU N 8.x 1.5T FIXED SITE w/o MULTI-COIL

Item	Part Number	FRU	Name	Quantity	Description (Remarks)
1	46-282429G30	N	ASSEMBLY	1	LX 1.5T FIXED WITH OR W/O MULTICOIL (SEE PAGE 1-181)
2	46-301383G12	N	PP1 ASSEMBLY	1	UFI PENETRATION PANEL, NO MULTICOIL (SEE SECTION 4)
3	2118422-3	N	MAG ENCLOSRE	1	1.5T 5.5 FIXED MAGNET ENCL W/O MC (SEE SECTION 2)
4	2133388	N	PHANTOM KIT	1	SPT PHANTOM CART KIT (SEE PAGE 1-102)
104	2160623-3	N	DIRECTION	1	SIGNA RELEASE 8.X SERVICE METHODS

CATALOG M1001PN FRU N 8.x 1.5T S3/S5 FIXED SITE with MULTI-COIL

Item	Part Number	FRU	Name	Quantity	Description (Remarks)
1	46-282429G30	N	ASSEMBLY	1	LX 1.5T FIXED WITH OR W/O MULTICOIL (SEE PAGE 1-181)
2	46-301383G13	N	PEN PANEL	1	UFI PENETRATION PANEL, W/ MULTI-COIL (SEE SECTION 4)
3	2118422-5	N	MAG ENCLOSRE	1	5.5 1.5T FIXED MAGNET ENCL WITH M/C (SEE SECTION 2)
4	2133388	N	PHANTOM KIT	1	SPT PHANTOM CART KIT (SEE PAGE 1-102)
104	2160623-3	N	CD-ROM	1	SIGNA RELEASE 8.X SERVICE METHODS

CATALOG M1020PN FRU N 8.x 1.5T SIII/SV T/R w/o MULTI-COIL

Item	Part Number	FRU	Name	Quantity	Description (Remarks)
1	46-282429G31	N	ASSEMBLY	1	LX 1.5T T/R SITE WITH OR W/O MULTICL (SEE PAGE 1-181)
2	46-301383G12	N	PP1 ASSEMBLY	1	UFI PENETRATION PANEL, NO MULTICOIL (SEE SECTION 4)
3	2118422-2	N	MAG ENCLOSRE	1	1.5T 5.5 MOB MAGNET ENCLOSURE W/O MC (SEE SECTION 2)
4	2133388	N	PHANTOM KIT	1	SPT PHANTOM CART KIT (SEE PAGE 1-102)
104	2160623-3	N	CD-ROM	1	SIGNA RELEASE 8.X SERVICE METHODS

CATALOG M1021PN FRU N 8.x 1.5T T/R with MULTI-COIL

Item	Part Number	FRU	Name	Quantity	Description (Remarks)
1	46-282429G31	N	ASSEMBLY	1	LX 1.5T T/R SITE WITH OR W/O MULTICL (SEE PAGE 1-181)
2	46-301383G13	N	PEN PANEL	1	UFI PENETRATION PANEL, W/ MULTI-COIL (SEE SECTION 4)
3	2118422-4	N	MAG ENCLOSRE	1	5.5 1.5T T/R MAGNET ENCLOSURE (SEE SECTION 2)
4	2133388	N	PHANTOM KIT	1	SPT PHANTOM CART KIT (SEE PAGE 1-102)
104	2160623-3	N	DIRECTION	1	SIGNA RELEASE 8.X SERVICE METHODS

CATALOG M1030PN FRU N 8.x 1.5T MAGNISHIELD SITE w/o MULTI-COIL

Item	Part Number	FRU	Name	Quantity	Description (Remarks)
1	46-282429G30	N	ASSEMBLY	1	LX 1.5T FIXED WITH OR W/O MULTICOIL (SEE PAGE 1-181)
2	46-301383G12	N	PP1 ASSEMBLY	1	UFI PENETRATION PANEL, NO MULTICOIL (SEE SECTION 4)
3	2118423	N	MAGNET ENCL	1	ENCLOSURE WIDE BOD W/O MC (SEE SECTION 2)
4	2133388	N	PHANTOM KIT	1	SPT PHANTOM CART KIT (SEE PAGE 1-102)
104	2160623-3	N	CD-ROM	1	SIGNA RELEASE 8.X SERVICE METHODS

CATALOG M1031PN FRU N 8.x 1.5T MAGNISHIELD SITE with MULTI-COIL

Item	Part Number	FRU	Name	Quantity	Description (Remarks)
1	46-282429G30	N	ASSEMBLY	1	LX 1.5T FIXED WITH OR W/O MULTICOIL (SEE PAGE 1-181)
2	46-301383G13	N	PEN PANEL	1	UFI PENETRATION PANEL, W/ MULTI-COIL (SEE SECTION 4)
3	2118423-2	N	MAGNET ENCL	1	5.5 WIDE BODY MAG ENCL W/MULTICOIL (SEE SECTION 2)
4	2133388	N	PHANTOM KIT	1	SPT PHANTOM CART KIT (SEE PAGE 1-102)
104	2160623-3	N	CD-ROM	1	SIGNA RELEASE 8.X SERVICE METHODS

CATALOG		M1800NA	FRU N	8.x 1.0T HORIZON BASE w/o MULTI-COIL	
Item	Part Number	FRU	Name	Quantity	Description (Remarks)
1	46-244813G67	N	ASSEMBLY	1	LX 1.0T SIGNA HORIZON SHIP COLLECTOR (SEE PAGE 1-97)
2	46-265300G1	N	TABLE ASM	1	LIGHTWEIGHT PATIENT TRANSPORT, PT1 (SEE SECTION 3)
3	46-271000G73	N	LX SR20 W/O	1	LX 1.0T BASE SR20 WITHOUT MULTICOIL (SEE PAGE 1-161)
13	46-271363G604	2	CABLE ASM	1	(042T) MR3-A12 TO PD1-TS-7,8,9 47FT.
14	2141978-5	1	WKSP I/F MOD	1	LIGHTNING WORKSPACE INTERFACE MODULE (SEE SEC. 13)
16A	2138599-2	1	LCD MONITOR	1	LCD DISPLAY (800 X 600); WITH CABLES (SEE SECTION 13)
16B	2138599	1	LCD MONITOR	ALT	LCD MONITOR FOR INTEGRATED WORKSPACE (SEE SEC. 13)
17	2154392	2	COLLECTOR	1	OPERATOR WORKSTATION CABLES/MRLX (SEE SECTION 13)
20	46-307830G1	N	POWER MODULE	1	POWER DISTRIBUTION BOX (SEE SECTION 13)
21	2160157	N	CABLE COVER	1	LIGHTNING CABLE COVER KIT (SEE SECTION 13)
23	2169940-28	1	COMPUTER	1	SGI OCTANE MOUSE
60	46-301708G14	N	8.0LX INSITE	1	8.0 LX INSITE KIT WITHOUT MODEM (SEE PAGE 1-179)

CATALOG		M1800ND	FRU N	8.x 1.0T HORIZON BASE with MULTI-COIL	
Item	Part Number	FRU	Name	Quantity	Description (Remarks)
1	46-244813G67	N	ASSEMBLY	1	LX 1.0T SIGNA HORIZON SHIP COLLECTOR (SEE PAGE 1-97)
2	46-265300G1	N	TABLE ASM	1	LIGHTWEIGHT PATIENT TRANSPORT, PT1 (SEE SECTION 3)
3	46-271000G76	N	ASSEMBLY	1	LX 1.0T PERFORMANC SR20 W/MULTICOIL (SEE PAGE 1-161)
13	46-271363G604	2	CABLE ASM	1	(042T) MR3-A12 TO PD1-TS-7,8,9 47FT.
14	2141978-5	1	WKSP I/F MOD	1	LIGHTNING WORKSPACE INTERFACE MODULE (SEE SEC. 13)
16A	2138599-2	1	LCD MONITOR	1	LCD DISPLAY (800 X 600); WITH CABLES (SEE SECTION 13)
16B	2138599	1	LCD MONITOR	ALT	LCD MONITOR FOR INTEGRATED WORKSPACE (SEE SEC. 13)
17	2154392	2	COLLECTOR	1	OPERATOR WORKSTATION CABLES/MRLX (SEE SECTION 13)
20	46-307830G1	N	POWER MODULE	1	POWER DISTRIBUTION BOX (SEE SECTION 13)
21	2160157	N	CABLE COVER	1	LIGHTNING CABLE COVER KIT (SEE SECTION 13)
23	2169940-28	1	COMPUTER	1	SGI OCTANE MOUSE
60	46-301708G14	N	8.0LX INSITE	1	8.0 LX INSITE KIT WITHOUT MODEM (SEE PAGE 1-179)

CATALOG		M1800NE	FRU N	8.x 1.0T HORIZON HiSpeed w/o MULTI-COIL	
Item	Part Number	FRU	Name	Quantity	Description (Remarks)
1	46-244813G67	N	ASSEMBLY	1	LX 1.0T SIGNA HORIZON SHIP COLLECTOR (SEE PAGE 1-97)
2	46-265300G1	N	TABLE ASM	1	LIGHTWEIGHT PATIENT TRANSPORT, PT1 (SEE SECTION 3)
3	46-271000G77	N	ASSEMBLY	1	LX 1.0T PERFORMANCE SR77 W/O MULTICL (SEE PAGE 1-161)
10	2120963-3	1	KIT OF PARTS	1	GRADIENT CABLE KIT FOR MOBILES (SEE PAGE 1-235)
11	2121430	N	CABLE KIT	1	GRAM POWER & GRADIENT TO GRAM CBLES (SEE PG 1-234)
14	2141978-2	1	WKSP I/F MOD	1	LIGHTNING WORKSPACE INTERFACE MODULE (SEE SEC. 13)
16A	2138599-2	1	LCD MONITOR	1	LCD DISPLAY (800 X 600) WITH CABLES (SEE SECTION 13)
16B	2138599	1	LCD MONITOR	ALT	LCD MONITOR FOR INTEGRATED WORKSPACE (SEE SEC. 13)
17	2154392	2	COLLECTOR	1	OPERATOR WORKSTATION CABLES/MRLX (SEE SECTION 13)
20	46-307830G1	N	POWER MODULE	1	POWER DISTRIBUTION BOX (SEE SECTION 13)
21	2160157	N	CABLE COVER	1	LIGHTNING CABLE COVER KIT (SEE SECTION 13)
23	2169940-28	1	COMPUTER	1	SGI OCTANE MOUSE
60	46-301708G14	N	8.0LX INSITE	1	8.0 LX INSITE KIT WITHOUT MODEM (SEE PAGE 1-179)

CATALOG		M1800NF FRU N		8.x 1.0T HORIZON HiSpeed with MULTI-COIL	
Item	Part Number	FRU	Name	Quantity	Description (Remarks)
1	46-244813G67	N	ASSEMBLY	1	LX 1.0T SIGNA HORIZON SHIP COLLECTOR (SEE PAGE 1-97)
2	46-265300G1	N	TABLE ASM	1	LIGHTWEIGHT PATIENT TRANSPORT, PT1 (SEE SECTION 3)
3	46-271000G78	N	ASSEMBLY	1	LX 1.0T PERFORMANCE SR77 W/MULTICOIL (SEE PG 1-161)
10	2120963-2	N	GRAD CBL KIT	1	GRADIENT AMP OUTPUT CABLES TO GRAM (SEE PG 1-234)
11	2121430	N	CABLE KIT	1	GRAM POWER & GRADIENT TO GRAM CBLES (SEE PG 1-234)
14	2141978-5	1	WKSP I/F MOD	1	LIGHTNING WORKSPACE INTERFACE MODULE (SEE SEC. 13)
16A	2138599-2	1	LCD MONITOR	1	LCD DISPLAY (800 X 600); WITH CABLES (SEE SECTION 13)
16B	2138599	1	LCD MONITOR	ALT	LCD MONITOR FOR INTEGRATED WORKSPACE (SEE SEC. 13)
17	2154392	2	COLLECTOR	1	OPERATOR WORKSTATION CABLES/MRLX (SEE SECTION 13)
20	46-307830G1	N	POWER MODULE	1	POWER DISTRIBUTION BOX (SEE SECTION 13)
21	2160157	N	CABLE COVER	1	LIGHTNING CABLE COVER KIT (SEE SECTION 13)
23	2169940-28	1	COMPUTER	1	SIG OCTANE MOUSE
60	46-301708G14	N	8.0LX INSITE	1	8.0 LX INSITE KIT WITHOUT MODEM (SEE PAGE 1-179)

CATALOG M1800PN FRU N 8.x 1.0T FIXED SITE w/o MULTI-COIL

Item	Part Number	FRU	Name	Quantity	Description (Remarks)
1	46-282429G69	N	ASSEMBLY	1	LX 1.0T FIXED SITE WITH OR W/O M/C (SEE PAGE 1-185)
2	46-301383G12	N	PP1 ASSEMBLY	1	UFI PENETRATION PANEL, NO MULTICOIL (SEE SECTION 4)
3	2118422-7	N	MAG ENCLOSRE	1	1.0T FIXED MAGNET ENCLOSURE W/O M/C (SEE SECTION 2)
4	2133388	N	PHANTOM KIT	1	SPT PHANTOM CART KIT (SEE PAGE 1-102)
104	2160623-3	N	DIRECTION	1	SIGNA LX SERVICE METHODS CD-ROM

CATALOG M1801PN FRU N 8.x 1.0T FIXED SITE with MULTI-COIL

Item	Part Number	FRU	Name	Quantity	Description (Remarks)
1	46-282429G69	N	ASSEMBLY	1	LX 1.0T FIXED SITE WITH OR W/O M/C (SEE PAGE 1-185)
2	46-301383G13	N	PEN PANEL	1	UFI PENETRATION PANEL, W/ MULTI-COIL (SEE SECTION 4)
3	2118422-9	N	MAG ENCLOSRE	1	UFI 1.0T FXD MAG ENCL WITH MULTICOIL (SEE SECTION 2)
4	2133388	N	PHANTOM KIT	1	SPT PHANTOM CART KIT (SEE PAGE 1-102)

CATALOG M1810PN FRU N 8.x 1.0T MOBILE SITE w/o MULTI-COIL

Item	Part Number	FRU	Name	Quantity	Description (Remarks)
1	46-282429G71	N	ASSEMBLY	1	LX 1.0T MOBILE SITE WITH OR W/O M/C (SEE PAGE 1-186)
2	46-301383G12	N	PP1 ASSEMBLY	1	UFI PENETRATION PANEL, NO MULTICOIL (SEE SECTION 4)
3	2118422-6	N	MAG ENCLOSRE	1	5.5 1.0T MOBILE MAG ENCL W/O M/C (SEE SECTION 2)
4	2133388-2	N	ASSEMBLY	1	SPT PHANTOM CART KIT MINUS CART (SEE PAGE 1-102)

CATALOG M1811PN FRU N 8.x 1.0T MOBILE SITE with MULTI-COIL

Item	Part Number	FRU	Name	Quantity	Description (Remarks)
1	46-282429G71	N	ASSEMBLY	1	LX 1.0T MOBILE SITE WITH OR W/O M/C (SEE PAGE 1-186)
2	46-301383G13	N	PEN PANEL	1	UFI PENETRATION PANEL, W/ MULTI-COIL (SEE SECTION 4)
3	2118422-8	N	MAG ENCLOSRE	1	5.5 1.0T MOB MAG ENCL W/MULTICOIL (SEE SECTION 2)
4	2133388-2	N	ASSEMBLY	1	SPT PHANTOM CART KIT MINUS CART (SEE PAGE 1-102)

CATALOG M1820PN FRU N 8.x 1.0T T/R SITE w/o MULTI-COIL

Item	Part Number	FRU	Name	Quantity	Description (Remarks)
1	46-282429G70	N	ASSEMBLY	1	LX 1.0T T/R SITE WITH OR W/O MULTICL (SEE PAGE 1-186)
2	46-301383G12	N	PP1 ASSEMBLY	1	UFI PENETRATION PANEL, NO MULTICOIL (SEE SECTION 4)
3	2118422-6	N	MAG ENCLOSRE	1	5.5 1.0T MOBILE MAG ENCL W/O M/C (SEE SECTION 2)
4	2133388	N	PHANTOM KIT	1	SPT PHANTOM CART KIT (SEE PAGE 1-102)

CATALOG M1821PN FRU N 8.x 1.0T T/R SITE with MULTI-COIL

Item	Part Number	FRU	Name	Quantity	Description (Remarks)
1	46-282429G70	N	ASSEMBLY	1	LX 1.0T T/R SITE WITH OR W/O MULTICL (SEE PAGE 1-186)
2	46-301383G13	N	PEN PANEL	1	UFI PENETRATION PANEL, W/ MULTI-COIL (SEE SECTION 4)
3	2118422-8	N	MAG ENCLOSRE	1	5.5 1.0T MOB MAG ENCL W/MULTICOIL (SEE SECTION 2)
4	2133388	N	PHANTOM KIT	1	SPT PHANTOM CART KIT (SEE PAGE 1-102)

1-3 LX SGD SYSTEM CATALOGS

CATALOG M1000PR FRU N LX SGD 1.5T SIII/SV FIXED SITE w/o MULTI-COIL

Item	Part Number	FRU	Name	Quantity	Description (Remarks)
1	46-282429G36	N	INSTALLATION	1	LX SGD 1.5T FIXED WITH OR W/O MC (SEE PAGE 1-182)
2	46-301383G12	N	PP1 ASSEMBLY	1	UFI PENETRATION PANEL, NO MULTICOIL (SEE SECTION 4)
3	2118422-3	N	MAG ENCLOSRE	1	1.5T 5.5 FIXED MAGNET ENCL W/O MC (SEE SECTION 2)
4	2133388	N	PHANTOM KIT	1	SPT PHANTOM CART KIT (SEE PAGE 1-102)
104	2160623-3	N	DIRECTION	1	SIGNA RELEASE LX SERVICE METHODS

CATALOG M1001PR FRU N LX SGD 1.5T S3/S5 FIXED SITE with MULTI-COIL

Item	Part Number	FRU	Name	Quantity	Description (Remarks)
1	46-282429G36	N	INSTALLATION	1	LX SGD 1.5T FIXED WITH OR W/O MC (SEE PAGE 1-182)
2	46-301383G13	N	PEN PANEL	1	UFI PENETRATION PANEL, W/ MULTI-COIL (SEE SECTION 4)
3	2118422-5	N	MAG ENCLOSRE	1	5.5 1.5T FIXED MAGNET ENCL WITH M/C (SEE SECTION 2)
4	2133388	N	PHANTOM KIT	1	SPT PHANTOM CART KIT (SEE PAGE 1-102)
104	2160623-3	N	CD-ROM	1	SIGNA RELEASE LX SERVICE METHODS

CATALOG M1020PR FRU N LX SGD 1.5T SIII/SV T/R SITE w/o MULTI-COIL

Item	Part Number	FRU	Name	Quantity	Description (Remarks)
1	46-282429G37	N	INSTALLATION	1	LX SGD 1.5T T/R SITE WITH OR W/O MC (SEE PAGE 1-183)
2	46-301383G12	N	PP1 ASSEMBLY	1	UFI PENETRATION PANEL, NO MULTICOIL (SEE SECTION 4)
3	2118422-4	N	MAG ENCLOSRE	1	1.5T 5.5 T/R MAGNET ENCLOSURE W/O MC (SEE SECTION 2)
4	2133388	N	PHANTOM KIT	1	SPT PHANTOM CART KIT (SEE PAGE 1-102)
104	2160623-3	N	CD-ROM	1	SIGNA RELEASE LX SERVICE METHODS

CATALOG M1021PR FRU N LX SGD 1.5T SIII/SV T/R SITE with MULTI-COIL

Item	Part Number	FRU	Name	Quantity	Description (Remarks)
1	46-282429G37	N	INSTALLATION	1	LX SGD 1.5T T/R SITE WITH OR W/O MC (SEE PAGE 1-183)
2	46-301383G13	N	PEN PANEL	1	UFI PENETRATION PANEL, W/ MULTI-COIL (SEE SECTION 4)
3	2118422-4	N	MAG ENCLOSRE	1	5.5 1.5T T/R MAGNET ENCLOSURE (SEE SECTION 2)
4	2133388	N	PHANTOM KIT	1	SPT PHANTOM CART KIT (SEE PAGE 1-102)

CATALOG M1030PR FRU N LX SGD 1.5T SIII MAGNISHIELD SITE w/o MULTI-COIL

Item	Part Number	FRU	Name	Quantity	Description (Remarks)
1	46-282429G36	N	INSTALLATION	1	LX SGD 1.5T FIXD WITH OR W/O MULTICOIL (SEE PAGE 1-182)
2	46-301383G12	N	PP1 ASSEMBLY	1	UFI PENETRATION PANEL, NO MULTICOIL (SEE SECTION 4)
3	2118423	N	MAGNET ENCL	1	ENCLOSURE WIDE BOD W/O MC (SEE SECTION 2)
4	2133388	N	PHANTOM KIT	1	SPT PHANTOM CART KIT (SEE PAGE 1-102)
104	2160623-3	N	CD-ROM	1	SIGNA RELEASE LX SERVICE METHODS

CATALOG M1031PR FRU N LX SGD 1.5T SIII MAGNISHIELD SITE with MULTI-COIL

Item	Part Number	FRU	Name	Quantity	Description (Remarks)
1	46-282429G36	N	INSTALLATION	1	LX SGD 1.5T FIXD WITH OR W/O MULTICOIL (SEE PAGE 1-182)
2	46-301383G13	N	PEN PANEL	1	UFI PENETRATION PANEL, W/ MULTI-COIL (SEE SECTION 4)
3	2118423-2	N	MAGNET ENCL	1	5.5 WIDE BODY MAG ENCL W/MULTICOIL (SEE SECTION 2)
4	2133388	N	PHANTOM KIT	1	SPT PHANTOM CART KIT (SEE PAGE 1-102)
104	2160623-3	N	CD-ROM	1	SIGNA RELEASE LX SERVICE METHODS

CATALOG M1000RA FRU N LX SGD 1.5T HORIZON BASE w/o MULTI-COIL

Item	Part Number	FRU	Name	Quantity	Description (Remarks)
1	46-244813G27	N	ASSEMBLY	1	LX 1.5T SIGNA HORIZON SHIP COLLECTOR (SEE PAGE 1-94)
2	46-265300G1	N	TABLE ASM	1	LIGHTWEIGHT PATIENT TRANSPORT, PT1 (SEE SECTION 3)
3	46-271000G50	N	MR SYSTEM	1	LX SGD 1.5T HORIZON W/O PHASED ARRAY (SEE PAGE 1-159)
10	2210341	1	MEDIA	1	LX SR20 OPTION S/W
14	2141978-5	1	WKSP I/F MOD	1	LIGHTNING WORKSPACE INTERFACE MODULE (SEE SEC. 13)
16	2138599-2	1	LCD MONITOR	1	LCD DISPLAY (800 X 600) WITH CABLES (SEE SEC. 13)
17	2154392	2	COLLECTOR	1	OPERATOR WORKSTATION CABLES/MRLX (SEE SECTION 13)
20	46-307830G1	N	POWER MODULE	1	POWER DISTRIBUTION BOX (SEE SECTION 13)
21	2160157	N	CABLE COVER	1	LIGHTNING CABLE COVER KIT (SEE SECTION 13)
23	2169940-28	1	COMPUTER	1	SGI OCTANE MOUSE
60	46-301708G14	N	8.0LX INSITE	1	8.0 LX INSITE KIT WITHOUT MODEM (SEE PAGE 1-179)

CATALOG M1000RD FRU N LX SGD 1.5T HORIZON BASE with MULTI-COIL

Item	Part Number	FRU	Name	Quantity	Description (Remarks)
1	46-244813G27	N	ASSEMBLY	1	LX 1.5T SIGNA HORIZON SHIP COLLECTOR (SEE PAGE 1-94)
2	46-265300G1	N	TABLE ASM	1	LIGHTWEIGHT PATIENT TRANSPORT, PT1 (SEE SECTION 3)
3	46-271000G51	N	MR SYSTEM	1	LX SGD 1.5T HORIZON W/PHASED ARRAY (SEE PAGE 1-159)
10	2210341	1	MEDIA	1	LX SR20 OPTION S/W
14	2141978-5	1	WKSP I/F MOD	1	LIGHTNING WORKSPACE INTERFACE MODULE (SEE SEC. 13)
16	2138599-2	1	LCD MONITOR	1	LCD DISPLAY (800 X 600) WITH CABLES (SEE SEC. 13)
17	2154392	2	COLLECTOR	1	OPERATOR WORKSTATION CABLES/MRLX (SEE SECTION 13)
20	46-307830G1	N	POWER MODULE	1	POWER DISTRIBUTION BOX (SEE SECTION 13)
21	2160157	N	CABLE COVER	1	LIGHTNING CABLE COVER KIT (SEE SECTION 13)
23	2169940-28	1	COMPUTER	1	SGI OCTANE MOUSE
60	46-301708G14	N	8.0LX INSITE	1	8.0 LX INSITE KIT WITHOUT MODEM (SEE PAGE 1-179)

CATALOG M1000RF FRU N LX SGD 1.5T HORIZON HiSpeed with MULTI-COIL

Item	Part Number	FRU	Name	Quantity	Description (Remarks)
1	46-244813G27	N	ASSEMBLY	1	LX 1.5T SIGNA HORIZON SHIP COLLECTOR (SEE PAGE 1-94)
2	46-265300G1	N	TABLE ASM	1	LIGHTWEIGHT PATIENT TRANSPORT, PT1 (SEE SECTION 3)
3	46-271000G52	N	MR SYSTEM	1	LX SGD 1.5T HiSpeed W/PHASED ARRAY (SEE PAGE 1-159)
10	2210340	1	MEDIA	1	LX SR77/120 OPTION S/W
13	46-271363G7	2	CABLE ASM	1	(042T) MR3CABI/FJ7 TO PD1-A2
14	2141978-5	1	WKSP I/F MOD	1	LIGHTNING WORKSPACE INTERFACE MODULE (SEE SEC. 13)
16	2138599-2	1	LCD MONITOR	1	LCD DISPLAY (800 X 600) WITH CABLES (SEE SECTION 13)
17	2154392	2	COLLECTOR	1	OPERATOR WORKSTATION CABLES/MRLX (SEE SECTION 13)
20	46-307830G1	N	POWER MODULE	1	POWER DISTRIBUTION BOX (SEE SECTION 13)
21	2160157	N	CABLE COVER	1	LIGHTNING CABLE COVER KIT (SEE SECTION 13)
23	2169940-28	1	COMPUTER	1	SGI OCTANE MOUSE
60	46-301708G14	N	8.0LX INSITE	1	8.0 LX INSITE KIT WITHOUT MODEM (SEE PAGE 1-179)

CATALOG		M1000RG FRU N		LX SGD 1.5T HORIZON EchoSpeed with MULTI-COIL	
Item	Part Number	FRU	Name	Quantity	Description (Remarks)
1	46-244813G27	N	ASSEMBLY	1	LX 1.5T SIGNA HORIZON SHIP COLLECTOR (SEE PAGE 1-94)
2	46-265300G1	N	TABLE ASM	1	LIGHTWEIGHT PATIENT TRANSPORT, PT1 (SEE SECTION 3)
3	46-271000G53	N	MR SYSTEM	1	LX SGD 1.5T EchoSpeed W/PHASD ARRAY (SEE PAGE 1-159)
10	2210340	1	MEDIA	1	LX SR77/120 OPTION S/W
13	46-271363G7	2	CABLE ASM	1	(042T) MR3CABI/FJ7 TO PD1-A2
14	2141978-5	1	WKSP I/F MOD	1	LIGHTNING WORKSPACE INTERFACE MODULE (SEE SEC. 13)
16	2138599-2	1	LCD MONITOR	1	LCD DISPLAY (800 X 600) WITH CABLES (SEE SECTION 13)
17	2154392	2	COLLECTOR	1	OPERATOR WORKSTATION CABLES/MRLX (SEE SECTION 13)
20	46-307830G1	N	POWER MODULE	1	POWER DISTRIBUTION BOX (SEE SECTION 13)
21	2160157	N	CABLE COVER	1	LIGHTNING CABLE COVER KIT (SEE SECTION 13)
23	2169940-28	1	COMPUTER	1	SGI OCTANE MOUSE
60	46-301708G14	N	8.0LX INSITE	1	8.0 LX INSITE KIT WITHOUT MODEM (SEE PAGE 1-179)
70	2210001	N	ASSEMBLY	1	EchoSpeed OPTION KEY COLLECTOR (SEE PAGE 1-42)

CATALOG		M1800PR	FRU N	LX SGD 1.0T SX FIXED SITE with OR w/o MULTI-COIL	
Item	Part Number	FRU	Name	Quantity	Description (Remarks)
1	46-282429G72	N	ASSEMBLY	1	LX 1.0T SGD FIXED SITE WITH OR W/O MC (SEE PAGE 1-186)
2	46-301383G12	N	PP1 ASSEMBLY	1	UFI PENETRATION PANEL, NO MULTICOIL (SEE SECTION 4)
3	2118422-7	N	MAG ENCLOSRE	1	1.0T FIXED MAGNET ENCLOSURE W/O M/C (SEE SECTION 2)
4	2133388	N	PHANTOM KIT	1	SPT PHANTOM CART KIT (SEE PAGE 1-102)
104	2160623-3	N	DIRECTION	1	SIGNA LX SERVICE METHODS CD-ROM

CATALOG		M1800RA	FRU N	LX SGD 1.0T HORIZON BASE w/o MULTI-COIL	
Item	Part Number	FRU	Name	Quantity	Description (Remarks)
1	46-244813G67	N	ASSEMBLY	1	LX 1.0T SIGNA HORIZON SHIP COLLECTOR (SEE PAGE 1-97)
2	46-265300G1	N	TABLE ASM	1	LIGHTWEIGHT PATIENT TRANSPORT, PT1 (SEE SECTION 3)
3	46-271000G79	N	MR SYSTEM	1	LX SGD 1.0T HORIZON W/O PHASED ARRAY (SEE PAGE 1-161)
10	2210341	1	MEDIA	1	LX SR20 OPTION S/W
14	2141978-5	1	WKSP I/F MOD	1	LIGHTNING WORKSPACE INTERFACE MODULE (SEE SEC. 13)
16	2138599-2	1	LCD MONITOR	1	LCD DISPLAY (800 X 600) WITH CABLES (SEE SECTION 13)
17	2154392	2	COLLECTOR	1	OPERATOR WORKSTATION CABLES/MRLX (SEE SECTION 13)
20	46-307830G1	N	POWER MODULE	1	POWER DISTRIBUTION BOX (SEE SECTION 13)
21	2160157	N	CABLE COVER	1	LIGHTNING CABLE COVER KIT (SEE SECTION 13)
23	2169940-28	1	COMPUTER	1	SGI OCTANE MOUSE
60	46-301708G14	N	8.0LX INSITE	1	8.0 LX INSITE KIT WITHOUT MODEM (SEE PAGE 1-179)

CATALOG		M1800RD	FRU N	LX SGD 1.0T HORIZON BASE with MULTI-COIL	
Item	Part Number	FRU	Name	Quantity	Description (Remarks)
1	46-244813G67	N	ASSEMBLY	1	LX 1.0T SIGNA HORIZON SHIP COLLECTOR (SEE PAGE 1-97)
2	46-265300G1	N	TABLE ASM	1	LIGHTWEIGHT PATIENT TRANSPORT, PT1 (SEE SECTION 3)
3	46-271000G80	N	MR SYSTEM	1	LX SGD 1.0T HORIZON W/PHASED ARRAY (SEE PAGE 1-162)
10	2210341	1	MEDIA	1	LX SR20 OPTION S/W
14	2141978-5	1	WKSP I/F MOD	1	LIGHTNING WORKSPACE INTERFACE MODULE (SEE SEC. 13)
16	2138599-2	1	LCD MONITOR	1	LCD DISPLAY (800 X 600) WITH CABLES (SEE SECTION 13)
17	2154392	2	COLLECTOR	1	OPERATOR WORKSTATION CABLES/MRLX (SEE SECTION 13)
20	46-307830G1	N	POWER MODULE	1	POWER DISTRIBUTION BOX (SEE SECTION 13)
21	2160157	N	CABLE COVER	1	LIGHTNING CABLE COVER KIT (SEE SECTION 13)
23	2169940-28	1	COMPUTER	1	SGI OCTANE MOUSE
60	46-301708G14	N	8.0LX INSITE	1	8.0 LX INSITE KIT WITHOUT MODEM (SEE PAGE 1-179)

CATALOG		M1800RE	FRU N	LX SGD 1.0T HORIZON HiSpeed w/o MULTI-COIL	
Item	Part Number	FRU	Name	Quantity	Description (Remarks)
1	46-244813G67	N	ASSEMBLY	1	LX 1.0T SIGNA HORIZON SHIP COLLECTOR (SEE PAGE 1-97)
2	46-265300G1	N	TABLE ASM	1	LIGHTWEIGHT PATIENT TRANSPORT, PT1 (SEE SECTION 3)
3	46-271000G81	N	MR SYSTEM	1	LX SGD 1.0T HiSpeed W/O PHASED ARRAY (SEE PAGE 1-162)
10	2210340	1	MEDIA	1	LX SR77/120 OPTION S/W
13	46-271363G7	2	CABLE ASM	1	(042T) MR3CABI/FJ7 TO PD1-A2
14	2141978-5	1	WKSP I/F MOD	1	LIGHTNING WORKSPACE INTERFACE MODULE (SEE SEC. 13)
16	2138599-2	1	LCD MONITOR	1	LCD DISPLAY (800 X 600) WITH CABLES (SEE SECTION 13)
17	2154392	2	COLLECTOR	1	OPERATOR WORKSTATION CABLES/MRLX (SEE SECTION 13)
20	46-307830G1	N	POWER MODULE	1	POWER DISTRIBUTION BOX (SEE SECTION 13)
21	2160157	N	CABLE COVER	1	LIGHTNING CABLE COVER KIT (SEE SECTION 13)
23	2169940-28	1	COMPUTER	1	SGI OCTANE MOUSE
60	46-301708G14	N	8.0LX INSITE	1	8.0 LX INSITE KIT WITHOUT MODEM (SEE PAGE 1-179)

CATALOG		M1800RF	FRU N	LX SGD 1.0T HORIZON HiSpeed with MULTI-COIL	
Item	Part Number	FRU	Name	Quantity	Description (Remarks)
1	46-244813G67	N	ASSEMBLY	1	LX 1.0T SIGNA HORIZON SHIP COLLECTOR (SEE PAGE 1-97)
2	46-265300G1	N	TABLE ASM	1	LIGHTWEIGHT PATIENT TRANSPORT, PT1 (SEE SECTION 13)
3	46-271000G82	N	MR SYSTEM	1	LX SGD 1.0T HiSpeed W/PHASED ARRAY (SEE PAGE 1-162)
10	2210340	1	MEDIA	1	LX SR77/120 OPTION S/W
13	46-271363G7	2	CABLE ASM	1	(042T) MR3CABI/FJ7 TO PD1-A2
14	2141978-5	1	WKSP I/F MOD	1	LIGHTNING WORKSPACE INTERFACE MODULE (SEE SEC. 13)
16	2138599-2	1	LCD MONITOR	1	LCD DISPLAY (800 X 600) WITH CABLES (SEE SECTION 13)
17	2154392	2	COLLECTOR	1	OPERATOR WORKSTATION CABLES/MRLX (SEE SECTION 13)
20	46-307830G1	N	POWER MODULE	1	POWER DISTRIBUTION BOX (SEE SECTION 13)
21	2160157	N	CABLE COVER	1	LIGHTNING CABLE COVER KIT (SEE SECTION 13)
23	2169940-28	1	COMPUTER	1	SGI OCTANE MOUSE
60	46-301708G14	N	8.0LX INSITE	1	8.0 LX INSITE KIT WITHOUT MODEM (SEE PAGE 1-179)

CATALOG		M1801PR	FRU N	LX SGD 1.0T SX FIXED SITE with MULTI-COIL	
Item	Part Number	FRU	Name	Quantity	Description (Remarks)
1	46-282429G72	N	ASSEMBLY	1	LX 1.0T SGD FIXED SITE WITH OR W/O MC (SEE PAGE 1-186)
2	46-301383G13	N	PEN PANEL	1	UFI PENETRATION PANEL, W/ MULTI-COIL (SEE SECTION 4)
3	2118422-9	N	MAG ENCLOSRE	1	UFI 1.0T FXD MAG ENCL WITH MULTICOIL (SEE SECTION 2)
4	2133388	N	PHANTOM KIT	1	SPT PHANTOM CART KIT (SEE PAGE 1-102)

CATALOG		M1810PR	FRU N	LX SGD 1.0T SX MOBILE SITE w/o MULTI-COIL	
Item	Part Number	FRU	Name	Quantity	Description (Remarks)
1	46-282429G74	N	ASSEMBLY	1	LX SGD 1.0T MOBILE SITE WITH OR W/O MC (SEE PAGE 1-187)
2	46-301383G12	N	PP1 ASSEMBLY	1	UFI PENETRATION PANEL, NO MULTICOIL (SEE SECTION 4)
3	2118422-6	N	MAG ENCLOSRE	1	5.5 1.0T MOBILE MAG ENCL W/O M/C (SEE SECTION 2)
4	2133388-2	N	ASSEMBLY	1	SPT PHANTOM CART KIT MINUS CART (SEE PAGE 1-102)

CATALOG		M1811PR	FRU N	LX SGD 1.0T SX MOBILE SITE with MULTI-COIL	
Item	Part Number	FRU	Name	Quantity	Description (Remarks)
1	46-282429G74	N	ASSEMBLY	1	LX SGD 1.0T MOBILE SITE WITH OR W/O MC (SEE PAGE 1-187)
2	46-301383G13	N	PEN PANEL	1	UFI PENETRATION PANEL, W/ MULTI-COIL (SEE SECTION 4)
3	2118422-8	N	MAG ENCLOSRE	1	5.5 1.0T MOB MAG ENCL W/MULTICOIL (SEE SECTION 2)
4	2133388-2	N	ASSEMBLY	1	SPT PHANTOM CART KIT MINUS CART (SEE PAGE 1-102)

CATALOG		M1820PR	FRU N	LX SGD 1.0T SX T/R SITE w/o MULTI-COIL	
Item	Part Number	FRU	Name	Quantity	Description (Remarks)
1	46-282429G73	N	ASSEMBLY	1	LX SGD 1.0T T/R SITE WITH OR W/O MC (SEE PAGE 1-187)
2	46-301383G12	N	PP1 ASSEMBLY	1	UFI PENETRATION PANEL, NO MULTICOIL (SEE SECTION 4)
3	2118422-6	N	MAG ENCLOSRE	1	5.5 1.0T MOBILE MAG ENCL W/O M/C (SEE SECTION 2)
4	2133388	N	PHANTOM KIT	1	SPT PHANTOM CART KIT (SEE PAGE 1-102)

CATALOG		M1821PR	FRU N	LX SGD 1.0T SX T/R SITE with MULTI-COIL	
Item	Part Number	FRU	Name	Quantity	Description (Remarks)
1	46-282429G73	N	ASSEMBLY	1	LX SGD 1.0T T/R SITE WITH OR W/O MC (SEE PAGE 1-187)
2	46-301383G13	N	PEN PANEL	1	UFI PENETRATION PANEL, W/ MULTI-COIL (SEE SECTION 4)
3	2118422-8	N	MAG ENCLOSRE	1	5.5 1.0T MOB MAG ENCL W/MULTICOIL (SEE SECTION 2)
4	2133388	N	PHANTOM KIT	1	SPT PHANTOM CART KIT (SEE PAGE 1-102)

1-4 LX SGD/OCTANE SYSTEM CATALOGS

CATALOG M1000WA FRU N LX SGD/OCTANE 1.5T HORIZON BASE w/o MULTI-COIL

Item	Part Number	FRU	Name	Quantity	Description (Remarks)
1	46-244813G27	N	ASSEMBLY	1	LX 1.5T SIGNA HORIZON SHIP COLLECTOR (SEE PAGE 1-94)
2	46-265300G1	N	TABLE ASM	1	LIGHTWEIGHT PATIENT TRANSPORT, PT1 (SEE SECTION 3)
3	46-271000G105	N	MR SYSTEM	1	LX2 SGD 1.5T HORIZON W/O P/A (SEE PAGE 1-162)
10	2210341	1	MEDIA	1	LX SR20 OPTION S/W
14	2141978-5	1	WKSP I/F MOD	1	LIGHTNING WORKSPACE INTERFACE MODULE (SEE SEC. 13)
16	2138599-2	1	LCD MONITOR	1	LCD DISPLAY (800 X 600) WITH CABLES (SEE SECTION 13)
17	2154392-2	2	COLLECTOR	1	OPERATOR WORKSTATION CABLES/MRLX2 (SEE SECT. 13)
20	46-307830G1	N	POWER MODULE	1	POWER DISTRIBUTION BOX (SEE SECTION 13)
21	2160157	N	CABLE COVER	1	LIGHTNING CABLE COVER KIT (SEE SECTION 13)
22	2204796	N	ASSEMBLY	1	CENTRAL DATA SERIAL EXPANSION & MTG (SEE SECTION 13)
60	46-301708G14	N	8.0LX INSITE	1	8.0 LX INSITE KIT WITHOUT MODEM (SEE PAGE 1-179)

CATALOG M1000WD FRU N LX SGD/OCTANE 1.5T HORIZON BASE with MULTI-COIL

Item	Part Number	FRU	Name	Quantity	Description (Remarks)
1	46-244813G27	N	ASSEMBLY	1	LX 1.5T SIGNA HORIZON SHIP COLLECTOR (SEE PAGE 1-94)
2	46-265300G1	N	TABLE ASM	1	LIGHTWEIGHT PATIENT TRANSPORT, PT1 (SEE SECTION 3)
3	46-271000G106	N	MR SYSTEM	1	LX2 SGD 1.5T HORIZON W/PHASED ARRAY (SEE PAGE 1-162)
10	2210341	1	MEDIA	1	LX SR20 OPTION S/W
14	2141978-5	1	WKSP I/F MOD	1	LIGHTNING WORKSPACE INTERFACE MODULE (SEE SEC. 13)
16	2138599-2	1	LCD MONITOR	1	LCD DISPLAY (800 X 600) WITH CABLES (SEE SECTION 13)
17	2154392-2	2	COLLECTOR	1	OPERATOR WORKSTATION CABLES/MRLX2 (SEE SECT. 13)
20	46-307830G1	N	POWER MODULE	1	POWER DISTRIBUTION BOX (SEE SECTION 13)
21	2160157	N	CABLE COVER	1	LIGHTNING CABLE COVER KIT (SEE SECTION 13)
22	2204796	N	ASSEMBLY	1	CENTRAL DATA SERIAL EXPANSION & MTG (SEE SECTION 13)
60	46-301708G14	N	8.0LX INSITE	1	8.0 LX INSITE KIT WITHOUT MODEM (SEE PAGE 1-179)

CATALOG M1000WF FRU N LX SGD/OCTANE 1.5T HiSpeed with MULTI-COIL

Item	Part Number	FRU	Name	Quantity	Description (Remarks)
1	46-244813G27	N	ASSEMBLY	1	LX 1.5T SIGNA HORIZON SHIP COLLECTOR (SEE PAGE 1-94)
2	46-265300G1	N	TABLE ASM	1	LIGHTWEIGHT PATIENT TRANSPORT, PT1 (SEE SECTION 3)
3	46-271000G107	N	MR SYSTEM	1	LX2 SGD 1.5T HiSpeed W/PHASED ARRAY (SEE PAGE 1-163)
10	2210340	1	MEDIA	1	LX SR77/120 OPTION S/W
13	46-271363G7	2	CABLE ASM	1	(042T) MR3CABI/FJ7 TO PD1-A2
14	2141978-5	1	WKSP I/F MOD	1	LIGHTNING WORKSPACE INTERFACE MODULE (SEE SEC. 13)
16	2138599-2	1	LCD MONITOR	1	LCD DISPLAY (800 X 600) WITH CABLES (SEE SECTION 13)
17	2154392-2	2	COLLECTOR	1	OPERATOR WORKSTATION CABLES/MRLX2 (SEE SEC. 13)
20	46-307830G1	N	POWER MODULE	1	POWER DISTRIBUTION BOX (SEE SECTION 13)
21	2160157	N	CABLE COVER	1	LIGHTNING CABLE COVER KIT (SEE SECTION 13)
22	2204796	N	ASSEMBLY	1	CENTRAL DATA SERIAL EXPANSION & MTG (SEE SECTION 13)
60	46-301708G14	N	8.0LX INSITE	1	8.0 LX INSITE KIT WITHOUT MODEM (SEE PAGE 1-179)

CATALOG M1000WG FRU N LX SGD/OCTANE 1.5T EchoSpeed with MULTI-COIL

Item	Part Number	FRU	Name	Quantity	Description (Remarks)
1	46-244813G27	N	ASSEMBLY	1	LX 1.5T SIGNA HORIZON SHIP COLLECTOR (SEE PAGE 1-94)
2	46-265300G1	N	TABLE ASM	1	LIGHTWEIGHT PATIENT TRANSPORT, PT1 (SEE SECTION 3)
3	46-271000G108	N	MR SYSTEM	1	LX2 SGD 1.5T EchoSpeed W/PHSD ARRY (SEE PAGE 1-163)
10	2210340	1	MEDIA	1	LX SR77/120 OPTION S/W
13	46-271363G7	2	CABLE ASM	1	(042T) MR3CABI/FJ7 TO PD1-A2
14	2141978-5	1	WKSP I/F MOD	1	LIGHTNING WORKSPACE INTERFACE MODULE (SEE SEC. 13)
16	2138599-2	1	LCD MONITOR	1	LCD DISPLAY (800 X 600) WITH CABLES (SEE SECTION 13)
17	2154392-2	2	COLLECTOR	1	OPERATOR WORKSTATION CABLES/MRLX2 (SEE SECT. 13)
20	46-307830G1	N	POWER MODULE	1	POWER DISTRIBUTION BOX (SEE SECTION 13)
21	2160157	N	CABLE COVER	1	LIGHTNING CABLE COVER KIT (SEE SECTION 13)
22	2204796	N	ASSEMBLY	1	CENTRAL DATA SERIAL EXPANSION & MTG (SEE SECTION 13)
60	46-301708G14	N	8.0LX INSITE	1	8.0 LX INSITE KIT WITHOUT MODEM (SEE PAGE 1-179)
70	2210001	N	ASSEMBLY	1	EchoSpeed OPTION KEY COLLECTOR (SEE PAGE 1-42)

CATALOG M1800WA FRU N LX SGD/OCTANE 1.0T HORIZON BASE w/o MULTI-COIL

Item	Part Number	FRU	Name	Quantity	Description (Remarks)
1	46-244813G67	N	ASSEMBLY	1	LX 1.0T SIGNA HORIZON SHIP COLLECTOR (SEE PAGE 1-97)
2	46-265300G1	N	TABLE ASM	1	LIGHTWEIGHT PATIENT TRANSPORT, PT1 (SEE SECTION 3)
3	46-271000G205	N	MR SYSTEM	1	LX2 SGD 1.0T HORIZON W/O PH ARRAY (SEE PAGE 1-165)
10	2210341	1	MEDIA	1	LX SR20 OPTION S/W
14	2141978-5	1	WKSP I/F MOD	1	LIGHTNING WORKSPACE INTERFACE MODULE (SEE SEC. 13)
16	2138599-2	1	LCD MONITOR	1	LCD DISPLAY (800 X 600) WITH CABLES (SEE SECTION 13)
17	2154392-2	2	COLLECTOR	1	OPERATOR WORKSTATION CABLES/MRLX2 (SEE SEC. 13)
20	46-307830G1	N	POWER MODULE	1	POWER DISTRIBUTION BOX (SEE SECTION 13)
21	2160157	N	CABLE COVER	1	LIGHTNING CABLE COVER KIT (SEE SECTION 13)
22	2204796	N	ASSEMBLY	1	CENTRAL DATA SERIAL EXPANSION & MTG (SEE SECTION 13)
60	46-301708G14	N	8.0LX INSITE	1	8.0 LX INSITE KIT WITHOUT MODEM (SEE PAGE 1-179)

CATALOG M1800WD FRU N LX SGD/OCTANE 1.0T HORIZON BASE with MULTI-COIL

Item	Part Number	FRU	Name	Quantity	Description (Remarks)
1	46-244813G67	N	ASSEMBLY	1	LX 1.0T SIGNA HORIZON SHIP COLLECTOR (SEE PAGE 1-97)
2	46-265300G1	N	TABLE ASM	1	LIGHTWEIGHT PATIENT TRANSPORT, PT1 (SEE SECTION 3)
3	46-271000G206	N	MR SYSTEM	1	LX2 SGD 1.0T HORIZON W/PHASED ARRAY (SEE PAGE 1-165)
10	2210341	1	MEDIA	1	LX SR20 OPTION S/W
14	2141978-5	1	WKSP I/F MOD	1	LIGHTNING WORKSPACE INTERFACE MODULE (SEE SEC. 13)
16	2138599-2	1	LCD MONITOR	1	LCD DISPLAY (800 X 600) WITH CABLES (SEE SECTION 13)
17	2154392-2	2	COLLECTOR	1	OPERATOR WORKSTATION CABLES/MRLX2 (SEE SEC. 13)
20	46-307830G1	N	POWER MODULE	1	POWER DISTRIBUTION BOX (SEE SECTION 13)
21	2160157	N	CABLE COVER	1	LIGHTNING CABLE COVER KIT (SEE SECTION 13)
22	2204796	N	ASSEMBLY	1	CENTRAL DATA SERIAL EXPANSION & MTG (SEE SECTION 13)
60	46-301708G14	N	8.0LX INSITE	1	8.0 LX INSITE KIT WITHOUT MODEM (SEE PAGE 1-179)

CATALOG		M1800WE FRU N		LX SGD/OCTANE 1.0T HiSpeed w/o MULTI-COIL	
Item	Part Number	FRU	Name	Quantity	Description (Remarks)
1	46-244813G67	N	ASSEMBLY	1	LX 1.0T SIGNA HORIZON SHIP COLLECTOR (SEE PAGE 1-97)
2	46-265300G1	N	TABLE ASM	1	LIGHTWEIGHT PATIENT TRANSPORT, PT1 (SEE SECTION 3)
3	46-271000G207	N	MR SYSTEM	1	LX2 SGD 1.0T HiSpeed W/O PH ARRAY (SEE PAGE 1-165)
10	2210340	1	MEDIA	1	LX SR77/120 OPTION S/W
13	46-271363G6	2	CABLE ASM	1	(042T) MR3CABI/FJ7 TO PD1-A2
14	2141978-5	1	WKSP I/F MOD	1	LIGHTNING WORKSPACE INTERFACE MODULE (SEE SEC. 13)
16	2138599-2	1	LCD MONITOR	1	LCD DISPLAY (800 X 600) WITH CABLES (SEE SECTION 13)
17	2154392-2	2	COLLECTOR	1	OPERATOR WORKSTATION CABLES/MRLX2 (SEE SEC. 13)
20	46-307830G1	N	POWER MODULE	1	POWER DISTRIBUTION BOX (SEE SECTION 13)
21	2160157	N	CABLE COVER	1	LIGHTNING CABLE COVER KIT (SEE SECTION 13)
22	2204796	N	ASSEMBLY	1	CENTRAL DATA SERIAL EXPANSION & MTG (SEE SECTION 13)
60	46-301708G14	N	8.0LX INSITE	1	8.0 LX INSITE KIT WITHOUT MODEM (SEE PAGE 1-179)

CATALOG		M1800WF FRU N		LX SGD/OCTANE 1.0T HiSpeed with MULTI-COIL	
Item	Part Number	FRU	Name	Quantity	Description (Remarks)
1	46-244813G67	N	ASSEMBLY	1	LX 1.0T SIGNA HORIZON SHIP COLLECTOR (SEE PAGE 1-97)
2	46-265300G1	N	TABLE ASM	1	LIGHTWEIGHT PATIENT TRANSPORT, PT1 (SEE SECTION 3)
3	46-271000G208	N	MR SYSTEM	1	LX2 SGD 1.0T HiSpeed W/PHASED ARRAY (SEE PAGE 1-165)
10	2210340	1	MEDIA	1	LX SR77/120 OPTION S/W
13	46-271363G7	2	CABLE ASM	1	(042T) MR3CABI/FJ7 TO PD1-A2
14	2141978-5	1	WKSP I/F MOD	1	LIGHTNING WORKSPACE INTERFACE MODULE (SEE SEC. 13)
16	2138599-2	1	LCD MONITOR	1	LCD DISPLAY (800 X 600) WITH CABLES (SEE SECTION 13)
17	2154392-2	2	COLLECTOR	1	OPERATOR WORKSTATION CABLES/MRLX2 (SEE SEC. 13)
20	46-307830G1	N	POWER MODULE	1	POWER DISTRIBUTION BOX (SEE SECTION 13)
21	2160157	N	CABLE COVER	1	LIGHTNING CABLE COVER KIT (SEE SECTION 13)
22	2204796	N	ASSEMBLY	1	CENTRAL DATA SERIAL EXPANSION & MTG (SEE SECTION 13)
60	46-301708G14	N	8.0LX INSITE	1	8.0 LX INSITE KIT WITHOUT MODEM (SEE PAGE 1-179)

1-5 Cx LX SGD SYSTEM CATALOGS

CATALOG		M1040PN FRU N		Cx LX 1.5T FIXED SITE w/o MULTI-COIL	
Item	Part Number	FRU	Name	Quantity	Description (Remarks)
1	46-282429G30	N	ASSEMBLY	1	LX 1.5T FIXED WITH OR W/O MULTICOIL (SEE PAGE 1-181)
2	46-301383G12	N	PP1 ASSEMBLY	1	UFI PENETRATION PANEL, NO MULTICOIL (SEE SECTION 4)
3	2142000-5	N	ASSEMBLY	1	1.5T FIXED Cx MAGNET ENCLOSUR (SEE SECTION 2)
4	2133388-6	N	PHANTOM KIT	1	Cx SPT PHANTOM CART KIT (SEE PAGE 1-102)
104	2160623-3	N	CD-ROM	1	SIGNA RELEASE LX SERVICE METHODS

CATALOG		M1040PR FRU N		Cx LX 1.5T SGD FIXED SITE w/o MULTI-COIL	
Item	Part Number	FRU	Name	Quantity	Description (Remarks)
1	46-282429G36	N	INSTALLATION	1	LX SGD 1.5T FIXED WITH OR WITHOUT MC (SEE PAGE 1-182)
2	46-301383G12	N	PP1 ASSEMBLY	1	UFI PENETRATION PANEL, NO MULTICOIL (SEE SECTION 4)
3	2142000-5	N	ASSEMBLY	1	1.5T FIXED Cx MAGNET ENCLOSUR (SEE SECTION 2)
4	2133388-6	N	PHANTOM KIT	1	Cx SPT PHANTOM CART KIT (SEE PAGE 1-102)
104	2160623-3	N	CD-ROM	1	SIGNA RELEASE LX SERVICE METHODS

CATALOG		M1041PN FRU N		Cx LX 1.5T FIXED SITE with MULTI-COIL	
Item	Part Number	FRU	Name	Quantity	Description (Remarks)
1	46-282429G30	N	ASSEMBLY	1	LX 1.5T FIXED WITH OR W/O MULTICOIL (SEE PAGE 1-181)
2	46-301383G13	N	PEN PANEL	1	UFI PENETRATION PANEL, W/ MULTI-COIL (SEE SECTION 4)
3	2142000-6	N	ASSEMBLY	1	1.5T FIXED Cx MAGNET ENCLOSUR (SEE SECTION 2)
4	2133388-6	N	PHANTOM KIT	1	Cx SPT PHANTOM CART KIT (SEE PAGE 1-102)
104	2160623-3	N	CD-ROM	1	SIGNA RELEASE LX SERVICE METHODS

CATALOG		M1041PR FRU N		Cx LX 1.5T SGD FIXED SITE with MULTI-COIL	
Item	Part Number	FRU	Name	Quantity	Description (Remarks)
1	46-282429G36	N	INSTALLATION	1	LX SGD 1.5T FIXED WITH OR WITHOUT MC (SEE PAGE 1-182)
2	46-301383G13	N	PEN PANEL	1	UFI PENETRATION PANEL, W/ MULTI-COIL (SEE SECTION 4)
3	2142000-6	N	ASSEMBLY	1	1.5T FIXED Cx MAGNET ENCLOSUR (SEE SECTION 2)
4	2133388-6	N	PHANTOM KIT	1	Cx SPT PHANTOM CART KIT (SEE PAGE 1-102)
104	2160623-3	N	CD-ROM	1	SIGNA RELEASE LX SERVICE METHODS

CATALOG		M1050PN FRU N		Cx LX 1.5T MOBILE SITE w/o MULTI-COIL	
Item	Part Number	FRU	Name	Quantity	Description (Remarks)
1	46-282429G32	N	ASSEMBLY	1	1.5T Cx LX MOBILE WITH OR W/O MC (SEE PG 1-182)
2	46-301383G12	N	PP1 ASSEMBLY	1	UFI PENETRATION PANEL, NO MULTICOIL (SEE SECTION 4)
3	2142000-7	N	ASSEMBLY	1	1.5T MOBILE Cx MAG ENCLOSURE (SEE SECTION 2)
4	2133388-7	N	PHANTOM KIT	1	CX SPT PHANTOM CART KIT MINUS CART (SEE PAGE 1-103)
104	2160623-3	N	CD-ROM	1	SIGNA RELEASE LX SERVICE METHODS

CATALOG		M1050PR FRU N		Cx LX 1.5T SGD MOBILE SITE w/o MULTI-COIL	
Item	Part Number	FRU	Name	Quantity	Description (Remarks)
1	46-282429G38	N	INSTALLATION	1	LX SGD 1.5T Cx MOBILE SITE (SEE PAGE 1-183)
2	46-301383G12	N	PP1 ASSEMBLY	1	UFI PENETRATION PANEL, NO MULTICOIL (SEE SECTION 4)
3	2142000-7	N	ASSEMBLY	1	1.5T MOBILE Cx MAG ENCLOSURE (SEE SECTION 2)
4	2133388-7	N	PHANTOM KIT	1	CX SPT PHANTOM CART KIT MINUS CART (SEE PAGE 1-103)
5	2214269	2	KIT OF PARTS	1	MOBILE MR OW MOUNTING KIT (SEE PAGE 1-173)

CATALOG M1051PN FRU N Cx LX 1.5T MOBILE SITE with MULTI-COIL

Item	Part Number	FRU	Name	Quantity	Description (Remarks)
1	46-282429G32	N	ASSEMBLY	1	1.5T Cx LX MOBILE WITH OR W/O MC (SEE PG 1-182)
2	46-301383G13	N	PEN PANEL	1	UFI PENETRATION PANEL, W/ MULTI-COIL (SEE SECTION 4)
3	2142000-8	N	ASSEMBLY	1	1.5T MOBILE Cx MAG ENCLOSURE (SEE SECTION 2)
4	2133388-7	N	PHANTOM KIT	1	CX SPT PHANTOM CART KIT MINUS CART (SEE PAGE 1-103)
104	2160623-3	N	CD-ROM	1	SIGNA RELEASE LX SERVICE METHODS

CATALOG M1051PR FRU N Cx LX 1.5T SGD MOBILE SITE with MULTI-COIL

Item	Part Number	FRU	Name	Quantity	Description (Remarks)
1	46-282429G38	N	INSTALLATION	1	LX SGD 1.5T Cx MOBILE SITE (SEE PAGE 1-183)
2	46-301383G13	N	PEN PANEL	1	UFI PENETRATION PANEL, W/ MULTI-COIL (SEE SECTION 4)
3	2142000-8	N	ASSEMBLY	1	1.5T MOBILE Cx MAG ENCLOSURE (SEE SECTION 2)
4	2133388-7	N	PHANTOM KIT	1	CX SPT PHANTOM CART KIT MINUS CART (SEE PAGE 1-103)
104	2160623-3	N	CD-ROM	1	SIGNA RELEASE LX SERVICE METHODS

CATALOG M1060PN FRU N Cx LX 1.5T T/R SITE w/o MULTI-COIL

Item	Part Number	FRU	Name	Quantity	Description (Remarks)
1	46-282429G31	N	ASSEMBLY	1	LX 1.5T T/R SITE WITH OR W/O MULTICL (SEE PAGE 1-181)
2	46-301383G12	N	PP1 ASSEMBLY	1	UFI PENETRATION PANEL, NO MULTICOIL (SEE SECTION 4)
3	2142000-7	N	ASSEMBLY	1	1.5T MOBILE Cx MAG ENCLOSURE (SEE SECTION 2)
4	2133388-6	N	PHANTOM KIT	1	Cx SPT PHANTOM CART KIT (SEE PAGE 1-102)
104	2160623-3	N	DIRECTION	1	SIGNA LX SERVICE METHODS CD-ROM

CATALOG M1060PR FRU N Cx LX 1.5T SGD T/R SITE w/o MULTI-COIL

Item	Part Number	FRU	Name	Quantity	Description (Remarks)
1	46-282429G37	N	INSTALLATION	1	LX SGD 1.5T T/R WITH OR WITHOUT MC (SEE PAGE 1-183)
2	46-301383G12	N	PP1 ASSEMBLY	1	UFI PENETRATION PANEL, NO MULTICOIL (SEE SECTION 4)
3	2142000-7	N	ASSEMBLY	1	1.5T MOBILE Cx MAG ENCLOSURE (SEE SECTION 2)
4	2133388-6	N	PHANTOM KIT	1	Cx SPT PHANTOM CART KIT (SEE PAGE 1-102)
5	2214269	2	KIT OF PARTS	1	MOBILE MR OW MOUNTING KIT (SEE PAGE 1-173)
104	2160623-3	N	DIRECTION	1	SIGNA LX SERVICE METHODS CD-ROM

CATALOG M1061PN FRU N C.x LX 1.5T T/R SITE with MULTI-COIL

Item	Part Number	FRU	Name	Quantity	Description (Remarks)
1	46-282429G31	N	ASSEMBLY	1	LX 1.5T T/R SITE WITH OR W/O MULTICL (SEE PAGE 1-181)
2	46-301383G13	N	PEN PANEL	1	UFI PENETRATION PANEL, W/ MULTI-COIL (SEE SECTION 4)
3	2142000-8	N	ASSEMBLY	1	1.5T MOBILE Cx MAG ENCLOSURE (SEE SECTION 2)
4	2133388-6	N	PHANTOM KIT	1	Cx SPT PHANTOM CART KIT (SEE PAGE 1-102)
104	2160623-3	N	DIRECTION	1	SIGNA LX SERVICE METHODS CD-ROM

CATALOG M1061PR FRU N Cx LX 1.5T SGD T/R SITE with MULTI-COIL

Item	Part Number	FRU	Name	Quantity	Description (Remarks)
1	46-282429G37	N	INSTALLATION	1	LX SGD 1.5T T/R WITH OR WITHOUT MC (SEE PAGE 1-183)
2	46-301383G13	N	PEN PANEL	1	UFI PENETRATION PANEL, W/ MULTI-COIL (SEE SECTION 4)
3	2142000-8	N	ASSEMBLY	1	1.5T MOBILE Cx MAG ENCLOSURE (SEE SECTION 2)
4	2133388-6	N	PHANTOM KIT	1	Cx SPT PHANTOM CART KIT (SEE PAGE 1-102)
104	2160623-3	N	DIRECTION	1	SIGNA LX SERVICE METHODS CD-ROM

CATALOG M1071PR FRU N CVMR Cx LX 1.5T SGD FXD SITE with MULTI-COIL

Item	Part Number	FRU	Name	Quantity	Description (Remarks)
1	46-282429G36	N	INSTALLATION	1	LX SGD 1.5T FIXED WITH OR WITHOUT (SEE PAGE 1-182)
2	46-301383G13	N	PEN PANEL	1	UFI PENETRATION PANEL, W/ MULTI-COIL (SEE SECTION 4)
3	2142000-9	N	ASSEMBLY	1	CX CRM FXD MAG ENCL WITH PA (SEE SECTION 2)
4	2133388-6	N	PHANTOM KIT	1	Cx SPT PHANTOM CART KIT (SEE PAGE 1-102)
104	2160623-3	N	DIRECTION	1	SIGNA LX SERVICE METHODS CD-ROM

CATALOG M1060JJ FRU N Cx BRM INSTALLATION KIT

Item	Part Number	FRU	Name	Quantity	Description (Remarks)
3	2179396	N	Cx BRM	1	Cx MAGNET INSTALL PARTS LIST (SEE PAGE 1-26)

Cx MAGNET BRM INSTALL PARTS 2179396 FRU N (PART OF M1060JJ PAGE 1-26)

Item	Part Number	FRU	Name	Quantity	Description (Remarks)
2	2139560	N	BULKHEAD ASM	1	BULKHEAD ASSEMBLY (SEE PAGE 1-155)
3	2179397	N	BRM ISOLATIO	2	OPEN FOAM CAULKING STRIP - .25" THK
4	2165210	2	ASSEMBLY	1	GRAD TERMINAL BLOCK KIT CX BRM (SEE PAGE 1-27)
5	2159740	N	ASSEMBLY	1	BODY COIL MOUNTING KIT CX BRM (SEE PAGE 1-28)
6	2179397-2	N	BRM ISOLATIO	2	OPEN FOAM CAULKING STRIP - .375" THK
7	2200734	2	SUPPORT KIT	1	PLATFORM SUPPORT KIT (SEE PAGE 1-26)
8	2195887	2	SUPPORT ASM	1	SERVICE PLATFORM FOR CX

CATALOG M1060JK FRU N Cx CRM INSTALLATION KIT

Item	Part Number	FRU	Name	Quantity	Description (Remarks)
1	2191300	N	COLLECTOR	1	Cx MAGNET CRM INSTALL PARTS (SEE PAGE 1-26)

Cx MAGNET CRM INSTALL PARTS 2191300 FRU N (PART 1 OF M1060JK PAGE 1-26)

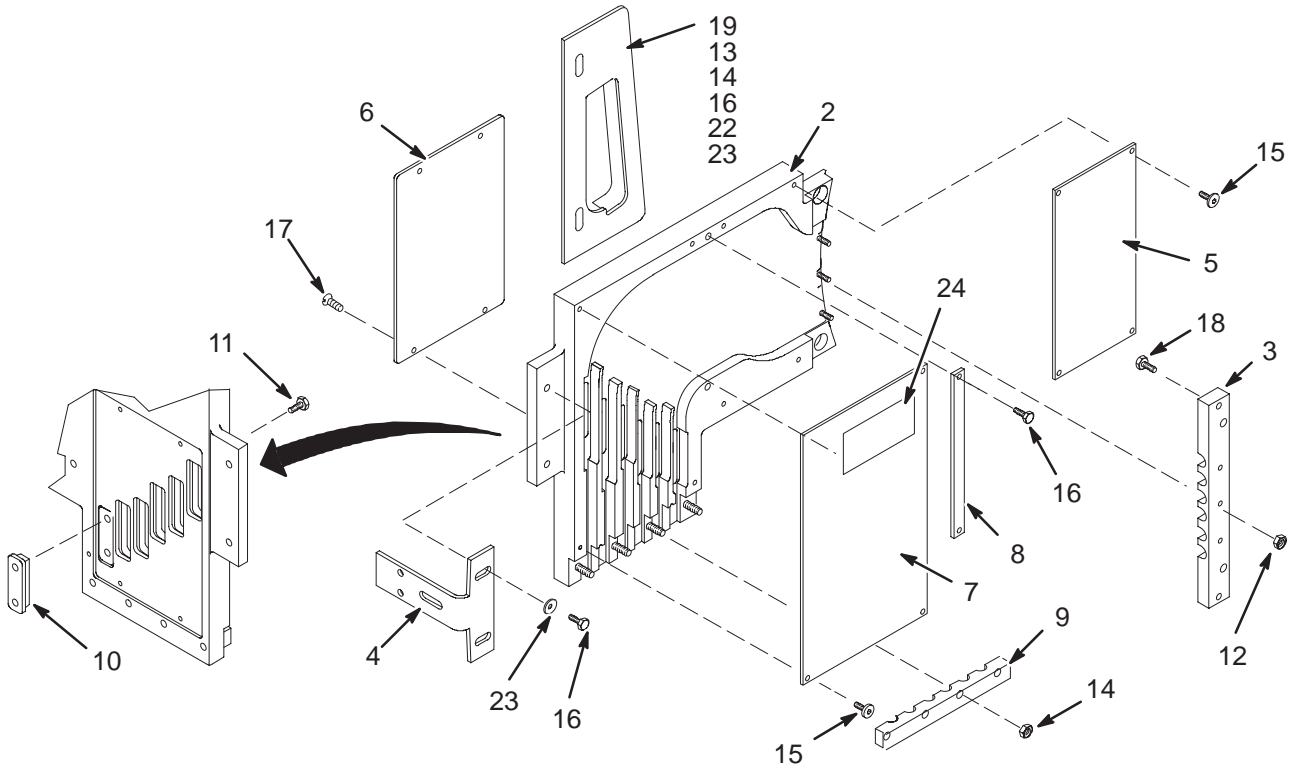
Item	Part Number	FRU	Name	Quantity	Description (Remarks)
2	2139560	N	BULKHEAD ASM	1	BULKHEAD ASSEMBLY (SEE PAGE 1-155)
3	2179397	N	BRM ISOLATIO	2	OPEN FOAM CAULKING STRIP - .25" THK
4	2165210	N	ASSEMBLY	1	GRAD TERMINAL BLOCK KIT CX BRM (SEE PAGE 1-27)
5	2200563	N	MOUNTING KIT	1	BODY COIL MOUNTING KIT CX CRM (SEE PAGE 1-29)
6	2179397-2	N	BRM ISOLATIO	2	OPEN FOAM CAULKING STRIP - .375" THK
7	2185175-2	N	PART	2	FOAM, CLOSED CELL, CRM
8	2200734	2	SUPPORT KIT	1	PLATFORM SUPPORT KIT (SEE PAGE 1-26)
9	2195887	2	SUPPORT ASM	1	SERVICE PLATFORM FOR CX

PLATFORM SUPPORT KIT 2200734 FRU N (PART OF 2179396 PAGE 1-26)
(PART OF 2191300 PAGE 1-26)

Item	Part Number	FRU	Name	Quantity	Description (Remarks)
2	2172744-5	2	ASSEMBLY	1	SLIDE BLOCK MTG ASM
3	2172744-6	2	ASSEMBLY	1	SLIDE BLOCK MTG ASM
4	2109866-11	2	SCREW	6	SCREW HEXAGON HEAD 6 MM 16 MM
5	2109879-2	2	WASHER	2	WASHER PLAIN - LARGE 6.4 MM 12 MM
6	46-170686P2	2	ADHESIVE	1	LOCTITE 242, 10CC

Cx BRM CABLE TERMINAL BLOCK

2165210



Cx BRM CABLE TERMINAL BLOCK

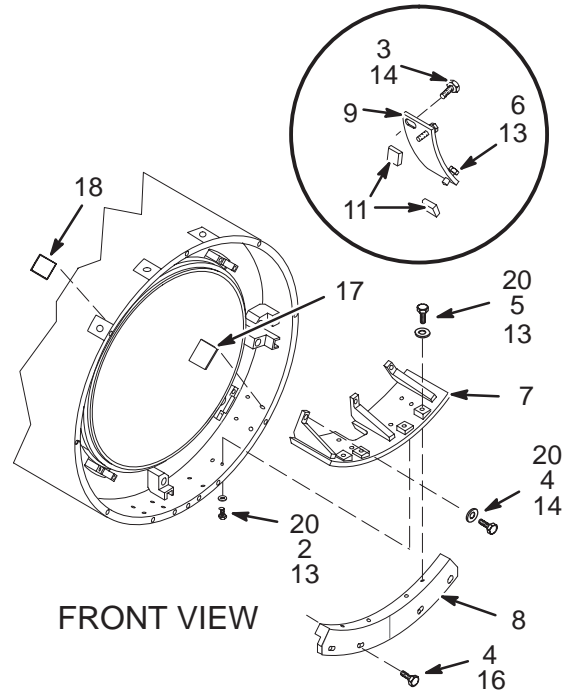
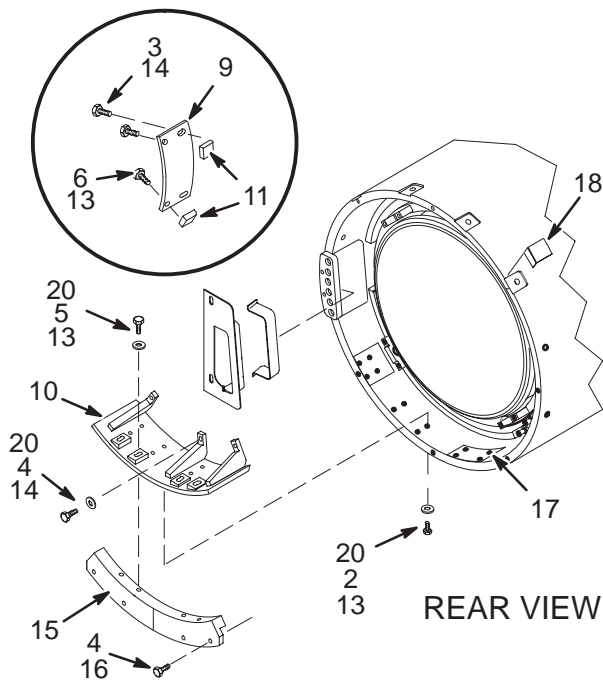
2165210 FRU N

(PART OF 2179396 PAGE 1-26)
(PART OF 2191300 PAGE 1-26)

Item	Part Number	FRU	Name	Quantity	Description (Remarks)
2	2165013	2	PART	1	TERMINAL BLOCK Cx
3	2176312	2	PART	1	TERM BLK WIRE CLAMP Cx
4	2165016	2	PART	1	TERM BLOCK BRKT FOR MAGNET
5	2165190	2	PART	1	FRT COVER TERM BLK Cx
6	2165014	2	PART	1	COVER TERM. BKL Cx
7	2165189	2	PART	1	FRT COVER TERM BLK Cx
8	2165191	2	PART	1	CABLE RETAINER TERM BLK
9	2165015	2	PART	1	CABLE RESTR BRM Cx
10	2165208	2	PART	6	CONN BLOCK TERM BLK Cx
11	2167381	2	PART	12	BRASS HEX HD BOLT M10 X 16
12	2109875-3	2	NUT	3	NUT HEXAGON 6 MM
13	2116325-10	2	STUD,MAGNET	2	STUD, M10 X 75MM, STAINLESS STEEL
14	2109875-4	2	NUT	8	NUT HEXAGON 10 MM
15	2109872-6	2	SCREW	8	SCREW BUTTON HEAD 6 MM 12 MM
16	2167384	2	PART	6	STN STL HEX HD BOLT M10 X 16
17	2109874-19	2	SCREW	4	SCREW COUNTERSUNK HEA 6 MM 12 MM
18	2109866-22	2	SCREW	2	SCREW HEXAGON HEAD 10 MM 35 MM
19	2177301	2	PART	1	GRADIENT AIR COVER REAR Cx
20	2180820	2	PART	1	5X7 BAG W/STRING Cx
21	2132180-15	2	EPOXY	AR	CORONA-RESISTANT EPOXY, GREEN
21A	2132180-15	2	EPOXY	ALT	CORONA-RESISTANT EPOXY, GREEN
22	2185175	2	PART	1	FOAM, CLOSED CELL, BRM Cx
23	46-214941P6	2	WASHER,NYLON	6	FLAT WASHER, NYLON, M10
24	2191404	2	LABEL	1	LABEL DANGER

Cx BRM BODY COIL MOUNTING KIT

2159740



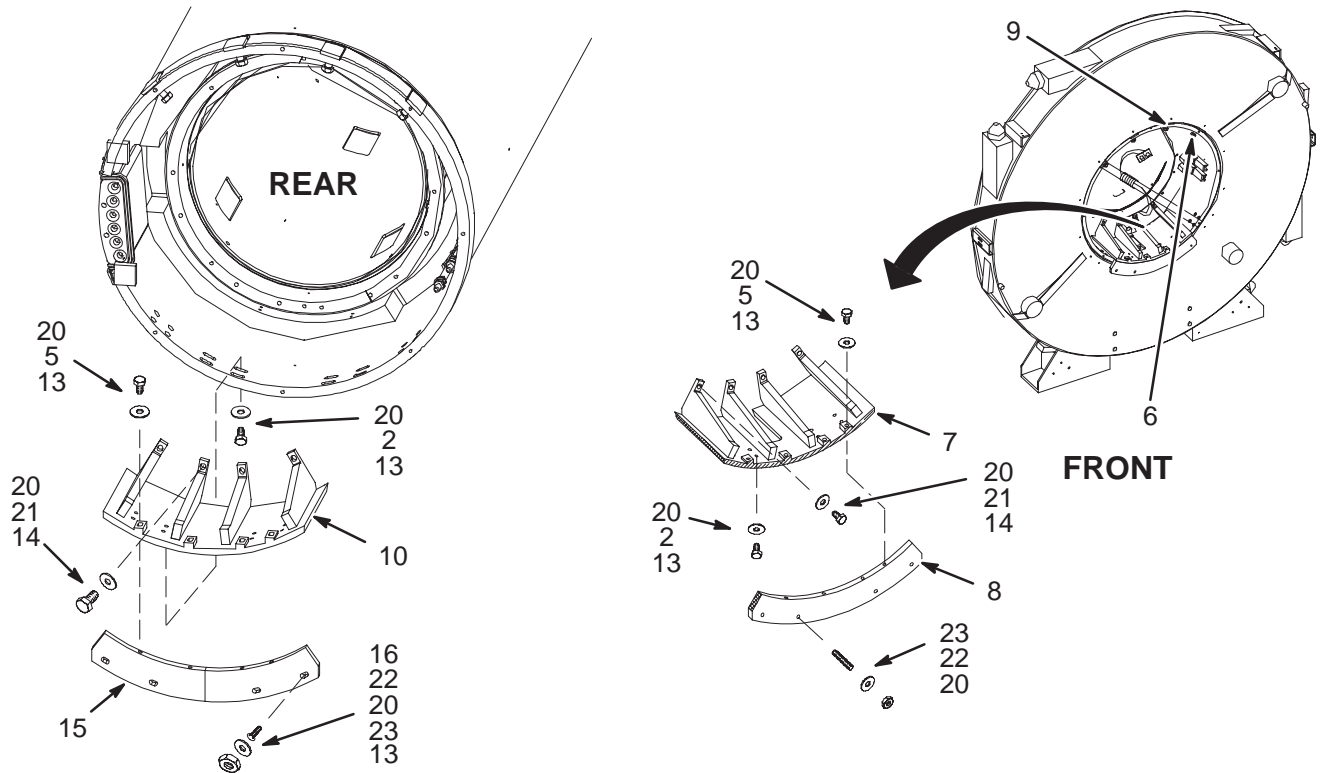
Cx BRM BODY COIL MOUNTING KIT 2159740 FRU N

(PART OF 2179396 PAGE 1-26)

Item	Part Number	FRU	Name	Quantity	Description (Remarks)
2	2109872-16	2	SCREW	16	M10X40 SST HEX SOCKET BUTTON HD SCRW
3	2109866-28	2	SCREW	8	SCREW HEXAGON HEAD 16 MM 30 MM
4	2109866-20	2	SCREW	8	SCREW HEXAGON HEAD 10 MM 25 MM
5	2109866-23	2	SCREW	8	SCREW HEXAGON HEAD 10 MM 40 MM
6	2108933	2	PART	8	CAP SCREW, SPECIAL, HEX HEAD METRIC
7	2147824	2	PART	1	SUPPORT ASM WELDMENT
8	2147826	2	PART	1	FRONT SUPPORT MTG.
9	2148162	2	PART	4	BEARING PLATE TOP BRM
10	2151740	2	PART	1	REAR SUPPORT FOR Cx
11	2148163	2	PART	8	BEARING PLATE TOP MTG PAD
13	46-170686P3	2	ADHESIVE	AR	LOCTITE 242, 50CC
14	46-170684P2	2	ADHESIVE	AR	LOCTITE 271, 10CC BOTTLE
15	2174668	2	PART	1	REAR SUPPORT MTG
16	46-294151P8	2	ADHES SPEC	AR	BOSTIK "NEVER-SEEZE" LUBRICATING
17	2181231	2	PART	4	FILLER PAD Cx
18	2181231-2	2	PART	8	FILLER PAD Cx—DIECUT INSERTS
19	2157414	2	TAPE	AR	3M TARTAN FILAMENT TAPE 48MM X 55M
20	2184009	2	WASHER	30	WASHER PLAIN - NORMAL 10.5 MM 18 MM
21	2109866-21	2	SCREW	6	SCREW HEXAGON HEAD 10 MM 30 MM

Cx CRM BODY COIL MOUNTING KIT

22200563



Cx CRM BODY COIL MOUNTING KIT

22200563 FRU N

(PART 5 OF 2191300 PAGE 1-26)

Item	Part Number	FRU	Name	Quantity	Description (Remarks)
2	2109872-16	2	SCREW	16	SCREW BUTTON HEAD
5	2109866-23	2	SCREW	8	SCREW HEXAGON HEAD 10 MM 40 MM
6	2131956-2	2	CAP SCREW	8	SCREW M16 HEX HD SST 18-8 40MM LG
7	2189813	2	SUPPORT	1	CRM FRONT SUPPORT
8	2189817	2	SUPPORT MTG	1	CRM FRONT SUPPORT MOUNTING
9	2131953-3	2	MTG PAD	8	MTG PAD
10	2189814	2	SUPPORT	1	CRM REAR SUPPORT
13	46-170686P2	2	ADHESIVE	AR	LOCTITE 242, 10CC
14	46-170684P2	2	ADHESIVE	AR	LOCTITE 271, 10CC BOTTLE
15	2189818	2	SUPPORT MTG	1	CRM REAR SUPPORT MOUNTING
16	46-294151P8	2	ADHES SPEC	AR	BOSTIK "NEVER-SEEZE" LUBRICATING
19	2157414	2	TAPE	AR	3M TARTAN FILAMENT TAPE 48MM X 55M
20	2109878-4	2	WASHER	40	WASHER PLAIN - NORMAL 10.5 MM 20 MM
21	2109866-21	2	SCREW	8	SCREW HEXAGON HEAD 10 MM 30 MM
22	2116325-8	2	STUD,MAGNET	8	STUD, M10 X 45 MM, STAINLESS STEEL
23	2109875-4	2	NUT	8	NUT HEXAGON 10 MM

CATALOG M1840PN FRU N Cx LX 1.0T FIXED SITE w/o MULTI-COIL

Item	Part Number	FRU	Name	Quantity	Description (Remarks)
1	46-282429G69	N	ASSEMBLY	1	LX 1.0T FIXED SITE WITH OR W/O M/C (SEE PAGE 1-185)
2	46-301383G12	N	PP1 ASSEMBLY	1	UFI PENETRATION PANEL, NO MULTICOIL (SEE SECTION 4)
3	2142000	N	ASSEMBLY	1	1.0T FXD Cx MAGNET ENCLOSURE (SEE SECTION 2)
4	2133388-6	N	PHANTOM KIT	1	Cx SPT PHANTOM CART KIT (SEE PAGE 1-102)

CATALOG M1840PR FRU N Cx LX SGD 1.0T FIXED SITE w/o MULTI-COIL

Item	Part Number	FRU	Name	Quantity	Description (Remarks)
1	46-282429G72	N	ASSEMBLY	1	LX 1.0T SGD FIXED SITE WITH OR W/O MC (SEE PAGE 1-186)
2	46-301383G12	N	PP1 ASSEMBLY	1	UFI PENETRATION PANEL, NO MULTICOIL (SEE SECTION 4)
3	2142000	N	ASSEMBLY	1	1.0T FXD Cx MAGNET ENCLOSURE (SEE SECTION 2)
4	2133388-6	N	PHANTOM KIT	1	Cx SPT PHANTOM CART KIT (SEE PAGE 1-102)

CATALOG M1841PN FRU N Cx LX 1.0T FIXED SITE with MULTI-COIL

Item	Part Number	FRU	Name	Quantity	Description (Remarks)
1	46-282429G69	N	ASSEMBLY	1	LX 1.0T FIXED SITE WITH OR W/O M/C (SEE PAGE 1-185)
2	46-301383G13	N	PEN PANEL	1	UFI PENETRATION PANEL, W/ MULTI-COIL (SEE SECTION 4)
3	2142000-2	N	ASSEMBLY	1	1.0T FIXED Cx MAGNET ENCLOSUR (SEE SECTION 2)
4	2133388-6	N	PHANTOM KIT	1	Cx SPT PHANTOM CART KIT (SEE PAGE 1-102)

CATALOG M1841PR FRU N Cx LX SGD 1.0T FIXED SITE with MULTI-COIL

Item	Part Number	FRU	Name	Quantity	Description (Remarks)
1	46-282429G72	N	ASSEMBLY	1	LX 1.0T SGD FIXED SITE WITH OR W/O MC (SEE PAGE 1-186)
2	46-301383G13	N	PEN PANEL	1	UFI PENETRATION PANEL, W/ MULTI-COIL (SEE SECTION 4)
3	2142000-2	N	ASSEMBLY	1	1.0T FIXED Cx MAGNET ENCLOSUR (SEE SECTION 2)
4	2133388-6	N	PHANTOM KIT	1	Cx SPT PHANTOM CART KIT (SEE PAGE 1-102)

CATALOG M1850PN FRU N Cx LX 1.0T MOBILE SITE w/o MULTI-COIL

Item	Part Number	FRU	Name	Quantity	Description (Remarks)
1	46-282429G71	N	ASSEMBLY	1	LX 1.0T MOBILE SITE WITH OR W/O M/C (SEE PAGE 1-186)
2	46-301383G12	N	PP1 ASSEMBLY	1	UFI PENETRATION PANEL, NO MULTICOIL (SEE SECTION 4)
3	2142000-3	N	ASSEMBLY	1	1.0T MOBILE Cx MAG ENCLOSURE (SEE SECTION 2)
4	2133388-7	N	PHANTOM KIT	1	CX SPT PHANTOM CART KIT MINUS CART (SEE PAGE 1-103)

CATALOG M1850PR FRU N Cx LX SGD 1.0T MOBILE SITE w/o MULTI-COIL

Item	Part Number	FRU	Name	Quantity	Description (Remarks)
1	46-282429G78	N	ASSEMBLY	1	LX SGD 1.0T MOBILE SITE WITH OR W/O M/C (SEE PAGE 1-186)
2	46-301383G12	N	PP1 ASSEMBLY	1	UFI PENETRATION PANEL, NO MULTICOIL (SEE SECTION 4)
3	2142000-3	N	ASSEMBLY	1	1.0T MOBILE Cx MAG ENCLOSURE (SEE SECTION 2)
4	2133388-7	N	PHANTOM KIT	1	CX SPT PHANTOM CART KIT MINUS CART (SEE PAGE 1-103)

CATALOG M1851PN FRU N Cx LX 1.0T MOBILE SITE with MULTI-COIL

Item	Part Number	FRU	Name	Quantity	Description (Remarks)
1	46-282429G71	N	ASSEMBLY	1	LX 1.0T MOBILE SITE WITH OR W/O M/C (SEE PAGE 1-186)
2	46-301383G13	N	PEN PANEL	1	UFI PENETRATION PANEL, W/ MULTI-COIL (SEE SECTION 4)
3	2142000-4	N	ASSEMBLY	1	1.0T MOBILE Cx MAG ENCLOSURE (SEE SECTION 2)
4	2133388-7	N	PHANTOM KIT	1	CX SPT PHANTOM CART KIT MINUS CART (SEE PAGE 1-103)

CATALOG M1851PR FRU N Cx LX SGD 1.0T MOBILE SITE with MULTI-COIL

Item	Part Number	FRU	Name	Quantity	Description (Remarks)
1	46-282429G74	N	ASSEMBLY	1	LX SGD 1.0T MOBILE WITH OR W/O M/C (SEE PAGE 1-187)
2	46-301383G13	N	PEN PANEL	1	UFI PENETRATION PANEL, W/ MULTI-COIL (SEE SECTION 4)
3	2142000-4	N	ASSEMBLY	1	1.0T MOBILE Cx MAG ENCLOSURE (SEE SECTION 2)
4	2133388-7	N	PHANTOM KIT	1	CX SPT PHANTOM CART KIT MINUS CART (SEE PAGE 1-103)

CATALOG M1860PN FRU N Cx LX 1.0T T/R SITE w/o MULTI-COIL

Item	Part Number	FRU	Name	Quantity	Description (Remarks)
1	46-282429G70	N	ASSEMBLY	1	LX 1.0T T/R SITE WITH OR W/O MULTICL (SEE PAGE 1-186)
2	46-301383G12	N	PP1 ASSEMBLY	1	UFI PENETRATION PANEL, NO MULTICOIL (SEE SECTION 4)
3	2142000-3	N	ASSEMBLY	1	1.0T MOBILE Cx MAG ENCLOSURE (SEE SECTION 2)
4	2133388-6	N	PHANTOM KIT	1	Cx SPT PHANTOM CART KIT (SEE PAGE 1-102)

CATALOG M1860PR FRU N Cx LX SGD 1.0T T/R SITE w/o MULTI-COIL

Item	Part Number	FRU	Name	Quantity	Description (Remarks)
1	46-282429G73	N	ASSEMBLY	1	LX SGD 1.0T T/R SITE WITH OR W/O M/C (SEE PAGE 1-187)
2	46-301383G12	N	PP1 ASSEMBLY	1	UFI PENETRATION PANEL, NO MULTICOIL (SEE SECTION 4)
3	2142000-3	N	ASSEMBLY	1	1.0T MOBILE Cx MAG ENCLOSURE (SEE SECTION 2)
4	2133388-6	N	PHANTOM KIT	1	Cx SPT PHANTOM CART KIT (SEE PAGE 1-102)
5	2214269	2	KIT OF PARTS	1	MOBILE MR OW MOUNTING KIT (SEE PAGE 1-173)

CATALOG M1861PN FRU N Cx LX 1.0T T/R SITE with MULTI-COIL

Item	Part Number	FRU	Name	Quantity	Description (Remarks)
1	46-282429G70	N	ASSEMBLY	1	LX 1.0T T/R SITE WITH OR W/O MULTICL (SEE PAGE 1-186)
2	46-301383G13	N	PEN PANEL	1	UFI PENETRATION PANEL, W/ MULTI-COIL (SEE SECTION 4)
3	2142000-4	N	ASSEMBLY	1	1.0T MOBILE Cx MAG ENCLOSURE (SEE SECTION 2)
4	2133388-6	N	PHANTOM KIT	1	Cx SPT PHANTOM CART KIT (SEE PAGE 1-102)

CATALOG M1861PR FRU N Cx LX SGD 1.0T T/R SITE with MULTI-COIL

Item	Part Number	FRU	Name	Quantity	Description (Remarks)
1	46-282429G73	N	ASSEMBLY	1	LX SGD 1.0T T/R SITE WITH OR W/O M/C (SEE PAGE 1-187)
2	46-301383G13	N	PEN PANEL	1	UFI PENETRATION PANEL, W/ MULTI-COIL (SEE SECTION 4)
3	2142000-4	N	ASSEMBLY	1	1.0T MOBILE Cx MAG ENCLOSURE (SEE SECTION 2)
4	2133388-6	N	PHANTOM KIT	1	Cx SPT PHANTOM CART KIT (SEE PAGE 1-102)
5	2214269	2	KIT OF PARTS	1	MOBILE MR OW MOUNTING KIT (SEE PAGE 1-173)

1-6 LCC LX SGD SYSTEM CATALOGS

CATALOG M1000WH FRU N LX SGD CRM LCC 1.5T EchoSpeed w/MULTI-COIL

Item	Part Number	FRU	Name	Quantity	Description (Remarks)
1	46-244813G30	N	SHIPPING COL	1	CV 1.5T SHIPPING COLLECTOR (SEE PAGE 1-95)
2	46-265300G1	N	TABLE ASM	1	LIGHTWEIGHT PATIENT TRANSPORT, PT1 (SEE SECTION 3)
3	46-271000G109	N	MR SYSTEM	1	LX2 SGD CRM 1.5T EchoSpeed W/PA (SEE PAGE 1-163)
10	2210340	1	MEDIA	1	LX SR77/120 OPTION S/W
13	46-271363G7	2	CABLE ASM	1	(042T) MR3CABI/FJ7 TO PD1-A2
14	2141978-5	1	WKSP I/F MOD	1	LIGHTNING WORKSPACE INTERFACE MODULE (SEE SEC. 13)
16	2138599-2	1	LCD MONITOR	1	LCD DISPLAY (800 X 600); COMES (SEE SECTION 13)
17	2154392-2	2	COLLECTOR	1	OPERATOR WORKSTATION CABLES/MRLX2 (SEE SEC. 13)
20	46-307830G1	N	POWER MODULE	1	POWER DISTRIBUTION BOX (SEE SECTION 13)
21	2160157	N	CABLE COVER	1	LIGHTNING CABLE COVER KIT (SEE SECTION 13)
22	2204796	N	ASSEMBLY	1	CENTRAL DATA SERIAL EXPANSION & MTG (SEE SECTION 13)
23	2169940-28	1	COMPUTER	1	SGI OCTANE MOUSE
60	46-301708G14	N	8.0LX INSITE	1	8.0 LX INSITE KIT WITHOUT MODEM (SEE PAGE 1-179)
70	2210001	N	ASSEMBLY	1	EchoSpeed OPTION KEY COLLECTOR (SEE PAGE 1-42)

CATALOG M1042PR FRU N LCC LX SGD 1.5T FIXED SITE w/o MULTI-COIL

Item	Part Number	FRU	Name	Quantity	Description (Remarks)
1	46-282429G36	N	INSTALLATION	1	LX SGD 1.5T FIXED WITH OR WITHOUT MC (SEE PAGE 1-182)
2	46-301383G12	N	PP1 ASSEMBLY	1	UFI PENETRATION PANEL, NO MULTICOIL (SEE SECTION 4)
3	2142000-15	N	ASSEMBLY	1	1.5T FXD LCC ENCL W/O PA (SEE SECTION 2)
4	2133388-6	N	PHANTOM KIT	1	Cx SPT PHANTOM CART KIT (SEE PAGE 1-102)
104	2160623-3	N	CD-ROM	1	SIGNA RELEASE LX SERVICE METHODS

CATALOG M1043PR FRU N LCC LX SGD 1.5T FIXED SITE with MULTI-COIL

Item	Part Number	FRU	Name	Quantity	Description (Remarks)
1	46-282429G36	N	INSTALLATION	1	LX SGD 1.5T FIXED WITH OR WITHOUT MC (SEE PAGE 1-182)
2	46-301383G13	N	PEN PANEL	1	UFI PENETRATION PANEL, W/ MULTI-COIL (SEE SECTION 4)
3	2142000-16	N	ASSEMBLY	1	1.5TFIX LCC ENCL W/PA (SEE SECTION 2)
4	2133388-6	N	PHANTOM KIT	1	Cx SPT PHANTOM CART KIT (SEE PAGE 1-102)
104	2160623-3	N	CD-ROM	1	SIGNA RELEASE LX SERVICE METHODS

CATALOG M1052PR FRU N LCC LX 1.5T SGD MOBILE SITE w/o MULTI-COIL

Item	Part Number	FRU	Name	Quantity	Description (Remarks)
1	46-282429G38	N	INSTALLATION	1	LX SGD 1.5T Cx MOBILE SITE (SEE PAGE 1-183)
2	46-301383G12	N	PP1 ASSEMBLY	1	UFI PENETRATION PANEL, NO MULTICOIL (SEE SECTION 4)
3	2142000-17	N	ASSEMBLY	1	1.5T MOB LCC ENCL W/O PA (SEE SECTION 2)
4	2133388-7	N	PHANTOM KIT	1	CX SPT PHANTOM CART KIT MINUS CART (SEE PAGE 1-103)
5	2214269	2	KIT OF PARTS	1	MOBILE MR OW MOUNTING KIT (SEE PAGE 1-173)
104	2160623-3	N	CD-ROM	1	SIGNA RELEASE LX SERVICE METHODS

CATALOG M1053PR FRU N LCC LX SGD 1.5T MOBILE SITE with MULTI-COIL

Item	Part Number	FRU	Name	Quantity	Description (Remarks)
1	46-282429G38	N	INSTALLATION	1	LX SGD 1.5T Cx MOBILE SITE (SEE PAGE 1-183)
2	46-301383G13	N	PEN PANEL	1	UFI PENETRATION PANEL, W/ MULTI-COIL (SEE SECTION 4)
3	2142000-18	N	ASSEMBLY	1	1.5T MOB LCC ENCL W/PA (SEE SECTION 2)
4	2133388-7	N	PHANTOM KIT	1	CX SPT PHANTOM CART KIT MINUS CART (SEE PAGE 1-103)
5	2214269	2	KIT OF PARTS	1	MOBILE MR OW MOUNTING KIT (SEE PAGE 1-173)
104	2160623-3	N	CD-ROM	1	SIGNA RELEASE LX SERVICE METHODS

CATALOG M1062PR FRU N LCC LX 1.5T SGD T/R SITE w/o MULTI-COIL

Item	Part Number	FRU	Name	Quantity	Description (Remarks)
1	46-282429G37	N	INSTALLATION	1	LX SGD 1.5T T/R SITE WITH OR WITHOUT (SEE PAGE 1-183)
2	46-301383G12	N	PP1 ASSEMBLY	1	UFI PENETRATION PANEL, NO MULTICOIL (SEE SECTION 4)
3	2142000-17	N	ASSEMBLY	1	1.5T MOB LCC ENCL W/O PA (SEE SECTION 2)
4	2133388-6	N	PHANTOM KIT	1	Cx SPT PHANTOM CART KIT (SEE PAGE 1-102)
5	2214269	2	KIT OF PARTS	1	MOBILE MR OW MOUNTING KIT (SEE PAGE 1-173)
104	2160623-3	N	DIRECTION	1	SIGNA LX SERVICE METHODS CD-ROM

CATALOG M1063PR FRU N LCC LX 1.5T SGD T/R SITE with MULTI-COIL

Item	Part Number	FRU	Name	Quantity	Description (Remarks)
1	46-282429G37	N	INSTALLATION	1	LX SGD 1.5T T/R SITE WITH OR WITHOUT (SEE PAGE 1-183)
2	46-301383G13	N	PEN PANEL	1	UFI PENETRATION PANEL, W/ MULTI-COIL (SEE SECTION 4)
3	2142000-18	N	ASSEMBLY	1	1.5T MOB LCC ENCL W/PA (SEE SECTION 2)
4	2133388-6	N	PHANTOM KIT	1	Cx SPT PHANTOM CART KIT (SEE PAGE 1-102)
5	2214269	2	KIT OF PARTS	1	MOBILE MR OW MOUNTING KIT (SEE PAGE 1-173)
104	2160623-3	N	DIRECTION	1	SIGNA LX SERVICE METHODS CD-ROM

CATALOG M1073PR FRU N CVMR LCC LX 1.5T SGD FXD SITE with MULTI-COIL

Item	Part Number	FRU	Name	Quantity	Description (Remarks)
1	46-282429G36	N	INSTALLATION	1	LX SGD 1.5T FIXED WITH OR W/O MC (SEE PAGE 1-182)
2	46-301383G13	N	PEN PANEL	1	UFI PENETRATION PANEL, W/ MULTI-COIL (SEE SECTION 4)
3	2142000-19	N	ASSEMBLY	1	1.5T FXD CRM LCC ENCL WPA (SEE SECTION 2)
4	2133388-6	N	PHANTOM KIT	1	Cx SPT PHANTOM CART KIT (SEE PAGE 1-102)
104	2160623-3	N	DIRECTION	1	SIGNA LX SERVICE METHODS CD-ROM

CATALOG M1060JS FRU N LCC FIXED BRM-D INSTALLATION KIT

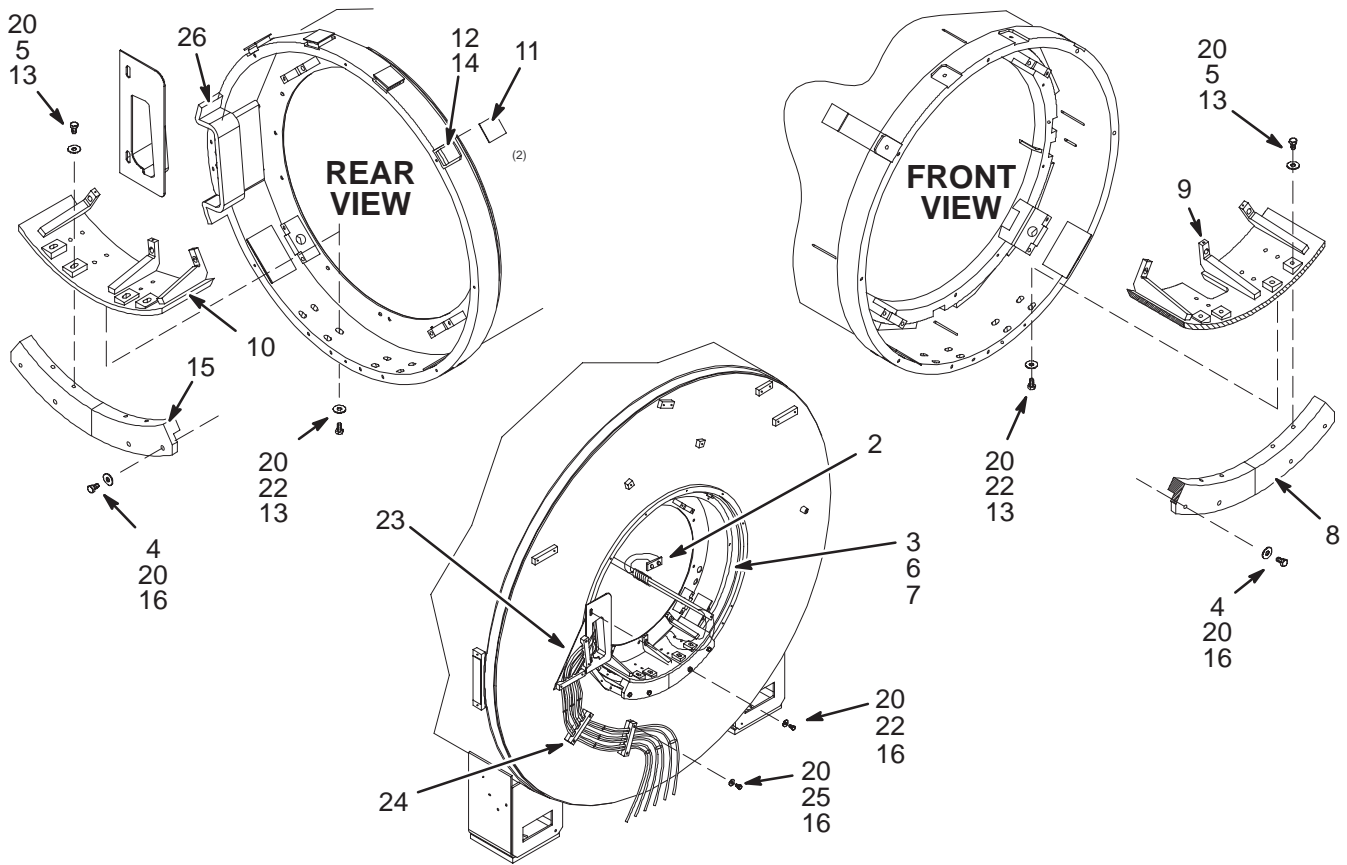
Item	Part Number	FRU	Name	Quantity	Description (Remarks)
1	2214166	N	INSTALLATION	1	BRM-D LCC MAGNET INSTALL PARTS LIST (SEE PAGE 1-35)
2	2204359-2	N	ENCLOSURE FR	1	LCC FIXED MAGNET FRAME KIT (SEE SECTION 2)

CATALOG M1061JS FRU N LCC MOBILE BRM-D INSTALLATION KIT

Item	Part Number	FRU	Name	Quantity	Description (Remarks)
1	2214166	N	INSTALLATION	1	BRM-D LCC MAGNET INSTALL PARTS LIST (SEE PAGE 1-35)
2	2204359	N	ENCLOSURE FR	1	LCC MOBILE MAGNET FRAME KIT (SEE SECTION 2)

LCC BRM-D MOUNTING KIT

2214166



LCC BRM-D INSTALL PARTS LIST

2214166 FRU N

(PART 1 OF M1060JS PAGE 1-34)

(PART 1 OF M1061JS PAGE 1-34)

Item	Part Number	FRU	Name	Quantity	Description (Remarks)
2	2139560	N	BULKHEAD ASM	1	BULKHEAD ASSEMBLY (SEE PAGE 1-155)
3	2179397	N	BRM ISOLATION	2	OPEN FOAM CAULKING STRIP - .25" THK
4	2109866-21	2	SCREW	6	SCREW HEXAGON HEAD 10 MM 30 MM
5	2109866-23	2	SCREW	8	SCREW HEXAGON HEAD 10 MM 40 MM
6	2179397-2	N	BRM ISOLATION	2	OPEN FOAM CAULKING STRIP - .375" THK
7	2179397-3	N	BRM ISOLATION	2	OPEN FOAM CAULKING STRIP - .500" THK
8	2147826	2	PART	1	FRONT SUPPORT MTG.
9	2213168	2	SUPPORT	1	BRM-D FRONT LOWER SUPPORT
10	2213167	2	SUPPORT	1	BRM-D REAR LOWER SUPPORT
11	2212715	2	BEARING SHIM	8	LCC BRM MOUNTING
12	2108933-2	2	PART	8	CAP SCREW, SPECIAL, HEX HEAD METRIC
13	46-170686P3	2	ADHESIVE	AR	LOCTITE 242, 50CC
14	46-170684P2	2	ADHESIVE	AR	LOCTITE 271, 10CC BOTTLE
15	2174668	2	PART	1	REAR SUPPORT MTG
16	46-294151P8	2	ADHES SPEC	AR	BOSTIK "NEVER-SEEZE" LUBRICATING
17	2181231	2	PART	4	FILLER PAD Cx
19	2157414	2	TAPE	AR	3M TARTAN FILAMENT TAPE 48MM X 55M
20	2184009	2	WASHER	54	WASHER PLAIN - NORMAL 10.5 MM 18 MM
22	2109872-16	2	SCREW	16	SCREW BUTTON HEAD
23	2214161	2	SUPPORT	1	GRADIENT CABLE SUPPORT
24	2214162	2	CLAMP	4	GRADIENT CABLE CLAMP
25	2109866-22	2	SCREW	8	SCREW HEXAGON HEAD 10 MM 35 MM

CATALOG		M1800WH	FRU N	LX SGD/OCTANE 1.0T LCC HORIZON BASE w/o M-C	
Item	Part Number	FRU	Name	Quantity	Description (Remarks)
1	46-244813G67	N	ASSEMBLY	1	LX 1.0T SIGNA HORIZON SHIP COLLECTOR (SEE PAGE 1-97)
2	46-265300G1	N	TABLE ASM	1	LIGHTWEIGHT PATIENT TRANSPORT, PT1(SEE SECTION 3)
3	46-271000G209	N	MR SYSTEM	1	LX2 SGD 1.0T HORIZON WITHOUT PA (SEE PAGE 1-165)
10	2210341	1	MEDIA	1	LX SR20 OPTION S/W
14	2141978-5	1	WKSP I/F MOD	1	LIGHTNING WORKSPACE INTERFACE MODULE (SEE SEC. 13)
16	2138599-2	1	LCD MONITOR	1	LCD DISPLAY (800 X 600); COMES (SEE SECTION 13)
17	2154392-2	2	COLLECTOR	1	OPERATOR WORKSTATION CABLES/MRLX2 (SEE SEC. 13)
19	2166395	N	MOUSE PAD	1	MOUSE PAD FOR SIGNA HORIZON LX
20	46-307830G1	N	POWER MODULE	1	POWER DISTRIBUTION BOX (SEE SECTION 13)
21	2160157	N	CABLE COVER	1	LIGHTNING CABLE COVER KIT (SEE SECTION 13)
22	2204796	N	ASSEMBLY	1	CENTRAL DATA SERIAL EXPANSION & MTG (SEE SECTION 13)
60	46-301708G14	N	8.0LX INSITE	1	8.0 LX INSITE KIT WITHOUT MODEM (SEE PAGE 1-179)

CATALOG		M1800WJ	FRU N	LX SGD/OCTANE 1.0T LCC HORIZON BASE w/M-C	
Item	Part Number	FRU	Name	Quantity	Description (Remarks)
1	46-244813G67	N	ASSEMBLY	1	LX 1.0T SIGNA HORIZON SHIP COLLECTOR (SEE PAGE 1-97)
2	46-265300G1	N	TABLE ASM	1	LIGHTWEIGHT PATIENT TRANSPORT, PT1 (SEE SECTION 3)
3	46-271000G210	N	MR SYSTEM	1	LX2 SGD LCC 1.0T HORIZON WITH PA SEE PAGE 1-165)
10	2210341	1	MEDIA	1	LX SR20 OPTION S/W
14	2141978-5	1	WKSP I/F MOD	1	LIGHTNING WORKSPACE INTERFACE MODULE (SEE SEC. 13)
16	2138599-2	1	LCD MONITOR	1	LCD DISPLAY (800 X 600); COMES (SEE SECTION 13)
17	2154392-2	2	COLLECTOR	1	OPERATOR WORKSTATION CABLES/MRLX2 (SEE SEC. 13)
20	46-307830G1	N	POWER MODULE	1	POWER DISTRIBUTION BOX (SEE SECTION 13)
21	2160157	N	CABLE COVER	1	LIGHTNING CABLE COVER KIT (SEE SECTION 13)
22	2204796	N	ASSEMBLY	1	CENTRAL DATA SERIAL EXPANSION & MTG (SEE SECTION 13)
60	46-301708G14	N	8.0LX INSITE	1	8.0 LX INSITE KIT WITHOUT MODEM (SEE PAGE 1-179)

CATALOG		M1800WK	FRU N	LX SGD/OCTANE 1.0T LCC HiSpeed w/o M-C	
Item	Part Number	FRU	Name	Quantity	Description (Remarks)
1	46-244813G67	N	ASSEMBLY	1	LX 1.0T SIGNA HORIZON SHIP COLLECTOR (SEE PAGE 1-97)
2	46-265300G1	N	TABLE ASM	1	LIGHTWEIGHT PATIENT TRANSPORT, PT1 (SEE SECTION 3)
3	46-271000G211	N	MR SYSTEM	1	LX2 SGD 1.0T HI-SPEED WITHOUT PA (SEE PAGE 1-166)
10	2210340	1	MEDIA	1	LX SR77/120 OPTION S/W
13	46-271363G7	2	CABLE ASM	1	(042T) MR3CABI/FJ7 TO PD1-A2
14	2141978-5	1	WKSP I/F MOD	1	LIGHTNING WORKSPACE INTERFACE MODULE (SEE SEC. 13)
16	2138599-2	1	LCD MONITOR	1	LCD DISPLAY (800 X 600); COMES (SEE SECTION 13)
17	2154392-2	2	COLLECTOR	1	OPERATOR WORKSTATION CABLES/MRLX2 (SEE SEC. 13)
20	46-307830G1	N	POWER MODULE	1	POWER DISTRIBUTION BOX (SEE SECTION 13)
21	2160157	N	CABLE COVER	1	LIGHTNING CABLE COVER KIT (SEE SECTION 13)
22	2204796	N	ASSEMBLY	1	CENTRAL DATA SERIAL EXPANSION & MTG (SEE SECTION 13)
60	46-301708G14	N	8.0LX INSITE	1	8.0 LX INSITE KIT WITHOUT MODEM (SEE PAGE 1-179)

CATALOG		M1800WL FRU N		LX SGD/OCTANE 1.0T LCC HiSpeed with M-C	
Item	Part Number	FRU	Name	Quantity	Description (Remarks)
1	46-244813G67	N	ASSEMBLY	1	LX 1.0T SIGNA HORIZON SHIP COLLECTOR (SEE PAGE 1-97)
2	46-265300G1	N	TABLE ASM	1	LIGHTWEIGHT PATIENT TRANSPORT, PT1 (SEE SECTION 3)
3	46-271000G212	N	MR SYSTEM	1	LX2 SGD LCC 1.0T HI-SPEED WITH PA (SEE PAGE 1-166)
10	2210340	1	MEDIA	1	LX SR77/120 OPTION S/W
13	46-271363G7	2	CABLE ASM	1	(042T) MR3CABI/FJ7 TO PD1-A2
14	2141978-5	1	WKSP I/F MOD	1	LIGHTNING WORKSPACE INTERFACE MODULE (SEE SEC. 13)
16	2138599-2	1	LCD MONITOR	1	LCD DISPLAY (800 X 600); COMES (SEE SECTION 13)
17	2154392-2	2	COLLECTOR	1	OPERATOR WORKSTATION CABLES/MRLX2 (SEE SEC. 13)
20	46-307830G1	N	POWER MODULE	1	POWER DISTRIBUTION BOX (SEE SECTION 13)
21	2160157	N	CABLE COVER	1	LIGHTNING CABLE COVER KIT (SEE SECTION 13)
22	2204796	N	ASSEMBLY	1	CENTRAL DATA SERIAL EXPANSION & MTG (SEE SECTION 13)
60	46-301708G14	N	8.0LX INSITE	1	8.0 LX INSITE KIT WITHOUT MODEM (SEE PAGE 1-179)

CATALOG M1842PR FRU N LCC LX SGD 1.0T FIXED SITE w/o MULTI-COIL

Item	Part Number	FRU	Name	Quantity	Description (Remarks)
1	46-282429G75	N	INSTALLATION	1	1.0T SGD FIXED CABLE COLLECTOR (SEE PAGE 1-187)
2	46-301383G12	N	PP1 ASSEMBLY	1	UFI PENETRATION PANEL, NO MULTICOIL (SEE SECTION 4)
3	2142000-11	N	ASSEMBLY	1	1.0T FXD LCC ENCL W/O PA (SEE SECTION 2)
4	2133388-6	N	PHANTOM KIT	1	Cx SPT PHANTOM CART KIT (SEE PAGE 1-102)

CATALOG M1843PR FRU N LCC LX SGD 1.0T FIXED SITE with MULTI-COIL

Item	Part Number	FRU	Name	Quantity	Description (Remarks)
1	46-282429G75	N	INSTALLATION	1	1.0T SGD FIXED CABLE COLLECTOR (SEE PAGE 1-187)
2	46-301383G13	N	PEN PANEL	1	UFI PENETRATION PANEL, W/ MULTI-COIL (SEE SECTION 4)
3	2142000-12	N	ASSEMBLY	1	1.0T FXD LCC MAG ENCL WITH PA (SEE SECTION 2)
4	2133388-6	N	PHANTOM KIT	1	Cx SPT PHANTOM CART KIT (SEE PAGE 1-102)

CATALOG M1852PR FRU N LCC LX SGD 1.0T MOBILE SITE w/o MULTI-COIL

Item	Part Number	FRU	Name	Quantity	Description (Remarks)
1	46-282429G76	N	INSTALLATION	1	1.0T SGD MOBILE CABLE COLLECTOR (SEE PAGE 1-188)
2	46-301383G12	N	PP1 ASSEMBLY	1	UFI PENETRATION PANEL, NO MULTICOIL (SEE SECTION 4)
3	2142000-13	N	ASSEMBLY	1	1.0T MOB LCC ENCL W/O PA (SEE SECTION 2)
4	2133388-7	N	PHANTOM KIT	1	CX SPT PHANTOM CART KIT MINUS CART (SEE PAGE 1-103)
5	2214269	2	KIT OF PARTS	1	MOBILE MR OW MOUNTING KIT (SEE PAGE 1-173)

CATALOG M1853PR FRU N LCC LX SGD 1.0T MOBILE SITE with MULTI-COIL

Item	Part Number	FRU	Name	Quantity	Description (Remarks)
1	46-282429G76	N	INSTALLATION	1	1.0T SGD MOBILE CABLE COLLECTOR (SEE PAGE 1-188)
2	46-301383G13	N	PEN PANEL	1	UFI PENETRATION PANEL, W/ MULTI-COIL (SEE SECTION 4)
3	2142000-14	N	ASSEMBLY	1	1.0T MOB LCC ENCL W/PA (SEE SECTION 2)
4	2133388-7	N	PHANTOM KIT	1	CX SPT PHANTOM CART KIT MINUS CART (SEE PAGE 1-103)
5	2214269	2	KIT OF PARTS	1	MOBILE MR OW MOUNTING KIT (SEE PAGE 1-173)

CATALOG M1862PR FRU N LCC LX SGD 1.0T T/R SITE with MULTI-COIL

Item	Part Number	FRU	Name	Quantity	Description (Remarks)
1	46-282429G77	N	INSTALLATION	1	1.0T SGD T/R CABLE COLLECTOR (SEE PAGE 1-188)
2	46-301383G12	N	PP1 ASSEMBLY	1	UFI PENETRATION PANEL, NO MULTICOIL (SEE SECTION 4)
3	2142000-13	N	ASSEMBLY	1	1.0T MOB LCC ENCL W/O PA (SEE SECTION 2)
4	2133388-6	N	PHANTOM KIT	1	Cx SPT PHANTOM CART KIT (SEE PAGE 1-102)
5	2214269	2	KIT OF PARTS	1	MOBILE MR OW MOUNTING KIT (SEE PAGE 1-173)

CATALOG M1863PR FRU N LCC LX SGD 1.0T T/R SITE with MULTI-COIL

Item	Part Number	FRU	Name	Quantity	Description (Remarks)
1	46-282429G77	N	INSTALLATION	1	1.0T SGD T/R CABLE COLLECTOR (SEE PAGE 1-188)
2	46-301383G13	N	PEN PANEL	1	UFI PENETRATION PANEL, W/ MULTI-COIL (SEE SECTION 4)
3	2142000-14	N	ASSEMBLY	1	1.0T MOB LCC ENCL W/PA (SEE SECTION 2)
4	2133388-6	N	PHANTOM KIT	1	Cx SPT PHANTOM CART KIT (SEE PAGE 1-102)
5	2214269	2	KIT OF PARTS	1	MOBILE MR OW MOUNTING KIT (SEE PAGE 1-173)

1-7 WideOpen LX SGD SYSTEM CATALOGS

CATALOG		M1000WY FRU N		LX SGD CRM WideOpen 1.5T EchoSpeed w/MC	
Item	Part Number	FRU	Name	Quantity	Description (Remarks)
1	46-244813G30	N	SHIPPING COL	1	CV 1.5T SHIPPING COLLECTOR (SEE PAGE 1-95)
2	46-265300G2	N	TABLE ASM	1	LCC PATIENT TRANSPORT - NEW COLORS (SEE SECTION 3)
3	46-271000G109	N	MR SYSTEM	1	LX2 SGD CRM 1.5T EchoSpeed W/PA (SEE PAGE 1-163)
10	2210340	1	MEDIA	1	LX SR77/120 OPTION S/W
13	46-271363G7	2	CABLE ASM	1	(042T) MR3CABI/FJ7 TO PD1-A2
14	2141978-5	1	WKSP I/F MOD	1	LIGHTNING WORKSPACE INTERFACE MODULE (SEE SEC. 13)
16	2138599-2	1	LCD MONITOR	1	LCD DISPLAY (800 X 600); COMES (SEE SECTION 13)
17	2154392-2	2	COLLECTOR	1	OPERATOR WORKSTATION CABLES/MRLX2 (SEE SEC. 13)
20	46-307830G1	N	POWER MODULE	1	POWER DISTRIBUTION BOX (SEE SECTION 13)
21	2160157	N	CABLE COVER	1	LIGHTNING CABLE COVER KIT (SEE SECTION 13)
22	2204796	N	ASSEMBLY	1	CENTRAL DATA SERIAL EXPANSION & MTG (SEE SECTION 13)
23	2169940-28	1	COMPUTER	1	SGI OCTANE MOUSE
60	46-301708G14	N	8.0LX INSITE	1	8.0 LX INSITE KIT WITHOUT MODEM (SEE PAGE 1-179)
70	2210001	N	ASSEMBLY	1	EchoSpeed OPTION KEY COLLECTOR (SEE PAGE 1-42)

CATALOG		M1000YA FRU N		LX SGD 1.5T WideOpen BASE w/o MULTI-COIL	
Item	Part Number	FRU	Name	Quantity	Description (Remarks)
1	46-244813G27	N	ASSEMBLY	1	LX 1.5T SIGNA HORIZON SHIP COLLECTOR (SEE PAGE 1-94)
2	46-265300G2	N	TABLE ASM	1	LCC PATIENT TRANSPORT - NEW COLORS (SEE SECTION 3)
3	46-271000G105	N	MR SYSTEM	1	LX2 SGD 1.5T HORIZN W/O PHASEDARRAY (SEE PAGE 1-162)
10	2210341	1	MEDIA	1	LX SR20 OPTION S/W
14	2141978-5	1	WKSP I/F MOD	1	LIGHTNING WORKSPACE INTERFACE MODULE (SEE SEC. 13)
16	2138599-2	1	LCD MONITOR	1	LCD DISPLAY (800 X 600); COMES (SEE SECTION 13)
17	2154392-2	2	COLLECTOR	1	OPERATOR WORKSTATION CABLES/MRLX2 (SEE SEC. 13)
20	46-307830G1	N	POWER MODULE	1	POWER DISTRIBUTION BOX (SEE SECTION 13)
21	2160157	N	CABLE COVER	1	LIGHTNING CABLE COVER KIT (SEE SECTION 13)
22	2204796	N	ASSEMBLY	1	CENTRAL DATA SERIAL EXPANSION & MTG (SEE SECTION 13)
60	46-301708G14	N	8.0LX INSITE	1	8.0 LX INSITE KIT WITHOUT MODEM (SEE PAGE 1-179)

CATALOG		M1000YD FRU N		LX SGD 1.5T WideOpen BASE with MULTI-COIL	
Item	Part Number	FRU	Name	Quantity	Description (Remarks)
1	46-244813G27	N	ASSEMBLY	1	LX 1.5T SIGNA HORIZON SHIP COLLECTOR (SEE PAGE 1-94)
2	46-265300G2	N	TABLE ASM	1	LCC PATIENT TRANSPORT - NEW COLORS (SEE SECTION 3)
3	46-271000G106	N	MR SYSTEM	1	LX2 SGD 1.5T HORIZON W/PHASED ARRAY (SEE PAGE 1-162)
10	2210341	1	MEDIA	1	LX SR20 OPTION S/W
14	2141978-5	1	WKSP I/F MOD	1	LIGHTNING WORKSPACE INTERFACE MODULE (SEE SEC. 13)
16	2138599-2	1	LCD MONITOR	1	LCD DISPLAY (800 X 600); COMES (SEE SECTION 13)
17	2154392-2	2	COLLECTOR	1	OPERATOR WORKSTATION CABLES/MRLX2 (SEE SEC. 13)
20	46-307830G1	N	POWER MODULE	1	POWER DISTRIBUTION BOX (SEE SECTION 13)
21	2160157	N	CABLE COVER	1	LIGHTNING CABLE COVER KIT (SEE SECTION 13)
22	2204796	N	ASSEMBLY	1	CENTRAL DATA SERIAL EXPANSION & MTG (SEE SECTION 13)
60	46-301708G14	N	8.0LX INSITE	1	8.0 LX INSITE KIT WITHOUT MODEM (SEE PAGE 1-179)

CATALOG M1000YF FRU N LX SGD 1.5T WideOpen HiSpeed with MULTI-COIL

Item	Part Number	FRU	Name	Quantity	Description (Remarks)
1	46-244813G27	N	ASSEMBLY	1	LX 1.5T SIGNA HORIZON SHIP COLLECTOR (SEE PAGE 1-94)
2	46-265300G2	N	TABLE ASM	1	LCC PATIENT TRANSPORT – NEW COLORS (SEE SECTION 3)
3	46-271000G107	N	MR SYSTEM	1	LX2 SGD 1.5T HiSpeed W/PHASED ARRAY (SEE PAGE 1-163)
10	2210340	1	MEDIA	1	LX SR77/120 OPTION S/W
13	46-271363G7	2	CABLE ASM	1	(042T) MR3CABI/FJ7 TO PD1-A2
14	2141978-5	1	WKSP I/F MOD	1	LIGHTNING WORKSPACE INTERFACE MODULE (SEE SEC. 13)
16	2138599-2	1	LCD MONITOR	1	LCD DISPLAY (800 X 600); COMES (SEE SECTION 13)
17	2154392-2	2	COLLECTOR	1	OPERATOR WORKSTATION CABLES/MRLX2 (SEE SEC. 13)
20	46-307830G1	N	POWER MODULE	1	POWER DISTRIBUTION BOX (SEE SECTION 13)
21	2160157	N	CABLE COVER	1	LIGHTNING CABLE COVER KIT (SEE SECTION 13)
22	2204796	N	ASSEMBLY	1	CENTRAL DATA SERIAL EXPANSION & MTG (SEE SECTION 13)
60	46-301708G14	N	8.0LX INSITE	1	8.0 LX INSITE KIT WITHOUT MODEM (SEE PAGE 1-179)

CATALOG M1000YG FRU N LX SGD 1.5T WideOpen EchoSpeed w/MULTI-COIL

Item	Part Number	FRU	Name	Quantity	Description (Remarks)
1	46-244813G27	N	ASSEMBLY	1	LX 1.5T SIGNA HORIZON SHIP COLLECTOR (SEE PAGE 1-94)
2	46-265300G2	N	TABLE ASM	1	LCC PATIENT TRANSPORT – NEW COLORS (SEE SECTION 3)
3	46-271000G108	N	MR SYSTEM	1	LX2 SGD 1.5T EchoSpeed W/PHSD ARRAY (SEE PAGE 1-163)
10	2210340	1	MEDIA	1	LX SR77/120 OPTION S/W
13	46-271363G7	2	CABLE ASM	1	(042T) MR3CABI/FJ7 TO PD1-A2
14	2141978-5	1	WKSP I/F MOD	1	LIGHTNING WORKSPACE INTERFACE MODULE (SEE SEC. 13)
16	2138599-2	1	LCD MONITOR	1	LCD DISPLAY (800 X 600); COMES (SEE SECTION 13)
17	2154392-2	2	COLLECTOR	1	OPERATOR WORKSTATION CABLES/MRLX2 (SEE SEC. 13)
20	46-307830G1	N	POWER MODULE	1	POWER DISTRIBUTION BOX (SEE SECTION 13)
21	2160157	N	CABLE COVER	1	LIGHTNING CABLE COVER KIT (SEE SECTION 13)
22	2204796	N	ASSEMBLY	1	CENTRAL DATA SERIAL EXPANSION & MTG (SEE SECTION 13)
60	46-301708G14	N	8.0LX INSITE	1	8.0 LX INSITE KIT WITHOUT MODEM (SEE PAGE 1-179)
70	2210001	N	ASSEMBLY	1	EchoSpeed OPTION KEY COLLECTOR (SEE PAGE 1-42)

CATALOG		M1000ZA		FRU N	LX3 SGD 1.5T WideOpen SR20 w/o MULTI-COIL
Item	Part Number	FRU	Name	Quantity	Description (Remarks)
1	46-244813G27	N	ASSEMBLY	1	LX 1.5T SIGNA HORIZON SHIP COLLECTOR (SEE PAGE 1-94)
2	46-265300G2	N	TABLE ASM	1	LCC PATIENT TRANSPORT – NEW COLORS (SEE SECTION 3)
3	46-271000G111	N	MR SYSTEM	1	LX3 SGD 1.5T W/O PHASED ARRAY (SEE PAGE 1-164)
14	2141978-5	1	WKSP I/F MOD	1	LIGHTNING WORKSPACE INTERFACE MODULE (SEE SEC. 13)
16	2138599-2	1	LCD MONITOR	1	LCD DISPLAY (800 X 600); COMES (SEE SECTION 13)
17	2154392-2	2	COLLECTOR	1	OPERATOR WORKSTATION CABLES/MRLX2 (SEE SEC. 13)
19	2166395	N	MOUSE PAD	1	MOUSE PAD FOR SIGNA HORIZON LX
20	46-307830G1	N	POWER MODULE	1	POWER DISTRIBUTION BOX (SEE SECTION 13)
21	2160157	N	CABLE COVER	1	LIGHTNING CABLE COVER KIT (SEE SECTION 13)
22	2204796	N	ASSEMBLY	1	CENTRAL DATA SERIAL EXPANSION & MTG (SEE SECTION 13)
60	46-301708G14	N	8.0LX INSITE	1	8.0 LX INSITE KIT WITHOUT MODEM (SEE PAGE 1-179)

CATALOG		M1000ZB		FRU N	LX3 SGD 1.5T WideOpen SR20 w/MULTI-COIL
Item	Part Number	FRU	Name	Quantity	Description (Remarks)
1	46-244813G27	N	ASSEMBLY	1	LX 1.5T SIGNA HORIZON SHIP COLLECTOR (SEE PAGE 1-94)
2	46-265300G2	N	TABLE ASM	1	LCC PATIENT TRANSPORT – NEW COLORS (SEE SECTION 3)
3	46-271000G112	N	MR SYSTEM	1	LX3 SGD 1.5T W/PHASED ARRAY (SEE PAGE 1-164)
14	2141978-5	1	WKSP I/F MOD	1	LIGHTNING WORKSPACE INTERFACE MODULE (SEE SEC. 13)
16	2138599-2	1	LCD MONITOR	1	LCD DISPLAY (800 X 600); COMES (SEE SECTION 13)
17	2154392-2	2	COLLECTOR	1	OPERATOR WORKSTATION CABLES/MRLX2 (SEE SEC. 13)
19	2166395	N	MOUSE PAD	1	MOUSE PAD FOR SIGNA HORIZON LX
20	46-307830G1	N	POWER MODULE	1	POWER DISTRIBUTION BOX (SEE SECTION 13)
21	2160157	N	CABLE COVER	1	LIGHTNING CABLE COVER KIT (SEE SECTION 13)
22	2204796	N	ASSEMBLY	1	CENTRAL DATA SERIAL EXPANSION & MTG (SEE SECTION 13)
60	46-301708G14	N	8.0LX INSITE	1	8.0 LX INSITE KIT WITHOUT MODEM (SEE PAGE 1-179)

CATALOG		M1000ZH		FRU N	LX3 SGD 1.5T WideOpen HiSpeed w/MULTI-COIL
Item	Part Number	FRU	Name	Quantity	Description (Remarks)
1	46-244813G27	N	ASSEMBLY	1	LX 1.5T SIGNA HORIZON SHIP COLLECTOR (SEE PAGE 1-94)
2	46-265300G2	N	TABLE ASM	1	LCC PATIENT TRANSPORT – NEW COLORS (SEE SECTION 3)
3	46-271000G113	N	MR SYSTEM	1	LX3 SGD 1.5T HiSpeed W/PHASED ARRAY (SEE PAGE 1-164)
13	46-271363G7	2	CABLE ASM	1	(042T) MR3CABI/FJ7 TO PD1-A2
14	2141978-5	1	WKSP I/F MOD	1	LIGHTNING WORKSPACE INTERFACE MODULE (SEE SEC. 13)
16	2138599-2	1	LCD MONITOR	1	LCD DISPLAY (800 X 600); COMES (SEE SECTION 13)
17	2154392-2	2	COLLECTOR	1	OPERATOR WORKSTATION CABLES/MRLX2 (SEE SEC. 13)
19	2166395	N	MOUSE PAD	1	MOUSE PAD FOR SIGNA HORIZON LX
20	46-307830G1	N	POWER MODULE	1	POWER DISTRIBUTION BOX (SEE SECTION 13)
21	2160157	N	CABLE COVER	1	LIGHTNING CABLE COVER KIT (SEE SECTION 13)
22	2204796	N	ASSEMBLY	1	CENTRAL DATA SERIAL EXPANSION & MTG (SEE SECTION 13)
60	46-301708G14	N	8.0LX INSITE	1	8.0 LX INSITE KIT WITHOUT MODEM (SEE PAGE 1-179)

CATALOG M1000ZJ FRU N LX3 SGD 1.5T WideOpen EchoSpeed w/MULTI-COIL

Item	Part Number	FRU	Name	Quantity	Description (Remarks)
1	46-244813G27	N	ASSEMBLY	1	LX 1.5T SIGNA HORIZON SHIP COLLECTOR (SEE PAGE 1-94)
2	46-265300G2	N	TABLE ASM	1	LCC PATIENT TRANSPORT – NEW COLORS (SEE SECTION 3)
3	46-271000G114	N	MR SYSTEM	1	LX3 SGD 1.5T EchoSpeed W/PA (SEE PAGE 1-164)
13	46-271363G7	2	CABLE ASM	1	(042T) MR3CABI/FJ7 TO PD1-A2
14	2141978-5	1	WKSP I/F MOD	1	LIGHTNING WORKSPACE INTERFACE MODULE (SEE SEC. 13)
16	2138599-2	1	LCD MONITOR	1	LCD DISPLAY (800 X 600); COMES (SEE SECTION 13)
17	2154392-2	2	COLLECTOR	1	OPERATOR WORKSTATION CABLES/MRLX2 (SEE SEC. 13)
19	2166395	N	MOUSE PAD	1	MOUSE PAD FOR SIGNA HORIZON LX
20	46-307830G1	N	POWER MODULE	1	POWER DISTRIBUTION BOX (SEE SECTION 13)
21	2160157	N	CABLE COVER	1	LIGHTNING CABLE COVER KIT (SEE SECTION 13)
22	2204796	N	ASSEMBLY	1	CENTRAL DATA SERIAL EXPANSION & MTG (SEE SECTION 13)
60	46-301708G14	N	8.0LX INSITE	1	8.0 LX INSITE KIT WITHOUT MODEM (SEE PAGE 1-179)
70	2210001	N	ASSEMBLY	1	EchoSpeed OPTION KEY COLLECTOR (SEE PAGE 1-42)

CATALOG M1000ZK FRU N LX3 SGD CRM 1.5T WideOpen EchoSpeed w/MC

Item	Part Number	FRU	Name	Quantity	Description (Remarks)
1	46-244813G30	N	SHIPPING COL	1	CV 1.5T SHIPPING COLLECTOR (SEE PAGE 1-95)
2	46-265300G2	N	TABLE ASM	1	LCC PATIENT TRANSPORT – NEW COLORS (SEE SECTION 3)
3	46-271000G114	N	MR SYSTEM	1	LX3 SGD 1.5T EchoSpeed W/PA (SEE PAGE 1-164)
13	46-271363G7	2	CABLE ASM	1	(042T) MR3CABI/FJ7 TO PD1-A2
14	2141978-5	1	WKSP I/F MOD	1	LIGHTNING WORKSPACE INTERFACE MODULE (SEE SEC. 13)
16	2138599-2	1	LCD MONITOR	1	LCD DISPLAY (800 X 600); COMES (SEE SECTION 13)
17	2154392-2	2	COLLECTOR	1	OPERATOR WORKSTATION CABLES/MRLX2 (SEE SEC. 13)
19	2166395	N	MOUSE PAD	1	MOUSE PAD FOR SIGNA HORIZON LX
20	46-307830G1	N	POWER MODULE	1	POWER DISTRIBUTION BOX (SEE SECTION 13)
21	2160157	N	CABLE COVER	1	LIGHTNING CABLE COVER KIT (SEE SECTION 13)
22	2204796	N	ASSEMBLY	1	CENTRAL DATA SERIAL EXPANSION & MTG (SEE SECTION 13)
60	46-301708G14	N	8.0LX INSITE	1	8.0 LX INSITE KIT WITHOUT MODEM (SEE PAGE 1-179)
70	2210001	N	ASSEMBLY	1	EchoSpeed OPTION KEY COLLECTOR (SEE PAGE 1-42)

CATALOG M1000ZS FRU N PULSAR CRM 1.5T ECHOSPEED w/MC

Item	Part Number	FRU	Name	Quantity	Description (Remarks)
1	46-244813G30	N	SHIPPING COL	1	CV 1.5T SHIPPING COLLECTOR (SEE PAGE 1-95)
2	46-265300G2	N	TABLE ASM	1	LCC PATIENT TRANSPORT – NEW COLORS (SEE SECTION 3)
3	46-271000G115	N	MR SYSTEM	1	PULSAR SGD 1.5T ECHOSPEED W/PHSD ARR
13	46-271363G7	2	CABLE ASM	1	(042T) MR3CABI/FJ7 TO PD1-A2
14	2141978-5	1	WKSP I/F MOD	1	LIGHTNING WORKSPACE INTERFACE MODULE (SEE SEC. 13)
16	2138599-2	1	LCD MONITOR	1	LCD DISPLAY (800 X 600); COMES (SEE SECTION 13)
17	2154392-2	2	COLLECTOR	1	OPERATOR WORKSTATION CABLES/MRLX2 (SEE SEC. 13)
19	2166395	N	MOUSE PAD	1	MOUSE PAD FOR SIGNA HORIZON LX
20	46-307830G1	N	POWER MODULE	1	POWER DISTRIBUTION BOX (SEE SECTION 13)
21	2160157	N	CABLE COVER	1	LIGHTNING CABLE COVER KIT (SEE SECTION 13)
22	2204796	2	ASSEMBLY	1	CENTRAL DATA SERIAL EXPANSION & MTG (SEE SECTION 13)
60	46-301708G14	N	8.0LX INSITE	1	LX INSITE KIT—MAGNETIC CAB LABELS (SEE PAGE 1-179)
70	2210001	N	ASSEMBLY	1	ECHOSPEED OPTION KEY COLLECTOR (SEE PAGE 1-42)

EchoSpeed OPTION KEY COLLECTOR 2210001 FRU N (PART 70 OF M1000RG, WG, WH, WY, YG, ZJ, ZK, ZS PAGES 1-18 THRU 1-42)

Item	Part Number	FRU	Name	Quantity	Description (Remarks)
1	2209991	1	MEDIA	1	SIGNA LX EchoSpeed OPTION MEDIA
2	2209382	N	DIRECTION	1	HORIZON LX S/W OPTIONS INSTALL (MOD)

CATALOG M1042PS FRU N LX SGD 1.5T WideOpen FIXED w/o MULTI-COIL

Item	Part Number	FRU	Name	Quantity	Description (Remarks)
1	46-282429G83	N	INSTALLATION	1	1.5T SGD FIX CABLE COLL WideOpen (SEE PAGE 1-190)
2	46-301383G12	N	PP1 ASSEMBLY	1	UFI PENETRATION PANEL, NO MULTICOIL (SEE SECTION 4)
3	2202900-5	N	ASSEMBLY	1	1.5T FIX WideOpen W/O PA (SEE SECTION 2)
4	2133388-6	N	PHANTOM KIT	1	Cx SPT PHANTOM CART KIT (SEE PAGE 1-102)
51	2227157	N	COLLECTOR	1	WIDE OPEN TECH PUBS COLLECTOR

CATALOG M1043PS FRU N LX SGD 1.5T WideOpen FIXED with MULTI-COIL

Item	Part Number	FRU	Name	Quantity	Description (Remarks)
1	46-282429G83	N	INSTALLATION	1	1.5T SGD FIX CABLE COLL WideOpen (SEE PAGE 1-190)
2	46-301383G13	N	PEN PANEL	1	UFI PENETRATION PANEL, W/ MULTI-COIL (SEE SECTION 4)
3	2202900-6	N	ASSEMBLY	1	1.5T FIX LCC WideOpen ENCL W/PA (SEE SECTION 2)
4	2133388-6	N	PHANTOM KIT	1	Cx SPT PHANTOM CART KIT (SEE PAGE 1-102)
51	2227157	N	COLLECTOR	1	WIDE OPEN TECH PUBS COLLECTOR

CATALOG M1043PT FRU N LX 1.5T SGD FIXED w/MC & LONGER CABLES

Item	Part Number	FRU	Name	Quantity	Description (Remarks)
1	46-282429G50	N	INSTALLATION	1	1.5T SGD FIX WIDE OPEN LONGER CABLES (SEE PAGE 1-183)
2	46-301383G13	N	PEN PANEL	1	UFI PENETRATION PANEL, W/ MULTI-COIL (SEE SECTION 4)
3	2202900-6	N	ASSEMBLY	1	1.5T FIX LCC WIDE OPEN ENCL W/PA (SEE SECTION 2)
4	2133388-6	N	PHANTOM KIT	1	CONQUEST SPT PHANTOM CART KIT (SEE PAGE 1-102)

CATALOG M1052PS FRU N LX 1.5T SGD WideOpen MOBILE w/o MULTI-COIL

Item	Part Number	FRU	Name	Quantity	Description (Remarks)
1	46-282429G85	N	INSTALLATION	1	1.5T SGD MOB CAB COL WideOpen (SEE PAGE 1-190)
2	46-301383G12	N	PP1 ASSEMBLY	1	UFI PENETRATION PANEL, NO MULTICOIL (SEE SECTION 4)
3	2202900-7	N	ASSEMBLY	1	1.5T MOB WideOpen W/O PA (SEE SECTION 2)
4	2133388-7	N	PHANTOM KIT	1	CX SPT PHANTOM CART KIT MINUS CART (SEE PAGE 1-173)
5	2214269	N	KIT OF PARTS	1	MOBILE MR OW MOUNTING KIT (SEE PAGE 1-173)
51	2227157	N	COLLECTOR	1	WIDE OPEN TECH PUBS COLLECTOR

CATALOG M1053PS FRU N LX 1.5T SGD WideOpen MOBILE with MULTI-COIL

Item	Part Number	FRU	Name	Quantity	Description (Remarks)
1	46-282429G85	N	INSTALLATION	1	1.5T SGD MOB CAB COL WideOpen (SEE PAGE 1-190)
2	46-301383G13	N	PEN PANEL	1	UFI PENETRATION PANEL, W/ MULTI-COIL (SEE SECTION 4)
3	2202900-8	N	ASSEMBLY	1	1.5T MOB W/PA WideOpen (SEE SECTION 2)
4	2133388-7	N	PHANTOM KIT	1	CX SPT PHANTOM CART KIT MINUS CART (SEE PAGE 1-173)
5	2214269	N	KIT OF PARTS	1	MOBILE MR OW MOUNTING KIT (SEE PAGE 1-173)
51	2227157	N	COLLECTOR	1	WIDE OPEN TECH PUBS COLLECTOR

CATALOG M1062PS FRU N LX 1.5T SGD WideOpen T/R SITE w/o MULTI-COIL

Item	Part Number	FRU	Name	Quantity	Description (Remarks)
1	46-282429G84	N	INSTALLATION	1	1.5T SGD T/R CAB COL WideOpen (SEE PAGE 1-190)
2	46-301383G12	N	PP1 ASSEMBLY	1	UFI PENETRATION PANEL, NO MULTICOIL (SEE SECTION 4)
3	2202900-5	N	ASSEMBLY	1	1.5T FIX WideOpen W/O PA (SEE SECTION 2)
4	2133388-6	N	PHANTOM KIT	1	Cx SPT PHANTOM CART KIT (SEE PAGE 1-102)
5	2214269	2	KIT OF PARTS	1	MOBILE MR OW MOUNTING KIT (SEE PAGE 1-173)
51	2227157	N	COLLECTOR	1	WIDE OPEN TECH PUBS COLLECTOR

CATALOG M1063PS FRU N LX 1.5T SGD WideOpen T/R SITE with MULTI-COIL

Item	Part Number	FRU	Name	Quantity	Description (Remarks)
1	46-282429G84	N	INSTALLATION	1	1.5T SGD T/R CAB COL WideOpen (SEE PAGE 1-190)
2	46-301383G13	N	PEN PANEL	1	UFI PENETRATION PANEL, W/ MULTI-COIL (SEE SECTION 4)
3	2202900-6	N	ASSEMBLY	1	1.5T FIX LCC WideOpen ENCL W/PA (SEE SECTION 2)
4	2133388-6	N	PHANTOM KIT	1	Cx SPT PHANTOM CART KIT (SEE PAGE 1-102)
5	2214269	2	KIT OF PARTS	1	MOBILE MR OW MOUNTING KIT (SEE PAGE 1-173)
51	2227157	N	COLLECTOR	1	WIDE OPEN TECH PUBS COLLECTOR

CATALOG M1073PS FRU N CV/i LX SGD WideOpen FXD SITE w/MULTI-COIL

Item	Part Number	FRU	Name	Quantity	Description (Remarks)
1	46-282429G83	N	INSTALLATION	1	1.5T SGD FIX CABLE COLL WideOpen (SEE PAGE 1-190)
2	46-301383G13	N	PEN PANEL	1	UFI PENETRATION PANEL, W/ MULTI-COIL (SEE SECTION 4)
3	2202900-9	N	ASSEMBLY	1	1.5T FIX CARDIAC WIDE OPN (SEE SECTION 2)
4	2133388-6	N	PHANTOM KIT	1	CONQUEST SPT PHANTOM CART KIT (SEE PAGE 1-102)
51	2227157	N	COLLECTOR	1	WIDE OPEN TECH PUBS COLLECTOR

CATALOG M1093PS FRU N CV/i LX SGD WideOpen T/R SITE w/MULTI-COIL

Item	Part Number	FRU	Name	Quantity	Description (Remarks)
1	46-282429G84	N	INSTALLATION	1	1.5T SGD T/R CAB COL WIDE OPEN (SEE PAGE 1-190)
2	46-301383G13	N	PEN PANEL	1	UFI PENETRATION PANEL, W/ MULTI-COIL (SEE SECTION 4)
3	2202900-9	N	ASSEMBLY	1	1.5T FIX CARDIAC WIDE OPN (SEE SECTION 2)
4	2133388-6	N	PHANTOM KIT	1	CONQUEST SPT PHANTOM CART KIT (SEE PAGE 1-102)
5	2214269	2	KIT OF PARTS	1	MOBILE MR OW MOUNTING KIT (SEE PAGE 1-173)
51	2227157	N	COLLECTOR	1	WideOpen SERVICE PUBS COLLECTOR

CATALOG		M1800YA FRU N		LX SGD 1.0T WideOpen BASE w/o MULTI-COIL	
Item	Part Number	FRU	Name	Quantity	Description (Remarks)
1	46-244813G67	N	ASSEMBLY	1	LX 1.0T SIGNA HORIZON SHIP COLLECTOR (SEE PAGE 1-97)
2	46-265300G2	N	TABLE ASM	1	LCC PATIENT TRANSPORT – NEW COLORS (SEE SECTION 3)
3	46-271000G209	N	MR SYSTEM	1	LX2 SGD 1.0T HORIZON WITHOUT PA (SEE PAGE 1-165)
10	2210341	1	MEDIA	1	LX SR20 OPTION S/W
14	2141978-5	1	WKSP I/F MOD	1	LIGHTNING WORKSPACE INTERFACE MODULE (SEE SEC. 13)
16	2138599-2	1	LCD MONITOR	1	LCD DISPLAY (800 X 600); COMES (SEE SECTION 13)
17	2154392-2	2	COLLECTOR	1	OPERATOR WORKSTATION CABLES/MRLX2 (SEE SEC. 13)
19	2166395	N	MOUSE PAD	1	MOUSE PAD FOR SIGNA HORIZON LX
20	46-307830G1	N	POWER MODULE	1	POWER DISTRIBUTION BOX (SEE SECTION 13)
21	2160157	N	CABLE COVER	1	LIGHTNING CABLE COVER KIT (SEE SECTION 13)
22	2204796	N	ASSEMBLY	1	CENTRAL DATA SERIAL EXPANSION & MTG (SEE SECTION 13)
60	46-301708G14	N	8.0LX INSITE	1	8.0 LX INSITE KIT WITHOUT MODEM (SEE PAGE 1-179)

CATALOG		M1800YD FRU N		LX SGD 1.0T WideOpen BASE with MULTI-COIL	
Item	Part Number	FRU	Name	Quantity	Description (Remarks)
1	46-244813G67	N	ASSEMBLY	1	LX 1.0T SIGNA HORIZON SHIP COLLECTOR (SEE PAGE 1-97)
2	46-265300G2	N	TABLE ASM	1	LCC PATIENT TRANSPORT – NEW COLORS (SEE SECTION 3)
3	46-271000G210	N	MR SYSTEM	1	LX2 SGD LCC 1.0T HORIZON WITH PA (SEE PAGE 1-165)
10	2210341	1	MEDIA	1	LX SR20 OPTION S/W
14	2141978-5	1	WKSP I/F MOD	1	LIGHTNING WORKSPACE INTERFACE MODULE (SEE SEC. 13)
16	2138599-2	1	LCD MONITOR	1	LCD DISPLAY (800 X 600); COMES (SEE SECTION 13)
17	2154392-2	2	COLLECTOR	1	OPERATOR WORKSTATION CABLES/MRLX2 (SEE SEC. 13)
19	2166395	N	MOUSE PAD	1	MOUSE PAD FOR SIGNA HORIZON LX
20	46-307830G1	N	POWER MODULE	1	POWER DISTRIBUTION BOX (SEE SECTION 13)
21	2160157	N	CABLE COVER	1	LIGHTNING CABLE COVER KIT (SEE SECTION 13)
22	2204796	N	ASSEMBLY	1	CENTRAL DATA SERIAL EXPANSION & MTG (SEE SECTION 13)
60	46-301708G14	N	8.0LX INSITE	1	8.0 LX INSITE KIT WITHOUT MODEM (SEE PAGE 1-179)

CATALOG		M1800YE FRU N		LX SGD 1.0T WideOpen HiSpeed w/o MULTI-COIL	
Item	Part Number	FRU	Name	Quantity	Description (Remarks)
1	46-244813G67	N	ASSEMBLY	1	LX 1.0T SIGNA HORIZON SHIP COLLECTOR (SEE PAGE 1-97)
2	46-265300G2	N	TABLE ASM	1	LCC PATIENT TRANSPORT – NEW COLORS (SEE SECTION 3)
3	46-271000G211	N	MR SYSTEM	1	LX2 SGD 1.0T HI-SPEED WITHOUT PA (SEE PAGE 1-166)
10	2210340	1	MEDIA	1	LX SR77/120 OPTION S/W
13	46-271363G7	2	CABLE ASM	1	(042T) MR3CABI/FJ7 TO PD1-A2
14	2141978-5	1	WKSP I/F MOD	1	LIGHTNING WORKSPACE INTERFACE MODULE (SEE SEC. 13)
16	2138599-2	1	LCD MONITOR	1	LCD DISPLAY (800 X 600); COMES (SEE SECTION 13)
17	2154392-2	2	COLLECTOR	1	OPERATOR WORKSTATION CABLES/MRLX2 (SEE SEC. 13)
19	2166395	N	MOUSE PAD	1	MOUSE PAD FOR SIGNA HORIZON LX
20	46-307830G1	N	POWER MODULE	1	POWER DISTRIBUTION BOX (SEE SECTION 13)
21	2160157	N	CABLE COVER	1	LIGHTNING CABLE COVER KIT (SEE SECTION 13)
22	2204796	N	ASSEMBLY	1	CENTRAL DATA SERIAL EXPANSION & MTG (SEE SECTION 13)
60	46-301708G14	N	8.0LX INSITE	1	8.0 LX INSITE KIT WITHOUT MODEM (SEE PAGE 1-179)

CATALOG		M1800YF FRU N		LX SGD 1.0T WideOpen HiSpeed with MULTI-COIL	
Item	Part Number	FRU	Name	Quantity	Description (Remarks)
1	46-244813G67	N	ASSEMBLY	1	LX 1.0T SIGNA HORIZON SHIP COLLECTOR (SEE PAGE 1-97)
2	46-265300G2	N	TABLE ASM	1	LCC PATIENT TRANSPORT – NEW COLORS (SEE SECTION 3)
3	46-271000G212	N	MR SYSTEM	1	LX2 SGD LCC 1.0T HI-SPEED WITH PA (SEE PAGE 1-166)
10	2210340	1	MEDIA	1	LX SR77/120 OPTION S/W
13	46-271363G7	2	CABLE ASM	1	(042T) MR3CABI/FJ7 TO PD1-A2
14	2141978-5	1	WKSP I/F MOD	1	LIGHTNING WORKSPACE INTERFACE MODULE (SEE SEC. 13)
16	2138599-2	1	LCD MONITOR	1	LCD DISPLAY (800 X 600); COMES (SEE SECTION 13)
17	2154392-2	2	COLLECTOR	1	OPERATOR WORKSTATION CABLES/MRLX2 (SEE SEC. 13)
19	2166395	N	MOUSE PAD	1	MOUSE PAD FOR SIGNA HORIZON LX
20	46-307830G1	N	POWER MODULE	1	POWER DISTRIBUTION BOX (SEE SECTION 13)
21	2160157	N	CABLE COVER	1	LIGHTNING CABLE COVER KIT (SEE SECTION 13)
22	2204796	N	ASSEMBLY	1	CENTRAL DATA SERIAL EXPANSION & MTG (SEE SECTION 13)
60	46-301708G14	N	8.0LX INSITE	1	8.0 LX INSITE KIT WITHOUT MODEM (SEE PAGE 1-179)

CATALOG		M1800ZA FRU N		LX SGD 1.0T WideOpen BASE w/o MULTI-COIL	
Item	Part Number	FRU	Name	Quantity	Description (Remarks)
1	46-244813G67	N	ASSEMBLY	1	LX 1.0T SIGNA HORIZON SHIP COLLECTOR (SEE PAGE 1-97)
2	46-265300G2	N	TABLE ASM	1	LCC PATIENT TRANSPORT – NEW COLORS (SEE SECTION 3)
3	46-271000G213	N	MR SYSTEM	1	LX2 SGD 1.0T ENCORE W/O PA (SEE PAGE 1-166)
14	2141978-5	1	WKSP I/F MOD	1	LIGHTNING WORKSPACE INTERFACE MODULE (SEE SEC. 13)
16	2138599-2	1	LCD MONITOR	1	LCD DISPLAY (800 X 600); COMES (SEE SECTION 13)
17	2154392-2	2	COLLECTOR	1	OPERATOR WORKSTATION CABLES/MRLX2 (SEE SEC. 13)
19	2166395	N	MOUSE PAD	1	MOUSE PAD FOR SIGNA HORIZON LX
20	46-307830G1	N	POWER MODULE	1	POWER DISTRIBUTION BOX (SEE SECTION 13)
21	2160157	N	CABLE COVER	1	LIGHTNING CABLE COVER KIT (SEE SECTION 13)
22	2204796	N	ASSEMBLY	1	CENTRAL DATA SERIAL EXPANSION & MTG (SEE SECTION 13)
60	46-301708G14	N	8.0LX INSITE	1	8.0 LX INSITE KIT WITHOUT MODEM (SEE PAGE 1-179)

CATALOG		M1800ZB FRU N		LX SGD 1.0T WideOpen BASE with MULTI-COIL	
Item	Part Number	FRU	Name	Quantity	Description (Remarks)
1	46-244813G67	N	ASSEMBLY	1	LX 1.0T SIGNA HORIZON SHIP COLLECTOR (SEE PAGE 1-97)
2	46-265300G2	N	TABLE ASM	1	LCC PATIENT TRANSPORT – NEW COLORS (SEE SECTION 3)
3	46-271000G214	N	MR SYSTEM	1	LX2 SGD LCC 1.0T W/PHASED ARRAY (SEE PAGE 1-166)
14	2141978-5	1	WKSP I/F MOD	1	LIGHTNING WORKSPACE INTERFACE MODULE (SEE SEC. 13)
16	2138599-2	1	LCD MONITOR	1	LCD DISPLAY (800 X 600); COMES (SEE SECTION 13)
17	2154392-2	2	COLLECTOR	1	OPERATOR WORKSTATION CABLES/MRLX2 (SEE SEC. 13)
19	2166395	N	MOUSE PAD	1	MOUSE PAD FOR SIGNA HORIZON LX
20	46-307830G1	N	POWER MODULE	1	POWER DISTRIBUTION BOX (SEE SECTION 13)
21	2160157	N	CABLE COVER	1	LIGHTNING CABLE COVER KIT (SEE SECTION 13)
22	2204796	N	ASSEMBLY	1	CENTRAL DATA SERIAL EXPANSION & MTG (SEE SECTION 13)
60	46-301708G14	N	8.0LX INSITE	1	8.0 LX INSITE KIT WITHOUT MODEM (SEE PAGE 1-179)

CATALOG M1800ZC FRU N LX SGD 1.0T WideOpen HiSpeed w/o MULTI-COIL

Item	Part Number	FRU	Name	Quantity	Description (Remarks)
1	46-244813G67	N	ASSEMBLY	1	LX 1.0T SIGNA HORIZON SHIP COLLECTOR (SEE PAGE 1-97)
2	46-265300G2	N	TABLE ASM	1	LCC PATIENT TRANSPORT - NEW COLORS (SEE SECTION 3)
3	46-271000G215	N	MR SYSTEM	1	LX2 SGD 1.0T HiSpeed W/O PA (SEE PAGE 1-166)
13	46-271363G7	2	CABLE ASM	1	(042T) MR3CABI/FJ7 TO PD1-A2
14	2141978-5	1	WKSP I/F MOD	1	LIGHTNING WORKSPACE INTERFACE MODULE (SEE SEC. 13)
16	2138599-2	1	LCD MONITOR	1	LCD DISPLAY (800 X 600); COMES (SEE SECTION 13)
17	2154392-2	2	COLLECTOR	1	OPERATOR WORKSTATION CABLES/MRLX2 (SEE SEC. 13)
19	2166395	N	MOUSE PAD	1	MOUSE PAD FOR SIGNA HORIZON LX
20	46-307830G1	N	POWER MODULE	1	POWER DISTRIBUTION BOX (SEE SECTION 13)
21	2160157	N	CABLE COVER	1	LIGHTNING CABLE COVER KIT (SEE SECTION 13)
22	2204796	N	ASSEMBLY	1	CENTRAL DATA SERIAL EXPANSION & MTG (SEE SECTION 13)
60	46-301708G14	N	8.0LX INSITE	1	8.0 LX INSITE KIT WITHOUT MODEM

CATALOG M1800ZD FRU N LX SGD 1.0T WideOpen HiSpeed with MULTI-COIL

Item	Part Number	FRU	Name	Quantity	Description (Remarks)
1	46-244813G67	N	ASSEMBLY	1	LX 1.0T SIGNA HORIZON SHIP COLLECTOR (SEE PAGE 1-97)
2	46-265300G2	N	TABLE ASM	1	LCC PATIENT TRANSPORT - NEW COLORS (SEE SECTION 3)
3	46-271000G216	N	MR SYSTEM	1	LX2 SGD 1.0T HiSpeed W/PHASED ARRAY (SEE PAGE 1-166)
13	46-271363G7	2	CABLE ASM	1	(042T) MR3CABI/FJ7 TO PD1-A2
14	2141978-5	1	WKSP I/F MOD	1	LIGHTNING WORKSPACE INTERFACE MODULE (SEE SEC. 13)
16	2138599-2	1	LCD MONITOR	1	LCD DISPLAY (800 X 600); COMES (SEE SECTION 13)
17	2154392-2	2	COLLECTOR	1	OPERATOR WORKSTATION CABLES/MRLX2 (SEE SEC. 13)
19	2166395	N	MOUSE PAD	1	MOUSE PAD FOR SIGNA HORIZON LX
20	46-307830G1	N	POWER MODULE	1	POWER DISTRIBUTION BOX (SEE SECTION 13)
21	2160157	N	CABLE COVER	1	LIGHTNING CABLE COVER KIT (SEE SECTION 13)
22	2204796	N	ASSEMBLY	1	CENTRAL DATA SERIAL EXPANSION & MTG (SEE SECTION 13)
60	46-301708G14	N	8.0LX INSITE	1	8.0 LX INSITE KIT WITHOUT MODEM (SEE PAGE 1-179)

CATALOG M1842PS FRU N LX SGD 1.5T WideOpen FIXED w/o MULTI-COIL

Item	Part Number	FRU	Name	Quantity	Description (Remarks)
1	46-282429G80	N	INSTALLATION	1	WideOpen 1.0T SGD FIXED CABLES (SEE PAGE 1-189)
2	46-301383G12	N	PP1 ASSEMBLY	1	UFI PENETRATION PANEL, NO MULTICOIL (SEE SECTION 4)
3	2202900	N	ASSEMBLY	1	1.0T FIX WideOpen W/O PA (SEE SECTION 2)
4	2133388-6	N	PHANTOM KIT	1	Cx SPT PHANTOM CART KIT (SEE PAGE 1-102)

CATALOG M1843PS FRU N LX SGD 1.0T WideOpen FIXED with MULTI-COIL

Item	Part Number	FRU	Name	Quantity	Description (Remarks)
1	46-282429G80	N	INSTALLATION	1	WideOpen 1.0T SGD FIXED CABLES (SEE PAGE 1-189)
2	46-301383G13	N	PEN PANEL	1	UFI PENETRATION PANEL, W/ MULTI-COIL (SEE SECTION 4)
3	2202900-2	N	ASSEMBLY	1	1.0 FIX WideOpen W/PA (SEE SECTION 2)
4	2133388-6	N	PHANTOM KIT	1	Cx SPT PHANTOM CART KIT (SEE PAGE 1-102)

CATALOG M1843PT FRU N LX SGD 1.0T WideOpen FIXED w/MC & LONGER CABLES

Item	Part Number	FRU	Name	Quantity	Description (Remarks)
1	46-282429G51	N	INSTALLATION	1	1.0T SGD WIDE OPEN FXD LONG CABLES (SEE PAGE 1-184)
2	46-301383G13	N	PEN PANEL	1	UFI PENETRATION PANEL, W/ MULTI-COIL (SEE SECTION 4)
3	2202900-6	N	ASSEMBLY	1	1.5T FIX LCC WIDE OPEN ENCL W/PA (SEE SECTION 2)
4	2133388-6	N	PHANTOM KIT	1	CONQUEST SPT PHANTOM CART KIT (SEE PAGE 1-102)

CATALOG M1852PS FRU N LX SGD 1.0T WideOpen MOBILE w/o MULTI-COIL

Item	Part Number	FRU	Name	Quantity	Description (Remarks)
1	46-282429G81	N	INSTALLATION	1	WideOpen 1.0 T SGD MOBILE CABLES (SEE PAGE 1-189)
2	46-301383G12	N	PP1 ASSEMBLY	1	UFI PENETRATION PANEL, NO MULTICOIL (SEE SECTION 4)
3	2202900-3	N	ASSEMBLY	1	1.0T MOB WideOpen W/O PA (SEE SECTION 2)
4	2133388-7	N	PHANTOM KIT	1	CX SPT PHANTOM CART KIT MINUS CART (SEE PAGE 1-103)
5	2214269	2	KIT OF PARTS	1	MOBILE MR OW MOUNTING KIT (SEE PAGE 1-173)

CATALOG M1853PS FRU N LX SGD 1.0T WideOpen MOBILE with MULTI-COIL

Item	Part Number	FRU	Name	Quantity	Description (Remarks)
1	46-282429G81	N	INSTALLATION	1	WideOpen 1.0 T SGD MOBILE CABLES (SEE PAGE 1-189)
2	46-301383G13	N	PEN PANEL	1	UFI PENETRATION PANEL, W/ MULTI-COIL (SEE SECTION 4)
3	2202900-4	N	ASSEMBLY	1	1.0T MOB WideOpen W/PA (SEE SECTION 2)
4	2133388-7	N	PHANTOM KIT	1	CX SPT PHANTOM CART KIT MINUS CART (SEE PAGE 1-103)
5	2214269	2	KIT OF PARTS	1	MOBILE MR OW MOUNTING KIT (SEE PAGE 1-173)

CATALOG M1862PS FRU N LX SGD 1.0T WideOpen T/R w/o MULTI-COIL

Item	Part Number	FRU	Name	Quantity	Description (Remarks)
1	46-282429G82	N	INSTALLATION	1	LX SGD 1.0T T/R SITE WideOpen CABLES (SEE PAGE 1-189)
2	46-301383G12	N	PP1 ASSEMBLY	1	UFI PENETRATION PANEL, NO MULTICOIL (SEE SECTION 4)
3	2202900	N	ASSEMBLY	1	1.0T FIX WideOpen W/O PA (SEE SECTION 2)
4	2133388-6	N	PHANTOM KIT	1	Cx SPT PHANTOM CART KIT (SEE PAGE 1-102)
5	2214269	2	KIT OF PARTS	1	MOBILE MR OW MOUNTING KIT (SEE PAGE 1-173)

CATALOG M1863PS FRU N LX SGD 1.0T WideOpen T/R with MULTI-COIL

Item	Part Number	FRU	Name	Quantity	Description (Remarks)
1	46-282429G82	N	INSTALLATION	1	LX SGD 1.0T T/R SITE WideOpen CABLES (SEE PAGE 1-189)
2	46-301383G13	N	PEN PANEL	1	UFI PENETRATION PANEL, W/ MULTI-COIL (SEE SECTION 4)
3	2202900-2	N	ASSEMBLY	1	1.0 FIX WideOpen W/PA (SEE SECTION 2)
4	2133388-6	N	PHANTOM KIT	1	Cx SPT PHANTOM CART KIT (SEE PAGE 1-102)
5	2214269	2	KIT OF PARTS	1	MOBILE MR OW MOUNTING KIT (SEE PAGE 1-173)

1-8 WideOpen ACGD SYSTEM CATALOGS

CATALOG M3000AB FRU N LX 1.5T ACGD SmartSpeed with MULTICOIL

Item	Part Number	FRU	Name	Quantity	Description (Remarks)
1	2299215	N	FAN ASM	1	ACGD CABINET FAN ASSEMBLY (SEE PAGE 15-8)
2A	46-265300G2	N	TABLE ASM	1	LCC PATIENT TRANSPORT – NEW COLORS (SEE SECTION 3)
2B	46-265300G3	N	TABLE ASM	1	PATIENT TRANSPORT – INFINITY COLORS (SEE SECTION 3)
14	2134337	N	KIT OF PARTS	1	PHANTOM KIT (SEE PAGE 1-100)
16	2321156	N	COLLECTOR	1	OW TABLE/DESKTOP KIT COLLECTOR (SEE PAGE 13-19)
17	2321157	N	COLLECTOR	1	PADS/ACC'Y KIT (1.5T) COLLECTOR (SEE PAGE 1-98)
18A	2366960	N	COLLECTOR	1	1.5T SPLIT HEAD COIL/PHANTOM COLCTR (SEE PAGE 1-113)
18B	2321161	N	COLLECTOR	1	HEAD COIL KIT (1.5T) COLLECTOR (SEE PAGE 1-112)
20	2138300-20	N	PERF SYS CAB	1	1.5T SR20/77 SYSTEM CABINET W/PA (SEE SECTION 8)
21	2207030-22	N	COLLECTOR	1	INFINITY 9.1 COMPUTER COLLECTOR (SEE SECTION 13)
22	2355993	N	COLLECTOR	1	1.5T RF CABINETS (SEE PAGE 1-90)
23	2355992	N	COLLECTOR	1	ACGD/PDU CABINETS (SEE PAGE 1-90)

CATALOG M3000AC FRU N LX 1.5T ACGD HiSpeed with MULTICOIL

Item	Part Number	FRU	Name	Quantity	Description (Remarks)
1	2299215	N	FAN ASM	1	ACGD CABINET FAN ASSEMBLY (SEE PAGE 15-8)
2A	46-265300G2	N	TABLE ASM	1	LCC PATIENT TRANSPORT – NEW COLORS (SEE SECTION 3)
2B	46-265300G3	N	TABLE ASM	1	PATIENT TRANSPORT – INFINITY COLORS (SEE SECTION 3)
4	2285279	N	MOD KEY	1	SR77 MOD OPTION KEY
14	2134337	N	KIT OF PARTS	1	PHANTOM KIT (SEE PAGE 1-100)
16	2321156	N	COLLECTOR	1	OW TABLE/DESKTOP KIT COLLECTOR (SEE PAGE 13-19)
17	2321157	N	COLLECTOR	1	PADS/ACC'Y KIT (1.5T) COLLECTOR (SEE PAGE 1-98)
18A	2366960	N	COLLECTOR	1	1.5T SPLIT HEAD COIL/PHANTOM COLCTR (SEE PAGE 1-113)
18B	2321161	N	COLLECTOR	1	HEAD COIL KIT (1.5T) COLLECTOR (SEE PAGE 1-112)
21	2138300-20	N	PERF SYS CAB	1	1.5T SR20/77 SYSTEM CABINET W/PA (SEE SECTION 8)
22	2207030-22	N	COLLECTOR	1	INFINITY 9.1 COMPUTER COLLECTOR (SEE SECTION 13)
23	2355993	N	COLLECTOR	1	1.5T RF CABINETS (SEE PAGE 1-90)
24	2355992	N	COLLECTOR	1	ACGD/PDU CABINETS (SEE PAGE 1-90)

CATALOG M3000AD FRU N LX 1.5T ACGD EchoSpeed with MULTICOIL

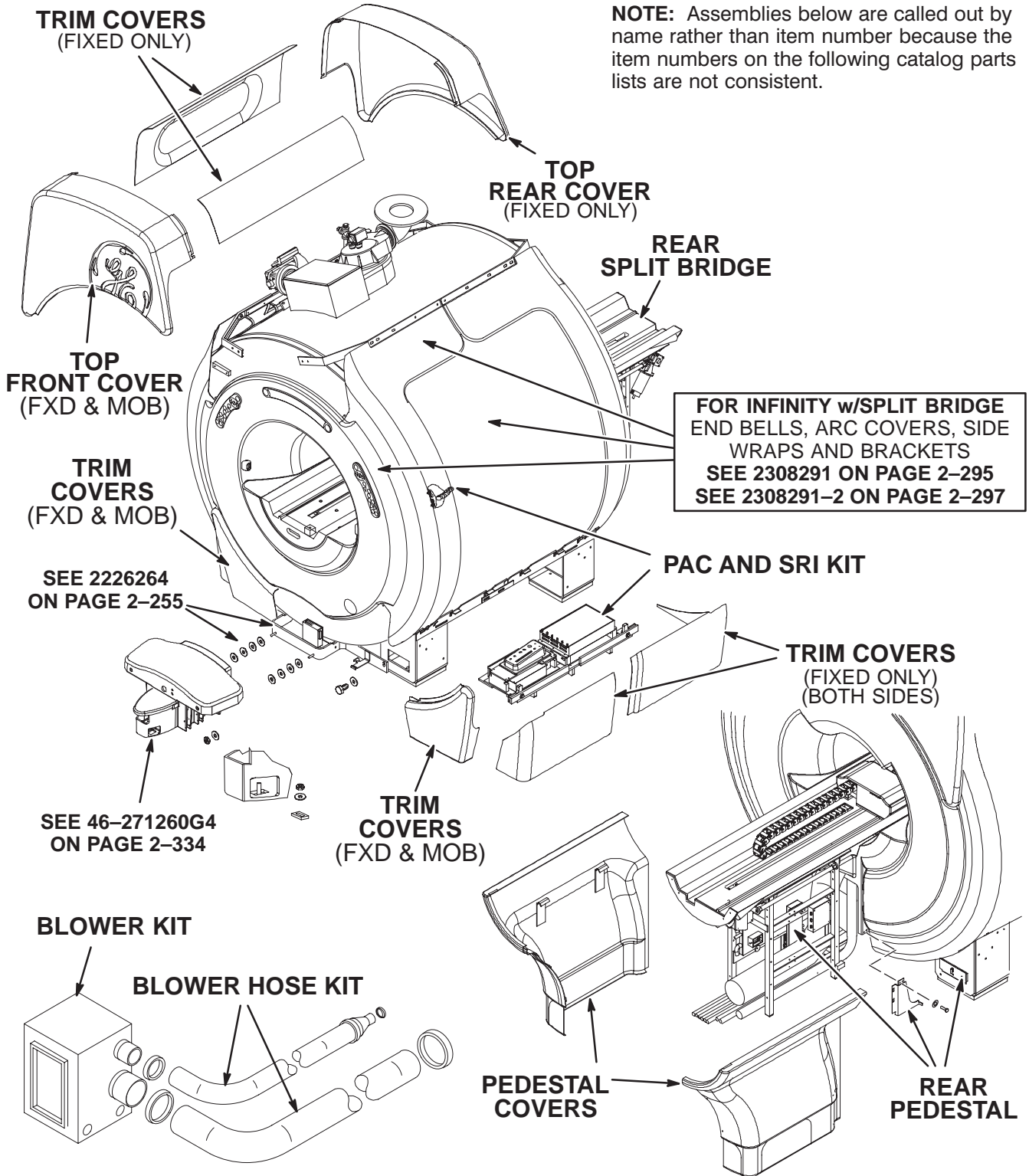
Item	Part Number	FRU	Name	Quantity	Description (Remarks)
1	2299215	N	FAN ASM	1	ACGD CABINET FAN ASSEMBLY (SEE PAGE 15-8)
2A	46-265300G2	N	TABLE ASM	1	LCC PATIENT TRANSPORT – NEW COLORS (SEE SECTION 3)
2B	46-265300G3	N	TABLE ASM	1	PATIENT TRANSPORT – INFINITY COLORS (SEE SECTION 3)
14	2134337	N	KIT OF PARTS	1	PHANTOM KIT (SEE PAGE 1-100)
16	2321156	N	COLLECTOR	1	OW TABLE/DESKTOP KIT COLLECTOR (SEE PAGE 13-19)
17	2321157	N	COLLECTOR	1	PADS/ACC'Y KIT (1.5T) COLLECTOR (SEE PAGE 1-98)
18A	2366960	N	COLLECTOR	1	1.5T SPLIT HEAD COIL/PHANTOM COLCTR (SEE PAGE 1-113)
18B	2321161	N	COLLECTOR	1	HEAD COIL KIT (1.5T) COLLECTOR (SEE PAGE 1-112)
70	2210001	N	MOD KEY	1	ECHOSPEED OPTION KEY COLLECTOR
72	2138300-19	N	PERF SYS CAB	1	1.5T SYSTEM CABINET W/PA (SEE SECTION 8)
73	2207030-22	N	COLLECTOR	1	INFINITY 9.1 COMPUTER COLLECTOR (SEE SECTION 13)
74	2355993	N	COLLECTOR	1	1.5T RF CABINETS (SEE PAGE 1-90)
75	2355992	N	COLLECTOR	1	ACGD/PDU CABINETS (SEE PAGE 1-90)

CATALOG M3000AE FRU N LX 1.5T ACGD CV2/NV1 CRM EchoSpeed w/MC

Item	Part Number	FRU	Name	Quantity	Description (Remarks)
1	2299215	N	FAN ASM	1	ACGD CABINET FAN ASSEMBLY (SEE PAGE 15-8)
2A	46-265300G2	N	TABLE ASM	1	LCC PATIENT TRANSPORT - NEW COLORS (SEE SECTION 3)
2B	46-265300G3	N	TABLE ASM	1	PATIENT TRANSPORT - INFINITY COLORS (SEE SECTION 3)
14	2134337	N	KIT OF PARTS	1	PHANTOM KIT (SEE PAGE 1-100)
16	2321156	N	COLLECTOR	1	OW TABLE/DESKTOP KIT COLLECTOR (SEE PAGE 13-19)
17	2321157	N	COLLECTOR	1	PADS/ACC'Y KIT (1.5T) COLLECTOR (SEE PAGE 1-98)
18	2321161-2	N	COLLECTOR	1	HEAD COIL KIT (CV) COLLECTOR (SEE PAGE 1-112)
20	2138300-19	N	PERF SYS CAB	1	1.5T SR20/77 SYSTEM CABINET W/PA (SEE SECTION 8)
21	2355993	N	COLLECTOR	1	1.5T RF CABINETS (SEE PAGE 1-90)
22	2207030-22	N	COLLECTOR	1	INFINITY 9.1 COMPUTER COLLECTOR (SEE SECTION 13)
23	2355992	N	COLLECTOR	1	ACGD/PDU CABINETS (SEE PAGE 1-90)

WideOpen 1.5T & 1.0T MAGNET ENCLOSURE for LX ACGD – FIXED, T/R, & MOBILE

NOTE: Assemblies below are called out by name rather than item number because the item numbers on the following catalog parts lists are not consistent.



CATALOG M3043PA FRU N 1.5T ACGD FIXED with MULTICOIL

Item	Part Number	FRU	Name	Quantity	Description (Remarks)
2	46-301383G19	N	PEN PANEL	1	PEN PANEL W/MULTICOIL GEMSPRO G13 (SEE SECTION 4)
4	2133388-6	N	PHANTOM KIT	1	CONQUEST SPT PHANTOM CART KIT (SEE PAGE 1-102)
5	2105371	N	RF CABLE SET	ALT	RF CABINET FLEXIBLE EXTENSION CBLES (SEE PAGE 1-229)
6	2120963-4	N	GRAD CBL KIT	1	100 FT CABLES, RUNS 762, 763, 764 (SEE PAGE 1-235)
7	46-258771G35	N	ASSEMBLY	1	LX FIXED SITE WITH OR W/O MULTICOIL (SEE PAGE 1-201)
8	46-258790G33	N	PDU CABLES	1	LX ACGD PDU CABLES - FIXED (SEE PAGE 1-222)
9	46-317249G25	N	CABLES F.O.	1	LX SGD FIXED SITE FIBEROPTIC SYS CBL (SEE PAGE 1-239)
10A	2300798	N	KIT OF PARTS	1	1.5 T HEAD/BODY COIL CABLE KIT-80 FT (SEE PAGE 1-227)
10B	46-317598G23	N	XMIT COLL	ALT	1.5T FIXED SITE HELIAX & CONNECTORS (SEE PAGE 1-230)
11	46-317126G3	N	COVER KIT	1	UFI PENETRATION PANEL COVER KIT (SEE SECTION 4)
50	2282801	N	BRIDGE ASM	1	REAR SPLIT BRIDGE ASM W/PA 1.5T (SEE PAGE 2-304)
51	2121199-12	N	BLOWER (MG6)	1	BLOWER CAB W/FXD MNTG BRACKETS (SEE PAGE 2-100)
52	2128542	N	HOSE KIT	1	2 RUBBER HOSE WITH 8 CLAMPS IN A BOX (SEE PAGE 1-217)
53	2129412-6	N	HOSE KIT	1	BLOWER HOSE KIT (SEE PAGE 2-103)
54	2222541-9	N	COLLECTER CO	1	WideOpen ENCL PEDESTAL COVERS (SEE PAGE 2-252)
55	2222541-10	N	COLLECTER CO	1	WideOpen TOP FRONT & REAR COVERS (SEE PAGE 2-254)
56	2297542	N	TRIM COVERS	1	INFINITY TRIM COVERS W/CLIPS (SEE PAGE 2-253)
57	2321159	N	COLLECTOR	1	PAC AND SRI KIT (SEE PAGE 2-313)
58	2321160	N	COLLECTOR	1	REAR PED 1.5T FIXED COLLECTOR (SEE PAGE 2-250)

CATALOG M3044PA FRU N 1.5T ACGD FIXED with MULTICOIL & LONG CABLES

Item	Part Number	FRU	Name	Quantity	Description (Remarks)
2	46-301383G19	N	PEN PANEL	1	PEN PANEL W/MULTICOIL GEMSPRO G13 (SEE SECTION 4)
4	2133388-6	N	PHANTOM KIT	1	CONQUEST SPT PHANTOM CART KIT (SEE PAGE 1-102)
5	46-317598G23	N	XMIT COLL	1	1.5T FIXED SITE HELIAX & CONNECTORS (SEE PAGE 1-230)
6	2105371	N	RF CABLE SET	1	RF CABINET FLEXIBLE EXTENSION CBLES (SEE PAGE 1-229)
7	2120963-4	N	GRAD CBL KIT	1	100 FT CABLES, RUNS 762, 763, 764 (SEE PAGE 1-235)
8	46-255947G608	N	GROUND WIRE	1	(038) MR1-A7-GND TO PD1-A2-A2 36 FT
9	46-258790G501	N	PDU CABLES	1	SOI PDU CABLES - ASP (SEE PAGE 1-226)
10	46-271364G504	N	CABLE ASM	1	(009M) MR1-J1 TO PD1-A2 35 FT
11	46-317249G250	N	CABLES F.O.	1	SOI FIBER OPTIC SYSTEM CABLES (SEE PAGE 1-241)
12	46-258771G350	N	SYSTEM CABLE	1	SOI FIXED SITE WITH OR W/O MULTICOIL (SEE PAGE 1-215)
13	46-258771G351	N	SYSTEM CABLE	1	SOI FIXED SITE WITH OR W/O MULTICOIL (SEE PAGE 1-216)
14	46-317126G3	N	COVER KIT	1	UFI PENETRATION PANEL COVER KIT (SEE SECTION 4)
50	2282801	N	BRIDGE ASM	1	REAR SPLIT BRIDGE ASM W/PA 1.5T (SEE PAGE 2-304)
51	2121199-12	N	BLOWER (MG6)	1	BLOWER CAB W/FXD MNTG BRACKETS (SEE PAGE 2-100)
52	2128542	N	HOSE KIT	1	2 RUBBER HOSE WITH 8 CLAMPS IN A BOX (SEE PAGE 1-217)
53	2129412-6	N	HOSE KIT	1	BLOWER HOSE KIT (SEE PAGE 2-103)
54	2222541-10	N	COLLECTER CO	1	WideOpen TOP FRONT & REAR COVERS (SEE PAGE 2-254)
55	2222541-9	N	COLLECTER CO	1	WideOpen ENCL PEDESTAL COVERS (SEE PAGE 2-252)
56	2297542	N	TRIM COVERS	1	INFINITY TRIM COVERS W/CLIPS (SEE PAGE 2-253)
57	2321159	N	COLLECTOR	1	PAC AND SRI KIT (SEE PAGE 2-313)
58	2321160	N	COLLECTOR	1	REAR PED 1.5T FIXED COLLECTOR (SEE PAGE 2-250)

CATALOG M3053PA FRU N 1.5T ACGD MOBILE with MULTICOIL

Item	Part Number	FRU	Name	Quantity	Description (Remarks)
2	46-301383G19	N	PEN PANEL	1	PEN PANEL W/MULTICOIL GEMSPRO G13 (SEE SECTION 4)
4	2133388-7	N	PHANTOM KIT	1	CX SPT PHANTOM CART KIT MINUS CART (SEE PAGE 1-103)
5	2322678	N	COLLECTOR	1	MFG MOBILE MISC ITEMS COLLECTOR (SEE PAGE 1-91)
10	2120963-5	N	GRAD CBL KIT	1	GRADIENT CABLE KIT FOR MOBILES (SEE PAGE 1-235)
11	46-258771G39	N	ASSEMBLY	1	LX MOBILE WITH OR W/O MULTICOIL (SEE PAGE 1-204)
12	46-258790G34	N	PDU CABLES	1	LX ACGD PDU CABLES-MOBILE (SEE PAGE 1-222)
13	46-317249G27	N	CABLES F.O.	1	LX SGD TRUE MOB FIBER OPTIC SYS CBL (SEE PAGE 1-240)
14A	2300798	N	KIT OF PARTS	1	1.5 T HEAD/BODY COIL CABLE KIT-80 FT (SEE PAGE 1-227)
14B	46-317598G24	N	XMIT COLL	ALT	TRUE MOBILE RF CABLES & ADAPTERS (SEE PAGE 1-230)
15	46-317126G4	N	COVER KIT	1	MOBILE-SITE PENETRATION PANEL COVER (SEE SECTION 4)
50	2282801	N	BRIDGE ASM	1	REAR SPLIT BRIDGE ASM W/PA 1.5T (SEE PAGE 2-304)
51	2121199-12	N	BLOWER (MG6)	1	BLOWER CAB W/FXD MNTG BRACKETS (SEE PAGE 2-100)
52	2128542	N	HOSE KIT	1	2 RUBBER HOSE WITH 8 CLAMPS IN A BOX (SEE PAGE 1-217)
53	2129412-6	N	HOSE KIT	1	BLOWER HOSE KIT (SEE PAGE 2-103)
54	2217457	N	TOP FRONT CO	1	WideOpen TOP FRONT COVER
55	2222541-9	N	COLLECTER CO	1	WideOpen ENCL PEDESTAL COVERS (SEE PAGE 2-252)
56	2224384	N	ASSEMBLY	1	LCC CEILING TRACK (MOBILE)
57	2297542-2	N	TRIM COVERS	1	INFINITY TRIM COVERS W/CLIPS (SEE PAGE 2-253)
58	2321159	N	COLLECTOR	1	PAC AND SRI KIT (SEE PAGE 2-313)
59	2321160-2	N	COLLECTOR	1	REAR PEDESTAL 1.5T MOBILE COLLECTOR (SEE PAGE 2-250)

CATALOG M3063PA FRU N 1.5T ACGD T/R with MULTICOIL

Item	Part Number	FRU	Name	Quantity	Description (Remarks)
2	46-301383G19	N	PEN PANEL	1	PEN PANEL W/MULTICOIL GEMSPRO G13 (SEE SECTION 4)
4	2133388-6	N	PHANTOM KIT	1	CONQUEST SPT PHANTOM CART KIT (SEE PAGE 1-102)
5	2322678-2	N	COLLECTOR	1	MFG T/R MISC ITEMS COLLECTOR (SEE PAGE 1-91)
6A	2300798	N	KIT OF PARTS	1	1.5 T HEAD/BODY COIL CABLE KIT-80 FT (SEE PAGE 1-227)
6B	46-317598G20	N	XMIT COLL	ALT	1.5T FIXED SITE HELIAX & CONNECTORS (SEE PAGE 1-230)
7	2120963-4	N	GRAD CBL KIT	1	100 FT CABLES, RUNS 762, 763, 764 (SEE PAGE 1-235)
8	46-258771G36	N	ASSEMBLY	1	LX 1.5T T/R WITH OR W/O MULTICOIL (SEE PAGE 1-202)
9	46-258790G35	N	PDU CABLES	1	LX ACGD PDU CABLES-T/R (SEE PAGE 1-222)
10	46-317249G26	N	CABLES F.O.	1	LX SGD T/R FIBER OPTIC SYSTEM CABLES (SEE PAGE 1-239)
11	46-317126G4	N	COVER KIT	1	MOBILE-SITE PENETRATION PANEL COVER (SEE SECTION 4)
50	2282801	N	BRIDGE ASM	1	REAR SPLIT BRIDGE ASM W/PA 1.5T (SEE PAGE 2-304)
51	2121199-12	N	BLOWER (MG6)	1	BLOWER CAB W/FXD MNTG BRACKETS (SEE PAGE 2-100)
52	2128542	N	HOSE KIT	1	2 RUBBER HOSE WITH 8 CLAMPS IN A BOX (SEE PAGE 1-217)
53	2129412-6	N	HOSE KIT	1	BLOWER HOSE KIT (SEE PAGE 2-103)
54	2222541-10	N	COLLECTER CO	1	WideOpen ENCLOSURE COVERS (SEE PAGE 2-254)
55	2222541-9	N	COLLECTER CO	1	WideOpen ENCL PEDESTAL COVERS (SEE PAGE 2-252)
56	2297542	N	TRIM COVERS	1	INFINITY TRIM COVERS W/CLIPS (SEE PAGE 2-253)
57	2321159	N	COLLECTOR	1	PAC AND SRI KIT (SEE PAGE 2-313)
58	2321160	N	COLLECTOR	1	REAR PEDESTAL 1.5T FIXED COLLECTOR (SEE PAGE 2-250)

CATALOG M3073PA FRU N CRM 1.5T ACGD FIXED with MULTICOIL

Item	Part Number	FRU	Name	Quantity	Description (Remarks)
2	46-301383G19	N	PEN PANEL	1	PEN PANEL W/MULTICOIL GEMSPRO G13 (SEE SECTION 4)
4	2133388-6	N	PHANTOM KIT	1	CONQUEST SPT PHANTOM CART KIT (SEE PAGE 1-102)
5	46-317598G23	N	XMIT COLL	1	1.5T FIXED SITE HELIAX & CONNECTORS (SEE PAGE 1-230)
6	2105371	N	RF CABLE SET	1	RF CABINET FLEXIBLE EXTENSION CBLES (SEE PAGE 1-229)
7	2120963-4	N	GRAD CBL KIT	1	100 FT CABLES, RUNS 762, 763, 764 (SEE PAGE 1-235)
8	46-258771G35	N	ASSEMBLY	1	LX FIXED SITE WITH OR W/O MULTICOIL (SEE PAGE 1-201)
9	46-258790G33	N	PDU CABLES	1	LX ACGD PDU CABLES - FIXED (SEE PAGE 1-222)
10	46-317249G25	N	CABLES F.O.	1	LX SGD FIXED SITE FIBEROPTIC SYS CBL (SEE PAGE 1-239)
11	46-317126G3	N	COVER KIT	1	UFI PENETRATION PANEL COVER KIT (SEE SECTION 4)
50	2205099-8	N	ASSEMBLY	1	CRM BRIDGE WideOpen W/LPCC_1.5 T (SEE PAGE 2-279)
51	2121199-12	N	BLOWER (MG6)	1	BLOWER CAB W/FXD MNTG BRACKETS (SEE PAGE 2-100)
52	2128542	N	HOSE KIT	1	2 RUBBER HOSE WITH 8 CLAMPS IN A BOX (SEE PAGE 1-217)
53	2129412-6	N	HOSE KIT	1	BLOWER HOSE KIT (SEE PAGE 2-103)
54	2222541-10	N	COLLECTER CO	1	WideOpen TOP FRONT & REAR COVERS (SEE PAGE 2-254)
55	2222541-9	N	COLLECTER CO	1	WideOpen ENCL PEDESTAL COVERS (SEE PAGE 2-252)
56	2297542	N	TRIM COVERS	1	INFINITY TRIM COVERS W/CLIPS (SEE PAGE 2-253)
57	2321159	N	COLLECTOR	1	PAC AND SRI KIT (SEE PAGE 2-313)
58	2321160-3	N	COLLECTOR	1	REAR PED CRM FIXED COLLECTOR (SEE PAGE 2-250)

CATALOG M3083PA FRU N CRM 1.5T ACGD MOBILE with MULTICOIL

Item	Part Number	FRU	Name	Quantity	Description (Remarks)
2	46-301383G19	N	PEN PANEL	1	PEN PANEL W/MULTICOIL GEMSPRO G13 (SEE SECTION 4)
4	2133388-7	N	PHANTOM KIT	1	CX SPT PHANTOM CART KIT MINUS CART (SEE PAGE 1-103)
5	2322678-3	N	COLLECTOR	1	MFG CRM MOBILE MISC ITEMS COLLECTOR (SEE PAGE 1-91)
6	46-317598G24	N	XMIT COLL	1	TRUE MOBILE RF CABLES & ADAPTERS (SEE PAGE 1-230)
7	2120963-5	N	GRAD CBL KIT	1	GRADIENT CABLE KIT FOR MOBILES (SEE PAGE 1-235)
8	46-258771G39	N	ASSEMBLY	1	LX MOBILE WITH OR W/O MULTICOIL (SEE PAGE 1-204)
9	46-258790G34	N	PDU CABLES	1	LX ACGD PDU CABLES-MOBILE (SEE PAGE 1-222)
10	46-317249G27	N	CABLES F.O.	1	LX SGD TRUE MOB FIBER OPTIC SYS CBL (SEE PAGE 1-240)
11	46-317126G4	N	COVER KIT	1	MOBILE-SITE PENETRATION PANEL COVER (SEE SECTION 4)
50	2205099-8	N	ASSEMBLY	1	CRM BRIDGE WideOpen W/LPCC_1.5 T (SEE PAGE 2-279)
51	2121199-12	N	BLOWER (MG6)	1	BLOWER CAB W/FXD MNTG BRACKETS (SEE PAGE 2-100)
52	2128542	N	HOSE KIT	1	2 RUBBER HOSE WITH 8 CLAMPS IN A BOX (SEE PAGE 1-217)
53	2129412-6	N	HOSE KIT	1	BLOWER HOSE KIT (SEE PAGE 2-103)
54	2217457	N	TOP FRONT CO	1	WideOpen TOP FRONT COVER
55	2222541-9	N	COLLECTER CO	1	WideOpen ENCL PEDESTAL COVERS (SEE PAGE 2-252)
56	2224384	N	ASSEMBLY	1	LCC CEILING TRACK (MOBILE)
57	2297542-2	N	TRIM COVERS	1	INFINITY TRIM COVERS W/CLIPS (SEE PAGE 2-253)
58	2321159	N	COLLECTOR	1	PAC AND SRI KIT (SEE PAGE 2-313)
59	2321160-4	N	COLLECTOR	1	REAR PEDESTAL CRM MOB COLLECTOR (SEE PAGE 2-251)

CATALOG		M3093PA FRU N		CRM 1.5T ACGD T/R with MULTICOIL	
Item	Part Number	FRU	Name	Quantity	Description (Remarks)
2	46-301383G19	N	PEN PANEL	1	PEN PANEL W/MULTICOIL GEMSPRO G13 (SEE SECTION 4)
4	2133388-6	N	PHANTOM KIT	1	CONQUEST SPT PHANTOM CART KIT (SEE PAGE 1-102)
5	2322678-2	N	COLLECTOR	1	MFG T/R MISC ITEMS COLLECTOR (SEE PAGE 1-91)
6	46-317598G20	N	XMIT COLL	1	1.5T FIXED SITE HELIAX & CONNECTORS (SEE PAGE 1-230)
7	2120963-4	N	GRAD CBL KIT	1	100 FT CABLES, RUNS 762, 763, 764 (SEE PAGE 1-235)
8	46-258771G36	N	ASSEMBLY	1	LX 1.5T T/R WITH OR W/O MULTICOIL (SEE PAGE 1-202)
9	46-258790G35	N	PDU CABLES	1	LX ACGD PDU CABLES-T/R (SEE PAGE 1-222)
10	46-317249G26	N	CABLES F.O.	1	LX SGD T/R FIBER OPTIC SYSTEM CABLES (SEE PAGE 1-239)
11	46-317126G4	N	COVER KIT	1	MOBILE-SITE PENETRATION PANEL COVER (SEE SECTION 4)
50	2205099-8	N	ASSEMBLY	1	CRM BRIDGE WideOpen W/LPCC_1.5 T (SEE PAGE 2-279)
51	2121199-12	N	BLOWER (MG6)	1	BLOWER CAB W/FXD MNTG BRACKETS (SEE PAGE 2-100)
52	2128542	N	HOSE KIT	1	2 RUBBER HOSE WITH 8 CLAMPS IN A BOX (SEE PAGE 1-217)
53	2129412-6	N	HOSE KIT	1	BLOWER HOSE KIT (SEE PAGE 2-103)
54	2222541-10	N	COLLECTER CO	1	WideOpen TOP FRONT & REAR COVERS (SEE PAGE 2-254)
55	2222541-9	N	COLLECTER CO	1	WideOpen ENCL PEDESTAL COVERS (SEE PAGE 2-252)
56	2297542	N	TRIM COVERS	1	INFINITY TRIM COVERS W/CLIPS (SEE PAGE 2-253)
57	2321159	N	COLLECTOR	1	PAC AND SRI KIT (SEE PAGE 2-313)
58	2321160-3	N	COLLECTOR	1	REAR PEDESTAL CRM FIXED COLLECTOR (SEE PAGE 2-250)

CATALOG M3800AA FRU N 1.0T ACGD SmartSpeed without MULTICOIL

Item	Part Number	FRU	Name	Quantity	Description (Remarks)
1	2299215	N	FAN ASM	1	ACGD CABINET FAN ASSEMBLY (SEE PAGE 15-8)
2A	46-265300G2	N	TABLE ASM	1	LCC PATIENT TRANSPORT – NEW COLORS (SEE SECTION 3)
2B	46-265300G3	N	TABLE ASM	1	PATIENT TRANSPORT – INFINITY COLORS (SEE SECTION 3)
14	2134337	N	KIT OF PARTS	1	PHANTOM KIT (SEE PAGE 1-100)
16	2321156	N	COLLECTOR	1	OW TABLE/DESKTOP KIT COLLECTOR (SEE PAGE 13-19)
17	2321157-2	N	COLLECTOR	1	MFG PADS/ACC'Y KIT (1.0T) COLLECTOR (SEE PAGE 1-98)
18	2321161-3	N	COLLECTOR	1	MFG HEAD COIL KIT (1.0T) COLLECTOR (SEE PAGE 1-112)
19	2138300-22	N	PERF SYS CAB	1	1.0T SYTEM CABINET W/O PA (SEE SECTION 8)
20	2207030-22	N	COLLECTOR	1	ACGD 1.5T WITH PHASED ARRAY (SEE SECTION 13)
21	2355992	N	COLLECTOR	1	ACGD ALTERNATES (SEE PAGE 1-90)
22	2355994	N	COLLECTOR	1	1.0T RF CAB ALTERNATES (SEE PAGE 1-90)

CATALOG M3800AB FRU N 1.0T ACGD SmartSpeed with MULTICOIL

Item	Part Number	FRU	Name	Quantity	Description (Remarks)
1	2299215	N	FAN ASM	1	ACGD CABINET FAN ASSEMBLY (SEE PAGE 15-8)
2A	46-265300G2	N	TABLE ASM	1	LCC PATIENT TRANSPORT – NEW COLORS (SEE SECTION 3)
2B	46-265300G3	N	TABLE ASM	1	PATIENT TRANSPORT – INFINITY COLORS (SEE SECTION 3)
14	2134337	N	KIT OF PARTS	1	PHANTOM KIT (SEE PAGE 1-100)
16	2321156	N	COLLECTOR	1	OW TABLE/DESKTOP KIT COLLECTOR (SEE PAGE 13-19)
17	2321157-2	N	COLLECTOR	1	MFG PADS/ACC'Y KIT (1.0T) COLLECTOR (SEE PAGE 1-98)
18A	2366962	N	COLLECTOR	1	1.0T SPLIT HEAD COIL/PHANTOM COLLECT
18B	2321161-3	N	COLLECTOR	1	MFG HEAD COIL KIT (1.0T) COLLECTOR (SEE PAGE 1-112)
19	2138300-23	N	PERF SYS CAB	1	1.0T SYSTEM CABINET W/PA (SEE SECTION 8)
20	2207030-22	N	COLLECTOR	1	INFINITY 9.1 COMPUTER COLLECTOR (SEE SECTION 13)
21	2355992	N	COLLECTOR	1	ACGD ALTERNATES (SEE PAGE 1-90)
22	2355994	N	COLLECTOR	1	1.0T RF CAB ALTERNATES (SEE PAGE 1-90)

CATALOG M3800AD FRU N 1.0T ACGD HiSpeed with MULTICOIL

Item	Part Number	FRU	Name	Quantity	Description (Remarks)
1	2299215	N	FAN ASM	1	ACGD CABINET FAN ASSEMBLY (SEE PAGE 15-8)
2A	46-265300G2	N	TABLE ASM	1	LCC PATIENT TRANSPORT – NEW COLORS (SEE SECTION 3)
2B	46-265300G3	N	TABLE ASM	1	PATIENT TRANSPORT – INFINITY COLORS (SEE SECTION 3)
4	2285279	N	MEDIA	1	SR77 MOD OPTION KEY
14	2134337	N	KIT OF PARTS	1	PHANTOM KIT (SEE PAGE 1-100)
16	2321156	N	COLLECTOR	1	OW TABLE/DESKTOP KIT COLLECTOR (SEE PAGE 13-19)
17	2321157-2	N	COLLECTOR	1	MFG PADS/ACC'Y KIT (1.0T) COLLECTOR (SEE PAGE 1-98)
18A	2366962	N	COLLECTOR	1	1.0T SPLIT HEAD COIL/PHANTOM COLLECT
18B	2321161-3	N	COLLECTOR	1	MFG HEAD COIL KIT (1.0T) COLLECTOR (SEE PAGE 1-112)
19	2138300-23	N	PERF SYS CAB	1	1.0T SYSTEM CABINET W/PA (SEE SECTION 8)
20	2207030-22	N	COLLECTOR	1	INFINITY 9.1 COMPUTER COLLECTOR (SEE SECTION 13)
21	2355992	N	COLLECTOR	1	ACGD ALTERNATES (SEE PAGE 1-90)
22	2355994	N	COLLECTOR	1	1.0T RF CAB ALTERNATES (SEE PAGE 1-90)

CATALOG M3842PA FRU N 1.0T ACGD FIXED w/o MULTICOIL

Item	Part Number	FRU	Name	Quantity	Description (Remarks)
2	46-301383G18	N	PEN PANEL	1	PEN PANEL, NO MULTICOIL GEMSPRO G12 (SEE SECTION 4)
4	2133388-6	N	PHANTOM KIT	1	CONQUEST SPT PHANTOM CART KIT (SEE PAGE 1-102)
6	2120963-4	N	GRAD CBL KIT	1	100 FT CABLES, RUNS 762, 763, 764 (SEE PAGE 1-235)
7	46-258771G35	N	ASSEMBLY	1	LX FIXED SITE WITH OR W/O MULTICOIL (SEE PAGE 1-201)
8	46-258790G33	N	PDU CABLES	1	LX ACGD PDU CABLES - FIXED (SEE PAGE 1-222)
9	46-317249G25	N	CABLES F.O.	1	LX SGD FIXED SITE FIBEROPTIC SYS CBL (SEE PAGE 1-239)
10	46-317126G3	N	COVER KIT	1	UFI PENETRATION PANEL COVER KIT (SEE SECTION 4)
50	2282801-7	N	BRIDGE ASM	1	1.0T REAR SPLIT BRIDGE W/O PA (SEE PAGE 2-305)
51	2121199-12	N	BLOWER (MG6)	1	BLOWER CAB W/FXD MNTG BRACKETS (SEE PAGE 2-100)
52	2128542	N	HOSE KIT	1	2 RUBBER HOSE WITH 8 CLAMPS IN A BOX (SEE PAGE 1-217)
53	2129412-6	N	HOSE KIT	1	BLOWER HOSE KIT (SEE PAGE 2-103)
54	2209235	N	CABLE COLL	1	RF CABLES AND ADAPTERS (SEE PAGE 1-228)
55	2222541-10	N	COLLECTOR CO	1	WideOpen TOP FRONT & REAR COVERS (SEE PAGE 2-254)
56	2222541-9	N	COLLECTOR CO	1	WideOpen ENCL PEDESTAL COVERS (SEE PAGE 2-252)
57	2297542	N	TRIM COVERS	1	INFINITY TRIM COVERS W/CLIPS (SEE PAGE 2-253)
58	2321159	N	COLLECTOR	1	PAC AND SRI KIT (SEE PAGE 2-313)
59	2321160-7	N	COLLECTOR	1	REAR PEDESTAL W/O PA 1.0T FIXED COLL (SEE PAGE 2-251)
100	2335480-34	N	COLLECTOR	1	MFG COLLECTOR-9.1 FIXED

CATALOG M3843PA FRU N 1.0T ACGD FIXED with MULTICOIL

Item	Part Number	FRU	Name	Quantity	Description (Remarks)
2	46-301383G19	N	PEN PANEL	1	PEN PANEL W/MULTICOIL GEMSPRO G13 (SEE SECTION 4)
4	2133388-6	N	PHANTOM KIT	1	CONQUEST SPT PHANTOM CART KIT (SEE PAGE 1-102)
5	2120963-4	N	GRAD CBL KIT	1	100 FT CABLES, RUNS 762, 763, 764 (SEE PAGE 1-235)
6	46-258771G35	N	ASSEMBLY	1	LX FIXED SITE WITH OR W/O MULTICOIL (SEE PAGE 1-201)
7	46-258790G33	N	PDU CABLES	1	LX ACGD PDU CABLES - FIXED (SEE PAGE 1-201)
8	46-317249G25	N	CABLES F.O.	1	LX SGD FIXED SITE FIBEROPTIC SYS CBL (SEE PAGE 1-239)
9	46-317126G3	N	COVER KIT	1	UFI PENETRATION PANEL COVER KIT (SEE SECTION 4)
10	2355996	N	COLLECTOR	1	1.5T PEN WALL ALTERNATES - MFG COLL (SEE SECTION 4)
50	2282801-3	N	BRIDGE ASM	1	REAR SPLIT BRIDGE ASM 1.0T W/PA (SEE PAGE 2-305)
51	2121199-12	N	BLOWER (MG6)	1	BLOWER CAB W/FXD MNTG BRACKETS (SEE PAGE 2-100)
52	2128542	N	HOSE KIT	1	2 RUBBER HOSE WITH 8 CLAMPS IN A BOX (SEE PAGE 1-217)
53	2129412-6	N	HOSE KIT	1	BLOWER HOSE KIT (SEE PAGE 2-103)
54	2209235	N	CABLE COLL	1	RF CABLES AND ADAPTERS (SEE PAGE 1-228)
55	2222541-10	N	COLLECTOR CO	1	WideOpen TOP FRONT & REAR COVERS (SEE PAGE 2-254)
56	2222541-9	N	COLLECTOR CO	1	WideOpen ENCL PEDESTAL COVERS (SEE PAGE 2-252)
57	2297542	N	TRIM COVERS	1	INFINITY TRIM COVERS W/CLIPS (SEE PAGE 2-253)
58	2321159	N	COLLECTOR	1	PAC AND SRI KIT (SEE PAGE 2-313)
59	2321160-8	N	COLLECTOR	1	REAR PEDESTAL W/PA 1.0T FIXED COLL (SEE PAGE 2-251)
100	2335480-34	N	COLLECTOR	1	MFG COLLECTOR-9.1 FIXED

CATALOG		M3852PA FRU N		1.0T ACGD MOBILE w/o MULTICOIL	
Item	Part Number	FRU	Name	Quantity	Description (Remarks)
1	2209235	N	CABLE COLL	1	RF CABLES AND ADAPTERS (SEE PAGE 1-228)
2	46-301383G18	N	PEN PANEL	1	PEN PANEL, NO MULTICOIL G12 (SEE SECTION 4)
3	46-258790G34	N	PDU CABLES	1	LX ACGD PDU CABLES-MOBILE (SEE PAGE 1-222)
4	2133388-7	N	PHANTOM KIT	1	CX SPT PHANTOM CART KIT MINUS CART (SEE PAGE 1-103)
5	46-258771G39	N	ASSEMBLY	1	LX MOBILE WITH OR W/O MULTICOIL (SEE PAGE 1-204)
6	46-317249G27	N	CABLES F.O.	1	LX SGD TRUE MOB FIBER OPTIC SYS CBL (SEE PAGE 1-240)
7	2322678	N	COLLECTOR	1	MFG MOBILE MISC ITEMS COLLECTOR (SEE PAGE 1-91)
8	2120963-5	N	GRAD CBL KIT	1	GRADIENT CABLE KIT FOR MOBILES (SEE PAGE 1-235)
9	2128542	N	HOSE KIT	1	2 RUBBER HOSE WITH 8 CLAMPS IN A BOX (SEE PAGE 1-217)
10	46-317126G4	N	COVER KIT	1	MOBILE-SITE PENETRATION PANEL COVER (SEE SECTION 4)
11	2224384	N	ASSEMBLY	1	LCC CEILING TRACK (MOBILE)
50	2282801-7	N	BRIDGE ASM	1	1.0T REAR SPLIT BRIDGE W/O PA (SEE SECTION 2)
51	2297542-2	N	HOSE KIT	1	TWIN COVERS ARREM MKE W/CLIPS (SEE PAGE 2-253)
52	2222541-9	N	COLLECTOR	1	WIDE OPN ENCL PEDESTAL COVERS MKE (SEE SECTION 2)
53	2217457	N	TOP FRONT CO	1	WIDE OPEN TOP FRONT COVER (SEE SECTION 2)
54	2129412-6	N	HOSE KIT	1	BLOWER HOSE KIT (SEE PAGE 2-103)
55	2121199-12	N	BLOWER (MG6)	1	BLOWER CABINET W/FIXED MTG BRCKETS (SEE PAGE 2-100)
56	2321160-9	N	COLLECTOR	1	MFG REAR PED W/O PA 1.0T MOBILE COLL (SEE SECTION 2)
57	2321159	N	COLLECTOR	1	MFG PAC AND SRI KIT (SEE PAGE 2-313)
100	2335480-35	N	COLLECTOR	1	MFG COLLECTOR-9.1 MOBILE

CATALOG		M3853PA FRU N		1.0T ACGD MOBILE with MULTICOIL	
Item	Part Number	FRU	Name	Quantity	Description (Remarks)
2	46-301383G19	N	PEN PANEL	1	PEN PANEL W/MULTICOIL GEMSPRO G13 (SEE SECTION 4)
4	2133388-7	N	PHANTOM KIT	1	CX SPT PHANTOM CART KIT MINUS CART (SEE PAGE 1-103)
5	2120963-5	N	GRAD CBL KIT	1	GRADIENT CABLE KIT FOR MOBILES (SEE PAGE 1-235)
6	46-258771G39	N	ASSEMBLY	1	LX MOBILE WITH OR W/O MULTICOIL (SEE PAGE 1-204)
7	46-258790G34	N	PDU CABLES	1	LX ACGD PDU CABLES-MOBILE (SEE PAGE 1-222)
8	46-317249G27	N	CABLES F.O.	1	LX SGD TRUE MOB FIBER OPTIC SYS CBL (SEE PAGE 1-240)
9	46-317126G4	N	COVER KIT	1	MOBILE-SITE PENETRATION PANEL COVER (SEE SECTION 4)
10	2322678	N	COLLECTOR	1	MFG MOBILE MISC ITEMS COLLECTOR (SEE PAGE 1-91)
50	2282801-3	N	BRIDGE ASM	1	REAR SPLIT BRIDGE ASM 1.0T W/PA (SEE PAGE 2-305)
51	2121199-12	N	BLOWER (MG6)	1	BLOWER CAB W/FXD MNTG BRACKETS (SEE PAGE 2-100)
52	2128542	N	HOSE KIT	1	2 RUBBER HOSE WITH 8 CLAMPS IN A BOX (SEE PAGE 1-217)
53	2129412-6	N	HOSE KIT	1	BLOWER HOSE KIT (SEE PAGE 2-103)
54	2209235	N	CABLE COLL	1	RF CABLES AND ADAPTERS (SEE PAGE 1-228)
55	2217457	N	TOP FRONT CO	1	WideOpen TOP FRONT COVER
56	2222541-9	N	COLLECTER CO	1	WideOpen ENCL PEDESTAL COVERS (SEE PAGE 2-252)
57	2224384	N	ASSEMBLY	1	LCC CEILING TRACK (MOBILE)
58	2297542-2	N	TRIM COVERS	1	INFINITY TRIM COVERS W/CLIPS (SEE PAGE 2-253)
59	2321159	N	COLLECTOR	1	PAC AND SRI KIT (SEE PAGE 2-313)
60	2321160-10	N	COLLECTOR	1	REAR PEDESTAL W/PA 1.0T MOBILE COLL (SEE PAGE 2-251)
100	2335480-35	N	COLLECTOR	1	MFG COLLECTOR-9.1 MOBILE

CATALOG M3862PA FRU N 1.0T ACGD T/R w/o MULTICOIL

Item	Part Number	FRU	Name	Quantity	Description (Remarks)
2	46-301383G18	N	PEN PANEL	1	PEN PANEL, NO MULTICOIL GEMSPRO G12 (SEE SECTION 4)
4	2133388-6	N	PHANTOM KIT	1	CONQUEST SPT PHANTOM CART KIT (SEE PAGE 1-102)
7	2322678-2	N	COLLECTOR	1	MFG T/R MISC ITEMS COLLECTOR (SEE PAGE 1-91)
8	2120963-4	N	GRAD CBL KIT	1	100 FT CABLES, RUNS 762, 763, 764 (SEE PAGE 1-235)
9	46-258771G36	N	ASSEMBLY	1	LX 1.5T T/R WITH OR W/O MULTICOIL (SEE PAGE 1-202)
10	46-258790G35	N	PDU CABLES	1	LX ACGD PDU CABLES-T/R (SEE PAGE 1-222)
11	46-317249G26	N	CABLES F.O.	1	LX SGD T/R FIBER OPTIC SYSTEM CABLES (SEE PAGE 1-239)
12	46-317126G4	N	COVER KIT	1	MOBILE-SITE PENETRATION PANEL COVER (SEE SECTION 4)
50	2282801-7	N	BRIDGE ASM	1	1.0T REAR SPLIT BRIDGE W/O PA (SEE PAGE 2-305)
51	2121199-12	N	BLOWER (MG6)	1	BLOWER CAB W/FXD MNTG BRACKETS (SEE PAGE 2-100)
52	2128542	N	HOSE KIT	1	2 RUBBER HOSE WITH 8 CLAMPS IN A BOX (SEE PAGE 1-217)
53	2129412-6	N	HOSE KIT	1	BLOWER HOSE KIT (SEE PAGE 2-103)
54	2209235	N	CABLE COLL	1	RF CABLES AND ADAPTERS (SEE PAGE 1-228)
55	2222541-10	N	COLLECTER CO	1	WideOpen TOP FRONT & REAR COVERS (SEE PAGE 2-254)
56	2222541-9	N	COLLECTER CO	1	WideOpen ENCL PEDESTAL COVERS (SEE PAGE 2-252)
57	2297542	N	TRIM COVERS	1	INFINITY TRIM COVERS W/CLIPS (SEE PAGE 2-253)
58	2321159	N	COLLECTOR	1	PAC AND SRI KIT (SEE PAGE 2-313)
59	2321160-7	N	COLLECTOR	1	REAR PEDESTAL W/O PA 1.0T FIXED COLL (SEE PAGE 2-251)
100	2335480-35	N	COLLECTOR	1	MFG COLLECTOR-9.1 MOBILE

CATALOG M3863PA FRU N 1.0T ACGD T/R with MULTICOIL

Item	Part Number	FRU	Name	Quantity	Description (Remarks)
2	46-301383G19	N	PEN PANEL	1	PEN PANEL W/MULTICOIL GEMSPRO G13 (SEE SECTION 4)
4	2133388-6	N	PHANTOM KIT	1	CONQUEST SPT PHANTOM CART KIT (SEE PAGE 1-102)
7	2322678-2	N	COLLECTOR	1	MFG T/R MISC ITEMS COLLECTOR (SEE PAGE 1-91)
8	2120963-4	N	GRAD CBL KIT	1	100 FT CABLES, RUNS 762, 763, 764 (SEE PAGE 1-235)
9	2209235	N	CABLE COLL	1	RF CABLES AND ADAPTERS (SEE PAGE 1-228)
10	46-258771G36	N	ASSEMBLY	1	LX 1.5T T/R WITH OR W/O MULTICOIL (SEE PAGE 1-202)
11	46-258790G35	N	PDU CABLES	1	LX ACGD PDU CABLES-T/R (SEE PAGE 1-222)
12	46-317126G4	N	COVER KIT	1	MOBILE-SITE PENETRATION PANEL COVER (SEE SECTION 4)
13	46-317249G26	N	CABLES F.O.	1	LX SGD T/R FIBER OPTIC SYSTEM CABLES (SEE PAGE 1-239)
50	2282801-3	N	BRIDGE ASM	1	REAR SPLIT BRIDGE ASM 1.0T W/PA (SEE PAGE 2-305)
51	2121199-12	N	BLOWER (MG6)	1	BLOWER CAB W/FXD MNTG BRACKETS (SEE PAGE 2-100)
52	2128542	N	HOSE KIT	1	2 RUBBER HOSE WITH 8 CLAMPS IN A BOX (SEE PAGE 1-217)
53	2129412-6	N	HOSE KIT	1	BLOWER HOSE KIT (SEE PAGE 2-103)
54	2222541-9	N	COLLECTER CO	1	WideOpen ENCL PEDESTAL COVERS (SEE PAGE 2-252)
55	2222541-10	N	COLLECTER CO	1	WideOpen TOP FRONT & REAR COVERS (SEE PAGE 2-254)
56	2297542	N	TRIM COVERS	1	INFINITY TRIM COVERS W/CLIPS (SEE PAGE 2-253)
57	2321159	N	COLLECTOR	1	PAC AND SRI KIT (SEE PAGE 2-313)
58	2321160-8	N	COLLECTOR	1	REAR PEDESTAL W/PA 1.0T FIXED COLL (SEE PAGE 2-251)
100	2335480-35	N	COLLECTOR	1	MFG COLLECTOR-9.1 MOBILE

1-9 EXCITE 11.x SYSTEM CATALOGS

CATALOG M3000DB FRU N 1.5T EXCITE 11.x SmartSpeed with MULTICOIL

Item	Part Number	FRU	Name	Quantity	Description (Remarks)
2	46-265300G3	N	TABLE ASM	1	PATIENT TRANSPORT-INFINITY COLOR (SEE SECTION 3)
14	2134337	N	KIT OF PARTS	1	PHANTOM KIT (SEE PAGE 1-100)
16	2321156-9	N	COLLECTOR	1	DESKTOP COLLECTOR-EXCITE II (SEE PAGE 13-41)
17	2321157	N	COLLECTOR	1	MFG PADS/ACC'Y KIT (1.5T) COLLECTOR (SEE PAGE 1-98)
18	2366960	N	COLLECTOR	1	1.5T SPLIT HEAD COIL/PHANTOM KIT (SEE PAGE 1-113)
21	2355992	N	COLLECTOR	1	ACGD ALTERNATES - MFG COLLECTOR (SEE PAGE 1-90)
22	2396084	N	COLLECTOR	1	EXCITE II SYSTEM CABINET ALTERNATES (SEE PAGE 8-89)
23	M20082BK	N	CATALOG ITEM	1	GOC ASSY (SEE PAGE 13-42)
50	2299215	N	FAN ASM	1	ACGD CABINET FAN ASSEMBLY (SEE PAGE 15-8)

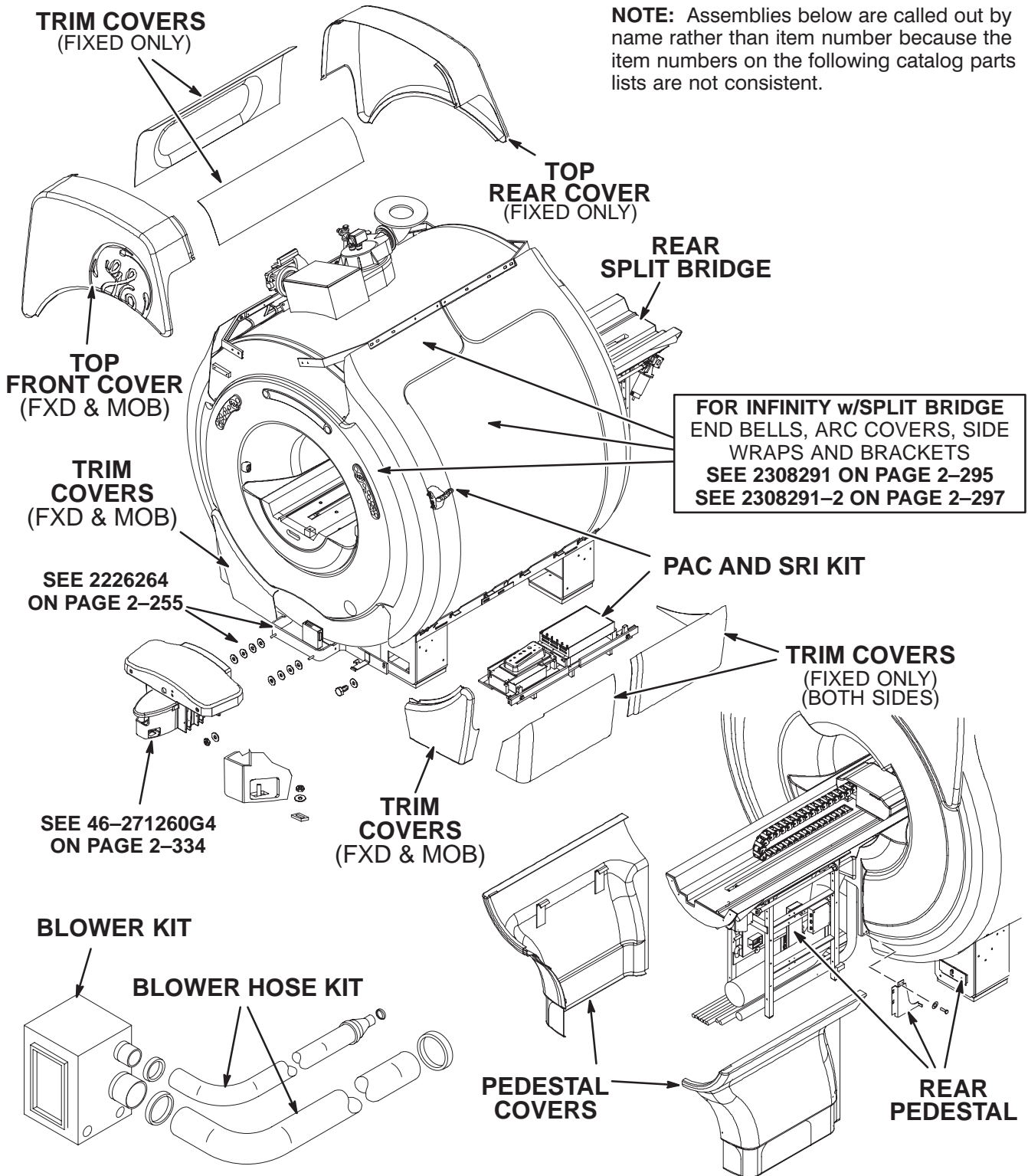
CATALOG M3000DC FRU N 1.5T EXCITE 11.x HiSpeed with MULTICOIL

Item	Part Number	FRU	Name	Quantity	Description (Remarks)
2	46-265300G3	N	TABLE ASM	1	PATIENT TRANSPORT-INFINITY COLOR (SEE SECTION 3)
4	5116103	N	SOFTWARE	1	HISPEED PLUS-SR120 ELECTRONIC OPTION - EXCITE
14	2134337	N	KIT OF PARTS	1	PHANTOM KIT (SEE PAGE 1-100)
16	2321156-9	N	COLLECTOR	1	DESKTOP COLLECTOR-EXCITE II (SEE PAGE 13-41)
17	2321157	N	COLLECTOR	1	MFG PADS/ACC'Y KIT (1.5T) COLLECTOR (SEE PAGE 1-98)
18	2366960	N	COLLECTOR	1	1.5T SPLIT HEAD COIL/PHANTOM KIT (SEE PAGE 1-113)
21	2355992	N	COLLECTOR	1	ACGD ALTERNATES - MFG COLLECTOR (SEE PAGE 1-90)
22	2396084	N	COLLECTOR	1	EXCITE II SYSTEM CABINET ALTERNATES (SEE PAGE 8-89)
23	M20082BK	N	CATALOG ITEM	1	GOC ASSY (SEE PAGE 13-42)
50	2381388	N	COLLECTOR	1	ACGD CAB FAN ASSEMBLY ALTERNATES (SEE PAGE 1-90)

CATALOG M3000DD FRU N 1.5T EXCITE 11.x EchoSpeed with MULTICOIL

Item	Part Number	FRU	Name	Quantity	Description (Remarks)
2	46-265300G3	N	TABLE ASM	1	PATIENT TRANSPORT-INFINITY COLOR (SEE SECTION 3)
14	2134337	N	KIT OF PARTS	1	PHANTOM KIT (SEE PAGE 1-100)
16	2321156-9	N	COLLECTOR	1	DESKTOP COLLECTOR-EXCITE II (SEE PAGE 13-41)
17	2321157	N	COLLECTOR	1	MFG PADS/ACC'Y KIT (1.5T) COLLECTOR (SEE PAGE 1-98)
18	2366960	N	COLLECTOR	1	1.5T SPLIT HEAD COIL/PHANTOM KIT (SEE PAGE 1-113)
23	M20082BK	N	CATALOG ITEM	1	GOC ASSY (SEE PAGE 13-42)
50	2381388	N	COLLECTOR	1	ACGD CAB FAN ASSEMBLY ALTERNATES (SEE PAGE 1-90)
70	5116104	N	SOFTWARE	1	ECHOSPEED PLUS-SR120 ELECTRONIC OPTION - EXCITE
73	2355992	N	COLLECTOR	1	ACGD ALTERNATES - MFG COLLECTOR (SEE PAGE 1-90)
74	2396084	N	COLLECTOR	1	EXCITE II SYSTEM CABINET ALTERNATES (SEE PAGE 8-89)

INFINITY WideOpen 1.5T MAGNET ENCLOSURE for EXCITE 11.x – FIXED, T/R, & MOBILE



CATALOG M3043PD FRU N 1.5T EXCITE 11.x FIXED with MULTICOIL

Item	Part Number	FRU	Name	Quantity	Description (Remarks)
2	2377529	N	ASSEMBLY	1	EXCITE II PEN PANEL NON TWIN (SEE PAGE 4-11)
4	2133388-6	N	PHANTOM KIT	1	CONQUEST SPT PHANTOM CART KIT (SEE PAGE 1-102)
5	2321160-16	N	COLLECTOR	1	MFG REAR PED 1.5T EXCITE II FIX COL (SEE PAGE 2-252)
14	46-317126G3	N	COVER KIT	1	UFI PENETRATION PANEL COVER KIT (SEE PAGE 4-26)
50	2382400	N	COLLECTOR	1	EXCITE II LPCA AND REAR SPLIT BRIDGE (SEE PAGE 2-307)
51	2121199-12	N	BLOWER (MG6)	1	BLOWER CABINET W/FIXED MTG BRCKETS (SEE PAGE 2-100)
53	2129412-6	N	HOSE KIT	1	BLOWER HOSE KIT-MRI RETRO UPGRADE (SEE PAGE 2-103)
54	2222541-10	N	COLLECTER CO	1	WideOpen TOP FRONT & REAR COVERS (SEE PAGE 2-254)
55	2222541-9	N	COLLECTOR	1	WideOpen ENCL PEDESTAL COVERS (SEE PAGE 2-252)
56	2297542	N	HOSE KIT	1	INFINITY TRIM COVERS W/CLIPS (SEE PAGE 2-253)
57	2321159-4	N	COLLECTOR	1	MFG PAC/SRI II UPG KIT COLLECTOR (SEE PAGE 2-314)

CATALOG M3053PD FRU N 1.5T EXCITE 11.x MOBILE with MULTICOIL

Item	Part Number	FRU	Name	Quantity	Description (Remarks)
2	2377529	N	ASSEMBLY	1	EXCITE II PEN PANEL NON TWIN (SEE PAGE 4-11)
4	2133388-7	N	PHANTOM KIT	1	CX SPT PHANTOM CART KIT MINUS CART (SEE PAGE 1-103)
5	2322678-5	N	COLLECTOR	1	MFG EXCITE II MOB MISC ITEM COL (SEE PAGE 1-91)
11	46-317126G4	N	COVER KIT	1	MOBILE-SITE PENETRATION PANEL COVER (SEE PAGE 4-26)
50	2382400	N	COLLECTOR	1	EXCITE II LPCA AND REAR SPLIT BRIDGE (SEE PAGE 2-307)
51	2121199-12	N	BLOWER (MG6)	1	BLOWER CABINET W/FIXED MTG BRCKETS (SEE PAGE 2-100)
52	2128542	N	HOSE KIT	1	2 RUBBER HOSE WITH 8 CLAMPS IN A BOX (SEE PAGE 2-100)
53	2129412-6	N	HOSE KIT	1	BLOWER HOSE KIT-MRI RETRO UPGRADE (SEE PAGE 2-103)
54	2217457	N	TOP FRONT CO	1	WideOpen TOP FRONT COVER
55	2222541-9	N	COLLECTOR	1	WideOpen ENCL PEDESTAL COVERS (SEE PAGE 2-252)
56	2224384	N	ASSEMBLY	1	LCC CEILING TRACK (MOBILE)
57	2297542-2	N	HOSE KIT	1	INFINITY TRIM COVERS W/CLIPS (SEE PAGE 2-253)
58	2321159-4	N	COLLECTOR	1	MFG PAC/SRI II UPG KIT COLLECTOR (SEE PAGE 2-314)
59	2321160-17	N	COLLECTOR	1	MFG REAR PED 1.5T EXCITE II MOB CO (SEE PAGE 2-252)

CATALOG M3063PD FRU N 1.5T EXCITE 11.x T/R with MULTICOIL

Item	Part Number	FRU	Name	Quantity	Description (Remarks)
2	2377529	N	ASSEMBLY	1	EXCITE II PEN PANEL NON TWIN (SEE PAGE 4-11)
4	2133388-6	N	PHANTOM KIT	1	CONQUEST SPT PHANTOM CART KIT (SEE PAGE 1-102)
5	2322678-6	N	COLLECTOR	1	MFG EXCITE II T/R MISC ITEMS COL (SEE PAGE 1-91)
6	2321160-16	N	COLLECTOR	1	MFG REAR PED 1.5T EXCITE II FIX COL (SEE PAGE 2-252)
11	46-317126G4	N	COVER KIT	1	MOBILE-SITE PENETRATION PANEL COVER (SEE PAGE 4-26)
50	2382400	N	COLLECTOR	1	EXCITE II LPCA AND REAR SPLIT BRIDGE (SEE PAGE 2-307)
51	2121199-12	N	BLOWER (MG6)	1	BLOWER CABINET W/FIXED MTG BRCKETS (SEE PAGE 2-100)
52	2128542	N	HOSE KIT	1	2 RUBBER HOSE WITH 8 CLAMPS IN A BOX (SEE PAGE 2-100)
53	2129412-6	N	HOSE KIT	1	BLOWER HOSE KIT-MRI RETRO UPGRADE (SEE PAGE 2-103)
54	2222541-10	N	COLLECTER CO	1	WideOpen TOP FRONT & REAR COVERS (SEE PAGE 2-254)
55	2222541-9	N	COLLECTOR	1	WideOpen ENCL PEDESTAL COVERS (SEE PAGE 2-252)
56	2297542	N	HOSE KIT	1	INFINITY TRIM COVERS W/CLIPS (SEE PAGE 2-253)
57	2321159-4	N	COLLECTOR	1	MFG PAC/SRI II UPG KIT COLLECTOR (SEE PAGE 2-314)

CATALOG M3143PD FRU N EXCITE 11.x FIXED CABLE COLLECTOR – CONFIG “A”

Item	Part Number	FRU	Name	Quantity	Description (Remarks)
1	2375450	N	SYSTEM CABLE	1	EXCITE II FXD SITE CABLES—CONFIG A (SEE PAGE 1–64)
2	2375451	N	PDU CABLES	1	ACGD PDU CABLES – CONFIG A (SEE PAGE 1–69)
3	2375452	N	PART	1	GRADIENT CABLE KIT – CONFIG A (SEE PAGE 1–70)
4	2375453	N	COLLECTOR	1	EXCITE II FXD FIBER OPTIC—CONFIG A (SEE PAGE 1–71)
5	2300798–2	N	KIT OF PARTS	1	1.5T HEAD/BODY COIL CABLE KIT—60 FT (SEE PAGE 1–227)
6	2128542	N	HOSE KIT	1	2 RUBBER HOSE WITH 8 CLAMPS IN A BOX (SEE PAGE 1–217)

CATALOG M3144PD FRU N EXCITE 11.x FIXED CABLE COLLECTOR – CONFIG “B”

Item	Part Number	FRU	Name	Quantity	Description (Remarks)
1	2375450–2	N	SYSTEM CABLE	1	EXCITE II FXD SITE CABLES—CONFIG B (SEE PAGE 1–64)
2	2375451–2	N	PDU CABLES	1	ACGD PDU CABLES – CONFIG B (SEE PAGE 1–69)
3	2375452–2	N	PART	1	GRADIENT CABLE KIT – CONFIG B (SEE PAGE 1–70)
4	2375453–2	N	COLLECTOR	1	EXCITE II FXD FIBER OPTIC—CONFIG B (SEE PAGE 1–71)
5	46–317598G23	N	XMIT COLL	1	1.5T FIXED SITE HELIAX & CONNECTORS (SEE PAGE 1–230)
6	2128542	N	HOSE KIT	1	2 RUBBER HOSE WITH 8 CLAMPS IN A BOX (SEE PAGE 1–217)
7	2105371	N	RF CABLE SET	1	RF CABINET FLEXIBLE EXTENSION CBLES (SEE PAGE 1–229)

CATALOG M3145PD FRU N EXCITE 11.x FIXED CABLE COLLECTOR – CONFIG “C”

Item	Part Number	FRU	Name	Quantity	Description (Remarks)
1	2375450–3	N	SYSTEM CABLE	1	EXCITE II FXD SITE CABLES—CONFIG C (SEE PAGE 1–64)
2	2375451–3	N	PDU CABLES	1	ACGD PDU CABLES – CONFIG C (SEE PAGE 1–69)
3	2375452–3	N	CABLE KIT	1	GRADIENT CABLE KIT – CONFIG C (SEE PAGE 1–70)
4	2375453–3	N	COLLECTOR	1	EXCITE II FXD FIBER OPTIC—CONFIG C (SEE PAGE 1–71)
5	2300798	N	KIT OF PARTS	1	1.5 T HEAD/BODY COIL CABLE KIT—80 FT (SEE PAGE 1–227)
6	2128542	N	HOSE KIT	1	2 RUBBER HOSE WITH 8 CLAMPS IN A BOX (SEE PAGE 1–217)

CATALOG M3153PD FRU N EXCITE 11.x MOBILE CABLE COLLECTOR

Item	Part Number	FRU	Name	Quantity	Description (Remarks)
2	2300798	N	KIT OF PARTS	1	1.5 T HEAD/BODY COIL CABLE KIT—80 FT (SEE PAGE 1–227)
3	2120963–5	N	GRAD CBL KIT	1	GRADIENT CABLE KIT FOR MOBILES (SEE PAGE 1–235)
4	46–258771G72	N	SYSTEM CABLE	1	MOBILE EXCITE II SYSTEM CABLES (SEE PAGE 1–211)
5	46–258790G81	N	PDU CABLES	1	PDU CABLES MOBILE EXCITE II NONTWIN (SEE PAGE 1–224)
6	46–317249G81	N	CABLES F.O.	1	F.O. CABLES EXCITE II MOB (SEE PAGE 1–241)

CATALOG M3163PD FRU N EXCITE 11.x T/R CABLE COLLECTOR

Item	Part Number	FRU	Name	Quantity	Description (Remarks)
2	2300798	N	KIT OF PARTS	1	1.5 T HEAD/BODY COIL CABLE KIT—80 FT (SEE PAGE 1–227)
3	2120963–4	N	GRAD CBL KIT	1	100 FT CABLES, RUNS 762, 763, 764 (SEE PAGE 1–235)
4	46–258771G73	N	SYSTEM CABLE	1	T/R EXCITE II SYSTEM CABLES (SEE PAGE 1–212)
5	46–258790G82	N	PDU CABLES	1	PDU CABLES T/R EXCITE II NON TWIN (SEE PAGE 1–225)
6	46–317249G82	N	COLLECTOR	1	F. O. CABLES T/R (SEE PAGE 1–241)

EXCITE 11.x FXD SITE CABLES – “A” 2375450 FRU N (PART 1 OF M3143PD PAGE 1–63)

Item	Part Number	FRU	Name	Quantity	Description (Remarks)
1	2379497	N	KIT OF PARTS	1.0	MAGNET ROOM CABLES – CONFIG A (SEE PAGE 1–64)
2	2379498	N	KIT OF PARTS	1.0	EQUIPMENT ROOM CABLES – CONFIG A (SEE PAGE 1–66)
3	2379499	N	KIT OF PARTS	1.0	CONTROL ROOM CABLES – CONFIG A (SEE PAGE 1–68)

EXCITE 11.x FXD SITE CABLES – “B” 2375450–2 FRU N (PART 1 OF M3144PD PAGE 1–63)

Item	Part Number	FRU	Name	Quantity	Description (Remarks)
1	2379497–2	N	KIT OF PARTS	1.0	MAGNET ROOM CABLES – CONFIG B (SEE PAGE 1–65)
2	2379498–2	N	KIT OF PARTS	1.0	EQUIPMENT ROOM CABLES – CONFIG B (SEE PAGE 1–67)
3	2379499	N	KIT OF PARTS	1.0	CONTROL ROOM CABLES – CONFIG A (SEE PAGE 1–68)

EXCITE 11.x FXD SITE CABLES – “C” 2375450–3 REV 3 (PART 1 OF M3145PD PAGE 1–63)

Item	Part Number	FRU	Name	Quantity	Description (Remarks)
1	2379497–3	N	KIT OF PARTS	1.0	MAGNET ROOM CABLES – CONFIG C (SEE PAGE 1–65)
2	2379498–3	N	KIT OF PARTS	1.0	EQUIPMENT ROOM CABLES – CONFIG C (SEE PAGE 1–68)
3	2379499	N	KIT OF PARTS	1.0	CONTROL ROOM CABLES – CONFIG A (SEE PAGE 1–68)

EXCITE 11.x MAGNET ROOM CABLES “A” 2379497 FRU N (PART 1 OF 2375450 PAGE 1–64)

Item	Part Number	FRU	Name	Quantity	Description (Remarks)
8	2328100–37	N	CABLE	1	(262) PP1–J8 TO MG3–A3–A5–OUT
9	2363001	N	ASSEMBLY	1	(282) MG3–A2–J6 TO PP1–J12
11	46–271693G1	N	CABLE ASM	1	(297) EMERGENCY OFF SW TO PP1–J18
12	2354601	N	ASSEMBLY	1	(318) MG3–A7 TO PP1–J11
15	2363002–3	N	ASSEMBLY	1	(387) MG2–A29–J1 TO PP1–J47
19	2354600–7	N	ASSEMBLY	1	(778) MG2–A12–A2–J3 TO PP1–A11–J72
20	2354600–9	N	ASSEMBLY	1	(779) MG2–A12–A2–J4 TO PP1–A11–J73
21	2354600–11	N	ASSEMBLY	1	(780) MG3–A3–J6 TO PP1–A11–J74
22	2354600–13	N	ASSEMBLY	1	(781) MG2–A12–A2–J5 TO PP1–A11–J75
23	2354600–15	N	ASSEMBLY	1	(782) MG2–A12–A2–J6 TO PP1–A11–J76
25	2357101–5	N	COLLECTOR	1	(715) MG2–A33–J1 TO PP1–J14
27	2371749–5	N	PART	1	(716) MG2–A11–J2 TO PP1–J89
29	2374702	N	CABLE	1	(784) MG6–J1 TO PP1–F5/F6
31	2374703	N	CABLE	1	(786) MG6–J2 TO P1–F7/F8
38	2328100–7	N	ASSEMBLY	1	(491) PP1–J80 TO MG3–A36–J7
39	2328100–9	N	ASSEMBLY	1	(492) PP1–J81 TO MG3–A36–J8
40	2328100–11	N	ASSEMBLY	1	(493) PP1–J82 TO MG3–A36–J9
50	2328100–23	N	ASSEMBLY	1	(1036) PP1–J84 TO MG3–A36–J6
51	2328100–25	N	ASSEMBLY	1	(1037) PP1–J6 TO MG3–A36–J1
52	2328100–27	N	ASSEMBLY	1	(1038) PP1–J7 TO MG3–A36–J2
53	2328100–29	N	ASSEMBLY	1	(1039) PP1–J58 TO MG3–A36–J3
54	2328100–31	N	ASSEMBLY	1	(1040) PP1–J59 TO MG3–A36–J4
55	2329505–4	N	CABLE	1	(1041) MG3A36–J10 TO PP1–J78
56	2371749–9	N	PART	1	(1042) MG3–A36–J5 TO PP1–J77
59	2377705	N	CABLE	1	(1054) SRI II TO CROSS POINT
60	2377248–3	N	CABLE	1	(1057) MG3–A8–J1 TO PP1–J85 UTNS

EXCITE 11.x MAGNET RM CABLES "B" 2379497-2 FRU N

(PART 1 OF 2375450-2 PAGE 1-64)

Item	Part Number	FRU	Name	Quantity	Description (Remarks)
8	2328100-37	N	CABLE	1	(262) PP1-J8 TO MG3-A3-A5-OUT
9	2363001	N	ASSEMBLY	1	(282) MG3-A2-J6 TO PP1-J12
11	46-271693G1	N	CABLE ASM	1	(297) EMERGENCY OFF SW TO PP1-J18
12	2354601	N	ASSEMBLY	1	(318) MG3-A7 TO PP1-J11
15	2363002-3	N	ASSEMBLY	1	(387) MG2-A29-J1 TO PP1-J47
19	2354600-7	N	ASSEMBLY	1	(778) MG2-A12-A2-J3 TO PP1-A11-J72
20	2354600-9	N	ASSEMBLY	1	(779) MG2-A12-A2-J4 TO PP1-A11-J73
21	2354600-11	N	ASSEMBLY	1	(780) MG3-A3-J6 TO PP1-A11-J74
22	2354600-13	N	ASSEMBLY	1	(781) MG2-A12-A2-J5 TO PP1-A11-J75
23	2354600-15	N	ASSEMBLY	1	(782) MG2-A12-A2-J6 TO PP1-A11-J76
25	2357101-5	N	COLLECTOR	1	(715) MG2-A33-J1 TO PP1-J14
27	2371749-5	N	PART	1	(716) MG2-A11-J2 TO PP1-J89
29	2374702	N	CABLE	1	(784) MG6-J1 TO PP1-F5/F6
31	2374703	N	CABLE	1	(786) MG6-J2 TO P1-F7/F8
38	2328100-7	N	ASSEMBLY	1	(491) PP1-J80 TO MG3-A36-J7
39	2328100-9	N	ASSEMBLY	1	(492) PP1-J81 TO MG3-A36-J8
40	2328100-11	N	ASSEMBLY	1	(493) PP1-J82 TO MG3-A36-J9
50	2328100-23	N	ASSEMBLY	1	(1036) PP1-J84 TO MG3-A36-J6
51	2328100-25	N	ASSEMBLY	1	(1037) PP1-J6 TO MG3-A36-J1
52	2328100-27	N	ASSEMBLY	1	(1038) PP1-J7 TO MG3-A36-J2
53	2328100-29	N	ASSEMBLY	1	(1039) PP1-J58 TO MG3-A36-J3
54	2328100-31	N	ASSEMBLY	1	(1040) PP1-J59 TO MG3-A36-J4
55	2329505-4	N	CABLE	1	(1041) MG3A36-J10 TO PP1-J78
56	2371749-9	N	PART	1	(1042) MG3-A36-J5 TO PP1-J77
59	2377705	N	CABLE	1	(1054) SRI II TO CROSS POINT
60	2377248-3	N	CABLE	1	(1057) MG3-A8-J1 TO PP1-J85 UTNS

EXCITE 11.x MAGNET RM CABLES "C" 2379497-3 FRU N

(PART 1 OF 2375450-3 PAGE 1-64)

Item	Part Number	FRU	Name	Quantity	Description (Remarks)
8	2328100-38	N	CABLE	1	(262) PP1-J8 TO MG3-A3-A5-OUT
9	2363001-2	N	ASSEMBLY	1	(282) MG3-A2-J6 TO PPA-J12
11	46-271693G1	N	CABLE ASM	1	(297) EMERGENCY OFF SW TO PP1-J18
12	2354601-2	N	ASSEMBLY	1	(318) MG3-A7 TO PP1-J11
15	2363002-4	N	ASSEMBLY	1	(387) MG2-A29-J1 TO PP1-J47
19	2354600-8	N	ASSEMBLY	1	(778) MG2-A12-A2-J3 TO PP1-A11-J72
20	2354600-10	N	ASSEMBLY	1	(779) MG2-A12-A2-J4 TO PP1-A11-J73
21	2354600-12	N	ASSEMBLY	1	(780) MG3-A3-J6 TO PP1-A11-J74
22	2354600-14	N	ASSEMBLY	1	(781) MG2-A12-A2-J5 TO PP1-A11-J75
23	2354600-16	N	ASSEMBLY	1	(782) MG2-A12-A2-J6 TO PP1-A11-J76
25	2357101-6	N	COLLECTOR	1	(715) MG2-A33-J1 TO PP1-J14
27	2371749-6	N	PART	1	(716) MG2-A11-J2 TO PP1-J89
29	2374702-2	N	CABLE	1	(784) MG6-J1 TO PP1-F5/F6
31	2374703-2	N	CABLE	1	(786) MG6-J2 TO P1-F7/F8
38	2328100-8	N	ASSEMBLY	1	(491) PP1-J80 TO MG3-A36-J7
39	2328100-10	N	ASSEMBLY	1	(492) PP1-J81 TO MG3-A36-J8
40	2328100-12	N	ASSEMBLY	1	(493) PP1-J82 TO MG3-A36-J9
50	2328100-24	N	ASSEMBLY	1	(1036) PP1-J84 TO MG3-A36-J6
51	2328100-26	N	ASSEMBLY	1	(1037) PP1-J6 TO MG3-A36-J1
52	2328100-28	N	ASSEMBLY	1	(1038) PP1-J7 TO MG3-A36-J2
53	2328100-30	N	ASSEMBLY	1	(1039) PP1-J58 TO MG3-A36-J3
54	2328100-32	N	ASSEMBLY	1	(1040) PP1-J59 TO MG3-A36-J4
55	2329505-3	N	CABLE	1	(1041T)MG3A36-J10 TO PP1-J78
56	2371749-10	N	PART	1	(1042) MG3-A36-J5 TO PP1-J77
59	2377705	N	CABLE	1	(1054) SRI II TO CROSS POINT
60	2377248-4	N	CABLE	1	(1057) MG3-A8-J1 TO PP1-J85 UTNS

EXCITE 11.x EQPMNT ROOM CABLES "A" 2379498 FRU N

(PART 2 OF 2375450 PAGE 1-64)

Item	Part Number	FRU	Name	Quantity	Description (Remarks)
3	2371938	N	CABLE	1	(702) MR2-A11-J18 TO MR1-J5
4	2371939	N	CABLE	1	(703/971) MR2-A11-J23 TO PD1-A1-A2-
5	2328100-34	N	ASSEMBLY	1	(229) MR2-A11-J1 TO MR1-A7-J3 OR
6	2328100-35	N	ASSEMBLY	1	(231) MR2-A11-J2 TO PP1-J8
7	2328100-13	N	ASSEMBLY	1	(233/499) MR2-A11-J5 TO PP1-7 OR
10	46-271692G601	N	CABLE ASM	1	(296T) PP1-J18 TO FACILITIIY DISCONN
13	2357101	N	COLLECTOR	1	(768) PP1-J20 TO MR1-A7-J31
14	2363002	N	ASSEMBLY	1	(771) PP1-J47 TO MR1-A7-J36
16	2354601-3	N	ASSEMBLY	1	(770) PP1-J11 TO MR1-A7-J41
17	2363001-3	N	ASSEMBLY	1	(769) PP1-J15 TO MR1-A7-J34
18	2374701-3	N	CABLE	1	(774) MR2-A11-J25 TO MR1-A7-J32
24	2357101-3	N	COLLECTOR	1	(772) PP1-J14 TO MR1-A7-J40
26	2371749	N	PART	1	(773) PP1-A17-J1 TO MR1-A7-J35
28	2123533	N	POWER CABLE	1	(783) MR1-A7-J37 TO PP1-F5/F6, 30'
30	2123535	N	POWER CABLE	1	(785) MR1-A7-J18 TO PP1-F7/F8, 30'
32	2354600	N	ASSEMBLY	1	(777) MR1-A7-J43 TO PP1-A11-J94
33	2354600-3	N	ASSEMBLY	1	(776) MR1-A7-J44 TO PP1-A11-J93
34	2354600-5	N	ASSEMBLY	1	(775) MR1-A7-J42 TO PP1-A11-J92
35	2328100	N	CABLE	1	(488) MR2-A11-J8 TO PP1-J80
36	2328100-3	N	ASSEMBLY	1	(489) MR2-A11-J9 TO PP1-J81
37	2328100-5	N	ASSEMBLY	1	(490) MR2-A11-J10 TO PP1-J82
44	2328100-15	N	ASSEMBLY	1	(1025) MR2-A11-J40 TO PP1-J6
45	2328100-17	N	ASSEMBLY	1	(1026) MR2-A11-J41 TO PP1-J7
46	2328100-19	N	ASSEMBLY	1	(1027) MR2-A11-J42 TO PP1-J58
47	2328100-21	N	ASSEMBLY	1	(1028) MR2-A11-J43 TO PP1-J59
48	2371749-7	N	PART	1	(1029) PP1-J77 TO M2-A11-J62
49	2357101-7	N	COLLECTOR	1	(1030) PP1-J78 TO MR2-A11-J61
58	2377248	N	CABLE	1	(1053) PP1-J85 TO MG3-A8-J1

EXCITE 11.x EQPMNT RM CABLES "B" 2379498-2 FRU N

(PART 2 OF 2375450-2 PAGE 1-64)

Item	Part Number	FRU	Name	Quantity	Description (Remarks)
3	2371938	N	CABLE	1	(702) MR2-A11-J18 TO MR1-J5
4	2371939	N	CABLE	1	(703/971) MR2-A11-J23 TO PD1-A1-A2-
5	2328100-34	N	ASSEMBLY	1	(229) MR2-A11-J1 TO MR1-A7-J3 OR
6	2328100-36	N	ASSEMBLY	1	(231) MR2-A11-J2 TO PP1-J8
7	2328100-14	N	ASSEMBLY	1	(233/499) MR2-A11-J5 TO PP1-7 OR
10	46-271692G1	N	CABLE ASM	1	(296) FACILITY DISCONNECT TO PP1-J18
13	2357101-2	N	COLLECTOR	1	(768) PP1-J20 TO MR1-A7-J31
14	2363002-2	N	ASSEMBLY	1	(771) PP1-J47 TO MR1-A7-J36
16	2354601-4	N	ASSEMBLY	1	(770) PP1-J11 TO MR1-A7-J41
17	2363001-4	N	ASSEMBLY	1	(769) PP1-J15 TO MR1-A7-J34
18	2374701-3	N	CABLE	1	(774) MR2-A11-J25 TO MR1-A7-J32
24	2357101-4	N	COLLECTOR	1	(772) PP1-J14 TO MR1-A7-J40
26	2371749-2	N	PART	1	(773) PP1-A17-J1 TO MR1-A7-J35
28	2123533-4	N	CABLE	1	(783TR) MR1-A7-J37 TO PP1-F5/F6, 65'
30	2123535-4	N	POWER CABLE	1	(785TR) MR1-A7-J18 TO PP1-F7/F8, 65'
32	2354600-2	N	ASSEMBLY	1	(777) MR1-A7-J43 TO PP1-A11-J94
33	2354600-4	N	ASSEMBLY	1	(776) MR1-A7-J44 TO PP1-A11-J93
34	2354600-6	N	ASSEMBLY	1	(775) MR1-A7-J42 TO PP1-A11-J92
35	2328100-2	N	ASSEMBLY	1	(488) MR2-A11-J8 TO PP1-J80
36	2328100-4	N	ASSEMBLY	1	(489) MR2-A11-J9 TO PP1-J81
37	2328100-6	N	ASSEMBLY	1	(490) MR2-A11-J10 TO PP1-J82
44	2328100-16	N	ASSEMBLY	1	(1025) MR2-A11-J40 TO PP1-J6
45	2328100-18	N	ASSEMBLY	1	(1026) MR2-A11-J41 TO PP1-J7
46	2328100-20	N	ASSEMBLY	1	(1027) MR2-A11-J42 TO PP1-J58
47	2328100-22	N	ASSEMBLY	1	(1028) MR2-A11-J43 TO PP1-J59
48	2371749-8	N	PART	1	(1029) PP1-J77 TO M2-A11-J62
49	2357101-8	N	COLLECTOR	1	(1030) PP1-J78 TO MR2-A11-J61
58	2377248-2	N	CABLE	1	(1053) MR2A11J54 TO PP1J85 UTNS

EXCITE 11.x EQPMNT RM CABLES "C" 2379498-3 FRU N

(PART 2 OF 2375450-3 PAGE 1-64)

Item	Part Number	FRU	Name	Quantity	Description (Remarks)
3	2371938	N	CABLE	1	(702) MR2-A11-J18 TO MR1-J5
4	2371939	N	CABLE	1	(703/971) MR2-A11-J23 TO PD1-A1-A2-
5	2328100-34	N	ASSEMBLY	1	(229) MR2-A11-J1 TO MR1-A7-J3 OR
6	2328100-35	N	ASSEMBLY	1	(231) MR2-A11-J2 TO PP1-J8
7	2328100-13	N	ASSEMBLY	1	(233/499) MR2-A11-J5 TO PP1-7 OR
10	46-271692G601	N	CABLE ASM	1	(296T) PP1-J18 TO FACILITIY DISCONN
13	2357101	N	COLLECTOR	1	(768) PP1-J20 TO MR1-A7-J31
14	2363002	N	ASSEMBLY	1	(771) PP1-J47 TO MR1-A7-J36
16	2354601-3	N	ASSEMBLY	1	(770) PP1-J11 TO MR1-A7-J41
17	2363001-3	N	ASSEMBLY	1	(769) PP1-J15 TO MR1-A7-J34
18	2374701-3	N	CABLE	1	(774) MR2-A11-J25 TO MR1-A7-J32
24	2357101-3	N	COLLECTOR	1	(772) PP1-J14 TO MR1-A7-J40
26	2371749	N	PART	1	(773) PP1-A17-J1 TO MR1-A7-J35
28	2123533	N	POWER CABLE	1	(783) MR1-A7-J37 TO PP1-F5/F6, 30'
30	2123535	N	POWER CABLE	1	(785) MR1-A7-J18 TO PP1-F7/F8, 30'
32	2354600	N	ASSEMBLY	1	(777) MR1-A7-J43 TO PP1-A11-J94
33	2354600-3	N	ASSEMBLY	1	(776) MR1-A7-J44 TO PP1-A11-J93
34	2354600-5	N	ASSEMBLY	1	(775) MR1-A7-J42 TO PP1-A11-J92
35	2328100	N	CABLE	1	(488) MR2-A11-J8 TO PP1-J80
36	2328100-3	N	ASSEMBLY	1	(489) MR2-A11-J9 TO PP1-J81
37	2328100-5	N	ASSEMBLY	1	(490) MR2-A11-J10 TO PP1-J82
44	2328100-15	N	ASSEMBLY	1	(1025) MR2-A11-J40 TO PP1-J6
45	2328100-17	N	ASSEMBLY	1	(1026) MR2-A11-J41 TO PP1-J7
46	2328100-19	N	ASSEMBLY	1	(1027) MR2-A11-J42 TO PP1-J58
47	2328100-21	N	ASSEMBLY	1	(1028) MR2-A11-J43 TO PP1-J59
48	2371749-7	N	PART	1	(1029) PP1-J77 TO M2-A11-J62
49	2357101-7	N	COLLECTOR	1	(1030) PP1-J78 TO MR2-A11-J61
58	2377248	N	CABLE	1	(1053) PP1-J85 TO MG3-A8-J1

EXCITE 11.x CNTROL ROOM CABLES "A" 2379499 FRU N

(PART 3 OF 2375450 PAGE 1-64)
 (PART 3 OF 2375450-2 PAGE 1-64)
 (PART 3 OF 2375450-3 PAGE 1-64)
 (PART 3 OF 2375450-4 PAGE 1-80)
 (PART 3 OF 2375450-5 PAGE 1-80)
 (PART 3 OF 2375450-6 PAGE 1-80)

Item	Part Number	FRU	Name	Quantity	Description (Remarks)
2	46-243775G807	N	CABLE	1	(701) MR2-A11-J15 TO RF DOOR SW
41	2363001-5	N	ASSEMBLY	1	(1085) PP1-J12 TO OW1-A21-J7
42	2354601-6	N	ASSEMBLY	1	(1084) MR1-A11-J26 TO OW1-A21
57	2374705-2	N	CABLE	1	(1082) OW-A15-ETH TO MR2-A11-J63

EXCITE 11.x ACGD PDU CABLES--"A" 2375451 FRU N

(PART 2 OF M3143PD PAGE 1-63)

Item	Part Number	FRU	Name	Quantity	Description (Remarks)
1	2345401	N	CABLE	1.0	(037) MR2-A12-GND TO PD1-GND
2	46-320460G1	N	CABLE POWER	2.0	PDU OUTLET TO MAG/SHIM POWER SUPPLY
3	2371513	N	CABLE	1.0	(040) RF COM GRND STUD TO MS1
4	2345401-2	N	ASSEMBLY	1.0	(044) MR1-A7-GND TO PD1-GND
5	2345401-4	N	ASSEMBLY	1.0	(045) PP1-GND TO FAN MOD-GND
7	2371514	N	CABLE ASM	1.0	(966) MR1-A7-J1 TO MR3-PD1
8	2371514-2	N	CABLE ASM	1.0	(968) MR2-A12-J1 TO MR3-PD1
9	2370617	N	PART	1.0	(967) MR1-CB1 OR MR1-TS1 TO MR3-PD1
10	2371515-2	N	CABLE ASM	1.0	(1081) OW1-A19-J1 TO MR3-PD1
11	2371516	N	CABLE ASM	1.0	(970) WC1 TO MR3-PD1
12	2345401-8	N	ASSEMBLY	1.0	(038) MR1-A7-GND TO PD1-A2-A2

EXCITE 11.x ACGD PDU CABLES--"B" 2375451-2 FRU N

(PART 2 OF M3144PD PAGE 1-63)

Item	Part Number	FRU	Name	Quantity	Description (Remarks)
1	2345401	N	CABLE	1.0	(037) MR2-A12-GND TO PD1-GND
2	46-320460G1	N	CABLE POWER	2.0	PDU OUTLET TO MAG/SHIM POWER SUPPLY
3	2371513	N	CABLE	1.0	(040) RF COM GRND STUD TO MS1
4	2345401-3	N	ASSEMBLY	1.0	(044) MR1-A7-GND TO PD1-GND
5	2345401-4	N	ASSEMBLY	1.0	(045) PP1-GND TO FAN MOD-GND
7	2371514	N	CABLE ASM	1.0	(966) MR1-A7-J1 TO MR3-PD1
8	2371514-2	N	CABLE ASM	1.0	(968) MR2-A12-J1 TO MR3-PD1
9	2370617	N	PART	1.0	(967) MR1-CB1 OR MR1-TS1 TO MR3-PD1
10	2371515-2	N	CABLE ASM	1.0	(1081) OW1-A19-J1 TO MR3-PD1
11	2371516	N	CABLE ASM	1.0	(970) WC1 TO MR3-PD1
12	2345401-8	N	ASSEMBLY	1.0	(038) MR1-A7-GND TO PD1-A2-A2

EXCITE 11.x ACGD PDU CABLES--"C" 2375451-3 FRU N

(PART 2 OF M3145PD PAGE 1-63)

Item	Part Number	FRU	Name	Quantity	Description (Remarks)
1	2345401	N	CABLE	1.0	(037) MR2-A12-GND TO PD1-GND
2	46-320460G1	N	CABLE POWER	2.0	PDU OUTLET TO MAG/SHIM POWER SUPPLY
3	2371513-2	N	CABLE	1.0	(040) RF COM GRND STUD TO MS1
4	2345401-2	N	ASSEMBLY	1.0	(044) MR1-A7-GND TO PD1-GND
5	2345401-5	N	ASSEMBLY	1.0	(045) PP1-GND TO FAN MOD-GND
7	2371514	N	CABLE ASM	1.0	(966) MR1-A7-J1 TO MR3-PD1
8	2371514-2	N	CABLE ASM	1.0	(968) MR2-A12-J1 TO MR3-PD1
9	2370617	N	PART	1.0	(967) MR1-CB1 OR MR1-TS1 TO MR3-PD1
10	2371515-2	N	CABLE ASM	1.0	(1081) OW1-A19-J1 TO MR3-PD1
11	2371516	N	CABLE ASM	1.0	(970) WC1 TO MR3-PD1
12	2345401-8	N	ASSEMBLY	1.0	(038) MR1-A7-GND TO PD1-A2-A2

EXCITE 11.x GRADIENT CABLES--"A" 2375452 FRU N (PART 3 OF M3143PD PAGE 1-63)

Item	Part Number	FRU	Name	Quantity	Description (Remarks)
1	2345400	N	CABLE	1	(762) PP1-A7-1/2 TO PP1-A7-1/2
2	2345400-2	N	CABLE	1	(763) PP1-A7-3/4 TO PP1-A7-3/4
3	2345400-3	N	CABLE	1	(764) PP1-A7-5/6 TO PP1-A7-5/6

EXCITE 11.x GRADIENT CABLES--"B" 2375452-2 FRU N (PART 3 OF M3144PD PAGE 1-63)

Item	Part Number	FRU	Name	Quantity	Description (Remarks)
1	2345400-4	N	CABLE	1	(762) PP1-A7-1/2 TO PP1-A7-1/2
2	2345400-5	N	CABLE	1	(763) PP1-A7-3/4 TO PP1-A7-3/4
3	2345400-6	N	CABLE	1	(764) PP1-A7-5/6 TO PP1-A7-5/6

EXCITE 11.x GRADIENT CABLES--"C" 2375452-3 FRU N (PART 3 OF M3145PD PAGE 1-63)

Item	Part Number	FRU	Name	Quantity	Description (Remarks)
1	2345400-7	N	CABLE	1	(762) PP1-A7-1/2 TO PP1-A7-1/2
2	2345400-8	N	CABLE	1	(763) PP1-A7-3/4 TO PP1-A7-3/4
3	2345400-9	N	CABLE	1	(764) PP1-A7-5/6 TO PP1-A7-5/6

EXCITE 11.x FIBER OPTIC CABLES--"A" 2375453 FRU N

(PART 4 OF M3143PD PAGE 1-63)

(PART 4 OF M3143TD PAGE 1-79)

Item	Part Number	FRU	Name	Quantity	Description (Remarks)
1	2374923	N	CABLE	1	(709) MR1-A7-RX TO MR3-CAB I/F-J2
2	2330480-4	N	CABLE	1	(1033) MR2-A11-J16 TO MR1-A7-TX
3	2331897-4	N	PART	1	(1034) MR2-A11-J17 TO MR3-PD1-J2
4	2126180	N	CONNECTOR KT	1	FIBER-OPTIC CONDUIT PANEL-MOUNT CONN
5	46-220191P1	N	CLAMP	1	CLAMP FOR FLAT CABLE
6	46-230653P2	N	TUBING	1	1/4" DIA. SPIRALLY CUT POLYETHYLENE
7	46-208758P2	N	TY-RAP	1	5.5" X .140" SELF-LOCKING CABLE TIE.
8	2331846-4	N	PART	1	(1045) MR2-A11-J13 TO PP1-A17
9	46-328079G7	N	CABLE ASM	1	(711T/712T) PP1-J91 TO MG2-A33
10	2318811-8	N	PART	1	(1083) OW1-A15-BIT3 TO MR2-A11-J22
11	2378450	N	PART	1	(1078) MG2A33J15 TO MG3A36J20

EXCITE 11.x FIBER OPTIC CABLES--"B"2375453-2 FRU N

(PART 4 OF M3144PD PAGE 1-63)

(PART 4 OF M3144TD PAGE 1-79)

Item	Part Number	FRU	Name	Quantity	Description (Remarks)
1	2374923	N	CABLE	1.0	(709) MR1-A7-RX TO MR3-CAB I/F-J2
2	2330480-4	N	CABLE	1.0	(1033) MR2-A11-J16 TO MR1-A7-TX
3	2331897-4	N	PART	1.0	(1034) MR2-A11-J17 TO MR3-PD1-J2
4	2126180	N	CONNECTOR KT	1.0	FIBER-OPTIC CONDUIT PANEL-MOUNT CONN
5	46-220191P1	N	CLAMP	1.0	CLAMP FOR FLAT CABLE
6	46-230653P2	N	TUBING	1.0	1/4" DIA. SPIRALLY CUT POLYETHYLENE
7	46-208758P2	N	TY-RAP	1.0	5.5" X .140" SELF-LOCKING CABLE TIE.
8	2331846-5	N	PART	1.0	(1045) MR2-A11-J13 TO PP1-A17
9	46-328079G7	N	CABLE ASM	1.0	(711T/712T) PP1-J91 TO MG2-A33
10	2318811-8	N	PART	1.0	(1083) OW1-A15-BIT3 TO MR2-A11-J22
11	2378450	N	PART	1.0	(1078) MG2A33J15 TO MG3A36J20

EXCITE 11.x FIBER OPTIC CABLES--"C" 2375453-3 FRU N

(PART 4 OF M3145PD PAGE 1-63)

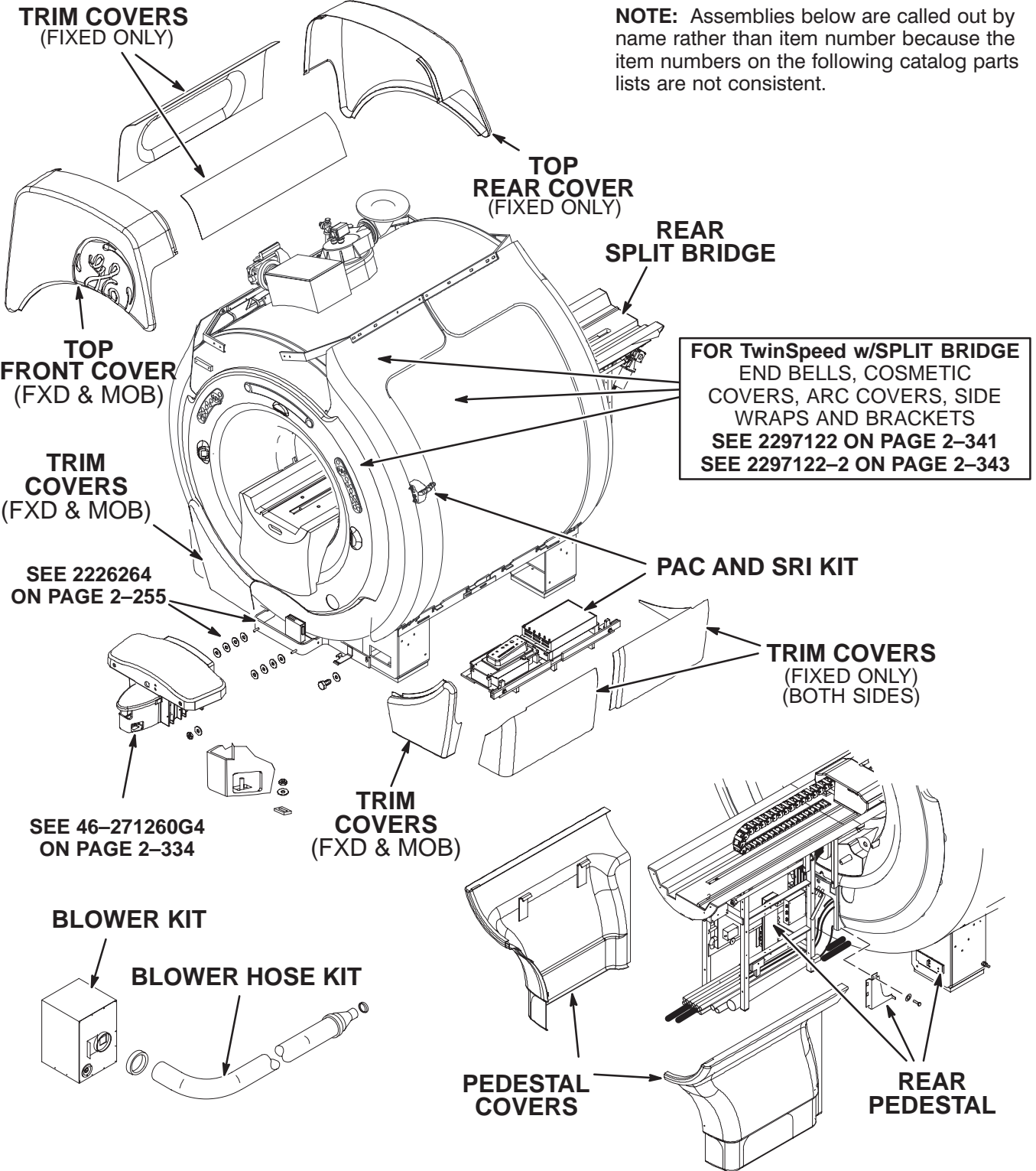
(PART 4 OF M3145TD PAGE 1-79)

Item	Part Number	FRU	Name	Quantity	Description (Remarks)
1	2374923	N	CABLE	1	(709) MR1-A7-RX TO MR3-CAB I/F-J2
2	2330480-4	N	CABLE	1	(1033) MR2-A11-J16 TO MR1-A7-TX
3	2331897-4	N	PART	1	(1034) MR2-A11-J17 TO MR3-PD1-J2
4	2126180	N	CONNECTOR KT	1	FIBER-OPTIC CONDUIT PANEL-MOUNT CONN
5	46-220191P1	N	CLAMP	1	CLAMP FOR FLAT CABLE
6	46-230653P2	N	TUBING	1	1/4" DIA. SPIRALLY CUT POLYETHYLENE
7	46-208758P2	N	TY-RAP	1	5.5" X .140" SELF-LOCKING CABLE TIE.
8	2331846-4	N	PART	1	(1045) MR2-A11-J13 TO PP1-A17
9	46-328079G9	N	FO CABLE ASM	1	(711M/712M) PP1-J91 TO MG2-A11-J9,10
10	2318811-8	N	PART	1	(1083) OW1-A15-BIT3 TO MR2-A11-J22
11	2378450	N	PART	1	(1078) MG2A33J15 TO MG3A36J20

1-10 TwinSpeed ACGD SYSTEM CATALOGS

CATALOG	M3000TA FRU N		1.5T TWINSPEED EchoSpeed w/MC		
Item	Part Number	FRU	Name	Quantity	Description (Remarks)
1	2299215	N	FAN ASM	1	ACGD CABINET FAN ASSEMBLY (SEE PAGE 15-8)
2	46-265300G3	N	TABLE ASM	1	LCC PATIENT TRANSPRT-INFINITY COLOR (SEE SECTION 3)
14	2134337	N	KIT OF PARTS	1	PHANTOM KIT (SEE PAGE 1-100)
16	2321156	N	COLLECTOR	1	OW TABLE/DESKTOP KIT COLLECTOR (SEE PAGE 13-19)
17	2321157	N	COLLECTOR	1	MFG PADS/ACC'Y KIT (1.5T) COLLECTOR (SEE PAGE 1-98)
18A	2366960	N	COLLECTOR	1	1.5T SPLIT HEAD COIL/PHANTOM COLLECT
18B	2321161	N	COLLECTOR	1	MFG HEAD COIL KIT (1.5T) COLLECTOR (SEE PAGE 1-112)
70	2210001	N	ASSEMBLY	1	ECHOSPEED OPTION KEY COLLECTOR
71	2138300-19	N	PERF SYS CAB	1	1.5T SYSTEM CABINET (SEE SECTION 8)
72	2207030-22	N	COLLECTOR	1	INFINITY 9.1 1.5T WITH PHASED ARRAY (SEE SECTION 13)
73	2239500	N	ASSEMBLY	1	TWIN ACCESSORY CABINET ASSEMBLY (SEE SECTION 17)
74	2355993	N	COLLECTOR	1	1.5T RF CAB ALTERNATES - MFG COLLECTR (SEE PAGE 1-90)
75	2355992	N	COLLECTOR	1	ACGD ALTERNATES - MFG COLLECTOR (SEE PAGE 1-90)

1.5T TwinSpeed MAGNET ENCLOSURE – FIXED & MOBILE



CATALOG M3043TA FRU N 1.5T TWINSPEED FIXED with MULTICOIL

Item	Part Number	FRU	Name	Quantity	Description (Remarks)
2	46-301383G17	N	PEN PANEL	1	GEMSPRO TRM PEN PANEL W/TRM FILTERS (SEE SECTION 4)
4	2133388-6	N	PHANTOM KIT	1	CONQUEST SPT PHANTOM CART KIT (SEE PAGE 1-102)
7A	2300798	N	KIT OF PARTS	1	1.5 T HEAD/BODY COIL CABLE KIT-80 FT (SEE PAGE 1-227)
7B	46-317598G23	N	XMIT COLL	ALT	1.5T FIXED SITE HELIAX & CONNECTORS (SEE PAGE 1-230)
9	46-258771G50	N	SYSTEM CABLE	1	TWIN LX FIXED SITE CABLES (SEE PAGE 1-208)
10	46-258790G36	N	PDU CABLES	1	LX TWINSPEED PDU CABLES (SEE PAGE 1-223)
11	46-317249G25	N	CABLES F.O.	1	LX SGD FIXED SITE FIBEROPTIC SYS CBL (SEE PAGE 1-239)
12	46-317126G3	N	COVER KIT	1	UFI PENETRATION PANEL COVER KIT (SEE SECTION 4)
50	2282801	N	BRIDGE ASM	1	REAR SPLIT BRIDGE ASM W/PA 1.5T (SEE PAGE 2-304)
51	2120963-8	N	GRAD CBL KIT	1	TWIN GRADIENT CABLE KIT FIXED SITE (SEE PAGE 1-236)
52	2129412-5	N	HOSE KIT	1	BLOWER HOSE KIT-MRI RETRO UPGRADE (SEE PAGE 2-103)
53	2222541-9	N	COLLECTER CO	1	WIDE OPEN ENCL PEDESTAL COVERS MKE (SEE PAGE 2-252)
54	2222541-10	N	COLLECTER CO	1	WIDE OPEN ENCLOSURE COVERS MKE (SEE PAGE 2-254)
55	2241999	N	CABINET	1	TWIN PATIENT BLOWER CABINET (SEE PAGE 2-102)
56	2295225	N	HOSE ASM	1	TWIN GRADIENT HOSE ASSEMBLY (SEE PAGE 2-349)
57	2295226	N	HOSE ASM	1	TWIN VACUUM HOSE ASSEMBLY (SEE PAGE 2-350)
58	2297542	N	HOSE KIT	1	TWIN COVERS W/CLIPS (SEE PAGE 2-253)
59	2321159	N	COLLECTOR	1	PAC AND SRI KIT (SEE PAGE 2-313)
60	2321160	N	COLLECTOR	1	REAR PED 1.5T FIXED COLLECTOR (SEE PAGE 2-250)
100	2335480-36	N	COLLECTOR	1	MFG COLLECTOR-9.1 TWIN 1.5T FIXED

CATALOG M3053TA FRU N 1.5T TWINSPEED MOBILE with MULTICOIL

Item	Part Number	FRU	Name	Quantity	Description (Remarks)
2	46-301383G17	N	PEN PANEL	1	GEMSPRO TRM PEN PANEL W/TRM FILTERS (SEE SECTION 4)
4	2133388-7	N	PHANTOM KIT	1	CX SPT PHANTOM CART KIT MINUS CART (SEE PAGE 1-103)
5	2322678	N	COLLECTOR	1	MFG MOBILE MISC ITEMS COLLECTOR (SEE PAGE 1-91)
6A	2300798	N	KIT OF PARTS	1	1.5 T HEAD/BODY COIL CABLE KIT-80 FT (SEE PAGE 1-227)
6B	46-317598G24	N	XMIT COLL	ALT	TRUE MOBILE RF CABLES & ADAPTERS (SEE PAGE 1-230)
7	2120963-9	N	GRAD CBL KIT	1	TWIN GRADIENT CABLE KIT MOBILE SITE (SEE PAGE 1-236)
8	46-258771G52	N	SYSTEM CABLE	1	TWIN LX MOBILE SITE (SEE PAGE 1-209)
9	46-258790G38	N	PDU CABLES	1	LX TWINSPEED PDU CABLES, MOBILE (SEE PAGE 1-223)
10	46-317249G27	N	CABLES F.O.	1	LX SGD TRUE MOB FIBER OPTIC SYS CBL (SEE PAGE 1-240)
11	46-317126G4	N	COVER KIT	1	MOBILE-SITE PENETRATION PANEL COVER (SEE SECTION 4)
50	2282801	N	BRIDGE ASM	1	REAR SPLIT BRIDGE ASM W/PA 1.5T (SEE PAGE 2-304)
51	2129412-5	N	HOSE KIT	1	BLOWER HOSE KIT-MRI RETRO UPGRADE (SEE PAGE 2-103)
52	2217457	N	TOP FRONT CO	1	WIDE OPEN TOP FRONT COVER
53	2222541-9	N	COLLECTER CO	1	WIDE OPEN ENCL PEDESTAL COVERS MKE (SEE PAGE 2-252)
54	2224384	N	ASSEMBLY	1	LCC CEILING TRACK (MOBILE)
55	2241999	N	CABINET	1	TWIN PATIENT BLOWER CABINET (SEE PAGE 2-102)
56	2295225	N	HOSE ASM	1	TWIN GRADIENT HOSE ASSEMBLY (SEE PAGE 2-349)
57	2295226	N	HOSE ASM	1	TWIN VACUUM HOSE ASSEMBLY (SEE PAGE 2-350)
58	2297542-2	N	COVERS	1	TWIN COVERS W/CLIPS (SEE PAGE 2-253)
59	2321159	N	COLLECTOR	1	PAC AND SRI KIT (SEE PAGE 2-313)
60	2321160-2	N	COLLECTOR	1	REAR PED 1.5T MOBILE COLLECTOR (SEE PAGE 2-250)

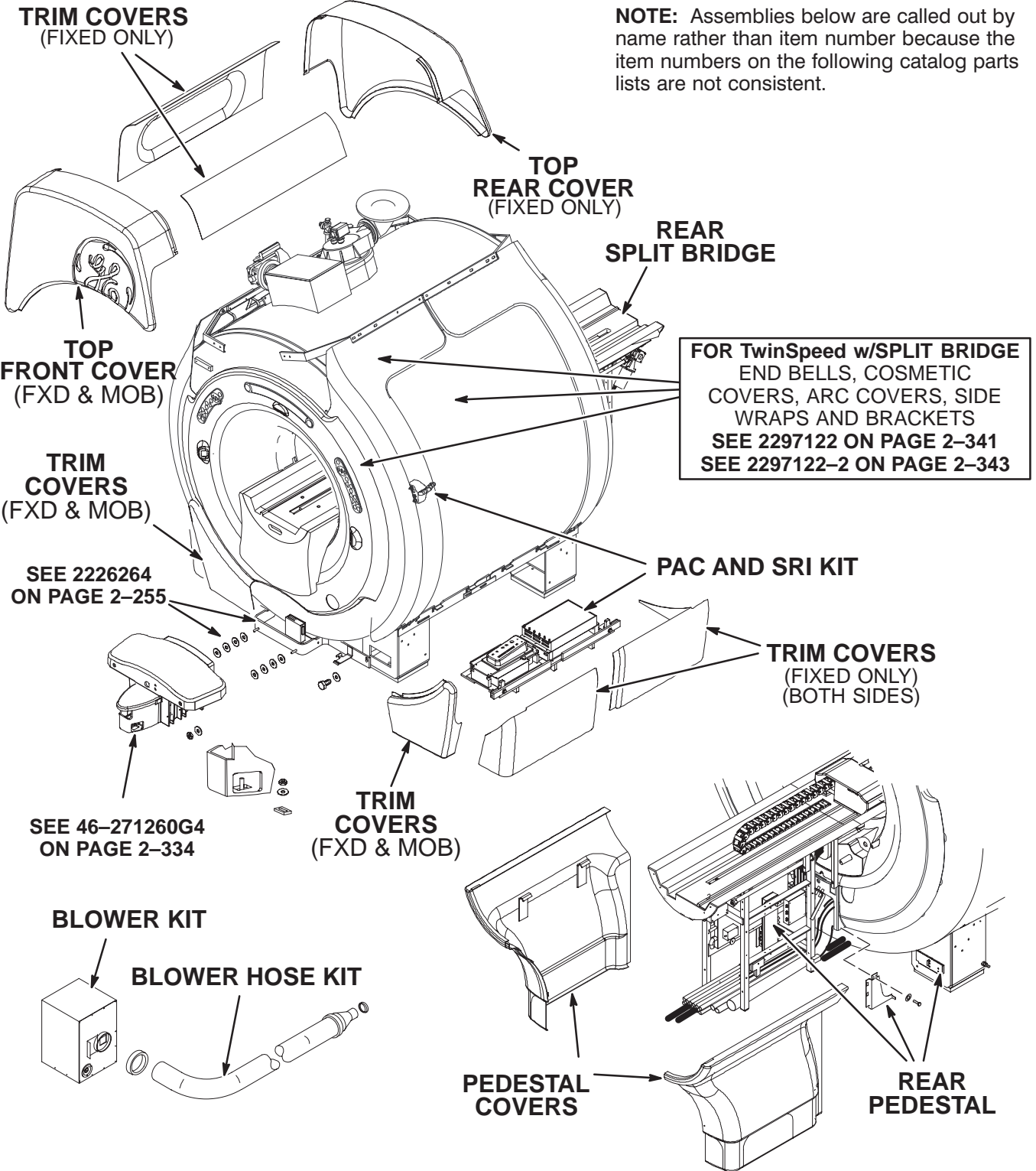
CATALOG M3063TA FRU N 1.5T TWINSPEED T/R with MULTICOIL

Item	Part Number	FRU	Name	Quantity	Description (Remarks)
2	46-301383G17	N	PEN PANEL	1	GEMSPRO TRM PEN PANEL W/TRM FILTERS (SEE SECTION 4)
4	2133388-6	N	PHANTOM KIT	1	CONQUEST SPT PHANTOM CART KIT (SEE PAGE 1-102)
6	2120963-9	N	GRAD CBL KIT	1	TWIN GRADIENT CABLE KIT MOBILE SITE (SEE PAGE 1-236)
7	2322678-2	N	COLLECTOR	1	MFG T/R MISC ITEMS COLLECTOR (SEE PAGE 1-91)
8A	2300798	N	KIT OF PARTS	1	1.5 T HEAD/BODY COIL CABLE KIT-80 FT (SEE PAGE 1-227)
8B	46-317598G20	N	XMIT COLL	ALT	1.5T FIXED SITE HELIAX & CONNECTORS (SEE PAGE 1-230)
9	46-258771G53	N	SYSTEM CABLE	1	TWIN LX T/R SITE (SEE PAGE 1-210)
10	46-258790G39	N	PDU CABLES	1	LX TWINSPEED PDU CABLES, T/R (SEE PAGE 1-223)
11	46-317249G26	N	CABLES F.O.	1	LX SGD T/R FIBER OPTIC SYSTEM CABLES (SEE PAGE 1-239)
12	46-317126G4	N	COVER KIT	1	MOBILE-SITE PENETRATION PANEL COVER (SEE SECTION 4)
50	2282801	N	BRIDGE ASM	1	REAR SPLIT BRIDGE ASM W/PA 1.5T (SEE PAGE 2-304)
51	2129412-5	N	HOSE KIT	1	BLOWER HOSE KIT-MRI RETRO UPGRADE (SEE PAGE 2-103)
52	2222541-10	N	COLLECTER CO	1	WIDE OPEN ENCLOSURE COVERS MKE (SEE PAGE 2-254)
53	2222541-9	N	COLLECTER CO	1	WIDE OPEN ENCL PEDESTAL COVERS MKE (SEE PAGE 2-252)
54	2241999	N	CABINET	1	TWIN PATIENT BLOWER CABINET (SEE PAGE 2-102)
55	2295225	N	HOSE ASM	1	TWIN GRADIENT HOSE ASSEMBLY (SEE PAGE 2-349)
56	2295226	N	HOSE ASM	1	TWIN VACUUM HOSE ASSEMBLY (SEE PAGE 2-350)
57	2297542	N	COVERS	1	TWIN COVERS W/CLIPS (SEE PAGE 2-253)
58	2321159	N	COLLECTOR	1	PAC AND SRI KIT (SEE PAGE 2-313)
59	2321160	N	COLLECTOR	1	REAR PED 1.5T FIXED COLLECTOR (SEE PAGE 2-250)

1-11 EXCITE II 11.x TwinSpeed SYSTEM CATALOGS

CATALOG	M3000TD	FRU	N	1.5T EXCITE 11.x TwinSpeed EchoSpeed W/PA	
Item	Part Number	FRU	Name	Quantity	Description (Remarks)
2	46-265300G3	N	TABLE ASM	1	PATIENT TRANSPORT-INFINITY COLOR (SEE SECTION 3)
14	2134337	N	KIT OF PARTS	1	PHANTOM KIT(SEE PAGE (SEE PAGE 1-100)
16	2321156-9	N	COLLECTOR	1	DESKTOP COLLECTOR-EXCITE II (SEE PAGE 13-41)
17	2321157	N	COLLECTOR	1	MFG PADS/ACC'Y KIT (1.5T) COLLECTOR (SEE PAGE 1-98)
18	2366960	N	COLLECTOR	1	1.5T SPLIT HEAD COIL/PHANTOM COLLECT (SEE PAGE 1-113)
23	M20082BK	N	CATALOG ITEM	1	GOC ASSY (SEE PAGE 13-42)
50	2381388	N	COLLECTOR	1	ACGD CAB FAN ASSEMBLY ALTERNATES (SEE PAGE 1-90)
70	5116104	N	PDM SOFTWARE	1	ECHOSPEED PLUS-SR120 ELECTRONIC OPTION
72	5116064	N	PDM ASSEMBLY	1	TWIN ACCESORY CABINET (SEE PAGE 17-7)
74	2355992	N	COLLECTOR	1	ACGD ALTERNATES - MFG COLLECTOR (SEE PAGE 1-90)
75	2396084	N	COLLECTOR	1	EXCITE II SYSTEM CABINET ALTERNATES (SEE PAGE 8-89)

1.5T TwinSpeed MAGNET ENCLOSURE – FIXED & MOBILE



CATALOG M3043TD FRU N 1.5T EXCITE 11.x TwinSpeed FIXED with MULTICOIL

Item	Part Number	FRU	Name	Quantity	Description (Remarks)
2	2377529-2	N	ASSEMBLY	1	EXCITE II PEN PANEL TWIN (SEE PAGE 4-13)
4	2133388-6	N	PHANTOM KIT	1	CONQUEST SPT PHANTOM CART KIT (SEE PAGE 1-102)
5	2321160-16	N	COLLECTOR	1	MFG REAR PED 1.5T EXCITE II FIX COL (SEE PAGE 2-252)
11	46-317126G3	N	COVER KIT	1	UFI PENETRATION PANEL COVER KIT (SEE PAGE 4-26)
50	2382400	N	COLLECTOR	1	EXCITE II LPCA AND REAR SPLIT BRIDGE (SEE PAGE 2-307)
51	2129412-5	N	HOSE KIT	1	BLOWER HOSE KIT (SEE PAGE 2-103)
52	2222541-10	N	COLLECTER CO	1	WIDE OPEN ENCLOSURE COVERS MKE (SEE PAGE 2-254)
53	2222541-9	N	COLLECTOR	1	WIDE OPN ENCL PEDESTAL COVERS MKE (SEE PAGE 2-252)
54	2241999	N	CABINET	1	TWIN PATIENT BLOWER CABINET (SEE PAGE 2-102)
57	2297542	N	HOSE KIT	1	TWIN COVERS ARREM MKE W/CLIPS (SEE PAGE 2-253)
58	2321159-4	N	COLLECTOR	1	MFG PAC/SRI II UPG KIT COLLECTOR (SEE PAGE 2-314)

CATALOG M3053TD FRU N 1.5T EXCITE 11.x TwinSpeed MOBILE with MULTICOIL

Item	Part Number	FRU	Name	Quantity	Description (Remarks)
2	2377529-2	N	ASSEMBLY	1	EXCITE II PEN PANEL TWIN (SEE PAGE 4-13)
4	2133388-7	N	PHANTOM KIT	1	CX SPT PHANTOM CART KIT MINUS CART (SEE PAGE 1-103)
5	2322678-5	N	COLLECTOR	1	MFG EXCITE II MOB MISC ITEM COLLECTOR (SEE PAGE 1-91)
11	46-317126G4	N	COVER KIT	1	MOBILE-SITE PENETRATION PANEL COVER (SEE PAGE 4-26)
50	2382400	N	COLLECTOR	1	EXCITE II LPCA AND REAR SPLIT BRIDGE (SEE PAGE 2-307)
51	2129412-5	N	HOSE KIT	1	BLOWER HOSE KIT (SEE PAGE 2-103)
52	2217457	N	TOP FRONT CO	1	WIDE OPEN TOP FRONT COVER
53	2222541-9	N	COLLECTOR	1	WIDE OPN ENCL PEDESTAL COVERS MKE (SEE PAGE 2-252)
54	2224384	N	ASSEMBLY	1	LCC CEILING TRACK (MOBILE)
55	2241999	N	CABINET	1	TWIN PATIENT BLOWER CABINET (SEE PAGE 2-102)
56	2295225	N	HOSE ASM	1	TWIN GRADIENT HOSE ASSEMBLY (SEE PAGE 2-349)
57	2295226	N	HOSE ASM	1	TWIN VACUUM HOSE ASSEMBLY (SEE PAGE 2-350)
58	2297542-2	N	HOSE KIT	1	TWIN COVERS ARREM MKE W/CLIPS (SEE PAGE 2-253)
59	2321159-4	N	COLLECTOR	1	MFG PAC/SRI II UPG KIT COLLECTOR (SEE PAGE 2-314)
60	2321160-17	N	COLLECTOR	1	MFG REAR PED 1.5T EXCITE II MOB COL (SEE PAGE 2-252)

CATALOG M3063TD FRU N 1.5T EXCITE 11.x TwinSpeed T/R with MULTICOIL

Item	Part Number	FRU	Name	Quantity	Description (Remarks)
2	2377529-2	N	ASSEMBLY	1	EXCITE II PEN PANEL TWIN (SEE PAGE 4-13)
4	2133388-6	N	PHANTOM KIT	1	CONQUEST SPT PHANTOM CART KIT (SEE PAGE 1-102)
5	2321160-16	N	COLLECTOR	1	MFG REAR PED 1.5T EXCITE II FIX COL (SEE PAGE 2-252)
7	2322678-6	N	COLLECTOR	1	MFG EXCITE II T/R MISC ITEMS COL (SEE PAGE 1-91)
13	46-317126G4	N	COVER KIT	1	MOBILE-SITE PENETRATION PANEL COVER (SEE PAGE 4-26)
50	2382400	N	COLLECTOR	1	EXCITE II LPCA AND REAR SPLIT BRIDGE (SEE PAGE 2-307)
51	2129412-5	N	HOSE KIT	1	BLOWER HOSE KIT (SEE PAGE 2-103)
52	2222541-10	N	COLLECTER CO	1	WIDE OPEN ENCLOSURE COVERS MKE (SEE PAGE 2-254)
53	2222541-9	N	COLLECTOR	1	WIDE OPN ENCL PEDESTAL COVERS MKE (SEE PAGE 2-252)
54	2241999	N	CABINET	1	TWIN PATIENT BLOWER CABINET (SEE PAGE 2-102)
55	2295225	N	HOSE ASM	1	TWIN GRADIENT HOSE ASSEMBLY (SEE PAGE 2-349)
56	2295226	N	HOSE ASM	1	TWIN VACUUM HOSE ASSEMBLY (SEE PAGE 2-350)
57	2297542	N	HOSE KIT	1	TWIN COVERS ARREM MKE W/CLIPS (SEE PAGE 2-253)
58	2321159-4	N	COLLECTOR	1	MFG PAC/SRI II UPG KIT COLLECTOR (SEE PAGE 2-314)

CATALOG M3143TD FRU N EXCITE 11.x TwinSpeed FIXED CABLE KIT – CONFIG “A”

Item	Part Number	FRU	Name	Quantity	Description (Remarks)
1	2375450-4	N	SYSTEM CABLE	1	EXCITE II TWIN FXD CABLES—CONFIG A (SEE PAGE 1-80)
2	2375451-4	N	PDU CABLES	1	TWIN PDU CABLES – CONFIG A (SEE PAGE 1-85)
3	2375452-4	N	CABLE KIT	1	TWIN GRADIENT CABLE KIT – CONFIG A (SEE PAGE 1-86)
4	2375453	N	COLLECTOR	1	EXCITE II FXD FIBER OPTIC—CONFIG A (SEE PAGE 1-71)
5	2300798-2	N	KIT OF PARTS	1	1.5T HEAD/BODY COIL CABLE KIT—60 FT (SEE PAGE 1-227)
6	2295225	N	HOSE ASM	1	TWIN GRADIENT HOSE ASSEMBLY (SEE PAGE 2-349)
7	2295226	N	HOSE ASM	1	TWIN VACUUM HOSE ASSEMBLY (SEE PAGE 2-350)

CATALOG M3144TD FRU N EXCITE 11.x TwinSpeed FIXED CABLE KIT – CONFIG “B”

Item	Part Number	FRU	Name	Quantity	Description (Remarks)
1	2375450-5	N	SYSTEM CABLE	1	EXCITE II TWIN FXD CABLES—CONFIG B (SEE PAGE 1-80)
2	2375451-5	N	PDU CABLES	1	TWIN PDU CABLES – CONFIG B (SEE PAGE 1-85)
3	2375452-5	N	CABLE KIT	1	TWIN GRADIENT CABLE KIT – CONFIG B (SEE PAGE 1-86)
4	2375453-2	N	COLLECTOR	1	EXCITE II FXD FIBER OPTIC—CONFIG B (SEE PAGE 1-71)
5	46-317598G23	N	XMIT COLL	1	1.5T FIXED SITE HELIAX & CONNECTORS (SEE PAGE 1-230)
6	2295225	N	HOSE ASM	1	TWIN GRADIENT HOSE ASSEMBLY (SEE PAGE 2-349)
7	2295226	N	HOSE ASM	1	TWIN VACUUM HOSE ASSEMBLY (SEE PAGE 2-350)
8	2105371	N	RF CABLE SET	1	RF CAB FLEXIBLE EXTENSION CABLES (SEE PAGE 1-229)

CATALOG M3145TD FRU N EXCITE 11.x TwinSpeed FIXED CABLE KIT – CONFIG “C”

Item	Part Number	FRU	Name	Quantity	Description (Remarks)
1	2375450-6	N	SYSTEM CABLE	1	EXCITE II TWIN FXD CABLES—CONFIG C (SEE PAGE 1-80)
2	2375451-6	N	PDU CABLES	1	TWIN PDU CABLES – CONFIG C (SEE PAGE 1-85)
3	2375452-6	N	CABLE KIT	1	TWIN GRADIENT CABLE KIT – CONFIG C (SEE PAGE 1-86)
4	2375453-3	N	COLLECTOR	1	EXCITE II FXD FIBER OPTIC—CONFIG C (SEE PAGE 1-71)
5	2300798	N	KIT OF PARTS	1	1.5 T HEAD/BODY COIL CABLE KIT—80 FT (SEE PAGE 1-227)
6	2295225	N	HOSE ASM	1	TWIN GRADIENT HOSE ASSEMBLY (SEE PAGE 2-349)
7	2295226	N	HOSE ASM	1	TWIN VACUUM HOSE ASSEMBLY (SEE PAGE 2-350)

CATALOG M3153TD FRU N EXCITE 11.x TwinSpeed MOBILE CABLE KIT

Item	Part Number	FRU	Name	Quantity	Description (Remarks)
2	2300798	N	KIT OF PARTS	1	1.5 T HEAD/BODY COIL CABLE KIT—80 FT (SEE PAGE 1-227)
3	2120963-9	N	GRAD CBL KIT	1	TWIN GRADIENT CABLE KIT MOBILE SITE (SEE PAGE 1-236)
4	46-258771G74	N	SYSTEM CABLE	1	MOB TWIN EXCITE II SYSTEM CABLES (SEE PAGE 1-213)
5	46-258790G83	N	PDU CABLES	1	PDU CABLES MOB EXCITE II TWIN (SEE PAGE 1-225)
6	46-317249G81	N	CABLES F.O.	1	F.O. CABLES EXCITE II MOB (SEE PAGE 1-241)

CATALOG M3163TD FRU N EXCITE 11.x TwinSpeed T/R CABLE KIT

Item	Part Number	FRU	Name	Quantity	Description (Remarks)
2	2300798	N	KIT OF PARTS	1	1.5 T HEAD/BODY COIL CABLE KIT—80 FT (SEE PAGE 1-227)
3	2120963-9	N	GRAD CBL KIT	1	TWIN GRADIENT CABLE KIT MOBILE SITE (SEE PAGE 1-236)
4	46-258771G75	N	SYSTEM CABLE	1	TWIN T/R EXCITE II SYSTEM CABLE (SEE PAGE 1-214)
5	46-258790G84	N	PDU CABLES	1	PDU CABLES T/R EXCITE II TWIN (SEE PAGE 1-225)
6	46-317249G82	N	COLLECTOR	1	F. O. CABLES T/R (SEE PAGE 1-241)

Twin EXCITE 11.x FXD CABLES – “A” 2375450-4 FRU N (PART 1 OF M3143TD PAGE 1-79)

Item	Part Number	FRU	Name	Quantity	Description (Remarks)
1	2379497-4	N	KIT OF PARTS	1.0	TWIN MAGNET ROOM CABLES – CONFIG A (SEE PAGE 1-80)
2	2379498-4	N	KIT OF PARTS	1.0	TWIN EQUIPMENT RM CABLES—CONFIG A (SEE PAGE 1-82)
3	2379499	N	KIT OF PARTS	1.0	CONTROL ROOM CABLES – CONFIG A (SEE PAGE 1-68)

Twin EXCITE 11.x FXD CABLES – “B” 2375450-5 FRU N (PART 1 OF M3144TD PAGE 1-79)

Item	Part Number	FRU	Name	Quantity	Description (Remarks)
1	2379497-5	N	KIT OF PARTS	1.0	TWIN MAGNET ROOM CABLES – CONFIG B (SEE PAGE 1-81)
2	2379498-5	N	KIT OF PARTS	1.0	TWIN EQUIPMENT RM CABLES—CONFIG B (SEE PAGE 1-83)
3	2379499	N	KIT OF PARTS	1.0	CONTROL ROOM CABLES – CONFIG A (SEE PAGE 1-68)

Twin EXCITE 11.x FXD CABLES – “C” 2375450-6 FRU N (PART 1 OF M3145TD PAGE 1-79)

Item	Part Number	FRU	Name	Quantity	Description (Remarks)
1	2379497-6	N	KIT OF PARTS	1.0	TWIN MAGNET ROOM CABLES – CONFIG C (SEE PAGE 1-81)
2	2379498-6	N	KIT OF PARTS	1.0	TWIN EQUIPMENT RM CABLES—CONFIG C (SEE PAGE 1-84)
3	2379499	N	KIT OF PARTS	1.0	CONTROL ROOM CABLES – CONFIG A (SEE PAGE 1-68)

Twin EXCITE 11.x MGNT RM CBLS “A” 2379497-4 FRU N (PART 1 OF 2375450-4 PAGE 1-80)

Item	Part Number	FRU	Name	Quantity	Description (Remarks)
8	2328100-37	N	CABLE	1	(262) PP1-J8 TO MG3-A3-A5-OUT
9	2363001	N	ASSEMBLY	1	(282) MG3-A2-J6 TO PP1-J12
11	46-271693G1	N	CABLE ASM	1	(297) EMERGENCY OFF SW TO PP1-J18
12	2354601	N	ASSEMBLY	1	(318) MG3-A7 TO PP1-J11
15	2363002-3	N	ASSEMBLY	1	(387) MG2-A29-J1 TO PP1-J47
19	2354600-7	N	ASSEMBLY	1	(778) MG2-A12-A2-J3 TO PP1-A11-J72
20	2354600-9	N	ASSEMBLY	1	(779) MG2-A12-A2-J4 TO PP1-A11-J73
21	2354600-11	N	ASSEMBLY	1	(780) MG3-A3-J6 TO PP1-A11-J74
22	2354600-13	N	ASSEMBLY	1	(781) MG2-A12-A2-J5 TO PP1-A11-J75
23	2354600-15	N	ASSEMBLY	1	(782) MG2-A12-A2-J6 TO PP1-A11-J76
25	2357101-5	N	COLLECTOR	1	(715) MG2-A33-J1 TO PP1-J14
27	2371749-5	N	PART	1	(716) MG2-A11-J2 TO PP1-J89
29	2374702	N	CABLE	1	(784) MG6-J1 TO PP1-F5/F6
36	2328100-7	N	ASSEMBLY	1	(491) PP1-J80 TO MG3-A36-J7
37	2328100-9	N	ASSEMBLY	1	(492) PP1-J81 TO MG3-A36-J8
38	2328100-11	N	ASSEMBLY	1	(493) PP1-J82 TO MG3-A36-J9
52	2328100-23	N	ASSEMBLY	1	(1036) PP1-J84 TO MG3-A36-J6
53	2328100-25	N	ASSEMBLY	1	(1037) PP1-J6 TO MG3-A36-J1
54	2328100-27	N	ASSEMBLY	1	(1038) PP1-J7 TO MG3-A36-J2
55	2328100-29	N	ASSEMBLY	1	(1039) PP1-J58 TO MG3-A36-J3
56	2328100-31	N	ASSEMBLY	1	(1040) PP1-J59 TO MG3-A36-J4
57	2329505-4	N	CABLE	1	(1041) MG3A36-J10 TO PP1-J78
58	2371749-9	N	PART	1	(1042) MG3-A36-J5 TO PP1-J77
60	2377248-3	N	CABLE	1	(1057) MG3-A8-J1 TO PP1-J85 UTNS
61	2377705	N	CABLE	1	(1054) SRI II TO CROSS POINT

Twin EXCITE 11.x MGNT RM CBLs "B" 2379497-5 FRU N

(PART 1 OF 2375450-5 PAGE 1-80)

Item	Part Number	FRU	Name	Quantity	Description (Remarks)
8	2328100-37	N	CABLE	1	(262) PP1-J8 TO MG3-A3-A5-OUT
9	2363001	N	ASSEMBLY	1	(282) MG3-A2-J6 TO PP1-J12
11	46-271693G1	N	CABLE ASM	1	(297) EMERGENCY OFF SW TO PP1-J18
12	2354601	N	ASSEMBLY	1	(318) MG3-A7 TO PP1-J11
15	2363002-3	N	ASSEMBLY	1	(387) MG2-A29-J1 TO PP1-J47
19	2354600-7	N	ASSEMBLY	1	(778) MG2-A12-A2-J3 TO PP1-A11-J72
20	2354600-9	N	ASSEMBLY	1	(779) MG2-A12-A2-J4 TO PP1-A11-J73
21	2354600-11	N	ASSEMBLY	1	(780) MG3-A3-J6 TO PP1-A11-J74
22	2354600-13	N	ASSEMBLY	1	(781) MG2-A12-A2-J5 TO PP1-A11-J75
23	2354600-15	N	ASSEMBLY	1	(782) MG2-A12-A2-J6 TO PP1-A11-J76
25	2357101-5	N	COLLECTOR	1	(715) MG2-A33-J1 TO PP1-J14
27	2371749-5	N	PART	1	(716) MG2-A11-J2 TO PP1-J89
29	2374702	N	CABLE	1	(784) MG6-J1 TO PP1-F5/F6
36	2328100-7	N	ASSEMBLY	1	(491) PP1-J80 TO MG3-A36-J7
37	2328100-9	N	ASSEMBLY	1	(492) PP1-J81 TO MG3-A36-J8
38	2328100-11	N	ASSEMBLY	1	(493) PP1-J82 TO MG3-A36-J9
52	2328100-23	N	ASSEMBLY	1	(1036) PP1-J84 TO MG3-A36-J6
53	2328100-25	N	ASSEMBLY	1	(1037) PP1-J6 TO MG3-A36-J1
54	2328100-27	N	ASSEMBLY	1	(1038) PP1-J7 TO MG3-A36-J2
55	2328100-29	N	ASSEMBLY	1	(1039) PP1-J58 TO MG3-A36-J3
56	2328100-31	N	ASSEMBLY	1	(1040) PP1-J59 TO MG3-A36-J4
57	2329505-4	N	CABLE	1	(1041) MG3A36-J10 TO PP1-J78
58	2371749-9	N	PART	1	(1042) MG3-A36-J5 TO PP1-J77
60	2377248-3	N	CABLE	1	(1057) MG3-A8-J1 TO PP1-J85 UTNS
61	2377705	N	CABLE	1	(1054) SRI II TO CROSS POINT

Twin EXCITE 11.x MGNT RM CBLs "C" 2379497-6 FRU N

(PART 1 OF 2375450-6 PAGE 1-80)

Item	Part Number	FRU	Name	Quantity	Description (Remarks)
8	2328100-38	N	CABLE	1	(262) PP1-J8 TO MG3-A3-A5-OUT
9	2363001-2	N	ASSEMBLY	1	(282) MG3-A2-J6 TO PPA-J12
11	46-271693G1	N	CABLE ASM	1	(297) EMERGENCY OFF SW TO PP1-J18
12	2354601-2	N	ASSEMBLY	1	(318) MG3-A7 TO PP1-J11
15	2363002-4	N	ASSEMBLY	1	(387) MG2-A29-J1 TO PP1-J47
19	2354600-8	N	ASSEMBLY	1	(778) MG2-A12-A2-J3 TO PP1-A11-J72
20	2354600-10	N	ASSEMBLY	1	(779) MG2-A12-A2-J4 TO PP1-A11-J73
21	2354600-12	N	ASSEMBLY	1	(780) MG3-A3-J6 TO PP1-A11-J74
22	2354600-14	N	ASSEMBLY	1	(781) MG2-A12-A2-J5 TO PP1-A11-J75
23	2354600-16	N	ASSEMBLY	1	(782) MG2-A12-A2-J6 TO PP1-A11-J76
25	2357101-6	N	COLLECTOR	1	(715) MG2-A33-J1 TO PP1-J14
27	2371749-6	N	PART	1	(716) MG2-A11-J2 TO PP1-J89
29	2374702-2	N	CABLE	1	(784) MG6-J1 TO PP1-F5/F6
36	2328100-8	N	ASSEMBLY	1	(491) PP1-J80 TO MG3-A36-J7
37	2328100-10	N	ASSEMBLY	1	(492) PP1-J81 TO MG3-A36-J8
38	2328100-12	N	ASSEMBLY	1	(493) PP1-J82 TO MG3-A36-J9
52	2328100-24	N	ASSEMBLY	1	(1036) PP1-J84 TO MG3-A36-J6
53	2328100-26	N	ASSEMBLY	1	(1037) PP1-J6 TO MG3-A36-J1
54	2328100-28	N	ASSEMBLY	1	(1038) PP1-J7 TO MG3-A36-J2
55	2328100-30	N	ASSEMBLY	1	(1039) PP1-J58 TO MG3-A36-J3
56	2328100-32	N	ASSEMBLY	1	(1040) PP1-J59 TO MG3-A36-J4
57	2329505-3	N	CABLE	1	(1041T)MG3A36-J10 TO PP1-J78
58	2371749-10	N	PART	1	(1042) MG3-A36-J5 TO PP1-J77
60	2377248-4	N	CABLE	1	(1057) MG3-A8-J1 TO PP1-J85 UTNS
61	2377705	N	CABLE	1	(1054) SRI II TO CROSS POINT

Twin EXCITE 11.x EQP RM CBLs "A" 2379498-4 FRU N

(PART 2 OF 2375450-4 PAGE 1-80)

Item	Part Number	FRU	Name	Quantity	Description (Remarks)
3	2371938	N	CABLE	1	(702) MR2-A11-J18 TO MR1-J5
4	2371939	N	CABLE	1	(703/971) MR2-A11-J23 TO PD1-A1-A2-
5	2328100-34	N	ASSEMBLY	1	(229) MR2-A11-J1 TO MR1-A7-J3 OR
6	2328100-35	N	ASSEMBLY	1	(231) MR2-A11-J2 TO PP1-J8
7	2328100-13	N	ASSEMBLY	1	(233/499) MR2-A11-J5 TO PP1-7 OR
10	46-271692G601	N	CABLE ASM	1	(296T) PP1-J18 TO FACILITIY DISCONN
13	2357101	N	COLLECTOR	1	(768) PP1-J20 TO MR1-A7-J31
14	2363002	N	ASSEMBLY	1	(771) PP1-J47 TO MR1-A7-J36
16	2354601-3	N	ASSEMBLY	1	(770) PP1-J11 TO MR1-A7-J41
17	2363001-3	N	ASSEMBLY	1	(769) PP1-J15 TO MR1-A7-J34
18	2374701-3	N	CABLE	1	(774) MR2-A11-J25 TO MR1-A7-J32
24	2357101-3	N	COLLECTOR	1	(772) PP1-J14 TO MR1-A7-J40
26	2371749	N	PART	1	(773) PP1-A17-J1 TO MR1-A7-J35
28	2123533	N	POWER CABLE	1	(783) MR1-A7-J37 TO PP1-F5/F6, 30'
30	2354600	N	ASSEMBLY	1	(777) MR1-A7-J43 TO PP1-A11-J94
31	2354600-3	N	ASSEMBLY	1	(776) MR1-A7-J44 TO PP1-A11-J93
32	2354600-5	N	ASSEMBLY	1	(775) MR1-A7-J42 TO PP1-A11-J92
33	2328100	N	CABLE	1	(488) MR2-A11-J8 TO PP1-J80
34	2328100-3	N	ASSEMBLY	1	(489) MR2-A11-J9 TO PP1-J81
35	2328100-5	N	ASSEMBLY	1	(490) MR2-A11-J10 TO PP1-J82
42	2354601-11	N	ASSEMBLY	1	(974) MR3CABI/F-J5 TO TAC-J12
43	2374698	N	CABLE	3	(988) TAC-GND TO PP1-A7-GND
44	2288898-2	N	CABLE	1	(992M) TAC J2 TO TSCC J3
45	2315915	N	CABLE PT	1	MR3GP-J16 TO MR3PDU-J4 ACGD/PDU
46	2328100-15	N	ASSEMBLY	1	(1025) MR2-A11-J40 TO PP1-J6
47	2328100-17	N	ASSEMBLY	1	(1026) MR2-A11-J41 TO PP1-J7
48	2328100-19	N	ASSEMBLY	1	(1027) MR2-A11-J42 TO PP1-J58
49	2328100-21	N	ASSEMBLY	1	(1028) MR2-A11-J43 TO PP1-J59
50	2371749-7	N	PART	1	(1029) PP1-J77 TO M2-A11-J62
51	2357101-7	N	COLLECTOR	1	(1030) PP1-J78 TO MR2-A11-J61
60	2377248	N	CABLE	1	(1053) PP1-J85 TO MG3-A8-J1

Twin EXCITE 11.x EQP RM CBLs "B" 2379498-5 FRU N

(PART 2 OF 2375450-5 PAGE 1-80)

Item	Part Number	FRU	Name	Quantity	Description (Remarks)
3	2371938	N	CABLE	1	(702) MR2-A11-J18 TO MR1-J5
4	2371939	N	CABLE	1	(703/971) MR2-A11-J23 TO PD1-A1-A2-
5	2328100-34	N	ASSEMBLY	1	(229) MR2-A11-J1 TO MR1-A7-J3 OR
6	2328100-36	N	ASSEMBLY	1	(231) MR2-A11-J2 TO PP1-J8
7	2328100-14	N	ASSEMBLY	1	(233/499) MR2-A11-J5 TO PP1-7 OR
10	46-271692G1	N	CABLE ASM	1	(296) FACILITY DISCONNECT TO PP1-J18
13	2357101-2	N	COLLECTOR	1	(768) PP1-J20 TO MR1-A7-J31
14	2363002-2	N	ASSEMBLY	1	(771) PP1-J47 TO MR1-A7-J36
16	2354601-4	N	ASSEMBLY	1	(770) PP1-J11 TO MR1-A7-J41
17	2363001-4	N	ASSEMBLY	1	(769) PP1-J15 TO MR1-A7-J34
18	2374701-3	N	CABLE	1	(774) MR2-A11-J25 TO MR1-A7-J32
24	2357101-4	N	COLLECTOR	1	(772) PP1-J14 TO MR1-A7-J40
26	2371749-2	N	PART	1	(773) PP1-A17-J1 TO MR1-A7-J35
28	2123533-4	N	CABLE	1	(783TR) MR1-A7-J37 TO PP1-F5/F6, 65'
30	2354600-2	N	ASSEMBLY	1	(777) MR1-A7-J43 TO PP1-A11-J94
31	2354600-4	N	ASSEMBLY	1	(776) MR1-A7-J44 TO PP1-A11-J93
32	2354600-6	N	ASSEMBLY	1	(775) MR1-A7-J42 TO PP1-A11-J92
33	2328100-2	N	ASSEMBLY	1	(488) MR2-A11-J8 TO PP1-J80
34	2328100-4	N	ASSEMBLY	1	(489) MR2-A11-J9 TO PP1-J81
35	2328100-6	N	ASSEMBLY	1	(490) MR2-A11-J10 TO PP1-J82
42	2354601-11	N	ASSEMBLY	1	(974) MR3CABI/F-J5 TO TAC-J12
43	2374698	N	CABLE	3	(988) TAC-GND TO PP1-A7-GND
44	2288898-2	N	CABLE	1	(992M) TAC J2 TO TSCC J3
45	2315915	N	CABLE PT	1	MR3GP-J16 TO MR3PDU-J4 ACGD/PDU
46	2328100-16	N	ASSEMBLY	1	(1025) MR2-A11-J40 TO PP1-J6
47	2328100-18	N	ASSEMBLY	1	(1026) MR2-A11-J41 TO PP1-J7
48	2328100-20	N	ASSEMBLY	1	(1027) MR2-A11-J42 TO PP1-J58
49	2328100-22	N	ASSEMBLY	1	(1028) MR2-A11-J43 TO PP1-J59
50	2371749-8	N	PART	1	(1029) PP1-J77 TO M2-A11-J62
51	2357101-8	N	COLLECTOR	1	(1030) PP1-J78 TO MR2-A11-J61
60	2377248-2	N	CABLE	1	(1053) MR2A11J54 TO PP1J85 UTNS

Twin EXCITE 11.x EQP RM CBLs "C" 2379498-6 FRU N

(PART 2 OF 2375450-6 PAGE 1-80)

Item	Part Number	FRU	Name	Quantity	Description (Remarks)
3	2371938	N	CABLE	1	(702) MR2-A11-J18 TO MR1-J5
4	2371939	N	CABLE	1	(703/971) MR2-A11-J23 TO PD1-A1-A2-
5	2328100-34	N	ASSEMBLY	1	(229) MR2-A11-J1 TO MR1-A7-J3 OR
6	2328100-35	N	ASSEMBLY	1	(231) MR2-A11-J2 TO PP1-J8
7	2328100-13	N	ASSEMBLY	1	(233/499) MR2-A11-J5 TO PP1-7 OR
10	46-271692G601	N	CABLE ASM	1	(296T) PP1-J18 TO FACILITIY DISCONN
13	2357101	N	COLLECTOR	1	(768) PP1-J20 TO MR1-A7-J31
14	2363002	N	ASSEMBLY	1	(771) PP1-J47 TO MR1-A7-J36
16	2354601-3	N	ASSEMBLY	1	(770) PP1-J11 TO MR1-A7-J41
17	2363001-3	N	ASSEMBLY	1	(769) PP1-J15 TO MR1-A7-J34
18	2374701-3	N	CABLE	1	(774) MR2-A11-J25 TO MR1-A7-J32
24	2357101-3	N	COLLECTOR	1	(772) PP1-J14 TO MR1-A7-J40
26	2371749	N	PART	1	(773) PP1-A17-J1 TO MR1-A7-J35
28	2123533	N	POWER CABLE	1	(783) MR1-A7-J37 TO PP1-F5/F6, 30'
30	2354600	N	ASSEMBLY	1	(777) MR1-A7-J43 TO PP1-A11-J94
31	2354600-3	N	ASSEMBLY	1	(776) MR1-A7-J44 TO PP1-A11-J93
32	2354600-5	N	ASSEMBLY	1	(775) MR1-A7-J42 TO PP1-A11-J92
33	2328100	N	CABLE	1	(488) MR2-A11-J8 TO PP1-J80
34	2328100-3	N	ASSEMBLY	1	(489) MR2-A11-J9 TO PP1-J81
35	2328100-5	N	ASSEMBLY	1	(490) MR2-A11-J10 TO PP1-J82
42	2354601-11	N	ASSEMBLY	1	(974) MR3CABI/F-J5 TO TAC-J12
43	2374698	N	CABLE	3	(988) TAC-GND TO PP1-A7-GND
44	2288898-2	N	CABLE	1	(992M) TAC J2 TO TSCC J3
45	2315915	N	CABLE PT	1	MR3GP-J16 TO MR3PDU-J4 ACGD/PDU
46	2328100-15	N	ASSEMBLY	1	(1025) MR2-A11-J40 TO PP1-J6
47	2328100-17	N	ASSEMBLY	1	(1026) MR2-A11-J41 TO PP1-J7
48	2328100-19	N	ASSEMBLY	1	(1027) MR2-A11-J42 TO PP1-J58
49	2328100-21	N	ASSEMBLY	1	(1028) MR2-A11-J43 TO PP1-J59
50	2371749-7	N	PART	1	(1029) PP1-J77 TO M2-A11-J62
51	2357101-7	N	COLLECTOR	1	(1030) PP1-J78 TO MR2-A11-J61
60	2377248	N	CABLE	1	(1053) PP1-J85 TO MG3-A8-J1

Twin EXCITE 11.x PDU CABLES – “A” 2375451-4 FRU N

(PART 2 OF M3143TD PAGE 1-79)

Item	Part Number	FRU	Name	Quantity	Description (Remarks)
1	2345401	N	CABLE	1.0	(037) MR2-A12-GND TO PD1-GND
2	46-320460G1	N	CABLE POWER	2.0	PDU OUTLET TO MAG/SHIM POWER SUPPLY
3	2371513	N	CABLE	1.0	(040) RF COM GRND STUD TO MS1
4	2345401-2	N	ASSEMBLY	1.0	(044) MR1-A7-GND TO PD1-GND
5	2345401-4	N	ASSEMBLY	1.0	(045) PP1-GND TO FAN MOD-GND
7	2371514	N	CABLE ASM	1.0	(966) MR1-A7-J1 TO MR3-PD1
8	2371514-2	N	CABLE ASM	1.0	(968) MR2-A12-J1 TO MR3-PD1
9	2370617	N	PART	1.0	(967) MR1-CB1 OR MR1-TS1 TO MR3-PD1
10	2371515-2	N	CABLE ASM	1.0	(1081) OW1-A19-J1 TO MR3-PD1
11	2345401-8	N	ASSEMBLY	1.0	(038) MR1-A7-GND TO PD1-A2-A2
12	2374699	N	CABLE	1.0	(989) TAC-J8 TO MR3-PD1

Twin EXCITE 11.x PDU CABLES – “B” 2375451-5 FRU N

(PART 2 OF M3144TD PAGE 1-79)

Item	Part Number	FRU	Name	Quantity	Description (Remarks)
1	2345401	N	CABLE	1.0	(037) MR2-A12-GND TO PD1-GND
2	46-320460G1	N	CABLE POWER	2.0	PDU OUTLET TO MAG/SHIM POWER SUPPLY
3	2371513	N	CABLE	1.0	(040) RF COM GRND STUD TO MS1
4	2345401-3	N	ASSEMBLY	1.0	(044) MR1-A7-GND TO PD1-GND
5	2345401-4	N	ASSEMBLY	1.0	(045) PP1-GND TO FAN MOD-GND
7	2371514	N	CABLE ASM	1.0	(966) MR1-A7-J1 TO MR3-PD1
8	2371514-2	N	CABLE ASM	1.0	(968) MR2-A12-J1 TO MR3-PD1
9	2370617	N	PART	1.0	(967) MR1-CB1 OR MR1-TS1 TO MR3-PD1
10	2371515-2	N	CABLE ASM	1.0	(1081) OW1-A19-J1 TO MR3-PD1
11	2345401-8	N	ASSEMBLY	1.0	(038) MR1-A7-GND TO PD1-A2-A2
12	2374699	N	CABLE	1.0	(989) TAC-J8 TO MR3-PD1

Twin EXCITE 11.x PDU CABLES – “C” 2375451-6 FRU N

(PART 2 OF M3145TD PAGE 1-79)

Item	Part Number	FRU	Name	Quantity	Description (Remarks)
1	2345401	N	CABLE	1.0	(037) MR2-A12-GND TO PD1-GND
2	46-320460G1	N	CABLE POWER	2.0	PDU OUTLET TO MAG/SHIM POWER SUPPLY
3	2371513-2	N	CABLE	1.0	(040) RF COM GRND STUD TO MS1
4	2345401-2	N	ASSEMBLY	1.0	(044) MR1-A7-GND TO PD1-GND
5	2345401-5	N	ASSEMBLY	1.0	(045) PP1-GND TO FAN MOD-GND
7	2371514	N	CABLE ASM	1.0	(966) MR1-A7-J1 TO MR3-PD1
8	2371514-2	N	CABLE ASM	1.0	(968) MR2-A12-J1 TO MR3-PD1
9	2370617	N	PART	1.0	(967) MR1-CB1 OR MR1-TS1 TO MR3-PD1
10	2371515-2	N	CABLE ASM	1.0	(1081) OW1-A19-J1 TO MR3-PD1
11	2345401-8	N	ASSEMBLY	1.0	(038) MR1-A7-GND TO PD1-A2-A2
12	2374699	N	CABLE	1.0	(989) TAC-J8 TO MR3-PD1

Twin EXCITE 11.x GRADIENT CBLS—"A"2375452-4 FRU N

(PART 3 OF M3143TD PAGE 1-79)

Item	Part Number	FRU	Name	Quantity	Description (Remarks)
1	2345400-10	N	CABLE	1	(979) PP1-A7-X TO (976) TACCAB-X
2	2345400-11	N	CABLE	1	(980) PP1-A7-Y TO (977) TACCAB-Y
3	2345400-12	N	CABLE	1	(981) PP1-A7-Z TO (978) TACCAB-Z
4	2345400-16	N	CABLE	1	(984) PP1-A7-X ZM
5	2345400-17	N	CABLE	1	(983) PP1-A7-Y ZM
6	2345400-18	N	CABLE	1	(982) PP1-A7-Z ZM
7	2345400-22	N	CABLE	1	(987) PP1-A7-X WB
8	2345400-23	N	CABLE	1	(986) PP1-A7-Y WB
9	2345400-24	N	CABLE	1	(985) PP1-A7-Z WB

Twin EXCITE 11.x GRADIENT CBLS—"B"2375452-5 FRU N

(PART 3 OF M3144TD PAGE 1-79)

Item	Part Number	FRU	Name	Quantity	Description (Remarks)
1	2345400-13	N	CABLE	1	(979) PP1-A7-X TO (976) TACCAB-X
2	2345400-14	N	CABLE	1	(980) PP1-A7-Y TO (977) TACCAB-Y
3	2345400-15	N	CABLE	1	(981) PP1-A7-Z TO (978) TACCAB-Z
4	2345400-16	N	CABLE	1	(984) PP1-A7-X ZM
5	2345400-17	N	CABLE	1	(983) PP1-A7-Y ZM
6	2345400-18	N	CABLE	1	(982) PP1-A7-Z ZM
7	2345400-22	N	CABLE	1	(987) PP1-A7-X WB
8	2345400-23	N	CABLE	1	(986) PP1-A7-Y WB
9	2345400-24	N	CABLE	1	(985) PP1-A7-Z WB

Twin EXCITE 11.x GRADIENT CBLS—"C"2375452-6 FRU N

(PART 3 OF M3145TD PAGE 1-79)

Item	Part Number	FRU	Name	Quantity	Description (Remarks)
1	2345400-10	N	CABLE	1.0	(979) PP1-A7-X TO (976) TACCAB-X
2	2345400-11	N	CABLE	1.0	(980) PP1-A7-Y TO (977) TACCAB-Y
3	2345400-12	N	CABLE	1.0	(981) PP1-A7-Z TO (978) TACCAB-Z
4	2345400-19	N	CABLE	1.0	(984) PP1-A7-X ZM
5	2345400-20	N	CABLE	1.0	(983) PP1-A7-Y ZM
6	2345400-21	N	CABLE	1.0	(982) PP1-A7-Z ZM
7	2345400-25	N	CABLE	1.0	(987) PP1-A7-X WB
8	2345400-26	N	CABLE	1.0	(986) PP1-A7-Y WB
9	2345400-27	N	CABLE	1.0	(985) PP1-A7-Z WB

1-12 MAIN DISCONNECT PANEL

TWIN MAIN DISCONNECT PANEL

M3088TH



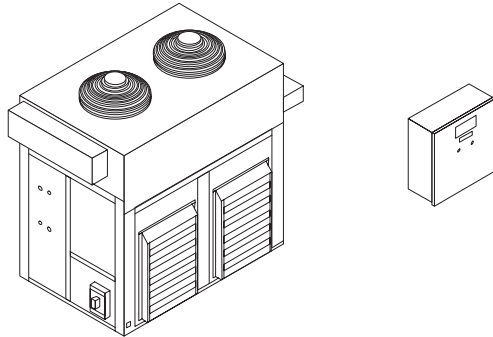
CATALOG M3088TH FRU N TWIN MAIN DISCONNECT PANEL

Item	Part Number	FRU	Name	Quantity	Description (Remarks)
2	2283959	N	PANEL	1	TWIN/TRM MAIN DISCONNECT PANEL (SEE VENDOR MANUAL)
	2276547-2	1	FUSE		MAIN DISCONNECT PANEL 380, 480 FUSE F1
	2276547-3	1	FUSE		MAIN DISCONNECT PANEL 120 FUSE F2
	2276547-4	1	FUSE		MAIN DISCONNECT PANEL 480 FUSE F7
	2276547-5	1	FUSE		MAIN DISCONNECT PANEL 120 FUSE F3
	2276547-6	1	FUSE		MAIN DISCONNECT PANEL 480 FUSE F4
	2276547-7	1	FUSE		MAIN DISCONNECT PANEL 200 FUSE F4
	2276547-8	1	FUSE		MAIN DISCONNECT PANEL 12VDC FUSE F5
	2276547-9	1	FUSE		MAIN DISCONNECT PANEL 480 FUSE F6
	2276547-10	1	FUSE		MAIN DISCONNECT PANEL 480 FUSE F8
	2276547-11	1	FUSE		MAIN DISCONNECT PANEL 120 FUSE F10/F11
	2276547-12	1	FUSE		MAIN DISCONNECT PANEL 480 FUSE F9
	2276547-13	1	FUSE		MAIN DISCONNECT PANEL 120 FUSE F12
	2276547-14	1	FUSE		MAIN DISCONNECT PANEL 12DC BATTERY
	2276547-15	1	FUSE		MAIN DISCONNECT PANEL 90A 600VAC FUSE
	2276547-16	1	FUSE		MAIN DISCONNECT PANEL UL544/CE 12VDC BATTERY

1-13 TwinSpeed COOLING CABINETS

OUTDOOR AIR COOLED TSCC

M3088TA

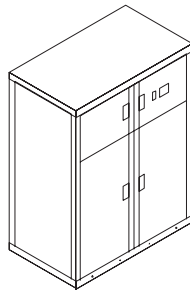


CATALOG M3088TA FRU N OUTDOOR AIR COOLED TSCC

Item	Part Number	FRU	Name	Quantity	Description (Remarks)
3	2281346-2	N	CABINET NMR	1	TWIN SYSTEMS COOLING CABINET (TSCC) (SEE VENDOR MANUAL)

INDOOR WATER COOLED TSCC

M3088TB

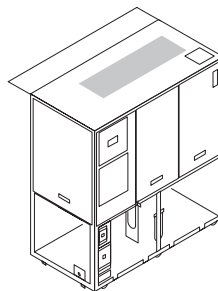


CATALOG M3088TB FRU N INDOOR WATER COOLED TSCC

Item	Part Number	FRU	Name	Quantity	Description (Remarks)
3	2281346	N	CABINET NMR	1	TWIN SYSTEMS COOLING CABINET (TSCC) (SEE VENDOR MANUAL)

INDOOR AIR COOLED TSCC

M3088TC

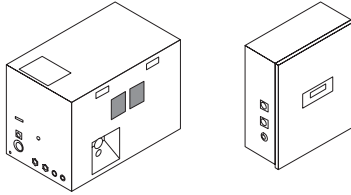


CATALOG M3088TC FRU N INDOOR AIR COOLED TSCC

Item	Part Number	FRU	Name	Quantity	Description (Remarks)
3	2281346-3	N	CABINET NMR	1	TWIN SYSTEMS COOLING CABINET (TSCC) (SEE VENDOR MANUAL)

INDOOR WATER COOLED TGWC

M3088TE



CATALOG

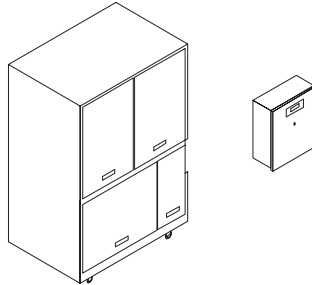
M3088TE FRU N

INDOOR WATER COOLED TGWC

Item	Part Number	FRU	Name	Quantity	Description (Remarks)
2	2298100	N	CHILLER	1	TWIN GRADIENT WATER CHILLER – WATER (SEE VENDOR MANUAL)
3	2333825	1	SENSOR ASM	1	WATER FLOW (TURBINE)/TEMP SENSOR ASM

OUTDOOR AIR COOLED TGWC

M3088TF



CATALOG

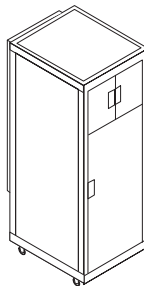
M3088TF FRU N

OUTDOOR AIR COOLED TGWC

Item	Part Number	FRU	Name	Quantity	Description (Remarks)
2	2298100-2	N	CHILLER	1	TWIN GRAD WATER CHILLER – OUTDOOR (SEE VENDOR MANUAL)
3	2333825	1	SENSOR ASM	1	WATER FLOW (TURBINE)/TEMP SENSOR ASM

INDOOR AIR COOLED TGWC

M3088TG



CATALOG

M3088TG FRU N

INDOOR AIR COOLED TGWC

Item	Part Number	FRU	Name	Quantity	Description (Remarks)
2	2298100-3	N	CHILLER	1	TWIN GRAD WATER CHILLER-INDOOR (SEE VENDOR MANUAL)
3	2333825	1	SENSOR ASM	1	WATER FLOW (TURBINE)/TEMP SENSOR ASM

MR MOBILE KIT

2327699 FRU N

(PART 73 OF 2322678 PAGE 1-91)

(PART 73 OF 2322678-2 PAGE 1-91)

Item	Part Number	FRU	Name	Quantity	Description (Remarks)
2	2316656	N	PLATE	1	PLATE, MONITOR ADAPTER
3	2318499	N	PART	1	PIVOTHEAD BASE/HEAD 0/90 TILT
4	2318497	N	STAND	1	EXPRESS SERIES MNT FLAT BASE PLT_9"
5	2276109	N	DRAWER	2	LOCKING MULTI-MEDIA DRAWER
6	46-328422P23	N	SCREW	3	SCREW COUNTERSUNK HEA M6 X 10 MM
7	2109880-3	N	WASHER	3	WASHER LOCK - SPRING 6.1 MM 11.8 MM
8	46-328426P2	N	NUT	3	NUT HEXAGON_THIN 6 MM
9	2204492	N	BRACKET	1	OCTANE MOBILE MOUNTING BRACKET
10	2296617-2	N	MONITOR	1	12.1" MONITOR MOBILE BASE
11	2363733	2	BRACKET	1	MONITOR BASE FOR MOBILE W/HARDWARE (SEE PG 1-92)
13	2135839-3	2	OUT OF CATAL	6.0	T&B G2-12 TERMINAL, 1/2" RING, 2 AWG

EXCITE 11.X MR MOBILE KIT

2327699-3 FRU N

(PART 73 OF 2322678-5 PAGE 1-91)

(PART 73 OF 2322678-6 PAGE 1-91)

Item	Part Number	FRU	Name	Quantity	Description (Remarks)
2	5129339	N	PDM PART	2.0	PLATE, ADAPTER 15 INCH LCD MONITOR M
3	2318499	N	OUT OF CATAL	2.0	PIVOTHEAD BASE/HEAD 0/90 TILT
4	2318497	N	OUT OF CATAL	2.0	EXPRESS SERIES MNT FLAT BASE PLT_9"
5	2276109	N	OUT OF CATAL	2.0	LOCKING MULTI-MEDIA DRAWER
6	2109874-20	N	PDM PART	6.0	SCREW COUNTERSUNK HEA 6 MM 16 MM
7	2109880-3	N	PDM PART	6.0	WASHER LOCK - SPRING 6.1 MM 11.8 MM
8	46-328426P2	N	PDM PART	6.0	NUT HEXAGON_THIN 6 MM
12	2315260	N	BRACKET	1.0	BRACKET
13	2135839-3	2	OUT OF CATAL	6.0	T&B G2-12 TERMINAL, 1/2" RING, 2 AWG

MOBILE MONITOR BASE w/HARDWARE 2363733 FRU 1

(PART OF 2327699 PAGE 1-92)

(PART OF 2214269 PAGE 1-173)

Item	Part Number	FRU	Name	Quantity	Description (Remarks)
1	2362638	N	PART	1	MONITOR ADAPTOR PLATE FOR MOBILE
2	46-220203P25	N	SCREW	3	SCREW
3	46-252635P6	N	STN STL WASH	3	#10 STN STL, PLAIN FLAT WASHER
4	46-208938P5	N	NUT	3	10-32, 3/8" HEX X .130 THK, 18-8 SST

1-16 SYSTEM ACCESSORIES AND PHANTOMS

5.x 1.5T SYSTEM ACCESSORIES 46-244813G25 FRU N

(PART OF M1000MA PAGE 1-3)
 (PART OF M1000MB PAGE 1-3)
 (PART OF M1000MC PAGE 1-3)
 (PART OF M1000MD PAGE 1-3)
 (PART OF M1000ME PAGE 1-3)
 (PART OF M1000MF PAGE 1-4)

Item	Part Number	FRU	Name	Quantity	Description (Remarks)
2	46-317999G2	N	PPG ACESSORY	1	PPG ACCESSORIES KIT (SEE PAGE 1-114)
3	46-306635P4	N	CHAIR	1	USE E8803BD AS REPLACEMENT OC CHAIR
10	46-306574P7	2	PAD	2	GRAY RECTANGULAR PAD, 0.5"X9"X 14.5"
11	46-306574P8	2	PAD	2	GRAY RECTANGULAR PAD, 1"X 9" X 14.5"
12	46-306574P9	2	PAD	2	GRAY RECTANGULAR PAD, 0.5"X 9" X 36"
13	46-306574P10	2	PAD	2	GRAY RECTANGULAR PAD, 1.0"X 9" X 36"
14	46-328263P1	2	CUSHION	2	BODY COIL SPACER, NYLON COVERED FOAM
313	46-306572G1	N	POSITION KT	1	PATIENT POSITIONING KIT (E8802P)
314	46-306594P1	N	WIDE STRAP	1	ORDER E8802MC FOR REPLACEMENT STRAP
315	46-306593P1	N	NARROW STRAP	1	ORDER E8802MD FOR REPLACEMENT STRAP
327	46-258172G1	N	LOGBOOK	2	ORDER E8807AA FOR PATIENT LOG BOOKS
330	46-265679G1	N	BELLOWS ASM	1	ORDER E8811ED WHEN REPLACING
339	46-306578P1	N	HEAD CUSHION	1	ORDER E88101ME FOR REPLACEMENT PAD
340	46-306570G1	N	HD RESTRAINT	1	HEAD COIL RESTRAINT/PAD SET (E8801M)
344	46-265845G1	N	FASTENER KIT	1	ORDER E8811EB FOR REPLACEMENT KIT (SEE PAGE 1-114)
352A	2219452	N	ECG LEADWIRE	1	HIGH IMPEDANCE ECG LEAD KIT
352B	46-320609G1	N	CABLE KIT	ALT	CARDIAC GATING PAC CABLE & LEAD SET
354	2148308-2	1	PART	1	QUICK DISCONNECT W/RESONANT SHIELD
355	46-282468G1	1	COIL ADAPTER	1	COIL ADAPTER, MG2 A16 A6 (EXTREMITY)
356	46-282468G2	1	COIL ADAPTER	1	COIL ADAPTER, MG2 A16 A6 (SURFACE) (SEE PAGE 1-114)
357	46-317752G28	N	DAT S/W SET	1	M4 S/W FOR 5.8Z W Y2K UPD
359	46-287416G1	2	TUNER BD ASM	1	HEAD COIL TUNING RING
370	46-301927G1	N	TPS RF I/F	1	TPS RF SERVICE INTERFACE KIT W/CASE (SEE PAGE 1-114)
371	46-306582P2	N	CUSHION	1	ORDER E8802MG FOR NEW CRADLE PAD
401	46-282079G1	N	HC HOLDR ASM	1	QUAD HEAD COIL HOLDER ASM (SEE PAGE 1-111)
402	46-282118G2	1	HEAD COIL	1	1.5T QUAD HEAD COIL, MG2 A16 A2 (SEE PAGE 1-106)
450	46-317758P1	N	ALERT SYSTEM	1	PNEUMATIC PATIENT ALERT SYSTEM (SEE PAGE 1-115)
451	46-320932G1	1	MR VX	1	MR VX OPTION KEY
453	2134337	N	KIT OF PARTS	1	PHANTOM KIT (SEE PAGE 1-100)
454	2133388	N	PHANTOM KIT	1	SPT PHANTOM CART KIT (SEE PAGE 1-102)

LX 1.5T SYSTEM ACCESSORIES 46-244813G27 FRU N (PART OF M1000 SERIES PAGES PAGE 1-10 THRU 1-42)

Item	Part Number	FRU	Name	Quantity	Description (Remarks)
2	46-317999G2	N	PPG ACESSORY	1	PPG ACCESSORIES KIT (SEE PAGE 1-114)
10	46-306574P7	2	PAD	2	GRAY RECTANGULAR PAD, 0.5"X9"X 14.5"
11	46-306574P8	2	PAD	2	GRAY RECTANGULAR PAD, 1"X 9" X 14.5"
12	46-306574P9	2	PAD	2	GRAY RECTANGULAR PAD, 0.5"X 9" X 36"
13	46-306574P10	2	PAD	2	GRAY RECTANGULAR PAD, 1.0"X 9" X 36"
14	46-328263P1	2	CUSHION	2	BODY COIL SPACER, NYLON COVERED FOAM
313	46-306572G1	N	POSITION KT	1	PATIENT POSITIONING KIT (E8802P)
314	46-306594P1	N	WIDE STRAP	1	ORDER E8802MC FOR REPLACEMENT STRAP
315	46-306593P1	N	NARROW STRAP	1	ORDER E8802MD FOR REPLACEMENT STRAP
327	46-258172G1	N	LOGBOOK	2	ORDER E8807AA FOR PATIENT LOG BOOKS
330	46-265161P2	N	PNEUMO CH AS	1	PNEUMO CHEST ASM W/LONGER TUBE;ORDER
339	46-306578P1	N	HEAD CUSHION	1	ORDER E88101ME FOR REPLACEMENT PAD
340	46-306570G1	N	HD RESTRAINT	1	HEAD COIL RESTRAINT/PAD SET (E8801M)
344	46-265845G1	N	FASTENER KIT	1	ORDER E8811EB FOR REPLACEMENT KIT
352A	2219452	N	ECG LEADWIRE	1	HIGH IMPEDANCE ECG LEAD KIT
352B	46-320609G1	N	CABLE KIT	ALT	CARDIAC GATING PAC CABLE & LEAD SET
354	2148308-2	1	PART	1	QUICK DISCONNECT W/RESONANT SHIELD
355	46-282468G1	1	COIL ADAPTER	1	COIL ADAPTER, MG2 A16 A6 (EXTREMITY)
356	46-282468G2	1	COIL ADAPTER	1	COIL ADAPTER, MG2 A16 A6 (SURFACE)
359	46-287416G1	2	TUNER BD ASM	1	HEAD COIL TUNING RING
370	46-301927G1	2	TPS RF I/F	1	TPS RF SERVICE INTERFACE KIT W/CASE
371	46-306582P2	N	CUSHION	1	ORDER E8802MG FOR NEW CRADLE PAD
401	46-282079G1	N	HC HOLDR ASM	1	QUADRATURE HEAD COIL HOLDER ASM (SEE PAGE 1-111)
402A	2366960	N	COLLECTOR	1.0	1.5T SPLIT HEAD COIL/PHANTOM COLLECTOR (SEE PAGE
402B	46-282118G2	1	HEAD COIL	1	1.5T QUAD HEAD COIL, MG2 A16 A2 (SEE PAGE 1-106)
450	46-317758P1	N	ALERT SYSTEM	1	PNEUMATIC PATIENT ALERT SYSTEM (SEE PAGE 1-115)
453	2134337	N	KIT OF PARTS	1	PHANTOM KIT (SEE PAGE 1-100)

LX CV 1.5T SYSTEM ACCESSORIES 46-244813G30 FRU N

(PART 1 OF M1000WH PAGE 1-32)
 (PART 1 OF M1000WY PAGE 1-39)
 (PART 1 OF M1000ZK PAGE 1-42)
 (PART 1 OF M1000ZS PAGE 1-42)

Item	Part Number	FRU	Name	Quantity	Description (Remarks)
2	46-317999G2	N	PPG ACESSORY	1	PPG ACCESSORIES KIT (SEE PAGE 1-114)
10	46-306574P7	2	PAD	2	GRAY RECTANGULAR PAD, 0.5"X9"X 14.5"
11	46-306574P8	2	PAD	2	GRAY RECTANGULAR PAD, 1"X 9" X 14.5"
12	46-306574P9	2	PAD	2	GRAY RECTANGULAR PAD, 0.5"X 9" X 36"
13	46-306574P10	2	PAD	2	GRAY RECTANGULAR PAD, 1.0"X 9" X 36"
14	46-328263P1	2	CUSHION	2	BODY COIL SPACER, NYLON COVERED FOAM
313	46-306572G1	N	POSITION KT	1	PATIENT POSITIONING KIT (E8802P)
314	46-306594P1	N	WIDE STRAP	1	ORDER E8802MC FOR REPLACEMENT STRAP
315	46-306593P1	N	NARROW STRAP	1	ORDER E8802MD FOR REPLACEMENT STRAP
327	46-258172G1	N	LOGBOOK	2	ORDER E8807AA FOR PATIENT LOG BOOKS
330	46-265161P2	N	PNEUMO CH AS	1	PNEUMO CHEST ASM W/LONGER TUBE;ORDER
339	46-306578P1	N	HEAD CUSHION	1	ORDER E88101ME FOR REPLACEMENT PAD
340	46-306570G1	N	HD RESTRAINT	1	HEAD COIL RESTRAINT/PAD SET (E8801M)
344	46-265845G1	N	FASTENER KIT	1	ORDER E8811EB FOR REPLACEMENT KIT
352	2219452	N	ECG LEADWIRE	1	HIGH IMPEDANCE ECG LEAD KIT (SEE PAGE 1-114)
354	2148308-2	1	PART	1	QUICK DISCONNECT W/RESONANT SHIELD
355	46-282468G1	1	COIL ADAPTER	1	COIL ADAPTER, MG2 A16 A6 (EXTREMITY)
356	46-282468G2	1	COIL ADAPTER	1	COIL ADAPTER, MG2 A16 A6 (SURFACE)
359	46-287416G1	2	TUNER BD ASM	1	HEAD COIL TUNING RING
370	46-301927G1	N	TPS RF I/F	1	TPS RF SERVICE INTERFACE KIT W/CASE (SEE PAGE 1-114)
371	46-306582P2	N	CUSHION	1	ORDER E8802MG FOR NEW CRADLE PAD
401	46-282079G1	N	HC HOLDR ASM	1	QUADRATURE HEAD COIL HOLDER ASM (SEE PAGE 1-111)
402	46-282118G202	1	QUAD HC ASM	1	CRM QUAD HEAD COIL (SEE PAGE 1-106)
450	46-317758P1	N	ALERT SYSTEM	1	PNEUMATIC PATIENT ALERT SYSTEM (SEE PAGE 1-115)
453	2134337	N	KIT OF PARTS	1	PHANTOM KIT (SEE PAGE 1-100)

5.x 1.0T SYSTEM ACCESSORIES 46-244813G65 FRU N

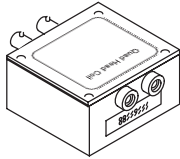
(PART OF M1800MA PAGE 1-6)
 (PART OF M1800MB PAGE 1-6)
 (PART OF M1800MC PAGE 1-6)
 (PART OF M1800MD PAGE 1-6)

Item	Part Number	FRU	Name	Quantity	Description (Remarks)
2	46-317999G2	N	PPG ACESSORY	1	PPG ACCESSORIES KIT (SEE PAGE 1-114)
3	46-306635P4	N	CHAIR	1	USE E8803BD AS REPLACEMENT OC CHAIR
313	46-306572G1	N	POSITION KT	1	PATIENT POSITIONING KIT (E8802P)
314	46-306594P1	N	WIDE STRAP	1	ORDER E8802MC FOR REPLACEMENT STRAP
315	46-306593P1	N	NARROW STRAP	1	ORDER E8802MD FOR REPLACEMENT STRAP
327	46-258172G1	N	LOGBOOK	2	ORDER E8807AA FOR PATIENT LOG BOOKS
330	46-265679G1	N	BELLOWS ASM	1	ORDER E8811ED WHEN REPLACING
339	46-306578P1	N	HEAD CUSHION	1	ORDER E88101ME FOR REPLACEMENT PAD
340	46-306570G1	N	HD RESTRAINT	1	HEAD COIL RESTRAINT/PAD SET (E8801M)
344	46-265845G1	N	FASTENER KIT	1	ORDER E8811EB FOR REPLACEMENT KIT
352A	2219452	N	ECG LEADWIRE	1	HIGH IMPEDANCE ECG LEAD KIT (SEE PAGE 1-114)
352B	46-320609G1	N	CABLE KIT	ALT	CARDIAC GATING PAC CABLE & LEAD SET (SEE PAGE 1-114)
354	2148308	1	PART	1	QUICK DISCONNECT W/RESONANT SHIELD
355	46-317221G36	1	COIL ADAPTER	1	1.0T QUAD EXTREMITY COIL, NORMAL
356	46-317222G6	1	COIL ADAPTER	1	1.0T SURFACE COIL, NORMAL FIELD
357	46-317752G28	N	DAT S/W SET	1	M4 S/W FOR 5.8Z W Y2K UPDATE (SEE PAGE 1-114)
370	46-301927G1	2	TPS RF I/F	1	TPS RF SERVICE INTERFACE KIT W/CASE (SEE PAGE 1-114)
371	46-306582P2	N	CUSHION	1	ORDER E8802MG FOR NEW CRADLE PAD
401	46-282079G1	2	HC HOLDR ASM	1	QUADRATURE HEAD COIL HOLDER ASM (SEE PAGE 1-111)
402	46-282118G6	1	QUAD HC ASM	1	1.0T HEAD COIL, MG2 A16 A2 (SEE PAGE 1-108)
450	46-317758P1	2	ALERT SYSTEM	1	PNEUMATIC PATIENT ALERT SYSTEM (SEE PAGE 1-115)
451	46-320932G1	1	MR VX	1	MR VX OPTION KEY
453	2134337	N	KIT OF PARTS	1	PHANTOM KIT (SEE PAGE 1-100)
454	2133388	N	PHANTOM KIT	1	SPT PHANTOM CART KIT (SEE PAGE 1-102)

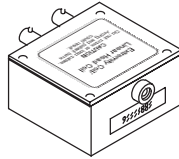
LX 1.0T SYSTEM ACCESSORIES 46-244813G67 FRU N (PART OF M1800 SERIES PAGES 1-13 THRU 1-46)

Item	Part Number	FRU	Name	Quantity	Description (Remarks)
2	46-317999G2	N	PPG ACESSORY	1	PPG ACCESSORIES KIT (SEE PAGE 1-114)
313	46-306572G1	N	POSITION KT	1	PATIENT POSITIONING KIT (E8802P)
314	46-306594P1	N	WIDE STRAP	1	ORDER E8802MC FOR REPLACEMENT STRAP
315	46-306593P1	N	NARROW STRAP	1	ORDER E8802MD FOR REPLACEMENT STRAP
327	46-258172G1	N	LOGBOOK	2	ORDER E8807AA FOR PATIENT LOG BOOKS
330	46-265161P2	N	PNEUMO CH AS	1.0	PNEUMO CHEST ASM W/LONGER TUBE;ORDER
339	46-306578P1	N	HEAD CUSHION	1	ORDER E88101ME FOR REPLACEMENT PAD
340	46-306570G1	N	HD RESTRAINT	1	HEAD COIL RESTRAINT/PAD SET (E8801M)
344	46-265845G1	N	FASTENER KIT	1	ORDER E8811EB FOR REPLACEMENT KIT
352A	2219452	N	ECG LEADWIRE	1	HIGH IMPEDANCE ECG LEAD KIT (SEE PAGE 1-114)
352B	46-320609G1	N	CABLE KIT	ALT	CARDIAC GATING PAC CABLE & LEAD SET (SEE PAGE 1-114)
354	2148308	1	PART	1	QUICK DISCONNECT W/RESONANT SHIELD
355	46-317221G36	1	COIL ADAPTER	1	1.0T QUAD EXTREMITY COIL, NORMAL
356	46-317222G6	1	COIL ADAPTER	1	1.0T SURFACE COIL, NORMAL FIELD
370	46-301927G1	2	TPS RF I/F	1	TPS RF SERVICE INTERFACE KIT W/CASE (SEE PAGE 1-114)
371	46-306582P2	N	CUSHION	1	ORDER E8802MG FOR NEW CRADLE PAD
401	46-282079G1	2	HC HOLDR ASM	1	QUADRATURE HEAD COIL HOLDER ASM (SEE PAGE 1-111)
402	46-282118G6	1	QUAD HC ASM	1	1.0T HEAD COIL, MG2 A16 A2 (SEE PAGE 1-108)
450	46-317758P1	2	ALERT SYSTEM	1	PNEUMATIC PATIENT ALERT SYSTEM (SEE PAGE 1-115)
453	2134337	N	KIT OF PARTS	1	PHANTOM KIT (SEE PAGE 1-100)

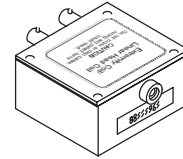
COIL ADAPTERS



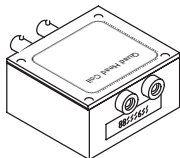
HEAD COIL
QUICK DISCONNECT
(NORMAL POLARITY)
2148308 (1.0T)



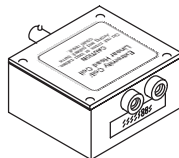
HEAD COIL
QUICK DISCONNECT
(NORMAL POLARITY)
2148308-2 (1.5T)



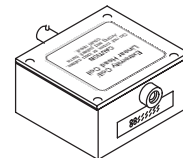
HEAD COIL
QUICK DISCONNECT
(REVERSE POLARITY)
2148308-3 (1.5T)



EXTREMITY COIL ADAPTER
(NORMAL POLARITY)
46-317221G36 (1.0T)



SURFACE COIL ADAPTER
(NORMAL POLARITY)
46-317222G6 (1.0T)



1.5T EXTREMITY COIL ADAPTER
46-282468G1
1.5T SURFACE COIL ADAPTER
46-282468G2

PHANTOM KIT

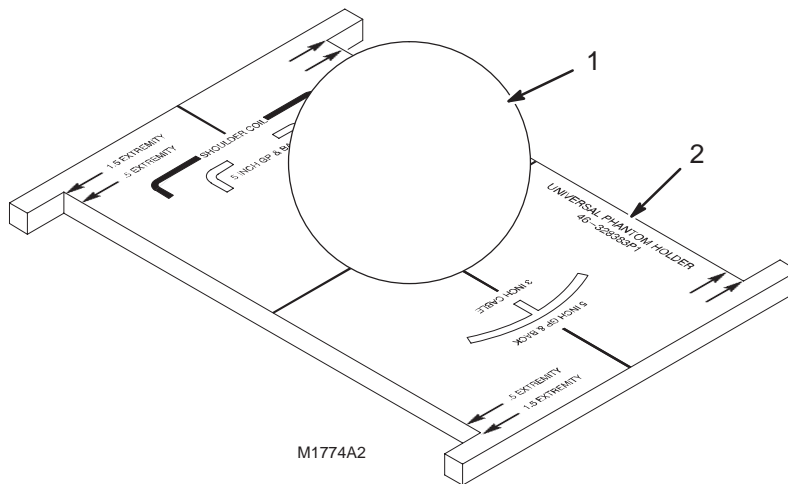
2134337 FRU N

- (PART OF 46-244813G25 PAGE 1-93)
- (PART OF 46-244813G27 PAGE 1-94)
- (PART OF 46-244813G30 PAGE 1-95)
- (PART OF 46-244813G65 PAGE 1-96)
- (PART OF 46-244813G67 PAGE 1-97)
- (PART 14 OF M3000AB PAGE 1-49)
- (PART 14 OF M3000AC PAGE 1-49)
- (PART 14 OF M3000AD PAGE 1-49)
- (PART 14 OF M3000AE PAGE 1-49)
- (PART 14 OF M3000DB PAGE 1-60)
- (PART 14 OF M3000DC PAGE 1-60)
- (PART 14 OF M3000DD PAGE 1-60)
- (PART 14 OF M3000TD PAGE 1-76)

Item	Part Number	FRU	Name	Quantity	Description (Remarks)
2	46-287900G3	N	HEAD PHANTOM	1	LOADER WITH HEAD TLT SPHERE (SEE PAGE 1-101)
3	46-287903G3	N	BODY PHANTOM	1	BODY TLT SPHERE AND LOADER (SEE PAGE 1-101)
4	46-271410G1	2	BASE PLATE	1	GRAFIDY2 PHANTOM HOLDER BASE PLATE
5	46-328480G1	N	PHAN. KIT	1	4.38" PHANTOM W/POSITIONER PAD (SEE PAGE 1-100)

PHANTOM WITH POSITIONER PAD

46-328480G1



PHANTOM KIT

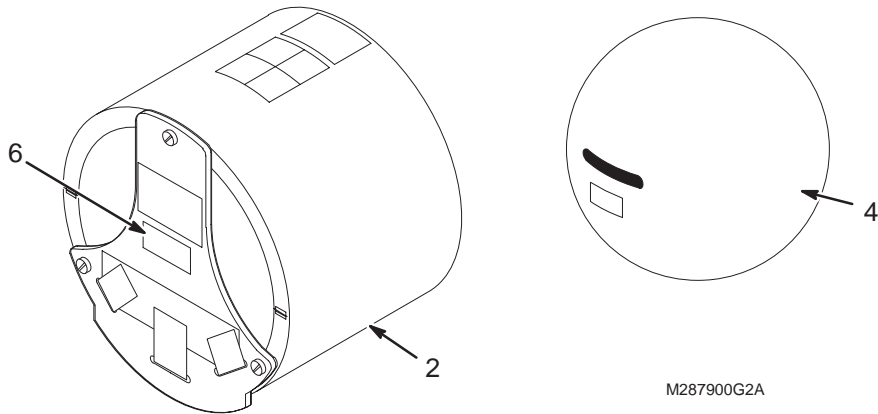
46-328480G1 FRU N

(PART OF 2134337 PAGE 1-100)

Item	Part Number	FRU	Name	Quantity	Description (Remarks)
1	46-317586G1	1	SPHERE W/SOL	1	4.38", SURFACE COIL, NICKEL CHLORIDE
2	46-328383P1	2	PAD	1	UNIVERSAL PHANTOM HOLDER

HEAD PHANTOM

46-287900G3



HEAD PHANTOM

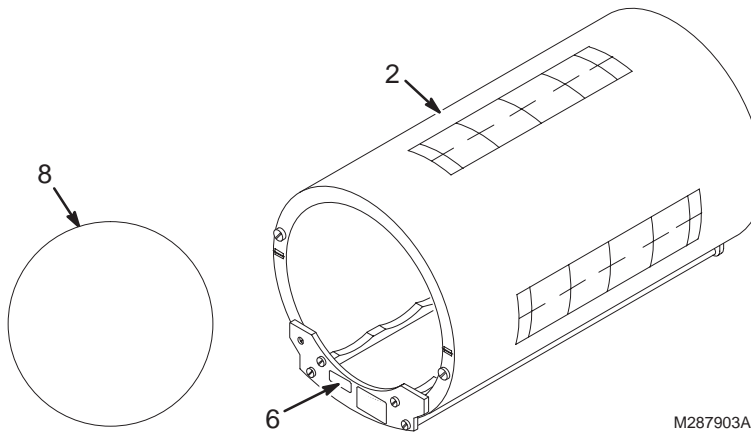
46-287900G3 FRU N

(PART OF 2134337 PAGE 1-100)

Item	Part Number	FRU	Name	Quantity	Description (Remarks)
2	46-287899G1	2	CYL W/SOL	1	HEAD LOADER CYLINDER W/SOLUTION
4	46-265826G6	2	SPHERE W/SOL	1	TLT HEAD SPHERE WITH NICKLE CHLORIDE
6	46-287683P1	2	LABEL	1	PROPERTY OF GENERAL ELECTRIC COMPANY
7	46-170628P1	2	COATING	AR	CRYSTAL CLEAR ACRYLIC AEROSOL

BODY PHANTOM

46-287903G3



BODY PHANTOM

46-287903G3 FRU N

(PART OF 2134337 PAGE 1-100)

Item	Part Number	FRU	Name	Quantity	Description (Remarks)
2	46-287902G1	2	CYL W/SOL	1	BODY LOADER W/SOLUTION
6	46-287683P1	2	LABEL	1	PROPERTY OF GENERAL ELECTRIC COMPANY
7	46-170628P1	2	COATING	AR	CRYSTAL CLEAR ACRYLIC AEROSOL
8	46-265635G6	2	SPHERE W/SOL	1	TLT BODY SPHERE WITH SOLUTION - NICL

**Cx SPT PHANTOM KIT w/o CART 2133388-7 FRU N (PART OF Cx/LCC LX 1.5T/1.0T MOBILE CATALOGS)
(PART OF EXCITE 1.5T MOBILE SITES)**

Item	Part Number	FRU	Name	Quantity	Description (Remarks)
2A	2125247-13	N	NEST'G PLATE	1	MOLDED SPT NESTING PLATE (SEE PAGE 1-104)
2B	2125247-10	2	NEST'G PLATE	ALT	Cx SPT NESTING PLATE (SEE PAGE 1-104)
3	2298119	N	SPT PHANTOM	1	SPT PHANTOM W/HANDLES (SEE PAGE 1-103)
4	2125244	N	SPT SHRT LDR	1	860-950118 SPT SHORT LOADER (SEE PAGE 1-103)
5	2131027-2	N	PHANTOM	1	USE 2131027-9 FOR FIELD REPLACEMENT
7	2170481	2	EPI POSITINR	2	LX/HORIZON EPI FOAM POSITIONER
8	2141454	2	QUICK SHIM	1	QUICK SHIM POSITIONER

SPT PHANTOM KIT w/SPLIT HD COIL 2133388-11 FRU N (PART OF EXCITE HD 1.5T CATALOGS)

Item	Part Number	FRU	Name	Quantity	Description (Remarks)
2A	2125247-13	2	NEST'G PLATE	1.0	MOLDED SPT NESTING PLATE (SEE PAGE 1-104)
2B	2125247-10	2	NEST'G PLATE	ALT	Cx SPT NESTING PLATE (SEE PAGE 1-104)
3	2298119	N	SPT PHANTOM	1.0	SPT PHANTOM W/HANDLES (SEE PAGE 1-103)
4	2125244	N	SPT SHRT LDR	1.0	860-950118 SPT SHORT LOADER (SEE PAGE 1-103)
5	2321556	2	DQA PHANTOM	1.0	DQA-HEAD SNR PHANTOM
6	2134213	N	SPT CART	1.0	SPT PHANTOM CART
7	2170481	N	EPI POSITINR	2.0	LX/HORIZON EPI FOAM POSITIONER
8	5110241	2	PDM PART	1.0	POSITIONER,HEAD LOADER

**SPT PHANTOM WITH HANDLES 2298119 FRU N (PART OF 2133388 PAGE 1-102)
(PART OF 2133388-2 PAGE 1-102)
(PART OF 2133388-6 PAGE 1-102)
(PART OF 2133388-7 PAGE 1-103)
(PART OF 2133388-11 PAGE 1-103)**

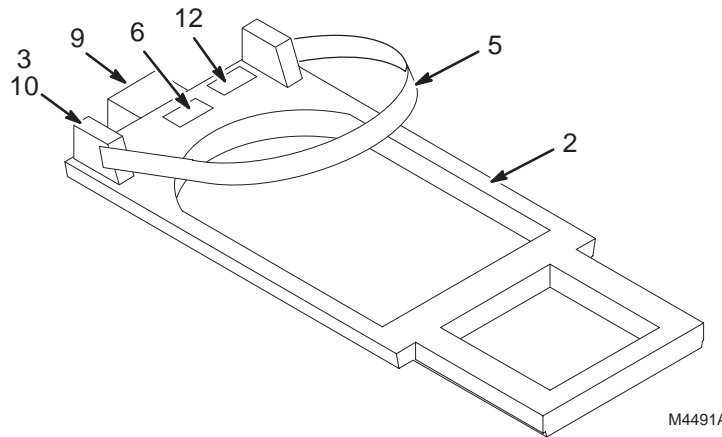
Item	Part Number	FRU	Name	Quantity	Description (Remarks)
2	2306642	1	LV PHAN-SMAL	1	LV PHANTOM SMALL HALF ASSEMBLY
3	2306645	1	LV PHANT-BIG	1	LV PHANTOM BIG HALF ASSEMBLY
4	2274476	1	TOOL ASM	1	HFO LV SHIM PHANTOM INNER SPHERE

**SPT SHORT LOADER 2125244 FRU N (PART OF 2133388 PAGE 1-102)
(PART OF 2133388-2 PAGE 1-102)
(PART OF 2133388-6 PAGE 1-102)
(PART OF 2133388-7 PAGE 1-103)
(PART OF 2133388-11 PAGE 1-103)**

Item	Part Number	FRU	Name	Quantity	Description (Remarks)
2	2135650	2	KIT OF PARTS	1	SPHERE-USE 2135650-2 FOR FIELD REPLACEMENT
3	2135652	N	KIT OF PARTS	1	CYLINDER-USE 2135652-2 FOR FIELD REPLACEMENT

SPT NESTING PLATE

2125247, 2125247-10, & 2125247-13



SPT NESTING PLATE

2125247 FRU N

(PART OF 2133388 PAGE 1-102)
(PART OF 2133388-2 PAGE 1-102)

Item	Part Number	FRU	Name	Quantity	Description (Remarks)
2	2125247-2	2	PLATE,NEST'G	1	NESTING PLATE
3	2125247-3	2	STRAP ANCHOR	1	SPT PHANTOM STRAP ANCHOR
4	2125247-4	N	END SPACER	1	LV SHIM PHANTOM SPHERE
5	2125247-5	2	PHANTOM STRP	1	SPT PHANTOM STRAP
6	2125247-6	2	LABEL,NESTNG	1	LABEL, NESTING PLATE
9	2136933	2	SOCKET	2	.5-13 X 3.0" SOCKET HEAD CAP SCREW
10	2136934	2	SOCKET	4	.5-13 X 2.5" SOCKET HEAD CAP SCREW
12	2125247-11	2	NEST'G PLATE	1	LABEL, LONG NESTING PLATE

Cx SPT NESTING PLATE

2125247-10 FRU N

(PART OF 2133388-6 PAGE 1-102)
(PART OF 2133388-7 PAGE 1-103)
(PART OF 2133388-11 PAGE 1-103)

Item	Part Number	FRU	Name	Quantity	Description (Remarks)
2	2125247-9	2	NEST'G PLATE	1	SPT NESTING PLATE FOR Cx
3	2125247-3	2	STRAP ANCHOR	1	SPT PHANTOM STRAP ANCHOR
4	2125247-4	N	END SPACER	1	LV SHIM PHANTOM SPHERE
5	2125247-5	2	PHANTOM STRP	1	SPT PHANTOM STRAP
6	2125247-6	2	LABEL,NESTNG	1	LABEL, NESTING PLATE
7	46-136246P12	2	TAPE	AR	0.625 WIDE X 25 YD,BLK,ADH BACK,LOOP
9	2136933	2	SOCKET	2	.5-13 X 3.0" SOCKET HEAD CAP SCREW
10	2136934	2	SOCKET	4	.5-13 X 2.5" SOCKET HEAD CAP SCREW
12	2125247-12	2	NEST'G PLATE	1	LABEL, SHORT NESTING PLATE

MOLDED SPT NESTING PLATE

2125247-13 FRU N

(PART OF 2133388-6 PAGE 1-102)
(PART OF 2133388-7 PAGE 1-103)
(PART OF 2133388-11 PAGE 1-103)

Item	Part Number	FRU	Name	Quantity	Description (Remarks)
2	2221107	2	NEST'G PLATE	1	SPT NESTING PLATE
5	2125247-5	2	PHANTOM STRP	1	SPT PHANTOM STRAP
6	2125247-6	2	LABEL,NESTNG	1	LABEL, NESTING PLATE
7	46-136246P12	2	TAPE	AR	0.625 WIDE X 25 YD,BLK,ADH BACK,LOOP
12	2125247-14	2	NEST'G PLATE	1	MOLDED SPT NESTING PLATE (-13) LABEL

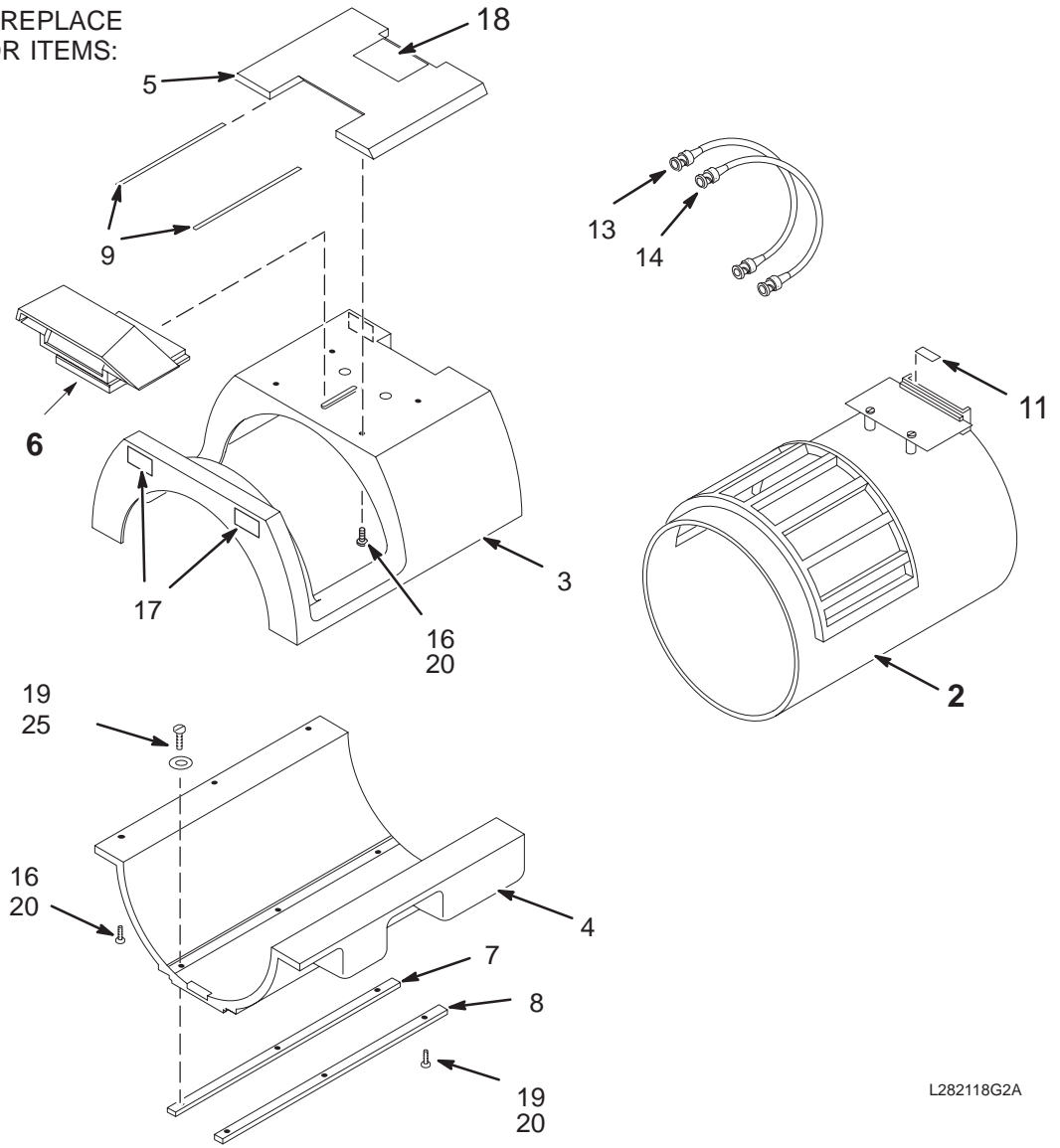
1.5T QUAD HEAD COIL

46-282118G2 & 46-282118G202

MG2 A16 A1

ITEMS 5, 6, & 9 CAN REPLACE
NEW-STYLE MIRROR ITEMS:

- 31
- 32
- 33
- 34
- 35



L282118G2A

1.5T QUAD HEAD COIL

46-282118G2 FRU 1

(PART 402 OF 46-244813G25 PAGE 1-93)

(PART 402 OF 46-244813G27 PAGE 1-94)

Item	Part Number	FRU	Name	Quantity	Description (Remarks)
2	46-282120G2	N	HC FORM ASM	1	1.5T HEAD COIL & FORM SUB-ASSEMBLY (SEE PAGE 1-107)
3	46-271718P1	2	H.C.-TOP	1	MOLDED TOP HOUSING
4	46-271719P1	2	H.C.-BOT	1	MOLDED BOTTOM HOUSING
5	46-271722P1	2	MIRROR HSG	ALT	MIRROR ASSEMBLY BASE RETAINING COVER
6	46-282119G1	N	MIRROR ASM	ALT	PATIENT'S VIEWING MIRROR ASSEMBLY (SEE PAGE 1-109)
7	46-282039P1	2	HC RAIL LH	1	LEFT GUIDE RAIL, 16.38"LONG, DELRIN
8	46-282038P1	2	HC RAIL RH	1	RIGHT RAIL, 16.36"LONG, DELRIN
9	46-282392P1	2	TAPE	ALT	WHITE VELCRO LOOP, 7.88" X .25"
11	46-282475P1	2	MECHANICAL/M	1	BLUE COLORED POLYESTER, 1.12" X .5"
13	46-282441P1	1	CABLE	1	MG2-A16-A1 TO MG2-A16-A6, BLUE ENDS
14	46-282441P2	1	CABLE	1	MG2-A16-A1 TO MG2-A16-A6, WHITE ENDS
15	46-307152P1	2	VELCRO PAD	2	1"X 1" WHITE VELCRO LOOP SELF-ADHERE
16	46-208921P33	2	SCREW	10	10-32 X 1/2", BIND HEAD SLOT, BRASS
17	46-287499P1	2	MECHANICAL/M	2	REMOVE QUAD HEAD COIL WARNING LABEL
18	46-307859P4	2	LABEL	1	"FOR USE ON SIGNA 1.5T SYSTEM ONLY"
19	46-208921P36	2	SCREW	6	8-32 X 3/8 BINDING HEAD, SLOT, BRASS
20	46-170684P2	2	ADHESIVE	1	LOCTITE 271, 10CC BOTTLE
25	46-221449P4	N	WASHER	3	#8 SCREW SIZE (0.164) PHOS BRONZE
31	2304047	N	PLATE	1	1.5T HEAD COIL MIRROR PLATE
32	2304050	N	BAR	1	MIRROR SLIDE BAR
33	2305644	N	MIRROR	1	MIRROR, HEAD COIL
34	2109874-11	N	SCREW	1	SCREW COUNTERSUNK HEA 4 MM 12 MM
35	2109874-9	N	SCREW	1	SCREW COUNTERSUNK HEA 4 MM 8 MM

1.5T CRM QUAD HEAD COIL

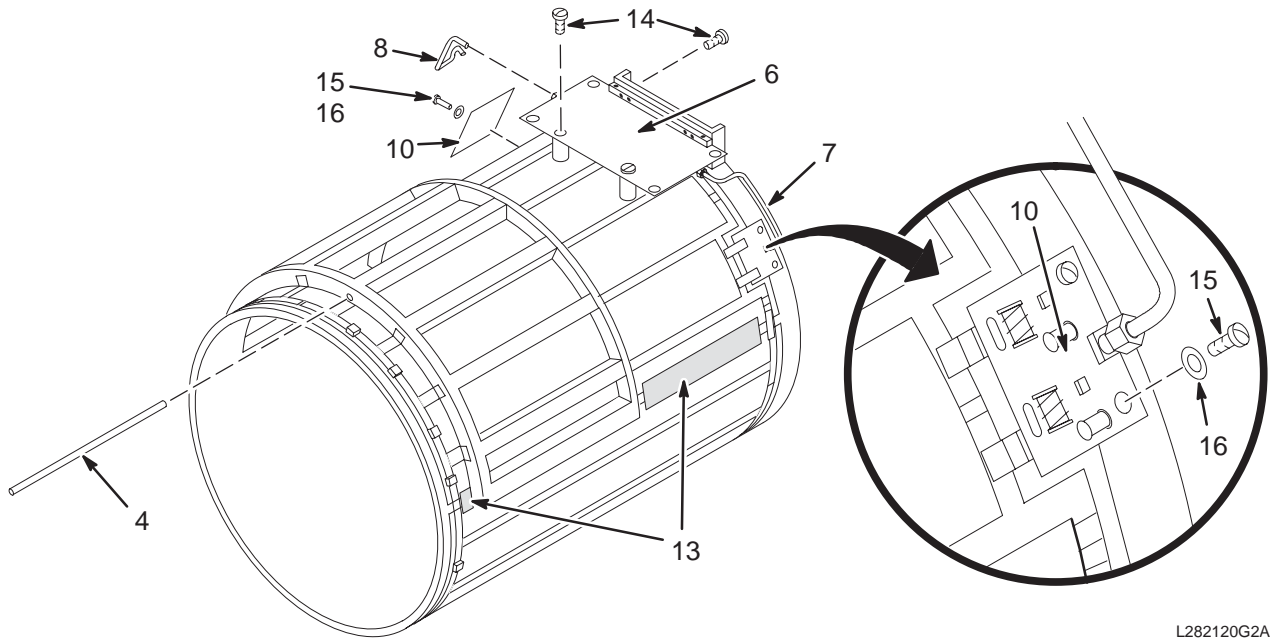
46-282118G202 FRU 1

(PART 402 OF 46-244813G30 PAGE 1-95)

Item	Part Number	FRU	Name	Quantity	Description (Remarks)
2	46-282120G202	N	HC FORM ASM	1	CRM 1.5T HEAD COIL AND FORM SUBASM (SEE PAGE 1-107)
3	46-271718P1	2	H.C.-TOP	1	MOLDED TOP HOUSING
4	46-271719P1	2	H.C.-BOT	1	MOLDED BOTTOM HOUSING
5	46-271722P1	2	MIRROR HSG	1	MIRROR ASSEMBLY BASE RETAINING COVER
6	46-282119G1	N	MIRROR ASM	1	PATIENT'S VIEWING MIRROR ASSEMBLY (SEE PAGE 1-109)
7	46-282039P1	2	HC RAIL LH	1	LEFT GUIDE RAIL, 16.38"LONG, DELRIN
8	46-282038P1	2	HC RAIL RH	1	RIGHT RAIL, 16.36"LONG, DELRIN
9	46-282392P1	2	TAPE	2	WHITE VELCRO LOOP, 7.88" X .25"
11	46-282475P1	2	LABEL	1	BLUE COLORED POLYESTER, 1.12" X .5"
13	46-282441P3	1	CABLE	1	MG2-A16-A1 TO MG2-A16-A6, BLUE ENDS
14	46-282441P4	1	CABLE	1	MG2-A16-A1 TO MG2-A16-A6, WHITE ENDS
15	46-307152P1	2	VELCRO PAD	2	1"X 1" WHITE VELCRO LOOP SELF-ADHERE
16	46-208921P33	2	SCREW	10	SCREW
17	46-287499P1	2	LABEL	2	REMOVE QUAD HEAD COIL WARNING LABEL
18	2214469	2	LABEL	1	CRM HEAD/NECK COIL ATTN MULTILINGUAL
19	46-208921P36	2	SCREW	6	BRS SLOTTED BND HD SCR 8-32 X 3/8"
20	46-170684P2	2	ADHESIVE	1	LOCTITE 271, 10CC BOTTLE
25	46-221449P4	2	WASHER	3	#8 SCREW SIZE (0.164) PHOS BRONZE
31	2304047	N	PLATE	1	1.5T HEAD COIL MIRROR PLATE
32	2304050	N	BAR	1	MIRROR SLIDE BAR
33	2305644	N	MIRROR	1	MIRROR, HEAD COIL
34	2109874-11	N	SCREW	1	SCREW COUNTERSUNK HEA 4 MM 12 MM
35	2109874-9	N	SCREW	1	SCREW COUNTERSUNK HEA 4 MM 8 MM

1.5T HEAD COIL FORM ASM

46-282120G2 & 46-282120G202



L282120G2A

1.5T HEAD COIL FORM ASM

46-282120G2 FRU N

(PART 2 OF 46-282118G2 PAGE 1-106)

Item	Part Number	FRU	Name	Quantity	Description (Remarks)
4	46-271942P1	2	TUBE	7	TIN PLATED COPPER TUBE, .188 OD X 7"
6	46-288414G1	2	CIRCUIT BD	1	1.5T HEAD COIL HYBRID, MG2 A16 A1 A2
7	46-301047P1	2	CABLE, COAX	1	.085" DIA SEMI-RIGID COPPER W/PLUGS
8	46-301048P1	2	CABLE, COAX	1	.085 DIA SEMI-RIGID COPPER W/PLUGS
10	46-264844G1	1	CIRCUIT BD	2	1.5T ISOLATOR BOARD, MG2 A16 A1 A1
13	46-170120P1	2	TAPE	AR	1/2" WIDTH, .0025 THICK, CLEAR COLOR
14	46-265486P6	2	SCREW	5	8-32 X 3/8, PAN HEAD, DELRIN
15	46-220184P5	2	SCREW	4	4-40 X 1/4" ROUND HEAD SLOTTED, BRASS
16	46-221449P2	2	WASHER	4	#4 SCREW SIZE (0.112) PHOS BRONZE

1.5T CRM HEAD COIL FORM ASM 46-282120G202 FRU N

(PART 2 OF 46-282118G202 PAGE 1-106)

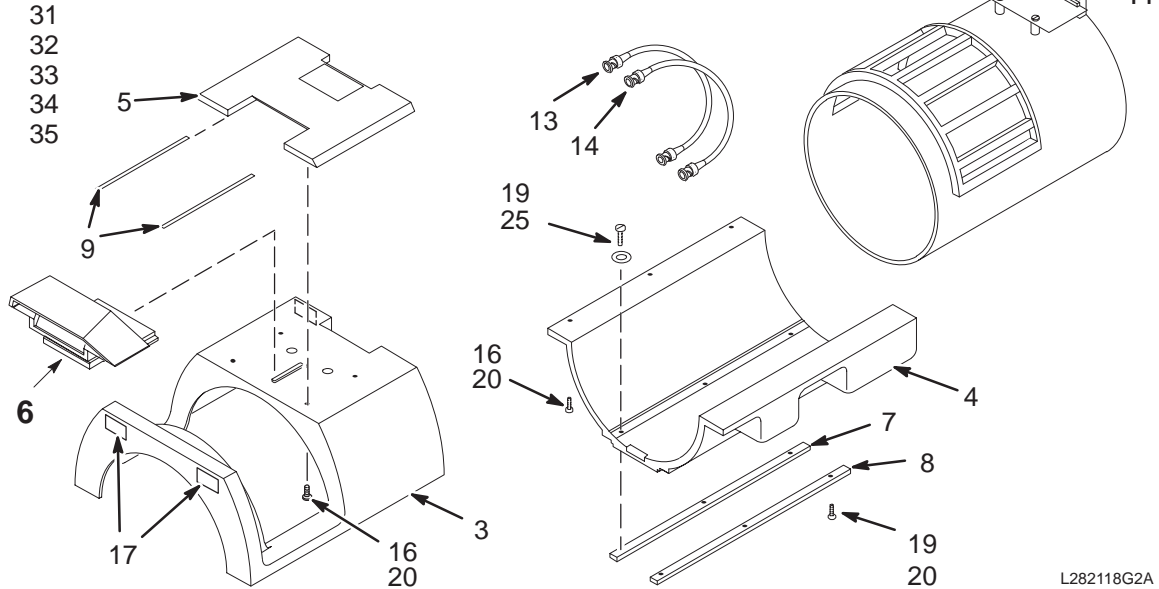
Item	Part Number	FRU	Name	Quantity	Description (Remarks)
4	46-271942P1	2	TUBE	7	TIN PLATED COPPER TUBE, .188 OD X 7"
6	46-288414G1	2	CIRCUIT BD	1	1.5T HEAD COIL HYBRID, MG2 A16 A1 A2
7	46-301047P1	2	CABLE, COAX	1	.085" DIA SEMI-RIGID COPPER W/PLUGS
8	46-301048P1	2	CABLE, COAX	1	.085 DIA SEMI-RIGID COPPER W/PLUGS
10	46-264844G1	1	CIRCUIT BD	2	1.5T ISOLATOR BOARD, MG2 A16 A1 A1
13	46-170120P1	2	TAPE	AR	1/2" WIDTH, .0025 THICK, CLEAR COLOR
14	46-265486P6	2	SCREW	5	SCREW
15	46-220184P5	2	SCREW	4	SCREW
16	46-221449P2	2	WASHER	4	#4 SCREW SIZE (0.112) PHOS BRONZE

1.0T HEAD COIL

46-282118G6

MG2 A16 A1

ITEMS 5, 6, & 9 CAN REPLACE
NEW-STYLE MIRROR ITEMS:



L282118G2A

1.0T HEAD COIL

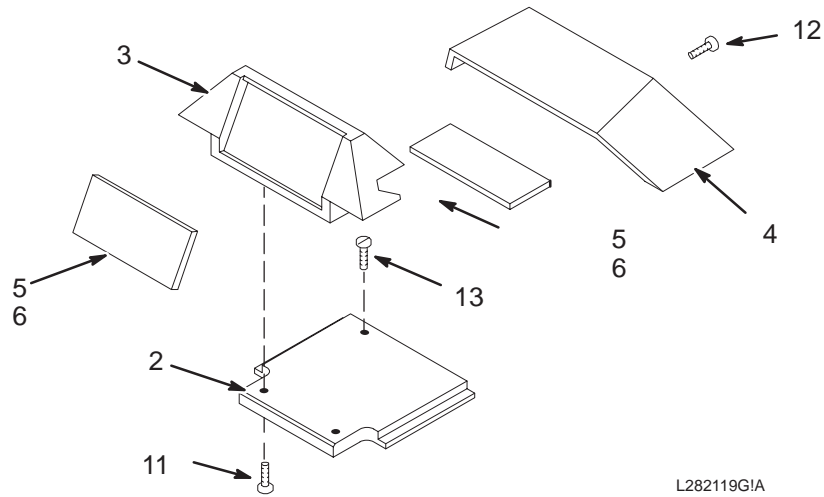
46-282118G6 FRU 1

(PART OF 46-244813G65 PAGE 1-96)
(PART OF 46-244813G67 PAGE 1-97)

Item	Part Number	FRU	Name	Quantity	Description (Remarks)
3	46-271718P1	2	H.C.-TOP	1	MOLDED TOP HOUSING
4	46-271719P1	2	H.C.-BOT	1	MOLDED BOTTOM HOUSING
5	46-271722P1	2	MIRROR HSG	ALT	MIRROR ASSEMBLY BASE RETAINING COVER
6	46-282119G1	N	MIRROR ASM	ALT	PATIENT'S VIEWING MIRROR ASSEMBLY (SEE PAGE 1-109)
7	46-282039P1	2	HC RAIL LH	1	LEFT GUIDE RAIL, 16.38"LONG, DELRIN
8	46-282038P1	2	HC RAIL RH	1	RIGHT RAIL, 16.36"LONG, DELRIN
9	46-282392P1	2	TAPE	ALT	WHITE VELCRO LOOP, 7.88" X .25"
10	46-251182P441	N	RATING PLATE	1.0	MODEL 46-282118G6 1.0T HEAD COIL
11	46-282475P1	N	PDM PART	1.0	BLUE COLORED POLYESTER, 1.12" X .5"
13	46-282441P3	2	CABLE	1.0	MG2-A16-A1 TO MG2-A16-A6, BLUE ENDS
14	46-282441P4	2	CABLE	1.0	MG2-A16-A1 TO MG2-A16-A6, WHITE ENDS
15	46-307152P1	2	VELCRO PAD	2	1"X 1" WHITE VELCRO LOOP SELF-ADHERE
16	46-208921P33	2	SCREW	10	10-32 X 1/2", BIND HEAD SLOT, BRASS
17	46-287499P1	2	MECHANICAL/M	2	REMOVE QUAD HEAD COIL WARNING LABEL
18	46-307859P6	N	PDM PART	1.0	LABEL
19	46-208921P36	2	SCREW	6	8-32 X 3/8 BINDING HEAD, SLOT, BRASS
20	46-170684P2	2	ADHESIVE	1	LOCTITE 271, 10CC BOTTLE
25	46-221449P4	2	WASHER	3	#8 SCREW SIZE (0.164) PHOS BRONZE
31	2304047	N	PLATE	1	1.5T HEAD COIL MIRROR PLATE
32	2304050	N	BAR	1	MIRROR SLIDE BAR
33	2305644	N	MIRROR	1	MIRROR, HEAD COIL
34	2109874-12	N	PDM PART	1.0	SCREW COUNTERSUNK HEA 4 MM 16 MM
35	2109874-9	N	SCREW	1	SCREW COUNTERSUNK HEA 4 MM 8 MM

MIRROR ASM

46-282119G1



MIRROR ASM

46-282119G1 FRU N

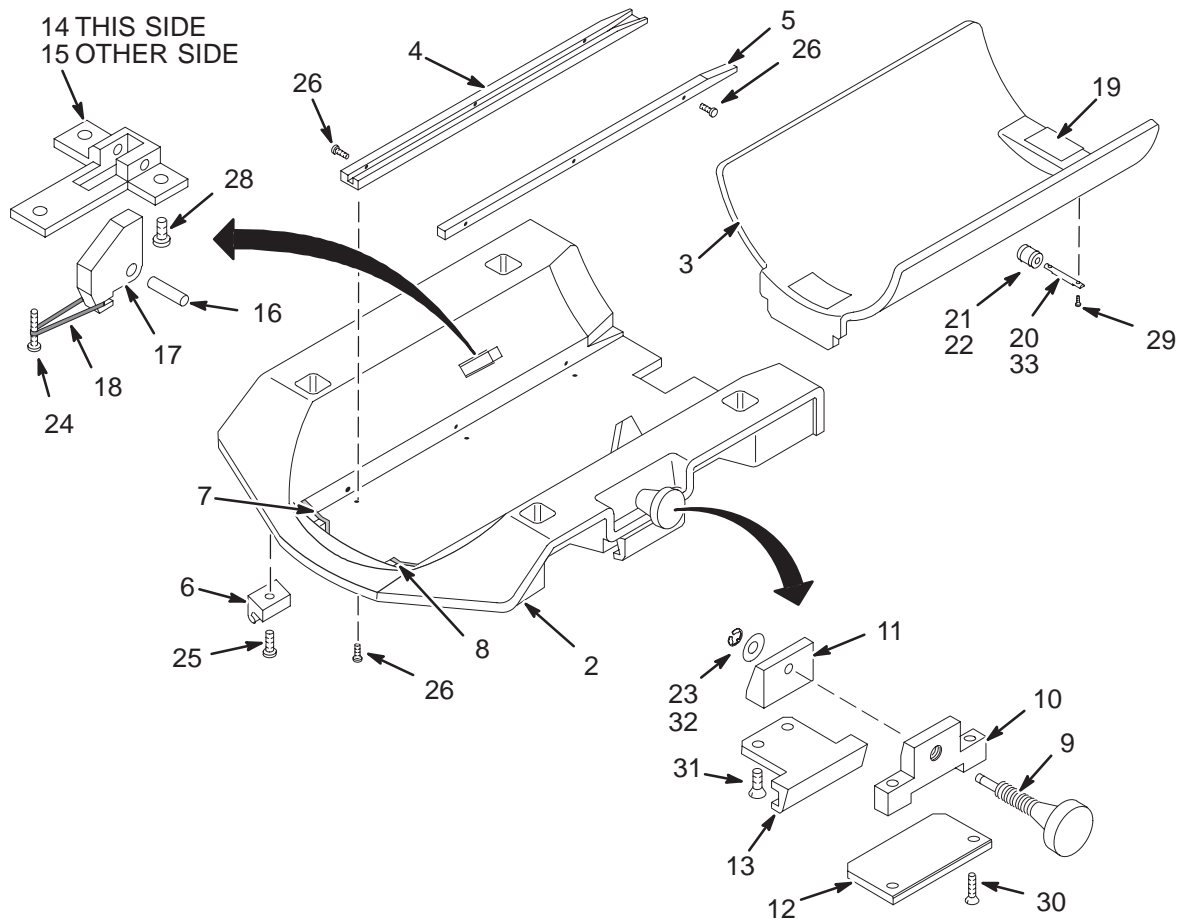
(PART OF 46-282118G2 PAGE 1-106)

(PART OF 46-282118G6 PAGE 1-108)

Item	Part Number	FRU	Name	Quantity	Description (Remarks)
2	46-271721P1	2	SLIDE	1	SLIDING MIRROR MOUNT PLATE, DELRIN
3	46-271723P1	2	MIRROR BOT	1	LOWER MIRROR MOUNTING BASE
4	46-271724P1	2	MIRROR TOP	1	UPPER MIRROR MOUNTING BASE
5	46-282066P1	2	MECHANICAL/M	2	2.19" X 4.19" FLOAT GLASS MIRROR
6	46-282264P1	2	ADHESIVE	AR	2 OZ DUAL-PAK CARTRIDGE EPOXY, CLEAR
10	46-170686P1	2	ADHESIVE	1	LOCTITE 242, 0.5CC TUBE
11	46-208921P33	2	SCREW	2	10-32 X 1/2", BIND HEAD SLOT, BRASS
12	46-208913P28	2	SCREW	2	10-32 X 5/8" LG SLOT FH, BRASS SCREW
13	46-220184P38	2	SCREW	1	10-32 X 1/4" LG RD HD SLOT, BRASS

HEAD COIL HOLDER ASM

46-282079G1



L282079G1A

1.5T SPLIT HEAD COIL/PHANTOM KIT 2366960 FRU N (PART 18A OF M3000AB PAGE 1-49)
 (PART 18A OF M3000AC PAGE 1-49)
 (PART 18A OF M3000AD PAGE 1-49)
 (PART 18 OF M3000DB PAGE 1-60)
 (PART 18 OF M3000DC PAGE 1-60)
 (PART 18 OF M3000DD PAGE 1-60)
 (PART 18 OF M3000TD PAGE PAGE 1-76)

Item	Part Number	FRU	Name	Quantity	Description (Remarks)
1	2337543	N	KIT OF PARTS	1.0	SPLIT HEAD COIL COLLECTOR – 1.5T (SEE PAGE 1-113)
2	2321556	2	DQA PHANTOM	1.0	DQA-HEAD SNR PHANTOM
3	5110241	2	PDM PART	1.0	POSITIONER,HEAD LOADER

1.5T SPLIT HEAD COIL COLLECTOR 2337543 FRU N (PART 1 OF 2366960 PAGE 1-113)

Item	Part Number	FRU	Name	Quantity	Description (Remarks)
1	2341973	2	ASSEMBLY	1.0	1.5T SPLIT HEAD COIL ASSEMBLY
2	2336560	2	BOX ASSEMBLY	1.0	QUICK DISCONNECT BOX 1.5T W/RESONANT
3	2349207	2	COIL ADAPTER	1.0	Q.D. PLUG COIL ADAPTER, EXTREMITY
4	2349208	2	COIL ADAPTER	1.0	Q.D. PLUG COIL ADAPTER, SURFACE
5	2330338	N	HEAD CUSHION	1.0	SPLIT HEAD COIL CUSHION FORMED
6	2343157	N	PAD	1.0	SPLIT HEAD COIL CUSHION FLAT
7	2352202	N	KIT	1.0	KIT HEAD RESTRAINT STRAPS
8	2353925-247	N	DIRECTION	1.0	1.0T/1.5T SIGNA INFINITY SPLIT HEAD
9	2341495	N	DIRECTION	1.0	1.5T SPLIT HEAD COIL SERVICE MANUAL

TPS RF SERVICE I/F KIT 46-301927G1 FRU N (PART OF 46-244813G25 PAGE 1-93)
 (PART OF 46-244813G65 PAGE 1-96)

Item	Part Number	FRU	Name	Quantity	Description (Remarks)
2	46-301549P5	2	COAX CABLE	3	5' RG188/U COAX, BNC MALE/SMB FEMALE
3	46-301549P6	2	COAX CABLE	2	5' RG188/U COAX, BNC MALE/CANNON MK1
4	46-251993G1	2	CABLE ASM	1	8" RG174/U 50-OHM COAX W/SMB PLUGS
5	46-301549P14	2	COAX CABLE	5	6" RG188/U, CANNON MARK 1 RECEPTACLE
6	46-301549P15	2	TPS KIT PART	1	DC BLOCK - 50 OHM BNC MALE/FEMALE
7	46-296817P1	2	CONNECTOR	1	50 OHM BNC TERMINATOR W/CHAIN, 1/2 W
10	46-220427P3	2	CONNECTOR	2	50 OHM BNC STRAIT JACK-JACK ADAPTOR
11	2168505	2	CABLE	1	CERD SPIKE NOISE TEST CABLE

5.8Z S/W WITH Y2K UPDATE 46-317752G28 FRU N (PART OF 46-244813G25 PAGE 1-93)
 (PART OF 46-244813G65 PAGE 1-96)

Item	Part Number	FRU	Name	Quantity	Description (Remarks)
5	46-317751P1	2	DAT	1	BLANK DIGITAL-AUDIO TAPE
7	46-320006P1	2	DAT CLEAN	1	CLEANING KIT FOR DAT DRIVES
10	2206417	1	IMAGE S/W	1	FSE-XL SOFTWARE OPTION

PPG ACCESSORIES KIT 46-317999G2 FRU N (PART OF 46-244813G25 PAGE 1-93)
 (PART OF 46-244813G27 PAGE 1-94)
 (PART OF 46-244813G65 PAGE 1-96)
 (PART OF 46-244813G67 PAGE 1-97)

Item	Part Number	FRU	Name	Quantity	Description (Remarks)
10	46-320104G1	2	PROBE ASM.	1	PLETHYSMOGRPH FINGER PROBE (E8811PB)
15	46-320114G1	2	GP HEAD ASM	1	GENERAL PURPOSE HEAD ASM (E8811PC)
21	46-317500P4	2	VELCRO HOOKS	2	WHITE 2" X 1" STRIP, ADHESIVE BACK
30	46-320455P1	2	VELCRO STRAP	2	WHITE 8" X 6", VELCRO ASM (E8811PC)

GATING/PAC CABLE KIT 46-320609G1 FRU N (PART OF 46-244813G25 PAGE 1-93)
 (PART OF 46-244813G27 PAGE 1-94)
 (PART OF 46-244813G65 PAGE 1-96)
 (PART OF 46-244813G67 PAGE 1-97)

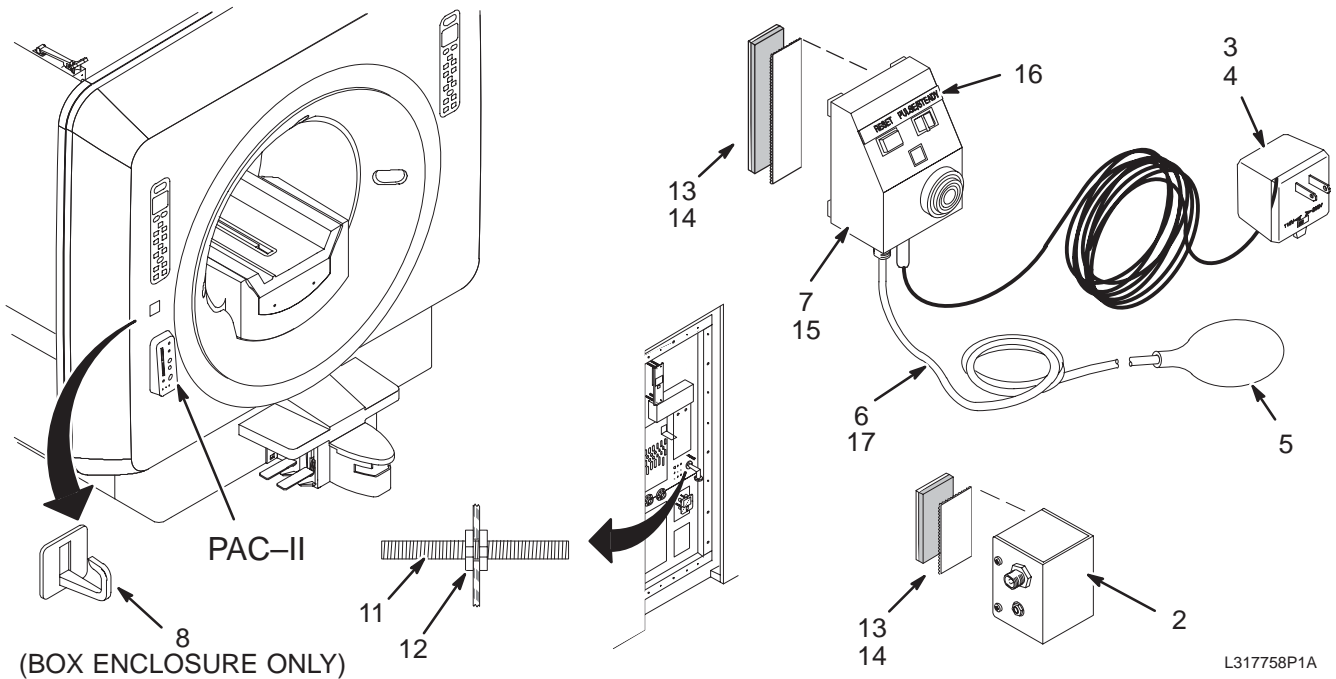
Item	Part Number	FRU	Name	Quantity	Description (Remarks)
2	46-320457P1	N	GATING LEADS	6	USE E8811JA FOR FIELD REPLACEMENTS
3	46-320573G1	N	PAC CABLE	1	USE E8811JB FOR FIELD REPLACEMENTS

HIGH IMPEDANCE ECG LEAD KIT 2219452 FRU 1 (PART OF 46-244813G30 PAGE 1-95)
 (PART OF 46-244813G65 PAGE 1-96)

Item	Part Number	FRU	Name	Quantity	Description (Remarks)
	2219452-2	1	GATAING LEADS	1	HIGH IMPEDANCE MRI ECG LEAD WIRES (E8819RC)
	2219452-3	1	CABLE	1	HIGH IMPEDANCE ECG PATIENT CABLE (E8819RD)

PNEUMATIC PATIENT ALERT SYSTEM

46-317758P1



L317758P1A

ALERT SYSTEM

46-317758P1 FRU 1

(PART OF 46-244813G25 PAGE 1-93)
 (PART OF 46-244813G27 PAGE 1-94)
 (PART OF 46-244813G30 PAGE 1-95)
 (PART OF 46-244813G65 PAGE 1-96)
 (PART OF 46-244813G67 PAGE 1-97)
 (PART OF 2321156 PAGE 13-19)

Item	Part Number	FRU	Name	Quantity	Description (Remarks)
2	46-317758P2	2	EXTRA OPTION	AR	EXTENDER BOX/WIRE FOR OPR ALERT SYS.
3	46-317758P3	2	VENDOR FRU	1	MAGNAACOUSTICS 12V 60HZ POWER SUPPLY
4	46-317758P4	2	VENDOR FRU	ALT	MAGNAACOUSTICS 12V 50HZ POWER SUPPLY
5	46-317758P5	2	VENDOR FRU	1	SQUEEZE BULB, RUBBER
6	46-317758P6	2	VENDOR FRU	1	PNEUMATIC TUBING, 115FT LENGTH
7	46-317758P7	1	VENDOR FRU	1	ALARM UNIT CONTROL BOX
8	46-317758P8	2	VENDOR FRU	1	SQUEEZE BULB HANGER, STICK-ON TYPE (BOX ENCL ONLY)
9	46-317758P9	2	VENDOR FRU	1	PLASTIC FEED-THRU CONNECTORW/CLIP
10	46-317758P10	N	VENDOR FRU	1	USE 46-317758P9 AS FIELD REPLACEMENT
11	46-317758P11	2	VENDOR FRU	2	THREADED BRASS WAVEGUIDE TUBE W/NUTS
12	46-317758P12	N	VENDOR FRU	1	USE 46-317758P11 AS FIELD REPLACEMENT
13	46-317758P13	N	VENDOR FRU	1	ORDER 6-IN. 46-136246P15 VELCRO LOOP
14	46-317758P14	N	VENDOR FRU	1	ORDER 6-IN. 46-136246P17 VELCRO LOOP
15	46-317758P15	N	VENDOR FRU	1	ORDER 46-208901P24 #8 X 3/4" SCREW
16	46-317758P16	2	VENDOR FRU	1	NAMEPLATE, METALIZED STICK-ON TYPE
17	46-317758P17	2	VENDORFRU	1	TUBING REPLACEMENT KIT (INCLUDES P6 AND P9)

1-17 WideOpen ENCLOSURES

CATALOG M1060LA FRU N 1.5T FIXED WideOpen ENCLOSURE

Item	Part Number	FRU	Name	Quantity	Description (Remarks)
1A	2226300	N	1.5T LCC MAG	1	LCC 1.5T-WideOpen MAGNET CAT (SEE MAGNET MANUAL)
1B	2226300-2	N	1.5T LCC MAG	ALT	LCC 1.5T-WideOpen MAG, "YR SERIES" (SEE MAG MANUAL)
2	2222520	N	COLLECTOR	1	COLLECTOR,MAGNET MONITOR (SEE PAGE 1-175)
3A	2222521	N	COLLECTOR	1	COLLECTOR,LCC BRMF FIXED,WideOpen (SEE PAGE 1-116)
3B	2307972	N	BOX	1	COLLECTOR,LCC,FIXED BRIDGE,WideOpen (SEE PG 1-116)
4	2226311	N	SHIPPING COL	1	SHIP COLLECTOR FOR LCC/WO FIXED (SEE PAGE 1-116)

WideOpen FIXED ENCLOSURE 2222521 FRU N (PART 3A OF M1060LA PAGE 1-116)
(PART 3A OF M1860LA PAGE 1-119)

Item	Part Number	FRU	Name	Quantity	Description (Remarks)
1	2214166-4	N	INSTALLATION	1	BRM-F BODY COIL ISO MOUNTS W/PADS (SEE PAGE 1-124)
2	2222558	N	ENCLOSURE, F	1	ENCLOSURE,FIXED WideOpen,LCC (SEE SECTION 2)

WideOpen FIXED ENCL w/SPLIT BRIDGE 2307972 FRU N (PART 3B OF M1060LA PAGE 1-116)
(PART 3B OF M1860LA PAGE 1-119)

Item	Part Number	FRU	Name	Quantity	Description (Remarks)
1	2214166-4	1	INSTALLATION	1	BRM-F BODY COIL ISO MOUNTS W/PADS (SEE PAGE 1-124)
2	2308291	1	BOX	1	ENCLOSURE,FIXED, SPLIT BRIDGE, W-O (SEE SECTION 2)

WideOpen FIXED ENCL COLLECTOR 2226311 FRU N (PART 4 OF M1060LA PAGE 1-116)
(PART 4 OF M1860LA PAGE 1-119)
(PART 4 OF M3060TA PAGE 1-120)

Item	Part Number	FRU	Name	Quantity	Description (Remarks)
3	46-318057G6	1	VENT ASSEMBL	1	VENT KIT ASSEMBLY, LCC (SEE MAGNET MANUAL)
4	46-258770G4	N	SIGN KIT	1	WARNING SIGN AND LABEL SET (SEE PAGE 1-116)
5	2128700	N	MRU KIT	1	MRU KIT ASSEMBLY (SEE MAGNET MANUAL)
8	46-294744G5	N	FLDSPARE KIT	1	FIELDSPARE KIT - LCC (SEE MAGNET MANUAL)
9	46-318565G1	N	VAC TOOL KIT	1	SIV VACUUM TOOL KIT. (SEE MAGNET MANUAL)
10	2226264	N	BRACKET ASM	1	WIDEOPEN DOCK MOUNT & CNTRL BOX (SEE SECTION 2)
11A	46-271260G4	N	DOCK ASM.	1	INFINITY WIDEOPEN DOCK ASSEMBLY (SEE SECTION 2)
11B	46-271260G3	N	DOCK ASM.	ALT	WIDEOPEN DOCK ASSEMBLY (SEE SECTION 2)
12	2251611	2	RACEWAY	2	RACEWAY,FLEXIBLE CORRUGATED,ORANGE
13	2319156	N	PLATFORM	1	SERVICE PLATFORM, HFO
14	2349529	N	DISK	1	RUPTURE DISK

WARNING SIGN & LABEL SET 46-258770G4 FRU N (PART 3 OF 2226311 PAGE 1-116)
(PART 3 OF 2226326 PAGE 1-118)

Item	Part Number	FRU	Name	Quantity	Description (Remarks)
1	46-255326P1	2	MECHANICAL/M	10	5-GAUSS EXCLUSION ZONE WARNING SIGN
2	46-255325P1	2	LABEL	2	SECURITY ZONE WARNING SIGN
3	46-255813P1	2	LABEL	50	MAGNETIC ITEM WARNING LABEL, 5" X 3"
5	2289812	1	SIGN	2	WARNING SIGN: AUTHORIZED PERSONNEL
11	46-255814P1	2	LABEL	50	MAGNETIC WARNING LABEL, 2.5" X 1.5"
19	46-282214P1	2	LABEL	2	COOLANT CAUTION LABEL
21	46-301671P1	2	LABEL	1	WARNING PLACARD

CATALOG M1060LB FRU N 1.5T FIXED CARDIAC WideOpen ENCLOSURE

Item	Part Number	FRU	Name	Quantity	Description (Remarks)
1	2226300	N	1.5T LCC MAG	1	LCC 1.5T WideOpen MAGNET CAT (SEE MAGNET MANUAL)
1B	2226300-2	N	1.5T LCC MAG	ALT	LCC 1.5T-WideOpen MAG, "YR SERIES" (SEE MAG MANUAL)
2	2222520	N	COLLECTOR	1	COLLECTOR,MAGNET MONITOR (SEE PAGE 1-175)
3	2230589	N	ENCLOSURE,CA	1	ENCLOSURE,FIXED CARDIAC WideOpen (SEE PAGE 1-117)

CARDIAC WideOpen FXD ENCL 2230589 FRU N (PART OF M1060LB PAGE 1-117)

Item	Part Number	FRU	Name	Quantity	Description (Remarks)
1	2200563-5	2	MOUNTING KIT	1	LCC CRM BODY COIL MOUNTS W/PADS (SEE PAGE 1-129)
1B	2200563-3	2	MOUNTING KIT	ALT	BODY COIL MOUNTING KIT LCC CRM (SEE PAGE 1-127)
2	2235160	2	CARDIAC ENCL	1	ENCLOSURE,CARDIAC FIXED WideOpen (SEE SECTION 2)

CATALOG M1061LA FRU N 1.5T MOBILE WideOpen ENCLOSURE

Item	Part Number	FRU	Name	Quantity	Description (Remarks)
1A	2226322	N	1.5T LCC MOB	1	1.5T LCC/WO MOBILE MAGNET (SEE MAGNET MANUAL)
1B	2226322-2	N	1.5T LCC MOB	ALT	1.5T LCC/WO MOB MAG, "YR SERIES" (SEE MAGNET MANUAL)
2	2222520-2	N	COLLECTOR	1	COLLECTOR, MAGNET MNITR, MOB (SEE PAGE 1-176)
3A	2222560	N	COLLECTOR	1	COLLECTOR,LCC MOB BRMF WideOpen (SEE PAGE 1-118)
3B	2308298	N	BOX	1	COLLECTOR,LCC, MOB BRMF, WideOpen (SEE PAGE 1-118)
4	2226326	N	SHIPPING COL	1	SHIP COLLECTOR FOR LCC/WO MOBILE (SEE PAGE 1-118)

**LCC WideOpen MOBILE ENCLOSURE 2222560 FRU N (PART 3A OF M1061LA PAGE 1-118)
(PART 3A OF M1861LA PAGE 1-119)**

Item	Part Number	FRU	Name	Quantity	Description (Remarks)
1	2214166-5	N	INSTALLATION	1	LCC BRM-F BODY COIL MOUNTS W/PADS (SEE PAGE 1-126)
2	2222558-2	N	ENCLOSURE, F	1	ENCLOSURE,MOBILE WideOpen,LCC (SEE SECTION 2)

WideOpen MOB ENCL w/SPLIT BRIDGE 2308298 FRU N (PART 3B OF M1061LA PAGE 1-118)

Item	Part Number	FRU	Name	Quantity	Description (Remarks)
1	2214166-5	1	INSTALLATION	1	BRM-F LCC GRAD ISO MOBILE INSTALL (SEE PAGE 1-126)
2	2308291-2	1	BOX	1	ENCL,MOBILE,SPLIT BRIDGE, WideOpen (SEE SECTION 2)

**WideOpen MOBILE ENCL COLLECTOR 2226326 FRU N (PART 4 OF M1061LA PAGE 1-118)
(PART 4 OF M1861LA PAGE 1-119)
(PART 4 OF M3061LA PAGE 1-120)**

Item	Part Number	FRU	Name	Quantity	Description (Remarks)
3	46-318057G2	2	VENT ASSEMBL	1	VENTGLAS KIT FOR Cx MOBILE (SEE MAGNET MANUAL)
4	46-258770G4	N	SIGN KIT	1	WARNING SIGN AND LABEL SET (SEE PAGE 1-116)
5	2128700	N	MRU KIT	1	MRU KIT ASSEMBLY (SEE MAGNET MANUAL)
8	46-294744G5	N	FLDSPARE KIT	1	FIELDSPARE KIT - LCC (SEE MAGNET MANUAL)
9	46-318565G1	N	VAC TOOL KIT	1	SIV VACUUM TOOL KIT. (SEE MAGNET MANUAL)
11	2230707-2	N	LADDER/PLATF	1	LADDER/PLATFORM,WIDE OPEN,MOBILE
12	2251611	2	RACEWAY	2	RACEWAY,FLEXIBLE CORRUGATED,ORANGE
13	2226264	N	BRACKET ASM	1	WIDE OPEN DOCK MOUNT & CNTRL BOX (SEE SECTION 2)
14A	46-271260G4	N	DOCK ASM.	1	INFINITY WIDEOPEN DOCK ASSEMBLY (SEE SECTION 2)
14B	46-271260G3	N	DOCK ASM.	ALT	WIDE OPEN DOCK ASSEMBLY (SEE SECTION 2)
15	2217622	2	BRACKET KIT	1	BRCKT KIT,SHIM LEAD MOUNTING,LCC (SEE MGNT MANUAL)
16	2349529	N	DISK	1	RUPTURE DISK

CATALOG M1061LB FRU N 1.5T MOBILE CARDIAC WideOpen ENCLOSURE

Item	Part Number	FRU	Name	Quantity	Description (Remarks)
1A	2226322	N	1.5T LCC MOB	1	1.5T LCC/WO MOBILE MAGNET (SEE MAGNET MANUAL)
1B	2226322-2	N	1.5T LCC MOB	1	1.5T LCC/WO MOB MAG "YR SERIES" (SEE MAGNET MANUAL)
2	2222520-2	N	COLLECTOR	1	COLLECTOR,MAGNET MONITR, MOB (SEE PAGE 1-176)
3	2230589-2	N	ENCLOSURE,CA	1	ENCLOSURE,MOBILE CARDIAC WideOpen (SEE PAGE 1-118)

LCC MOB CARDIAC WideOpen ENCL 2230589-2 FRU N (PART OF M1061LB PAGE 1-118)

Item	Part Number	FRU	Name	Quantity	Description (Remarks)
1A	2200563-6	N	MOUNTING KIT	1	LCC CRM BODY COIL MOUNTS W/PADS (SEE PAGE 1-131)
1B	2200563-3	2	MOUNTING KIT	ALT	BODY COIL MOUNTING KIT LCC CRM (SEE PAGE 1-127)
2	2235160-2	2	CARDIAC ENCL	1	ENCLOSURE,CARDIAC MOBILE WideOpen (SEE SECTION 2)

CATALOG M1860LA FRU N 1.0T FIXED WideOpen ENCLOSURE

Item	Part Number	FRU	Name	Quantity	Description (Remarks)
1A	2226333	N	1.0T LCC/WO	1	1.0T LCC-WideOpen FIXED MAGNET (SEE MAGNET MANUAL)
1B	2226333-2	N	1.0T LCC/WO	ALT	1.0T WideOpen FIX MAG,"YQ SERIES" (SEE MAGNET MANUAL)
1C	2243334	N	CATALOG COLL	ALT	COLLECTOR,1.0T,Q-R LCC,FIXED (SEE MAGNET MANUAL)
1D	2243334-2	N	CATALOG COLL	ALT	COLL,1.0T,Q-R,FIXED,"YQ SERIES" (SEE MAGNET MANUAL)
2	2222520	N	COLLECTOR	1	COLLECTOR,MAGNET MONITOR (SEE PAGE 1-175)
3A	2222521	N	COLLECTOR	1	LCC BRM-F FIXED,WideOpen (SEE PAGE 1-116)
3B	2307972	N	BOX	1	LCC, FIXED BRIDGE, WideOpen (SEE PAGE 1-116)
4	2226311	N	SHIPPING COL	1	SHIP COLLECTOR FOR LCC/WO FIXED (SEE PAGE 1-116)

CATALOG M1861LA FRU N 1.0T MOBILE WideOpen ENCLOSURE

Item	Part Number	FRU	Name	Quantity	Description (Remarks)
1A	2226334	N	1.0T LCC/WO	1	1.0T LCC-WideOpen MOBILE MAG (SEE MAGNET MANUAL)
1B	2226334-2	N	1.0T LCC/WO	1	1.0T WideOpen MOB MAG,"YQ SERIES" (SEE MAG MANUAL)
2	2222520-2	N	COLLECTOR	1	MAGNET MONITOR, MOBILE (SEE PAGE 1-176)
3	2222560	N	COLLECTOR	1	LCC MOBILE BRM-F WideOpen (SEE PAGE 1-118)
4	2226326	N	SHIPPING COL	1	SHIP COLLECTOR FOR LCC/WO MOBILE (SEE PAGE 1-118)

CATALOG M3060TA FRU N 1.5T TwinSpeed FIXED WideOpen ENCLOSURE

Item	Part Number	FRU	Name	Quantity	Description (Remarks)
1A	2226300	N	1.5T LCC MAG	1	LCC 1.5T-WideOpen MAGNET CAT (SEE MAGNET MANUAL)
1B	2226300-2	N	1.5T LCC MAG	ALT	LCC 1.5T-WideOpen MAG , "YR SERIES" (SEE MAG MANUAL)
2	2304069	N	KIT OF PARTS	1	TWIN MAGNET MONITOR, FIXED (SEE PAGE 1-177)
3	2297123	N	ASSEMBLY	1	COLLECTOR LCC FIXED TWIN (SEE PAGE 1-120)
4	2226311	N	SHIPPING COL	1	SHIP COLLECTOR FOR LCC/WO FIXED (SEE PAGE 1-116)

TwinSpeed FIXED ENCLOSURE 2297123 FRU N (PART 3 OF M3060TA PAGE 1-120)

Item	Part Number	FRU	Name	Quantity	Description (Remarks)
2	2297122	N	ASSEMBLY	1	FIX SITE TWIN ENCLOSURE LCC (SEE PAGE 2-341)
5	2297692	N	KIT OF PARTS	1	GRADIENT INSTALLATION, TRM, LCC (SEE PAGE 1-132)

CATALOG M3061TA FRU N 1.5T TwinSpeed MOBILE WideOpen ENCLOSURE

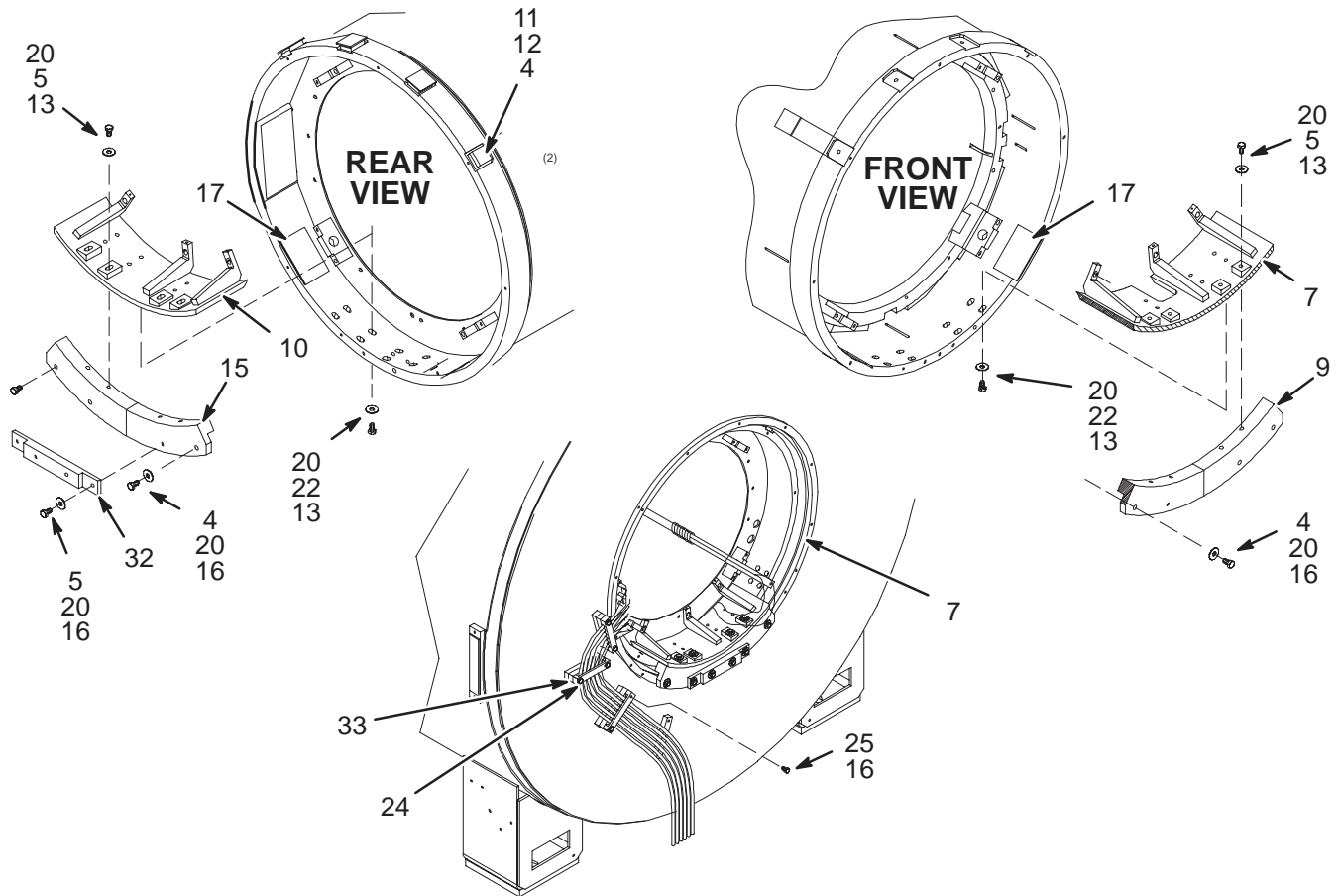
Item	Part Number	FRU	Name	Quantity	Description (Remarks)
1A	2226322	N	1.5T LCC MOB	1	1.5T WideOpen MOBILE MAGNET (SEE MAGNET MANUAL)
1B	2226322-2	N	1.5T LCC MOB	ALT	1.5T WideOpen, MOB MAG, "YR SERIES" (SEE MAG MANUAL)
2	2304069-2	N	KIT OF PARTS	1	TWIN MAG MONITOR COLLECTOR, MOBILE (SEE PAGE 1-177)
3	2297124	N	ASSEMBLY	1	COLLECTOR, LCC MOBILE TWIN (SEE PAGE 1-120)
4	2226326	N	SHIPPING COL	1	SHIP COLLECTOR FOR LCC/WO MOBILE (SEE PAGE 1-118)

TwinSpeed MOBILE ENCLOSURE 2297124 REV 0 (PART 3 OF M3061TA PAGE 1-120)

Item	Part Number	FRU	Name	Quantity	Description (Remarks)
2	2297122-2	N	ASSEMBLY	1	MOB SITE TWIN ENCLOSURE LCC (SEE PAGE 2-343)
5	2297692	N	KIT OF PARTS	1	GRADIENT INSTALLATION, TRM, LCC (SEE PAGE 1-132)

LCC BRM-F WideOpen BODY COIL MOUNTING KIT – FIXED SITE

2214166-2



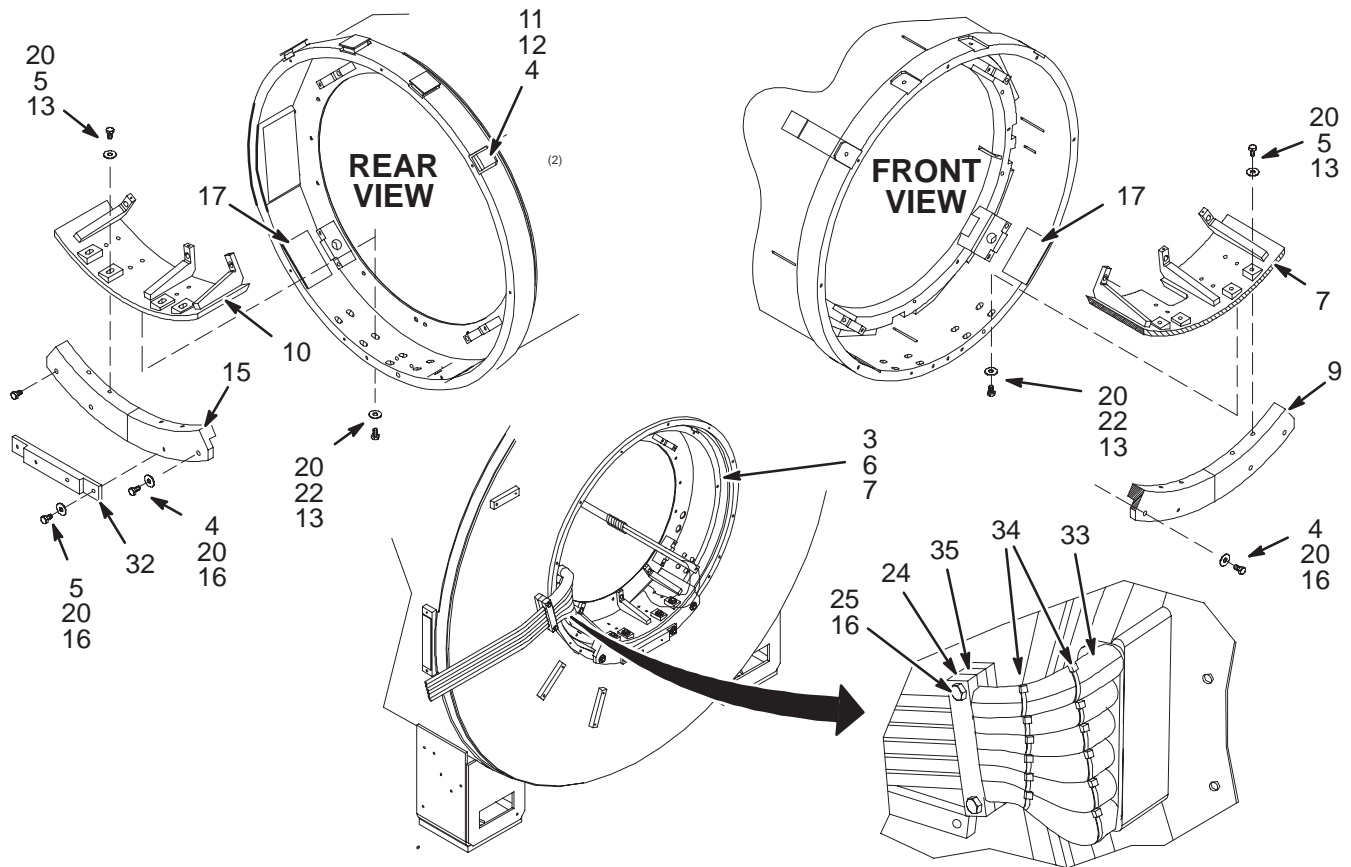
LCC BRM-F W-O BODY COIL MNT-FXD 2214166-2 FRU N

(PART OF 2222521 PAGE 1-116)
(PART OF 2222560 PAGE 1-118)

Item	Part Number	FRU	Name	Quantity	Description (Remarks)
4	2109866-21	2	SCREW	6	SCREW HEXAGON HEAD 10 MM 30 MM
5	2109866-23	2	SCREW	10	SCREW HEXAGON HEAD 10 MM 40 MM
7	2179397-3	N	BRM ISOLATIO	2	OPEN FOAM CAULKING STRIP – .500" THK
8	2147826	2	PART	1	FRONT SUPPORT MTG.
9	2213168	2	SUPPORT	1	DRM FRONT LOWER SUPPORT
10	2213167	2	SUPPORT	1	DRM REAR LOWER SUPPORT
11	2212715	2	BEARING SHIM	8	LCC BRM MOUNTING
12	2108933-2	2	PART	8	CAP SCREW, SPECIAL, HEX HEAD METRIC
13	46-170686P3	2	ADHESIVE	AR	LOCTITE 242, 50CC
14	46-170684P2	2	ADHESIVE	AR	LOCTITE 271, 10CC BOTTLE
15	2174668	2	PART	1	REAR SUPPORT MTG
16	46-294151P8	2	ADHES SPEC	AR	BOSTIK "NEVER-SEEZE" LUBRICATING
17	2181231	2	PART	4	FILLER PAD Cx
19	2157414	2	TAPE	AR	3M TARTAN FILAMENT TAPE 48MM X 55M
20	2184009	2	WASHER	32	WASHER PLAIN – NORMAL 10.5 MM 18 MM
22	2109872-16	2	SCREW	16	SCREW BUTTON HEAD
24	2214162	2	CLAMP	3	GRADIENT CABLE CLAMP
25	2109866-22	2	SCREW	6	SCREW HEXAGON HEAD 10 MM 35 MM
32	2235604	2	SPACER	1	ENDBELL PLATE MOUNTING SPACER
33	2239148-2	2	BLOCK	3	SPACER BLOCK AND NUT STRIP BLOCK

LCC BRM-F WideOpen BODY COIL MOUNTING KIT – MOBILE

2214166-3

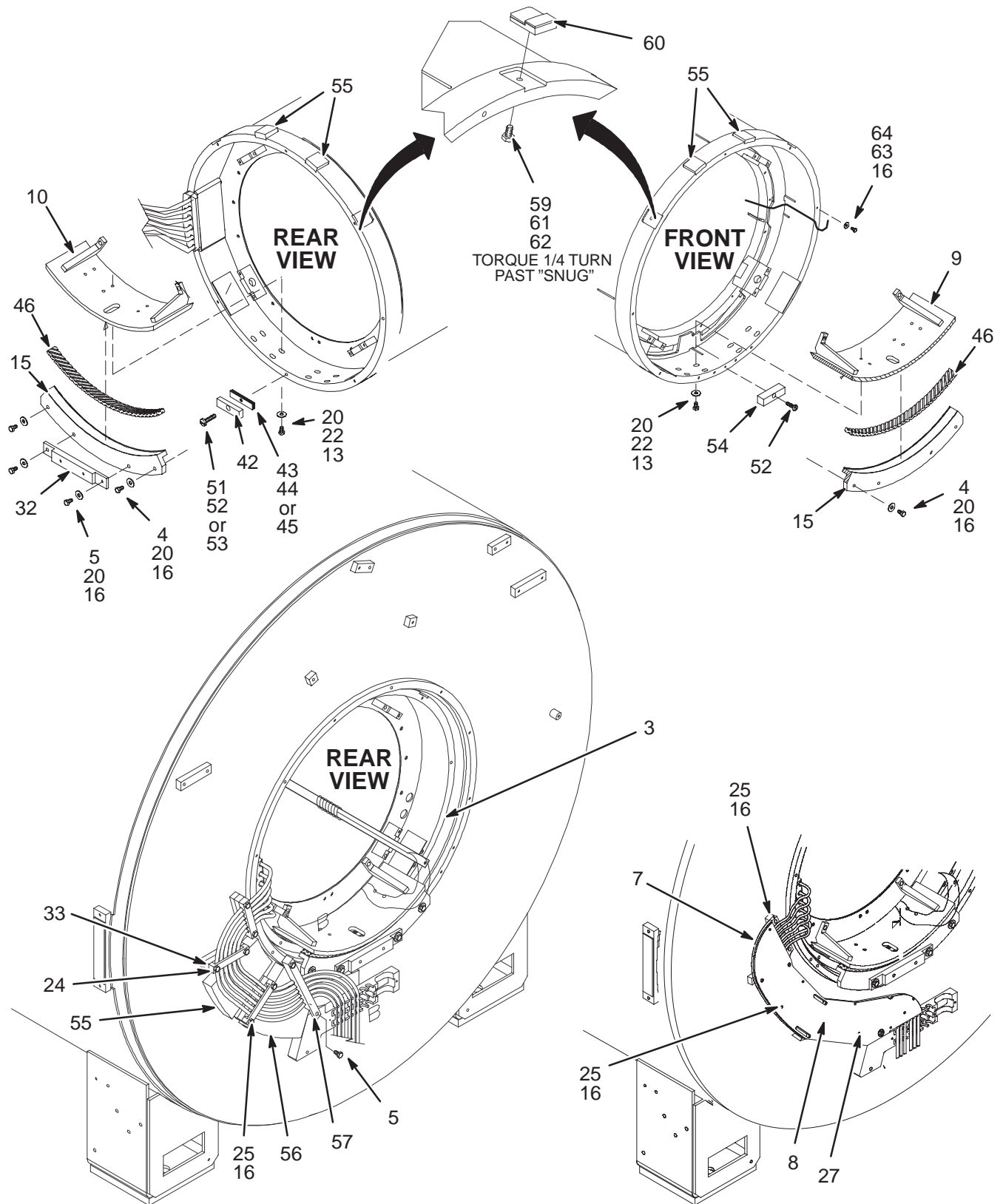


LCC BRM-F W-O BODY COIL MNT-MOB2214166-3 FRU N

Item	Part Number	FRU	Name	Quantity	Description (Remarks)
4	2109866-21	2	SCREW	6	SCREW HEXAGON HEAD 10 MM 30 MM
5	2109866-23	2	SCREW	10	SCREW HEXAGON HEAD 10 MM 40 MM
7	2179397-3	N	BRM ISOLATIO	2	OPEN FOAM CAULKING STRIP - .500" THK
8	2147826	2	PART	1	FRONT SUPPORT MTG.
9	2213168	2	SUPPORT	1	DRM FRONT LOWER SUPPORT
10	2213167	2	SUPPORT	1	DRM REAR LOWER SUPPORT
11	2212715	2	BEARING SHIM	8	LCC BRM MOUNTING
12	2108933-2	2	PART	8	CAP SCREW, SPECIAL, HEX HEAD METRIC
13	46-170686P3	2	ADHESIVE	AR	LOCTITE 242, 50CC
14	46-170684P2	2	ADHESIVE	AR	LOCTITE 271, 10CC BOTTLE
15	2174668	2	PART	1	REAR SUPPORT MTG
16	46-294151P8	2	ADHES SPEC	AR	BOSTIK "NEVER-SEEZE" LUBRICATING
17	2181231	2	PART	4	FILLER PAD CONQUEST
19	2157414	2	TAPE	AR	3M TARTAN FILAMENT TAPE 48MM X 55M
20	2184009	2	WASHER	32	WASHER PLAIN - NORMAL 10.5 MM 18 MM
22	2109872-16	2	SCREW	16	SCREW BUTTON HEAD
24	2214162	2	CLAMP	1	GRADIENT CABLE CLAMP
25	2109866-24	2	SCREW	2	SCREW HEXAGON HEAD 10 MM 50 MM
32	2235604	2	SPACER	1	ENDBELL PLATE MOUNTING SPACER
33	2239904-2	2	PIPE INSULAT	6	PIPE INSULATION
34	46-208758P3	2	TY-RAP OLD	12	7.31" X .184" SELF-LOCKING CABLE TIE
35	2239148-2	2	BLOCK	1	SPACER BLOCK AND NUT STRIP BLOCK

BRM-F WideOpen GRADIENT ISOLATION BODY COIL MOUNTING KIT – FIXED SITE

2214166-4



BRM-F BODY COIL MOUNTING-FXD 2214166-4 FRU N

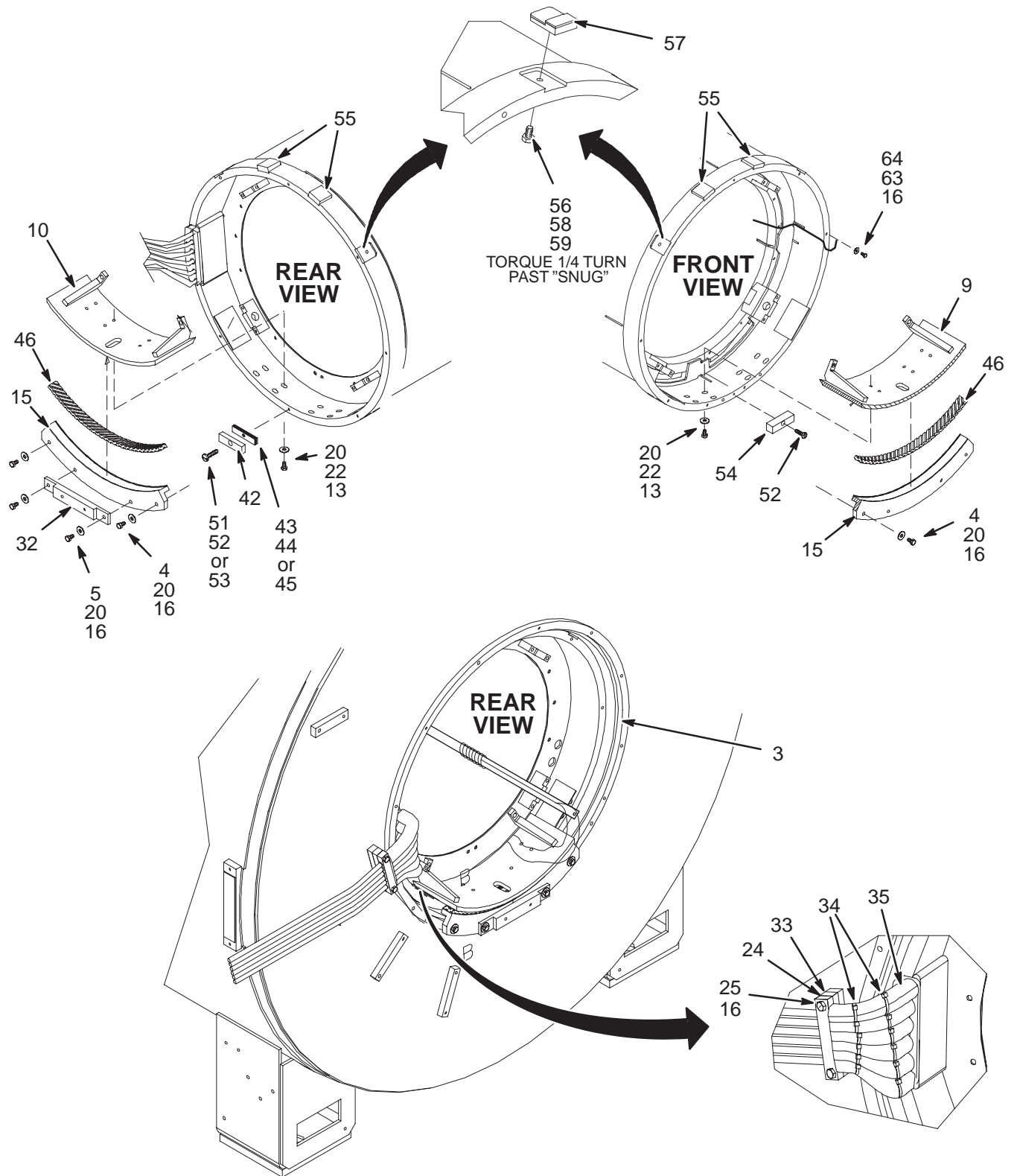
(PART 1 OF 2222521 PAGE 1-116)

(PART 1 OF 2307972 PAGE 1-116)

Item	Part Number	FRU	Name	Quantity	Description (Remarks)
3	2379255	2	FOAM	1.0	FOAM, GRAY TEXTURED SURFACE, 116"LG.
4	2109866-21	2	PDM PART	6.0	SCREW HEXAGON HEAD 10 MM 30 MM
5	2109866-23	2	PDM PART	2.0	CAP SCREW HEXAGON HEAD
7	2370629	N	LEAD BOARD	1.0	LEAD BOARD, BRM CABLES, LCC
8	2370909	N	COVER	1.0	COVER, BRM LEAD BOARD, LCC
9	2213168-2	2	SUPPORT	1.0	FRONT LOWER SUPPORT
10	2213167-2	2	SUPPORT	1.0	REAR LOWER SUPPORT
13	46-170686P3	2	ADHESIVE OLD	0.1	LOCTITE 242, 50CC
15	2240708	2	SUPPORT MOUN	2.0	SUPPORT MOUNTING
16	46-294151P8	2	ADHES SPEC	0.5	BOSTIK "NEVER-SEEZE" LUBRICATING
17	2181231	2	PART	4.0	FILLER PAD CONQUEST
20	2184009	2	WASHER	22.0	WASHER PLAIN - NORMAL 10.5 MM 18 MM
22	2109872-16	2	PDM PART	16.0	SCREW BUTTON HEAD
24	2214162	2	PART	3	GRADIENT CABLE CLAMP
25	2109866-22	N	PDM PART	4.0	CAP SCREW HEXAGON HEAD
26	2109866-20	N	PDM PART	3.0	SCREW HEXAGON HEAD 10 MM 25 MM
27	2109873-26	N	PDM PART	8.0	SCREW PAN HEAD 6 MM 20 MM
32	2235604	2	SPACER	1.0	ENDBELL PLATE MOUNTING SPACER
33	2239148-2	2	BLOCK	3	SPACER BLOCK AND NUT STRIP BLOCK
42	2238907	2	SPACER	1.0	SPACER
43	2238908	2	SPACER	2.0	SPACER SHIM 1.5MM THK
44	2238908-2	2	SPACER	6.0	SPACER SHIM 2.4MM THK
45	2238908-3	2	SPACER	1.0	SPACER SHIM 16MM THK
46	2241176	2	RUBBER PAD	2.0	RUBBER ISOLATION PAD
51	2209823-3	2	SCREW	1.0	SCREW CHEESE HEAD 10MM 20MM NYLON
52	2209823-4	2	SCREW	2.0	SCREW CHEESE HEAD 10MM 25MM NYLON
53	2209823-5	2	SCREW	1.0	SCREW CHEESE HEAD 10MM 35MM NYLON
54	2238907-2	2	SPACER	1.0	SPACER
55	2274743	2	SPACER	1	UPPER FOAM SPACER
56	2274744	2	SPACER	1	LOWER FOAM SPACER
58	2181231-2	N	PART	4.0	FILLER PAD CONQUEST -- DIECUT INSERTS
59	2293535	N	SET SCREW	4.0	SET SCREW - MTG.PAD
60	2212715-2	2	BEARING SHIM	4.0	LCC BRM MOUNTING
61	46-170684P2	N	PDM PART	0.01	LOCTITE 271, 10CC BOTTLE
62	2325862	N	HEX NUT	4.0	METRIC HEX NUT, NYLON
63	2109866-50	N	PDM PART	1.0	SCREW HEXAGON HEAD
64	46-294167P73	N	MTL CROSSREF	1.0	FLAT WASHER, METRIC, NYLON, M10
65	5139350	N	PDM PART	1.0	EDGE PROTECTOR PAD

BRM-F WideOpen GRADIENT ISOLATION BODY COIL MOUNTING KIT – MOBILE

2214166-5



BRM-F BODY COIL MOUNTING-MOB 2214166-5 FRU N

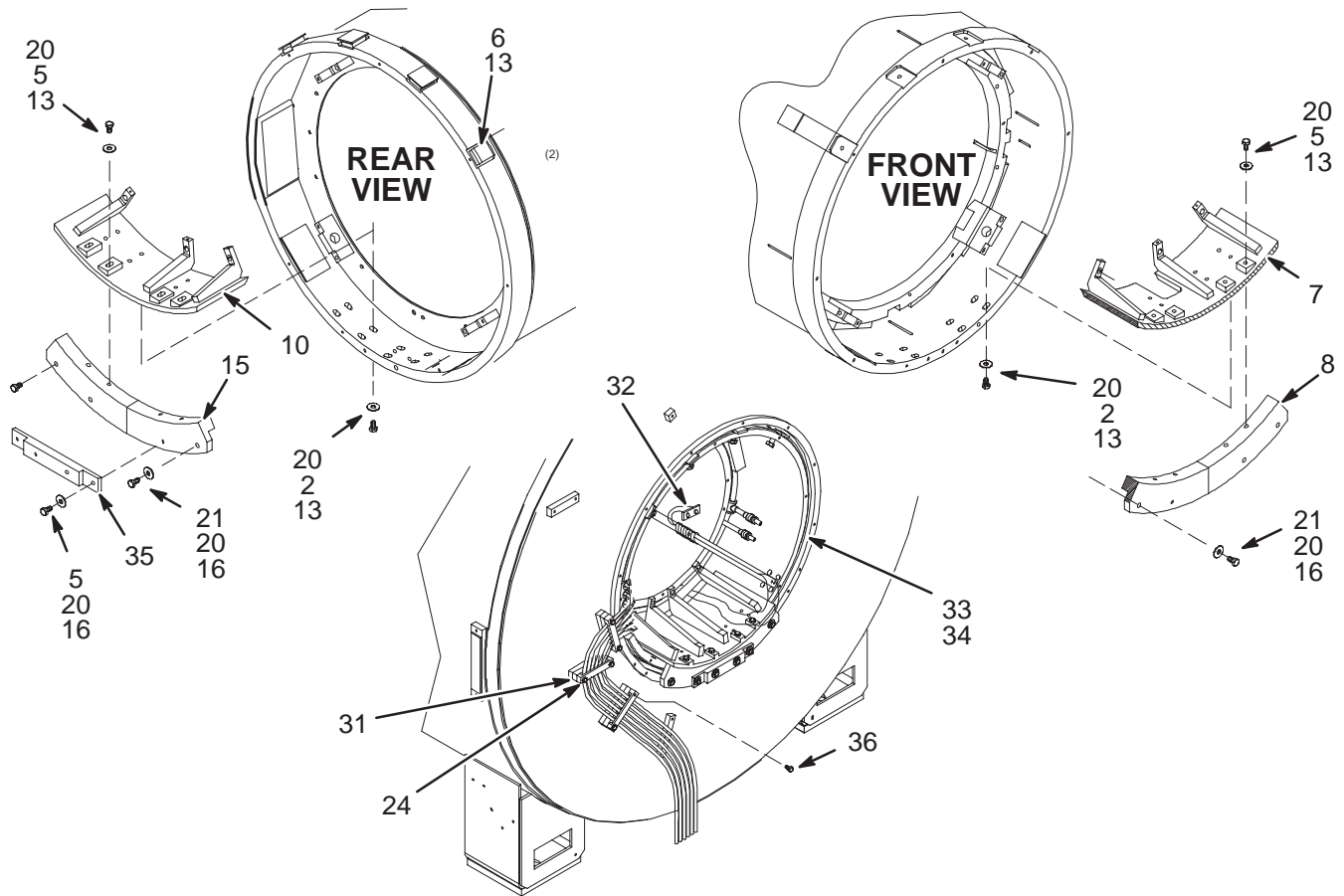
(PART 1 OF 2222560 PAGE 1-118)

(PART 1 OF 2308298 PAGE 1-118)

Item	Part Number	FRU	Name	Quantity	Description (Remarks)
3	2379255	2	FOAM	1.0	FOAM, GRAY TEXTURED SURFACE, 116"LG.
4	2109866-21	2	PDM PART	6.0	SCREW HEXAGON HEAD 10 MM 30 MM
5	2109866-23	2	PDM PART	2.0	CAP SCREW HEXAGON HEAD
9	2213168-2	2	SUPPORT	1.0	FRONT LOWER SUPPORT
10	2213167-2	2	SUPPORT	1.0	REAR LOWER SUPPORT
13	46-170686P3	2	ADHESIVE OLD	0.1	LOCTITE 242, 50CC
15	2240708	2	SUPPORT MOUN	2.0	SUPPORT MOUNTING
16	46-294151P8	2	ADHES SPEC	0.5	BOSTIK "NEVER-SEEZE" LUBRICATING
17	2181231	2	PART	4.0	FILLER PAD CONQUEST
19	2157414	2	OUT OF CATAL	0.2	3M TARTAN FILAMENT TAPE 48MM X 55M
20	2184009	2	WASHER	24.0	WASHER PLAIN - NORMAL 10.5 MM 18 MM
22	2109872-16	2	PDM PART	16.0	SCREW BUTTON HEAD
24	2214162	2	CLAMP	1.0	GRADIENT CABLE CLAMP
25	2109866-24	2	PDM PART	2.0	SCREW HEXAGON HEAD 10 MM 50 MM
32	2235604	2	SPACER	1.0	ENDBELL PLATE MOUNTING SPACER
33	2239148-2	2	BLOCK	1.0	SPACER BLOCK AND NUT STRIP BLOCK
34	46-208758P3	2	TY-RAP OLD	12.0	7.31" X .184" SELF-LOCKING CABLE TIE
35	2239904-2	2	PIPE INSULAT	6.0	PIPE INSULATION
42	2238907	2	SPACER	1.0	SPACER
43	2238908	2	SPACER	2.0	SPACER SHIM 1.5MM THK
44	2238908-2	2	SPACER	6.0	SPACER SHIM 2.4MM THK
45	2238908-3	2	SPACER	1.0	SPACER SHIM 16MM THK
46	2241176	2	RUBBER PAD	2.0	RUBBER ISOLATION PAD
51	2209823-3	2	SCREW	1.0	SCREW CHEESE HEAD 10MM 20MM NYLON
52	2209823-4	2	SCREW	3.0	SCREW CHEESE HEAD 10MM 25MM NYLON
53	2209823-5	2	SCREW	1.0	SCREW CHEESE HEAD 10MM 35MM NYLON
54	2238907-2	2	SPACER	1.0	SPACER
55	2181231-2	N	PART	4.0	FILLER PAD CONQUEST -- DIECUT INSERTS
56	2293535	N	SET SCREW	4.0	SET SCREW - MTG.PAD
57	2212715-2	2	BEARING SHIM	4.0	LCC BRM MOUNTING
58	46-170684P2	N	PDM PART	0.01	LOCTITE 271, 10CC BOTTLE
59	2325862	N	HEX NUT	4.0	METRIC HEX NUT, NYLON
63	2109867-21	N	SCREW	1.0	SCREW HEX SOCKET CAP M10X16 A2-70
64	46-294167P73	N	MTL CROSSREF	1.0	FLAT WASHER, METRIC, NYLON, M10

LCC CRM BODY COIL MOUNTING KIT

2200563-3



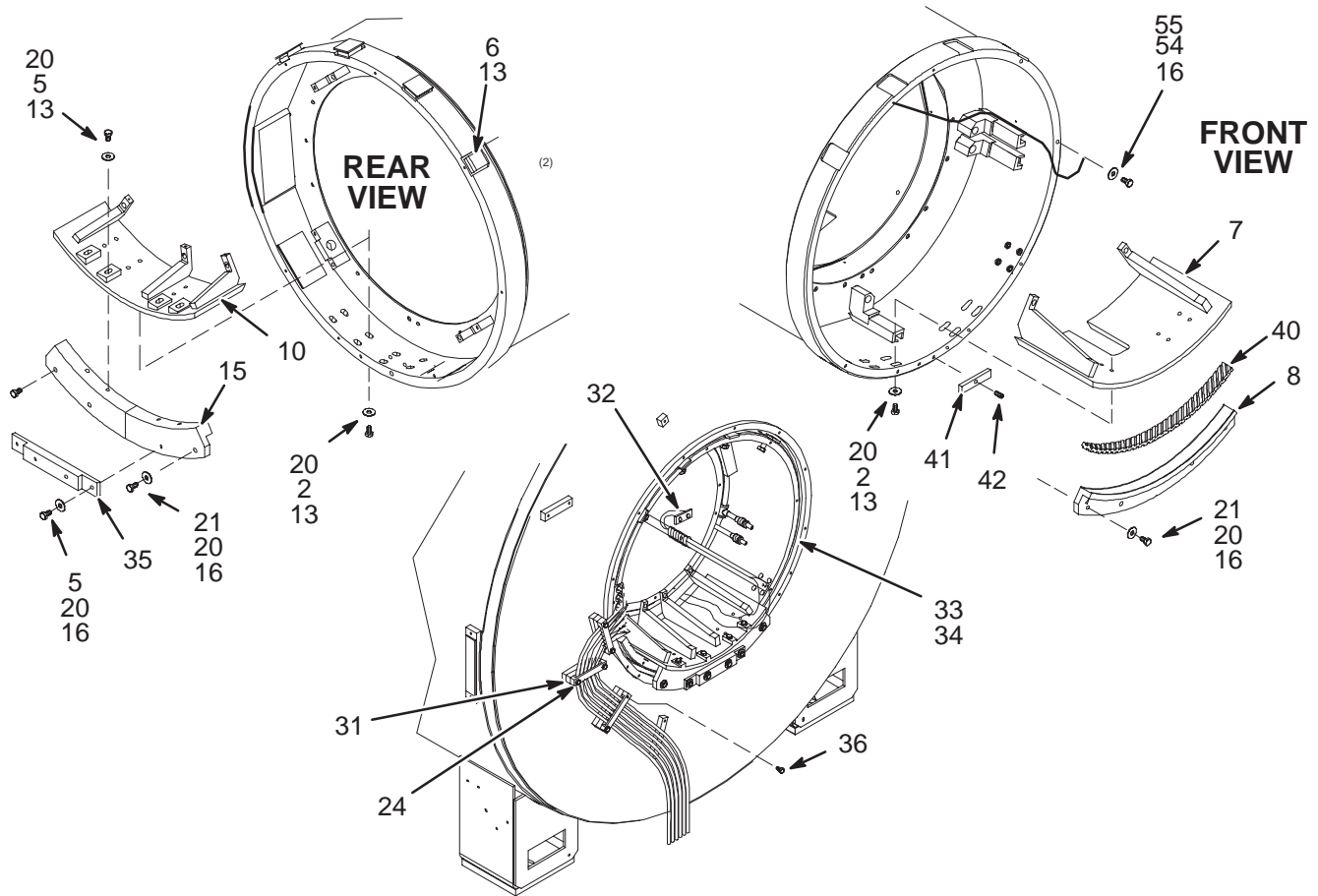
LCC CRM BODY COIL MOUNTING KIT 2200563-3 FRU N

(PART OF 2230589 PAGE 1-117)
(PART OF 2230589-2 PAGE 1-118)

Item	Part Number	FRU	Name	Quantity	Description (Remarks)
2	2109872-16	2	SCREW	16	SCREW BUTTON HEAD
5	2109866-23	2	SCREW	10	SCREW HEXAGON HEAD 10 MM 40 MM
6	2131956-2	2	CAP SCREW	8	SCREW M16 HEX HD SST 18-8 40MM LG
7	2189813	2	SUPPORT	1	CRM FRONT SUPPORT
8	2189817	2	SUPPORT MTG	1	CRM FRONT SUPPORT MOUNTING
9	2131953-3	2	MTG PAD	8	MTG PAD
10	2189814	2	SUPPORT	1	CRM REAR SUPPORT
13	46-170686P2	2	ADHESIVE	AR	LOCTITE 242, 10CC
15	2189818	2	SUPPORT MTG	1	CRM REAR SUPPORT MOUNTING
16	46-294151P8	2	ADHES SPEC	AR	BOSTIK "NEVER-SEEZE" LUBRICATING
19	2157414	2	TAPE	AR	3M TARTAN FILAMENT TAPE 48MM X 55M
20	2109878-4	2	WASHER	32	WASHER PLAIN - NORMAL 10.5 MM 20 MM
21	2109866-21	2	SCREW	6	SCREW HEXAGON HEAD 10 MM 30 MM
24	2214162	2	CLAMP	3	GRADIENT CABLE CLAMP
32	2139560	2	PART	1	BULKHEAD ASM
33	2179397-3	N	BRM ISOLATIO	2	OPEN FOAM CAULKING STRIP - .500" THK
34	2185175-2	2	FOAM	2	FOAM, CLOSED CELL, CRM
35	2235604	2	SPACER	1	ENDBELL PLATE MOUNTING SPACER
36	2109866-24	2	SCREW	6	SCREW HEXAGON HEAD 10 MM 5 MM
37	2239148-2	2	SPACER	3	SPACER BLOCK AND NUT STRIP

CRM WideOpen GRADIENT ISOLATION BODY COIL MOUNTING KIT – FIXED SITE

2200563-5



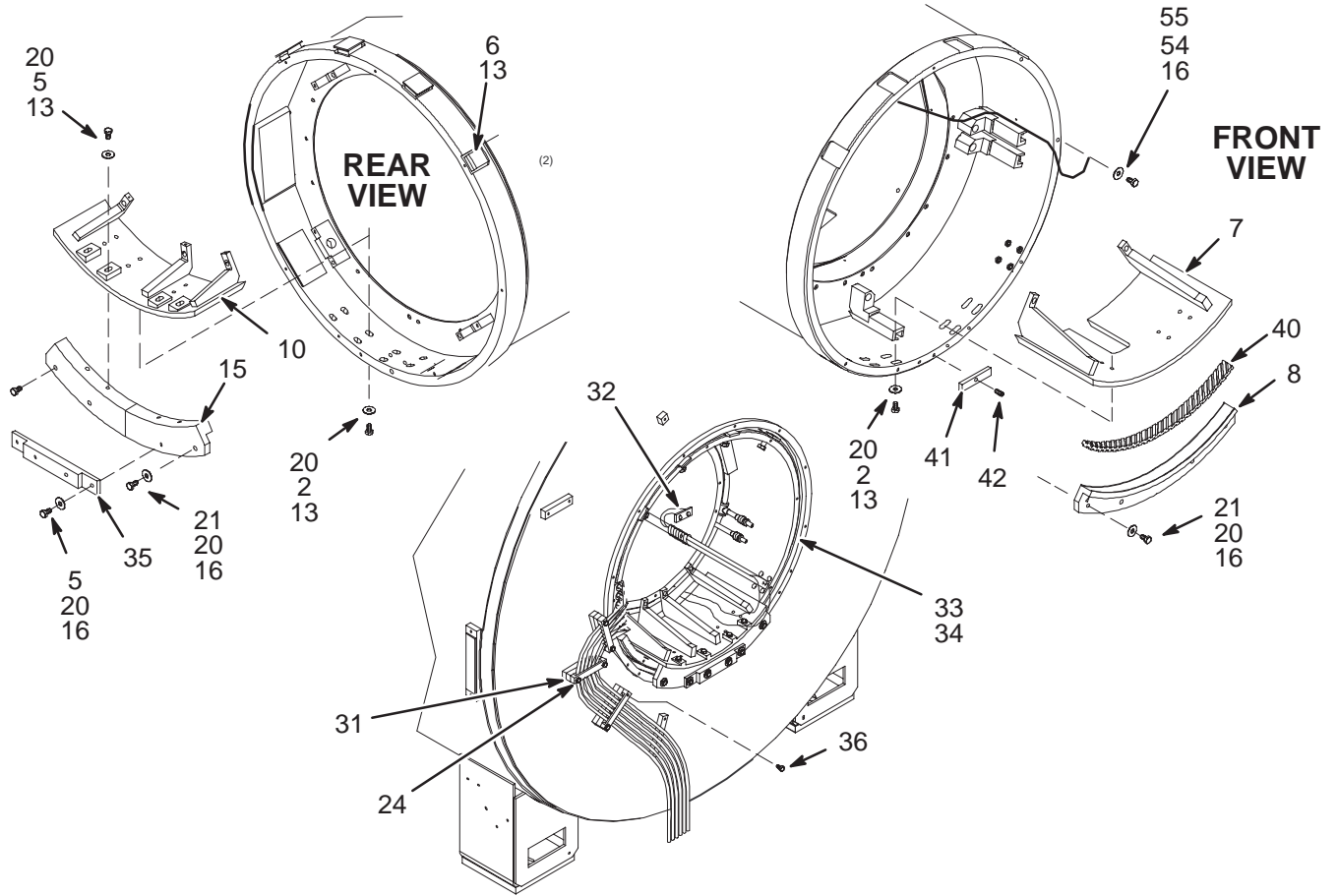
CRM BODY COIL MOUNTING KIT-FXD 2200563-5 FRU N

(PART OF 2230589 PAGE 1-117)

Item	Part Number	FRU	Name	Quantity	Description (Remarks)
2	2109872-16	2	SCREW	16	SCREW BUTTON HEAD
5	2109866-23	2	SCREW	4	CAP SCREW HEXAGON HEAD
7	2189813-2	2	SUPPORT	1	CRM FRONT SUPPORT
8	2240708	2	SUPPORT MOUN	1	SUPPORT MOUNTING
10	2189814-2	2	SUPPORT	1	CRM REAR SUPPORT
13	46-170686P2	2	ADHESIVE	AR	LOCTITE 242, 10CC
15	2246675	2	SUPPORT MOUN	1	CRM REAR SUPPORT MOUNTING
16	46-294151P8	2	ADHES SPEC	AR	BOSTIK "NEVER-SEEZE" LUBRICATING
19	2157414	2	TAPE	AR	3M TARTAN FILAMENT TAPE 48MM X 55M
20	2109878-4	2	WASHER	24	WASHER PLAIN - NORMAL 10.5 MM 20 MM
21	2109866-21	2	SCREW	6	SCREW HEXAGON HEAD 10 MM 30 MM
24	2214162	2	CLAMP	3	GRADIENT CABLE CLAMP
32	2139560	2	BULKHEAD ASM	1	BULKHEAD ASSEMBLY
33	2174929-9	N	CONFOR FOAM	2	OPEN CELL POLYURETHANE FOAM, 112" LG
35	2235604	2	SPACER	1	ENDBELL PLATE MOUNTING SPACER
36	2109866-24	2	SCREW	6	SCREW HEXAGON HEAD 10 MM 50 MM
37	2239148-2	2	BLOCK	3	SPACER BLOCK AND NUT STRIP BLOCK
40	2241176	2	RUBBER PAD	2	RUBBER ISOLATION PAD
41	2238908-4	2	SPACER	1	SPACER SHIM 10MM THK
42	2251294	2	SCREW	2	SCREW SET SCREW 10 MM 20 MM-GRUB
43	2238908	2	SPACER	2	SPACER SHIM 1.5MM THK
44	2238908-2	2	SPACER	6	SPACER SHIM 2.4MM THK
46	2251295	2	SCREW	1	SCREW SET SCREW 10 MM 25 MM-GRUB
47	2274743	2	SPACER	1	UPPER FOAM SPACER
48	2274744	2	SPACER	1	LOWER FOAM SPACER
49	2274745	2	BRACKET	1	GRADIENT CABLE BRACKET
50	2181231-2	2	PART	4	FILLER PAD CONQUEST-DIECUT INSERTS
51	2131956-2	2	CAP SCREW	4	SCREW M16 HEX HD SST 18-8 40MM LG
52	2131953-4	N	MTG PAD	4	MTG PAD, 1/4" THICK NEOPRENE
53	46-170684P2	2	ADHESIVE	AR	LOCTITE 271, 10CC BOTTLE
54	2109867-21	N	SCREW	1	SCREW HEX SOCKET CAP M10X16 A2-70
55	46-294167P73	N	MTL CROSSREF	1	FLAT WASHER, METRIC, NYLON, M10

CRM WideOpen GRADIENT ISOLATION BODY COIL MOUNTING KIT – MOBILE

2200563-6



CRM BODY COIL MOUNTING—MOB 2200563-6 FRU N (PART OF 2230589-2 PAGE 1-118)

Item	Part Number	FRU	Name	Quantity	Description (Remarks)
2	2109872-16	2	SCREW	16	SCREW BUTTON HEAD
5	2109866-23	2	SCREW	2	CAP SCREW HEXAGON HEAD
7	2189813-2	2	SUPPORT	1	CRM FRONT SUPPORT
8	2240708	2	SUPPORT MOUN	1	SUPPORT MOUNTING
10	2189814-2	2	SUPPORT	1	CRM REAR SUPPORT
13	46-170686P2	2	ADHESIVE	AR	LOCTITE 242, 10CC
15	2246675	2	SUPPORT MOUN	1	CRM REAR SUPPORT MOUNTING
16	46-294151P8	2	ADHES SPEC	AR	BOSTIK "NEVER-SEEZE" LUBRICATING
19	2157414	2	TAPE	AR	3M TARTAN FILAMENT TAPE 48MM X 55M
20	2109878-4	2	WASHER	24	WASHER PLAIN - NORMAL 10.5 MM 20 MM
21	2109866-21	2	SCREW	6	SCREW HEXAGON HEAD 10 MM 30 MM
24	2214162	2	CLAMP	1	GRADIENT CABLE CLAMP
32	2139560	2	BULKHEAD ASM	1	BULKHEAD ASSEMBLY
33	2379255	1	FOAM	2	FOAM, GRAY TEXTURED SURFACE, 116"LG.
35	2235604	2	SPACER	1	ENDBELL PLATE MOUNTING SPACER
36	2109866-24	2	SCREW	2	SCREW HEXAGON HEAD 10 MM 50 MM
37	2239148-2	2	BLOCK	1	SPACER BLOCK AND NUT STRIP BLOCK
38	2239904-2	2	PIPE INSULAT	6	PIPE INSULATION
39	46-208758P3	2	TY-RAP	12	7.31" X .184" SELF-LOCKING CABLE TIE
40	2241176	2	RUBBER PAD	2	RUBBER ISOLATION PAD
41	2238908-4	2	SPACER	1	SPACER SHIM 10MM THK
42	2251294	2	SCREW	2	SCREW SET SCREW 10 MM 20 MM—GRUB
43	2238908	2	SPACER	2	SPACER SHIM 1.5MM THK
44	2238908-2	2	SPACER	6	SPACER SHIM 2.4MM THK
46	2251295	2	SCREW	1	SCREW SET SCREW 10 MM 25 MM—GRUB
50	2181231-2	2	PART	4	FILLER PAD CONQUEST—DIECUT INSERTS
51	2131956-2	2	CAP SCREW	4	SCREW M16 HEX HD SST 18-8 40MM LG
52	2131953-4	N	MTG PAD	4	MTG PAD, 1/4" THICK NEOPRENE
53	46-170684P2	2	ADHESIVE	AR	LOCTITE 271, 10CC BOTTLE
54	2109867-21	N	SCREW	1	SCREW HEX SOCKET CAP M10X16 A2-70
55	46-294167P73	N	MTL CROSSREF	1	FLAT WASHER, METRIC, NYLON, M10

TRM BODY COIL MOUNTING KIT

2297692 FRU N

(PART 5 OF 2297123 PAGE 1-120)

(PART 5 OF 2297124 PAGE 1-120)

Item	Part Number	FRU	Name	Quantity	Description (Remarks)
2	2272016	N	PART	2	SUPPORT MOUNTING, TRM
3	2238908	N	SPACER	3	SPACER SHIM 1.5MM THK
4	2238908-2	N	SPACER	3	SPACER SHIM 2.4MM THK
5	2238908-3	N	SPACER	2	SPACER SHIM 16MM THK
6	2241176	1	RUBBER PAD	2	RUBBER ISOLATION PAD
7	2209823-4	N	SCREW	2	SCREW CHEESE HEAD 10MM 25MM NYLON
8	2209823-5	N	SCREW	1	SCREW CHEESE HEAD 10MM 35MM NYLON
9	2354503	1	MOUNT	4	MOUNTING PAD, UPPER RADIAL, TRM
10	2355333	1	SET SCREW	4	SET SCREW,SPHERICAL POINT,M12,SS304
11	2293771	1	SHIM SPACER	4	RADIAL SHIM SPACER 1.5MM THK.
12	2293771-2	1	SHIM SPACER	8	RADIAL SHIM SPACER 0.8MM THK.
15	2306226	N	MAGNET RING	2	MAGNET RING
16	2306184	N	PART	2	WEDGE RING
17	2310035	1	PART	2	MAGNET WEDGE SEAL MRTRM
18	2246966	1	PART	2	MAGNET RING GASKET
19	2109872-13	N	SCREW	32	SCREW BUTTON HEAD 10 MM 25 MM
20	2284172	N	PART	1	MAGNET RING BRACKET
21	2109873-25	N	SCREW	2	SCREW PAN HEAD Z M6X16 A2-70
22	2109866-22	N	SCREW	8	CAP SCREW HEXAGON HEAD
23	2229794	N	WASHER PLAST	4	M6 NYLON WASHER
24	2297760	1	MISCELLANEOU	0.050	VACUUM GREASE MSDS# 8366442
25	2184009	N	WASHER	8	WASHER PLAIN - NORMAL 10.5 MM 18 MM
26	2251294	N	SCREW	4	SCREW SET SCREW 10 MM 20 MM—GRUB
27	2310034	N	PART	12	RADIAL FOOT PAD MRTRM
28	2238908-4	N	SPACER	1	SPACER SHIM 10MM THK
29	2355368	1	HEX NUT	4	HEX NUT, M12, NYLON 6/6

1-18 BODY COILS

CATALOG M1085BD FRU N 1.5T 60cm EPOXY FILLED BODY COIL

Item	Part Number	FRU	Name	Quantity	Description (Remarks)
1	2124500-3	N	RF GRAD COIL	1	1.5T UFI RF GRADIENT BODY COIL (SEE PAGE 1-135)
2	2137234	N	RF CABLE KIT	1	1.5T RF/GRAD COIL RF INPUT CABLE KIT (SEE PAGE 1-133)

CATALOG M1085BF FRU N 1.5T 60cm BRM-D BODY COIL

Item	Part Number	FRU	Name	Quantity	Description (Remarks)
1A	2329824	N	COLLECTOR	1	1.5T LONG RF/GRADIENT ASM (SEE PAGE 1-133)
1B	2124500-5	N	1.5T RF/GRAD	1	1.5T UFI RF GRADIENT BRM-D BODY COIL (SEE PAGE 1-135)
2	2137234	N	RF CABLE KIT	1	1.5T RF/GRAD COIL RF INPUT CABLE KIT (SEE PAGE 1-133)
9	2138791	N	ANTIFREEZE	6	BODY COIL COOLANT,1 GALLON CONTAINER
10	46-208758P5	N	PDM PART	100	SELF LOCKING CABLE TIE
	2262660-4	2	HOSE BARB		0.5" TUBE TO BARB, ACETAL GRAY

1.5T LONG RF/GRADIENT COIL 2329824 FRU N (PART OF M1085BF PAGE 1-133)

Item	Part Number	FRU	Name	Quantity	Description (Remarks)
1	2124500-7	N	1.5T RF/GRAD	1	GEMSPRO 1.5T RF/GRAD COIL - LONG ASM (SEE PAGE 1-136)

CATALOG M1085BG FRU N 1.5T 60cm BRM-F BODY COIL

Item	Part Number	FRU	Name	Quantity	Description (Remarks)
1A	2329822	N	COLLECTOR	1	1.5T SHORT RF/GRADIENT ASM (SEE PAGE 1-133)
1B	2220092	N	PART	1	1.5T RF GRADIENT COIL ASM 600 BRM-F (SEE PAGE 1-139)
2	2137234	2	RF CABLE KIT	1	1.5T RF/GRAD COIL RF INPUT CABLE KIT (SEE PAGE 1-133)
3	46-170448P1	2	TAPE	1	GREY, 3/4" POLYVINYL ELECTRICAL TAPE
4	2138791	2	ANTIFREEZE	11	BODY COIL COOLANT,1 GALLON CONTAINER
	2262660-4	2	HOSE BARB		0.5" TUBE TO BARB, ACETAL GRAY

1.5T 60cm SHORT RF/GRADIENT COIL 2329822 FRU N (PART OF M1085BG PAGE 1-133)

Item	Part Number	FRU	Name	Quantity	Description (Remarks)
1	2220092-3	N	PART	1	BRM-F 1.5T SHORT RF/GRADIENT ASM (SEE PAGE 1-139)

1.5T RF/GRAD COIL CABLES 2137234 FRU N (PART 2 OF M1085BD PAGE 1-133)
(PART 2 OF M1085BF PAGE 1-133)
(PART 2 OF M1085BG PAGE 1-133)
(PART 2 OF M1085KD PAGE 1-143)
(PART 2 OF M3085TA PAGE 1-153)

Item	Part Number	FRU	Name	Quantity	Description (Remarks)
1	2105691-4	2	1.5T CABLE	1	(743) MG2-A12-A1-J2 TO MG3-A3-J3
2	2105691-5	2	1.5T CABLE	1	(744) MG2-A12-A1-J1 TO MG3-A3-J4

1.5T 60cm RF/GRADIENT BODY COIL

2124500-3 & 2124500-5

NOTE 1: FOR REPLACEMENT OF S-SERIES GRADIENT COIL ONLY ORDER T3014HB

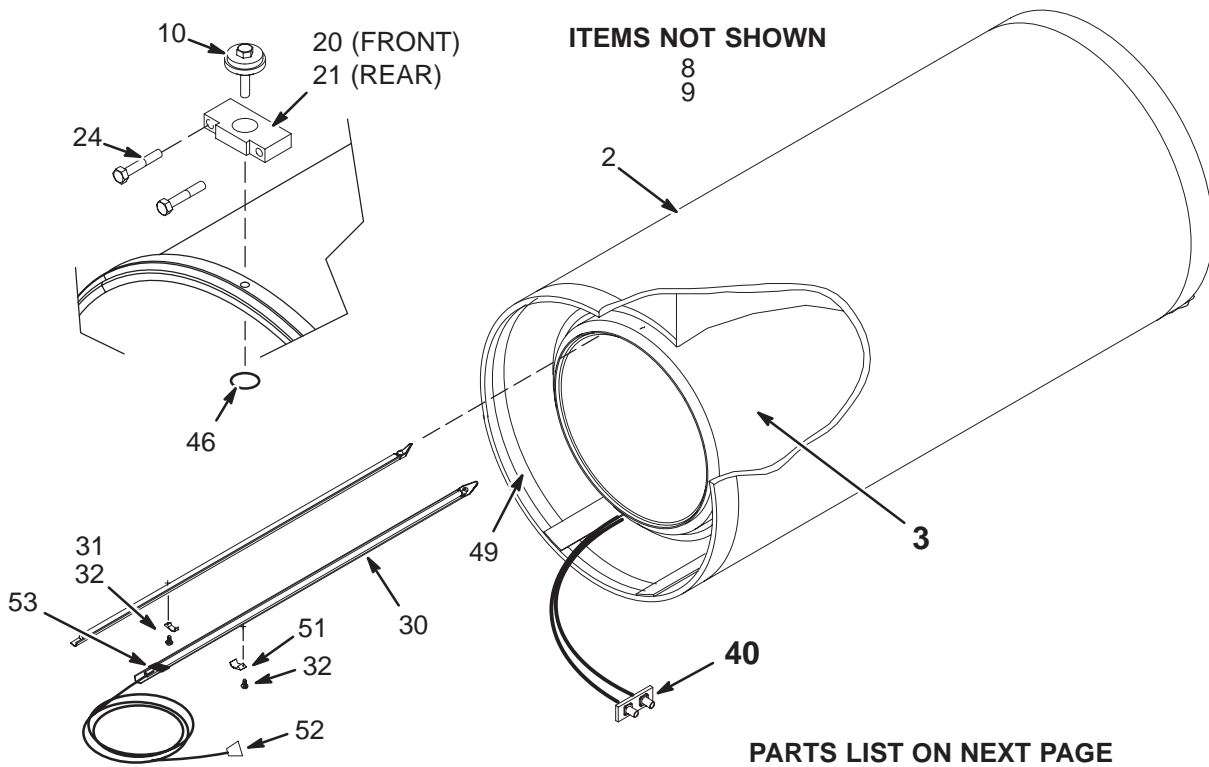
This assembly includes the cart and One-piece Shield with short (about 2 ft long) gradient cables (2124499-3). It does not include the RF Coil Asm (46-328500G1).

NOTE 2: FOR REPLACEMENT OF Cx GRADIENT COIL ONLY ORDER 2144093-3

This assembly includes the Coil Cart, Aluminum Cradle, and Cx One-piece Shield with short (about 2 ft long) gradient cables (2124499-4). It does not include the RF Coil Asm (46-328500G1).

NOTE 3: FOR REPLACEMENT OF LCC GRADIENT COIL ONLY ORDER 2144093-5

This assembly includes the Coil Cart, Aluminum Cradle, and LCC One-piece Shield with long (about 10 ft long) gradient cables (2124499-7). It does not include the RF Coil Asm (46-328500G1). Make sure the Gradient Coil Splice Kit (2241521) is part of replacement order.



1.5T 60cm BRM-D BODY COIL

2124500-7 FRU N

(PART OF 2329824 PAGE 1-133)

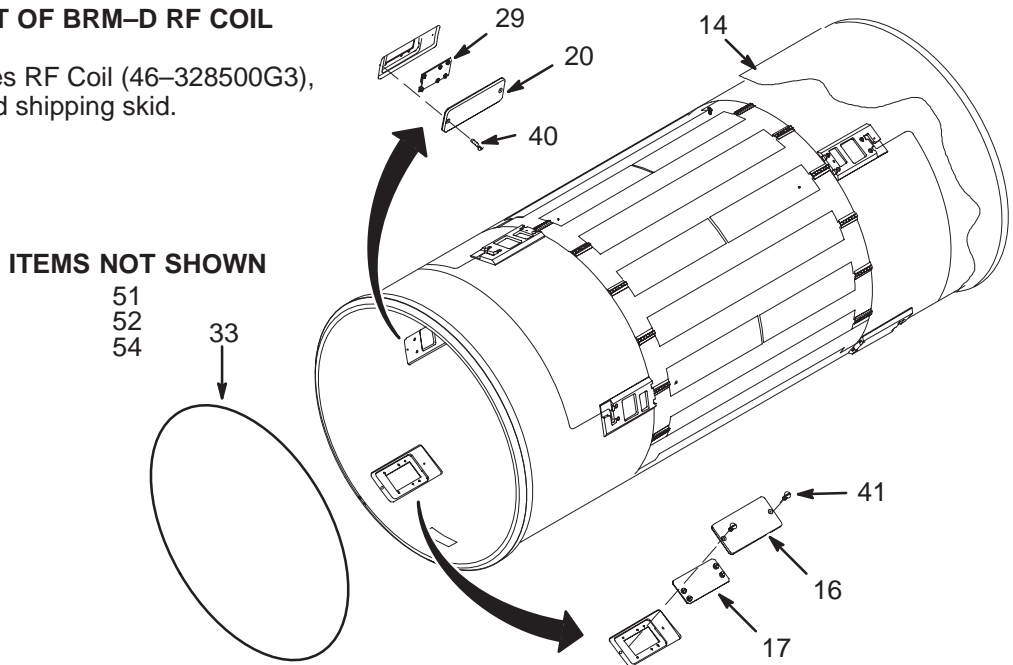
Item	Part Number	FRU	Name	Quantity	Description (Remarks)
2	2124499-6	N	GRAD COIL	1	GEMSPRO GRADIENT COIL W/SHIELD
	2241521	1	SPLICE KIT	1	GRADIENT COIL SPLICE KIT (SEE PAGE 1-143)
3	46-328500G3	N	1.5T RF COIL	1	GEMSPRO 1.5T RF COIL - LONG (SEE PAGE 1-137)
	2208999-6	1	REPLACEMENT ASM	1	RF COIL & CASE - ORDER FOR RF COIL REPLACEMENT
8	46-170448P1	N	TAPE	1	GREY, 3/4" POLYVINYL ELECTRICAL TAPE
9	2138791	N	ANTIFREEZE	6	BODY COIL COOLANT, 1 GALLON CONTAINER
10	2214148	N	RF SHOCK MTG	8	BRM-D RF TUBE MOUNT ASSEMBLY
20	2204496	N	BRACKET	4	REAR DRM ISOLATION BRACKET
21	2204495	N	BRACKET	4	FRONT DRM ISOLATION BRACKET
24	2109866-25	N	SCREW	8	SCREW HEXAGON HEAD 10 MM 60 MM
30	46-282830G1	N	BORE LT ASM	2	BORE LIGHT TUBE ASSEMBLY
31	46-282702P1	N	CLIP CENTER	1	BORE LIGHT TUBE CLAMP, MOLDED LEXAN
32	46-214704P5	N	SCREW CH NYL	4	CHEESE HEAD SCREW, NYLON, M4 X 8MM
40	2139560	N	BULKHEAD ASM	1	BULKHEAD ASSEMBLY
46	2136115	N	STICKER,ADHS	8	HOLE COVER STICKERS UFI
49	46-136246P21	N	TAPE	20	2" WIDE X 25 YD WHITE VELCRO HOOKS
51	2180582	N	CLAMP	1	CLIP, LIGHT AND CABLE
55	2109866-26	N	SCREW	8	SCREW HEXAGON HEAD 10 MM 80 MM
	2262660-4	2	HOSE BARB		0.5" TUBE TO BARB, ACETAL GRAY

1.5T 60cm RF COIL ASM – LONG

46-328500G1 & 46-328500G3

**FOR REPLACEMENT OF BRM-D RF COIL
ORDER 2208999-6**

This assembly includes RF Coil (46-328500G3),
RF Coil FRU case and shipping skid.



1.5T 60cm RF COIL ASM – LONG

46-328500G1 FRU 1

(PART 3 OF 2124500-3 PAGE 1-135)
(PART 3B OF 2124500-5 PAGE 1-135)

Item	Part Number	FRU	Name	Quantity	Description (Remarks)
14	2121204	2	INSULATION	1	RF BODY COIL INSULATION JACKET
16	2112601	2	COVER	2	BIAS RESISTOR BOARD COVER
17	2113284	1	CIRCUIT BD	2	1.0/1.5T BIAS RESISTOR CIRCUIT BOARD
20A	2112594-2	N	COVER	8	DYNAMIC DISABLE BOARD COVER, MOLDED
20B	2112594	N	COVER	ALT	DYNAMIC DISABLE BOARD COVER, MACHINED
29	2113280	1	CIRCUIT BOAR	8	1.5T DYNAMIC DISABLE
33	2121182	2	O RING	AR	AMBER LATEX TUBING
40	2137219-2	2	M6 NYLON SCR	2	M6 X 5 PAN HEAD SLOTTED NYLON METRIC
41	2137220	2	M6 NYLON SCR	20	M6 X 16 FLAT HEAD SLOTTED NYLON
51	46-220312P1	2	ADHESIVE	AR	LOCTITE SUPERBONDER 416,
52	46-208781P2	2	MARKER	2	WRITE-ON LABEL FOR MARKING CABLES
54	2143771-2	2	TEFLON TAPE	12	2" TEFLON TAPE

1.5T 60cm RF COIL ASM – LONG

46-328500G3 FRU 1

(PART 3A OF 2124500-5 PAGE 1-135)

Item	Part Number	FRU	Name	Quantity	Description (Remarks)
14	2121204	N	INSULATION	1	RF BODY COIL INSULATION JACKET
17	2113284	1	CIRCUIT BD	2	1.0/1.5T BIAS RESISTOR CIRCUIT BOARD
20A	2112594-2	N	COVER	8	DYNAMIC DISABLE BOARD COVER, MOLDED
29	2113280	1	CIRCUIT BOAR	8	1.5T DYNAMIC DISABLE
33	2121182	N	O RING	AR	1/4 OD, 5/32 ID AMBER LATEX SURGICAL
40	2137219-2	N	M6 NYLON SCR	2	M6 X 1.0 X 5 MM LG SLOTTED PAN HD
41	2137220	N	M6 NYLON SCR	20	M6 X 1.0 X 16 MM LG SLOTTED FLAT HD
51	46-220312P1	N	ADHESIVE	AR	LOCTITE SUPERBONDER 416,
52	46-208781P2	N	LABEL	2	WRITE-ON LABEL FOR MARKING CABLES
54	2143771-2	N	TEFLON TAPE	12	2" TEFLON TAPE

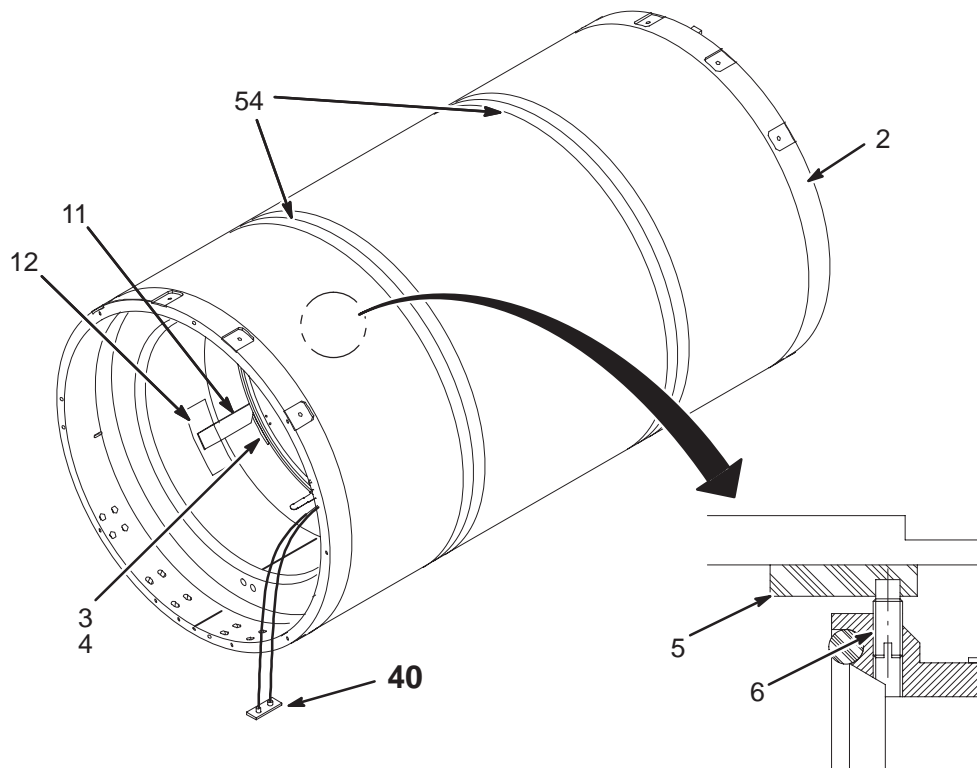
1.5T 60cm BRM-F BODY COIL

2220092

FOR REPLACEMENT OF GRADIENT COIL ONLY ORDER 2144093-5.

This assembly includes the Coil Cart, Aluminum Cradle, and LCC One-piece Shield (2124499-7). It does not include the RF Coil Asm (2218111-3).

Make sure the Gradient Coil Splice Kit (2241521) is part of replacement order.

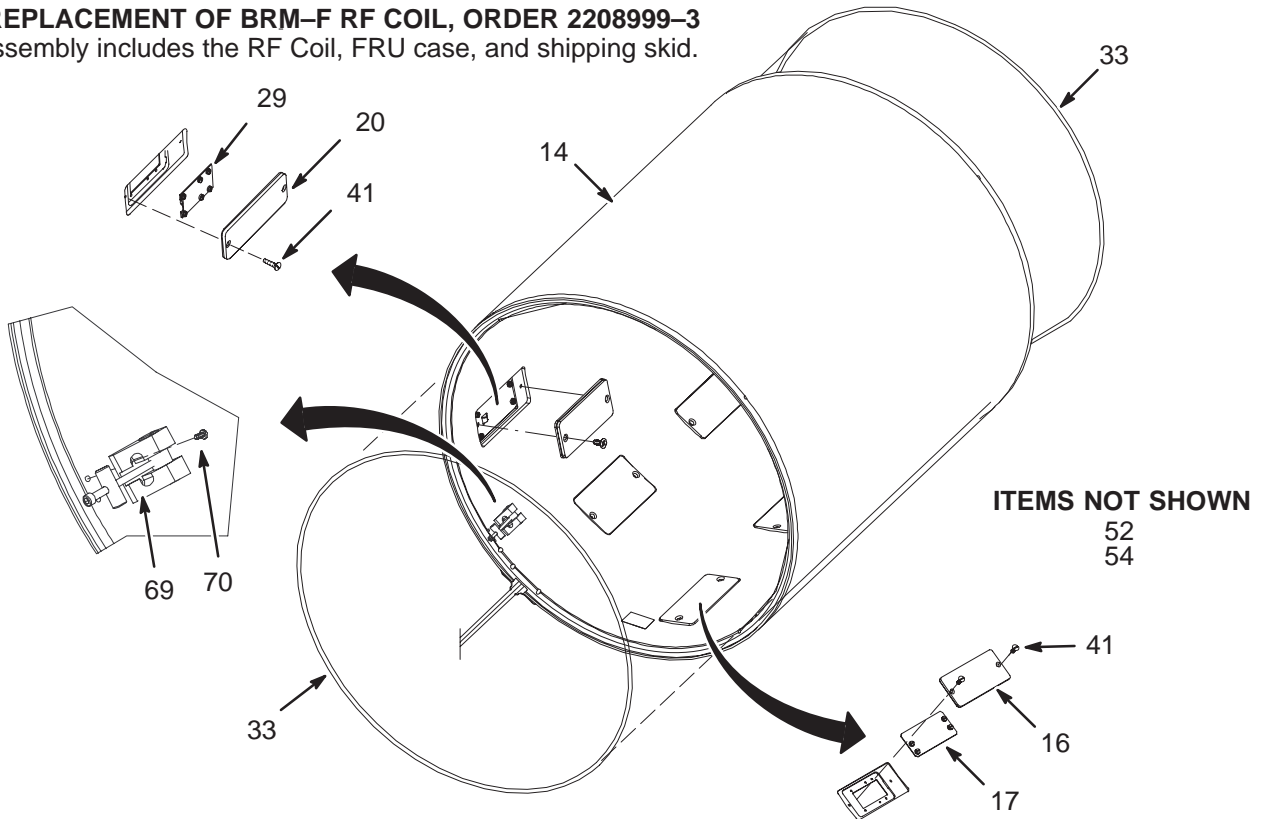


1.5T 60cm BRM-F RF COIL ASM

2218111 & 2218111-3

FOR REPLACEMENT OF BRM-F RF COIL, ORDER 2208999-3

This assembly includes the RF Coil, FRU case, and shipping skid.



1.5T 60cm BRM-F RF COIL ASM

2218111 FRU 1

(PART 3B OF 2220092 PAGE 1-139)

(PART 3B OF 2220092-3 PAGE 1-139)

Item	Part Number	FRU	Name	Quantity	Description (Remarks)
14	2220084-2	2	PART	1	JACKET,INSULATION,RF TUBE
16	2218101-2	2	PART	2	COVER,COLLECTOR,SHORT
17	2113284	1	CIRCUIT BD	2	1.0/1.5T BIAS RESISTOR CIRCUIT BOARD
20	2112594-2	2	COVER	8	DYNAMIC DISABLE BOARD COVER
29	2113280	1	CIRCUIT BD	8	1.5T DYNAMIC DISABLE
30	2137216	N	TAG, DANGER	2	WARNING LABEL
33	2121182	2	O RING	AR	1/4 OD, 5/32 ID AMBER LATEX TUBING
41	2137220	2	M6 NYLON SCR	20	M6 X 16 FLAT HEAD SLOTTED NYLON
52	46-208781P2	2	LABEL	2	WRITE-ON LABEL FOR MARKING CABLES
54	2143771-2	N	TEFLON TAPE	12	2" TEFLON TAPE
69	2255560	2	ASSEMBLY	4	DRAW LATCH ASSEMBLY
70	2227318-2	2	SCREW	8	SCREW CHEESE HEAD 5 MM 10 MM

1.5T 60cm BRM-F RF COIL ASM

2218111-3 FRU 1

(PART 3A OF 2220092 PAGE 1-139)

(PART 3A OF 2220092-3 PAGE 1-139)

Item	Part Number	FRU	Name	Quantity	Description (Remarks)
14	2220084-2	N	PART	1	JACKET,INSULATION,RF TUBE
16	2218101-2	N	PART	2	COVER,COLLECTOR,SHORT, MOLDED
17	2113284	1	CIRCUIT BD	2	1.0/1.5T BIAS RESISTOR CIRCUIT BOARD
20A	2112594-2	N	COVER	8	DYNAMIC DISABLE BOARD COVER, MOLDED
20B	2112594	N	COVER	ALT	DYNAMIC DISABLE BOARD COVER,MACHINED
29	2113280	1	CIRCUIT BOAR	8	1.5T DYNAMIC DISABLE
33	2121182	N	O RING	AR	1/4 OD, 5/32 ID AMBER LATEX SURGICAL
41	2137220	N	M6 NYLON SCR	20	M6 X 1.0 X 16 MM LG SLOTTED FLAT HD
52	46-208781P2	N	LABEL OLD	2	WRITE-ON LABEL FOR MARKING CABLES
54	2143771-2	N	TEFLON TAPE	12	2" TEFLON TAPE
69	2255560	N	ASSEMBLY	4	DRAW LATCH ASSEMBLY
70	2227318-2	N	SCREW	8	SCREW CHEESE HEAD 5 MM 10 MM

CATALOG M1085KB FRU N 50Hz WideOpen GRADIENT COIL CHILLER – FIXED

Item	Part Number	FRU	Name	Quantity	Description (Remarks)
1A	2222564-30	N	OUT OF CATAL	1	50 AND 60 HZ CHILLER BY LYTRON
1B	2222564-21	1	CHILLER	ALT	NESLAB 50 HZ GRADIENT CHILLER (SEE PAGE 1-142)
1C	2222564-3	N	CHILLER	ALT	NESLAB 50 HZ GRADIENT CHILLER

NESLAB 50Hz CHILLER 2222564-21 FRU 1 (PART OF M1085KB PAGE 1-142)

Item	Part Number	FRU	Name	Quantity	Description (Remarks)
1	2222564-4	2	CHILLER	1	NYLON COUPLING
2	2222564-5	2	CHILLER	1	WATER PUMP/NYLON COUPLING
3	2222564-6	2	CHILLER	1	50/60HZ PUMP MOTOR
4	2222564-7	2	CHILLER	1	REMOTE TEMP DEVICE
5	2222564-8	1	CHILLER	1	.25A/250V FUSE
6	2222564-9	2	CHILLER	1	CONTROLLER
7	2222564-10	2	CHILLER	1	PRESSURE GAUGE
8	2222564-11	2	CHILLER	1	STRAINER
9	2222564-12	2	CHILLER	1	RELIEF VALVE
10	2222564-13	2	CHILLER	1	SWITCH DPST
11	2222564-14	2	CHILLER	1	TRANSFORMER
12	2222564-15	2	CHILLER	1	SOLENOID COIL
13	2222564-16	2	CHILLER	1	CASTOR
14	2222564-17	2	CHILLER	1	CASTOR/BRAKE
16	2222564-19	2	CHILLER	1	50HZ FAN MOTOR
17	2222564-20	2	CHILLER	1	1/2" NIPPLE HOSE BARB WATER FITTING
20	2223355	2	PART	1	(065) WC1 TO PD1 POWER CABLE, 82 FT
21	2138791	2	ANTIFREEZE	1	BODY COIL COOLANT,1 GALLON CONTAINER

CATALOG M1085KC FRU N 60Hz WideOpen GRADIENT COIL CHILLER – FIXED

Item	Part Number	FRU	Name	Quantity	Description (Remarks)
1A	2222564-30	N	OUT OF CATAL	1	50 AND 60 HZ CHILLER BY LYTRON
1B	2222564-2	1	CHILLER	ALT	NESLAB 60 HZ GRADIENT CHILLER (SEE PAGE 1-142)

NESLAB 60Hz CHILLER 2222564-2 FRU 1 (PART OF M1085KC PAGE 1-142)

Item	Part Number	FRU	Name	Quantity	Description (Remarks)
1	2222564-4	2	CHILLER	1	NYLON COUPLING
2	2222564-5	2	CHILLER	1	WATER PUMP/NYLON COUPLING
3	2222564-6	2	CHILLER	1	50/60HZ PUMP MOTOR
4	2222564-7	2	CHILLER	1	REMOTE TEMP DEVICE
5	2222564-8	1	CHILLER	1	.25A/250V FUSE
6	2222564-9	2	CHILLER	1	CONTROLLER
7	2222564-10	2	CHILLER	1	PRESSURE GAUGE
8	2222564-11	2	CHILLER	1	STRAINER
9	2222564-12	2	CHILLER	1	RELIEF VALVE
10	2222564-13	2	CHILLER	1	SWITCH DPST
11	2222564-14	2	CHILLER	1	TRANSFORMER
12	2222564-15	2	CHILLER	1	SOLENOID COIL
13	2222564-16	2	CHILLER	1	CASTOR
14	2222564-17	2	CHILLER	1	CASTOR/BRAKE
15	2222564-18	2	CHILLER	1	60HZ FAN MOTOR
17	2222564-20	2	CHILLER	1	1/2" NIPPLE HOSE BARB WATER FITTING
20	2223355	2	PART	1	(065) WC1 TO PD1 POWER CABLE, 82 FT
21	2138791	2	ANTIFREEZE	1	BODY COIL COOLANT,1 GALLON CONTAINER

CATALOG M1085KD FRU N 1.5T 55cm CRM BODY COIL

Item	Part Number	FRU	Name	Quantity	Description (Remarks)
1	2195499	N	ASSEMBLY	1	CRM RF GRADIENT COIL (SEE PAGE 1-144)
	2144093-4	1	REPLACEMENT ASM	1	CRM GRADIENT COIL WITH CART & CRADLE
	2241521	1	SPLICE KIT	1	GRADIENT COIL SPLICE KIT (SEE PAGE 1-143)
2	2137234	N	RF CABLE KIT	1	1.5T RF/GRAD COIL RF INPUT CABLE KIT (SEE PAGE 1-133)
9	2138791	N	ANTIFREEZE	6	BODY COIL COOLANT,1 GALLON CONTAINER

GRADIENT COIL SPLICE KIT 2241521 FRU 1 (PART OF M1085KD, BF, BG, PAGE 1-143)

Item	Part Number	FRU	Name	Quantity	Description (Remarks)
1	2218148	2	INSULATOR	8	COLD SHRINK CONNECTOR INSULATOR
2	2218149	2	SPLICER	8	COPPER COMPRESSION TWO-WAY SPLICER

CATALOG M1085KF FRU N WideOpen GRADIENT COIL CHILLER – MOBILE

Item	Part Number	FRU	Name	Quantity	Description (Remarks)
1	2230235	1	CHILLER	1	MOBILE GRADIENT WATER CHILLER (SEE PAGE 1-143)

MOBILE GRADIENT COIL CHILLER 2230235 FRU 1 (PART OF M1085KF PAGE 1-143)

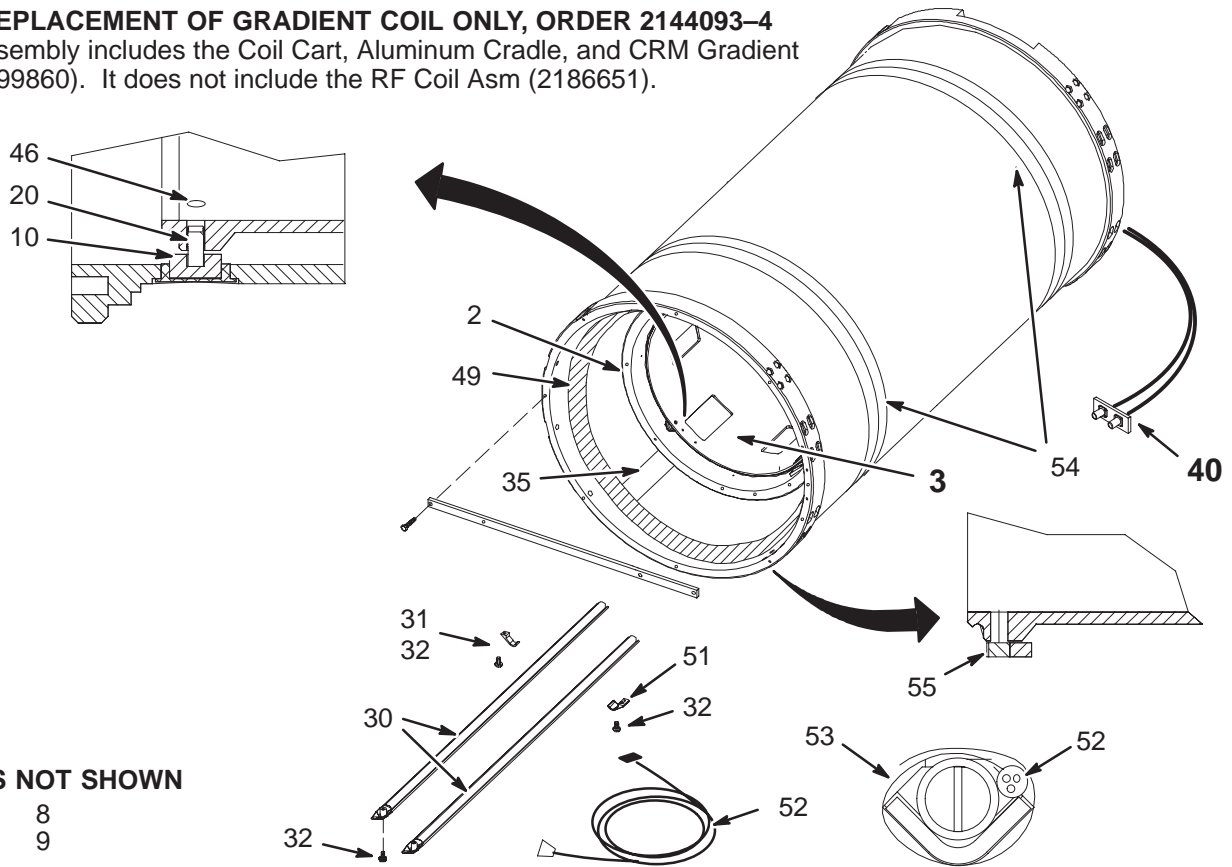
Item	Part Number	FRU	Name	Quantity	Description (Remarks)
1	2230235-2	2	CHILLER	1	RESERVOIR (R)
2	2230235-3	2	CHILLER	1	PUMP/MOTOR SET
3	2230235-4	2	CHILLER	1	ACCESS VALVE
4	2230235-5	2	CHILLER	1	STRAINER (S1)
5	2230235-6	2	CHILLER	1	HEAT EXCHANGER
6	2230235-7	2	CHILLER	1	BALL VALVE (BV)
7	2230235-8	2	CHILLER	1	TIME DELAY RELAY
8	2230235-9	2	CHILLER	1	INLET, ELECTRICAL, TWIST LOCK
9	2230235-10	2	CHILLER	1	TERMINAL BLOCK (TB1)
10	2230235-11	2	CHILLER	1	POWER-ON INDICATOR
11	2230235-12	2	CHILLER	1	LEVEL SWITCH (LS)
12	2230235-13	2	CHILLER	1	CONTACTOR (K1)
13	2230235-14	2	CHILLER	1	TRANSFORMER (T1)
14	2230235-15	2	CHILLER	1	CONTROLLER WITH SENSOR
15	2230235-16	2	CHILLER	1	TEMPERATURE DISPLAY (TD)
16	2230235-17	2	CHILLER	1	TEMPERATURE SENSOR (TS)
17	2230235-18	2	CHILLER	1	ACTUATOR (VA)
18	2230235-19	2	CHILLER	1	RESERVOIR CAP
19	2230235-20	2	CHILLER	1	AIR PURGE HOSE ASSEMBLY
20	2230235-21	2	CHILLER	1	ACCESS VALVE CAP
21	2230235-22	2	CHILLER	1	INTERLOCK SWITCH
22	2138791	2	ANTIFREEZE	1	BODY COIL COOLANT,1 GALLON CONTAINER
23	2230235-23	2	CHILLER	1	FLOW SWITCH
24	2230235-24	2	CHILLER	1	QUICK-DISCONNECT FACILITY
25	2230235-25	2	CHILLER	1	QUICK-DISCONNECT COIL
26	2230235-26	2	CHILLER	1	THERMOSTAT

1.5T 55cm CRM RF GRADIENT BODY COIL

2195499

FOR REPLACEMENT OF GRADIENT COIL ONLY, ORDER 2144093-4

This assembly includes the Coil Cart, Aluminum Cradle, and CRM Gradient coil (2199860). It does not include the RF Coil Asm (2186651).



ITEMS NOT SHOWN

- 8
- 9

1.5T 55cm CRM BODY COIL

2195499 FRU N

(PART OF 1 OF M1085KD PAGE 1-143)

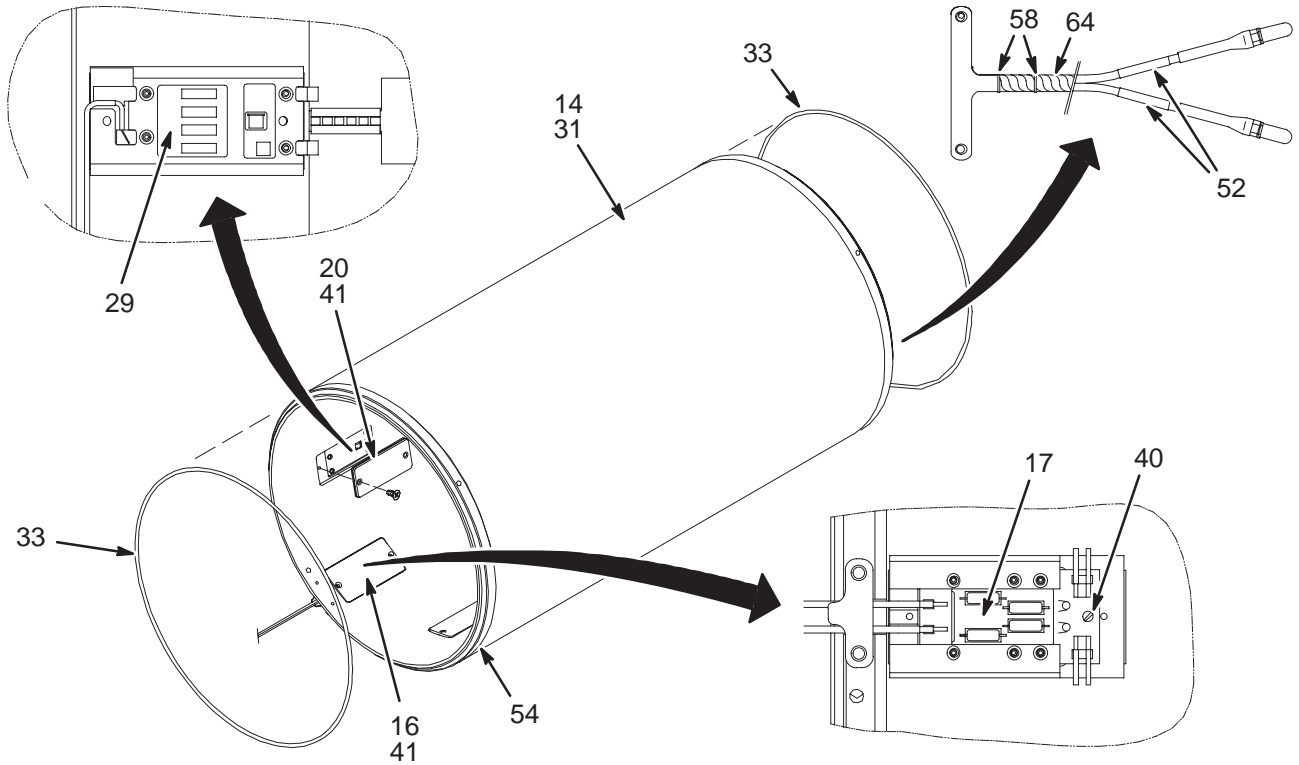
Item	Part Number	FRU	Name	Quantity	Description (Remarks)
2	2199860	2	PART	1	CRM GRAD COIL/RF SHIELD ASM
3	2186651	1	PART	1	RF COIL ASM 550X1100 (SEE PAGE 1-145)
	2208999	1	REPLACEMENT	1	CRM RF COIL & CASE – ORDER FOR RF COIL REPLACEMENT
8	46-170448P1	2	TAPE	1	GREY, 3/4" POLYVINYL ELECTRICAL TAPE
10	2195966	2	PART	4	DISK,ISOLATOR,RUBBER,RF
20	2189821	2	SCREW	4	SCREW SET SCREW 10 MM 22 MM
30	2191058	2	ASSEMBLY	2	BORE LIGHT ASSEMBLY FOR CRM
31	46-282702P1	2	CLIP CENTER	1	BORE LIGHT TUBE CLAMP, MOLDED LEXAN
32	46-214704P5	2	SCREW CH NYL	4	CHEESE HEAD SCREW, NYLON, M4 X 8MM
40	2139560	N	BULKHEAD ASM	1	BULKHEAD ASSEMBLY (SEE PAGE 1-155)
46	2136115	2	STICKER,ADHS	4	HOLE COVER STICKERS UFI
49	46-136246P21	2	TAPE	18	2" WIDE X 25 YD WHITE VELCRO HOOKS
51	2180582	2	CLAMP	1	CLIP, LIGHT AND CABLE
52	46-328354P1	2	CABLE ASM	1	(749) MG2-A33-J10 TO MG2-A36, 35'
53	46-170120P1	2	TAPE	AR	1/2" WIDTH, .0025 THICK, CLEAR COLOR
54	2184805	2	TAPE	0.333	VINYL LANE MARKING SAFETY STRIPE
55	2202899	2	MOUNT	8	RF TUBE RUBBER MOUNT

CRM 55cm RF COIL ASM

2186651

FOR REPLACEMENT OF RF COIL, ORDER 2208999.

This assembly includes the RF Coil, FRU case, and shipping skid.



CRM 55cm RF COIL ASM

2186651 FRU N

(PART 3 OF 2195499 PAGE 1-144)

Item	Part Number	FRU	Name	Quantity	Description (Remarks)
14	2186219	2	PART	1	JACKET,INSULATION,RF TUBE
16	2112601	2	COVER	2	BIAS RESISTOR BOARD COVER
17	2113284	1	CIRCUIT BD	2	1.0/1.5T BIAS RESISTOR CIRCUIT BOARD
20	2112594	2	COVER	8	DYNAMIC DISABLE BOARD COVER
29	2113280	1	CIRCUIT BOAR	8	1.5T DYNAMIC DISABLE
31	46-136246P15	2	TAPE	AR	3/4" WIDE, WHT ADH BACK, VELCRO LOOP
33	2121182	2	O RING	AR	1/4 OD, 5/32 ID AMBER LATEX TUBING
40	2137219-2	2	M6 NYLON SCR	2	M6 X 5 PAN HEAD SLOTTED NYLON METRIC
41	2137220	2	M6 NYLON SCR	20	M6 X 16 FLAT HEAD SLOTTED NYLON
51	46-220312P1	2	ADHESIVE	AR	LOCTITE SUPERBONDER 416,
52	46-208781P2	2	LABEL	2	WRITE-ON LABEL FOR MARKING CABLES
54	2143771-2	2	TEFLON TAPE	12	2" TEFLON TAPE
62	46-170684P2	2	ADHESIVE	AR	LOCTITE 271, 10CC BOTTLE
64	46-230653P5	2	TUBING	1.500	SPIRALLY CUT POLYETHYLENE, 3/4" DIA.
65	2137220-2	2	M6 NYLON SCR	6	M6 X 10 FLAT HEAD SLOTTED NYLON

CATALOG M1885BD FRU N 1.0T 60cm EPOXY FILLED BODY COIL

Item	Part Number	FRU	Name	Quantity	Description (Remarks)
1	2124500-4	N	RF/GRAD COIL	1	1.0T UFI RF GRADIENT BODY COIL (SEE PAGE 1-148)
2	2137235	N	RF CABLE KIT	1	1.0T RF/GRAD COIL RF INPUT CABLE KIT (SEE PAGE 1-146)

CATALOG M1885BF FRU N 1.0T 60cm BRM-D BODY COIL

Item	Part Number	FRU	Name	Quantity	Description (Remarks)
1A	2343171	N	COLLECTOR	1	1.0T LONG RF/GRAD BRM-D BODY COIL (SEE PAGE 1-146)
1B	2124500-6	N	1.5T RF/GRAD	1	1.0T UFI RF GRADIENT BRM-D BODY COIL (SEE PAGE 1-149)
2	2137235	N	RF CABLE KIT	1	1.0T RF/GRAD COIL RF INPUT CABLE KIT (SEE PAGE 1-146)
9	2138791	N	ANTIFREEZE	6	BODY COIL COOLANT,1 GALLON CONTAINER

1.0T BRM-D BODY COIL- LONG 2343171 FRU N (PART 1A OF M1885BF PAGE 1-146)

Item	Part Number	FRU	Name	Quantity	Description (Remarks)
1	2124500-8	N	1.5T RF/GRAD	1	GEMSPRO 1.0T RF/GRAD COIL - LONG ASM (SEE PAGE 1-149)

CATALOG M1885BG FRU N 1.0T 60cm BRM-F BODY COIL

Item	Part Number	FRU	Name	Quantity	Description (Remarks)
1A	2329823	N	COLLECTOR	1	1.0T SHORT RF/GRAD COIL RFM-F (SEE PAGE 1-146)
1B	2220092-2	N	PART	ALT	RF GRADIENT COIL ASM 600 BRM-F_1.0T (SEE PAGE 1-151)
2	2137235	N	RF CABLE KIT	1	1.0T RF/GRAD COIL RF INPUT CABLE KIT (SEE PAGE 1-146)
3	46-170448P1	2	TAPE	1	GREY, 3/4" POLYVINYL ELECTRICAL TAPE
4	2138791	2	ANTIFREEZE	11	BODY COIL COOLANT,1 GALLON CONTAINER

1.0T BRM-F BODY COIL- SHORT 2329823 FRU N (PART 1A OF M1885BG)

Item	Part Number	FRU	Name	Quantity	Description (Remarks)
1	2220092-4	N	PART	1	GEMSPRO 1.0T SHORT RF/GRADIENT ASM (SEE PAGE 1-151)

1.0T RF/GRADIENT COIL CABLES 2137235 FRU N (PART 2 OF M1885BD PAGE 1-146)
(PART 2 OF M1885BF PAGE 1-146)
(PART 2 OF M1885BG PAGE 1-146)

Item	Part Number	FRU	Name	Quantity	Description (Remarks)
1	2105691-2	2	1.0T CABLE	1	(743) MG2-A12-A1-J2 TO MG3-A3-J3
2	2105691-3	2	1.0T CABLE	1	(744) MG2-A12-A1-J1 TO MG3-A3-J4

1.0T 60cm RF/GRADIENT BODY COIL

2124500-4 & 2124500-6

NOTE 1: FOR REPLACEMENT OF S-SERIES GRADIENT COIL ONLY ORDER T3014HB

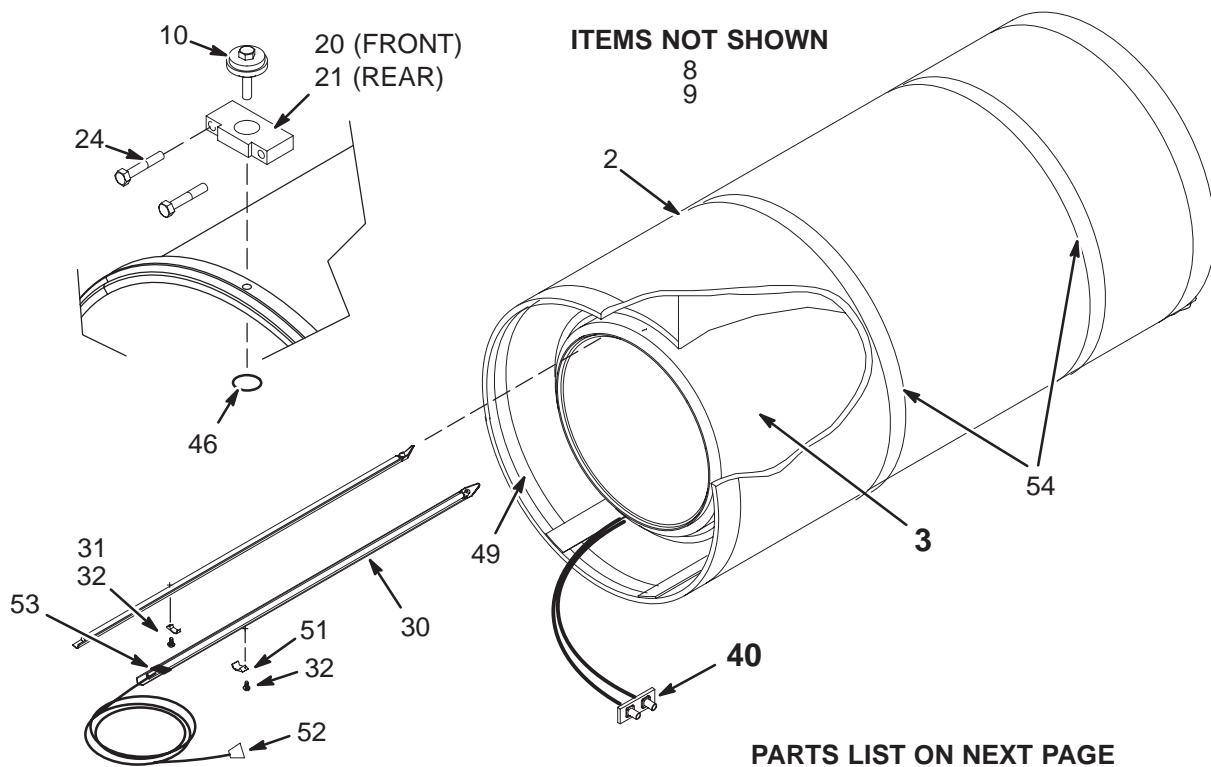
This assembly includes the cart and One-piece Shield with short (about 2 ft long) gradient cables (2124499-3). It does not include the RF Coil Asm (46-328500G1).

NOTE 2: FOR REPLACEMENT OF Cx GRADIENT COIL ONLY ORDER 2144093-3

This assembly includes the Coil Cart, Aluminum Cradle, and Cx One-piece Shield with short (about 2 ft long) gradient cables (2124499-4). It does not include the RF Coil Asm (46-328500G2).

NOTE 3: FOR REPLACEMENT OF LCC GRADIENT COIL ONLY ORDER 2144093-5

This assembly includes the Coil Cart, Aluminum Cradle, and LCC One-piece Shield with long (about 10 ft long) gradient cables (2124499-7). It does not include the RF Coil Asm (46-328500G4). Make sure the Gradient Coil Splice Kit (2241521) is part of replacement order.



1.0T 60cm BRM-D BODY COIL 2124500-4 FRU N (PART OF M1885BD PAGE 1-146)

Item	Part Number	FRU	Name	Quantity	Description (Remarks)
2	2124499-4	N	GRAD COIL	1	Cx ONE PIECE SHIELD (SEE NOTE 1 BELOW)
3	46-328500G2	1	1.0T RF COIL	1	1.0T 600MM RF BODY COIL ASSEMBLY. (SEE PAGE 1-150)
	2208999-5	1	REPLACEMENT ASM	1	RF COIL & CASE - ORDER FOR RF COIL REPLACEMENT
8	46-170448P1	2	TAPE	1	GREY, 3/4" POLYVINYL ELECTRICAL TAPE
9	2138791	2	ANTIFREEZE	6	BODY COIL COOLANT,1 GALLON CONTAINER
10	2121201	2	RF SHOCK MTG	8	RF SHOCK MOUNTING ASM
20	2112590	2	MOUNT BLOCK	4	BODY COIL ISOLATION MOUNTING BRACKET
21	2112590-2	2	MTG BRACKET	4	BODY COIL ISOLATION MOUNTING BRACKET
24	2109866-25	2	SCREW	16	SCREW HEXAGON HEAD 10 MM 60 MM
30	46-282830G1	2	BORE LT ASM	2	BORE LIGHT TUBE ASSEMBLY
31	46-282702P1	2	CLIP CENTER	1	BORE LIGHT TUBE CLAMP, MOLDED LEXAN
32	46-214704P5	2	SCREW CH NYL	4	CHEESE HEAD SCREW, NYLON, M4 X 8MM
40	2139560	N	BULKHEAD ASM	1	BULKHEAD ASSEMBLY (SEE PAGE 1-155)
46	2136115	2	STICKER,ADHS	8	HOLE COVER STICKERS UFI
49	46-136246P21	2	TAPE	20	2" WIDE X 25 YD WHITE VELCRO HOOKS
51	2180582	2	CLAMP	1	CLIP, LIGHT AND CABLE
52	46-328354P1	N	CABLE ASM	1	(749) MG2-A33-J10 TO MG2-A36, 35'
53	46-170120P1	2	TAPE	AR	1/2" WIDTH, .0025 THICK, CLEAR COLOR
54	2184805	2	TAPE	0.333	VINYL LANE MARKING SAFETY STRIPE

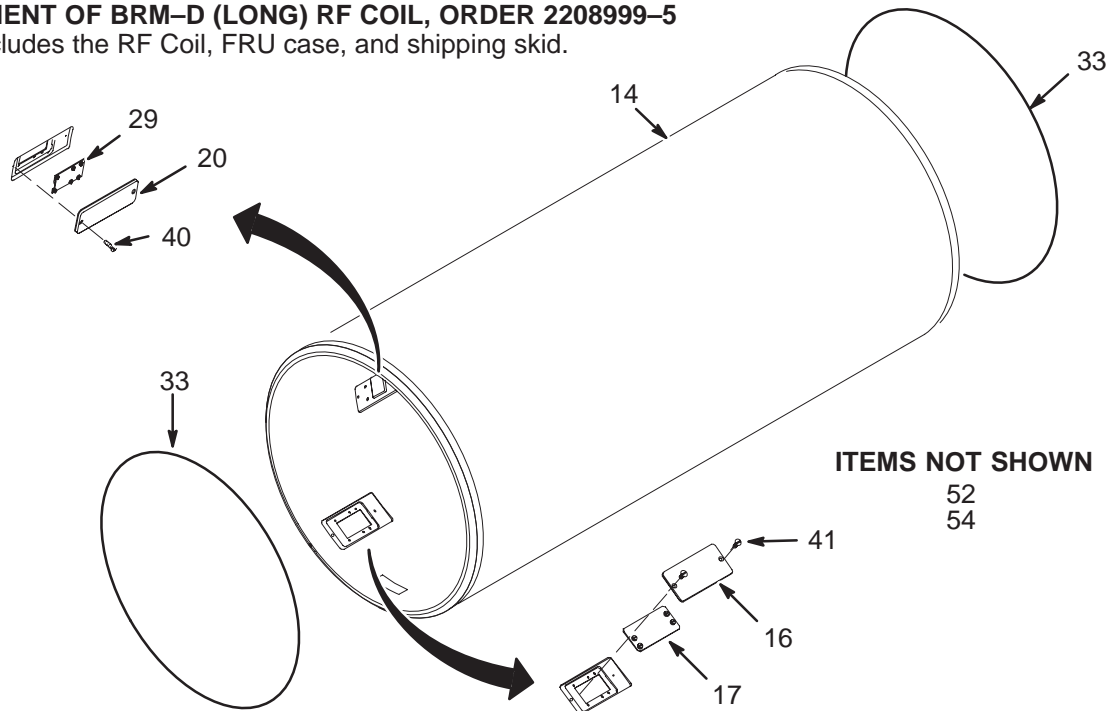
Note 1: For replacement of Gradient Coil order 2144093-3. This assembly includes the Coil Cart, Aluminum Cradle, and One-piece Shield (2124499-7). It does not include the RF Coil Asm (46-328500G2).

1.0T 60cm RF COIL ASM

46-328500G2 & 46-328500G4

FOR REPLACEMENT OF BRM-D (LONG) RF COIL, ORDER 2208999-5

This assembly includes the RF Coil, FRU case, and shipping skid.



1.0T 60cm RF COIL ASM

46-328500G2 FRU 1

(PART 3 OF 2124500-4 PAGE 1-148)
(PART 3B OF 2124500-6 PAGE 1-149)

Item	Part Number	FRU	Name	Quantity	Description (Remarks)
14	2121204	2	INSULATION	1	RF BODY COIL INSULATION JACKET
16	2112601	2	COVER	2	BIAS RESISTOR BOARD COVER
17	2113284	1	CIRCUIT BD	2	1.0/1.5T BIAS RESISTOR CIRCUIT BOARD
20A	2112594-2	N	COVER	8	DYNAMIC DISABLE BOARD COVER, MOLDED
20B	2112594	N	COVER	ALT	DYNAMIC DISABLE BOARD COVER, MACHINED
29	2124166	1	CIRCUIT BD	8	1.0T DYNAMIC DISABLE BOARD
33	2121182	2	O RING	AR	AMBER LATEX TUBING
40	2137219-2	2	M6 NYLON SCR	2	M6 X 5 PAN HEAD SLOTTED NYLON METRIC
41	2137220	2	M6 NYLON SCR	20	M6 X 16 FLAT HEAD SLOTTED NYLON
52	46-208781P2	2	MARKER	2	WRITE-ON LABEL FOR MARKING CABLES

1.0T 60cm RF COIL ASM

46-328500G4 FRU 1

(PART 3A OF 2124500-6 PAGE 1-149)

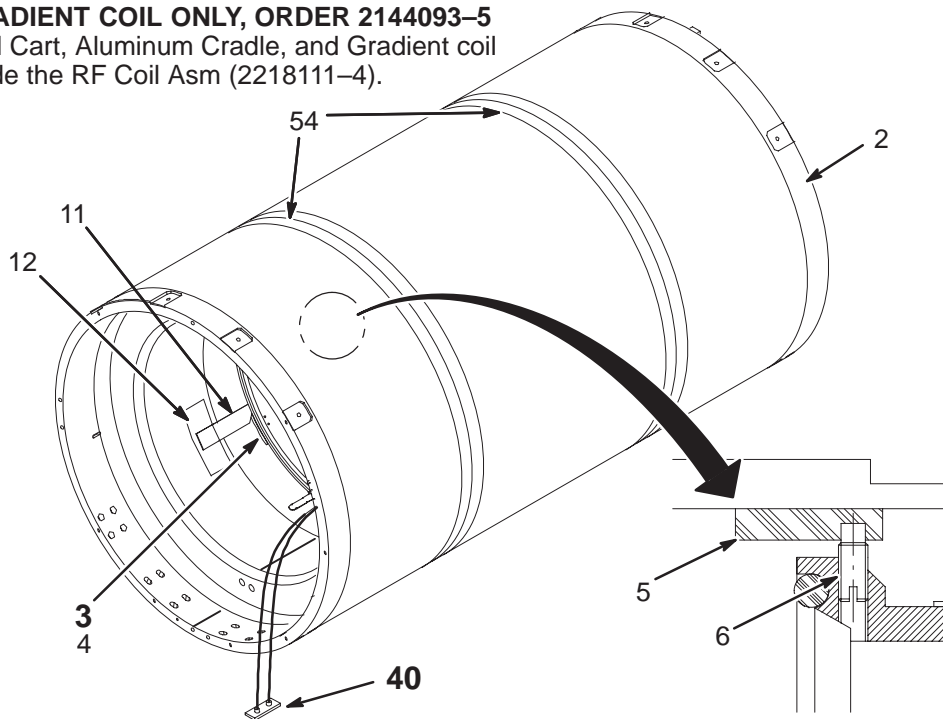
Item	Part Number	FRU	Name	Quantity	Description (Remarks)
14	2121204	N	INSULATION	1	RF BODY COIL INSULATION JACKET
16	2112601	N	COVER	2	BIAS RESISTOR BOARD COVER
17	2113284	1	CIRCUIT BD	2	1.0/1.5T BIAS RESISTOR CIRCUIT BOARD
20	2112594	N	COVER	8	DYNAMIC DISABLE BOARD COVER, MACHINED
29	2124166	1	CIRCUIT BD	8	1.0T DYNAMIC DISABLE BOARD
33	2121182	N	O RING	AR	1/4 OD, 5/32 ID AMBER LATEX SURGICAL
40	2137219-2	N	M6 NYLON SCR	2	M6 X 1.0 X 5 MM LG SLOTTED PAN HD
41	2137220	N	M6 NYLON SCR	20	M6 X 1.0 X 16 MM LG SLOTTED FLAT HD
52	46-208781P2	N	LABEL	2	WRITE-ON LABEL FOR MARKING CABLES
54	2143771-2	N	TEFLON TAPE	12	2" TEFLON TAPE

1.0T 60cm BRM-F BODY COIL

2220092-2 & 2220092-4

FOR REPLACEMENT OF GRADIENT COIL ONLY, ORDER 2144093-5

This assembly includes the Coil Cart, Aluminum Cradle, and Gradient coil (2124499-5). It does not include the RF Coil Asm (2218111-4).



1.0T 60cm BRM-F BODY COIL

2220092-2 FRU N

(PART 1B OF M1885BG PAGE 1-146)

Item	Part Number	FRU	Name	Quantity	Description (Remarks)
2	2124499-5	N	GRAD COIL	1	LCC ONE PIECE SHIELD (SEE NOTE BELOW)
3A	2218111-4	1	PART	1	1.0T SHORT RF COIL ASM (SEE PAGE 1-152)
	2208999-2	1	REPLACEMENT ASM	1	RF COIL & CASE - ORDER FOR RF COIL REPLACEMENT
3B	2218111-2	1	PART	1	1.0T SHORT RF COIL ASM (SEE PAGE 1-152)
4	2221294	2	PART	4	PAD
5	2221633	2	PART	4	PAD,MOUNTING,UPPER
6	2221634	2	PART	4	SET SCREW
7	46-220312P1	2	ADHESIVE	AR	LOCTITE SUPERBONDER 416,
11	2221632	2	PART	2	CONSTRAINT,AXIAL,RF TUBE
12	2143771-2	N	TEFLON TAPE	AR	2" TEFLON TAPE
40	2139560	N	BULKHEAD ASM	1	BULKHEAD ASSEMBLY (SEE PAGE 1-155)
49	46-136246P21	2	TAPE	20	2" WIDE X 25 YD WHITE VELCRO HOOKS
54	2184805	2	TAPE	0.333	VINYL LANE MARKING SAFETY STRIPE

1.0T 60cm BRM-F BODY COIL

2220092-4 FRU N

(PART OF 2329823 1-146)

Item	Part Number	FRU	Name	Quantity	Description (Remarks)
2	2124499-6	N	GRAD COIL	1	GEMSPRO GRADIENT COIL W/SHIELD (SEE NOTE BELOW)
3	2218111-4	1	PART	1	GEMSPRO 1.0T SHORT RF COIL ASSEMBLY (SEE PAGE 1-152)
	2208999-2	1	REPLACEMENT ASM	1	RF COIL & CASE - ORDER FOR RF COIL REPLACEMENT
4	2221294	N	PART	4	PAD
5	2221633	N	PART	4	PAD,MOUNTING,UPPER
6	2221634	N	PART	4	SET SCREW
7	46-220312P1	N	ADHESIVE OLD	AR	LOCTITE SUPERBONDER 416,
40	2139560	N	BULKHEAD ASM	1	BULKHEAD ASSEMBLY (SEE PAGE 1-155)
54	2184805	N	TAPE	0.333	VINYL LANE MARKING SAFETY STRIPE

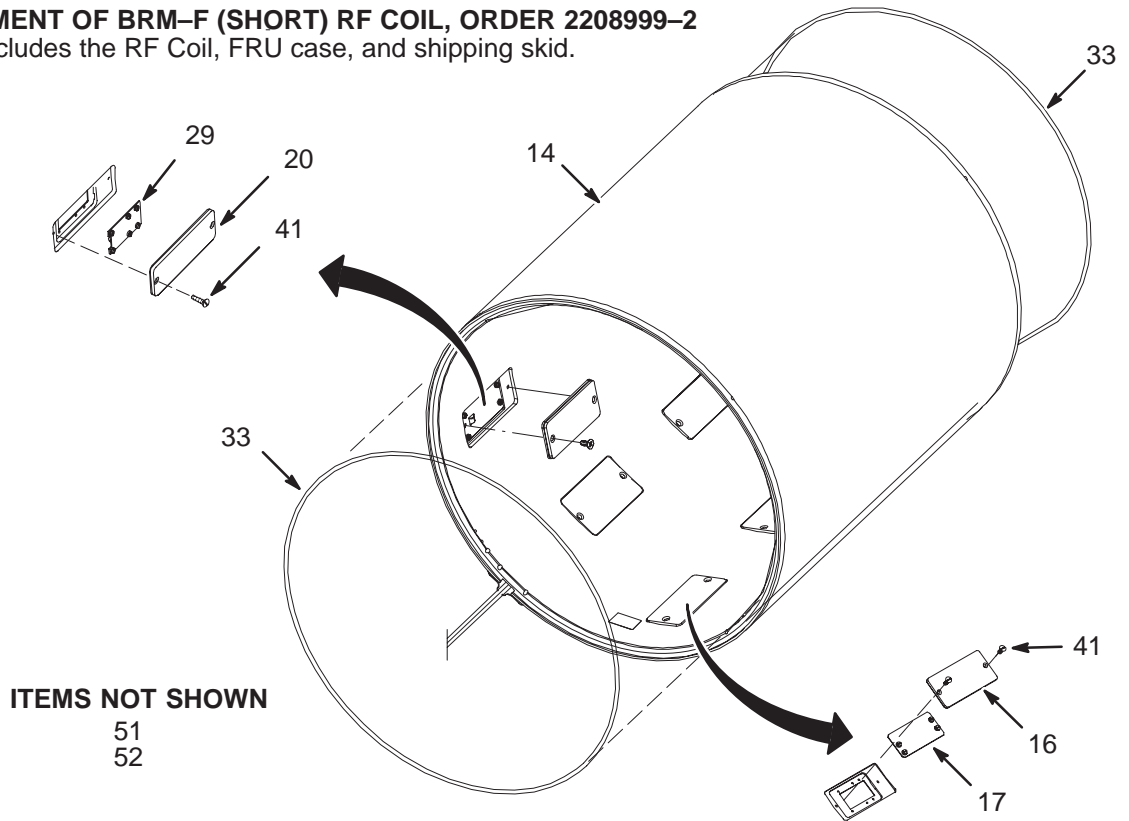
Note: For replacement of Gradient Coil order 2144093-5. This assembly includes the Coil Cart, Aluminum Cradle, and LCC One-piece Shield (2124499-5). It does not include the RF Coil Asm (2218111-4).

1.0T 60cm BRM-F RF COIL ASM

2218111-2

FOR REPLACEMENT OF BRM-F (SHORT) RF COIL, ORDER 2208999-2

This assembly includes the RF Coil, FRU case, and shipping skid.



1.5T 60cm BRM-F RF COIL ASM

2218111-2 FRU 1

(PART 3B OF 2220092-2 PAGE 1-151)

Item	Part Number	FRU	Name	Quantity	Description (Remarks)
14	2220084	2	PART	1	JACKET,INSULATION,RF TUBE
16	2218101	2	PART	2	COVER,COLLECTOR,SHORT
17	2113284	1	CIRCUIT BD	2	1.0/1.5T BIAS RESISTOR CIRCUIT BOARD
20	2112594	2	COVER	8	DYNAMIC DISABLE BOARD COVER
29	2113280	1	CIRCUIT BD	8	1.5T DYNAMIC DISABLE
33	2121182	2	O RING	AR	1/4 OD, 5/32 ID AMBER LATEX TUBING
41	2137220	2	M6 NYLON SCR	20	M6 X 16 FLAT HEAD SLOTTED NYLON
51	46-220312P1	2	ADHESIVE	AR	LOCTITE SUPERBONDER 416,
52	46-208781P2	2	LABEL	2	WRITE-ON LABEL FOR MARKING CABLES

1.5T 60cm BRM-F RF COIL ASM

2218111-4 FRU 1

(PART 3A OF 2220092-2 PAGE 1-151)

(PART 3 OF 2220092-4 PAGE 1-151)

Item	Part Number	FRU	Name	Quantity	Description (Remarks)
14	2220084-2	N	PART	1	JACKET,INSULATION,RF TUBE
16	2218101-2	N	PART	2	COVER,COLLECTOR,SHORT, MOLDED
17	2113284	1	CIRCUIT BD	2	1.0/1.5T BIAS RESISTOR CIRCUIT BOARD
20A	2112594-2	N	COVER	8	DYNAMIC DISABLE BOARD COVER, MOLDED
33	2121182	N	O RING	AR	1/4 OD, 5/32 ID AMBER LATEX SURGICAL
41	2137220	N	M6 NYLON SCR	20	M6 X 1.0 X 16 MM LG SLOTTED FLAT HD
51	46-220312P1	N	ADHESIVE	AR	LOCTITE SUPERBONDER 416,
52	46-208781P2	N	LABEL	2	WRITE-ON LABEL FOR MARKING CABLES

CATALOG

M3085TA FRU N

1.5T TRM BODY COIL

Item	Part Number	FRU	Name	Quantity	Description (Remarks)
1	2228300	N	ASSEMBLY	1	TRM GRADIENT COIL ASSEMBLY (SEE PAGE 1-153)
2	2137234	2	RF CABLE KIT	1	1.5T RF/GRAD COIL RF INPUT CABLE KIT (SEE PAGE 1-133)

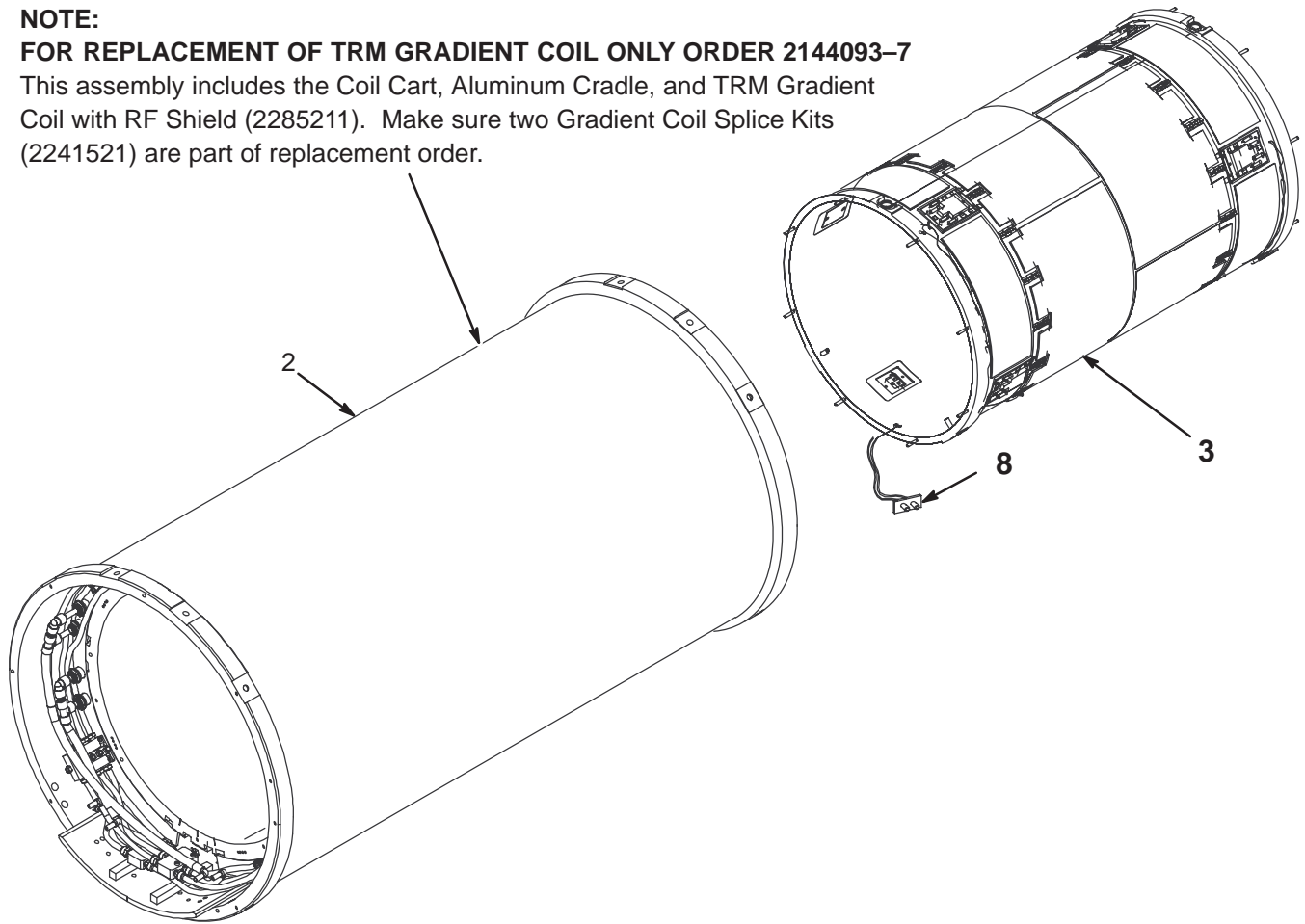
TRM BODY COIL ASSEMBLY

2228300

NOTE:

FOR REPLACEMENT OF TRM GRADIENT COIL ONLY ORDER 2144093-7

This assembly includes the Coil Cart, Aluminum Cradle, and TRM Gradient Coil with RF Shield (2285211). Make sure two Gradient Coil Splice Kits (2241521) are part of replacement order.



TRM BODY COIL ASSEMBLY

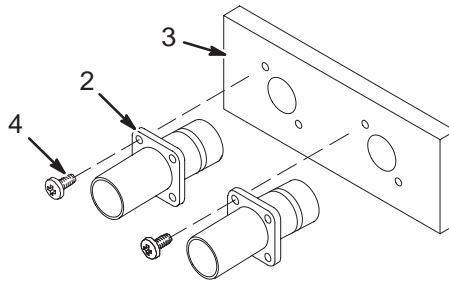
2228300 FRU N

(PART OF 1 OF M3085TA PAGE 1-153)

Item	Part Number	FRU	Name	Quantity	Description (Remarks)
2	2285211	N	GRAD COIL	1	TWIN GRADIENT COIL WITH RF SHIELD
	2144093-7	1	FRU ASM,	1	COIL AND CART ASSEMBLY- ORDER FOR TRM GRAD COIL REPLACEMENT
3	2280108-2	N	BODY COIL	1	TWIN RF BODY COIL ASSEMBLY (SEE PAGE 1-154)
	2208999-8	1	FRU ASM	1	RF COIL & CASE - ORDER FOR RF COIL REPLACEMENT
5	2297588	N	TOOL ALIGN	1	RF COIL ALIGNMENT TOOL
8	2139560	N	BULKHEAD ASM	1	BULKHEAD ASSEMBLY
10	2143771-2	N	TEFLON TAPE	AR	2" TEFLON TAPE
	2262660-4	2	HOSE BARB		0.5" TUBE TO BARB, ACETAL GRAY

BULKHEAD ASM

2139560



BULKHEAD ASM

2139560 FRU N

(PART OF 2179396 PAGE 1-26)
 (PART OF 2191300 PAGE 1-26)
 (PART OF 2214166 PAGE 1-35)
 (PART OF 2124500-3 PAGE 1-135)
 (PART OF 2124500-5 PAGE 1-135)
 (PART OF 2220092 PAGE 1-139)
 (PART OF 2195499 PAGE 1-144)
 (PART OF 2124500-4 PAGE 1-148)
 (PART OF 2124500-6 PAGE 1-149)

Item	Part Number	FRU	Name	Quantity	Description (Remarks)
2	2112592	2	MHV ST ADAPT	2	JACK TO JACK STRAIGHT ADAPTER
3	2138711	2	FRT BULKHEAD	1	FRT BULKHEADRF COIL
4	2109873-6	2	PAN HD SCREW	4	METRIC SST CROSS RECESSED PAN HD SCR

1-19 SYSTEM COMPUTER AND CABINET COLLECTORS

1.5T ACGD BASE with MULTICOIL 46-271000G14 FRU N (PART OF M3000AB PAGE 1-49)
 (PART OF M3000AC PAGE 1-49)

Item	Part Number	FRU	Name	Quantity	Description (Remarks)
3	2146243	N	UFI LABEL KT	1	MULTI-LINGUAL LABEL KIT (SEE PAGE 1-167)
4	2138300-20	N	PERF SYS CAB	1	1.5T SR20/77 CABINET W/PA (SEE SECTION 8)
5	2355993	N	COLLECTOR	1	1.5T RF CAB ALTERNATES (SEE SECTION 16)
6	2355992	N	COLLECTOR	1	ACGD ALTERNATES (SEE SECTION 15)
10	2207030-16	N	COLLECTOR	1	ACGD 1.5T WITH PHASED ARRAY (SEE SECTION 13)

1.5T ACGD EchoSpeed w/MULTICOIL46-271000G15 FRU N (PART OF M3000AD PAGE 1-49)

Item	Part Number	FRU	Name	Quantity	Description (Remarks)
3	2146243	N	UFI LABEL KT	1	MULTI-LINGUAL LABEL KIT (SEE PAGE 1-167)
4	2138300-19	N	PERF SYS CAB	1	1.5T SYSTEM CABINET (SEE SECTION 8)
5	2355993	N	COLLECTOR	1	1.5T RF CAB ALTERNATES (SEE SECTION 16)
6	2355992	N	COLLECTOR	1	ACGD ALTERNATES (SEE SECTION 15)
10	2207030-16	N	COLLECTOR	1	ACGD 1.5T WITH PHASED ARRAY (SEE SECTION 13)

1.0T ACGD HiSpeed w/o MULTICOIL46-271000G16 FRU N (PART OF M3800AA PAGE 1-56)

Item	Part Number	FRU	Name	Quantity	Description (Remarks)
4	2138300-22	N	PERF SYS CAB	1	1.0T SYTEM CABINET W/O PA (SEE SECTION 8)
5	2355994	N	COLLECTOR	1	1.0T RF CAB ALTERNATES (SEE SECTION 16)
6	2355992	N	COLLECTOR	1	ACGD ALTERNATES (SEE SECTION 15)
10	2207030-16	N	COLLECTOR	1	ACGD 1.5T WITH PHASED ARRAY (SEE SECTION 13)

1.0T ACGD HiSpeed w/MULTICOIL 46-271000G17 FRU N (PART OF M3800AB PAGE 1-56)
 (PART OF M3800AD PAGE 1-56)

Item	Part Number	FRU	Name	Quantity	Description (Remarks)
4	2138300-23	N	PERF SYS CAB	1	1.0T SYSTEM CABINET W/PA (SEE SECTION 8)
5	2355994	N	COLLECTOR	1	1.0T RF CAB ALTERNATES (SEE SECTION 16)
6	2355992	N	COLLECTOR	1	ACGD ALTERNATES (SEE SECTION 15)
10	2207030-16	N	COLLECTOR	1	ACGD 1.5T WITH PHASED ARRAY (SEE SECTION 13)

CARDIAC 1.5T ACGD E-Speed w/MC46-271000G19 FRU N (PART OF M3000AE PAGE 1-50)

Item	Part Number	FRU	Name	Quantity	Description (Remarks)
3	2146243	2	UFI LABEL KT	1	MULTI-LINGUAL LABEL KIT (SEE PAGE 1-167)
4	2138300-19	N	PERF SYS CAB	1	1.5T SYSTEM CABINET (SEE SECTION 8)
5	2355993	N	COLLECTOR	1	1.5T RF CAB ALTERNATES (SEE SECTION 16)
6	2355992	N	COLLECTOR	1	ACGD ALTERNATES (SEE SECTION 15)
10	2207030-11	N	COLLECTOR	1	CV3/NV2 FIESTA OCTANE OW W/SOFTWARE (SEE SECTION 13)

5.x 1.5T EchoSpeed w/MC 46-271000G30 FRU N (PART OF M1000MF PAGE 1-4)

Item	Part Number	FRU	Name	Quantity	Description (Remarks)
3	2146243	2	UFI LABEL KT	1	MULTI-LINGUAL LABEL KIT (SEE PAGE 1-167)
4	2117956	N	SYS W/MC&FR	1	1.5T SYSTEM CABINET W/MC & FST RCVR (SEE SECTION 8)
5A	2224560	N	RF CABINET	1	RF/PDU CABINET (SEE SECTION 14)
5B	2160200	N	RF/PEN CAB	ALT	1.5T RF/PEN STREAMLINE CAB W/AMP (SEE SECTION 10)
5C	2109930	N	RF/PEN CAB	ALT	1.5T RF/PEN CAB WITH MULTICOIL (SEE SECTION 10)
6	2108800-2	N	GRAD SUBSYS	1	GRADIENT SUBSYST - DOUBLE AMP/AXIS (SEE SECTION 9)
7	2108050	N	GRAM CABINET	1	UFI GRAM CABINET ASSEMBLY, MR7 (SEE SECTION 12)

8.x 1.5T BASE w/o MC 46-271000G33 FRU N (PART OF M1000NA PAGE 1-10)

Item	Part Number	FRU	Name	Quantity	Description (Remarks)
3	2146243	2	UFI LABEL KT	1	MULTI-LINGUAL LABEL KIT (SEE PAGE 1-167)
4	2138300-4	N	1.5T SYS CAB	1	1.5T SYSTEM CABINET (SEE SECTION 8)
5A	2224560	N	RF CABINET	1	RF/PDU CABINET (SEE SECTION 14)
5B	2160200	N	RF/PEN CAB	ALT	1.5T RF/PEN STREAMLINE CAB W/AMP (SEE SECTION 10)
5C	2109930	N	RF/PEN CAB	ALT	1.5T RF/PEN CAB WITH MULTICOIL (SEE SECTION 10)
6	2108800-2	N	GRAD SUBSYS	1	GRADIENT SUBSYST - DOUBLE AMP/AXIS (SEE SECTION 9)
10	2163093-3	N	COLLECTOR	1	LX INDIGO OW COMP.WLX2S/W (SEE SECTION 13)

8.x 1.5T BASE with MC 46-271000G35 FRU N (PART OF M1000ND PAGE 1-10)

Item	Part Number	FRU	Name	Quantity	Description (Remarks)
3	2146243	2	UFI LABEL KT	1	MULTI-LINGUAL LABEL KIT (SEE PAGE 1-167)
4	2138300-3	N	SYS CAB W/MC	1	1.5T SYSTEM CABINET WITH MULTICOIL (SEE SECTION 8)
5A	2224560	N	RF CABINET	1	RF/PDU CABINET (SEE SECTION 14)
5B	2160200	N	RF/PEN CAB	ALT	1.5T RF/PEN STREAMLINE CAB W/AMP (SEE SECTION 10)
5C	2109930	N	RF/PEN CAB	ALT	1.5T RF/PEN CAB WITH MULTICOIL (SEE SECTION 10)
6	2108800-2	N	GRAD SUBSYS	1	GRADIENT SUBSYST - DOUBLE AMP/AXIS (SEE SECTION 9)
10	2163093-3	N	COLLECTOR	1	LX INDIGO OW COMP.WLX2S/W (SEE SECTION 13)

8.x 1.5T HiSpeed with MC 46-271000G36 FRU N (PART OF M1000NF PAGE 1-10)

Item	Part Number	FRU	Name	Quantity	Description (Remarks)
3	2146243	2	UFI LABEL KT	1	MULTI-LINGUAL LABEL KIT (SEE PAGE 1-167)
4	2138300-3	N	SYS CAB W/MC	1	1.5T SYSTEM CABINET WITH MULTICOIL (SEE SECTION 8)
5A	2224560	N	RF CABINET	1	RF/PDU CABINET (SEE SECTION 14)
5B	2160200	N	RF/PEN CAB	ALT	1.5T RF/PEN STREAMLINE CAB W/AMP (SEE SECTION 10)
5C	2109930	N	RF/PEN CAB	ALT	1.5T RF/PEN CAB WITH MULTICOIL (SEE SECTION 10)
6	2108800	N	GRAD SUBSYS	1	GRADIENT SUBSYSTEM - SINGLE AMP/AXIS (SEE SECTION 9)
7	2108050	N	GRAM CABINET	1	UFI GRAM CABINET ASSEMBLY, MR7 (SEE SECTION 12)
10	2163093-3	N	COLLECTOR	1	LX INDIGO OW COMP.WLX2S/W (SEE SECTION 13)

8.x 1.5T EchoSpeed with MC 46-271000G37 FRU N (PART OF M1000NG PAGE 1-11)

Item	Part Number	FRU	Name	Quantity	Description (Remarks)
3	2146243	2	UFI LABEL KT	1	MULTI-LINGUAL LABEL KIT (SEE PAGE 1-167)
4	2138300-2	N	SYSCA W/FRMC	1	1.5T SYSTEM CABINET (SEE SECTION 8)
5A	2224560	N	RF CABINET	1	RF/PDU CABINET (SEE SECTION 14)
5B	2160200	N	RF/PEN CAB	ALT	1.5T RF/PEN STREAMLINE CAB W/AMP (SEE SECTION 10)
5C	2109930	N	RF/PEN CAB	ALT	1.5T RF/PEN CAB WITH MULTICOIL (SEE SECTION 10)
6	2108800-2	N	GRAD SUBSYS	1	GRADIENT SUBSYST - DOUBLE AMP/AXIS (SEE SECTION 9)
7	2108050	N	GRAM CABINET	1	UFI GRAM CABINET ASSEMBLY, MR7 (SEE SECTION 12)
10	2163093-3	N	COLLECTOR	1	LX INDIGO OW COMP.WLX2S/W (SEE SECTION 13)

8.x SGD 1.5T BASE w/o MC 46-271000G50 FRU N (PART OF M1000RA PAGE 1-17)

Item	Part Number	FRU	Name	Quantity	Description (Remarks)
3	2146243	2	UFI LABEL KT	1	MULTI-LINGUAL LABEL KIT (SEE PAGE 1-167)
4	2138300-4	N	1.5T SYS CAB	1	1.5T SYSTEM CABINET (SEE SECTION 8)
5A	2224560	N	RF CABINET	1	RF/PDU CABINET (SEE SECTION 14)
5B	2160200	N	RF/PEN CAB	ALT	1.5T RF/PEN STREAMLINE CAB W/AMP (SEE SECTION 10)
5C	2109930	N	RF/PEN CAB	ALT	1.5T RF/PEN CAB WITH MULTICOIL (SEE SECTION 10)
6	2172035	N	ASSEMBLY	1	SGD BASE CABINET - P9358GE (SEE SECTION 9)
10	2163093-3	N	COLLECTOR	1	LX INDIGO OW COMP.WLX2S/W (SEE SECTION 13)

8.x SGD 1.5T BASE with MC 46-271000G51 FRU N (PART OF M1000RD PAGE 1-17)

Item	Part Number	FRU	Name	Quantity	Description (Remarks)
3	2146243	2	UFI LABEL KT	1	MULTI-LINGUAL LABEL KIT (SEE PAGE 1-167)
4	2138300-3	N	SYS CAB W/MC	1	1.5T SYSTEM CABINET WITH MULTICOIL (SEE SECTION 8)
5A	2224560	N	RF CABINET	1	RF/PDU CABINET (SEE SECTION 14)
5B	2160200	N	RF/PEN CAB	ALT	1.5T RF/PEN STREAMLINE CAB W/AMP (SEE SECTION 10)
5C	2109930	N	RF/PEN CAB	ALT	1.5T RF/PEN CAB WITH MULTICOIL (SEE SECTION 10)
6	2172035	N	ASSEMBLY	1	SGD BASE CABINET - P9358GE (SEE SECTION 9)
10	2163093-3	N	COLLECTOR	1	LX INDIGO OW COMP.WLX2S/W (SEE SECTION 13)

8.x SGD 1.5T HiSpeed w/MC 46-271000G52 FRU N (PART OF M1000RF PAGE 1-17)

Item	Part Number	FRU	Name	Quantity	Description (Remarks)
3	2146243	2	UFI LABEL KT	1	MULTI-LINGUAL LABEL KIT (SEE PAGE 1-167)
4	2138300-3	N	SYS CAB W/MC	1	1.5T SYSTEM CABINET WITH MULTICOIL (SEE SECTION 8)
5A	2224560	N	RF CABINET	1	RF/PDU CABINET (SEE SECTION 14)
5B	2160200	N	RF/PEN CAB	ALT	1.5T RF/PEN STREAMLINE CAB W/AMP (SEE SECTION 10)
5C	2109930	N	RF/PEN CAB	ALT	1.5T RF/PEN CAB WITH MULTICOIL (SEE SECTION 10)
6	2169944	N	CABINET ASM	1	SGD HI-SLEW CABINET (SEE SECTION 9)
10	2163093-3	N	COLLECTOR	1	LX INDIGO OW COMP.WLX2S/W (SEE SECTION 13)

8.x SGD 1.5T EchoSpeed w/MC 46-271000G53 FRU N (PART OF M1000RG PAGE 1-18)

Item	Part Number	FRU	Name	Quantity	Description (Remarks)
3	2146243	2	UFI LABEL KT	1	MULTI-LINGUAL LABEL KIT (SEE PAGE 1-167)
4	2138300-2	N	SYSCA W/FRMC	1	1.5T SYSTEM CABINET (SEE SECTION 8)
5A	2224560	N	RF CABINET	1	RF/PDU CABINET (SEE SECTION 14)
5B	2160200	N	RF/PEN CAB	ALT	1.5T RF/PEN STREAMLINE CAB W/AMP (SEE SECTION 10)
5C	2109930	N	RF/PEN CAB	ALT	1.5T RF/PEN CAB WITH MULTICOIL (SEE SECTION 10)
6	2169944	N	CABINET ASM	1	SGD HI-SLEW CABINET (SEE SECTION 9)
10	2163093-3	N	COLLECTOR	1	LX INDIGO OW COMP.WLX2S/W (SEE SECTION 13)

8.x SGD 1.0T BASE with MC 46-271000G80 FRU N (PART OF M1800RD PAGE 1-19)

Item	Part Number	FRU	Name	Quantity	Description (Remarks)
4	2138300-9	N	1.0T PERF&MC	1	1.0T SYSTEM CABINET (SEE SECTION 8)
5	2160200-3	N	RF/PEN CAB	1	1.5T RF/PEN STREAMLINE CAB W/AMP (SEE SECTION 10)
5A	2109930-2	N	RF/PEN CAB	ALT	1.5T RF/PEN CAB WITH MULTICOIL (SEE SECTION 10)
6	2172035	N	ASSEMBLY	1	SGD BASE CABINET - P9358GE (SEE SECTION 9)
10	2163093-3	N	COLLECTOR	1	LX INDIGO OW COMP.WLX2S/W (SEE SECTION 13)

8.x SGD 1.0T HiSpeed w/o MC 46-271000G81 FRU N (PART OF M1800RE PAGE 1-19)

Item	Part Number	FRU	Name	Quantity	Description (Remarks)
4	2138300-6	N	1.0T SYS CAB	1	1.0T SYSTEM CABINET (SEE SECTION 8)
5	2160200-3	N	RF/PEN CAB	1	1.5T RF/PEN STREAMLINE CAB W/AMP (SEE SECTION 10)
5A	2109930-2	N	RF/PEN CAB	ALT	1.5T RF/PEN CAB WITH MULTICOIL (SEE SECTION 10)
6	2169944	N	CABINET ASM	1	SGD HI-SLEW CABINET (SEE SECTION 9)
10	2163093-3	N	COLLECTOR	1	LX INDIGO OW COMP.WLX2S/W (SEE SECTION 13)

8.x SGD 1.0T HiSpeed with MC 46-271000G82 FRU N (PART OF M1800RF PAGE 1-20)

Item	Part Number	FRU	Name	Quantity	Description (Remarks)
4	2138300-9	N	1.0T PERF&MC	1	1.0T SYSTEM CABINET (SEE SECTION 8)
5	2160200-3	N	RF/PEN CAB	1	1.5T RF/PEN STREAMLINE CAB W/AMP (SEE SECTION 10)
5A	2109930-2	N	RF/PEN CAB	ALT	1.5T RF/PEN CAB WITH MULTICOIL (SEE SECTION 10)
6	2169944	N	CABINET ASM	1	SGD HI-SLEW CABINET (SEE SECTION 9)
10	2163093-3	N	COLLECTOR	1	LX INDIGO OW COMP.WLX2S/W (SEE SECTION 13)

**LX2 SGD/OCTN 1.5T BASE w/o MC 46-271000G105 FRU N (PART OF M1000WA PAGE 1-21)
(PART OF M1000YA PAGE 1-39)**

Item	Part Number	FRU	Name	Quantity	Description (Remarks)
3	2146243	2	UFI LABEL KT	1	MULTI-LINGUAL LABEL KIT (SEE PAGE 1-167)
4	2138300-4	N	1.5T SYS CAB	1	1.5T SYSTEM CABINET (SEE SECTION 8)
5A	2224560	N	RF CABINET	1	RF/PDU CABINET (SEE SECTION 14)
5B	2160200	N	RF/PEN CAB	ALT	1.5T RF/PEN STREAMLINE CAB W/AMP (SEE SECTION 10)
5C	2109930	N	RF/PEN CAB	ALT	1.5T RF/PEN CAB WITH MULTICOIL (SEE SECTION 10)
6	2172035	N	ASSEMBLY	1	SGD BASE CABINET - P9358GE (SEE SECTION 9)
10	2207030	N	COLLECTOR	1	LX2 OCTANE SY COMP/W-S/W (SEE SECTION 13)

**LX2 SGD/OCTN 1.5T BASE with MC 46-271000G106 FRU N (PART OF M1000WD PAGE 1-21)
(PART OF M1000YD PAGE 1-39)**

Item	Part Number	FRU	Name	Quantity	Description (Remarks)
3	2146243	2	UFI LABEL KT	1	MULTI-LINGUAL LABEL KIT (SEE PAGE 1-167)
4	2138300-3	N	SYS CAB W/MC	1	1.5T SYSTEM CABINET WITH MULTICOIL (SEE SECTION 8)
5A	2224560	N	RF CABINET	1	RF/PDU CABINET (SEE SECTION 14)
5B	2160200	N	RF/PEN CAB	ALT	1.5T RF/PEN STREAMLINE CAB W/AMP (SEE SECTION 10)
5C	2109930	N	RF/PEN CAB	ALT	1.5T RF/PEN CAB WITH MULTICOIL (SEE SECTION 10)
6	2172035	N	ASSEMBLY	1	SGD BASE CABINET - P9358GE (SEE SECTION 9)
10	2207030	N	COLLECTOR	1	LX2 OCTANE SY COMP/W-S/W (SEE SECTION 13)

LX2 SGD/OCTN 1.5T HiSpeed w/MC46-271000G107 FRU N

(PART OF M1000WF PAGE 1-21)
(PART OF M1000YF PAGE 1-40)

Item	Part Number	FRU	Name	Quantity	Description (Remarks)
3	2146243	2	UFI LABEL KT	1	MULTI-LINGUAL LABEL KIT (SEE PAGE 1-167)
4	2138300-3	N	SYS CAB W/MC	1	1.5T SYSTEM CABINET WITH MULTICOIL (SEE SECTION 8)
5A	2224560	N	RF CABINET	1	RF/PDU CABINET (SEE SECTION 14)
5B	2160200	N	RF/PEN CAB	ALT	1.5T RF/PEN STREAMLINE CAB W/AMP (SEE SECTION 10)
5C	2109930	N	RF/PEN CAB	ALT	1.5T RF/PEN CAB WITH MULTICOIL (SEE SECTION 10)
6	2169944	N	CABINET ASM	1	SGD HI-SLEW CABINET (SEE SECTION 9)
10	2207030	N	COLLECTOR	1	LX2 OCTANE SY COMP/W-S/W (SEE SECTION 13)

LX2 SGD/OCTN 1.5T EchoSpeed w/MC46-271000G108FRU N

(PART OF M1000WG PAGE 1-22)
(PART OF M1000YG PAGE 1-40)

Item	Part Number	FRU	Name	Quantity	Description (Remarks)
3	2146243	2	UFI LABEL KT	1	MULTI-LINGUAL LABEL KIT (SEE PAGE 1-167)
4	2138300-2	N	SYSCA W/FRMC	1	1.5T SYSTEM CABINET (SEE SECTION 8)
5A	2224560	N	RF CABINET	1	RF/PDU CABINET (SEE SECTION 14)
5B	2160200	N	RF/PEN CAB	ALT	1.5T RF/PEN STREAMLINE CAB W/AMP (SEE SECTION 10)
5C	2109930	N	RF/PEN CAB	ALT	1.5T RF/PEN CAB WITH MULTICOIL (SEE SECTION 10)
6	2169944	N	CABINET ASM	1	SGD HI-SLEW CABINET (SEE SECTION 9)
10	2207030	N	COLLECTOR	1	LX2 OCTANE SY COMP/W-S/W (SEE SECTION 13)

LX2 CRM 1.5T EchoSpeed w/MC 46-271000G109 FRU N

(PART OF M1000WH PAGE 1-32)
(PART OF M1000WY PAGE 1-39)

Item	Part Number	FRU	Name	Quantity	Description (Remarks)
3	2146243	2	UFI LABEL KT	1	MULTI-LINGUAL LABEL KIT (SEE PAGE 1-167)
4	2138300-16	N	PERF SYS CAB	1	1.5T LX CRM SYSCAB W/FAST (SEE SECTION 8)
5A	2224560	N	RF CABINET	1	RF/PDU CABINET (SEE SECTION 14)
5B	2160200	N	RF/PEN CAB	ALT	1.5T RF/PEN STREAMLINE CAB W/AMP (SEE SECTION 10)
5C	2109930	N	RF/PEN CAB	ALT	1.5T RF/PEN CAB WITH MULTICOIL (SEE SECTION 10)
6	2169944	N	CABINET ASM	1	SGD HI-SLEW CABINET (SEE SECTION 9)
10	2207030-2	N	COLLECTOR	1	LX2 OCTANE OW SYS COMP W/CRM S/W (SEE SECTION 13)

LX3 SGD/OCTN 1.5T w/o M-COIL 46-271000G111 FRU N (PART 3 OF M1000ZA PAGE 1-41)

Item	Part Number	FRU	Name	Quantity	Description (Remarks)
3	2146243	2	UFI LABEL KT	1	MULTI-LINGUAL LABEL KIT (SEE PAGE 1-167)
4	2138300-21	N	PERF SYS CAB	1	1.5T SR20 CABINET W/O PA (SEE SECTION 8)
5	2224560	N	RF CABINET	1	RF/PDU CABINET (SEE SECTION 14)
6	2172035	N	ASSEMBLY	1	SGD BASE CABINET - P9358GE (SEE SECTION 9)
10	2207030-3	N	COLLECTOR	1	LX3 OCTANE OW W/ SW (SEE SECTION 13)

LX3 SGD/OCTN 1.5T w/M-COIL 46-271000G112 FRU N (PART 3 OF M1000ZB PAGE 1-41)

Item	Part Number	FRU	Name	Quantity	Description (Remarks)
3	2146243	2	UFI LABEL KT	1	MULTI-LINGUAL LABEL KIT (SEE PAGE 1-167)
4	2138300-20	N	PERF SYS CAB	1	1.5T SR20/77 CABINET W/PA (SEE SECTION 8)
5	2224560	N	RF CABINET	1	RF/PDU CABINET (SEE SECTION 14)
6	2172035	N	ASSEMBLY	1	SGD BASE CABINET - P9358GE (SEE SECTION 9)
10	2207030-3	N	COLLECTOR	1	LX3 OCTANE OW W/ SW (SEE SECTION 13)

LX3 SGD 1.5T HiSpeed w/MC 46-271000G113 FRU N (PART 3 OF M1000ZH PAGE 1-41)

Item	Part Number	FRU	Name	Quantity	Description (Remarks)
3	2146243	2	UFI LABEL KT	1	MULTI-LINGUAL LABEL KIT (SEE PAGE 1-167)
4	2138300-20	N	PERF SYS CAB	1	1.5T SR20/77 CABINET W/PA (SEE SECTION 8)
5	2224560	N	RF CABINET	1	RF/PDU CABINET (SEE SECTION 14)
6	2169944	N	CABINET ASM	1	SGD HI-SLEW CABINET (SEE SECTION 9)
10	2207030-3	N	COLLECTOR	1	LX3 OCTANE OW W/ SW (SEE SECTION 13)

**LX3 SGD 1.5T EchoSpeed w/MC 46-271000G114 FRU N (PART 3 OF M1000ZJ PAGE 1-42)
(PART 3 OF M1000ZK PAGE 1-42)**

Item	Part Number	FRU	Name	Quantity	Description (Remarks)
3	2146243	2	UFI LABEL KT	1	MULTI-LINGUAL LABEL KIT (SEE PAGE 1-167)
4	2138300-19	N	PERF SYS CAB	1	1.5T SYSTEM CABINET (SEE SECTION 8)
5	2224560	N	RF CABINET	1	RF/PDU CABINET (SEE SECTION 14)
6	2169944	N	CABINET ASM	1	SGD HI-SLEW CABINET (SEE SECTION 9)
10	2207030-3	N	COLLECTOR	1	LX3 OCTANE OW W/ SW (SEE SECTION 13)

PLSR SGD 1.5T EchoSpeed w/MC 46-271000G115 FRU N (PART OF M1000ZS PAGE 1-42)

Item	Part Number	FRU	Name	Quantity	Description (Remarks)
3	2146243	2	UFI LABEL KT	1	MULTI-LINGUAL LABEL KIT (SEE PAGE 1-167)
4	2138300-19	N	PERF SYS CAB	1	1.5T SYSTEM CABINET (SEE SECTION 8)
5	2224560	N	RF CABINET	1	RF/PDU CABINET (SEE SECTION 14)
6	2169944	N	CABINET ASM	1	SGD HI-SLEW CABINET (SEE SECTION 9)
10	2207030-6	N	COLLECTOR	1	PULSAR OCTANE OW W/SW (SEE SECTION 13)

8.x OCTANE 1.0T BASE w/o MC 46-271000G205 FRU N (PART OF M1800WA PAGE 1-22)

Item	Part Number	FRU	Name	Quantity	Description (Remarks)
4	2138300-6	N	1.0T SYS CAB	1	1.0T SYSTEM CABINET (SEE SECTION 8)
5	2160200-3	N	RF/PEN CAB	1	1.0T RF/PEN STREAMLINE CAB WITH AMP (SEE SECTION 10)
5A	2109930-2	N	RF/PEN CAB	ALT	1.0T RF/PEN CAB WITH MULTICOIL (SEE SECTION 10)
6	2172035	N	ASSEMBLY	1	SGD BASE CABINET - P9358GE (SEE SECTION 9)
10	2207030	N	COLLECTOR	1	LX2 OCTANE SY COMP/W-S/W (SEE SECTION 13)

8.x OCTANE 1.0T BASE with MC 46-271000G206 FRU N (PART OF M1800WD PAGE 1-22)

Item	Part Number	FRU	Name	Quantity	Description (Remarks)
4	2138300-9	N	1.0T PERF&MC	1	1.0T SYSTEM CABINET (SEE SECTION 8)
5	2160200-3	N	RF/PEN CAB	1	1.0T RF/PEN STREAMLINE CAB WITH AMP (SEE SECTION 10)
5A	2109930-2	N	RF/PEN CAB	ALT	1.0T RF/PEN CAB WITH MULTICOIL (SEE SECTION 10)
6	2172035	N	ASSEMBLY	1	SGD BASE CABINET - P9358GE (SEE SECTION 9)
10	2207030	N	COLLECTOR	1	LX2 OCTANE SY COMP/W-S/W (SEE SECTION 13)

8.x OCTANE 1.0T HiSpeed w/o MC 46-271000G207 FRU N (PART OF M1800WE PAGE 1-23)

Item	Part Number	FRU	Name	Quantity	Description (Remarks)
4	2138300-6	N	1.0T SYS CAB	1	1.0T SYSTEM CABINET (SEE SECTION 8)
5	2160200-3	N	RF/PEN CAB	1	1.0T RF/PEN STREAMLINE CAB WITH AMP (SEE SECTION 10)
5A	2109930-2	N	RF/PEN CAB	ALT	1.0T RF/PEN CAB WITH MULTICOIL (SEE SECTION 10)
6	2169944	N	CABINET ASM	1	SGD HI-SLEW CABINET (SEE SECTION 9)
10	2207030	N	COLLECTOR	1	LX2 OCTANE SY COMP/W-S/W (SEE SECTION 13)

8.x OCTANE 1.0T HiSpeed w/MC 46-271000G208 FRU N (PART OF M1800WF PAGE 1-23)

Item	Part Number	FRU	Name	Quantity	Description (Remarks)
4	2138300-9	N	1.0T PERF&MC	1	1.0T SYSTEM CABINET (SEE SECTION 8)
5	2160200-3	N	RF/PEN CAB	1	1.0T RF/PEN STREAMLINE CAB WITH AMP (SEE SECTION 10)
5A	2109930-2	N	RF/PEN CAB	ALT	1.0T RF/PEN CAB WITH MULTICOIL (SEE SECTION 10)
6	2169944	N	CABINET ASM	1	SGD HI-SLEW CABINET (SEE SECTION 9)
10	2207030	N	COLLECTOR	1	LX2 OCTANE SY COMP/W-S/W (SEE SECTION 13)

**LX2 SGD 1.0T BASE w/o MC 46-271000G209 FRU N (PART OF M1800WH PAGE 1-36)
(PART OF M1800YA PAGE 1-45)**

Item	Part Number	FRU	Name	Quantity	Description (Remarks)
4	2138300-6	N	1.0T SYS CAB	1	1.0T SYSTEM CABINET (SEE SECTION 8)
5	2174501	N	ASSEMBLY	1	RF/PDU CABINET (SEE SECTION 14)
6	2172035	N	ASSEMBLY	1	SGD BASE CABINET - P9358GE (SEE SECTION 9)
10	2207030	N	COLLECTOR	1	LX2 OCTANE SY COMP/W-S/W (SEE SECTION 13)

**LX2 SGD 1.0T BASE w/MC 46-271000G210 FRU N (PART OF M1800WJ PAGE 1-36)
(PART OF M1800YD PAGE 1-45)**

Item	Part Number	FRU	Name	Quantity	Description (Remarks)
4	2138300-9	N	1.0T PERF&MC	1	1.0T SYSTEM CABINET (SEE SECTION 8)
5	2174501	N	ASSEMBLY	1	RF/PDU CABINET (SEE SECTION 14)
6	2172035	N	ASSEMBLY	1	SGD BASE CABINET - P9358GE (SEE SECTION 9)
10	2207030	N	COLLECTOR	1	LX2 OCTANE SY COMP/W-S/W (SEE SECTION 13)

LX2 SGD 1.0T HiSpeed w/o MC 46-271000G211 FRU N (PART OF M1800WK PAGE 1-36)
(PART OF M1800YE PAGE 1-45)

Item	Part Number	FRU	Name	Quantity	Description (Remarks)
4	2138300-6	N	1.0T SYS CAB	1	1.0T SYSTEM CABINET (SEE SECTION 8)
5	2174501	N	ASSEMBLY	1	RF/PDU CABINET (SEE SECTION 14)
6	2169944	N	CABINET ASM	1	SGD HI-SLEW CABINET (SEE SECTION 9)
10	2207030	N	COLLECTOR	1	LX2 OCTANE SY COMP/W-S/W (SEE SECTION 13)

LX2 SGD 1.0T HiSpeed w/MC 46-271000G212 FRU N (PART OF M1800WL PAGE 1-37)
(PART OF M1800YF PAGE 1-46)

Item	Part Number	FRU	Name	Quantity	Description (Remarks)
4	2138300-9	N	1.0T PERF&MC	1	1.0T SYSTEM CABINET (SEE SECTION 8)
5	2174501	N	ASSEMBLY	1	RF/PDU CABINET (SEE SECTION 14)
6	2169944	N	CABINET ASM	1	SGD HI-SLEW CABINET (SEE SECTION 9)
10	2207030	N	COLLECTOR	1	LX2 OCTANE SY COMP/W-S/W (SEE SECTION 13)

LX3 SGD 1.0T BASE w/o MC 46-271000G213 FRU N (PART OF M1800ZA PAGE 1-46)

Item	Part Number	FRU	Name	Quantity	Description (Remarks)
4	2138300-22	N	PERF SYS CAB	1	1.0T SYTEM CABINET W/O PA (SEE SECTION 8)
5	2174501	N	ASSEMBLY	1	RF/PDU SCALEABLE CABINET (SEE SECTION 14)
6	2172035	N	ASSEMBLY	1	SGD BASE CABINET - P9358GE (SEE SECTION 9)
10	2207030-3	N	COLLECTOR	1	LX3 OCTANE OW W/ SW (SEE SECTION 13)

LX3 SGD 1.0T BASE w/MC 46-271000G214 FRU N (PART 3 OF M1800ZB PAGE 1-46)

Item	Part Number	FRU	Name	Quantity	Description (Remarks)
4	2138300-23	N	PERF SYS CAB	1	1.0T SYSTEM CABINET W/PA (SEE SECTION 8)
5	2174501	N	ASSEMBLY	1	RF/PDU SCALEABLE CABINET (SEE SECTION 14)
6	2172035	N	ASSEMBLY	1	SGD BASE CABINET - P9358GE (SEE SECTION 9)
10	2207030-3	N	COLLECTOR	1	LX3 OCTANE OW W/ SW (SEE SECTION 13)

LX3 SGD 1.0T HiSpeed w/o MC 46-271000G215 FRU N PART OF M1800ZC PAGE 1-47)

Item	Part Number	FRU	Name	Quantity	Description (Remarks)
4	2138300-22	N	PERF SYS CAB	1	1.0T SYTEM CABINET W/O PA (SEE SECTION 8)
5	2174501	N	ASSEMBLY	1	RF/PDU SCALEABLE CABINET (SEE SECTION 14)
6	2169944	N	CABINET ASM	1	SGD HI-SLEW CABINET (SEE SECTION 9)
10	2207030-3	N	COLLECTOR	1	LX3 OCTANE OW W/ SW (SEE SECTION 13)

LX3 SGD 1.0T HiSpeed w/MC 46-271000G216 FRU N (PART 3 OF M1800ZD PAGE 1-47)

Item	Part Number	FRU	Name	Quantity	Description (Remarks)
4	2138300-23	N	PERF SYS CAB	1	1.0T SYSTEM CABINET W/PA (SEE SECTION 8)
5	2174501	N	ASSEMBLY	1	RF/PDU SCALEABLE CABINET (SEE SECTION 14)
6	2169944	N	CABINET ASM	1	SGD HI-SLEW CABINET (SEE SECTION 9)
10	2207030-3	N	COLLECTOR	1	LX3 OCTANE OW W/ SW (SEE SECTION 13)

MULTI-LINGUAL LABEL KIT

2146243 FRU 2

(PART OF 46-271000G SERIES

Item	Part Number	FRU	Name	Quantity	Description (Remarks)
2	2146833	2	VINYL STRIP	20	WHITE VINYL STRIP, 1"X5", ADHES BACK
3	2146832	2	WARNING TAG	20	UFI WARNING TAG, ADHESIVE BACK
4	2146831	2	WARN LABEL	2	UFI WARNING LABEL - ENGLISH
5	2146831-2	2	WARN LABEL	2	UFI WARNING LABEL - SPANISH
6	2146831-3	2	WARN LABEL	2	UFI WARNING LABEL - PORTUGUESE
7	2146831-4	2	WARN LABEL	2	UFI WARNING LABEL - ITALIAN
8	2146831-5	2	WARN LABEL	2	UFI WARNING LABEL - GERMAN
9	2146831-6	2	WARN LABEL	2	UFI WARNING LABEL - FRENCH
10	2146831-7	2	WARN LABEL	2	UFI WARNING LABEL - CHINESE
11	2146831-8	2	WARN LABEL	2	UFI WARNING LABEL - JAPANESE

1-20 SYSTEM CABINET OPTIONS

CATALOG M1000MG FRU N RECON PROCESSOR – HEX I860 MEDCAM

Item	Part Number	FRU	Name	Quantity	Description (Remarks)
1	2101767-22	1	MEDCAM	1	MERCURY 900-05026 MEDCAM W/3 16 MB DUAL CE NODE, 128MB AND COVER FOR FOREPLANE (SEE SECTION 8)

CATALOG M1000ML FRU N 8.x RECON PROCESSOR – SINGLE I860 MEDCAM

Item	Part Number	FRU	Name	Quantity	Description (Remarks)
1	2101767-18	1	MEDCAM	1	MERCURY 900-05019 MEDCAM WITH 8 MB NODE, 128MB AND COVER FOR FOREPLANE (SEE SECTION 8)
1A	2101767-13	2	MEDCAM	ALT	MERCURY MEDCAM LX BASE ASM

CATALOG M1000MM FRU N 8.x RECON PROCESSOR – QUAD I860 MEDCAM

Item	Part Number	FRU	Name	Quantity	Description (Remarks)
1	2101767-20	1	MEDCAM	1	MERCURY 900-05025 MEDCAM WITH TWO 16 MB DUAL CE NODE, 128MB AND COVER FOR FOREPLANE (SEE SECTION 8)
1A	2101767-15	2	MEDCAM	ALT	MERCURY MEDCAM LX 128 MB ALTERNATE

CATALOG M1000RL FRU N REFLEX 20 PPC RECON PROCESSOR

Item	Part Number	FRU	Name	Quantity	Description (Remarks)
1	2222532-4	N	MEDCAM	1	LSI MEDCAM SNGL PPC W/128 MB MOD (SEE SECTION 8)

CATALOG M1000RM FRU N REFLEX 50 PPC RECON PROCESSOR

Item	Part Number	FRU	Name	Quantity	Description (Remarks)
1	2222532-5	N	MEDCAM	1	LSI MEDCAM DUAL PPC W/128MB MOD (SEE SECTION 8)

CATALOG M1000RN FRU N REFLEX 150 PPC RECON PROCESSOR

Item	Part Number	FRU	Name	Quantity	Description (Remarks)
1	2222532-7	N	MEDCAM	1	LSI MEDCAM HEX PPC W/128MB MOD (SEE SECTION 8)

CATALOG M3000RA FRU N REFLEX 100/512MB BAM

Item	Part Number	FRU	Name	Quantity	Description (Remarks)
1A	2292662-14	N	MEDCAM	1	AMI MEDCAM HEX PPC W/512MB PMOD (SEE SECTION 8)
1B	2292662-10	N	MEDCAM	ALT	FLEX MEDCAM HEX PPC W/512MB PMOD (SEE SECTION 8)

CATALOG M3000RB FRU N REFLEX 50/512MB BAM

Item	Part Number	FRU	Name	Quantity	Description (Remarks)
1	2292662-13	N	MEDCAM	1	AMI MEDCAM DUAL PPC W/512MB PMOD (SEE SECTION 8)
1	2292662-9	N	MEDCAM	1	FLEX MEDCAM DUAL PPC W/512MB PMOD (SEE SECTION 8)

CATALOG M3000RC FRU N REFLEX 50/256MB BAM

Item	Part Number	FRU	Name	Quantity	Description (Remarks)
1	2292662-12	N	MEDCAM	1	AMI MEDCAM DUAL PPC W/256MB PMOD (SEE SECTION 8)
1	2292662-8	N	MEDCAM	1	FLEX MEDCAM DUAL PPC W/256MB PMOD (SEE SECTION 8)

CATALOG M3000RD FRU N EXCITE REFLEX 100

Item	Part Number	FRU	Name	Quantity	Description (Remarks)
1	2325947-6	1	PROCESSOR	1	EXCITE REFLEX 100 (SEE PAGE 8-102)

CATALOG M3000RE FRU N EXCITE REFLEX 200

Item	Part Number	FRU	Name	Quantity	Description (Remarks)
1	2325947-7	1	PROCESSOR	1	EXCITE REFLEX 200 (SEE PAGE 8-102)

CATALOG M3000RF FRU N EXCITE REFLEX 400

Item	Part Number	FRU	Name	Quantity	Description (Remarks)
1	2325947-8	N	PROCESSOR	1	EXCITE REFLEX 400 (SEE PAGE 8-102)

CATALOG M3000RH FRU N EXCITE II REFLEX 200B (SEE PAGE 8-103)

CATALOG M3000RJ FRU N EXCITE II REFLEX 400B (SEE PAGE 8-103)

1-21 OPERATOR WORKSPACE CATALOGS

CATALOG M1000MH FRU N PIONEER MOD CHASSIS WITH DRIVE

Item	Part Number	FRU	Name	Quantity	Description (Remarks)
1	2164738	N	COLLECTOR	1	PIONEER MOD CHASSIS W/DRIVE & CABLES (SEE SEC. 13)

CATALOG M1000MJ FRU N 8.x FILMING I/F – ANALOG DASM

Item	Part Number	FRU	Name	Quantity	Description (Remarks)
1A	2251040	N	DASM LCAM	1	DASM II VDB 115V (SEE PAGE 1-170)
1B	46-269566P3	1	DASM-VDB	ALT	FILMING I/F KIT – ANALOG DASM (SEE SECTION 13)

DASM II VDB 2251040 FRU 1 (PART 1A OF M1000MJ PAGE 1-170)

Item	Part Number	FRU	Name	Quantity	Description (Remarks)
1	2249894-3	1	DASM-2 VDB	1	ANALOG DASM II VDB WITH FIRMWARE (SEE SECTION 13)
2	2163386	N	CABLE	1	(807) OW1A5 DASM TO OW1A2A3 HOST

CATALOG M1000MK FRU N 8.x FILMING I/F – DIGITAL DASM

Item	Part Number	FRU	Name	Quantity	Description (Remarks)
1A	2251043	2	DASM LCAM	1	DASM II LCAM 115V (SEE PAGE 1-170)
1B	2143388-2	1	DASM LCAM	ALT	FILMING I/F KIT – DIGITAL DASM (SEE SECTION 13)

DASM II LCAM 2251043 FRU N (PART 1A OF M1000MK PAGE 1-170)

Item	Part Number	FRU	Name	Quantity	Description (Remarks)
1	2249895	1	DASM-II LCAM	1	DIGITAL DASM II CAM (SEE SECTION 13)
2	2163386	2	CABLE	1	(807) OW1A5 DASM TO OW1A2A3 HOST
3	2150320	2	PART	1	37 PIN RS485 TYPE ADAPTEUR MALE/MALE

CATALOG M1000MN FRU N ENGLISH COUNTRY KIT WITH KEYBOARD

Item	Part Number	FRU	Name	Quantity	Description (Remarks)
1A	2307175	N	COLLECTOR	1	SCIM COLLECTOR – ENGLISH (SEE SECTION 13)
1B	2276441-10	1	BOARD	ALT	MR LX 104 ENGLISH KEYBOARD

CATALOG M1000MP FRU N FRENCH COUNTRY KIT WITH KEYBOARD

Item	Part Number	FRU	Name	Quantity	Description (Remarks)
1	2307175-2	1	COLLECTOR	1	SCIM COLLECTOR – FRENCH (SEE SECTION 13)

CATALOG M1000MR FRU N GERMAN COUNTRY KIT WITH KEYBOARD

Item	Part Number	FRU	Name	Quantity	Description (Remarks)
1	2307175-3	1	COLLECTOR	1	SCIM COLLECTOR – GERMAN (SEE SECTION 13)

CATALOG M1000MS FRU N SCANDANAVIAN COUNTRY KIT W/KEYBOARD

Item	Part Number	FRU	Name	Quantity	Description (Remarks)
1	2307175-6	1	COLLECTOR	1	SCIM COLLECTOR – SCANDINAVIAN (SEE SECTION 13)

CATALOG M1000MW FRU N WIDE WORKSTATION TABLE

Item	Part Number	FRU	Name	Quantity	Description (Remarks)
1	2304495	N	TABLE	1	WORKSTATION TABLE (SEE SECTION 13)
2	2154928	N	PART	1	COLOR MONITOR TABLE TIE DOWN KIT (SEE SECTION 13)

CATALOG M1000MY FRU N 8.x MONOCHROME MONITOR COLLECTOR

Item	Part Number	FRU	Name	Quantity	Description (Remarks)
1	2154895	N	COLLECTOR	1	MONOCHROME MONITOR COLLECTOR (SEE SECTION 13)

CATALOG M1000MZ FRU N 8.x COLOR MONITOR COLLECTOR

Item	Part Number	FRU	Name	Quantity	Description (Remarks)
1	2154896	N	COLLECTOR	1	COLOR MONITOR COLLECTOR (SEE SECTION 13)

CATALOG M1000NH FRU N ITALIAN COUNTRY KIT W/KEYBOARD

Item	Part Number	FRU	Name	Quantity	Description (Remarks)
1	2307175-4	1	COLLECTOR	1	SCIM COLLECTOR – ITALIAN (SEE SECTION 13)

CATALOG M1000NJ FRU N PORTUGUESE COUNTRY KIT W/KEYBOARD

Item	Part Number	FRU	Name	Quantity	Description (Remarks)
1	2307175-5	1	COLLECTOR	1	SCIM COLLECTOR – PORTUGUESE (SEE SECTION 13)

CATALOG M1000NK FRU N SPANISH COUNTRY KIT W/KEYBOARD

Item	Part Number	FRU	Name	Quantity	Description (Remarks)
1	2307175-7	1	COLLECTOR	1	SCIM COLLECTOR – SPANISH (SEE SECTION 13)

CATALOG M1000NT FRU N 19 INCH COLOR LCD MONITOR

Item	Part Number	FRU	Name	Quantity	Description (Remarks)
1	2295019	1	CABLE	1	13W3-DB15 RGB LCD STRAIGHT CONN CBL
2A	5117545	1	LCD MONITOR	1	19 INCH COLOR LCD MONITOR
2B	2349792	1	MONITOR	ALT	18.1 IN LCD COLOR MONITOR BEIGE
4	2376768	1	CD-ROM	1	GAMMA PATCH CD-ROM FOR LCD MONITORS

CATALOG M1000NZ FRU N LCD COLOR MONITOR COLLECTOR

Item	Part Number	FRU	Name	Quantity	Description (Remarks)
1A	2257061	N	COLLECTOR	1	LCD 20" AMBIX COLOR MONITOR COLLECTR (SEE PAGE 1-172)
1B	2216029	N	COLLECTOR	ALT	LCD COLOR MONITOR COLLECTOR (SEE PAGE 1-172)

LCD 20" COLOR MONITOR 2257061 FRU N (PART 1A OF M1000NZ PAGE 1-172)

Item	Part Number	FRU	Name	Quantity	Description (Remarks)
1	2213962-5	1	MONITOR	1	LX LCD COLOR MONITOR 20" AMBIX TECH
2	2256482	1	CABLE	1	CABLE, 13W3-DB15 RGB CRT

LCD COLOR MONITOR 2216029 FRU N (PART 1B OF M1000NZ PAGE 1-172)

Item	Part Number	FRU	Name	Quantity	Description (Remarks)
1	2213962-2	1	MONITOR	1	LX LCD COLOR MONITOR 2
1A	2213962	1	MONITOR	ALT	LX LCD COLOR MONITOR
2	2150533-2	1	CABLE ASM	1	(821/798) OW1A15/OW1A2A3 MON > OW1A6
2A	2177357	1	CABLE	ALT	COLOR VIDEO CABLE

CATALOG M1090ZN FRU N 100' LX OPERATOR WORKSPACE CABLES

Item	Part Number	FRU	Name	Quantity	Description (Remarks)
1	2241287	N	KIT OF PARTS	1	WORKSTATION CABLES COLLECTOR (SEE SECTION 13)
2	2150532-5	N	CABLE		(790) MR2A11J21 TO OW1A2A6 (NOT USED ON NEW SITES)
3	2241052-5	N	FIBER OPTIC	1	(836) OW1A15-BIT3 TO MR2A11A30-BIT3

CATALOG M1090ZP FRU N 100' EXCITE OPERATOR WORKSPACE CABLES

Item	Part Number	FRU	Name	Quantity	Description (Remarks)
1	2241287-2	N	KIT OF PARTS	1	WORKSTATION CABLES CLLECTR EXCITE (SEE SECTION 13)
2	2318811-5	N	PART	1	(1044TR)OW1 A15 BIT3 TO MR2 A11 J22

MOBILE MR OW MOUNTING KIT 2214269 FRU N (PART OF MOBILE INSTALLATION CATALOGS)

Item	Part Number	FRU	Name	Quantity	Description (Remarks)
1	2206260	2	MTG PAD	1	RUBBER MONITOR MOUNTING PAD
2	2204492	2	BRACKET	2	OCTANE MOBILE MOUNTING BRACKET
5	2212686	2	STRAP BRKT.	1	MOBILE MONITOR HOLD DOWN STRAP BRKT
6	2204498	2	BRACKET	1	MONITOR MOUNTING BRACKET
7	2296617-2	1	MONITOR	1	12.1" MONITOR MOBILE BASE
8	2363733	1	BRACKET	1	MONITOR BASE FOR MOBILE W/HARDWARE (SEE PAGE 1-92)

CATALOG M3000JB FRU N OPTIONAL 18GB DISK-OCTANE

Item	Part Number	FRU	Name	Quantity	Description (Remarks)
1	2169940-78	1	COMPUTER	1	OCT2 18GB 10K RPM DRIVE (REFER TO SECTION 13)

1-22 PDU CATALOGS

CATALOG M1009HA FRU N 5.x 60Hz 480V REGULATED & FILTERED PDU

Item	Part Number	FRU	Name	Quantity	Description (Remarks)
1	46-317099P10	N	UFI 60HZ PDU	1	REGULATED/FILTERED PDU WITH 480V (SEE SECTION 6)

CATALOG M1010HA FRU N 5.x 50/60Hz 380/415V REGULATED & FILTERED PDU

Item	Part Number	FRU	Name	Quantity	Description (Remarks)
1	46-317099P11	N	50/60HZ PDU	1	REGULATED/FILTERED PDU WITH 380/415V (SEE SECTION 6)

CATALOG M1011HA FRU N 8.x 60Hz 480V REGULATED & FILTERED PDU

Item	Part Number	FRU	Name	Quantity	Description (Remarks)
1	46-317099P20	N	60HZ PDU	1	REGULATED/FILTERED PDU WITH 480V (SEE SECTION 6)

CATALOG M1012HA FRU N 8.x 50/60Hz 380/415V REGULATED & FILTERED PDU

Item	Part Number	FRU	Name	Quantity	Description (Remarks)
1	46-317099P21	N	50/60HZ PDU	1	REGULATED/FILTERED PDU WITH 380/415V (SEE SECTION 6)

1-23 MAGNET MONITOR AND MODEM

MAGNET MONITORING – FIXED 2222520 FRU N (PART 2 OF M1060LA PAGE 1-116)
 (PART 2 OF M1060LB PAGE 1-117)
 (PART 3 OF M1860LA PAGE 1-119)

Item	Part Number	FRU	Name	Quantity	Description (Remarks)
1A	2394952	1	ASSEMBLY	1	MAGMON3
1B	2219400	1	ASSEMBLY	1	MAGNET MONITOR FOR NEW MR
1C	2209000	N	ASSEMBLY	ALT	MAGNET MONITOR (SEE PAGE 1-175)
2	2350809	N	CABLE KIT	1	CORE KIT (SEE PAGE 1-175)
3	2219341	1	PREAMPLIFIER	1	RUETHEUM OXIDE SENSOR AMPLIFIER
4	2245794	1	GLOBAL MODEM	1	GLOBAL MODEM KIT (SEE PAGE 1-176)

MAGNET MONITOR 2209000 FRU N (PART 1 OF 2222520 PAGE 1-175)
 (PART 1 OF 2222520-2 PAGE 1-176)

Item	Part Number	FRU	Name	Quantity	Description (Remarks)
1	2209000-3	2	ASSEMBLY	1	A/D BOARD (SLOT 4)
2	2209000-4	2	ASSEMBLY	1	NETWORK INTERFACE BOARD (SLOT 5)
3	2209000-5	2	ASSEMBLY	1	SENSOR INTERFACE BOARD (SLOT 6)
4	2209000-6	1	ASSEMBLY	1	FUSE, 315MA, FOR SENSOR I/F BOARD
5	2209000-7	2	ASSEMBLY	1	HIGH VOLTAGE DC POWER SUPPLY
6	2209000-8	2	ASSEMBLY	1	FRONT PANEL DISPLAY BOARD
7	2209000-12	N	ASSEMBLY	1	CASE FAN
8	2209000-13	2	ASSEMBLY	1	FILTER FOR CASE FAN
9	2209000-14	N	ASSEMBLY	1	KEY SWITCH (FITS ALL)
10	2209000-15	2	ASSEMBLY	1	KEY (FITS ALL)
11	2209000-16	N	ASSEMBLY	1	RIBBON CABLE FOR DISPLAY BOARD
12	2209000-17	1	ASSEMBLY	1	MODEM BOARD (SLOT 3)
13	2229090-100	N	DIRECTION	1	MAGNET MONITOR OPERATOR'S MANUAL
14	2230681	N	DIRECTION	1	MAGNET MONITOR HARDWARE INSTALLATION

MAGNET MONITOR CORE KIT 2350809 FRU N (PART 2 OF 2222520 PAGE 1-175)
 (PART 2 OF 2222520-2 PAGE 1-176)

Item	Part Number	FRU	Name	Quantity	Description (Remarks)
1	46-317359G975	2	CABLE	1	(824TR) PP1-J10 TO FJ1
2	46-328000G976	N	ASSEMBLY	1	(829) MS1-FJ2 TO PP1-J48
3	46-317359G977	2	CABLE	1	(825TR) PP1-J48 TO MSM1-A1-J8
4	46-328000G980	N	ASSEMBLY	1	(831) FJ1 TO MSM1-A1-J7
5	46-328000G978	N	ASSEMBLY	1	(826) FJ3 TO MSM1-A1-J9
6	46-328578P1	2	CABLE ASM	1	(827) FJ3 TO FJ4 & MS5A5
7	46-328000G979	2	ASSEMBLY	1	(823) MSM1-J10 TO MR2-A11-J24
8	2204485	2	CABLE	1	CABLE, SYSCAB INTERFACE
9	46-328000G981	2	ASSEMBLY	1	(833) FJ4 TO MS5-A1-A6-JR
10	2333825	2	SENSOR ASM	1	WATER FLOW (TURBINE)/TEMP SENSOR ASM
11	46-265067P1	2	CABLE MOUNT	10	I/F PANEL CABLE SCREWLOCK CONNECTOR
12	46-328000G974	2	ASSEMBLY	1	(828) MS1-A3-A1-J403 TO PP1-J10
13	2222797	2	CABLE	1	(830) CABLE, MAGNET ROOM INTERFACE
14	46-296816P1	2	CONNECTOR	1	ADAPTER, BNC TEE, 50 OHM
15	2276568	2	CABLE	1	(940) MSM3-RS-232 TO MSM1-J1

TwinSpeed MAGNET MONITOR – FIXED 2304069 FRU N (PART OF M3060TA PAGE 1–120)

Item	Part Number	FRU	Name	Quantity	Description (Remarks)
2	2219400	1	ASSEMBLY	1	MAGNET MONITOR FOR NEW MR
3	2350809	N	KIT	1	CORE KIT (SEE PAGE 1–177)
4	2219341	1	PREAMPLIFIER	1	RUTHENIUM OXIDE SENSOR AMPLIFIER
5	2245794	1	GLOBAL MODEM	1	GLOBAL MODEM KIT (SEE PAGE 1–176)
6	2229090–100	N	DIRECTION	1	MAGNET MONITOR OPERATOR'S MANUAL
7	2230681	N	DIRECTION	1	MAGNET MONITOR HARDWARE INSTALLATION
10	2350813	N	KIT	1	KIT, TWIN (SEE PAGE 1–177)

TwinSpeed MAGNET MONITOR – MOB 2304069–2 FRU N (PART OF M3061TA PAGE 1–120)

Item	Part Number	FRU	Name	Quantity	Description (Remarks)
2	2219400	N	ASSEMBLY	1	MAGNET MONITOR FOR NEW MR
3	2350809	N	KIT	1	CORE KIT (SEE PAGE 1–177)
4	2219341	N	PREAMPLIFIER	1	RUTHENIUM OXIDE SENSOR AMPLIFIER
6	2266628	N	BOX	1	MAGNET MONITOR REMOTE ALARM BOX
7	2276094	N	POWER SUPPLY	1	UNINTERRUPTIBLE POWER SUPPLY
8	2229090–100	N	DIRECTION	1	MAGNET MONITOR OPERATOR'S MANUAL
9	2230681	N	DIRECTION	1	MAGNET MONITOR HARDWARE INSTALLATION
10	2281730	N	BRACKET	2	UPS MOUNTING BRACKET
11	2350818	N	KIT	1	KIT, TWIN MOBILE (SEE PAGE 1–178)
14	2350813	N	KIT	1	KIT, TWIN (SEE PAGE 1–177)
15	2385399	2	KIT OF PARTS	1	MOBILE SATELLITE MODEM KIT (SEE PAGE 1–176)

**TwinSpeed CABLES AND CORE KIT 2350809 FRU N (PART 3 OF 2304069 PAGE 1–177)
(PART 3 OF 2304069–2 PAGE 1–177)**

Item	Part Number	FRU	Name	Quantity	Description (Remarks)
1	46–317359G975	2	CABLE	1	(824TR) PP1–J10 TO FJ1
2	46–328000G976	N	ASSEMBLY	1	(829) MS1–FJ2 TO PP1–J48
3	46–317359G977	2	CABLE	1	(825TR) PP1–J48 TO MSM1–A1–J8
4	46–328000G980	N	ASSEMBLY	1	(831) FJ1 TO MSM1–A1–J7
5	46–328000G978	N	ASSEMBLY	1	(826) FJ3 TO MSM1–A1–J9
6	46–328578P1	2	CABLE ASM	1	(827) FJ3 TO FJ4 & MS5A5
7	46–328000G979	N	ASSEMBLY	1	(823) MSM1–J10 TO MR2–A11–J24
8	2204485	2	CABLE	1	CABLE, SYSCAB INTERFACE
9	46–328000G981	2	ASSEMBLY	1	(833) FJ4 TO MS5–A1–A6–JR
10	2333825	2	SENSOR ASM	1	WATER FLOW (TURBINE)/TEMP SENSOR ASM
11	46–265067P1	2	CABLE MOUNT	10	I/F PANEL CABLE SCREWLOCK CONNECTOR
12	46–328000G974	2	ASSEMBLY	1	(828) MS1–A3–A1–J403 TO PP1–J10
13	2222797	2	CABLE	1	(830) CABLE, MAGNET ROOM INTERFACE
14	46–296816P1	2	CONNECTOR	1	ADAPTER, BNC TEE, 50 OHM
15	2276568	2	CABLE	1	(940) MSM3–RS–232 TO MSM1–J1

**TwinSpeed CABLE KIT 2350813 FRU N (PART 10 OF 2304069 PAGE 1–177)
(PART 3 OF 2304069–2 PAGE 1–177)**

Item	Part Number	FRU	Name	Quantity	Description (Remarks)
1	2263200–39	N	CABLE	1	(941) MSM1–J11 TO SCC–J1
2	2271497	N	CABLE	1	(942) ETHERNET CABLE

TwinSpeed MOBILE CABLES

2350818 FRU N

(PART 11 OF 2304069-2 PAGE 1-177)

Item	Part Number	FRU	Name	Quantity	Description (Remarks)
1	2263160	1	CABLE	1	(915) MSM1A2-J1 TO FJ6
2	2263159	N	CABLE	1	(916) MSM1-J7 TO FJ1, FJ5 AND FJ6
3	2276569	N	CABLE	1	(939) MDP-UPS OUT TO MSM4
4	2279530	N	STRAIN RELIE	1	UPS INPUT CABLE STRAIN RELIEF
5	2279530-2	N	STRAIN RELIE	1	UPS OUTPUT CABLE STRAIN RELIEF
6	2279530-3	N	STRAIN RELIE	1	MUX INPUT CABLE STRAIN RELIEF
7	2279530-4	N	STRAIN RELIE	2	MODEM/MAG MON INPUT CBL STRAINRELIEF

8.x INSITE KIT w/o MODEM 46-301708G14 FRU N (PART OF M1000 SERIES PAGES 1-10 THRU 1-42)
 (PART OF M1800 SERIES PAGES 1-13 THRU 1-47)

Item	Part Number	FRU	Name	Quantity	Description (Remarks)
13	46-320095P1	2	ID MAGNETS	1	CABINET MAGNET – COMPUTER (MAIN)
16	46-320095P4	2	ID MAGNETS	1	CABINET MAGNET – PDU
17	46-320095P5	2	ID MAGNETS	1	CABINET MAGNET – SYSTEMS
19	46-320095P7	2	ID MAGNETS	1	CABINET MAGNET – GRADIENT
21	46-320095P13	2	ID MAGNETS	1	CABINET MAGNET – RF/PENETRATION
22	46-320095P14	2	ID MAGNETS	1	CABINET MAGNET – GRAM

MONITOR SUPPORT KIT 46-317636G1 FRU N (PART OF 46-282429G27 PAGE 1-180)
 (PART OF 46-282429G29 PAGE 1-181)
 (PART OF 46-282429G31 PAGE 1-181)
 (PART OF 46-282429G64 PAGE 1-184)
 (PART OF 46-282429G65 PAGE 1-184)
 (PART OF 46-282429G67 PAGE 1-185)
 (PART OF 46-282429G68 PAGE 1-185)
 (PART OF 46-282429G70 PAGE 1-186)
 (PART OF 46-282429G71 PAGE 1-186)
 (PART OF 46-282429G73 PAGE 1-187)
 (PART OF 46-282429G74 PAGE 1-187)
 (PART OF 46-282429G81 PAGE 1-189)
 (PART OF 46-282429G82 PAGE 1-189)
 (PART OF 46-282429G84 PAGE 1-190)
 (PART OF 46-282429G85 PAGE 1-190)
 (PART OF 46-282429G100 PAGE 1-192)
 (PART OF 46-282429G101 PAGE 1-192)
 (PART OF 46-282429G102 PAGE 1-193)
 (PART OF 46-282429G103 PAGE 1-193)

Item	Part Number	FRU	Name	Quantity	Description (Remarks)
1	46-317514P1	2	BRKT.	1	BRACKET TO SUPPORT CRYOGEN MONITOR
3	46-208941P5	2	NUT,HEX,MS	2	6-32 .313 HEX X .108 THK
4	46-208601P3	2	WASHER,LOCK	2	SCREW SIZE #06 INTERNAL TOOTH
5	46-208560P28	2	SCREW,MACH	2	006-32 X 0.750 LG BIND HD STL F70B5A
6	46-208561P28	2	SCREW,CAP	1	001/4-20 X 0.375 LG HEX HD STL GRADE

1-24 SYSTEM CABLE COLLECTORS

5.x 1.5T FIXED w/o MC 46-282429G26 FRU N (PART OF M1000PM PAGE 1-5)
 (PART OF M1030PM PAGE 1-5)

Item	Part Number	FRU	Name	Quantity	Description (Remarks)
5	46-258771G32	N	SYSTEM CABLE	1	UFI FIXED SITE WITHOUT MULTICOIL (SEE PAGE 1-199)
6	46-258790G24	N	PDU CABLES	1	UFI PDU CABLES, FIXED (SEE PAGE 1-218)
8	46-320586P1	2	LADDER	1	ALL ALUMINUM LADDER
21	46-317598G23	N	XMIT COLL	1	1.5T FIXED SITE HELIAX & CONNECTORS (SEE PAGE 1-230)
41	46-317126G3	N	COVER KIT	1	UFI PENETRATION PANEL COVER KIT (SEE SECTION 4)
52	46-317249G15	N	FO CABLE KIT	1	UFI FIXED SITE FIBER OPTIC SYS CABLE (SEE PAGE 1-237)
53	2105371	N	RF CABLE SET	1	RF CABINET FLEXIBLE EXTENSION CABLES (SEE PAGE 1-229)
70	2120963	N	GRAD CBL KIT	1	100 FT CABLES, RUNS 762, 763, 764 (SEE PAGE 1-234)
71	2133830	N	HE-1 CABINET	1	HEAT EXCHANGER CABINET, HE-1 (SEE PAGE 1-217)
72	2128542	N	HOSE KIT	1	2 RUBBER HOSE WITH 8 CLAMPS IN A BOX (SEE PAGE 1-217)

5.x 1.5T T/R w/o MC 46-282429G27 FRU N (PART OF M1020PM PAGE 1-5)

Item	Part Number	FRU	Name	Quantity	Description (Remarks)
5	46-258771G27	N	SYSTEM CABLE	1	UFI T/R SITE W/O MULTICOIL (SEE PAGE 1-194)
6	46-258790G26	N	PDU CABLES	1	UFI PDU CABLES, 1.5T AND T/R (SEE PAGE 1-219)
8	46-320586P1	2	LADDER	1	ALL ALUMINUM LADDER
19	46-265504G1	2	RF CABLE KIT	1	RF CABINET SERVICE LOOP CABLE KIT (SEE PAGE 1-229)
21	46-317598G20	N	XMIT COLL	1	1.5T FIXED SITE HELIAX & CONNECTORS (SEE PAGE 1-230)
36	46-317636G1	N	SUPPORT KIT	1	CRYOGEN MONITOR SUPPORT BRACKET KIT (SEE PG 1-179)
52	46-317249G17	N	CABLES F.O.	1	UFI T/R FIBER OPTIC SYSTEM CABLES (SEE PAGE 1-237)
70	2120963	N	GRAD CBL KIT	1	100 FT CABLES, RUNS 762, 763, 764 (SEE PAGE 1-234)
71	2133830	N	HE-1 CABINET	1	HEAT EXCHANGER CABINET, HE-1 (SEE PAGE 1-217)
72	2128542	N	HOSE KIT	1	2 RUBBER HOSE WITH 8 CLAMPS IN A BOX (SEE PAGE 1-217)

5.x 1.5T FIXED w/MC 46-282429G28 FRU N (PART OF M1001PM PAGE 1-5)
 (PART OF M1031PM PAGE 1-5)

Item	Part Number	FRU	Name	Quantity	Description (Remarks)
5	46-258771G28	N	SYS CABLES	1	UFI FIXED WITH MULTICOIL (SEE PAGE 1-196)
6	46-258790G24	N	PDU CABLES	1	UFI PDU CABLES, FIXED (SEE PAGE 1-218)
8	46-320586P1	2	LADDER	1	ALL ALUMINUM LADDER
21	46-317598G23	N	XMIT COLL	1	1.5T FIXED SITE HELIAX & CONNECTORS (SEE PAGE 1-230)
41	46-317126G3	N	COVER KIT	1	UFI PENETRATION PANEL COVER KIT (SEE SECTION 4)
52	46-317249G15	N	FO CABLE KIT	1	UFI FIXED SITE FIBER OPTIC SYS CABLE (SEE PAGE 1-237)
53	2105371	N	RF CABLE SET	1	RF CABINET FLEXIBLE EXTENSION CABLES (SEE PAGE 1-229)
70	2120963	N	GRAD CBL KIT	1	100 FT CABLES, RUNS 762, 763, 764 (SEE PAGE 1-234)
71	2133830	N	HE-1 CABINET	1	HEAT EXCHANGER CABINET, HE-1 (SEE PAGE 1-217)
72	2128542	N	HOSE KIT	1	2 RUBBER HOSE WITH 8 CLAMPS IN A BOX (SEE PAGE 1-217)

8.x 1.5T Cx MOB w/ OR w/o MC 46-282429G32 FRU N (PART OF M1050PN PAGE 1-24)
 (PART OF M1051PN PAGE 1-25)

Item	Part Number	FRU	Name	Quantity	Description (Remarks)
5	46-258771G38	N	ASSEMBLY	1	LX MOBILE WITH OR W/O MULTICOIL (SEE PAGE 1-203)
6	46-258790G29	N	ASSEMBLY	1	LX TRUE MOBILE POWER/GROUND CABLES (SEE PG 1-220)
8	46-320586P1	2	LADDER	1	ALL ALUMINUM LADDER
19	46-265504G1	N	RF CABLE KIT	1	RF CABINET SERVICE LOOP CABLE KIT (SEE PAGE 1-229)
21	46-317598G24	N	XMIT COLL	1	TRUE MOBILE RF CABLES & ADAPTERS (SEE PAGE 1-230)
36	46-317636G1	N	SUPPORT KIT	1	CRYO MONITOR SUPPORT BRACKET KIT (SEE PAGE 1-179)
52	46-317249G22	N	ASSEMBLY	1	LX TRUE MOBILE FIBER OPTIC SYS CABLE (SEE PAGE 1-238)
60	46-320801G2	2	1.5T 5.5 M/C	1	5.5 KIT TO LOCATE SELECT RELAY (SEE PAGE 1-233)
70	2120963-3	N	KIT OF PARTS	1	GRADIENT CABLE KIT FOR MOBILES (SEE PAGE 1-235)
71	2133830	N	HE-1 CABINET	1	HEAT EXCHANGER CABINET, HE-1 (SEE PAGE 1-217)
72	2128542	N	HOSE KIT	1	2 RUBBER HOSE WITH 8 CLAMPS IN A BOX (SEE PAGE 1-217)

8.x SGD 1.5T FXD w/ OR w/o MC 46-282429G36 FRU N (PART OF M1000PR PAGE 1-16)
 (PART OF M1001PR PAGE 1-16)
 (PART OF M1030PR PAGE 1-16)
 (PART OF M1031PR PAGE 1-16)
 (PART OF M1040PR PAGE 1-24)
 (PART OF M1041PR PAGE 1-24)
 (PART OF M1042PR PAGE 1-32)
 (PART OF M1043PR PAGE 1-32)
 (PART OF M1071PR PAGE 1-26)
 (PART OF M1073PR PAGE 1-33)

Item	Part Number	FRU	Name	Quantity	Description (Remarks)
5	46-258771G35	2	ASSEMBLY	1	LX FIXED SITE WITH OR W/O MULTICOIL (SEE PAGE 1-201)
6	46-258790G30	2	PDU CABLES	1	LX SGD PDU CABLES, FIXED (SEE PAGE 1-221)
7	46-271364G504	2	CABLE ASM	1	(009M) MR1-J1 TO PD1-A2 35 FT
8	46-320586P1	2	LADDER	1	ALL ALUMINUM LADDER
9	46-255947G608	2	GROUND WIRE	1	(038) MR1-A7-GND TO PD1-A2-A2 36 FT
21	46-317598G23	N	XMIT COLL	1	1.5T FIXED SITE HELIAX & CONNECTORS (SEE PAGE 1-230)
41	46-317126G3	N	COVER KIT	1	UFI PENETRATION PANEL COVER KIT (SEE SECTION 4)
52	46-317249G25	2	CABLES F.O.	1	LX SGD FIXED SITE FIBEROPTIC SYS CBL (SEE PAGE 1-239)
53	2105371	N	RF CABLE SET	1	RF CABINET FLEXIBLE EXTENSION CABLES (SEE PAGE 1-229)
70	2120963-4	N	GRAD CBL KIT	1	100 FT CABLES, RUNS 762, 763, 764 (SEE PAGE 1-235)
71	2133830	N	HE-1 CABINET	1	HEAT EXCHANGER CABINET, HE-1 (SEE PAGE 1-217)
72	2128542	N	HOSE KIT	1	2 RUBBER HOSE WITH 8 CLAMPS IN A BOX (SEE PAGE 1-217)

8.x SGD 1.5T T/R w/ OR w/o MC 46-282429G37 FRU N (PART OF M1020PR PAGE 1-16)
 (PART OF M1021PR PAGE 1-16)
 (PART OF M1060PR PAGE 1-25)
 (PART OF M1061PR PAGE 1-25)
 (PART OF M1062PR PAGE 1-33)
 (PART OF M1063PR PAGE 1-33)

Item	Part Number	FRU	Name	Quantity	Description (Remarks)
5	46-258771G36	N	ASSEMBLY	1	LX 1.5T T/R WITH OR W/O MULTICOIL (SEE PAGE 1-202)
6	46-258790G31	N	PDU CABLES	1	LX SGD PDU CABLES T/R (SEE PAGE 1-221)
7	46-271364G104	2	CABLE ASM	1	RUN 009, MR1J1 / PD1TS1-10,11,12 45'
8	46-320586P1	2	LADDER	1	ALL ALUMINUM LADDER
9	46-255947G508	2	GROUND WIRE	1	(038M) MR1-A7-GND TO PD1-A2-A2
19	46-265504G1	N	RF CABLE KIT	1	RF CABINET SERVICE LOOP CABLE KIT (SEE PAGE 1-229)
21	46-317598G20	N	XMIT COLL	1	1.5T FIXED SITE HELIAX & CONNECTORS (SEE PAGE 1-230)
36	46-317636G1	N	SUPPORT KIT	1	CRYO MONITOR SUPPORT BRACKET KIT (SEE PAGE 1-179)
52	46-317249G26	N	CABLES F.O.	1	LX SGD T/R FIBER OPTIC SYSTEM CABLES (SEE PAGE 1-239)
60	46-320801G2	2	1.5T 5.5 M/C	1	5.5 KIT TO LOCATE SELECT RELAY (SEE PAGE 1-233)
70	2120963-4	N	GRAD CBL KIT	1	100 FT CABLES, RUNS 762, 763, 764 (SEE PAGE 1-235)
71	2133830	N	HE-1 CABINET	1	HEAT EXCHANGER CABINET, HE-1 (SEE PAGE 1-217)
72	2128542	N	HOSE KIT	1	2 RUBBER HOSE WITH 8 CLAMPS IN A BOX (SEE PAGE 1-217)

8.x SGD 1.5T MOB w/ OR w/o MC 46-282429G38 FRU N (PART OF M1050PR PAGE 1-24)
 (PART OF M1051PR PAGE 1-25)
 (PART OF M1052PR PAGE 1-32)
 (PART OF M1053PR PAGE 1-33)

Item	Part Number	FRU	Name	Quantity	Description (Remarks)
5	46-258771G39	N	ASSEMBLY	1	LX MOBILE WITH OR W/O MULTICOIL (SEE PAGE 1-204)
6	46-258790G32	N	PDU CABLES	1	LX SGD PDU CABLES TRUE MOBILE (SEE PAGE 1-221)
7	46-271364G804	2	CABLE ASM	1	(009) MR1-J1 TO PD1-A2 (CB17)
8	46-320586P1	2	LADDER	1	ALL ALUMINUM LADDER
9	46-255947G608	2	GROUND WIRE	1	(038) MR1-A7-GND TO PD1-A2-A2 36 FT
19	46-265504G1	N	RF CABLE KIT	1	RF CABINET SERVICE LOOP CABLE KIT (SEE PAGE 1-229)
21	46-317598G24	N	XMIT COLL	1	TRUE MOBILE RF CABLES & ADAPTERS (SEE PAGE 1-230)
36	46-317636G1	N	SUPPORT KIT	1	CRYO MONITOR SUPPORT BRACKET KIT (SEE PAGE 1-179)
52	46-317249G27	N	CABLES F.O.	1	LX SGD TRUE MOB FIBER OPTIC SYS CBL (SEE PAGE 1-240)
60	46-320801G2	2	1.5T 5.5 M/C	1	5.5 KIT TO LOCATE SELECT RELAY (SEE PAGE 1-233)
70	2120963-5	N	GRAD CBL KIT	1	GRADIENT CABLE KIT FOR MOBILES (SEE PAGE 1-235)
71	2133830	N	HE-1 CABINET	1	HEAT EXCHANGER CABINET, HE-1 (SEE PAGE 1-217)
72	2128542	N	HOSE KIT	1	2 RUBBER HOSE WITH 8 CLAMPS IN A BOX (SEE PAGE 1-217)

1.5T SGD FIXED LONG CABLES 46-282429G50 FRU N (PART OF M1043PT PAGE 1-43)

Item	Part Number	FRU	Name	Quantity	Description (Remarks)
1	46-258771G351	N	SYSTEM CABLE	1	SOI FIXED SITE WITH OR W/O MULTICOIL (SEE PAGE 1-216)
5	46-258771G350	N	SYSTEM CABLE	1	SOI FIXED SITE WITH OR W/O MULTICOIL (SEE PAGE 1-215)
6	46-258790G500	N	PDU CABLES	1	SOI PDU CABLES (SEE PAGE 1-226)
7	46-271364G504	2	CABLE ASM	1	(009M) MR1-J1 TO PD1-A2 35 FT
9	46-255947G608	2	GROUND WIRE	1	(038) MR1-A7-GND TO PD1-A2-A2 36 FT
21	46-317598G23	N	XMIT COLL	1	1.5T FIXED SITE HELIAX & CONNECTORS (SEE PAGE 1-230)
41	46-317126G3	N	COVER KIT	1	UFI PENETRATION PANEL COVER KIT (SEE SECTION 4)
52	46-317249G250	N	CABLES F.O.	1	SOI FIBER OPTIC SYSTEM CABLES (SEE PAGE 1-241)
53	2105371	N	RF CABLE SET	1	RF CAB FLEXIBLE EXTENSION CABLES (SEE PAGE 1-229)
70	2120963-4	N	GRAD CBL KIT	1	100 FT CABLES, RUNS 762, 763, 764 (SEE PAGE 1-235)
72	2128542	N	HOSE KIT	1	2 RUBBER HOSE WITH 8 CLAMPS IN A BOX (SEE PAGE 1-217)

1.0T SGD FIXED LONG CABLES 46-282429G51 FRU N (PART OF M1843PT PAGE 1-47)

Item	Part Number	FRU	Name	Quantity	Description (Remarks)
1	46-258771G351	N	SYSTEM CABLE	1	SOI FIXED SITE WITH OR W/O MULTICOILL (SEE PAGE 1-216)
5	46-258771G350	N	SYSTEM CABLE	1	SOI FIXED SITE WITH OR W/O MULTICOIL (SEE PAGE 1-215)
6	46-258790G500	N	PDU CABLES	1	SOI PDU CABLES (SEE PAGE 1-226)
21	2209235	N	CABLE COLL	1	RF CABLES AND ADAPTERS (SEE PAGE 1-228)
41	46-317126G3	N	COVER KIT	1	UFI PENETRATION PANEL COVER KIT (SEE SECTION 4)
52	46-317249G250	N	CABLES F.O.	1	SOI FIBER OPTIC SYSTEM CABLES (SEE PAGE 1-241)
70	2120963-4	N	GRAD CBL KIT	1	100 FT CABLES, RUNS 762, 763, 764 (SEE PAGE 1-235)
72	2128542	N	HOSE KIT	1	2 RUBBER HOSE WITH 8 CLAMPS IN A BOX (SEE PAGE 1-217)

5.x 1.0T FIXED w/o MC 46-282429G63 FRU N (PART OF M1800PM PAGE 1-6)

Item	Part Number	FRU	Name	Quantity	Description (Remarks)
5	46-258771G32	N	SYSTEM CABLE	1	UFI FIXED SITE WITHOUT MULTICOIL (SEE PAGE 1-199)
6	46-258790G24	N	PDU CABLES	1	UFI PDU CABLES, FIXED (SEE PAGE 1-218)
21	46-317598G60	N	XMIT COLL	1	FIXED-SITE RF CABLES & ADAPTERS (SEE PAGE 1-232)
41	46-317126G3	N	COVER KIT	1	UFI PENETRATION PANEL COVER KIT (SEE SECTION 4)
52	46-317249G15	N	FO CABLE KIT	1	UFI FIXED SITE FIBER OPTIC SYS CABLE (SEE PAGE 1-237)
60	2105371	N	RF CABLE SET	1	RF CABINET FLEXIBLE EXTENSION CABLES (SEE PAGE 1-229)
70	2120963	N	GRAD CBL KIT	1	100 FT CABLES, RUNS 762, 763, 764 (SEE PAGE 1-234)
71	2133830	N	HE-1 CABINET	1	HEAT EXCHANGER CABINET, HE-1 (SEE PAGE 1-217)
72	2128542	N	HOSE KIT	1	2 RUBBER HOSE WITH 8 CLAMPS IN A BOX (SEE PAGE 1-217)

5.x 1.0T T/R w/o MC 46-282429G64 FRU N (PART OF M1820PM PAGE 1-9)

Item	Part Number	FRU	Name	Quantity	Description (Remarks)
5	46-258771G27	N	SYSTEM CABLE	1	UFI T/R SITE W/O MULTICOIL (SEE PAGE 1-194)
6	46-258790G25	N	PDU CABLES	1	UFI 1.0T PDU CABLES T/R (SEE PAGE 1-218)
19	46-265504G1	N	RF CABLE KIT	1	RF CABINET SERVICE LOOP CABLE KIT (SEE PAGE 1-229)
21	46-317598G61	N	XMIT COLL	1	TRANS/RELOC RF CABLES & ADAPTERS (SEE PAGE 1-232)
36	46-317636G1	N	SUPPORT KIT	1	CRYOGEN MONITOR SUPPORT BRACKET KIT (SEE PG 1-179)
52	46-317249G17	N	CABLES F.O.	1	UFI T/R FIBER OPTIC SYSTEM CABLES (SEE PAGE 1-237)
70	2120963	N	GRAD CBL KIT	1	100 FT CABLES, RUNS 762, 763, 764 (SEE PAGE 1-234)
71	2133830	N	HE-1 CABINET	1	HEAT EXCHANGER CABINET, HE-1 (SEE PAGE 1-217)
72	2128542	N	HOSE KIT	1	2 RUBBER HOSE WITH 8 CLAMPS IN A BOX (SEE PAGE 1-217)

5.x 1.0T MOBILE w/o MC 46-282429G65 FRU N (PART OF M1810PM PAGE 1-9)

Item	Part Number	FRU	Name	Quantity	Description (Remarks)
5	46-258771G30	N	SYS CABLES	1	UFI MOBILE WITHOUT MULTICOIL (SEE PAGE 1-197)
6	46-258790G65	N	PDU CABLES	1	UFI 1.0T TRUE MOBILE POWER/GROUND (SEE PAGE 1-224)
8	46-320586P1	2	LADDER	1	ALL ALUMINUM LADDER
19	46-265504G1	N	RF CABLE KIT	1	RF CABINET SERVICE LOOP CABLE KIT (SEE PAGE 1-229)
21	46-317598G63	N	XMIT COLL	1	TRUE MOBILE RF CABLES & ADAPTERS (SEE PAGE 1-232)
36	46-317636G1	N	SUPPORT KIT	1	CRYOGEN MONITOR SUPPORT BRACKET KIT (SEE PG 1-179)
52	46-317249G16	N	CABLES F.O.	1	TRUE MOBILE FIBER OPTIC SYSTEM CABLE (SEE PAGE 1-237)
71	2133830	N	HE-1 CABINET	1	HEAT EXCHANGER CABINET, HE-1 (SEE PAGE 1-217)
72	2128542	N	HOSE KIT	1	2 RUBBER HOSE WITH 8 CLAMPS IN A BOX (SEE PAGE 1-217)

8.x 1.0T T/R w/ OR w/o MC 46-282429G70 FRU N (PART OF M1820PN PAGE 1-15)
 (PART OF M1821PN PAGE 1-15)
 (PART OF M1860PN PAGE 1-31)
 (PART OF M1861PN PAGE 1-31)

Item	Part Number	FRU	Name	Quantity	Description (Remarks)
5	46-258771G36	N	ASSEMBLY	1	LX 1.5T T/R WITH OR W/O MULTICOIL (SEE PAGE 1-202)
6	46-258790G28	N	ASSEMBLY	1	LX PDU CABLES T/R (SEE PAGE 1-220)
19	46-265504G1	N	RF CABLE KIT	1	RF CABINET SERVICE LOOP CABLE KIT (SEE PAGE 1-229)
21	46-317598G61	N	XMIT COLL	1	TRANS/RELOC RF CABLES & ADAPTERS (SEE PAGE 1-232)
36	46-317636G1	N	SUPPORT KIT	1	CRYOGEN MONITOR SUPPORT BRACKET KIT (SEE PG 1-179)
60	46-320801G2	2	1.5T 5.5 M/C	1	5.5 KIT TO LOCATE SELECT RELAY (SEE PAGE 1-233)
70	2120963	N	GRAD CBL KIT	1	100 FT CABLES, RUNS 762, 763, 764 (SEE PAGE 1-234)
71	2133830	N	HE-1 CABINET	1	HEAT EXCHANGER CABINET, HE-1 (SEE PAGE 1-217)
72	2128542	N	HOSE KIT	1	2 RUBBER HOSE WITH 8 CLAMPS IN A BOX (SEE PAGE 1-217)

8.x 1.0T MOB w/ OR w/o MC 46-282429G71 FRU N (PART OF M1811PN PAGE 1-15)
 (PART OF M1850PN PAGE 1-30)
 (PART OF M1851PN PAGE 1-31)

Item	Part Number	FRU	Name	Quantity	Description (Remarks)
5	46-258771G38	N	ASSEMBLY	1	LX MOBILE WITH OR W/O MULTICOIL (SEE PAGE 1-203)
6	46-258790G29	N	ASSEMBLY	1	LX TRUE MOBILE POWER/GROUND CABLES (SEE PG 1-220)
8	46-320586P1	2	LADDER	1	ALL ALUMINUM LADDER
19	46-265504G1	N	RF CABLE KIT	1	RF CABINET SERVICE LOOP CABLE KIT (SEE PAGE 1-229)
21	46-317598G61	N	XMIT COLL	1	TRANS/RELOC RF CABLES & ADAPTERS (SEE PAGE 1-232)
36	46-317636G1	N	SUPPORT KIT	1	CRYOGEN MONITOR SUPPORT BRACKET KIT (SEE PG 1-179)
60	46-320801G2	2	1.5T 5.5 M/C	1	5.5 KIT TO LOCATE SELECT RELAY (SEE PAGE 1-233)
70	2120963-3	N	KIT OF PARTS	1	GRADIENT CABLE KIT FOR MOBILES (SEE PAGE 1-235)
71	2133830	N	HE-1 CABINET	1	HEAT EXCHANGER CABINET, HE-1 (SEE PAGE 1-217)
72	2128542	N	HOSE KIT	1	2 RUBBER HOSE WITH 8 CLAMPS IN A BOX (SEE PAGE 1-217)

8.x 1.0T SGD FXD w/ OR w/o MC 46-282429G72 FRU N (PART OF M1800PR PAGE 1-19)
 (PART OF M1801PR PAGE 1-20)
 (PART OF M1840PR PAGE 1-30)
 (PART OF M1841PR PAGE 1-30)

Item	Part Number	FRU	Name	Quantity	Description (Remarks)
5	46-258771G35	2	ASSEMBLY	1	LX FIXED SITE WITH OR W/O MULTICOIL (SEE PAGE 1-201)
6	46-258790G30	2	PDU CABLES	1	LX SGD PDU CABLES, FIXED (SEE PAGE 1-221)
21	46-317598G60	N	XMIT COLL	1	FIXED-SITE RF CABLES & ADAPTERS (SEE PAGE 1-232)
41	46-317126G3	N	COVER KIT	1	UFI PENETRATION PANEL COVER KIT (SEE SECTION 4)
52	46-317249G25	N	CABLES F.O.	1	LX SGD FIXED SITE FIBEROPTIC SYS CBL (SEE PAGE 1-239)
53	2105371	N	RF CABLE SET	1	RF CABINET FLEXIBLE EXTENSION CABLES (SEE PG 1-229)
70	2120963-4	N	GRAD CBL KIT	1	100 FT CABLES, RUNS 762, 763, 764 (SEE PAGE 1-235)
71	2133830	N	HE-1 CABINET	1	HEAT EXCHANGER CABINET, HE-1 (SEE PAGE 1-217)
72	2128542	N	HOSE KIT	1	2 RUBBER HOSE WITH 8 CLAMPS IN A BOX (SEE PAGE 1-217)

8.x SGD 1.0T T/R w/ OR w/o MC 46-282429G73 FRU N (PART OF M1820PR PAGE 1-20)
 (PART OF M1821PR PAGE 1-20)
 (PART OF M1860PR PAGE 1-31)
 (PART OF M1861PR PAGE 1-31)

Item	Part Number	FRU	Name	Quantity	Description (Remarks)
5	46-258771G36	N	ASSEMBLY	1	LX 1.5T T/R WITH OR W/O MULTICOIL (SEE PAGE 1-202)
6	46-258790G31	N	PDU CABLES	1	LX SGD PDU CABLES T/R (SEE PAGE 1-221)
19	46-265504G1	N	RF CABLE KIT	1	RF CABINET SERVICE LOOP CABLE KIT (SEE PAGE 1-229)
21	46-317598G61	N	XMIT COLL	1	TRANS/RELOC RF CABLES & ADAPTERS (SEE PAGE 1-232)
36	46-317636G1	N	SUPPORT KIT	1	CRYOGEN MONITOR SUPPORT BRACKET KIT (SEE PG 1-179)
52	46-317249G26	N	CABLES F.O.	1	LX SGD T/R FIBER OPTIC SYSTEM CABLES (SEE PAGE 1-239)
60	46-320801G2	2	1.5T 5.5 M/C	1	5.5 KIT TO LOCATE SELECT RELAY IN (SEE PAGE 1-233)
70	2120963-4	N	GRAD CBL KIT	1	100 FT CABLES, RUNS 762, 763, 764 (SEE PAGE 1-235)
71	2133830	N	HE-1 CABINET	1	HEAT EXCHANGER CABINET, HE-1 (SEE PAGE 1-217)
72	2128542	N	HOSE KIT	1	2 RUBBER HOSE WITH 8 CLAMPS IN A BOX (SEE PAGE 1-217)

8.x SGD 1.0T MOB w/ OR w/o MC 46-282429G74 FRU N (PART OF M1810PR PAGE 1-20)
 (PART OF M1811PR PAGE 1-20)
 (PART OF M1850PR PAGE 1-30)
 (PART OF M1851PR PAGE 1-31)

Item	Part Number	FRU	Name	Quantity	Description (Remarks)
5	46-258771G38	N	ASSEMBLY	1	LX MOBILE WITH OR W/O MULTICOIL (SEE PAGE 1-203)
6	46-258790G32	N	PDU CABLES	1	LX SGD PDU CABLES TRUE MOBILE (SEE PAGE 1-221)
8	46-320586P1	N	LADDER	1	ALL ALUMINUM LADDER
19	46-265504G1	N	RF CABLE KIT	1	RF CABINET SERVICE LOOP CABLE KIT (SEE PAGE 1-229)
21	46-317598G61	N	XMIT COLL	1	TRANS/RELOC RF CABLES & ADAPTERS (SEE PAGE 1-232)
36	46-317636G1	N	SUPPORT KIT	1	CRYOGEN MONITOR SUPPORT BRACKET KIT (SEE PG 1-179)
52	46-317249G27	N	CABLES F.O.	1	LX SGD TRUE MOB FIBER OPTIC SYS CBL (SEE PAGE 1-240)
60	46-320801G2	2	1.5T 5.5 M/C	1	5.5 KIT TO LOCATE SELECT RELAY IN (SEE PAGE 1-233)
70	2120963-5	N	GRAD CBL KIT	1	GRADIENT CABLE KIT FOR MOBILES (SEE PAGE 1-235)
71	2133830	N	HE-1 CABINET	1	HEAT EXCHANGER CABINET, HE-1 (SEE PAGE 1-217)
72	2128542	N	HOSE KIT	1	2 RUBBER HOSE WITH 8 CLAMPS IN A BOX (SEE PAGE 1-217)
80	2212408	2	KIT OF PARTS	1	CX MOBILE - COLDHEAD TRANSPORT KIT

8.x 1.0T SGD/LCC FXD CABLES 46-282429G75 FRU N (PART OF M1842PR PAGE 1-38)
 (PART OF M1843PR PAGE 1-38)

Item	Part Number	FRU	Name	Quantity	Description (Remarks)
5	46-258771G35	2	ASSEMBLY	1	LX FIXED SITE WITH OR W/O MULTICOIL (SEE PAGE 1-201)
6	46-258790G30	2	PDU CABLES	1	LX SGD PDU CABLES, FIXED (SEE PAGE 1-221)
21	2209235	N	CABLE COLL	1	RF CABLES AND ADAPTERS (SEE PAGE 1-228)
41	46-317126G3	N	COVER KIT	1	UFI PENETRATION PANEL COVER KIT(SEE SECTION 4)
52	46-317249G25	N	CABLES F.O.	1	LX SGD FIXED SITE FIBEROPTIC SYS CBL (SEE PAGE 1-239)
70	2120963-4	N	GRAD CBL KIT	1	100 FT CABLES, RUNS 762, 763, 764 (SEE PAGE 1-235)
71	2133830	N	HE-1 CABINET	1	HEAT EXCHANGER CABINET, HE-1 (SEE PAGE 1-217)
72	2128542	N	HOSE KIT	1	2 RUBBER HOSE WITH 8 CLAMPS IN A BOX (SEE PAGE 1-217)

8.x 1.0T SGD/LCC MOB CABLES 46-282429G76 FRU N

(PART OF M1852PR PAGE 1-38)

(PART OF M1853PR PAGE 1-38)

Item	Part Number	FRU	Name	Quantity	Description (Remarks)
5	46-258771G39	N	ASSEMBLY	1	LX MOBILE WITH OR W/O MULTICOIL (SEE PAGE 1-204)
6	46-258790G32	N	PDU CABLES	1	LX SGD PDU CABLES TRUE MOBILE (SEE PAGE 1-221)
8	46-320586P1	N	LADDER	1	ALL ALUMINUM LADDER
19	46-265504G1	N	RF CABLE KIT	1	RF CABINET SERVICE LOOP CABLE KIT (SEE PAGE 1-229)
21	2209235	N	CABLE COLL	1	RF CABLES AND ADAPTERS (SEE PAGE 1-228)
36	46-317636G1	N	SUPPORT KIT	1	CRYOGEN MONITOR SUPPORT BRACKET KIT (SEE PG 1-179)
52	46-317249G27	N	CABLES F.O.	1	LX SGD TRUE MOB FIBER OPTIC SYS CBL (SEE PAGE 1-240)
60	46-320801G2	2	1.5T 5.5 M/C	1	5.5 KIT TO LOCATE SELECT RELAY IN (SEE PAGE 1-233)
70	2120963-5	N	GRAD CBL KIT	1	GRADIENT CABLE KIT FOR MOBILES (SEE PAGE 1-235)
71	2133830	N	HE-1 CABINET	1	HEAT EXCHANGER CABINET, HE-1 (SEE PAGE 1-217)
72	2128542	N	HOSE KIT	1	2 RUBBER HOSE WITH 8 CLAMPS IN A BOX (SEE PAGE 1-217)
80	2212408	2	KIT OF PARTS	1	CX MOBILE - COLDHEAD TRANSPORT KIT

8.x 1.0T SGD/LCC T/R CABLES 46-282429G77 FRU N

(PART OF M1862PR PAGE 1-38)

(PART OF M1863PR PAGE 1-38)

Item	Part Number	FRU	Name	Quantity	Description (Remarks)
5	46-258771G36	N	ASSEMBLY	1	LX 1.5T T/R WITH OR W/O MULTICOIL (SEE PAGE 1-202)
6	46-258790G31	N	PDU CABLES	1	LX SGD PDU CABLES T/R (SEE PAGE 1-221)
19	46-265504G1	N	RF CABLE KIT	1	RF CABINET SERVICE LOOP CABLE KIT (SEE PAGE 1-229)
21	2209235	N	CABLE COLL	1	RF CABLES AND ADAPTERS (SEE PAGE 1-228)
36	46-317636G1	N	SUPPORT KIT	1	CRYOGEN MONITOR SUPPORT BRACKET KIT (SEE PG 1-179)
52	46-317249G26	N	CABLES F.O.	1	LX SGD T/R FIBER OPTIC SYSTEM CABLES (SEE PAGE 1-239)
60	46-320801G2	2	1.5T 5.5 M/C	1	5.5 KIT TO LOCATE SELECT RELAY IN (SEE PAGE 1-233)
70	2120963-4	N	GRAD CBL KIT	1	100 FT CABLES, RUNS 762, 763, 764 (SEE PAGE 1-235)
71	2133830	N	HE-1 CABINET	1	HEAT EXCHANGER CABINET, HE-1 (SEE PAGE 1-217)
72	2128542	N	HOSE KIT	1	2 RUBBER HOSE WITH 8 CLAMPS IN A BOX (SEE PAGE 1-217)

1.0T WideOpen SGD FXD CABLES 46-282429G80 FRU N

(PART OF M1842PS PAGE 1-47)

(PART OF M1843PS PAGE 1-47)

Item	Part Number	FRU	Name	Quantity	Description (Remarks)
5	46-258771G35	2	ASSEMBLY	1	LX FIXED SITE WITH OR W/O MULTICOIL (SEE PAGE 1-201)
6	46-258790G50	2	PDU CABLES	1	LX SGD PDU CABLES, FIXED (SEE PAGE 1-224)
21	2209235	N	CABLE COLL	1	RF CABLES AND ADAPTERS (SEE PAGE 1-228)
41	46-317126G3	N	COVER KIT	1	UFI PENETRATION PANEL COVER KIT (SEE SECTION 4)
52	46-317249G25	N	CABLES F.O.	1	LX SGD FIXED SITE FIBEROPTIC SYS CBL (SEE PAGE 1-239)
70	2120963-4	N	GRAD CBL KIT	1	100 FT CABLES, RUNS 762, 763, 764 (SEE PAGE 1-235)
72	2128542	N	HOSE KIT	1	2 RUBBER HOSE WITH 8 CLAMPS IN A BOX (SEE PAGE 1-217)

1.0T WideOpen SGD MOB CABLES 46-282429G81 FRU N

(PART OF M1852PS PAGE 1-48)

(PART OF M1853PS PAGE 1-48)

Item	Part Number	FRU	Name	Quantity	Description (Remarks)
5	46-258771G39	N	ASSEMBLY	1	LX MOBILE WITH OR W/O MULTICOIL (SEE PAGE 1-204)
6	46-258790G32	2	PDU CABLES	1	LX SGD PDU CABLES, TRUE MOBILE (SEE PAGE 1-221)
19	46-265504G1	N	RF CABLE KIT	1	RF CABINET SERVICE LOOP CABLE KIT (SEE PAGE 1-229)
21	2209235	N	CABLE COLL	1	RF CABLES AND ADAPTERS (SEE PAGE 1-228)
36	46-317636G1	N	SUPPORT KIT	1	CRYOGEN MONITOR SUPPORT BRACKET KIT (SEE PG 1-179)
41	46-317126G4	N	COVER KIT	1	MOBILE-SITE PENETRATION PANEL COVER (SEE SECTION 4)
45	46-317266G4	2	AMP HOIST	1	SGD AMPLIFIER HOIST KIT (SEE PAGE 1-217)
52	46-317249G27	N	CABLES F.O.	1	LX SGD TRUE MOB FIBER OPTIC SYS CBL (SEE PAGE 1-240)
60	46-320801G2	2	1.5T 5.5 M/C	1	5.5 KIT TO LOCATE SELECT RELAY (SEE PAGE 1-233)
70	2120963-5	N	GRAD CBL KIT	1	GRADIENT CABLE KIT FOR MOBILES (SEE PAGE 1-235)
72	2128542	N	HOSE KIT	1	2 RUBBER HOSE WITH 8 CLAMPS IN A BOX (SEE PAGE 1-217)

1.0T WideOpen SGD T/R CABLES 46-282429G82 FRU N

(PART OF M1862PS PAGE 1-48)

(PART OF M1863PS PAGE 1-48)

Item	Part Number	FRU	Name	Quantity	Description (Remarks)
5	46-258771G36	N	ASSEMBLY	1	LX 1.5T T/R WITH OR W/O MULTICOIL (SEE PAGE 1-202)
6	46-258790G31	N	PDU CABLES	1	LX SGD PDU CABLES, T/R (SEE PAGE 1-221)
10	2233092	N	CABLE KIT	1	MAGNET MONITOR CABLE SET (SEE PAGE 1-176)
19	46-265504G1	N	RF CABLE KIT	1	RF CABINET SERVICE LOOP CABLE KIT (SEE PAGE 1-229)
21	2209235	N	CABLE COLL	1	RF CABLES AND ADAPTERS (SEE PAGE 1-228)
36	46-317636G1	N	SUPPORT KIT	1	CRYOGEN MONITOR SUPPORT BRACKET KIT (SEE PG 1-179)
41	46-317126G4	N	COVER KIT	1	MOBILE-SITE PENETRATION PANEL COVER (SEE SECTION 4)
45	46-317266G4	2	AMP HOIST	1	SGD AMPLIFIER HOIST KIT (SEE PAGE 1-217)
52	46-317249G26	N	CABLES F.O.	1	LX SGD T/R FIBER OPTIC SYSTEM CABLES (SEE PAGE 1-239)
60	46-320801G2	2	1.5T 5.5 M/C	1	5.5 KIT TO LOCATE SELECT RELAY IN (SEE PAGE 1-233)
70	2120963-4	N	GRAD CBL KIT	1	100 FT CABLES, RUNS 762, 763, 764 (SEE PAGE 1-235)
72	2128542	N	HOSE KIT	1	2 RUBBER HOSE WITH 8 CLAMPS IN A BOX (SEE PAGE 1-217)

1.5T WideOpen SGD FXD CABLES 46-282429G83 FRU N

(PART OF M1042PS PAGE 1-43)
 (PART OF M1043PS PAGE 1-43)
 (PART OF M1073PS PAGE 1-44)

Item	Part Number	FRU	Name	Quantity	Description (Remarks)
5	46-258771G35	2	ASSEMBLY	1	LX FIXED SITE WITH OR W/O MULTICOIL (SEE PAGE 1-201)
6	46-258790G50	N	PDU CABLES	1	LX SGD PDU CABLES, FIXED (SEE PAGE 1-224)
7	46-271364G504	2	CABLE ASM	1	(009M) MR1-J1 TO PD1-A2 35 FT
9	46-255947G608	2	GROUND WIRE	1	(038) MR1-A7-GND TO PD1-A2-A2 36 FT
21	46-317598G23	N	XMIT COLL	1	1.5T FIXED SITE HELIAX & CONNECTORS (SEE PAGE 1-230)
41	46-317126G3	N	COVER KIT	1	UFI PENETRATION PANEL COVER KIT (SEE SECTION 4)
52	46-317249G25	2	CABLES F.O.	1	LX SGD FIXED SITE FIBEROPTIC SYS CBL (SEE PAGE 1-239)
53	2105371	N	RF CABLE SET	1	RF CABINET FLEXIBLE EXTENSION CABLES (SEE PAGE 1-229)
70	2120963-4	N	GRAD CBL KIT	1	100 FT CABLES, RUNS 762, 763, 764 (SEE PAGE 1-235)
72	2128542	N	HOSE KIT	1	2 RUBBER HOSE WITH 8 CLAMPS IN A BOX (SEE PAGE 1-217)

1.5T WideOpen SGD T/R CABLES 46-282429G84 FRU N

(PART OF M1062PS PAGE 1-44)
 (PART OF M1063PS PAGE 1-44)
 (PART OF M1093PS PAGE 1-44)

Item	Part Number	FRU	Name	Quantity	Description (Remarks)
5	46-258771G36	N	ASSEMBLY	1	LX 1.5T T/R WITH OR W/O MULTICOIL (SEE PAGE 1-202)
6	46-258790G31	N	PDU CABLES	1	LX SGD PDU CABLES, T/R (SEE PAGE 1-221)
7	46-271364G104	2	CABLE ASM	1	RUN 009, MR1J1 / PD1TS1-10,11,12 45'
9	46-255947G508	2	GROUND WIRE	1	(038M) MR1-A7-GND TO PD1-A2-A2
10	2233092	N	CABLE KIT	1	MAGNET MONITOR CABLE SET (SEE PAGE 1-176)
19	46-265504G1	N	RF CABLE KIT	1	RF CABINET SERVICE LOOP CABLE KIT (SEE PAGE 1-229)
21	46-317598G20	N	XMIT COLL	1	1.5T FIXED SITE HELIAX & CONNECTORS (SEE PAGE 1-230)
36	46-317636G1	N	SUPPORT KIT	1	CRYOGEN MONITOR SUPPORT BRACKET KIT (SEE PG 1-179)
41	46-317126G4	N	COVER KIT	1	MOBILE-SITE PENETRATION PANEL COVER (SEE SECTION 4)
45	46-317266G4	2	AMP HOIST	1	SGD AMPLIFIER HOIST KIT (SEE PAGE 1-217)
52	46-317249G26	N	CABLES F.O.	1	LX SGD T/R FIBER OPTIC SYSTEM CABLES (SEE PAGE 1-239)
60	46-320801G2	2	1.5T 5.5 M/C	1	5.5 KIT TO LOCATE SELECT RELAY (SEE PAGE 1-233)
70	2120963-4	N	GRAD CBL KIT	1	100 FT CABLES, RUNS 762, 763, 764 (SEE PAGE 1-235)
72	2128542	N	HOSE KIT	1	2 RUBBER HOSE WITH 8 CLAMPS IN A BOX (SEE PAGE 1-217)

1.5T WideOpen SGD MOB CABLES 46-282429G85 FRU N

(PART OF M1052PS PAGE 1-43)
 (PART OF M1053PS PAGE 1-43)

Item	Part Number	FRU	Name	Quantity	Description (Remarks)
5	46-258771G39	N	ASSEMBLY	1	LX MOBILE WITH OR W/O MULTICOIL (SEE PAGE 1-204)
6	46-258790G32	N	PDU CABLES	1	LX SGD PDU CABLES, MOBILE (SEE PAGE 1-221)
7	46-271364G804	2	CABLE ASM	1	(009) MR1-J1 TO PD1-A2
9	46-255947G608	2	GROUND WIRE	1	(038) MR1-A7-GND TO PD1-A2-A2 36 FT
19	46-265504G1	N	RF CABLE KIT	1	RF CABINET SERVICE LOOP CABLE KIT (SEE PAGE 1-229)
21	46-317598G24	N	XMIT COLL	1	TRUE MOBILE RF CABLES & ADAPTERS (SEE PAGE 1-230)
36	46-317636G1	N	SUPPORT KIT	1	CRYOGEN MONITOR SUPPORT BRACKET KIT (SEE PG 1-179)
41	46-317126G4	N	COVER KIT	1	MOBILE-SITE PENETRATION PANEL COVER (SEE SECTION 4)
45	46-317266G4	2	AMP HOIST	1	SGD AMPLIFIER HOIST KIT (SEE PAGE 1-217)
52	46-317249G27	N	CABLES F.O.	1	LX SGD TRUE MOB FIBER OPTIC SYS CBL (SEE PAGE 1-240)
60	46-320801G2	2	1.5T 5.5 M/C	1	5.5 KIT TO LOCATE SELECT RELAY IN (SEE PAGE 1-233)
70	2120963-5	N	GRAD CBL KIT	1	GRADIENT CABLE KIT FOR MOBILES (SEE PAGE 1-235)
72	2128542	N	HOSE KIT	1	2 RUBBER HOSE WITH 8 CLAMPS IN A BOX (SEE PAGE 1-217)

1.5T ACGD LONG CABLES 46-282429G88 FRU N (PART OF M3044PA PAGE 1-52)

Item	Part Number	FRU	Name	Quantity	Description (Remarks)
1	46-258771G351	N	SYSTEM CABLE	1	SOI FIXED SITE WITH OR W/O MULTICOIL (SEE PAGE 1-216)
5	46-258771G350	N	SYSTEM CABLE	1	SOI FIXED SITE WITH OR W/O MULTICOIL (SEE PAGE 1-215)
41	46-317126G3	N	COVER KIT	1	UFI PENETRATION PANEL COVER KIT (SEE SECTION 4)
52	46-317249G250	N	CABLES F.O.	1	SOI FIBER OPTIC SYSTEM CABLES (SEE PAGE 1-241)
70	2120963-4	N	GRAD CBL KIT	1	100 FT CABLES, RUNS 762, 763, 764 (SEE PAGE 1-235)
72	2128542	N	HOSE KIT	1	2 RUBBER HOSE WITH 8 CLAMPS IN A BOX (SEE PAGE 1-217)
73	2321158	N	COLLECTOR	1	RF CABLE COLLECTOR (SEE PAGE 1-191)
74	2322679	N	COLLECTOR	1	LONG CABLE COLLECTOR (SEE PAGE 1-191)

RF CABLE COLLECTOR 2321158 FRU N (PART 73 OF 46-282429G88 PAGE 1-191)

Item	Part Number	FRU	Name	Quantity	Description (Remarks)
21	46-317598G23	N	XMIT COLL	1	1.5T FIXED SITE HELIAX & CONNECTORS (SEE PAGE 1-230)
53	2105371	N	RF CABLE SET	1	RF CAB FLEXIBLE EXTENSION CABLES (SEE PAGE 1-229)

LONG CABLE COLLECTOR 2322679 FRU N (PART 74 OF 46-282429G88 PAGE 1-191)

Item	Part Number	FRU	Name	Quantity	Description (Remarks)
6	46-258790G501	N	PDU CABLES	1	SOI PDU CABLES (SEE PAGE 1-226)
7	46-271364G504	N	CABLE ASM	1	(009M) MR1-J1 TO PD1-A2 35 FT
9	46-255947G608	N	GROUND WIRE	1	(038) MR1-A7-GND TO PD1-A2-A2 36 FT

**1.0T ACGD MOBILE CABLES 46-282429G102 FRU N (PART OF M3852PA PAGE 1-58)
(PART OF M3862PA PAGE 1-58)**

Item	Part Number	FRU	Name	Quantity	Description (Remarks)
5A	46-258771G39	N	ASSEMBLY	1	LX MOBILE WITH OR W/O MULTICOIL (SEE PAGE 1-204)
5B	46-258771G49	N	CABLES	ALT	LX ACGD MOBILE WITH OR W/O MULTICOIL (SEE PAGE 1-207)
6	46-258790G34	N	PDU CABLES	1	LX ACGD PDU CABLES-MOBILE (SEE PAGE 1-222)
21	2209235	N	CABLE COLL	1	RF CABLES AND ADAPTERS (SEE PAGE 1-228)
41	46-317126G4	N	COVER KIT	1	MOBILE-SITE PENETRATION PANEL COVER (SEE SECTION 4)
50	2224384	N	ASSEMBLY	1	LCC CEILING TRACK (MOBILE)
52	46-317249G27	N	CABLES F.O.	1	LX SGD TRUE MOB FIBER OPTIC SYS CBL (SEE PAGE 1-240)
70	2120963-5	N	GRAD CBL KIT	1	GRADIENT CABLE KIT FOR MOBILES (SEE PAGE 1-235)
72	2128542	N	HOSE KIT	1	2 RUBBER HOSE WITH 8 CLAMPS IN A BOX (SEE PAGE 1-217)

**1.5T ACGD MOBILE CABLES 46-282429G103 FRU N (PART OF M3053PA PAGE 1-53)
(PART OF M3083PA PAGE 1-54)**

Item	Part Number	FRU	Name	Quantity	Description (Remarks)
5A	46-258771G39	N	ASSEMBLY	1	LX MOBILE WITH OR W/O MULTICOILL (SEE PAGE 1-204)
5B	46-258771G49	N	CABLES	ALT	LX ACGD MOBILE WITH OR W/O MULTICOIL (SEE PAGE 1-207)
6	46-258790G34	N	PDU CABLES	1	LX ACGD PDU CABLES-MOBILE (SEE PAGE 1-222)
21	46-317598G24	N	XMIT COLL	1	TRUE MOBILE RF CABLES & ADAPTERS (SEE PAGE 1-230)
41	46-317126G4	N	COVER KIT	1	MOBILE-SITE PENETRATION PANEL COVER (SEE SECTION 4)
50	2224384	N	ASSEMBLY	1	LCC CEILING TRACK (MOBILE)
52	46-317249G27	N	CABLES F.O.	1	LX SGD TRUE MOB FIBER OPTIC SYS CBL (SEE PAGE 1-240)
70	2120963-5	N	GRAD CBL KIT	1	GRADIENT CABLE KIT FOR MOBILES (SEE PAGE 1-235)
72	2128542	N	HOSE KIT	1	2 RUBBER HOSE WITH 8 CLAMPS IN A BOX (SEE PAGE 1-217)

5.x T/R CABLES w/o MC

46-258771G27 FRU N

(PART OF 46-282429G27 PAGE 1-180)

(PART OF 46-282429G64 PAGE 1-184)

Item	Part Number	FRU	Name	Quantity	Description (Remarks)
8	46-243775G807	2	CABLE	1	RUN 701, MR2-A11-J15 TO RF DOOR SW
27	46-243775G810	2	CABLE	1	RUN 702, MR2-A11-J18 TO MR1-A7-J5
28	46-301125G809	2	CABLE	1	(703T) MR2-A11-J23 TO PD1-A1-A2-J2
30	46-243775G98	2	CABLE	1	RUN 229, MR2-A11-J1 TO MR1-A7-J3
32	46-317359G100	2	CABLE	1	(231TR) MR2-A11-J2 TO PP1-J8
34	46-317359G102	2	CABLE	1	(233TR/499TR) MR2-A11-J5 TO PP1-A14-
57	46-317068G812	2	CABLE	1	(704V) PP1-J12 TO OC1-A10-J9
61	46-317068G315	2	CABLE	1	(260V/700V)MG2/MG3-A17-J2 TO PP1-J7/
63	46-258431G124	2	CABLE	1	(262M) PP1-J8 TO MG3-A3-A5-OUT
83	46-258431G481	2	CABLE	1	(282M) MG3-A2-J6 TO PP1-J12
97	46-271692G1	2	CABLE ASM	1	RUN 296, FACILITY DISCON. TO PP1-J18
98	46-271693G1	2	CABLE ASM	1	RUN 297, EMERGENCY OFF SW TO PP1-J18
119	46-317068G95	2	CABLE	1	(318V) MG3-A7 TO PP1-J11
159	46-317359G902	2	CABLE	1	(768TR) PP1-J20 TO MR1-A7-J31
161	46-317359G905	2	CABLE	1	(771TR) PP1-J47 TO MR1-A7-J36
162	46-258431G531	2	CABLE	1	(387M) PP1-J47 TO MG2-A29-J1
163	46-317359G904	2	CABLE	1	(770TR) PP1-J11 TO MR1-A7-J41
164	46-317359G903	2	CABLE	1	(769TR) PP1-J15 TO MR1-A7-J34
178	46-328000G908	2	CABLE	1	(774) MR2-A11-J25 TO MR1-A7-J32
192	46-301125G808	2	CABLE	1	(706T) PD1-A1-A3-J2 TO MR2-A11-J14
203	46-258431G916	2	CABLE ASM	1	(778M) MG2-A12-A13-J3 TO PP1-A11-J72
204	46-258431G917	2	CABLE ASM	1	(779M) MG2-A12-A13-J4 TO PP1-A11-J73
205	46-258431G918	2	CABLE ASM	1	(780M) MG3-A3-A1-J6 TO PP1-A11-J74
206	46-258431G919	2	CABLE ASM	1	(781M) MG2-A12-A12-J5 TO PP1-A11-J75
207	46-258431G920	2	CABLE ASM	1	(782M) MG2-A12-A12-J6 TO PP1-A11-J76
208	46-317086G533	2	CABLE	1	(801TR) OC1-A10-J10 TO CC1-A2-J2
209	46-317086G534	2	CABLE	1	(800TR)OC1-A10-J1 TO CC1-A2-J1 (MUX)
210	46-317086G535	2	CABLE	1	(804TR) OC1-A10-J3 TO CC1-A1-A1
211	46-317087G510	2	PLASMA CABLE	1	802TR OC1-A10-J12 - CC1-A1-A9-PLASMA
212	46-317088G510	2	CABLE	1	(803TR)OC1-A10-J13 TO CC1-A1-A10
213	46-301125G813	2	CABLE	1	(707T) MR2-A11-J26 TO OC1-A10-J8
214	46-301125G814	2	CABLE	1	(718T) MR2-A11-J29 TO OC1-A10-J4
228	46-301125G906	2	CABLE	1	(772T) PP1-J14 TO MR1-A7-J40
229	46-317068G822	2	CABLE	1	(715V) MG2-A33-J1 TO PP1-J14
230	46-301125G907	2	CABLE	1	(773T) PP1-A17-J1 TO MR1-A7-J35
231	46-317068G931	2	CABLE ASM	1	(716V) MG2-A11-A1-J2 TO PP1-J89
232	2123533-3	2	POWER CABLE	1	(783T) MR1-A7-J37 TO PP1-F5/F6, 80'
233	2123534	2	POWER CABLE	1	(784) PP1-F5/F6 TO MG6-J1, 25'
234	2123535-3	2	POWER CABLE	1	(785T) MR1-A7-J18 TO PP1-F7/F8, 80'
235	2123536	2	POWER CABLE	1	(786) PP1-F7/F8 TO MG6-J2, 25'
238	46-301125G913	2	CABLE	1	(777T) MR1-A7-J43 TO PP1-A11-J94
239	46-301125G914	2	CABLE	1	(776T) MR1-A7-J44 TO PP1-A11-J93
240	46-301125G915	2	CABLE	1	(775T) MR1-A7-J42 TO PP1-A11-J92
266	46-317086G36	2	CABLE	1	(787) MR2-A11-J30 TO CC1A1A1SERIAL-C

5.x 1.5T T/R CABLES w/MC 46-258771G29 FRU N (PART OF 46-282429G29 PAGE 1-181)

Item	Part Number	FRU	Name	Quantity	Description (Remarks)
8	46-243775G807	2	CABLE	1	RUN 701, MR2-A11-J15 TO RF DOOR SW
27	46-243775G810	2	CABLE	1	RUN 702, MR2-A11-J18 TO MR1-A7-J5
28	46-301125G809	2	CABLE	1	(703T) MR2-A11-J23 TO PD1-A1-A2-J2
30	46-243775G98	2	CABLE	1	RUN 229, MR2-A11-J1 TO MR1-A7-J3
32	46-317359G100	2	CABLE	1	(231TR) MR2-A11-J2 TO PP1-J8
57	46-317068G812	2	CABLE	1	(704V) PP1-J12 TO OC1-A10-J9
61	46-317068G315	2	CABLE	1	(260V/700V)MG2/MG3-A17-J2 TO PP1-J7/
63	46-258431G124	2	CABLE	1	(262M) PP1-J8 TO MG3-A3-A5-OUT
83	46-258431G481	2	CABLE	1	(282M) MG3-A2-J6 TO PP1-J12
97	46-271692G1	2	CABLE ASM	1	RUN 296, FACILITY DISCON. TO PP1-J18
98	46-271693G1	2	CABLE ASM	1	RUN 297, EMERGENCY OFF SW TO PP1-J18
119	46-317068G95	2	CABLE	1	(318V) MG3-A7 TO PP1-J11
159	46-317359G902	2	CABLE	1	(768TR) PP1-J20 TO MR1-A7-J31
161	46-317359G905	2	CABLE	1	(771TR) PP1-J47 TO MR1-A7-J36
162	46-258431G531	2	CABLE	1	(387M) PP1-J47 TO MG2-A29-J1
163	46-317359G904	2	CABLE	1	(770TR) PP1-J11 TO MR1-A7-J41
164	46-317359G903	2	CABLE	1	(769TR) PP1-J15 TO MR1-A7-J34
178	46-328000G908	2	CABLE	1	(774) MR2-A11-J25 TO MR1-A7-J32
192	46-301125G808	2	CABLE	1	(706T) PD1-A1-A3-J2 TO MR2-A11-J14
203	46-258431G916	2	CABLE ASM	1	(778M) MG2-A12-A13-J3 TO PP1-A11-J72
204	46-258431G917	2	CABLE ASM	1	(779M) MG2-A12-A13-J4 TO PP1-A11-J73
205	46-258431G918	2	CABLE ASM	1	(780M) MG3-A3-A1-J6 TO PP1-A11-J74
206	46-258431G919	2	CABLE ASM	1	(781M) MG2-A12-A12-J5 TO PP1-A11-J75
207	46-258431G920	2	CABLE ASM	1	(782M) MG2-A12-A12-J6 TO PP1-A11-J76
208	46-317086G533	2	CABLE	1	(801TR) OC1-A10-J10 TO CC1-A2-J2
209	46-317086G534	2	CABLE	1	(800TR)OC1-A10-J1 TO CC1-A2-J1 (MUX)
210	46-317086G535	2	CABLE	1	(804TR) OC1-A10-J3 TO CC1-A1-A1
211	46-317087G510	2	PLASMA CABLE	1	802TR OC1-A10-J12 - CC1-A1-A9-PLASMA
212	46-317088G510	2	CABLE	1	(803TR)OC1-A10-J13 TO CC1-A1-A10
213	46-301125G813	2	CABLE	1	(707T) MR2-A11-J26 TO OC1-A10-J8
214	46-301125G814	2	CABLE	1	(718T) MR2-A11-J29 TO OC1-A10-J4
228	46-301125G906	2	CABLE	1	(772T) PP1-J14 TO MR1-A7-J40
229	46-317068G822	2	CABLE	1	(715V) MG2-A33-J1 TO PP1-J14
230	46-301125G907	2	CABLE	1	(773T) PP1-A17-J1 TO MR1-A7-J35
231	46-317068G931	2	CABLE ASM	1	(716V) MG2-A11-A1-J2 TO PP1-J89
232	2123533-3	2	POWER CABLE	1	(783T) MR1-A7-J37 TO PP1-F5/F6, 80'
233	2123534	2	POWER CABLE	1	(784) PP1-F5/F6 TO MG6-J1, 25'
234	2123535-3	2	POWER CABLE	1	(785T) MR1-A7-J18 TO PP1-F7/F8, 80'
235	2123536	2	POWER CABLE	1	(786) PP1-F7/F8 TO MG6-J2, 25'
238	46-301125G913	2	CABLE	1	(777T) MR1-A7-J43 TO PP1-A11-J94
239	46-301125G914	2	CABLE	1	(776T) MR1-A7-J44 TO PP1-A11-J93
240	46-301125G915	2	CABLE	1	(775T) MR1-A7-J42 TO PP1-A11-J92
250	46-258431G763	2	CABLE	1	RUN 486M, MR2-A11-J85 TO MR1-A7-J22
251	46-258431G764	2	CABLE	1	(487M) MR1-A7-J20 TO PP1-A15-J78
252	46-258431G765	2	CABLE	1	(488M) MR2-A11-J8 TO PP1-J80
253	46-258431G766	2	CABLE	1	(489M) MR2-A11-J9 TO PP1-J81
254	46-258431G767	2	CABLE	1	(490M) MR2-A11-J10 TO PP1-J82
255	46-317068G768	2	CABLE	1	(491V) PP1-J80 TO MG3-A36-J7
256	46-317068G769	2	CABLE	1	(492V) PP1-J81 TO MG3-A36-J8
257	46-317068G770	2	CABLE	1	(493V) PP1-J82 TO MG3-A36-J9
258	46-317068G771	2	CABLE	1	(494V) PP1-A14-J87 TO MG3-A36-J6
259	46-317068G772	2	CABLE	1	(495V) PP1-A15-J78 TO MG3-A36-J10
260	46-258431G831	2	CABLE	1	(726M) MR1-A7-J18 TO PP1-A16-J77
261	46-301125G832	2	CABLE	1	(727T) PP1-A16-J77 TO MG3-A36-J5
263	46-317359G858	2	CABLE ASM	1	(742TR) MR2-A11-J86 TO PP1-A14-J86
264	46-258431G857	2	CABLE	1	(741M) MR2-A11-J87 TO PP1-A14-J87
265	46-243775G859	2	CABLE	1	MR2-A11-J84 TO MR2-A11-J5
266	46-317086G36	2	CABLE	1	(787) MR2-A11-J30 TO CC1A1A1SERIAL-C

5.x SYSTEM CABLES w/MC

46-258771G28 FRU N

(PART OF 46-282429G28 PAGE 1-180)

(PART OF 46-282429G66 PAGE 1-185)

Item	Part Number	FRU	Name	Quantity	Description (Remarks)
8	46-301125G807	2	CABLE	1	(701T) MR2-A11-J15 TO RF DOOR SWITCH
27	46-258431G810	2	CABLE ASM	1	(702M) MR2-A11-J18 TO MR1-A7-J5
28	46-258431G809	2	CABLE	1	(703M) MR2-A11-J23 TO PD1-A1-A2-J2/
30	46-301125G98	2	CABLE ASM	1	(229T) MR2-A11-J1 TO MR1-A7-J3
32	46-301125G100	2	CABLE ASM	1	(231T) MR2-A11-J2 TO PP1-J8
34	46-301125G102	2	CABLE	1	(233T/499T) MR2-A11-J5 TO PP1-J7 OR
57	46-243775G812	2	CABLE	1	(704) PP1-J12 TO OC1-A10-J9
61	46-328000G315	2	CABLE	1	(260/700) PP1-J7 OR PP1-A14-J86 TO
63	46-328000G124	2	CABLE	1	(262) PP1-J8 TO MG3-A3-A5-OUT
83	46-328000G481	2	CABLE	1	(282) MG3-A2-J6 TO PP1-J12
97	46-271692G601	2	CABLE ASM	1	(296T) PP1-J18 TO FACILITIIY DISCONN
98	46-271693G1	2	CABLE ASM	1	RUN 297, EMERGENCY OFF SW TO PP1-J18
119	46-328000G95	2	CABLE	1	(318) MG3-A7 TO PP1-J11
159	46-328000G902	2	CABLE	1	(768TR) PP1-J20 TO MR1-A7-J31
161	46-328000G905	2	CABLE	1	(771TR) PP1-J47 TO MR1-A7-J36
162	46-328000G531	2	CABLE	1	(387) MG2-A29-J1 TO PP1-J47
163	46-328000G904	2	CABLE	1	(770) PP1-J11 TO MR1-A7-J41
164	46-328000G903	2	CABLE	1	(769) PP1-J15 TO MR1-A7-J34
178	46-258431G908	2	CABLE ASM	1	(774M) MR2-A11-J25 TO MR1-A7-J32
192	46-258431G808	2	CABLE	1	(706M) MR2-A11-J14 TO PD1-A14-A1-J3
203	46-328000G916	2	CABLE	1	(778) MG2-A12-A13-J3 TO PP1-A11-J72
204	46-328000G917	2	CABLE	1	(779) MG2-A12-A13-J4 TO PP1-A11-J73
205	46-328000G918	2	CABLE	1	(780) MG3-A3-A1-J6 TO PP1-A11-J74
206	46-328000G919	2	CABLE	1	(781) MG2-A12-A12-J5 TO PP1-A11-J75
207	46-328000G920	2	CABLE	1	(782) MG2-A12-A12-J6 TO PP1-A11-J76
208	46-317086G633	2	CABLE	1	(801T) OC1-A10-J10 TO CC1-A2-J2
209	46-317086G634	2	CABLE	1	(800T) OC1-A10-J1 TO CC1-A2-J1
210	46-317086G635	2	CABLE	1	(804T) OC1A10J3 TO CC1A1A1
211	46-317087G610	2	PLASMA CABLE	1	802T CC1-A1-A9-PLASMA TO OC1-A10-J12
212	46-317088G610	2	CABLE	1	(803T)CC1-A1-A10(VIDEO) TO OC1-A10-
213	46-258431G813	2	CABLE	1	(707M) MR2-A11-J26 TO OC1-A10-J8
214	46-258431G814	2	CABLE	1	(718M) MR2-A11-J29 TO OC1-A10-J4
228	46-328000G906	2	CABLE	1	(772) PP1-J14 TO MR1-A7-J40
229	46-301125G822	2	CABLE	1	(715T) MG2-A33-J1 TO PP1-J14
230	46-328000G907	2	CABLE	1	(773) PP1-A17-J1 TO MR1-A7-J35
231	46-317359G931	2	CABLE	1	(716TR) MG2-A11-A1-J2 TO PP1-J89
232	2123533	2	POWER CABLE	1	(783) MR1-A7-J37 TO PP1-F5/F6, 30'
233	2123534-2	2	POWER CABLE	1	(784M) PP1-F5/F6 TO MG6-J1, 40'
234	2123535	2	POWER CABLE	1	(785) MR1-A7-J18 TO PP1-F7/F8, 30'
235	2123536-2	2	POWER CABLE	1	(786M) PP1-F7/F8 TO MG6-J2, 40'
238	46-328000G913	2	CABLE	1	(777) MR1-A7-J43 TO PP1-A11-J94
239	46-328000G914	2	CABLE	1	(776) MR1-A7-J44 TO PP1-A11-J93
240	46-328000G915	2	CABLE	1	(775) MR1-A7-J42 TO PP1-A11-J92
250	46-301125G763	2	CABLE	1	(486T) PP1-A14-J85/MR2-A11-J85 TO
251	46-301125G764	2	CABLE ASM	1	(487T) MR1-A7-J20 TP PP1-A15-J78
252	46-301125G765	2	CABLE ASM	1	(488T) MR2-A11-J8 TO PP1-J80
253	46-301125G766	2	CABLE ASM	1	(489T) MR2-A11-J9 TO PP1-J81
254	46-301125G767	2	CABLE ASM	1	(490T) MR2-A11-J10 TO PP1-J82
255	46-243775G768	2	CABLE	1	RUN 491, PP1-J80 TO MG3-A36-J7
256	46-243775G769	2	CABLE	1	RUN 492, PP1-J81 TO MG3-A36-J8
257	46-243775G770	2	CABLE	1	RUN 493, PP1-J82 TO MG3-A36-J9
258	46-243775G771	2	CABLE	1	RUN 494, PP1-A14-J87 TO MG3-A36-J6
259	46-243775G772	2	CABLE	1	RUN 495, PP1-A15-J78 TO MG3-A36-J10
260	46-301125G831	2	CABLE ASM	1	(726T)MR1-A7-J18 TO PP1-A16-J77
261	46-243775G832	2	CABLE	1	RUN 727, PP1-A16-J77 TO MG3-A36-J5
266	46-317086G36	2	CABLE	1	(787) MR2-A11-J30 TO CC1A1A1SERIAL-C

5.x 1.0T MOBILE w/o MC

46-258771G30 FRU N

(PART OF 46-282429G65 PAGE 1-184)

Item	Part Number	FRU	Name	Quantity	Description (Remarks)
8	46-243775G807	2	CABLE	1	RUN 701, MR2-A11-J15 TO RF DOOR SW
27	46-317068G810	2	CABLE	1	(702V) MR2-A11-J18 TO MR1-A7-J5
28	46-317068G809	2	CABLE	1	(703V) MR2-A11-J23 TO PD1-A1-A2-J2
30	46-258431G98	2	CABLE	1	(229M) MR2-A11-J1 TO MR1-A7-J3
32	46-328000G100	2	CABLE ASM	1	(231) MR2-A11-J2 TO PP1-J8
34	46-328000G102	2	CABLE ASM	1	(233/499) MR2-A11-J5 TO PP1-J7 OR
57	46-317068G812	2	CABLE	1	(704V) PP1-J12 TO OC1-A10-J9
61	46-317068G315	2	CABLE	1	(260V/700V)MG2/MG3-A17-J2 TO PP1-J7/
63	46-258431G124	2	CABLE	1	(262M) PP1-J8 TO MG3-A3-A5-OUT
83	46-258431G481	2	CABLE	1	(282M) MG3-A2-J6 TO PP1-J12
97	46-271692G1	2	CABLE ASM	1	RUN 296, FACILITY DISCON. TO PP1-J18
98	46-271693G1	2	CABLE ASM	1	RUN 297, EMERGENCY OFF SW TO PP1-J18
119	46-317068G95	2	CABLE	1	(318V) MG3-A7 TO PP1-J11
159	46-258431G902	2	CABLE	1	(768M) PP1-J20 TO MR1-A7-J31
161	46-258431G905	2	CABLE	1	(771M) PP1-J47 TO MR1-A7-J36
162	46-258431G531	2	CABLE	1	(387M) PP1-J47 TO MG2-A29-J1
163	46-258431G904	2	CABLE	1	(770M) PP1-J11 TO MR1-A7-J41
164	46-258431G903	2	CABLE	1	(769M) PP1-J15 TO MR1-A7-J34
178	46-317068G908	2	CABLE	1	(774V) MR2-A11-J25 TO MR1-A7-J32
192	46-317068G808	2	CABLE	1	(706V) PD1-A1-A3-J2 TO MR2-A11-J14
203	46-258431G916	2	CABLE ASM	1	(778M) MG2-A12-A13-J3 TO PP1-A11-J72
204	46-258431G917	2	CABLE ASM	1	(779M) MG2-A12-A13-J4 TO PP1-A11-J73
205	46-258431G918	2	CABLE ASM	1	(780M) MG3-A3-A1-J6 TO PP1-A11-J74
206	46-258431G919	2	CABLE ASM	1	(781M) MG2-A12-A12-J5 TO PP1-A11-J75
207	46-258431G920	2	CABLE ASM	1	(782M) MG2-A12-A12-J6 TO PP1-A11-J76
208	46-317086G33	2	CABLE	1	(801V)OC1-A10-J10 TO CC1-A2-J2
209	46-317086G34	2	CABLE	1	(800V) OC1-A10-J1 TO CC1-A2-J1 (MUX)
210	46-317086G35	2	CABLE	1	(804V) OC1-A10-J3 TO CC1-A1-A1
211	46-317087G10	2	PLASMA CABLE	1	802V OC1-A10-J12 TO CC1-A1-A9-PLASMA
212	46-317088G10	2	CABLE	1	(803V) OC1-A10-J13 TO CC1-A1-A10
213	46-317359G813	2	CABLE ASM	1	(707TR) MR2-A11-J26 TO OC1-A10-J8
214	46-317359G814	2	CABLE ASM	1	(718TR) MR2-A11-J29 TO OC1-A10-J4
228	46-258431G906	2	CABLE	1	(772M) PP1-J14 TO MR1-A7-J40
229	46-317068G822	2	CABLE	1	(715V) MG2-A33-J1 TO PP1-J14
230	46-258431G907	2	CABLE	1	(773M) PP1-A17-J1 TO MR1-A7-J35
231	46-317068G931	2	CABLE ASM	1	(716V) MG2-A11-A1-J2 TO PP1-J89
232	2123533-4	2	CABLE	1	(783TR) MR1-A7-J37 TO PP1-F5/F6, 65'
233	2123534	2	POWER CABLE	1	(784) PP1-F5/F6 TO MG6-J1, 25'
234	2123535-4	2	POWER CABLE	1	(785TR) MR1-A7-J18 TO PP1-F7/F8, 65'
235	2123536	2	POWER CABLE	1	(786) PP1-F7/F8 TO MG6-J2, 25'
238	46-317068G913	2	CABLE ASM	1	(777V)MR1-A7-J43 TO PP1-A11-J94
239	46-317068G914	2	CABLE ASM	1	(776V)MR1-A7-J44 TO PP1-A11-J93
240	46-317068G915	2	CABLE ASM	1	(775V)MR1-A7-J42 TO PP1-A11-J92
266	46-317086G36	2	CABLE	1	(787) MR2-A11-J30 TO CC1A1A1SERIAL-C

5.x 1.0T MOBILE w/ MC

46-258771G31 FRU N

(PART OF 46-282429G68 PAGE 1-185)

Item	Part Number	FRU	Name	Quantity	Description (Remarks)
8	46-243775G807	2	CABLE	1	RUN 701, MR2-A11-J15 TO RF DOOR SW
27	46-317068G810	2	CABLE	1	(702V) MR2-A11-J18 TO MR1-A7-J5
28	46-317068G809	2	CABLE	1	(703V) MR2-A11-J23 TO PD1-A1-A2-J2
30	46-258431G98	2	CABLE	1	(229M) MR2-A11-J1 TO MR1-A7-J3
32	46-328000G100	2	CABLE ASM	1	(231) MR2-A11-J2 TO PP1-J8
34	46-328000G102	2	CABLE ASM	1	(233/499) MR2-A11-J5 TO PP1-J7 OR
57	46-317068G812	2	CABLE	1	(704V) PP1-J12 TO OC1-A10-J9
61	46-317068G315	2	CABLE	1	(260V/700V)MG2/MG3-A17-J2 TO PP1-J7/
63	46-258431G124	2	CABLE	1	(262M) PP1-J8 TO MG3-A3-A5-OUT
83	46-258431G481	2	CABLE	1	(282M) MG3-A2-J6 TO PP1-J12
97	46-271692G1	2	CABLE ASM	1	RUN 296, FACILITY DISCON. TO PP1-J18
98	46-271693G1	2	CABLE ASM	1	RUN 297, EMERGENCY OFF SW TO PP1-J18
119	46-317068G95	2	CABLE	1	(318V) MG3-A7 TO PP1-J11
159	46-258431G902	2	CABLE	1	(768M) PP1-J20 TO MR1-A7-J31
161	46-258431G905	2	CABLE	1	(771M) PP1-J47 TO MR1-A7-J36
162	46-258431G531	2	CABLE	1	(387M) PP1-J47 TO MG2-A29-J1
163	46-258431G904	2	CABLE	1	(770M) PP1-J11 TO MR1-A7-J41
164	46-258431G903	2	CABLE	1	(769M) PP1-J15 TO MR1-A7-J34
178	46-317068G908	2	CABLE	1	(774V) MR2-A11-J25 TO MR1-A7-J32
192	46-317068G808	2	CABLE	1	(706V) PD1-A1-A3-J2 TO MR2-A11-J14
203	46-258431G916	2	CABLE ASM	1	(778M) MG2-A12-A13-J3 TO PP1-A11-J72
204	46-258431G917	2	CABLE ASM	1	(779M) MG2-A12-A13-J4 TO PP1-A11-J73
205	46-258431G918	2	CABLE ASM	1	(780M) MG3-A3-A1-J6 TO PP1-A11-J74
206	46-258431G919	2	CABLE ASM	1	(781M) MG2-A12-A12-J5 TO PP1-A11-J75
207	46-258431G920	2	CABLE ASM	1	(782M) MG2-A12-A12-J6 TO PP1-A11-J76
208	46-317086G33	2	CABLE	1	(801V)OC1-A10-J10 TO CC1-A2-J2
209	46-317086G34	2	CABLE	1	(800V) OC1-A10-J1 TO CC1-A2-J1 (MUX)
210	46-317086G35	2	CABLE	1	(804V) OC1-A10-J3 TO CC1-A1-A1
211	46-317087G10	2	PLASMA CABLE	1	802V OC1-A10-J12 TO CC1-A1-A9-PLASMA
212	46-317088G10	2	CABLE	1	(803V) OC1-A10-J13 TO CC1-A1-A10
213	46-317359G813	2	CABLE ASM	1	(707TR) MR2-A11-J26 TO OC1-A10-J8
214	46-317359G814	2	CABLE ASM	1	(718TR) MR2-A11-J29 TO OC1-A10-J4
228	46-258431G906	2	CABLE	1	(772M) PP1-J14 TO MR1-A7-J40
229	46-317068G822	2	CABLE	1	(715V) MG2-A33-J1 TO PP1-J14
230	46-258431G907	2	CABLE	1	(773M) PP1-A17-J1 TO MR1-A7-J35
231	46-317068G931	2	CABLE ASM	1	(716V) MG2-A11-A1-J2 TO PP1-J89
232	2123533-4	2	CABLE	1	(783TR) MR1-A7-J37 TO PP1-F5/F6, 65'
233	2123534	2	POWER CABLE	1	(784) PP1-F5/F6 TO MG6-J1, 25'
234	2123535-4	2	POWER CABLE	1	(785TR) MR1-A7-J18 TO PP1-F7/F8, 65'
235	2123536	2	POWER CABLE	1	(786) PP1-F7/F8 TO MG6-J2, 25'
238	46-317068G913	2	CABLE ASM	1	(777V)MR1-A7-J43 TO PP1-A11-J94
239	46-317068G914	2	CABLE ASM	1	(776V)MR1-A7-J44 TO PP1-A11-J93
240	46-317068G915	2	CABLE ASM	1	(775V)MR1-A7-J42 TO PP1-A11-J92
250	46-328000G763	2	CABLE ASM	1	(486) PP1-A14-J85/MR2-A11-J85 TO
251	46-317068G764	2	CABLE ASM	1	(487V)MR1-A7-J20 TO PP1-A15-J78
252	46-317068G765	2	CABLE ASM	1	(488V)MR2-A11-J8 TO PP1-J80
253	46-317068G766	2	CABLE ASM	1	(489V)MR2-A11-J9 TO PP1-J81
254	46-317068G767	2	CABLE ASM	1	(490V)MR2-A11-J10 TO PP1-J82
255	46-317068G768	2	CABLE	1	(491V) PP1-J80 TO MG3-A36-J7
256	46-317068G769	2	CABLE	1	(492V) PP1-J81 TO MG3-A36-J8
257	46-317068G770	2	CABLE	1	(493V) PP1-J82 TO MG3-A36-J9
258	46-317068G771	2	CABLE	1	(494V) PP1-A14-J87 TO MG3-A36-J6
259	46-317068G772	2	CABLE	1	(495V) PP1-A15-J78 TO MG3-A36-J10
260	46-317068G831	2	CABLE ASM	1	726V, MR1-A7-J18 TO PP1-A16-J77 65FT
261	46-317068G832	2	CABLE	1	(727V) PP1-A16-J77 TO MG3-A36-J5
266	46-317086G536	2	CABLE ASM	1	(787M) MR2-A11-J30 TO CC1A1A1SERIALC

5.x FIXED CABLES w/o MC

46-258771G32 FRU N

(PART OF 46-282429G26 PAGE 1-180)

(PART OF 46-282429G63 PAGE 1-184)

Item	Part Number	FRU	Name	Quantity	Description (Remarks)
8	46-301125G807	2	CABLE	1	(701T) MR2-A11-J15 TO RF DOOR SWITCH
27	46-258431G810	2	CABLE ASM	1	(702M) MR2-A11-J18 TO MR1-A7-J5
28	46-258431G809	2	CABLE	1	(703M) MR2-A11-J23 TO PD1-A1-A2-J2/
30	46-301125G98	2	CABLE ASM	1	(229T) MR2-A11-J1 TO MR1-A7-J3
32	46-301125G100	2	CABLE ASM	1	(231T) MR2-A11-J2 TO PP1-J8
34	46-301125G102	2	CABLE	1	(233T/499T) MR2-A11-J5 TO PP1-J7 OR
57	46-243775G812	2	CABLE	1	(704) PP1-J12 TO OC1-A10-J9
61	46-328000G315	2	CABLE	1	(260/700) PP1-J7 OR PP1-A14-J86 TO
63	46-328000G124	2	CABLE	1	(262) PP1-J8 TO MG3-A3-A5-OUT
83	46-328000G481	2	CABLE	1	(282) MG3-A2-J6 TO PP1-J12
97	46-271692G601	2	CABLE ASM	1	(296T) PP1-J18 TO FACILITY DISCONN
98	46-271693G1	2	CABLE ASM	1	RUN 297, EMERGENCY OFF SW TO PP1-J18
119	46-328000G95	2	CABLE	1	(318) MG3-A7 TO PP1-J11
159	46-328000G902	2	CABLE	1	(768TR) PP1-J20 TO MR1-A7-J31
161	46-328000G905	2	CABLE	1	(771TR) PP1-J47 TO MR1-A7-J36
162	46-328000G531	2	CABLE	1	(387) MG2-A29-J1 TO PP1-J47
163	46-328000G904	2	CABLE	1	(770) PP1-J11 TO MR1-A7-J41
164	46-328000G903	2	CABLE	1	(769) PP1-J15 TO MR1-A7-J34
178	46-258431G908	2	CABLE ASM	1	(774M) MR2-A11-J25 TO MR1-A7-J32
192	46-258431G808	2	CABLE	1	(706M) MR2-A11-J14 TO PD1-A14-A1-J3
203	46-328000G916	2	CABLE	1	(778) MG2-A12-A13-J3 TO PP1-A11-J72
204	46-328000G917	2	CABLE	1	(779) MG2-A12-A13-J4 TO PP1-A11-J73
205	46-328000G918	2	CABLE	1	(780) MG3-A3-A1-J6 TO PP1-A11-J74
206	46-328000G919	2	CABLE	1	(781) MG2-A12-A12-J5 TO PP1-A11-J75
207	46-328000G920	2	CABLE	1	(782) MG2-A12-A12-J6 TO PP1-A11-J76
208	46-317086G633	2	CABLE	1	(801T) OC1-A10-J10 TO CC1-A2-J2
209	46-317086G634	2	CABLE	1	(800T) OC1-A10-J1 TO CC1-A2-J1
210	46-317086G635	2	CABLE	1	(804T) OC1A10J3 TO CC1A1A1
211	46-317087G610	2	PLASMA CABLE	1	802T CC1-A1-A9-PLASMA TO OC1-A10-J12
212	46-317088G610	2	CABLE	1	(803T)CC1-A1-A10(VIDEO) TO OC1-A10-
213	46-258431G813	2	CABLE	1	(707M) MR2-A11-J26 TO OC1-A10-J8
214	46-258431G814	2	CABLE	1	(718M) MR2-A11-J29 TO OC1-A10-J4
228	46-328000G906	2	CABLE	1	(772) PP1-J14 TO MR1-A7-J40
229	46-301125G822	2	CABLE	1	(715T) MG2-A33-J1 TO PP1-J14
230	46-328000G907	2	CABLE	1	(773) PP1-A17-J1 TO MR1-A7-J35
231	46-317359G931	2	CABLE	1	(716TR) MG2-A11-A1-J2 TO PP1-J89
232	2123533	2	POWER CABLE	1	(783) MR1-A7-J37 TO PP1-F5/F6, 30'
233	2123534-2	2	POWER CABLE	1	(784M) PP1-F5/F6 TO MG6-J1, 40'
234	2123535	2	POWER CABLE	1	(785) MR1-A7-J18 TO PP1-F7/F8, 30'
235	2123536-2	2	POWER CABLE	1	(786M) PP1-F7/F8 TO MG6-J2, 40'
238	46-328000G913	2	CABLE	1	(777) MR1-A7-J43 TO PP1-A11-J94
239	46-328000G914	2	CABLE	1	(776) MR1-A7-J44 TO PP1-A11-J93
240	46-328000G915	2	CABLE	1	(775) MR1-A7-J42 TO PP1-A11-J92
266	46-317086G36	2	CABLE	1	(787) MR2-A11-J30 TO CC1A1A1SERIAL-C

5.x 1.0T T/R with MC 46-258771G33 FRU N (PART OF 46-282429G67 PAGE 1-185)

Item	Part Number	FRU	Name	Quantity	Description (Remarks)
8	46-243775G807	2	CABLE	1	RUN 701, MR2-A11-J15 TO RF DOOR SW
27	46-243775G810	2	CABLE	1	RUN 702, MR2-A11-J18 TO MR1-A7-J5
28	46-301125G809	2	CABLE	1	(703T) MR2-A11-J23 TO PD1-A1-A2-J2
30	46-243775G98	2	CABLE	1	RUN 229, MR2-A11-J1 TO MR1-A7-J3
32	46-317359G100	2	CABLE	1	(231TR) MR2-A11-J2 TO PP1-J8
34	46-317359G102	2	CABLE	1	(233TR/499TR) MR2-A11-J5 TO PP1-A14-
57	46-317068G812	2	CABLE	1	(704V) PP1-J12 TO OC1-A10-J9
61	46-317068G315	2	CABLE	1	(260V/700V)MG2/MG3-A17-J2 TO PP1-J7/
63	46-258431G124	2	CABLE	1	(262M) PP1-J8 TO MG3-A3-A5-OUT
83	46-258431G481	2	CABLE	1	(282M) MG3-A2-J6 TO PP1-J12
97	46-271692G1	2	CABLE ASM	1	RUN 296, FACILITY DISCON. TO PP1-J18
98	46-271693G1	2	CABLE ASM	1	RUN 297, EMERGENCY OFF SW TO PP1-J18
119	46-317068G95	2	CABLE	1	(318V) MG3-A7 TO PP1-J11
159	46-317359G902	2	CABLE	1	(768TR) PP1-J20 TO MR1-A7-J31
161	46-317359G905	2	CABLE	1	(771TR) PP1-J47 TO MR1-A7-J36
162	46-258431G531	2	CABLE	1	(387M) PP1-J47 TO MG2-A29-J1
163	46-317359G904	2	CABLE	1	(770TR) PP1-J11 TO MR1-A7-J41
164	46-317359G903	2	CABLE	1	(769TR) PP1-J15 TO MR1-A7-J34
178	46-328000G908	2	CABLE	1	(774) MR2-A11-J25 TO MR1-A7-J32
192	46-301125G808	2	CABLE	1	(706T) PD1-A1-A3-J2 TO MR2-A11-J14
203	46-258431G916	2	CABLE ASM	1	(778M) MG2-A12-A13-J3 TO PP1-A11-J72
204	46-258431G917	2	CABLE ASM	1	(779M) MG2-A12-A13-J4 TO PP1-A11-J73
205	46-258431G918	2	CABLE ASM	1	(780M) MG3-A3-A1-J6 TO PP1-A11-J74
206	46-258431G919	2	CABLE ASM	1	(781M) MG2-A12-A12-J5 TO PP1-A11-J75
207	46-258431G920	2	CABLE ASM	1	(782M) MG2-A12-A12-J6 TO PP1-A11-J76
208	46-317086G533	2	CABLE	1	(801TR) OC1-A10-J10 TO CC1-A2-J2
209	46-317086G534	2	CABLE	1	(800TR)OC1-A10-J1 TO CC1-A2-J1 (MUX)
210	46-317086G535	2	CABLE	1	(804TR) OC1-A10-J3 TO CC1-A1-A1
211	46-317087G510	2	PLASMA CABLE	1	802TR OC1-A10-J12 - CC1-A1-A9-PLASMA
212	46-317088G510	2	CABLE	1	(803TR)OC1-A10-J13 TO CC1-A1-A10
213	46-301125G813	2	CABLE	1	(707T) MR2-A11-J26 TO OC1-A10-J8
214	46-301125G814	2	CABLE	1	(718T) MR2-A11-J29 TO OC1-A10-J4
228	46-301125G906	2	CABLE	1	(772T) PP1-J14 TO MR1-A7-J40
229	46-317068G822	2	CABLE	1	(715V) MG2-A33-J1 TO PP1-J14
230	46-301125G907	2	CABLE	1	(773T) PP1-A17-J1 TO MR1-A7-J35
231	46-317068G931	2	CABLE ASM	1	(716V) MG2-A11-A1-J2 TO PP1-J89
232	2123533-3	2	POWER CABLE	1	(783T) MR1-A7-J37 TO PP1-F5/F6, 80'
233	2123534	2	POWER CABLE	1	(784) PP1-F5/F6 TO MG6-J1, 25'
234	2123535-3	2	POWER CABLE	1	(785T) MR1-A7-J18 TO PP1-F7/F8, 80'
235	2123536	2	POWER CABLE	1	(786) PP1-F7/F8 TO MG6-J2, 25'
238	46-301125G913	2	CABLE	1	(777T) MR1-A7-J43 TO PP1-A11-J94
239	46-301125G914	2	CABLE	1	(776T) MR1-A7-J44 TO PP1-A11-J93
240	46-301125G915	2	CABLE	1	(775T) MR1-A7-J42 TO PP1-A11-J92
250	46-243775G763	2	CABLE	1	RUN 486, PP1-A14-J85 TO MR1-A7-J22
251	46-258431G764	2	CABLE	1	(487M) MR1-A7-J20 TO PP1-A15-J78
252	46-258431G765	2	CABLE	1	(488M) MR2-A11-J8 TO PP1-J80
253	46-258431G766	2	CABLE	1	(489M) MR2-A11-J9 TO PP1-J81
254	46-258431G767	2	CABLE	1	(490M) MR2-A11-J10 TO PP1-J82
255	46-317068G768	2	CABLE	1	(491V) PP1-J80 TO MG3-A36-J7
256	46-317068G769	2	CABLE	1	(492V) PP1-J81 TO MG3-A36-J8
257	46-317068G770	2	CABLE	1	(493V) PP1-J82 TO MG3-A36-J9
258	46-317068G771	2	CABLE	1	(494V) PP1-A14-J87 TO MG3-A36-J6
259	46-317068G772	2	CABLE	1	(495V) PP1-A15-J78 TO MG3-A36-J10
260	46-258431G831	2	CABLE	1	(726M) MR1-A7-J18 TO PP1-A16-J77
261	46-301125G832	2	CABLE	1	(727T) PP1-A16-J77 TO MG3-A36-J5
266	46-317086G36	2	CABLE	1	(787) MR2-A11-J30 TO CC1A1A1SERIAL-C

8.x FIXED with OR w/o MC

46-258771G35 FRU N

(PART OF 46-282429G30 PAGE 1-181)
 (PART OF 46-282429G69 PAGE 1-185)
 (PART OF 46-282429G72 PAGE 1-186)
 (PART OF 46-282429G75 PAGE 1-187)
 (PART OF 46-282429G80 PAGE 1-189)
 (PART OF 46-282429G83 PAGE 1-190)

Item	Part Number	FRU	Name	Quantity	Description (Remarks)
5	2198993	2	CABLE	1	(818) MR2-A11-J31 TO OW1-A16-6,7,8
8	46-301125G807	2	CABLE	1	(701T) MR2-A11-J15 TO RF DOOR SWITCH
27	46-258431G810	2	CABLE ASM	1	(702M) MR2-A11-J18 TO MR1-A7-J5
28	46-258431G809	2	CABLE	1	(703M) MR2-A11-J23 TO PD1-A1-A2-J2/
30	46-301125G98	2	CABLE ASM	1	(229T) MR2-A11-J1 TO MR1-A7-J3
32	46-301125G100	2	CABLE ASM	1	(231T) MR2-A11-J2 TO PP1-J8
34	46-301125G102	2	CABLE	1	(233T/499T) MR2-A11-J5 TO PP1-J7 OR
61	46-328000G315	2	CABLE	1	(260/700) PP1-J7 OR PP1-A14-J86 TO
63	46-328000G124	2	CABLE	1	(262) PP1-J8 TO MG3-A3-A5-OUT
83	46-328000G481	2	CABLE	1	(282) MG3-A2-J6 TO PP1-J12
97	46-271692G601	2	CABLE ASM	1	(296T) PP1-J18 TO FACILITTY DISCONN
98	46-271693G1	2	CABLE ASM	1	RUN 297, EMERGENCY OFF SW TO PP1-J18
119	46-328000G95	2	CABLE	1	(318) MG3-A7 TO PP1-J11
159	46-328000G902	2	CABLE	1	(768TR) PP1-J20 TO MR1-A7-J31
161	46-328000G905	2	CABLE	1	(771TR) PP1-J47 TO MR1-A7-J36
162	46-328000G531	2	CABLE	1	(387) MG2-A29-J1 TO PP1-J47
163	46-328000G904	2	CABLE	1	(770) PP1-J11 TO MR1-A7-J41
164	46-328000G903	2	CABLE	1	(769) PP1-J15 TO MR1-A7-J34
178	46-258431G908	2	CABLE ASM	1	(774M) MR2-A11-J25 TO MR1-A7-J32
192	46-258431G808	2	CABLE	1	(706M) MR2-A11-J14 TO PD1-A14-A1-J3
203	46-328000G916	2	CABLE	1	(778) MG2-A12-A13-J3 TO PP1-A11-J72
204	46-328000G917	2	CABLE	1	(779) MG2-A12-A13-J4 TO PP1-A11-J73
205	46-328000G918	2	CABLE	1	(780) MG3-A3-A1-J6 TO PP1-A11-J74
206	46-328000G919	2	CABLE	1	(781) MG2-A12-A12-J5 TO PP1-A11-J75
207	46-328000G920	2	CABLE	1	(782) MG2-A12-A12-J6 TO PP1-A11-J76
228	46-328000G906	2	CABLE	1	(772) PP1-J14 TO MR1-A7-J40
229	46-301125G822	2	CABLE	1	(715T) MG2-A33-J1 TO PP1-J14
230	46-328000G907	2	CABLE	1	(773) PP1-A17-J1 TO MR1-A7-J35
231	46-317359G931	2	CABLE	1	(716TR) MG2-A11-A1-J2 TO PP1-J89
232	2123533	2	POWER CABLE	1	(783) MR1-A7-J37 TO PP1-F5/F6, 30'
233	2123534-2	2	POWER CABLE	1	(784M) PP1-F5/F6 TO MG6-J1, 40'
234	2123535	2	POWER CABLE	1	(785) MR1-A7-J18 TO PP1-F7/F8, 30'
235	2123536-2	2	POWER CABLE	1	(786M) PP1-F7/F8 TO MG6-J2, 40'
238	46-328000G913	2	CABLE	1	(777) MR1-A7-J43 TO PP1-A11-J94
239	46-328000G914	2	CABLE	1	(776) MR1-A7-J44 TO PP1-A11-J93
240	46-328000G915	2	CABLE	1	(775) MR1-A7-J42 TO PP1-A11-J92
250	46-301125G763	2	CABLE	1	(486T) PP1-A14-J85/MR2-A11-J85 TO
251	46-301125G764	2	CABLE ASM	1	(487T) MR1-A7-J20 TP PP1-A15-J78
252	46-301125G765	2	CABLE ASM	1	(488T) MR2-A11-J8 TO PP1-J80
253	46-301125G766	2	CABLE ASM	1	(489T) MR2-A11-J9 TO PP1-J81
254	46-301125G767	2	CABLE ASM	1	(490T) MR2-A11-J10 TO PP1-J82
255	46-243775G768	2	CABLE	1	RUN 491, PP1-J80 TO MG3-A36-J7
256	46-243775G769	2	CABLE	1	RUN 492, PP1-J81 TO MG3-A36-J8
257	46-243775G770	2	CABLE	1	RUN 493, PP1-J82 TO MG3-A36-J9
258	46-243775G771	2	CABLE	1	RUN 494, PP1-A14-J87 TO MG3-A36-J6
259	46-243775G772	2	CABLE	1	RUN 495, PP1-A15-J78 TO MG3-A36-J10
260	46-301125G831	2	CABLE ASM	1	(726T)MR1-A7-J18 TO PP1-A16-J77
261	46-243775G832	2	CABLE	1	RUN 727, PP1-A16-J77 TO MG3-A36-J5
267	46-328000G937	2	ASSEMBLY	1	(788)PP1-J12 TO OW1-A1-A2-J7
268	46-328000G938	2	ASSEMBLY	1	(789)MR2-A11-J26 TO OW1-A1-A2-J18
269	46-328000G939	2	ASSEMBLY	1	(791) MR2-A11-J30 TO OW1-A2-A4-EXP1

8.x 1.5T T/R with OR w/o MC

46-258771G36 FRU N

(PART 8 OF M3093PA PAGE 1-55)

(PART OF T/R COLLECTORS

46-282429G31 TO 46-282429G101 PAGES 1-181 TO 1-192)

Item	Part Number	FRU	Name	Quantity	Description (Remarks)
5	2198993	2	CABLE	1	(818) MR2-A11-J31 TO OW1-A16-6,7,8
8	46-243775G807	2	CABLE	1	RUN 701, MR2-A11-J15 TO RF DOOR SW
27	46-243775G810	2	CABLE	1	RUN 702, MR2-A11-J18 TO MR1-A7-J5
28	46-301125G809	2	CABLE	1	(703T) MR2-A11-J23 TO MR1-PD1-J2
30	46-243775G98	2	CABLE	1	RUN 229, MR2-A11-J1 TO MR1-A7-J3
32	46-317359G100	2	CABLE	1	(231TR) MR2-A11-J2 TO PP1-J8
34	46-317359G102	2	CABLE	1	(233TR/499TR) MR2-A11-J5 TO PP1-A14-
61	46-317068G315	2	CABLE	1	(260V/700V)MG2/MG3-A17-J2 TO PP1-J7/
63	46-258431G124	2	CABLE	1	(262M) PP1-J8 TO MG3-A3-A5-OUT
83	46-258431G481	2	CABLE	1	(282M) MG3-A2-J6 TO PP1-J12
97	46-271692G1	2	CABLE ASM	1	RUN 296, FACILITY DISCON. TO PP1-J18
98	46-271693G1	2	CABLE ASM	1	RUN 297, EMERGENCY OFF SW TO PP1-J18
119	46-317068G95	2	CABLE	1	(318V) MG3-A7 TO PP1-J11
159	46-317359G902	2	CABLE	1	(768TR) PP1-J20 TO MR1-A7-J31
161	46-317359G905	2	CABLE	1	(771TR) PP1-J47 TO MR1-A7-J36
162	46-258431G531	2	CABLE	1	(387M) PP1-J47 TO MG2-A29-J1
163	46-317359G904	2	CABLE	1	(770TR) PP1-J11 TO MR1-A7-J41
164	46-317359G903	2	CABLE	1	(769TR) PP1-J15 TO MR1-A7-J34
178	46-328000G908	2	CABLE	1	(774) MR2-A11-J25 TO MR1-A7-J32
192	46-301125G808	2	CABLE	1	(706T) MR1-PD1-J3 TO MR2-A11-J14
203	46-258431G916	2	CABLE ASM	1	(778M) MG2-A12-A13-J3 TO PP1-A11-J72
204	46-258431G917	2	CABLE ASM	1	(779M) MG2-A12-A13-J4 TO PP1-A11-J73
205	46-258431G918	2	CABLE ASM	1	(780M) MG3-A3-A1-J6 TO PP1-A11-J74
206	46-258431G919	2	CABLE ASM	1	(781M) MG2-A12-A12-J5 TO PP1-A11-J75
207	46-258431G920	2	CABLE ASM	1	(782M) MG2-A12-A12-J6 TO PP1-A11-J76
228	46-301125G906	2	CABLE	1	(772T) PP1-J14 TO MR1-A7-J40
229	46-317068G822	2	CABLE	1	(715V) MG2-A33-J1 TO PP1-J14
230	46-301125G907	2	CABLE	1	(773T) PP1-A17-J1 TO MR1-A7-J35
231	46-317068G931	2	CABLE ASM	1	(716V) MG2-A11-A1-J2 TO PP1-J89
232	2123533-3	2	POWER CABLE	1	(783T) MR1-A7-J37 TO PP1-F5/F6, 80'
233	2123534	2	POWER CABLE	1	(784) PP1-F5/F6 TO MG6-J1, 25'
234	2123535-3	2	POWER CABLE	1	(785T) MR1-A7-J18 TO PP1-F7/F8, 80'
235	2123536	2	POWER CABLE	1	(786) PP1-F7/F8 TO MG6-J2, 25'
238	46-301125G913	2	CABLE	1	(777T) MR1-A7-J43 TO PP1-A11-J94
239	46-301125G914	2	CABLE	1	(776T) MR1-A7-J44 TO PP1-A11-J93
240	46-301125G915	2	CABLE	1	(775T) MR1-A7-J42 TO PP1-A11-J92
250	46-328000G763	2	CABLE ASM	1	(486) PP1-A14-J85/MR2-A11-J85 TO
251	46-258431G764	2	CABLE	1	(487M) MR1-A7-J20 TO PP1-A15-J78
252	46-258431G765	2	CABLE	1	(488M) MR2-A11-J8 TO PP1-J80
253	46-258431G766	2	CABLE	1	(489M) MR2-A11-J9 TO PP1-J81
254	46-258431G767	2	CABLE	1	(490M) MR2-A11-J10 TO PP1-J82
255	46-317068G768	2	CABLE	1	(491V) PP1-J80 TO MG3-A36-J7
256	46-317068G769	2	CABLE	1	(492V) PP1-J81 TO MG3-A36-J8
257	46-317068G770	2	CABLE	1	(493V) PP1-J82 TO MG3-A36-J9
258	46-317068G771	2	CABLE	1	(494V) PP1-A14-J87 TO MG3-A36-J6
259	46-317068G772	2	CABLE	1	(495V) PP1-A15-J78 TO MG3-A36-J10
260	46-258431G831	2	CABLE	1	(726M) MR1-A7-J18 TO PP1-A16-J77
261	46-301125G832	2	CABLE	1	(727T) PP1-A16-J77 TO MG3-A36-J5
263	46-317359G858	2	CABLE ASM	1	(742TR) MR2-A11-J86 TO PP1-A14-J86
264	46-258431G857	2	CABLE	1	(741M) MR2-A11-J87 TO PP1-A14-J87
265	46-243775G859	2	CABLE	1	MR2-A11-J84 TO MR2-A11-J5
267	46-258431G937	2	CABLE	1	(788M) PP1-J12 TO OW1-A1-A2-J7
268	46-301125G938	2	CABLE	1	(789T) MR2-A11-J26 TO OW1-A1-A2-J18
269	46-301125G939	2	CABLE	1	(791T) MR2-A11-J30 TO OW1-A2-A4-EXP1

8.x MOBILE with OR w/o MC

46-258771G38 FRU N

(PART OF MOBILE COLLECTORS
46-282429G32 TO 46-282429G85 PAGES 1-182 TO 1-190)

Item	Part Number	FRU	Name	Quantity	Description (Remarks)
5	2198993	2	CABLE	1	(818) MR2-A11-J31 TO OW1-A16-6,7,8
8	46-243775G807	2	CABLE	1	RUN 701, MR2-A11-J15 TO RF DOOR SW
27	46-317068G810	2	CABLE	1	(702V) MR2-A11-J18 TO MR1-A7-J5
28	46-317068G809	2	CABLE	1	(703V) MR2-A11-J23 TO MR1-PD1-J2
30	46-258431G98	2	CABLE	1	(229M) MR2-A11-J1 TO MR1-A7-J3_OR TO
32	46-328000G100	2	CABLE ASM	1	(231) MR2-A11-J2 TO PP1-J8
34	46-328000G102	2	CABLE ASM	1	(233/499) MR2-A11-J5 TO PP1-J7 OR
61	46-317068G315	2	CABLE	1	(260V/700V)MG2/MG3-A17-J2 TO PP1-J7/
63	46-258431G124	2	CABLE	1	(262M) PP1-J8 TO MG3-A3-A5-OUT
83	46-258431G481	2	CABLE	1	(282M) MG3-A2-J6 TO PP1-J12
97	46-271692G1	2	CABLE ASM	1	RUN 296, FACILITY DISCON. TO PP1-J18
98	46-271693G1	2	CABLE ASM	1	RUN 297, EMERGENCY OFF SW TO PP1-J18
119	46-317068G95	2	CABLE	1	(318V) MG3-A7 TO PP1-J11
159	46-258431G902	2	CABLE	1	(768M) PP1-J20 TO MR1-A7-J31
161	46-258431G905	2	CABLE	1	(771M) PP1-J47 TO MR1-A7-J36
162	46-258431G531	2	CABLE	1	(387M) PP1-J47 TO MG2-A29-J1
163	46-258431G904	2	CABLE	1	(770M) PP1-J11 TO MR1-A7-J41
164	46-258431G903	2	CABLE	1	(769M) PP1-J15 TO MR1-A7-J34
178	46-317068G908	2	CABLE	1	(774V) MR2-A11-J25 TO MR1-A7-J32
192	46-317068G808	2	CABLE	1	(706V) MR1-PD1-J3 TO MR2-A11-J14
203	46-258431G916	2	CABLE ASM	1	(778M) MG2-A12-A13-J3 TO PP1-A11-J72
204	46-258431G917	2	CABLE ASM	1	(779M) MG2-A12-A13-J4 TO PP1-A11-J73
205	46-258431G918	2	CABLE ASM	1	(780M) MG3-A3-A1-J6 TO PP1-A11-J74
206	46-258431G919	2	CABLE ASM	1	(781M) MG2-A12-A12-J5 TO PP1-A11-J75
207	46-258431G920	2	CABLE ASM	1	(782M) MG2-A12-A12-J6 TO PP1-A11-J76
228	46-258431G906	2	CABLE	1	(772M) PP1-J14 TO MR1-A7-J40
229	46-317068G822	2	CABLE	1	(715V) MG2-A33-J1 TO PP1-J14
230	46-258431G907	2	CABLE	1	(773M) PP1-A17-J1 TO MR1-A7-J35
231	46-317068G931	2	CABLE ASM	1	(716V) MG2-A11-A1-J2 TO PP1-J89
232	2123533-4	2	CABLE	1	(783TR) MR1-A7-J37 TO PP1-F5/F6, 65'
233	2123534	2	POWER CABLE	1	(784) PP1-F5/F6 TO MG6-J1, 25'
234	2123535-4	2	POWER CABLE	1	(785TR) MR1-A7-J18 TO PP1-F7/F8, 65'
235	2123536	2	POWER CABLE	1	(786) PP1-F7/F8 TO MG6-J2, 25'
238	46-317068G913	2	CABLE ASM	1	(777V)MR1-A7-J43 TO PP1-A11-J94
239	46-317068G914	2	CABLE ASM	1	(776V)MR1-A7-J44 TO PP1-A11-J93
240	46-317068G915	2	CABLE ASM	1	(775V)MR1-A7-J42 TO PP1-A11-J92
250	46-328000G763	2	CABLE ASM	1	(486) PP1-A14-J85/MR2-A11-J85 TO
251	46-317068G764	2	CABLE ASM	1	(487V)MR1-A7-J20 TO PP1-A15-J78
252	46-317068G765	2	CABLE ASM	1	(488V)MR2-A11-J8 TO PP1-J80
253	46-317068G766	2	CABLE ASM	1	(489V)MR2-A11-J9 TO PP1-J81
254	46-317068G767	2	CABLE ASM	1	(490V)MR2-A11-J10 TO PP1-J82
255	46-317068G768	2	CABLE	1	(491V) PP1-J80 TO MG3-A36-J7
256	46-317068G769	2	CABLE	1	(492V) PP1-J81 TO MG3-A36-J8
257	46-317068G770	2	CABLE	1	(493V) PP1-J82 TO MG3-A36-J9
258	46-317068G771	2	CABLE	1	(494V) PP1-A14-J87 TO MG3-A36-J6
259	46-317068G772	2	CABLE	1	(495V) PP1-A15-J78 TO MG3-A36-J10
260	46-317068G831	2	CABLE ASM	1	726V, MR1-A7-J18 TO PP1-A16-J77 65FT
261	46-317068G832	2	CABLE	1	(727V) PP1-A16-J77 TO MG3-A36-J5
263	46-317068G858	2	CABLE	1	(742V) MR2-A11-J86 TO PP1-A14-J86
264	46-317068G857	2	CABLE	1	(741V) MR2-A11-J87 TO PP1-A14-J87
265	46-243775G859	2	CABLE	1	MR2-A11-J84 TO MR2-A11-J5
267	46-258431G937	2	CABLE	1	(788M) PP1-J12 TO OW1-A1-A2-J7
268	46-258431G938	2	CABLE	1	(789M) MR2-A11-J26 TO OW1-A1-A2-J18
269	46-258431G939	2	CABLE	1	(791M)MR2-A11-J30 TO OW1-A2-A4-EXP1

8.x MOBILE SITE CABLES

46-258771G39 FRU N

(PART OF 46-282429G38 PAGE 1-183)
 (PART OF 46-282429G76 PAGE 1-188)
 (PART OF 46-282429G81 PAGE 1-189)
 (PART OF 46-282429G85 PAGE 1-190)
 (PART OF 46-282429G102 PAGE 1-193)
 (PART OF 46-282429G103 PAGE 1-193)

Item	Part Number	FRU	Name	Quantity	Description (Remarks)
5	2198993	2	CABLE	1	(818) MR2-A11-J31 TO OW1-A16-6,7,8
8	46-243775G807	2	CABLE	1	RUN 701, MR2-A11-J15 TO RF DOOR SW
27	46-258431G810	2	CABLE ASM	1	(702M) MR2-A11-J18 TO MR1-A7-J5
28	46-317068G809	2	CABLE	1	(703V) MR2-A11-J23 TO MR1-PD1-J2
30	46-301125G98	2	CABLE ASM	1	(229T) MR2-A11-J1 TO MR1-A7-J3
32	46-328000G100	2	CABLE ASM	1	(231) MR2-A11-J2 TO PP1-J8
34	46-328000G102	2	CABLE ASM	1	(233/499) MR2-A11-J5 TO PP1-J7 OR
61	46-317068G315	2	CABLE	1	(260V/700V)MG2/MG3-A17-J2 TO PP1-J7/
63	46-258431G124	2	CABLE	1	(262M) PP1-J8 TO MG3-A3-A5-OUT
83	46-258431G481	2	CABLE	1	(282M) MG3-A2-J6 TO PP1-J12
97	46-271692G1	2	CABLE ASM	1	RUN 296, FACILITY DISCON. TO PP1-J18
98	46-271693G1	2	CABLE ASM	1	RUN 297, EMERGENCY OFF SW TO PP1-J18
119	46-317068G95	2	CABLE	1	(318V) MG3-A7 TO PP1-J11
159	46-258431G902	2	CABLE	1	(768M) PP1-J20 TO MR1-A7-J31
161	46-258431G905	2	CABLE	1	(771M) PP1-J47 TO MR1-A7-J36
162	46-258431G531	2	CABLE	1	(387M) PP1-J47 TO MG2-A29-J1
163	46-258431G904	2	CABLE	1	(770M) PP1-J11 TO MR1-A7-J41
164	46-258431G903	2	CABLE	1	(769M) PP1-J15 TO MR1-A7-J34
178	46-258431G908	2	CABLE ASM	1	(774M) MR2-A11-J25 TO MR1-A7-J32
192	46-317068G808	2	CABLE	1	(706V) MR1-PD1-J3 TO MR2-A11-J14
203	46-258431G916	2	CABLE ASM	1	(778M) MG2-A12-A13-J3 TO PP1-A11-J72
204	46-258431G917	2	CABLE ASM	1	(779M) MG2-A12-A13-J4 TO PP1-A11-J73
205	46-258431G918	2	CABLE ASM	1	(780M) MG3-A3-A1-J6 TO PP1-A11-J74
206	46-258431G919	2	CABLE ASM	1	(781M) MG2-A12-A12-J5 TO PP1-A11-J75
207	46-258431G920	2	CABLE ASM	1	(782M) MG2-A12-A12-J6 TO PP1-A11-J76
228	46-258431G906	2	CABLE	1	(772M) PP1-J14 TO MR1-A7-J40
229	46-317068G822	2	CABLE	1	(715V) MG2-A33-J1 TO PP1-J14
230	46-258431G907	2	CABLE	1	(773M) PP1-A17-J1 TO MR1-A7-J35
231	46-317068G931	2	CABLE ASM	1	(716V) MG2-A11-A1-J2 TO PP1-J89
232	2123533-4	2	CABLE	1	(783TR) MR1-A7-J37 TO PP1-F5/F6, 65'
233	2123534	2	POWER CABLE	1	(784) PP1-F5/F6 TO MG6-J1, 25'
234	2123535-4	2	POWER CABLE	1	(785TR) MR1-A7-J18 TO PP1-F7/F8, 65'
235	2123536	2	POWER CABLE	1	(786) PP1-F7/F8 TO MG6-J2, 25'
238	46-317068G913	2	CABLE ASM	1	(777V)MR1-A7-J43 TO PP1-A11-J94
239	46-317068G914	2	CABLE ASM	1	(776V)MR1-A7-J44 TO PP1-A11-J93
240	46-317068G915	2	CABLE ASM	1	(775V)MR1-A7-J42 TO PP1-A11-J92
250	46-328000G763	2	CABLE ASM	1	(486) PP1-A14-J85/MR2-A11-J85 TO
251	46-317068G764	2	CABLE ASM	1	(487V)MR1-A7-J20 TO PP1-A15-J78
252	46-317068G765	2	CABLE ASM	1	(488V)MR2-A11-J8 TO PP1-J80
253	46-317068G766	2	CABLE ASM	1	(489V)MR2-A11-J9 TO PP1-J81
254	46-317068G767	2	CABLE ASM	1	(490V)MR2-A11-J10 TO PP1-J82
255	46-317068G768	2	CABLE	1	(491V) PP1-J80 TO MG3-A36-J7
256	46-317068G769	2	CABLE	1	(492V) PP1-J81 TO MG3-A36-J8
257	46-317068G770	2	CABLE	1	(493V) PP1-J82 TO MG3-A36-J9
258	46-317068G771	2	CABLE	1	(494V) PP1-A14-J87 TO MG3-A36-J6
259	46-317068G772	2	CABLE	1	(495V) PP1-A15-J78 TO MG3-A36-J10
260	46-317068G831	2	CABLE ASM	1	(726V) MR1-A7-J18 TO PP1-A16-J77
261	46-317068G832	2	CABLE	1	(727V) PP1-A16-J77 TO MG3-A36-J5
263	46-317068G858	2	CABLE	1	(742V) MR2-A11-J86 TO PP1-A14-J86
264	46-317068G857	2	CABLE	1	(741V) MR2-A11-J87 TO PP1-A14-J87
265	46-243775G859	2	CABLE	1	MR2-A11-J84 TO MR2-A11-J5
267	46-258431G937	2	CABLE	1	(788M) PP1-J12 TO OW1-A1-A2-J7
268	46-258431G938	2	CABLE	1	(789M) MR2-A11-J26 TO OW1-A1-A2-J18
269	46-258431G939	2	CABLE	1	(791M)MR2-A11-J30 TO OW1-A2-A4-EXP1

ACGD FIXED SITE CABLES

46-258771G47 FRU N

(PART OF 46-282429G98 PAGE 1-192)

(PART OF 46-282429G99 PAGE 1-192)

Item	Part Number	FRU	Name	Quantity	Description (Remarks)
5	2198993	2	CABLE	1	(818) MR2-A11-J31 TO OW1-A16-6,7,8
8	46-301125G807	2	CABLE	1	(701T) MR2-A11-J15 TO RF DOOR SWITCH
27	46-258431G810	2	CABLE ASM	1	(702M) MR2-A11-J18 TO MR1-A7-J5
28	46-258431G941	N	CABLE	1	(971M)MR3-PD1-J2 TO MR2-A11-J23
30	46-301125G98	2	CABLE ASM	1	(229T) MR2-A11-J1 TO MR1-A7-J3
32	46-301125G100	2	CABLE ASM	1	(231T) MR2-A11-J2 TO PP1-J8
34	46-301125G102	2	CABLE	1	(233T/499T) MR2-A11-J5 TO PP1-J7 OR
61	46-328000G315	2	CABLE	1	(260/700) PP1-J7 OR PP1-A14-J86 TO
63	46-328000G124	2	CABLE	1	(262) PP1-J8 TO MG3-A3-A5-OUT
83	46-328000G481	2	CABLE	1	(282) MG3-A2-J6 TO PP1-J12
97	46-271692G601	2	CABLE ASM	1	(296T) PP1-J18 TO FACILITY DISCONN
98	46-271693G1	2	CABLE ASM	1	RUN 297, EMERGENCY OFF SW TO PP1-J18
119	46-328000G95	2	CABLE	1	(318) MG3-A7 TO PP1-J11
159	46-328000G902	2	CABLE	1	(768TR) PP1-J20 TO MR1-A7-J31
161	46-328000G905	2	CABLE	1	(771TR) PP1-J47 TO MR1-A7-J36
162	46-328000G531	2	CABLE	1	(387) MG2-A29-J1 TO PP1-J47
163	46-328000G904	2	CABLE	1	(770) PP1-J11 TO MR1-A7-J41
164	46-328000G903	2	CABLE	1	(769) PP1-J15 TO MR1-A7-J34
178	46-258431G908	2	CABLE ASM	1	(774M) MR2-A11-J25 TO MR1-A7-J32
192	46-258431G940	N	CABLE	1	(972M)MR3-PD1-J3 TO MR2-A11-J14
203	46-328000G916	2	CABLE	1	(778) MG2-A12-A13-J3 TO PP1-A11-J72
204	46-328000G917	2	CABLE	1	(779) MG2-A12-A13-J4 TO PP1-A11-J73
205	46-328000G918	2	CABLE	1	(780) MG3-A3-A1-J6 TO PP1-A11-J74
206	46-328000G919	2	CABLE	1	(781) MG2-A12-A12-J5 TO PP1-A11-J75
207	46-328000G920	2	CABLE	1	(782) MG2-A12-A12-J6 TO PP1-A11-J76
228	46-328000G906	2	CABLE	1	(772) PP1-J14 TO MR1-A7-J40
229	46-301125G822	2	CABLE	1	(715T) MG2-A33-J1 TO PP1-J14
230	46-328000G907	2	CABLE	1	(773) PP1-A17-J1 TO MR1-A7-J35
231	46-317359G931	2	CABLE	1	(716TR) MG2-A11-A1-J2 TO PP1-J89
232	2123533	2	POWER CABLE	1	(783) MR1-A7-J37 TO PP1-F5/F6, 30'
233	2123534-2	2	POWER CABLE	1	(784M) PP1-F5/F6 TO MG6-J1, 40'
234	2123535	2	POWER CABLE	1	(785) MR1-A7-J18 TO PP1-F7/F8, 30'
235	2123536-2	2	POWER CABLE	1	(786M) PP1-F7/F8 TO MG6-J2, 40'
238	46-328000G913	2	CABLE	1	(777) MR1-A7-J43 TO PP1-A11-J94
239	46-328000G914	2	CABLE	1	(776) MR1-A7-J44 TO PP1-A11-J93
240	46-328000G915	2	CABLE	1	(775) MR1-A7-J42 TO PP1-A11-J92
250	46-301125G763	2	CABLE	1	(486T) PP1-A14-J85/MR2-A11-J85 TO
251	46-301125G764	2	CABLE ASM	1	(487T) MR1-A7-J20 TP PP1-A15-J78
252	46-301125G765	2	CABLE ASM	1	(488T) MR2-A11-J8 TO PP1-J80
253	46-301125G766	2	CABLE ASM	1	(489T) MR2-A11-J9 TO PP1-J81
254	46-301125G767	2	CABLE ASM	1	(490T) MR2-A11-J10 TO PP1-J82
255	46-243775G768	2	CABLE	1	RUN 491, PP1-J80 TO MG3-A36-J7
256	46-243775G769	2	CABLE	1	RUN 492, PP1-J81 TO MG3-A36-J8
257	46-243775G770	2	CABLE	1	RUN 493, PP1-J82 TO MG3-A36-J9
258	46-243775G771	2	CABLE	1	RUN 494, PP1-A14-J87 TO MG3-A36-J6
259	46-243775G772	2	CABLE	1	RUN 495, PP1-A15-J78 TO MG3-A36-J10
260	46-301125G831	2	CABLE ASM	1	(726T)MR1-A7-J18 TO PP1-A16-J77
261	46-243775G832	2	CABLE	1	RUN 727, PP1-A16-J77 TO MG3-A36-J5
267	46-328000G937	2	ASSEMBLY	1	(788)PP1-J12 TO OW1-A1-A2-J7
268	46-328000G938	2	ASSEMBLY	1	(789)MR2-A11-J26 TO OW1-A1-A2-J18
269	46-328000G939	2	ASSEMBLY	1	(791) MR2-A11-J30 TO OW1-A2-A4-EXP1

ACGD T/R SITE CABLES

46-258771G48 FRU N

(PART OF 46-282429G100 PAGE 1-192)

(PART OF 46-282429G101 PAGE 1-192)

Item	Part Number	FRU	Name	Quantity	Description (Remarks)
5	2198993	2	CABLE	1	(818) MR2-A11-J31 TO OW1-A16-6,7,8
8	46-243775G807	2	CABLE	1	RUN 701, MR2-A11-J15 TO RF DOOR SW
27	46-243775G810	2	CABLE	1	RUN 702, MR2-A11-J18 TO MR1-A7-J5
28	46-301125G941	N	CABLE	1	(703T) MR2-A11-J23 TO MR3-PD1-J2
30	46-243775G98	2	CABLE	1	RUN 229, MR2-A11-J1 TO MR1-A7-J3
32	46-317359G100	2	CABLE	1	(231TR) MR2-A11-J2 TO PP1-J8
34	46-317359G102	2	CABLE	1	(233TR/499TR) MR2-A11-J5 TO PP1-A14-
61	46-317068G315	2	CABLE	1	(260V/700V)MG2/MG3-A17-J2 TO PP1-J7/
63	46-258431G124	2	CABLE	1	(262M) PP1-J8 TO MG3-A3-A5-OUT
83	46-258431G481	2	CABLE	1	(282M) MG3-A2-J6 TO PP1-J12
97	46-271692G1	2	CABLE ASM	1	RUN 296, FACILITY DISCON. TO PP1-J18
98	46-271693G1	2	CABLE ASM	1	RUN 297, EMERGENCY OFF SW TO PP1-J18
119	46-317068G95	2	CABLE	1	(318V) MG3-A7 TO PP1-J11
159	46-317359G902	2	CABLE	1	(768TR) PP1-J20 TO MR1-A7-J31
161	46-317359G905	2	CABLE	1	(771TR) PP1-J47 TO MR1-A7-J36
162	46-258431G531	2	CABLE	1	(387M) PP1-J47 TO MG2-A29-J1
163	46-317359G904	2	CABLE	1	(770TR) PP1-J11 TO MR1-A7-J41
164	46-317359G903	2	CABLE	1	(769TR) PP1-J15 TO MR1-A7-J34
178	46-328000G908	2	CABLE	1	(774) MR2-A11-J25 TO MR1-A7-J32
192	46-301125G940	N	CABLE	1	(706T) MR3-PD1-J3 TO MR2-A11-J14
203	46-258431G916	2	CABLE ASM	1	(778M) MG2-A12-A13-J3 TO PP1-A11-J72
204	46-258431G917	2	CABLE ASM	1	(779M) MG2-A12-A13-J4 TO PP1-A11-J73
205	46-258431G918	2	CABLE ASM	1	(780M) MG3-A3-A1-J6 TO PP1-A11-J74
206	46-258431G919	2	CABLE ASM	1	(781M) MG2-A12-A12-J5 TO PP1-A11-J75
207	46-258431G920	2	CABLE ASM	1	(782M) MG2-A12-A12-J6 TO PP1-A11-J76
228	46-301125G906	2	CABLE	1	(772T) PP1-J14 TO MR1-A7-J40
229	46-317068G822	2	CABLE	1	(715V) MG2-A33-J1 TO PP1-J14
230	46-301125G907	2	CABLE	1	(773T) PP1-A17-J1 TO MR1-A7-J35
231	46-317068G931	2	CABLE ASM	1	(716V) MG2-A11-A1-J2 TO PP1-J89
232	2123533-3	2	POWER CABLE	1	(783T) MR1-A7-J37 TO PP1-F5/F6, 80'
233	2123534	2	POWER CABLE	1	(784) PP1-F5/F6 TO MG6-J1, 25'
234	2123535-3	2	POWER CABLE	1	(785T) MR1-A7-J18 TO PP1-F7/F8, 80'
235	2123536	2	POWER CABLE	1	(786) PP1-F7/F8 TO MG6-J2, 25'
238	46-301125G913	2	CABLE	1	(777T) MR1-A7-J43 TO PP1-A11-J94
239	46-301125G914	2	CABLE	1	(776T) MR1-A7-J44 TO PP1-A11-J93
240	46-301125G915	2	CABLE	1	(775T) MR1-A7-J42 TO PP1-A11-J92
250	46-328000G763	2	CABLE ASM	1	(486) PP1-A14-J85/MR2-A11-J85 TO
251	46-258431G764	2	CABLE	1	(487M) MR1-A7-J20 TO PP1-A15-J78
252	46-258431G765	2	CABLE	1	(488M) MR2-A11-J8 TO PP1-J80
253	46-258431G766	2	CABLE	1	(489M) MR2-A11-J9 TO PP1-J81
254	46-258431G767	2	CABLE	1	(490M) MR2-A11-J10 TO PP1-J82
255	46-317068G768	2	CABLE	1	(491V) PP1-J80 TO MG3-A36-J7
256	46-317068G769	2	CABLE	1	(492V) PP1-J81 TO MG3-A36-J8
257	46-317068G770	2	CABLE	1	(493V) PP1-J82 TO MG3-A36-J9
258	46-317068G771	2	CABLE	1	(494V) PP1-A14-J87 TO MG3-A36-J6
259	46-317068G772	2	CABLE	1	(495V) PP1-A15-J78 TO MG3-A36-J10
260	46-258431G831	2	CABLE	1	(726M) MR1-A7-J18 TO PP1-A16-J77
261	46-301125G832	2	CABLE	1	(727T) PP1-A16-J77 TO MG3-A36-J5
263	46-317359G858	2	CABLE ASM	1	(742TR) MR2-A11-J86 TO PP1-A14-J86
264	46-258431G857	2	CABLE	1	(741M) MR2-A11-J87 TO PP1-A14-J87
265	46-243775G859	2	CABLE	1	MR2-A11-J84 TO MR2-A11-J5
267	46-258431G937	2	CABLE	1	(788M) PP1-J12 TO OW1-A1-A2-J7
268	46-301125G938	2	CABLE	1	(789T) MR2-A11-J26 TO OW1-A1-A2-J18
269	46-301125G939	2	CABLE	1	(791T) MR2-A11-J30 TO OW1-A2-A4-EXP1

ACGD MOBILE SYSTEM CABLES 46-258771G49 FRU N

(PART OF 46-282429G102 PAGE 1-193)
(PART OF 46-282429G103 PAGE 1-193)

Item	Part Number	FRU	Name	Quantity	Description (Remarks)
5	2198993	2	CABLE	1	(818) MR2-A11-J31 TO OW1-A16-6,7,8
8	46-243775G807	2	CABLE	1	RUN 701, MR2-A11-J15 TO RF DOOR SW
27	46-258431G810	2	CABLE ASM	1	(702M) MR2-A11-J18 TO MR1-A7-J5
28	46-317068G941	N	CABLE	1	(703V) MR2-A11-J23 TO MR3-PD1-J2
30	46-301125G98	2	CABLE ASM	1	(229T) MR2-A11-J1 TO MR1-A7-J3
32	46-328000G100	2	CABLE ASM	1	(231) MR2-A11-J2 TO PP1-J8
34	46-328000G102	2	CABLE ASM	1	(233/499) MR2-A11-J5 TO PP1-J7 OR
61	46-317068G315	2	CABLE	1	(260V/700V)MG2/MG3-A17-J2 TO PP1-J7/
63	46-258431G124	2	CABLE	1	(262M) PP1-J8 TO MG3-A3-A5-OUT
83	46-258431G481	2	CABLE	1	(282M) MG3-A2-J6 TO PP1-J12
97	46-271692G1	2	CABLE ASM	1	RUN 296, FACILITY DISCON. TO PP1-J18
98	46-271693G1	2	CABLE ASM	1	RUN 297, EMERGENCY OFF SW TO PP1-J18
119	46-317068G95	2	CABLE	1	(318V) MG3-A7 TO PP1-J11
159	46-258431G902	2	CABLE	1	(768M) PP1-J20 TO MR1-A7-J31
161	46-258431G905	2	CABLE	1	(771M) PP1-J47 TO MR1-A7-J36
162	46-258431G531	2	CABLE	1	(387M) PP1-J47 TO MG2-A29-J1
163	46-258431G904	2	CABLE	1	(770M) PP1-J11 TO MR1-A7-J41
164	46-258431G903	2	CABLE	1	(769M) PP1-J15 TO MR1-A7-J34
178	46-258431G908	2	CABLE ASM	1	(774M) MR2-A11-J25 TO MR1-A7-J32
192	46-317068G940	N	CABLE	1	(706V) MR3-PD1-J3 TO MR2-A11-J14
203	46-258431G916	2	CABLE ASM	1	(778M) MG2-A12-A13-J3 TO PP1-A11-J72
204	46-258431G917	2	CABLE ASM	1	(779M) MG2-A12-A13-J4 TO PP1-A11-J73
205	46-258431G918	2	CABLE ASM	1	(780M) MG3-A3-A1-J6 TO PP1-A11-J74
206	46-258431G919	2	CABLE ASM	1	(781M) MG2-A12-A12-J5 TO PP1-A11-J75
207	46-258431G920	2	CABLE ASM	1	(782M) MG2-A12-A12-J6 TO PP1-A11-J76
228	46-258431G906	2	CABLE	1	(772M) PP1-J14 TO MR1-A7-J40
229	46-317068G822	2	CABLE	1	(715V) MG2-A33-J1 TO PP1-J14
230	46-258431G907	2	CABLE	1	(773M) PP1-A17-J1 TO MR1-A7-J35
231	46-317068G931	2	CABLE ASM	1	(716V) MG2-A11-A1-J2 TO PP1-J89
232	2123533-4	2	CABLE	1	(783TR) MR1-A7-J37 TO PP1-F5/F6, 65'
233	2123534	2	POWER CABLE	1	(784) PP1-F5/F6 TO MG6-J1, 25'
234	2123535-4	2	POWER CABLE	1	(785TR) MR1-A7-J18 TO PP1-F7/F8, 65'
235	2123536	2	POWER CABLE	1	(786) PP1-F7/F8 TO MG6-J2, 25'
238	46-317068G913	2	CABLE ASM	1	(777V)MR1-A7-J43 TO PP1-A11-J94
239	46-317068G914	2	CABLE ASM	1	(776V)MR1-A7-J44 TO PP1-A11-J93
240	46-317068G915	2	CABLE ASM	1	(775V)MR1-A7-J42 TO PP1-A11-J92
250	46-328000G763	2	CABLE ASM	1	(486) PP1-A14-J85/MR2-A11-J85 TO
251	46-317068G764	2	CABLE ASM	1	(487V)MR1-A7-J20 TO PP1-A15-J78
252	46-317068G765	2	CABLE ASM	1	(488V)MR2-A11-J8 TO PP1-J80
253	46-317068G766	2	CABLE ASM	1	(489V)MR2-A11-J9 TO PP1-J81
254	46-317068G767	2	CABLE ASM	1	(490V)MR2-A11-J10 TO PP1-J82
255	46-317068G768	2	CABLE	1	(491V) PP1-J80 TO MG3-A36-J7
256	46-317068G769	2	CABLE	1	(492V) PP1-J81 TO MG3-A36-J8
257	46-317068G770	2	CABLE	1	(493V) PP1-J82 TO MG3-A36-J9
258	46-317068G771	2	CABLE	1	(494V) PP1-A14-J87 TO MG3-A36-J6
259	46-317068G772	2	CABLE	1	(495V) PP1-A15-J78 TO MG3-A36-J10
260	46-317068G831	2	CABLE ASM	1	(726V) MR1-A7-J18 TO PP1-A16-J77
261	46-317068G832	2	CABLE	1	(727V) PP1-A16-J77 TO MG3-A36-J5
263	46-317068G858	2	CABLE	1	(742V) MR2-A11-J86 TO PP1-A14-J86
264	46-317068G857	2	CABLE	1	(741V) MR2-A11-J87 TO PP1-A14-J87
265	46-243775G859	2	CABLE	1	MR2-A11-J84 TO MR2-A11-J5
267	46-258431G937	2	CABLE	1	(788M) PP1-J12 TO OW1-A1-A2-J7
268	46-258431G938	2	CABLE	1	(789M) MR2-A11-J26 TO OW1-A1-A2-J18
269	46-258431G939	2	CABLE	1	(791M)MR2-A11-J30 TO OW1-A2-A4-EXP1

TwinSPEED FIXED SITE CABLES 46-258771G50 FRU N

(PART OF M3043TA PAGE 1-74)

Item	Part Number	FRU	Name	Quantity	Description (Remarks)
5	2198993	N	CABLE	1	(818) MR2-A11-J31 TO OW1-A16-6,7,8
8	46-301125G807	N	CABLE	1	(701T) MR2-A11-J15 TO RF DOOR SWITCH
27	46-258431G810	N	CABLE ASM	1	(702M) MR2-A11-J18 TO MR1-A7-J5
28	46-258431G809	N	CABLE	1	(703/971) MR2-A11-J23 TO MR1-PD1-J2/
30	46-301125G98	N	CABLE ASM	1	(229T) MR2-A11-J1 TO MR1-A7-J3 OR
32	46-301125G100	N	CABLE ASM	1	(231T) MR2-A11-J2 TO PP1-J8
34	46-301125G102	N	CABLE	1	(233T/499T) MR2-A11-J5 TO PP1-J7 OR
61	46-328000G315	N	CABLE	1	(260/700) PP1-J7 OR PP1-A14-J86 TO
63	46-328000G124	N	CABLE	1	(262) PP1-J8 TO MG3-A3-A5-OUT
83	46-328000G481	N	CABLE	1	(282) MG3-A2-J6 TO PP1-J12
97	46-271692G601	N	CABLE ASM	1	(296T) PP1-J18 TO FACILITY DISCONN
98	46-271693G1	N	CABLE ASM	1	(297) EMERGENCY OFF SW TO PP1-J18
119	46-328000G95	N	CABLE	1	(318) MG3-A7 TO PP1-J11
159	46-328000G902	N	CABLE	1	(768TR) PP1-J20 TO MR1-A7-J31
161	46-328000G905	N	CABLE	1	(771TR) PP1-J47 TO MR1-A7-J36
162	46-328000G531	N	CABLE	1	(387) MG2-A29-J1 TO PP1-J47
163	46-328000G904	N	CABLE	1	(770) PP1-J11 TO MR1-A7-J41
164	46-328000G903	N	CABLE	1	(769) PP1-J15 TO MR1-A7-J34
178	46-258431G908	N	CABLE ASM	1	(774M) MR2-A11-J25 TO MR1-A7-J32
192	46-258431G808	N	CABLE	1	(706/972) MR2-A11-J14 TO PD1-A14-A1-
203	46-328000G916	N	CABLE	1	(778) MG2-A12-A13-J3 TO PP1-A11-J72
204	46-328000G917	N	CABLE	1	(779) MG2-A12-A13-J4 TO PP1-A11-J73
205	46-328000G918	N	CABLE	1	(780) MG3-A3-A1-J6 TO PP1-A11-J74
206	46-328000G919	N	CABLE	1	(781) MG2-A12-A12-J5 TO PP1-A11-J75
207	46-328000G920	N	CABLE	1	(782) MG2-A12-A12-J6 TO PP1-A11-J76
228	46-328000G906	N	CABLE	1	(772) PP1-J14 TO MR1-A7-J40
229	46-301125G822	N	CABLE	1	(715T) MG2-A33-J1 TO PP1-J14
230	46-328000G907	N	CABLE	1	(773) PP1-A17-J1 TO MR1-A7-J35
231	46-317359G931	N	CABLE	1	(716TR) MG2-A11-A1-J2 TO PP1-J89
232	2123533	N	POWER CABLE	1	(783) MR1-A7-J37 TO PP1-F5/F6, 30'
233	2123534-2	N	POWER CABLE	1	(784M) PP1-F5/F6 TO MG6-J1, 40'
238	46-328000G913	N	CABLE	1	(777) MR1-A7-J43 TO PP1-A11-J94
239	46-328000G914	N	CABLE	1	(776) MR1-A7-J44 TO PP1-A11-J93
240	46-328000G915	N	CABLE	1	(775) MR1-A7-J42 TO PP1-A11-J92
250	46-301125G763	N	CABLE	1	(486T) PP1-A14-J85/MR2-A11-J85 TO
251	46-301125G764	N	CABLE ASM	1	(487T) MR1-A7-J20 TP PP1-A15-J78
252	46-301125G765	N	CABLE ASM	1	(488T) MR2-A11-J8 TO PP1-J80
253	46-301125G766	N	CABLE ASM	1	(489T) MR2-A11-J9 TO PP1-J81
254	46-301125G767	N	CABLE ASM	1	(490T) MR2-A11-J10 TO PP1-J82
255	46-243775G768	N	CABLE	1	(491) PP1-J80 TO MG3-A36-J7
256	46-243775G769	N	CABLE	1	(492) PP1-J81 TO MG3-A36-J8
257	46-243775G770	N	CABLE	1	(493) PP1-J82 TO MG3-A36-J9
258	46-243775G771	N	CABLE	1	(494) PP1-A14-J87 TO MG3-A36-J6
259	46-243775G772	N	CABLE	1	(495) PP1-A15-J78 TO MG3-A36-J10
260	46-301125G831	N	CABLE ASM	1	(726T)MR1-A7-J18 TO PP1-A16-J77
261	46-243775G832	N	CABLE	1	(727) PP1-A16-J77 TO MG3-A36-J5
267	46-328000G937	N	ASSEMBLY	1	(788)PP1-J12 TO OW1-A1-A2-J7
268	46-328000G938	N	ASSEMBLY	1	(789)MR2-A11-J26 TO OW1-A1-A2-J18
269	46-328000G939	N	ASSEMBLY	1	(791) MR2-A11-J30 TO OW1-A2-A4-EXP1
270	2263200-91	N	CABLE COLL	1	(974) MR3CABI/F GIP TO TAC-J12
271	2283297	N	CABLE	3	(988) W4-AMPL TO FILTER GND CABLE
274	2288898	N	CABLE	1	(992) TAC J2 TO TSCC J3
276	2315915	N	CABLE PT	1	MR3GP-J16 TO MR3PDU-J4 ACGD/PDU

TwinSPEED MOBILE SITE CABLES 46-258771G52 FRU N

(PART OF M3053TA PAGE 1-74)

Item	Part Number	FRU	Name	Quantity	Description (Remarks)
5	2198993	N	CABLE	1	(818) MR2-A11-J31 TO OW1-A16-6,7,8
8	46-243775G807	N	CABLE	1	RUN 701, MR2-A11-J15 TO RF DOOR SW
27	46-258431G810	N	CABLE ASM	1	(702M) MR2-A11-J18 TO MR1-A7-J5
28	46-317068G941	N	CABLE	1	(703V) MR2-A11-J23 TO MR3-PD1-J2
30	46-301125G98	N	CABLE ASM	1	(229T) MR2-A11-J1 TO MR1-A7-J3 OR
32	46-328000G100	N	CABLE ASM	1	(231) MR2-A11-J2 TO PP1-J8
34	46-328000G102	N	CABLE ASM	1	(233/499) MR2-A11-J5 TO PP1-J7 OR
61	46-317068G315	N	CABLE	1	(260V/700V)MG2/MG3-A17-J2 TO PP1-J7/
63	46-258431G124	N	CABLE	1	(262M) PP1-J8 TO MG3-A3-A5-OUT
83	46-258431G481	N	CABLE	1	(282M) MG3-A2-J6 TO PP1-J12
97	46-271692G1	N	CABLE ASM	1	RUN 296, FACILITY DISCON. TO PP1-J18
98	46-271693G1	N	CABLE ASM	1	(297) EMERGENCY OFF SW TO PP1-J18
119	46-317068G95	N	CABLE	1	(318V) MG3-A7 TO PP1-J11
159	46-258431G902	N	CABLE	1	(768M) PP1-J20 TO MR1-A7-J31
161	46-258431G905	N	CABLE	1	(771M) PP1-J47 TO MR1-A7-J36
162	46-258431G531	N	CABLE	1	(387M) PP1-J47 TO MG2-A29-J1
163	46-258431G904	N	CABLE	1	(770M) PP1-J11 TO MR1-A7-J41
164	46-258431G903	N	CABLE	1	(769M) PP1-J15 TO MR1-A7-J34
178	46-258431G908	N	CABLE ASM	1	(774M) MR2-A11-J25 TO MR1-A7-J32
192	46-317068G940	N	CABLE	1	(706V) MR3-PD1-J3 TO MR2-A11-J14
203	46-258431G916	N	CABLE ASM	1	(778M) MG2-A12-A13-J3 TO PP1-A11-J72
204	46-258431G917	N	CABLE ASM	1	(779M) MG2-A12-A13-J4 TO PP1-A11-J73
205	46-258431G918	N	CABLE ASM	1	(780M) MG3-A3-A1-J6 TO PP1-A11-J74
206	46-258431G919	N	CABLE ASM	1	(781M) MG2-A12-A12-J5 TO PP1-A11-J75
207	46-258431G920	N	CABLE ASM	1	(782M) MG2-A12-A12-J6 TO PP1-A11-J76
228	46-258431G906	N	CABLE	1	(772M) PP1-J14 TO MR1-A7-J40
229	46-317068G822	N	CABLE	1	(715V) MG2-A33-J1 TO PP1-J14
230	46-258431G907	N	CABLE	1	(773M) PP1-A17-J1 TO MR1-A7-J35
231	46-317068G931	N	CABLE ASM	1	(716V) MG2-A11-A1-J2 TO PP1-J89
232	2123533-4	N	CABLE	1	(783TR) MR1-A7-J37 TO PP1-F5/F6, 65'
233	2123534	N	POWER CABLE	1	(784) PP1-F5/F6 TO MG6-J1, 25'
238	46-317068G913	N	CABLE ASM	1	(777V)MR1-A7-J43 TO PP1-A11-J94
239	46-317068G914	N	CABLE ASM	1	(776V)MR1-A7-J44 TO PP1-A11-J93
240	46-317068G915	N	CABLE ASM	1	(775V)MR1-A7-J42 TO PP1-A11-J92
250	46-328000G763	N	CABLE ASM	1	(486) PP1-A14-J85/MR2-A11-J85 TO
251	46-317068G764	N	CABLE ASM	1	(487V)MR1-A7-J20 TO PP1-A15-J78
252	46-317068G765	N	CABLE ASM	1	(488V)MR2-A11-J8 TO PP1-J80
253	46-317068G766	N	CABLE ASM	1	(489V)MR2-A11-J9 TO PP1-J81
254	46-317068G767	N	CABLE ASM	1	(490V)MR2-A11-J10 TO PP1-J82
255	46-317068G768	N	CABLE	1	(491V) PP1-J80 TO MG3-A36-J7
256	46-317068G769	N	CABLE	1	(492V) PP1-J81 TO MG3-A36-J8
257	46-317068G770	N	CABLE	1	(493V) PP1-J82 TO MG3-A36-J9
258	46-317068G771	N	CABLE	1	(494V) PP1-A14-J87 TO MG3-A36-J6
259	46-317068G772	N	CABLE	1	(495V) PP1-A15-J78 TO MG3-A36-J10
260	46-317068G831	N	CABLE ASM	1	(726V) MR1-A7-J18 TO PP1-A16-J77
261	46-317068G832	N	CABLE	1	(727V) PP1-A16-J77 TO MG3-A36-J5
267	46-258431G937	N	CABLE	1	(788M) PP1-J12 TO OW1-A1-A2-J7
268	46-258431G938	N	CABLE	1	(789M) MR2-A11-J26 TO OW1-A1-A2-J18
269	46-258431G939	N	CABLE	1	(791M)MR2-A11-J30 TO OW1-A2-A4-EXP1
270	2263200-91	N	CABLE COLL	1	(974) MR3CABI/F GIP TO TAC-J12
271	2283297-2	N	CABLE	3	(988M) W4-AMPL TO FILTER GND CABLE
274	2288898-2	N	CABLE	1	(992M) TAC J2 TO TSCC J3
276	2315915	N	CABLE PT	1	MR3GP-J16 TO MR3PDU-J4 ACGD/PDU

TwinSPEED T/R SITE CABLES 46-258771G53 FRU N (PART OF M3063TA PAGE 1-75)

Item	Part Number	FRU	Name	Quantity	Description (Remarks)
5	2198993	N	CABLE	1	(818) MR2-A11-J31 TO OW1-A16-6,7,8
8	46-243775G807	N	CABLE	1	RUN 701, MR2-A11-J15 TO RF DOOR SW
27	46-243775G810	N	CABLE	1	(702) MR2-A11-J18 TO MR1-A7-J5
28	46-301125G941	N	CABLE	1	(703T) MR2-A11-J23 TO MR3-PD1-J2
30	46-243775G98	N	CABLE	1	RUN 229, MR2-A11-J1 TO MR1-A7-J3
32	46-317359G100	N	CABLE	1	(231TR) MR2-A11-J2 TO PP1-J8
34	46-317359G102	N	CABLE	1	(233TR/499TR) MR2-A11-J5 TO PP1-A14-
61	46-317068G315	N	CABLE	1	(260V/700V)MG2/MG3-A17-J2 TO PP1-J7/
63	46-258431G124	N	CABLE	1	(262M) PP1-J8 TO MG3-A3-A5-OUT
83	46-258431G481	N	CABLE	1	(282M) MG3-A2-J6 TO PP1-J12
97	46-271692G1	N	CABLE ASM	1	RUN 296, FACILITY DISCON. TO PP1-J18
98	46-271693G1	N	CABLE ASM	1	(297) EMERGENCY OFF SW TO PP1-J18
119	46-317068G95	N	CABLE	1	(318V) MG3-A7 TO PP1-J11
159	46-317359G902	N	CABLE	1	(768TR) PP1-J20 TO MR1-A7-J31
161	46-317359G905	N	CABLE	1	(771TR) PP1-J47 TO MR1-A7-J36
162	46-258431G531	N	CABLE	1	(387M) PP1-J47 TO MG2-A29-J1
163	46-317359G904	N	CABLE	1	(770TR) PP1-J11 TO MR1-A7-J41
164	46-317359G903	N	CABLE	1	(769TR) PP1-J15 TO MR1-A7-J34
178	46-328000G908	N	CABLE	1	(774) MR2-A11-J25 TO MR1-A7-J32
192	46-301125G940	N	CABLE	1	(706T) MR3-PD1-J3 TO MR2-A11-J14
203	46-258431G916	N	CABLE ASM	1	(778M) MG2-A12-A13-J3 TO PP1-A11-J72
204	46-258431G917	N	CABLE ASM	1	(779M) MG2-A12-A13-J4 TO PP1-A11-J73
205	46-258431G918	N	CABLE ASM	1	(780M) MG3-A3-A1-J6 TO PP1-A11-J74
206	46-258431G919	N	CABLE ASM	1	(781M) MG2-A12-A12-J5 TO PP1-A11-J75
207	46-258431G920	N	CABLE ASM	1	(782M) MG2-A12-A12-J6 TO PP1-A11-J76
228	46-301125G906	N	CABLE	1	(772T) PP1-J14 TO MR1-A7-J40
229	46-317068G822	N	CABLE	1	(715V) MG2-A33-J1 TO PP1-J14
230	46-301125G907	N	CABLE	1	(773T) PP1-A17-J1 TO MR1-A7-J35
231	46-317068G931	N	CABLE ASM	1	(716V) MG2-A11-A1-J2 TO PP1-J89
232	2123533-3	N	POWER CABLE	1	(783T) MR1-A7-J37 TO PP1-F5/F6, 80'
233	2123534	N	POWER CABLE	1	(784) PP1-F5/F6 TO MG6-J1, 25'
238	46-301125G913	N	CABLE	1	(777T) MR1-A7-J43 TO PP1-A11-J94
239	46-301125G914	N	CABLE	1	(776T) MR1-A7-J44 TO PP1-A11-J93
240	46-301125G915	N	CABLE	1	(775T) MR1-A7-J42 TO PP1-A11-J92
250	46-328000G763	N	CABLE ASM	1	(486) PP1-A14-J85/MR2-A11-J85 TO
251	46-258431G764	N	CABLE	1	(487M) MR1-A7-J20 TO PP1-A15-J78
252	46-258431G765	N	CABLE	1	(488M) MR2-A11-J8 TO PP1-J80
253	46-258431G766	N	CABLE	1	(489M) MR2-A11-J9 TO PP1-J81
254	46-258431G767	N	CABLE	1	(490M) MR2-A11-J10 TO PP1-J82
255	46-317068G768	N	CABLE	1	(491V) PP1-J80 TO MG3-A36-J7
256	46-317068G769	N	CABLE	1	(492V) PP1-J81 TO MG3-A36-J8
257	46-317068G770	N	CABLE	1	(493V) PP1-J82 TO MG3-A36-J9
258	46-317068G771	N	CABLE	1	(494V) PP1-A14-J87 TO MG3-A36-J6
259	46-317068G772	N	CABLE	1	(495V) PP1-A15-J78 TO MG3-A36-J10
260	46-258431G831	N	CABLE	1	(726M) MR1-A7-J18 TO PP1-A16-J77
261	46-301125G832	N	CABLE	1	(727T) PP1-A16-J77 TO MG3-A36-J5
267	46-258431G937	N	CABLE	1	(788M) PP1-J12 TO OW1-A1-A2-J7
268	46-301125G938	N	CABLE	1	(789T) MR2-A11-J26 TO OW1-A1-A2-J18
269	46-301125G939	N	CABLE	1	(791T) MR2-A11-J30 TO OW1-A2-A4-EXP1
270	2263200-91	N	CABLE COLL	1	(974) MR3CABI/F GIP TO TAC-J12
271	2283297-3	N	CABLE	3	(988T) W4-AMPL TO FILTER GND CABLE
274	2288898-2	N	CABLE	1	(992M) TAC J2 TO TSCC J3
276	2315915	N	CABLE PT	1	MR3GP-J16 TO MR3PDU-J4 ACGD/PDU

EXCITE 11.x MOB SYS CABLES 46-258771G72 FRU N (PART OF M3153PD PAGE 1-63)

Item	Part Number	FRU	Name	Quantity	Description (Remarks)
8	46-243775G807	N	CABLE	1.0	(701) MR2-A11-J15 TO RF DOOR SW
27	46-258431G810	N	CABLE ASM	1.0	(702M) MR2-A11-J18 TO MR1-A7-J5
28	46-317068G941	N	CABLE	1.0	(703V) MR2-A11-J23 TO MR3-PD1-J2
30	46-301125G98	N	CABLE ASM	1.0	(229T) MR2-A11-J1 TO MR1-A7-J3 OR
32	46-328000G100	N	CABLE ASM	1.0	(231) MR2-A11-J2 TO PP1-J8
34	46-328000G102	N	CABLE ASM	1.0	(233/499) MR2-A11-J5 TO PP1-J7 OR
63	46-258431G124	N	CABLE	1.0	(262M) PP1-J8 TO MG3-A3-A5-OUT
83	46-258431G481	N	CABLE	1.0	(282M) MG3-A2-J6 TO PP1-J12
97	46-271692G1	N	CABLE ASM	1.0	(296) FACILITY DISCONNECT TO PP1-J18
98	46-271693G1	N	CABLE ASM	1.0	(297) EMERGENCY OFF SW TO PP1-J18
119	46-317068G95	N	CABLE	1.0	(318V) MG3-A7 TO PP1-J11
159	46-258431G902	N	CABLE	1.0	(768M) PP1-J20 TO MR1-A7-J31
161	46-258431G905	N	CABLE	1.0	(771M) PP1-J47 TO MR1-A7-J36
162	46-258431G531	N	CABLE	1.0	(387M) PP1-J47 TO MG2-A29-J1
163	46-258431G904	N	CABLE	1.0	(770M) PP1-J11 TO MR1-A7-J41
164	46-258431G903	N	CABLE	1.0	(769M) PP1-J15 TO MR1-A7-J34
178	46-258431G908	N	CABLE ASM	1.0	(774M) MR2-A11-J25 TO MR1-A7-J32
203	46-258431G916	N	CABLE ASM	1.0	(778M) MG2-A12-A2-J3 TO PP1-A11-J72
204	46-258431G917	N	CABLE ASM	1.0	(779M) MG2-A12-A2-J4 TO PP1-A11-J73
205	46-258431G918	N	CABLE ASM	1.0	(780M) MG3-A3-J6 TO PP1-A11-J74
206	46-258431G919	N	CABLE ASM	1.0	(781M) MG2-A12-A2-J5 TO PP1-A11-J75
207	46-258431G920	N	CABLE ASM	1.0	(782M) MG2-A12-A2-J6 TO PP1-A11-J76
228	46-258431G906	N	CABLE	1.0	(772M) PP1-J14 TO MR1-A7-J40
229	46-317068G822	N	CABLE	1.0	(715V) MG2-A33-J1 TO PP1-J14
230	46-258431G907	N	CABLE	1.0	(773M) PP1-A17-J1 TO MR1-A7-J35
231	46-317068G931	N	CABLE ASM	1.0	(716V) MG2-A11-J2 TO PP1-J89
232	2123533-4	N	CABLE	1.0	(783TR) MR1-A7-J37 TO PP1-F5/F6, 65'
233	2123534	N	POWER CABLE	1.0	(784) PP1-F5/F6 TO MG6-J1, 25'
234	2123535-4	N	POWER CABLE	1.0	(785TR) MR1-A7-J18 TO PP1-F7/F8, 65'
235	2123536	N	POWER CABLE	1.0	(786) PP1-F7/F8 TO MG6-J2, 25'
238	46-317068G913	N	CABLE ASM	1.0	(777V)MR1-A7-J43 TO PP1-A11-J94
239	46-317068G914	N	CABLE ASM	1.0	(776V)MR1-A7-J44 TO PP1-A11-J93
240	46-317068G915	N	CABLE ASM	1.0	(775V)MR1-A7-J42 TO PP1-A11-J92
252	46-317068G765	N	CABLE ASM	1.0	(488V)MR2-A11-J8 TO PP1-J80
253	46-317068G766	N	CABLE ASM	1.0	(489V)MR2-A11-J9 TO PP1-J81
254	46-317068G767	N	CABLE ASM	1.0	(490V)MR2-A11-J10 TO PP1-J82
255	46-317068G768	N	CABLE	1.0	(491V) PP1-J80 TO MG3-A36-J7
256	46-317068G769	N	CABLE	1.0	(492V) PP1-J81 TO MG3-A36-J8
257	46-317068G770	N	CABLE	1.0	(493V) PP1-J82 TO MG3-A36-J9
263	46-317068G858	N	CABLE	1.0	(742V) MR2-A11-J86 TO PP1-A14-J86
264	46-317068G857	N	CABLE	1.0	(741V) MR2-A11-J87 TO PP1-A14-J87
265	46-243775G859	N	CABLE	1.0	MR2-A11-J84 TO MR2-A11-J5
267	2363001-8	N	ASSEMBLY	1.0	(1085) OW1-A21-J7 TO PP1-J12
268	2354601-14	N	ASSEMBLY	1.0	(1084) MR1-A11-J26 TO OW1-A21
280	2321257-2	N	PART	1.0	(1025M)MR2A11-J40 TO PP1-J6
281	2321257-5	N	PART	1.0	(1026M)MR2A11-J41 TO PP1-J7
282	2321257-8	N	PART	1.0	(1027M)MR2A11-J42 TO PP1-J58
283	2321257-11	N	PART	1.0	(1028M)MR2A11-J43 TO PP1-J59
284	2329504-2	N	CABLE	1.0	(1029M) MR2A11-J62 TO PP1-J77
285	2329624-2	N	CABLE	1.0	(1030M) PP1-J78 TO MR2-A11-J61
286	2321257-26	N	PART	1.0	(1036M)PP1 -J84TO MG3A36-J6
287	2321257-14	N	PART	1.0	(1037M)PP1 -J6 TO MG3A36-J1
288	2321257-17	N	PART	1.0	(1038M)PP1 -J7 TO MG3A36-J2
289	2321257-20	N	PART	1.0	(1039M)PP1 -J58TO MG3A36-J3
290	2321257-23	N	PART	1.0	(1040M)PP1 -J59TO MG3A36-J4
291	2329505-2	N	CABLE	1.0	(1041M)MG3A36-J10 TO PP1-J78
292	2329504-5	N	CABLE	1.0	(1042M) PP1-J77 TO MG3A36-J5
293	2374705-3	N	CABLE	1.0	(1082) OW-A1-15-ETH SLOT TO MR2-
294	2377248-2	N	CABLE	1.0	(1053) MR2A11J54 TO PP1J85 UTNS
295	2377705-2	N	CABLE	1.0	(1054) MG3A36J20 TO MG2A33J15
300	2377248-5	N	CABLE	1.0	RUN 1057 MG3-A8-J1 TO PP1-J85 UTNS

EXCITE 11.x T/R SYS CABLES 46-258771G73 FRU N (PART OF M3163PD PAGE 1-63)

Item	Part Number	FRU	Name	Quantity	Description (Remarks)
8	46-243775G807	N	CABLE	1.0	(701) MR2-A11-J15 TO RF DOOR SW
27	46-243775G810	N	CABLE	1.0	(702) MR2-A11-J18 TO MR1-J5
28	46-301125G941	N	CABLE	1.0	(703T) MR2-A11-J23 TO MR3-PD1-J2
30	46-243775G98	N	CABLE	1.0	RUN 229, MR2-A11-J1 TO MR1-A7-J3
32	46-317359G100	N	CABLE	1.0	(231TR) MR2-A11-J2 TO PP1-J8
34	46-317359G102	N	CABLE	1.0	(233TR/499TR) MR2-A11-J5 TO PP1-A14-
63	46-258431G124	N	CABLE	1.0	(262M) PP1-J8 TO MG3-A3-A5-OUT
83	46-258431G481	N	CABLE	1.0	(282M) MG3-A2-J6 TO PP1-J12
97	46-271692G1	N	CABLE ASM	1.0	(296) FACILITY DISCONNECT TO PP1-J18
98	46-271693G1	N	CABLE ASM	1.0	(297) EMERGENCY OFF SW TO PP1-J18
119	46-317068G95	N	CABLE	1.0	(318V) MG3-A7 TO PP1-J11
159	46-317359G902	N	CABLE	1.0	(768TR) PP1-J20 TO MR1-A7-J31
161	46-317359G905	N	CABLE	1.0	(771TR) PP1-J47 TO MR1-A7-J36
162	46-258431G531	N	CABLE	1.0	(387M) PP1-J47 TO MG2-A29-J1
163	46-317359G904	N	CABLE	1.0	(770TR) PP1-J11 TO MR1-A7-J41
164	46-317359G903	N	CABLE	1.0	(769TR) PP1-J15 TO MR1-A7-J34
178	46-328000G908	N	CABLE	1.0	(774) MR2-A11-J25 TO MR1-A7-J32
203	46-258431G916	N	CABLE ASM	1.0	(778M) MG2-A12-A2-J3 TO PP1-A11-J72
204	46-258431G917	N	CABLE ASM	1.0	(779M) MG2-A12-A2-J4 TO PP1-A11-J73
205	46-258431G918	N	CABLE ASM	1.0	(780M) MG3-A3-J6 TO PP1-A11-J74
206	46-258431G919	N	CABLE ASM	1.0	(781M) MG2-A12-A2-J5 TO PP1-A11-J75
207	46-258431G920	N	CABLE ASM	1.0	(782M) MG2-A12-A2-J6 TO PP1-A11-J76
228	46-301125G906	N	CABLE	1.0	(772T) PP1-J14 TO MR1-A7-J40
229	46-317068G822	N	CABLE	1.0	(715V) MG2-A33-J1 TO PP1-J14
230	46-301125G907	N	CABLE	1.0	(773T) PP1-A17-J1 TO MR1-A7-J35
231	46-317068G931	N	CABLE ASM	1.0	(716V) MG2-A11-J2 TO PP1-J89
232	2123533-3	N	POWER CABLE	1.0	(783T) MR1-A7-J37 TO PP1-F5/F6, 80'
233	2123534	N	POWER CABLE	1.0	(784) PP1-F5/F6 TO MG6-J1, 25'
234	2123535-3	N	POWER CABLE	1.0	(785T) MR1-A7-J18 TO PP1-F7/F8, 80'
235	2123536	N	POWER CABLE	1.0	(786) PP1-F7/F8 TO MG6-J2, 25'
238	46-301125G913	N	CABLE	1.0	(777T) MR1-A7-J43 TO PP1-A11-J94
239	46-301125G914	N	CABLE	1.0	(776T) MR1-A7-J44 TO PP1-A11-J93
240	46-301125G915	N	CABLE	1.0	(775T) MR1-A7-J42 TO PP1-A11-J92
252	46-258431G765	N	CABLE	1.0	(488M) MR2-A11-J8 TO PP1-J80
253	46-258431G766	N	CABLE	1.0	(489M) MR2-A11-J9 TO PP1-J81
254	46-258431G767	N	CABLE	1.0	(490M) MR2-A11-J10 TO PP1-J82
255	46-317068G768	N	CABLE	1.0	(491V) PP1-J80 TO MG3-A36-J7
256	46-317068G769	N	CABLE	1.0	(492V) PP1-J81 TO MG3-A36-J8
257	46-317068G770	N	CABLE	1.0	(493V) PP1-J82 TO MG3-A36-J9
263	46-317359G858	N	CABLE ASM	1.0	(742TR) MR2-A11-J86 TO PP1-A14-J86
264	46-258431G857	N	CABLE	1.0	(741M) MR2-A11-J87 TO PP1-A14-J87
265	46-243775G859	N	CABLE	1.0	MR2-A11-J84 TO MR2-A11-J5
267	2363001-8	N	ASSEMBLY	1.0	(1085) OW1-A21-J7 TO PP1-J12
268	2354601-14	N	ASSEMBLY	1.0	(1084) MR1-A11-J26 TO OW1-A21
280	2321257-3	N	PART	1.0	(1025T)MR2A11-J40 TO PP1-J6
281	2321257-6	N	PART	1.0	(1026T)MR2A11-J41 TO PP1-J7
282	2321257-9	N	PART	1.0	(1027T)MR2A11-J42 TO PP1-J58
283	2321257-12	N	PART	1.0	(1028T)MR2A11-J43 TO PP1-J59
284	2329504-3	N	CABLE	1.0	(1029T) MR2A11-J62 TO PP1-J77
285	2329624-3	N	CABLE	1.0	(1030T) PP1-J78 TO MR2-A11-J61
286	2321257-26	N	PART	1.0	(1036M)PP1 -J84TO MG3A36-J6
287	2321257-14	N	PART	1.0	(1037M)PP1 -J6 TO MG3A36-J1
288	2321257-17	N	PART	1.0	(1038M)PP1 -J7 TO MG3A36-J2
289	2321257-20	N	PART	1.0	(1039M)PP1 -J58TO MG3A36-J3
290	2321257-23	N	PART	1.0	(1040M)PP1 -J59TO MG3A36-J4
291	2329505-2	N	CABLE	1.0	(1041M)MG3A36-J10 TO PP1-J78
292	2329504-5	N	CABLE	1.0	(1042M) PP1-J77 TO MG3A36-J5
293	2374705-3	N	CABLE	1.0	(1082) OW-A1-15-ETH SLOT TO MR2-
294	2377248-2	N	CABLE	1.0	(1053) MR2A11J54 TO PP1J85 UTNS
295	2377705	N	CABLE	1.0	(1054) SRI II TO CROSS POINT
300	2377248-5	N	CABLE	1.0	RUN 1057 MG3-A8-J1 TO PP1-J85 UTNS

Twin EXCITE 11.x MOB SYS CBLs 46-258771G74 FRU N (PART OF M3153TD PAGE 1-79)

Item	Part Number	FRU	Name	Quantity	Description (Remarks)
8	46-243775G807	N	CABLE	1.0	(701) MR2-A11-J15 TO RF DOOR SW
27	46-258431G810	N	CABLE ASM	1.0	(702M) MR2-A11-J18 TO MR1-A7-J5
28	46-317068G941	N	CABLE	1.0	(703V) MR2-A11-J23 TO MR3-PD1-J2
30	46-301125G98	N	CABLE ASM	1.0	(229T) MR2-A11-J1 TO MR1-A7-J3 OR
32	46-328000G100	N	CABLE ASM	1.0	(231) MR2-A11-J2 TO PP1-J8
34	46-328000G102	N	CABLE ASM	1.0	(233/499) MR2-A11-J5 TO PP1-J7 OR
63	46-258431G124	N	CABLE	1.0	(262M) PP1-J8 TO MG3-A3-A5-OUT
83	46-258431G481	N	CABLE	1.0	(282M) MG3-A2-J6 TO PP1-J12
97	46-271692G1	N	CABLE ASM	1.0	(296) FACILITY DISCONNECT TO PP1-J18
98	46-271693G1	N	CABLE ASM	1.0	(297) EMERGENCY OFF SW TO PP1-J18
119	46-317068G95	N	CABLE	1.0	(318V) MG3-A7 TO PP1-J11
159	46-258431G902	N	CABLE	1.0	(768M) PP1-J20 TO MR1-A7-J31
161	46-258431G905	N	CABLE	1.0	(771M) PP1-J47 TO MR1-A7-J36
162	46-258431G531	N	CABLE	1.0	(387M) PP1-J47 TO MG2-A29-J1
163	46-258431G904	N	CABLE	1.0	(770M) PP1-J11 TO MR1-A7-J41
164	46-258431G903	N	CABLE	1.0	(769M) PP1-J15 TO MR1-A7-J34
178	46-258431G908	N	CABLE ASM	1.0	(774M) MR2-A11-J25 TO MR1-A7-J32
192	46-317068G940	N	CABLE	1.0	(706V) MR3-PD1-J3 TO MR2-A11-J14
203	46-258431G916	N	CABLE ASM	1.0	(778M) MG2-A12-A2-J3 TO PP1-A11-J72
204	46-258431G917	N	CABLE ASM	1.0	(779M) MG2-A12-A2-J4 TO PP1-A11-J73
205	46-258431G918	N	CABLE ASM	1.0	(780M) MG3-A3-J6 TO PP1-A11-J74
206	46-258431G919	N	CABLE ASM	1.0	(781M) MG2-A12-A2-J5 TO PP1-A11-J75
207	46-258431G920	N	CABLE ASM	1.0	(782M) MG2-A12-A2-J6 TO PP1-A11-J76
228	46-258431G906	N	CABLE	1.0	(772M) PP1-J14 TO MR1-A7-J40
229	46-317068G822	N	CABLE	1.0	(715V) MG2-A33-J1 TO PP1-J14
230	46-258431G907	N	CABLE	1.0	(773M) PP1-A17-J1 TO MR1-A7-J35
231	46-317068G931	N	CABLE ASM	1.0	(716V) MG2-A11-J2 TO PP1-J89
232	2123533-4	N	CABLE	1.0	(783TR) MR1-A7-J37 TO PP1-F5/F6, 65'
233	2123534	N	POWER CABLE	1.0	(784) PP1-F5/F6 TO MG6-J1, 25'
238	46-317068G913	N	CABLE ASM	1.0	(777V)MR1-A7-J43 TO PP1-A11-J94
239	46-317068G914	N	CABLE ASM	1.0	(776V)MR1-A7-J44 TO PP1-A11-J93
240	46-317068G915	N	CABLE ASM	1.0	(775V)MR1-A7-J42 TO PP1-A11-J92
252	46-317068G765	N	CABLE ASM	1.0	(488V)MR2-A11-J8 TO PP1-J80
253	46-317068G766	N	CABLE ASM	1.0	(489V)MR2-A11-J9 TO PP1-J81
254	46-317068G767	N	CABLE ASM	1.0	(490V)MR2-A11-J10 TO PP1-J82
255	46-317068G768	N	CABLE	1.0	(491V) PP1-J80 TO MG3-A36-J7
256	46-317068G769	N	CABLE	1.0	(492V) PP1-J81 TO MG3-A36-J8
257	46-317068G770	N	CABLE	1.0	(493V) PP1-J82 TO MG3-A36-J9
267	2363001-8	N	ASSEMBLY	1.0	(1085) OW1-A21-J7 TO PP1-J12
268	2354601-14	N	ASSEMBLY	1.0	(1084) MR1-A11-J26 TO OW1-A21
270	2263200-91	N	CABLE COLL	1.0	(974) MR3CABI/F GIP TO TAC-J12
271	2283297-2	N	CABLE	3.0	(988M) W4-AMPL TO FILTER GND CABLE
274	2288898-2	N	CABLE	1.0	(992M) TAC J2 TO TSCC J3
276	2315915	N	CABLE PT	1.0	MR3GP-J16 TO MR3PDU-J4 ACGD/PDU
280	2321257-2	N	PART	1.0	(1025M)MR2A11-J40 TO PP1-J6
281	2321257-5	N	PART	1.0	(1026M)MR2A11-J41 TO PP1-J7
282	2321257-8	N	PART	1.0	(1027M)MR2A11-J42 TO PP1-J58
283	2321257-11	N	PART	1.0	(1028M)MR2A11-J43 TO PP1-J59
284	2329504-2	N	CABLE	1.0	(1029M) MR2A11-J62 TO PP1-J77
285	2329624-2	N	CABLE	1.0	(1030M) PP1-J78 TO MR2-A11-J61
286	2321257-26	N	PART	1.0	(1036M)PP1 -J84TO MG3A36-J6
287	2321257-14	N	PART	1.0	(1037M)PP1 -J6 TO MG3A36-J1
288	2321257-17	N	PART	1.0	(1038M)PP1 -J7 TO MG3A36-J2
289	2321257-20	N	PART	1.0	(1039M)PP1 -J58TO MG3A36-J3
290	2321257-23	N	PART	1.0	(1040M)PP1 -J59TO MG3A36-J4
291	2329505-2	N	CABLE	1.0	(1041M)MG3A36-J10 TO PP1-J78
292	2329504-5	N	CABLE	1.0	(1042M) PP1-J77 TO MG3A36-J5
294	2377248-2	N	CABLE	1.0	(1053) MR2A11J54 TO PP1J85 UTNS
295	2377705-2	N	CABLE	1.0	(1054) MG3A36J20 TO MG2A33J15
296	2374705-3	N	CABLE	1.0	(1082) OW-A1-15-ETH SLOT TO MR2-
300	2377248-5	N	CABLE	1.0	RUN 1057 MG3-A8-J1 TO PP1-J85 UTNS

Twin EXCITE 11.x T/R SYS CABLES 46-258771G75 FRU N

(PART OF M3163TD PAGE 1-79)

Item	Part Number	FRU	Name	Quantity	Description (Remarks)
8	46-243775G807	N	CABLE	1.0	(701) MR2-A11-J15 TO RF DOOR SW
27	46-243775G810	N	CABLE	1.0	(702) MR2-A11-J18 TO MR1-J5
28	46-301125G941	N	CABLE	1.0	(703T) MR2-A11-J23 TO MR3-PD1-J2
30	46-243775G98	N	CABLE	1.0	RUN 229, MR2-A11-J1 TO MR1-A7-J3
32	46-317359G100	N	CABLE	1.0	(231TR) MR2-A11-J2 TO PP1-J8
34	46-317359G102	N	CABLE	1.0	(233TR/499TR) MR2-A11-J5 TO PP1-A14-
63	46-258431G124	N	CABLE	1.0	(262M) PP1-J8 TO MG3-A3-A5-OUT
83	46-258431G481	N	CABLE	1.0	(282M) MG3-A2-J6 TO PP1-J12
97	46-271692G1	N	CABLE ASM	1.0	(296) FACILITY DISCONNECT TO PP1-J18
98	46-271693G1	N	CABLE ASM	1.0	(297) EMERGENCY OFF SW TO PP1-J18
119	46-317068G95	N	CABLE	1.0	(318V) MG3-A7 TO PP1-J11
159	46-317359G902	N	CABLE	1.0	(768TR) PP1-J20 TO MR1-A7-J31
161	46-317359G905	N	CABLE	1.0	(771TR) PP1-J47 TO MR1-A7-J36
162	46-258431G531	N	CABLE	1.0	(387M) PP1-J47 TO MG2-A29-J1
163	46-317359G904	N	CABLE	1.0	(770TR) PP1-J11 TO MR1-A7-J41
164	46-317359G903	N	CABLE	1.0	(769TR) PP1-J15 TO MR1-A7-J34
178	46-328000G908	N	CABLE	1.0	(774) MR2-A11-J25 TO MR1-A7-J32
203	46-258431G916	N	CABLE ASM	1.0	(778M) MG2-A12-A2-J3 TO PP1-A11-J72
204	46-258431G917	N	CABLE ASM	1.0	(779M) MG2-A12-A2-J4 TO PP1-A11-J73
205	46-258431G918	N	CABLE ASM	1.0	(780M) MG3-A3-J6 TO PP1-A11-J74
206	46-258431G919	N	CABLE ASM	1.0	(781M) MG2-A12-A2-J5 TO PP1-A11-J75
207	46-258431G920	N	CABLE ASM	1.0	(782M) MG2-A12-A2-J6 TO PP1-A11-J76
228	46-301125G906	N	CABLE	1.0	(772T) PP1-J14 TO MR1-A7-J40
229	46-317068G822	N	CABLE	1.0	(715V) MG2-A33-J1 TO PP1-J14
230	46-301125G907	N	CABLE	1.0	(773T) PP1-A17-J1 TO MR1-A7-J35
231	46-317068G931	N	CABLE ASM	1.0	(716V) MG2-A11-J2 TO PP1-J89
232	2123533-3	N	POWER CABLE	1.0	(783T) MR1-A7-J37 TO PP1-F5/F6, 80'
233	2123534	N	POWER CABLE	1.0	(784) PP1-F5/F6 TO MG6-J1, 25'
238	46-301125G913	N	CABLE	1.0	(777T) MR1-A7-J43 TO PP1-A11-J94
239	46-301125G914	N	CABLE	1.0	(776T) MR1-A7-J44 TO PP1-A11-J93
240	46-301125G915	N	CABLE	1.0	(775T) MR1-A7-J42 TO PP1-A11-J92
252	46-258431G765	N	CABLE	1.0	(488M) MR2-A11-J8 TO PP1-J80
253	46-258431G766	N	CABLE	1.0	(489M) MR2-A11-J9 TO PP1-J81
254	46-258431G767	N	CABLE	1.0	(490M) MR2-A11-J10 TO PP1-J82
255	46-317068G768	N	CABLE	1.0	(491V) PP1-J80 TO MG3-A36-J7
256	46-317068G769	N	CABLE	1.0	(492V) PP1-J81 TO MG3-A36-J8
257	46-317068G770	N	CABLE	1.0	(493V) PP1-J82 TO MG3-A36-J9
267	2354601-14	N	ASSEMBLY	1.0	(1084) MR1-A11-J26 TO OW1-A21
268	2363001-8	N	ASSEMBLY	1.0	(1085) OW1-A21-J7 TO PP1-J12
270	2263200-91	N	CABLE COLL	1.0	(974) MR3CABI/F GIP TO TAC-J12
271	2283297-4	N	PDM PART	3.0	RUN #988 W4-AMPL TO FILTER GND CABLE
274	2288898-2	N	CABLE	1.0	(992M) TAC J2 TO TSCC J3
276	2315915	N	CABLE PT	1.0	MR3GP-J16 TO MR3PDU-J4 ACGD/PDU
280	2321257-3	N	PART	1.0	(1025T)MR2A11-J40 TO PP1-J6
281	2321257-6	N	PART	1.0	(1026T)MR2A11-J41 TO PP1-J7
282	2321257-9	N	PART	1.0	(1027T)MR2A11-J42 TO PP1-J58
283	2321257-12	N	PART	1.0	(1028T)MR2A11-J43 TO PP1-J59
284	2329504-3	N	CABLE	1.0	(1029T) MR2A11-J62 TO PP1-J77
285	2329624-3	N	CABLE	1.0	(1030T) PP1-J78 TO MR2-A11-J61
286	2321257-26	N	PART	1.0	(1036M)PP1 -J84TO MG3A36-J6
287	2321257-14	N	PART	1.0	(1037M)PP1 -J6 TO MG3A36-J1
288	2321257-17	N	PART	1.0	(1038M)PP1 -J7 TO MG3A36-J2
289	2321257-20	N	PART	1.0	(1039M)PP1 -J58TO MG3A36-J3
290	2321257-23	N	PART	1.0	(1040M)PP1 -J59TO MG3A36-J4
291	2329505-2	N	CABLE	1.0	(1041M)MG3A36-J10 TO PP1-J78
292	2329504-5	N	CABLE	1.0	(1042M) PP1-J77 TO MG3A36-J5
294	2377248-2	N	CABLE	1.0	(1053) MR2A11J54 TO PP1J85 UTNS
295	2377705	N	CABLE	1.0	(1054) SRI II TO CROSS POINT
296	2374705-3	N	CABLE	1.0	(1082) OW-A1-15-ETH SLOT TO MR2-
300	2377248-5	N	CABLE	1.0	RUN 1057 MG3-A8-J1 TO PP1-J85 UTNS

SOI FIXED SITE CABLES

46-258771G350 FRU N

(PART OF 46-282429G50 PAGE 1-183)
 (PART OF 46-282429G51 PAGE 1-184)
 (PART OF 46-282429G88 PAGE 1-191)

Item	Part Number	FRU	Name	Quantity	Description (Remarks)
27	46-258431G810	2	CABLE ASM	1	(702M) MR2-A11-J18 TO MR1-A7-J5
28	46-258431G809	2	CABLE	1	(703M) MR2-A11-J23 TO MR1-PD1-J2/
30	46-301125G98	2	CABLE ASM	1	(229T) MR2-A11-J1 TO MR1-A7-J3
98	46-271693G1	2	CABLE ASM	1	RUN 297, EMERGENCY OFF SW TO PP1-J18
178	46-258431G908	2	CABLE ASM	1	(774M) MR2-A11-J25 TO MR1-A7-J32
192	46-258431G808	2	CABLE	1	(706M) MR2-A11-J14 TO PD1-A14-A1-J3
255	46-243775G768	2	CABLE	1	RUN 491, PP1-J80 TO MG3-A36-J7
256	46-243775G769	2	CABLE	1	RUN 492, PP1-J81 TO MG3-A36-J8
257	46-243775G770	2	CABLE	1	RUN 493, PP1-J82 TO MG3-A36-J9
258	46-243775G771	2	CABLE	1	RUN 494, PP1-A14-J87 TO MG3-A36-J6
259	46-243775G772	2	CABLE	1	RUN 495, PP1-A15-J78 TO MG3-A36-J10

SOI FIXED SITE CABLES

46-258771G351 FRU N

(PART OF 46-282429G50 PAGE 1-183)
 (PART OF 46-282429G51 PAGE 1-184)
 (PART OF 46-282429G88 PAGE 1-191)

Item	Part Number	FRU	Name	Quantity	Description (Remarks)
5	2198993-2	2	CABLE	1	(818) MR2-A11-J31 TO OW1-A16-6,7,8
8	46-243775G807	2	CABLE	1	RUN 701, MR2-A11-J15 TO RF DOOR SW
32	46-328000G100	2	CABLE ASM	1	(231) MR2-A11-J2 TO PP1-J8
34	46-328000G102	2	CABLE ASM	1	(233/499) MR2-A11-J5 TO PP1-J7 OR
61	46-243775G315	2	CABLE	1	RUN 260, PP1-J7 TO MG2/MG3-A17-J2
63	46-243775G124	2	CABLE	1	RUN 262, PP1-J8 TO MG3-A3-A5-OUT
83	46-243775G481	2	CABLE	1	RUN 282, MG3-A2-J6 TO PP1-J12
97	46-271692G701	2	CABLE ASM	1	(296S) PP1-J18 TO FACILITY DISCONN
119	46-301125G95	2	CABLE	1	(318T) MG3-A7 TO PP1-J11
159	46-301125G902	2	CABLE	1	(768S) PP1-J20 TO MR1-A7-J31
161	46-301125G905	2	CABLE	1	(771S) PP1-J47 TO MR1-A7-J36
162	46-328000G531	2	CABLE	1	(387) MG2-A29-J1 TO PP1-J47
163	46-301125G904	2	CABLE	1	(770V) PP1-J11 TO MR1-A7-J41
164	46-301125G903	2	CABLE	1	(769S) PP1-J15 TO MR1-A7-J34
203	46-301125G916	2	CABLE	1	(778T) MG2-A12-A13-J3 TO PP1-A11-J72
204	46-301125G917	2	CABLE	1	(779T) MG2-A12-A13-J4 TO PP1-A11-J73
205	46-301125G918	2	CABLE	1	(780T) MG3-A3-A1-J6 TO PP1-A11-J74
206	46-328000G919	2	CABLE	1	(781) MG2-A12-A12-J5 TO PP1-A11-J75
207	46-328000G920	2	CABLE	1	(782) MG2-A12-A12-J6 TO PP1-A11-J76
228	46-317359G906	2	ASSEMBLY	1	(772S) PP1-J14 TO MR1-A7-J40
229	46-328000G822	2	ASSEMBLY	1	(715S) MG2-A33-J1 TO PP1-J14
230	46-317359G907	2	ASSEMBLY	1	(773S) PP1-A17-J1 TO MR1-A7-J35
231	46-301125G931	2	CABLE	1	(716S) MG2-A11-A1-J2 TO PP1-J89
232	2123533-3	2	POWER CABLE	1	(783T) MR1-A7-J37 TO PP1-F5/F6, 80'
233	2123534-3	2	POWER CABLE	1	(784S) MG6-J1 TO PP1-F5/F6
234	2123535-3	2	POWER CABLE	1	(785T) MR1-A7-J18 TO PP1-F7/F8, 80'
235	2123536-3	2	POWER CABLE	1	(786S) MG6-J2 TO PP1-F7/F8
238	46-317359G913	2	CABLE	1	(777S) MR1-A7-J43 TO PP1-A11-J94
239	46-317359G914	2	CABLE	1	(776S) MR1-A7-J44 TO PP1-A11-J93
240	46-317359G915	2	CABLE	1	(775S) MR1-A7-J42 TO PP1-A11-J92
250	46-243775G763	2	CABLE	1	RUN 486, PP1-A14-J85 TO MR1-A7-J22
251	46-258431G764	2	CABLE	1	(487M) MR1-A7-J20 TO PP1-A15-J78
252	46-317068G765	2	CABLE ASM	1	(488V)MR2-A11-J8 TO PP1-J80
253	46-317068G766	2	CABLE ASM	1	(489V)MR2-A11-J9 TO PP1-J81
254	46-317068G767	2	CABLE ASM	1	(490V)MR2-A11-J10 TO PP1-J82
260	46-317359G831	2	CABLE	1	(726S) MR1-A7-J18 TO PP1-A16-J77
261	46-317359G832	2	CABLE	1	(727S) PP1-A16-J77 TO MG3-A36-J5
267	46-317359G937	2	CABLE	1	(788TR) PP1-J12 TO OW1-A1-A2-J7
268	46-317359G938	2	CABLE	1	(789TR) MR2-A11-J26 TO OW1-A1-A2-J18
269	46-317359G939	2	CABLE	1	(791TR)MR2-A11-J30 TO OW1-A2-A2-TTY1

SGD AMPLIFIER HOIST KIT **46-317266G4 FRU 2** **(PART OF 46-282429G81 PAGE 1-189)**
(PART OF 46-282429G82 PAGE 1-189)
(PART OF 46-282429G84 PAGE 1-190)
(PART OF 46-282429G85 PAGE 1-190)

Item	Part Number	FRU	Name	Quantity	Description (Remarks)
5	46-195700G6	2	HOIST ASM	1	SGD HOIST ASM
6	46-317263P1	2	SUPPORT JACK	1	
7	46-317289G1	2	JACK ASM	1	AMPLIFIER HOIST KIT
15	46-208561P139	2	SCREW	2	001/2-13 X 4.750 LG HEX HD STL GRADE
16	46-317738P2	2	EXTENSION	1	RF/PEN CABINET EXTENSION
17	46-328439P1	2	SERVICE TOOL	4	8645 SPACER FOR HOIST TOOL
13991	46-208932P2	2	SCREW	4	001/4-20 X 1.000 18-8 SST
14165	46-208948P3	2	NUT	2	1/2-13, 3/4" HEX, 7/16" THK 18-8 SST

HEAT EXCHANGER CABINET **2133830 FRU N** **(PART OF 46-282429G SERIES, PRE-WideOpen)**

Item	Part Number	FRU	Name	Quantity	Description (Remarks)
1	2133830-2	1	PUMP/MOTOR		LYTRON 506840 PUMP/MOTOR ASM KIT
2	2133830-3	2	HEAT XCHNGR		LYTRON 506841 HEAT EXCHANGER KIT
3	2133830-4	2	FAN ASM KIT		LYTRON 506842 FAN ASSEMBLY KIT
4	2133830-5	2	LEVEL SWITCH		LYTRON 506843 LEVEL SWITCH KIT
5	2133830-6	2	SWITCH RELAY		LYTRON 506844 LEVEL SWITCH RELAY KIT
6	2133830-7	2	PWR CONNECTR		LYTRON 506845 POWER CONNECTOR KIT
7	2133830-8	2	HOSE FITTING		LYTRON 506846 BULKHEAD FITTING KIT
8	2133830-9	2	FILTR SCREEN		LYTRON 506863 FILTER SCREEN KIT
9	2133830-10	2	FILTERSCREEN		LYTRON 506863, FILTER SCREEN ELEMENT
10	2133830-11	2	RESERVOIR		LYTRON 506864,RESERVOIR ASSEMBLY KIT

RUBBER HOSE & CLAMPS **2128542 FRU 2** **(PART OF FIXED & T/R CATALOGS**
M3043PA TO M3093PA PAGES 1-52 TO 1-55
M3043PD TO M3163PD PAGES 1-62 TO 1-63
(PART OF 46-282429G SERIES)

Item	Part Number	FRU	Name	Quantity	Description (Remarks)
	2128542-2	2	CLAMP	8	WORM DRIVE HOSE CLAMP, 9/16 TO 1-1/16 DIA. SST
	2128542-3	2	HOSE	100'	PUSH-LOK HOSE
	2128542-4	2	HOSE	10"	PUSH-LOK HOSE

1-25 PDU CABLES

5.x FIXED PDU CABLES

46-258790G24 FRU N

(PART OF 46-282429G26 PAGE 1-180)
 (PART OF 46-282429G28 PAGE 1-180)
 (PART OF 46-282429G63 PAGE 1-184)
 (PART OF 46-282429G66 PAGE 1-185)

Item	Part Number	FRU	Name	Quantity	Description (Remarks)
3	46-271363G3	2	CABLE ASM	1	(041) MR3-A11-J9 TO PD1-A2, 36 FT
9	46-271364G504	2	CABLE ASM	1	(009M) MR1-J1 TO PD1-A2 35 FT
19	46-271365G9	2	CABLE ASM	1	RUN 019, MF1 TO PD1-A2-TS1-19 120FT
23	46-255947G3	2	GROUND WIRE	1	RUN 023, OC1-GND TO PD1-A2-GND, 67'
24	46-255947G4	2	GROUND WIRE	1	RUN 024, MF1-GND TO PD1-A2-GND, 122'
25	46-271364G507	2	CABLE ASM	1	(030M)MR2-A12 TO PD1TS1-16,17,18 35'
31	46-317074G1	2	CABLE, POWER	1	RUN 050 OC1A12-TS1 / PD1TS1-13,14,15
32	46-307617G1	2	CAB FEM POW	1	RUN 064, MR2-J2-TS2-1,2 TO CC1-P1
33	46-255947G607	2	GROUND WIRE	1	(037) MR2-A12-GND TO PD1-A2-A2 36 FT
34	46-255947G608	2	GROUND WIRE	1	(038) MR1-A7-GND TO PD1-A2-A2 36 FT
35	46-320460G1	2	CABLE POWER	1	PDU OUTLET TO MAG/SHIM POWER SUPPLY
40	2103427	2	GROUND CABLE	2	RUN 040, MS1 TO RF COM GROUND STUD
41	46-255947G9	2	GROUND WIRE	1	(044) MR1-A7-GND TO PP1-GND 31 FT
42	46-255947G510	2	GROUND WIRE	1	(045M) PP1-GND TO FAN CABINET GD 41'
43	46-271365G11	2	CABLE ASM	1	(046) HE1 TO PD1-A2 80 FT

5.x 1.0T T/R PDU CABLES

46-258790G25 FRU N

(PART OF 46-282429G64 PAGE 1-184)
 (PART OF 46-282429G67 PAGE 1-185)

Item	Part Number	FRU	Name	Quantity	Description (Remarks)
3	46-271363G603	2	CABLE ASM	1	(041T) MR3-A11-J9 TO PD1-A2
9	46-271364G104	2	CABLE ASM	1	RUN 009, MR1J1 / PD1TS1-10,11,12 45'
19	46-271365G9	2	CABLE ASM	1	RUN 019, MF1 TO PD1-A2-TS1-19 120FT
23	46-255947G3	2	GROUND WIRE	1	RUN 023, OC1-GND TO PD1-A2-GND, 67'
24	46-255947G4	2	GROUND WIRE	1	RUN 024, MF1-GND TO PD1-A2-GND, 122'
25	46-271364G7	2	CABLE ASM	1	RUN 030, MR2-A12 TO PD1-TS1-16,17,18
31	46-317074G1	2	CABLE, POWER	1	RUN 050 OC1A12-TS1 / PD1TS1-13,14,15
32	46-307617G1	2	CAB FEM POW	1	RUN 064, MR2-J2-TS2-1,2 TO CC1-P1
33	46-255947G507	2	GROUND WIRE	1	(037M) MR2-A12-GND TO PD1-A2-A2
34	46-255947G508	2	GROUND WIRE	1	(038M) MR1-A7-GND TO PD1-A2-A2
35	46-320460G1	2	CABLE POWER	1	PDU OUTLET TO MAG/SHIM POWER SUPPLY
40	2103427	2	GROUND CABLE	2	RUN 040, MS1 TO RF COM GROUND STUD
41	46-255947G609	2	GROUND WIRE	1	(044T) MR1-A7-GND TO PP1-GND
42	46-255947G10	2	GROUND WIRE	1	(045) PP1-GND TO FAN MODULE GND
43	46-271365G11	2	CABLE ASM	1	(046) HE1 TO PD1-A2 80 FT

5.x 1.5T T/R PDU CABLES

46-258790G26 FRU N

(PART OF 46-282429G27 PAGE 1-180)

(PART OF 46-282429G29 PAGE 1-181)

Item	Part Number	FRU	Name	Quantity	Description (Remarks)
3	46-271363G605	2	CABLE ASM	1	(041T)MR3-GPM-PS TO PD1-A2 OR MR1-PD
9	46-271364G104	2	CABLE ASM	1	RUN 009, MR1J1 / PD1TS1-10,11,12 45'
19	46-271365G9	2	CABLE ASM	1	(19) MF1 TO PDU-A2-TS1-19 OR MR1-PD1
23	46-255947G3	2	GROUND WIRE	1	RUN 023, 0C1-GND TO PD1-A2-GND, 67'
24	46-255947G4	2	GROUND WIRE	1	RUN 024, MF1-GND TO PD1-A2-GND, 122'
25	46-271364G7	2	CABLE ASM	1	RUN 030, MR2-A12 TO PD1-TS1-16,17,18
31	46-317074G1	2	CABLE, POWER	1	RUN 050 OC1A12-TS1 / PD1TS1-13,14,15
32	46-307617G1	2	CAB FEM POW	1	RUN 064, MR2-J2-TS2-1,2 TO CC1-P1
33	46-255947G507	2	GROUND WIRE	1	(037M) MR2-A12-GND TO PD1-A2-A2
34	46-255947G508	2	GROUND WIRE	1	(038M) MR1-A7-GND TO PD1-A2-A2
35	46-320460G1	2	CABLE POWER	1	PDU OUTLET TO MAG/SHIM POWER SUPPLY
40	2103427	2	GROUND CABLE	2	RUN 040, MS1 TO RF COM GROUND STUD
41	46-255947G609	2	GROUND WIRE	1	(044T) MR1-A7-GND TO PP1-GND
42	46-255947G10	2	GROUND WIRE	1	(045) PP1-GND TO FAN MODULE GND
43	46-271365G11	2	CABLE ASM	1	(046) HE1 TO PD1-A2 OR MR1-PD1 80FT

8.x FIXED PDU CABLES **46-258790G27 FRU N** **(PART OF 46-282429G30 PAGE 1-181)**
(PART OF 46-282429G69 PAGE 1-185)

Item	Part Number	FRU	Name	Quantity	Description (Remarks)
3	46-271363G3	2	CABLE ASM	1	(041) MR3-A11-J9 TO PD1-A2, 36 FT
9	46-271364G504	2	CABLE ASM	1	(009M) MR1-J1 TO PD1-A2 35 FT
19	46-271365G9	2	CABLE ASM	1	(19) MF1 TO PDU-A2-TS1-19 OR MR1-PD1
24	46-255947G4	2	GROUND WIRE	1	(24) MF1-GND TO PD1-GND, 120FT
25	46-271364G507	2	CABLE ASM	1	(030M)MR2-A12 TO PD1TS1-16,17,18 35'
33	46-255947G607	2	GROUND WIRE	1	(037) MR2-A12-GND TO PD1-A2-A2 36 FT
34	46-255947G608	2	GROUND WIRE	1	(038) MR1-A7-GND TO PD1-A2-A2 36 FT
35	46-320460G1	2	CABLE POWER	1	PDU OUTLET TO MAG/SHIM POWER SUPPLY
40	2103427	2	GROUND CABLE	1	RUN 040, MS1 TO RF COM GROUND STUD
41	46-255947G9	2	GROUND WIRE	1	(044) MR1-A7-GND TO PP1-GND 31 FT
42	46-255947G510	2	GROUND WIRE	1	(045M) PP1-GND TO FAN CABINET GD 41'
43	46-271365G11	2	CABLE ASM	1	(046) HE1 TO PD1-A2 OR MR1-PD1 80FT
44	46-307832P1	2	CABLE ASM	1	(047) OW1A2A5JI TO PD1
45	46-255947G11	2	GROUND WIRE	1	(048) OW1-GND TO PD1-GRN

8.x T/R PDU CABLES **46-258790G28 FRU N** **(PART OF 46-282429G31 PAGE 1-181)**
(PART OF 46-282429G70 PAGE 1-186)

Item	Part Number	FRU	Name	Quantity	Description (Remarks)
3	46-271363G603	2	CABLE ASM	1	(041T) MR3-A11-J9 TO PD1-A2
9	46-271364G104	2	CABLE ASM	1	RUN 009, MR1J1 / PD1TS1-10,11,12 45'
19	46-271365G9	2	CABLE ASM	1	(19) MF1 TO PDU-A2-TS1-19 OR MR1-PD1
24	46-255947G4	2	GROUND WIRE	1	(24) MF1-GND TO PD1-GND, 120FT
25	46-271364G7	2	CABLE ASM	1	RUN 030, MR2-A12 TO PD1-TS1-16,17,18
33	46-255947G507	2	GROUND WIRE	1	(037M) MR2-A12-GND TO PD1-GRN
34	46-255947G508	2	GROUND WIRE	1	(038M) MR1-A7-GND TO PD1-A2-A2
35	46-320460G1	2	CABLE POWER	1	PDU OUTLET TO MAG/SHIM POWER SUPPLY
40	2103427	2	GROUND CABLE	2	RUN 040, MS1 TO RF COM GROUND STUD
41	46-255947G609	2	GROUND WIRE	1	(044T) MR1-A7-GND TO PP1-GND
42	46-255947G10	2	GROUND WIRE	1	(045) PP1-GND TO FAN MODULE GND
43	46-271365G11	2	CABLE ASM	1	(046) HE1 TO PD1-A2 OR MR1-PD1 80FT
44	46-307832P1	2	CABLE ASM	1	(047) OW1A2A5JI TO PD1
45	46-255947G11	2	GROUND WIRE	1	(048) OW1-GND TO PD1-GRN

8.x MOBILE PDU CABLES **46-258790G29 FRU N** **(PART OF 46-282429G32 PAGE 1-182)**
(PART OF 46-282429G71 PAGE 1-186)

Item	Part Number	FRU	Name	Quantity	Description (Remarks)
3	46-271363G503	2	CABLE ASM	1	(041M) MR3-A11-J9 TO PD1-A2
9	46-271364G704	2	CABLE ASM	1	(009V) MR1-J1 TO PD1-A2 (CB17)
19	46-271365G709	2	CABLE ASM	1	(019V) MFI TO PD1-A2 (CB2)
24	46-255947G504	2	GROUND WIRE	1	(024M) MF1-GND TO PD1-A2-A2
25	46-271364G707	2	CABLE ASM	1	(030V) MR2-A12 TO PD1-A2
33	46-255947G607	2	GROUND WIRE	1	(037) MR2-A12-GND TO PD1-A2-A2 36 FT
34	46-255947G608	2	GROUND WIRE	1	(038) MR1-A7-GND TO PD1-A2-A2 36 FT
35	46-320460G1	2	CABLE POWER	2	PDU OUTLET TO MAG/SHIM POWER SUPPLY
41	46-255947G509	2	GROUND WIRE	1	(044M) MR1-A7-GND TO PP1-GND
42	46-255947G10	2	GROUND WIRE	1	(045) PP1-GND TO FAN MODULE GND
43	46-271365G11	2	CABLE ASM	1	(046) HE1 TO PD1-A2 80 FT
44	46-307832P2	2	CABLE ASM	1	(047) OW1A2A5JI TO PDI
45	46-255947G11	2	GROUND WIRE	1	(048) OW1-GND TO PD1-A2-A2

**8.x SGD FIXED PDU CABLES 46-258790G30 FRU N (PART OF 46-282429G36 PAGE 1-182)
 (PART OF 46-282429G72 PAGE 1-186)
 (PART OF 46-282429G75 PAGE 1-187)**

Item	Part Number	FRU	Name	Quantity	Description (Remarks)
3	46-271363G5	2	CABLE ASM	1	(041)MR3-GPM-PS TO PD1-A2 OR MR1-PD1
19	46-271365G9	2	CABLE ASM	1	(19) MF1 TO PDU-A2-TS1-19 OR MR1-PD1
24	46-255947G4	2	GROUND WIRE	1	(24) MF1-GND TO PD1-GND, 120FT
25	46-271364G507	2	CABLE ASM	1	(030M)MR2-A12 TO PD1TS1-16,17,18 OR
33	46-255947G607	2	GROUND WIRE	1	(037) MR2-A12-GND TO PD1-GRN 36 FT
35	46-320460G1	2	CABLE POWER	1	PDU OUTLET TO MAG/SHIM POWER SUPPLY
40	2103427	2	GROUND CABLE	2	RUN 040, MS1 TO RF COM GROUND STUD
41	46-255947G9	2	GROUND WIRE	1	(044) MR1-A7-GND TO PP1-GND 31 FT
42	46-255947G510	2	GROUND WIRE	1	(045M) PP1-GND TO FAN CABINET GD 41'
43	46-271365G11	2	CABLE ASM	1	(046) HE1 TO PD1-A2 OR MR1-PD1 80FT
44	46-307832P1	2	CABLE ASM	1	(047) OW1A2A5JI TO PD1
45	46-255947G11	2	GROUND WIRE	1	(048) OW1-GND TO PD1-GRN

**8.x SGD T/R PDU CABLES 46-258790G31 FRU N (PART OF 46-282429G37 PAGE 1-183)
 (PART OF 46-282429G73 PAGE 1-187)
 (PART OF 46-282429G77 PAGE 1-188)
 (PART OF 46-282429G82 PAGE 1-189)
 (PART OF 46-282429G84 PAGE 1-190)**

Item	Part Number	FRU	Name	Quantity	Description (Remarks)
3	46-271363G615	2	CABLE ASM	1	(041T)MR3-GPM-PS TO PD1-A2 OR MR1-PD
25	46-271364G17	2	CABLE ASM	1	(030) MR2-A12 TO PD1-TS1-16,17,18;
33	46-255947G507	2	GROUND WIRE	1	(037M) MR2-A12-GND TO PD1-GRN
35	46-320460G1	2	CABLE POWER	1	PDU OUTLET TO MAG/SHIM POWER SUPPLY
40	2103427	2	GROUND CABLE	2	(040) MS1 TO RF COM GROUND STUD
41	46-255947G609	2	GROUND WIRE	1	(044T) MR1-A7-GND TO PP1-GND
42	46-255947G10	2	GROUND WIRE	1	(045) PP1-GND TO FAN MODULE GND
43	46-271365G11	2	CABLE ASM	1	(046) HE1 TO PD1-A2 OR MR1-PD1 80FT
44	46-307832P4	2	CABLE ASM	1	(047) OW1A2A5J1 TO PD1-A2 OR MR1-PD1
45	46-255947G11	2	GROUND WIRE	1	(048) OW1-GND TO PD1-GND

**8.x SGD MOBILE PDU CABLES 46-258790G32 FRU N (PART OF 46-282429G38 PAGE 1-183)
 (PART OF 46-282429G74 PAGE 1-187)
 (PART OF 46-282429G76 PAGE 1-188)
 (PART OF 46-282429G81 PAGE 1-189)
 (PART OF 46-282429G85 PAGE 1-190)**

Item	Part Number	FRU	Name	Quantity	Description (Remarks)
3	46-271363G715	2	CABLE ASM	1	(041V)MR3-GPM-PS TO PD1-S2 OR MR1-PDU
25	46-271364G817	2	CABLE ASM	1	(030) MR2-A12 TO PD1-A2 OR MR1-PD1
33	46-255947G607	2	GROUND WIRE	1	(037) MR2-A12-GND TO PD1-GRN 36 FT
35	46-320460G1	2	CABLE POWER	2	PDU OUTLET TO MAG/SHIM POWER SUPPLY
41	46-255947G709	2	GROUND WIRE	1	(044V) MR1-A7-GND TO PP1-GND
42	46-255947G10	2	GROUND WIRE	1	(045) PP1-GND TO FAN MODULE GND
43	46-271365G11	2	CABLE ASM	1	(046) HE1 TO PD1-A2 OR MR1-PD1 80FT
44	46-307832P5	2	CABLE ASM	1	(047) OW1A2A5J1 TO PD1-A2 OR MR1-PD1
45	46-255947G11	2	GROUND WIRE	1	(048) OW1-GND TO PD1-GND

LX ACGD FIXED PDU CABLES 46-258790G33 FRU N (PART OF M3043PA PAGE 1-52)
(PART OF 46-282429G98 PAGE 1-192)
(PART OF 46-282429G99 PAGE 1-192)

Item	Part Number	FRU	Name	Quantity	Description (Remarks)
33	46-255947G607	N	GROUND WIRE	1	(037) MR2-A12-GND TO PD1-GRN 36 FT
35	46-320460G1	N	CABLE POWER	1	PDU OUTLET TO MAG/SHIM POWER SUPPLY
40	2103427	N	GROUND CABLE	2	(040) MS1 TO RF COM GROUND STUD
41	46-255947G9	N	GROUND WIRE	1	(044) MR1-A7-GND TO PP1-GND 31 FT
42	46-255947G510	N	GROUND WIRE	1	(045M) PP1-GND TO FAN CABINET GD 41'
45	46-255947G11	N	GROUND WIRE	1	(048) OW1-GND TO PD1-GND
50	2280286	N	PART	1	(966)POWER CAB MR1-A7-J1 TO MR3-PD1
51	2280286-2	N	PART	1	(968)PWR CABLE MR2-A12-J1 TO MR3-PD1
52	2280287	N	PART	1	(967)POWER CABLE MR1-CB1 TO MR3-PD1
53	2280288	N	PART	1	(969) OW1-A2-A5-J1 TO MR3-PD1
54	2371516	2	CABLE ASM	1.0	(970) WC1 TO MR3-PD1
55	46-255947G8	N	GROUND WIRE	1	(038) MR1-A7-GND TO PD1-A2-A2

LX ACGD MOBILE PDU CABLES 46-258790G34 FRU N (PART OF M3053PA PAGE 1-53)
(PART OF M3083PA PAGE 1-54)
(PART OF 46-282429G102 PAGE 1-193)
(PART OF 46-282429G103 PAGE 1-193)

Item	Part Number	FRU	Name	Quantity	Description (Remarks)
33	46-255947G607	N	GROUND WIRE	1	(037) MR2-A12-GND TO PD1-GRN 36 FT
35	46-320460G1	N	CABLE POWER	2	PDU OUTLET TO MAG/SHIM POWER SUPPLY
41	46-255947G709	N	GROUND WIRE	1	(044V) MR1-A7-GND TO PP1-GND
42	46-255947G10	N	GROUND WIRE	1	(045) PP1-GND TO FAN MODULE GND
43	2281320	N	PART	1	(973) HE1 TO MR3-PD1 (25000 MM)
45	46-255947G11	N	GROUND WIRE	1	(048) OW1-GND TO PD1-GND
50	2280286-5	N	PART	1	(966M) CABLE MR1-A7-J1 TO MR3-PD1
51	2280286-6	N	PART	1	(968M) CABLE MR2-A12-J1 TO MR3-PD1
52	2280287-2	N	PART	1	(967M)PWR CABLE MR1-CB1 OR MR1-TS1
53	2280288	N	PART	1	(969) OW1-A2-A5-J1 TO MR3-PD1
55	46-255947G608	N	GROUND WIRE	1	(038) MR1-A7-GND TO PD1-A2-A2 36 FT

LX ACGD T/R PDU CABLES 46-258790G35 FRU N (PART OF M3063PA PAGE 1-53)
(PART OF M3073PA PAGE 1-54)
(PART OF M3093PA PAGE 1-55)
(PART OF 46-282429G100 PAGE 1-192)
(PART OF 46-282429G101 PAGE 1-192)

Item	Part Number	FRU	Name	Quantity	Description (Remarks)
33	46-255947G507	N	GROUND WIRE	1	(037M) MR2-A12-GND TO PD1-GRN
35	46-320460G1	N	CABLE POWER	2	PDU OUTLET TO MAG/SHIM POWER SUPPLY
40	2103427	N	GROUND CABLE	2	(040) MS1 TO RF COM GROUND STUD
41	46-255947G609	N	GROUND WIRE	1	(044T) MR1-A7-GND TO PP1-GND
42	46-255947G10	N	GROUND WIRE	1	(045) PP1-GND TO FAN MODULE GND
43	2281320	N	PART	1	(973) HE1 TO MR3-PD1 (25000 MM)
45	46-255947G11	N	GROUND WIRE	1	(048) OW1-GND TO PD1-GND
50	2280286-3	N	PART	1	(966T) CABLE MR1-A7-J1 TO MR3-PD1
51	2280286-4	N	PART	1	(968T) CABLE MR2-A12-J1 TO MR3-PD1
52	2280287-3	N	PART	1	(967T)PWR CABLE MR1-CB1 OR MR1-TS1
53	2280288	N	PART	1	(969) OW1-A2-A5-J1 TO MR3-PD1
55	46-255947G608	N	GROUND WIRE	1	(038) MR1-A7-GND TO PD1-A2-A2 36 FT

TwinSpeed FIXED PDU CABLES 46-258790G36 FRU N (PART OF M3043TA PAGE 1-74)

Item	Part Number	FRU	Name	Quantity	Description (Remarks)
33	46-255947G607	N	GROUND WIRE	1	(037) MR2-A12-GND TO PD1-GRN 36 FT
35	46-320460G1	N	CABLE POWER	1	PDU OUTLET TO MAG/SHIM POWER SUPPLY
40	2103427	N	GROUND CABLE	2	(040) MS1 TO RF COM GROUND STUD
41	46-255947G9	N	GROUND WIRE	1	(044) MR1-A7-GND TO PP1-GND 31 FT
42	46-255947G510	N	GROUND WIRE	1	(045M) PP1-GND TO FAN CABINET GD 41'
45	46-255947G11	N	GROUND WIRE	1	(048) OW1-GND TO PD1-GND
50	2280286	N	PART	1	(966)POWER CAB MR1-A7-J1 TO MR3-PD1
51	2280286-2	N	PART	1	(968)PWR CABLE MR2-A12-J1 TO MR3-PD1
52	2280287	N	PART	1	(967)POWER CABLE MR1-CB1 OR MR1-TS1
53	2280288	N	PART	1	(969) OW1-A2-A5-J1 TO MR3-PD1
55	46-255947G8	N	GROUND WIRE	1	(038) MR1-A7-GND TO PD1-A2-A2
56	2292999	N	CABLE	1	(989) TAC J58 TO MR3-PD1

TwinSpeed MOBILE PDU CABLES 46-258790G38 FRU N (PART OF M3053TA PAGE 1-74)

Item	Part Number	FRU	Name	Quantity	Description (Remarks)
33	46-255947G607	N	GROUND WIRE	1	(037) MR2-A12-GND TO PD1-GRN 36 FT
35	46-320460G1	N	CABLE POWER	2	PDU OUTLET TO MAG/SHIM POWER SUPPLY
41	46-255947G709	N	GROUND WIRE	1	(044V) MR1-A7-GND TO PP1-GND
42	46-255947G10	N	GROUND WIRE	1	(045) PP1-GND TO FAN MODULE GND
45	46-255947G11	N	GROUND WIRE	1	(048) OW1-GND TO PD1-GND
50	2280286-5	N	PART	1	(966M) CABLE MR1-A7-J1 TO MR3-PD1
51	2280286-6	N	PART	1	(968M) CABLE MR2-A12-J1 TO MR3-PD1
52	2280287-2	N	PART	1	(967M)PWR CABLE MR1-CB1 OR MR1-TS1
53	2280288	N	PART	1	(969) OW1-A2-A5-J1 TO MR3-PD1
55	46-255947G608	N	GROUND WIRE	1	(038) MR1-A7-GND TO PD1-A2-A2 36 FT
56	2292999	N	CABLE	1	(989) TAC J58 TO MR3-PD1

TwinSpeed T/R PDU CABLES 46-258790G39 FRU N (PART OF M3063TA PAGE 1-75)

Item	Part Number	FRU	Name	Quantity	Description (Remarks)
33	46-255947G507	N	GROUND WIRE	1	(037M) MR2-A12-GND TO PD1-GRN
35	46-320460G1	N	CABLE POWER	2	PDU OUTLET TO MAG/SHIM POWER SUPPLY
40	2103427	N	GROUND CABLE	2	(040) MS1 TO RF COM GROUND STUD
41	46-255947G609	N	GROUND WIRE	1	(044T) MR1-A7-GND TO PP1-GND
42	46-255947G10	N	GROUND WIRE	1	(045) PP1-GND TO FAN MODULE GND
45	46-255947G11	N	GROUND WIRE	1	(048) OW1-GND TO PD1-GND
50	2280286-3	N	PART	1	(966T) CABLE MR1-A7-J1 TO MR3-PD1
51	2280286-4	N	PART	1	(968T) CABLE MR2-A12-J1 TO MR3-PD1
52	2280287-3	N	PART	1	(967T)PWR CABLE MR1-CB1 OR MR1-TS1
53	2280288	N	PART	1	(969) OW1-A2-A5-J1 TO MR3-PD1
55	46-255947G608	N	GROUND WIRE	1	(038) MR1-A7-GND TO PD1-A2-A2 36 FT
56	2292999	N	CABLE	1	(989) TAC J58 TO MR3-PD1

8.x SGD W-O FIXED PDU CABLES 46-258790G50 FRU N

(PART OF 46-282429G80 PAGE 1-189)

(PART OF 46-282429G83 PAGE 1-190)

Item	Part Number	FRU	Name	Quantity	Description (Remarks)
3	46-271363G15	2	CABLE ASM	1	(041)MR3-GPM-PS TO PD1-A2 OR MR1-PD1
25	46-271364G517	2	CABLE ASM	1	(030M) MR2-A12 TO PD1-A2 OR MR1-PD1
33	46-255947G607	2	GROUND WIRE	1	(037) MR2-A12-GND TO PD1-GRN 36 FT
35	46-320460G1	2	CABLE POWER	1	PDU OUTLET TO MAG/SHIM POWER SUPPLY
40	2103427	2	GROUND CABLE	2	(040) MS1 TO RF COM GROUND STUD
41	46-255947G9	2	GROUND WIRE	1	(044) MR1-A7-GND TO PP1-GND 31 FT
42	46-255947G510	2	GROUND WIRE	1	(045M) PP1-GND TO FAN CABINET GD 41'
43	2223355	2	PART	1	(065) WC1 TO PD1 POWER CABLE, 82 FT
44	46-307832P4	2	CABLE ASM	1	(047) OW1A2A5J1 TO PD1-A2 OR MR1-PD1
45	46-255947G11	2	GROUND WIRE	1	(048) OW1-GND TO PD1-GND

5.x 1.0T MOBILE PDU CABLES 46-258790G65 FRU N

(PART OF 46-282429G65 PAGE 1-184)

(PART OF 46-282429G68 PAGE 1-185)

Item	Part Number	FRU	Name	Quantity	Description (Remarks)
3	46-271363G505	2	CABLE ASM	1	(041M)MR3-GPM-PS TO PD1-A2_OR MR1-PD
9	46-271364G704	2	CABLE ASM	1	(009V) MR1-J1 TO PD1-A2 (CB17)
19	46-271365G709	2	CABLE ASM	1	(019V)MFI TO PD1-A2(CB2)_OR MR1-PD1
23	46-255947G3	2	GROUND WIRE	1	RUN 023, 0C1-GND TO PD1-A2-GND, 67'
24	46-255947G504	2	GROUND WIRE	1	(024M) MF1-GND TO PD1-GRN
25	46-271364G707	2	CABLE ASM	1	(030V) MR2-A12 TO PD1-A2_OR MR1-PD1
31	46-317074G701	2	CABLE, POWER	1	(050V) OC1-A12-TS1 TO PD1-A2
32	46-307617G501	2	CAB FEM POW	1	(064M) MR2-J2-TS2 TO CC1-P1
33	46-255947G607	2	GROUND WIRE	1	(037) MR2-A12-GND TO PD1-GRN 36 FT
34	46-255947G608	2	GROUND WIRE	1	(038) MR1-A7-GND TO PD1-A2-A2 36 FT
35	46-320460G1	2	CABLE POWER	2	PDU OUTLET TO MAG/SHIM POWER SUPPLY
41	46-255947G509	2	GROUND WIRE	1	(044M) MR1-A7-GND TO PP1-GND
42	46-255947G10	2	GROUND WIRE	1	(045) PP1-GND TO FAN MODULE GND
43	46-271365G11	2	CABLE ASM	1	(046) HE1 TO PD1-A2 OR MR1-PD1 80FT

EXCITE 11.x MOBILE PDU CABLES 46-258790G81 FRU N

(PART OF M3153PD PAGE 1-63)

Item	Part Number	FRU	Name	Quantity	Description (Remarks)
33	46-255947G607	N	GROUND WIRE	1.0	(037) MR2-A12-GND TO PD1-GRN 36 FT
35	46-320460G1	N	CABLE POWER	2.0	PDU OUTLET TO MAG/SHIM POWER SUPPLY
41	46-255947G709	N	GROUND WIRE	1.0	(044V) MR1-A7-GND TO PP1-GND
42	46-255947G10	N	GROUND WIRE	1.0	(045) PP1-GND TO FAN MODULE GND
43	2281320	N	PART	1.0	(973) HE1 TO MR3-PD1 (25000 MM)
50	2280286-5	N	PART	1.0	(966M) CABLE MR1-A7-J1 TO MR3-PD1
51	2280286-6	N	PART	1.0	(968M) CABLE MR2-A12-J1 TO MR3-PD1
52	2280287-2	N	PART	1.0	(967M)PWR CABLE MR1-CB1 OR MR1-TS1
53	2371515-3	N	CABLE ASM	1.0	(1081) OW1-A19-J1 TO MR3-PD1
55	46-255947G608	N	GROUND WIRE	1.0	(038) MR1-A7-GND TO PD1-A2-A2 36 FT

EXCITE 11.x T/R PDU CABLES 46-258790G82 FRU N (PART OF M3163PD PAGE 1-63)

Item	Part Number	FRU	Name	Quantity	Description (Remarks)
33	46-255947G507	N	GROUND WIRE	1.0	(037M) MR2-A12-GND TO PD1-GRN
35	46-320460G1	N	CABLE POWER	2.0	PDU OUTLET TO MAG/SHIM POWER SUPPLY
40	2103427	N	GROUND CABLE	2.0	(040) MS1 TO RF COM GROUND STUD
41	46-255947G609	N	GROUND WIRE	1.0	(044T) MR1-A7-GND TO PP1-GND
42	46-255947G10	N	GROUND WIRE	1.0	(045) PP1-GND TO FAN MODULE GND
43	2281320	N	PART	1.0	(973) HE1 TO MR3-PD1 (25000 MM)
50	2280286-3	N	PART	1.0	(966T) CABLE MR1-A7-J1 TO MR3-PD1
51	2280286-4	N	PART	1.0	(968T) CABLE MR2-A12-J1 TO MR3-PD1
52	2280287-3	N	PART	1.0	(967T)PWR CABLE MR1-CB1 OR MR1-TS1
53	2371515-3	N	CABLE ASM	1.0	(1081) OW1-A19-J1 TO MR3-PD1
55	46-255947G608	N	GROUND WIRE	1.0	(038) MR1-A7-GND TO PD1-A2-A2 36 FT

Twin EXCITE 11.x MOB PDU CBLS 46-258790G83 FRU N (PART OF M3153TD PAGE 1-79)

Item	Part Number	FRU	Name	Quantity	Description (Remarks)
33	46-255947G607	N	GROUND WIRE	1.0	(037) MR2-A12-GND TO PD1-GRN 36 FT
35	46-320460G1	N	CABLE POWER	2.0	PDU OUTLET TO MAG/SHIM POWER SUPPLY
41	46-255947G709	N	GROUND WIRE	1.0	(044V) MR1-A7-GND TO PP1-GND
42	46-255947G10	N	GROUND WIRE	1.0	(045) PP1-GND TO FAN MODULE GND
50	2280286-5	N	PART	1.0	(966M) CABLE MR1-A7-J1 TO MR3-PD1
51	2280286-6	N	PART	1.0	(968M) CABLE MR2-A12-J1 TO MR3-PD1
52	2280287-2	N	PART	1.0	(967M)PWR CABLE MR1-CB1 OR MR1-TS1
53	2371515-3	N	CABLE ASM	1.0	(1081) OW1-A19-J1 TO MR3-PD1
55	46-255947G608	N	GROUND WIRE	1.0	(038) MR1-A7-GND TO PD1-A2-A2 36 FT
56	2292999	N	CABLE	1.0	(989) TAC J58 TO MR3-PD1

Twin EXCITE 11.x T/R PDU CBLS 46-258790G84 FRU N (PART OF M3163TD M3163TD PAGE 1-79)

Item	Part Number	FRU	Name	Quantity	Description (Remarks)
33	46-255947G507	N	GROUND WIRE	1.0	(037M) MR2-A12-GND TO PD1-GRN
35	46-320460G1	N	CABLE POWER	2.0	PDU OUTLET TO MAG/SHIM POWER SUPPLY
40	2103427	N	GROUND CABLE	2.0	(040) MS1 TO RF COM GROUND STUD
41	46-255947G609	N	GROUND WIRE	1.0	(044T) MR1-A7-GND TO PP1-GND
42	46-255947G10	N	GROUND WIRE	1.0	(045) PP1-GND TO FAN MODULE GND
50	2280286-3	N	PART	1.0	(966T) CABLE MR1-A7-J1 TO MR3-PD1
51	2280286-4	N	PART	1.0	(968T) CABLE MR2-A12-J1 TO MR3-PD1
52	2280287-3	N	PART	1.0	(967T)PWR CABLE MR1-CB1 OR MR1-TS1
53	2371515-3	N	CABLE ASM	1.0	(1081) OW1-A19-J1 TO MR3-PD1
55	46-255947G608	N	GROUND WIRE	1.0	(038) MR1-A7-GND TO PD1-A2-A2 36 FT
56	2292999	N	CABLE	1.0	(989) TAC J58 TO MR3-PD1

SOI PDU CABLES

46-258790G500 FRU N

(PART OF 46-282429G50 PAGE 1-183)
 (PART OF 46-282429G51 PAGE 1-184)
 (PART OF 46-282429G88 PAGE 1-191)

Item	Part Number	FRU	Name	Quantity	Description (Remarks)
3	46-271363G15	2	CABLE ASM	1	(041)MR3-GPM-PS TO PD1-A2 OR MR1-PD1
25	46-271364G517	2	CABLE ASM	1	(030M) MR2-A12 TO PD1-A2 OR MR1-PD1
33	46-255947G607	2	GROUND WIRE	1	(037) MR2-A12-GND TO PD1-GRN 36 FT
35	46-320460G1	2	CABLE POWER	1	PDU OUTLET TO MAG/SHIM POWER SUPPLY
40	2103427-3	2	GROUND CABLE	2	RUN 040, RF COM GRND STUD TO MS1
41	46-255947G609	2	GROUND WIRE	1	(044T) MR1-A7-GND TO PP1-GND
42	46-255947G610	2	GROUND WIRE	1	(045S) PP1-GND TO FAN MODULE GND
43	2223355	2	PART	1	(065) WC1 TO PD1 POWER CABLE, 82 FT
44	46-307832P3	2	CABLE ASM	1	(047) OW1A2A5J1 TO PD1-A2 OR MR1-PD1
45	46-255947G611	2	GROUND WIRE	1	(048T) OW1-GND TO PD1-GND

SOI PDU CABLES - ACGD

46-258790G501 FRU N

(PART OF M3044PA PAGE 1-52)
 (PART 1 OF 46-2322679 PAGE 1-191)

Item	Part Number	FRU	Name	Quantity	Description (Remarks)
25	46-271364G517	N	CABLE ASM	1	(030M) MR2-A12 TO PD1-A2 OR MR1-PD1
33	46-255947G607	N	GROUND WIRE	1	(037) MR2-A12-GND TO PD1-GRN 36 FT
35	46-320460G1	N	CABLE POWER	1	PDU OUTLET TO MAG/SHIM POWER SUPPLY
40	2103427-3	N	GROUND CABLE	2	(040) RF COM GRND STUD TO MS1
41	46-255947G609	N	GROUND WIRE	1	(044T) MR1-A7-GND TO PP1-GND
42	46-255947G610	N	GROUND WIRE	1	(045S) PP1-GND TO FAN MODULE GND
45	46-255947G611	N	GROUND WIRE	1	(048T) OW1-GND TO PD1-GND
50	2280286-3	N	PART	1	(966T) CABLE MR1-A7-J1 TO MR3-PD1
51	2280286-4	N	PART	1	(968T) CABLE MR2-A12-J1 TO MR3-PD1
52	2280287-3	N	PART	1	(967T)PWR CABLE MR1-CB1 OR MR1-TS1
53	2280288-3	N	PART	1.0	(969) OW1-A2-A5-J1 TO MR3-PD1 100FT
54	2371516	2	CABLE ASM	1.0	(970) WC1 TO MR3-PD1

1-26 RF AND HELIAX CABLES

1.5T HEAD/BODY COIL RF CABLES-80 FT2300798 FRU N (PART OF M3043PA PAGE 1-52)
 (PART OF M3053PA PAGE 1-53)
 (PART OF M3063PA PAGE 1-53)
 (PART OF M3145PD PAGE 1-63)
 (PART OF M3153PD PAGE 1-63)
 (PART OF M3043TA PAGE 1-74)
 (PART OF M3053TA PAGE 1-74)
 (PART OF M3063TA PAGE 1-75)
 (PART OF M3145TD PAGE 1-79)
 (PART OF M3153TD PAGE 1-79)
 (PART OF M3163TD PAGE 1-79)

Item	Part Number	FRU	Name	Quantity	Description (Remarks)
2	2316584	N	CABLE	1	(235/257) FJ5 TO MG3A3-J1 (80FT)
3	2316589	N	CABLE	1	FLEXIBLE EXTENSION CABLE (BODY)
4	2319986	N	PLUG	2	PLUG, 7/8 EIA RIGHT ANGLE
5	2357230	N	PART	1	RUN 235 PP1-J44
6	2357230-2	N	PART	1	RUN 257 PP1-J44
7	46-220400P1	2	MECHANICAL/M	1	7" WIDE, 8" DEEP, 0.004" THICKNESS
8	2335189	N	PART	1	FLEXIBLE EXTENSION CABLE (HEAD)
9	2335190	N	PART	1	LMR 900 STRIPPING TOOL
10	46-208935P8	N	NUT	3	1/4-20, 7/16" HEX X 3/16 THK, BRASS
11	46-221449P6	N	WASHER	3	SCREW SIZE 1/4 (0.250) PHOS BRONZE
12	46-208939P20	N	SCREW	3	1/4-20 X 1.25 HEX HEAD BOLT (BRASS)
13	2316588	N	CABLE	1	(236/258) FJ5 TO MG3A17-J1 (80FT)
14	2357230-3	N	PART	1	RUN 236 FJ6
15	2357230-4	N	PART	1	RUN 258 MG3A17-J1
16	2352193	N	PART	1	LMR 600 STRIPPING TOOL
18	2352195	N	PART	2	STRAIGHT MALE N FOR LMR 600
19	5111565	N	OUT OF CATAL	1.0	RF CABLE CUTTING TOOL

HEAD/BODY COIL RF CABLES-60 FT 2300798-2 FRU N (PART 5 OF M3143PD PAGE 1-63)
 (PART 6 OF M3143TD PAGE 1-79)

Item	Part Number	FRU	Name	Quantity	Description (Remarks)
2	2316584-2	N	CABLE	1.0	(235/257) FJ5 TO MG3A3A5-J1, 60 FT
3	2316589	N	CABLE	1.0	FLEXIBLE EXTENSION CABLE (BODY)
4	2319986	N	OUT OF CATAL	2.0	PLUG, 7/8 EIA RIGHT ANGLE
5	2357230	N	PART	1.0	RUN 235 PP1-J44
6	2357230-2	N	PART	1.0	RUN 257 PP1-J44
7	46-220400P1	N	MECHANICAL/M	1.0	7" WIDE, 8" DEEP, 0.004" THICKNESS
8	2335189	N	PART	1.0	FLEXIBLE EXTENSION CABLE (HEAD)
9	2335190	N	OUT OF CATAL	1.0	LMR 900 STRIPPING TOOL
10	46-208935P8	N	PDM PART	3.0	1/4-20, 7/16" HEX X 3/16 THK, BRASS
11	46-221449P6	N	PDM PART	3.0	SCREW SIZE 1/4 (0.250) PHOS BRONZE
12	2388318	N	OUT OF CATAL	3.0	1/4-20 HEX HD BRASS CAP SCREW 1-1/4
13	2316588-2	N	CABLE	1.0	(236/258) MG3A17-J1 TO PP1-J4, 60 FT
14	2357230-3	N	PART	1.0	RUN 236 FJ6
15	2357230-4	N	PART	1.0	RUN 258 MG3A17-J1
16	2352193	N	OUT OF CATAL	1.0	LMR 600 STRIPPING TOOL
18	2352195	N	OUT OF CATAL	2.0	STRAIGHT MALE N FOR LMR 600
19	5111565	N	OUT OF CATAL	1.0	RF CABLE CUTTING TOOL

RF/PDU RF CABLES AND ADAPTERS 2209235 FRU N

(PART OF 46-282429G75 PAGE 1-187)
 (PART OF 46-282429G76 PAGE 1-188)
 (PART OF 46-282429G77 PAGE 1-188)
 (PART OF 46-282429G80 PAGE 1-189)
 (PART OF 46-282429G81 PAGE 1-189)
 (PART OF 46-282429G82 PAGE 1-189)
 (PART OF 46-282429G83 PAGE 1-190)
 (PART OF 46-282429G98 PAGE 1-192)
 (PART OF 46-282429G99 PAGE 1-192)
 (PART OF 46-282429G100 PAGE 1-192)
 (PART OF 46-282429G102 PAGE 1-193)

Item	Part Number	FRU	Name	Quantity	Description (Remarks)
1	2207145	2	PART	1	CABLE KIT SCAL. RF CAB
3	46-221865P1	2	CONNECTOR	1	UG-30, N BULKHEAD, 50-OHM, JACK-JACK
4	46-221865P3	2	CONNECTOR	3	UG-27B RT-ANGLE N, 50-OHM JACK-PLUG
5	46-208935P8	2	NUT	3	1/4-20, 7/16" HEX X 3/16 THK, BRASS
6	46-221449P6	2	WASHER	3	SCREW SIZE 1/4 (0.250) PHOS BRONZE
7	46-208939P18	2	SCREW	3	SCREW
8	46-287688G5	2	CABLE ASM	1	(745) OTHER END IS MR1-A23-J4
9	46-287688G6	2	CABLE ASM	1	(748) ONE END IS MR1-A23-J3

RF EXTENSION CABLES-T/R & MOB 46-265504G1 FRU N

(PART 19 OF 2322678 PAGE 1-91)
 (PART 19 OF 46-282429G T/R & MOBILE SERIES
 PAGES 1-180 THRU 1-190)

Item	Part Number	FRU	Name	Quantity	Description (Remarks)
2	46-265505P1	2	BRACKET	1	RF EXTENSION CABLE LOOP I/F PANEL
3	46-255595G3	2	CABLE ASM	1	10 FT, RG 214 WITH N CONNECTORS
4	46-255594G4	2	CABLE ASM	1	10 FT, RG 214 WITH HN CONNECTORS
6	46-221865P1	2	CONNECTOR	1	UG-30, N BULKHEAD, 50-OHM, JACK-JACK
7	46-221942P1	2	CONNECTOR	1	UG-1019 HN BULKHEAD 50-OHM JACK-JACK
10	46-221942P3	2	CONNECTOR	1	UG-212 RT-ANGLE HN, 50-OHM JACK-PLUG
11	46-221865P3	2	CONNECTOR	1	UG-27B RT-ANGLE N, 50-OHM JACK-PLUG

RF EXTENSION CABLES-FIXED 2105371 FRU N

(PART OF M3043PA PAGE 1-52)
 (PART OF M3044PA PAGE 1-52)
 (PART OF M3144PD PAGE 1-63)
 (PART OF M3073PA PAGE 1-54)
 (PART OF M3043TA PAGE 1-74)
 (PART OF M3144TD PAGE 1-79)
 (PART 53 OF 46-282429G FIXED SERIES
 PAGES 1-180 THRU 1-191)

Item	Part Number	FRU	Name	Quantity	Description (Remarks)
1	46-320664P1	2	BRACKET	1	FLEXIBLE EXTENSION CABLE INTERFACE
2	2105358	2	CABLE ASM	1	RG214/U COAX W/STRAIGHT N PLUGS, 7FT
3	2105362	2	CABLE ASM	1	RG214/U COAX W/STRAIGHT HN PLUGS, 7'
4	46-221865P1	2	CONNECTOR	1	UG-30, N BULKHEAD, 50-OHM, JACK-JACK
5	46-221942P1	2	CONNECTOR	1	UG-1019 HN BULKHEAD 50-OHM JACK-JACK

HN HELIAX CABLE KIT **46-255661G2 FRU N** **(PART OF 46-317598G20 PAGE 1-230)**
(PART OF 46-317598G23 PAGE 1-230)
(PART OF 46-317598G24 PAGE 1-230)

Item	Part Number	FRU	Name	Quantity	Description (Remarks)
2	46-255662G2	2	CABLE ASM	1	100' 7/8" HELIAX W/HN FLANGE & PLUG
3	46-230012P1	2	CONNECTOR	1	50-OHM HN STRAIGHT PLUG, 7/8" HELIAX
4	46-230103P1	2	CONNECTOR	1	50-OHM EIA FLANGE TYPE, 7/8" HELIAX
6	46-251905P7	N	CABLE LABEL	1	RUN #235 MR1-A7-J13
7	46-251905P8	N	CABLE LABEL	1	RUN #235 PP1-J44
8	46-251905P9	N	CABLE LABEL	1	RUN #257 PP1-J44
9	46-251905P10	N	CABLE LABEL	1	RUN #257 MG3
11	46-251905P324	N	CABLE LABEL	1	(235) MR1-A23-J4

N HELIAX CABLE/LABEL KIT **46-271996G1 FRU N** **(PART OF 46-317598G20 PAGE 1-230)**

Item	Part Number	FRU	Name	Quantity	Description (Remarks)
1	46-251711G1	2	CABLE ASM	1	80 FT 1/2" HELIAX COAX W/N PLUGS
2	46-251711G2	2	CABLE ASM	1	50 FT 1/2" HELIAX COAX W/N PLUGS
3	46-251905P42	2	CABLE LABEL	1	RUN #258 PP1-J4
4	46-251905P43	2	CABLE LABEL	1	RUN #258 MG2/MG3-A17-J1
5	46-251905P44	N	CABLE LABEL	1	RUN #236 MR1-A7-J12
6	46-251905P45	N	CABLE LABEL	1	RUN #236 PP1-J4
7	46-251905P325	N	CABLE LABEL	1	(236) MR1-A23-J3

N HELIAX CABLE/LABEL KIT **46-271996G8 FRU N** **(PART OF 46-317598G23 PAGE 1-230)**

Item	Part Number	FRU	Name	Quantity	Description (Remarks)
1	46-251711G8	2	CABLE ASM	1	55 FT 1/2" HELIAX COAX W/N PLUGS
2	46-251711G2	2	CABLE ASM	1	50 FT 1/2" HELIAX COAX W/N PLUGS
3	46-251905P235	N	CABLE LABEL	1	RUN #258 PPI-J4 46-251711G8
4	46-251905P236	N	CABLE LABEL	1	RUN #258 MG2/MG3-A17-J1 46-251711G8
5	46-251905P44	N	CABLE LABEL	1	RUN #236 MR1-A7-J12
6	46-251905P45	N	CABLE LABEL	1	RUN #236 PP1-J4
7	46-251905P325	N	CABLE LABEL	1	(236) MR1-A23-J3

N HELIAX CABLE/LABEL KIT **46-271996G9 REV 0** **(PART OF 46-317598G24 PAGE 1-230)**

Item	Part Number	FRU	Name	Quantity	Description (Remarks)
1	46-251711G5	2	CABLE ASM	1	15 FOOT 1/2" HELIAX COAX W/N PLUGS
2	46-251711G9	2	CABLE ASM	1	65 FT 1/2" HELIAX COAX W/N PLUGS
3	46-251905P260	2	CABLE LABEL	1	RUN #258 PP1-J4
4	46-251905P261	2	CABLE LABEL	1	RUN #258 MG2/MG3-A17-J1
5	46-251905P262	2	CABLE LABEL	1	RUN #236 MR1-A7-J12
6	46-251905P263	2	CABLE LABEL	1	RUN #236 PP1-J4
7	46-251905P325	N	CABLE LABEL	1	(236) MR1-A23-J3

HELIAX ELBOW KIT **46-317474G1 FRU N** **(PART OF 46-317598G20 PAGE 1-230)**
(PART OF 46-317598G23 PAGE 1-230)
(PART OF 46-317598G24 PAGE 1-230)

Item	Part Number	FRU	Name	Quantity	Description (Remarks)
1	46-230013P1	2	CONNECTOR	2	50 OHM 90 DEG FLANGED ELBOW,7/8"CBL
2	46-208935P8	2	NUT,HEX,MS	3	1/4-20, 7/16" HEX X 3/16 THK, BRASS
3	46-221449P6	2	WASHER	3	SCREW SIZE 1/4 (0.250) PHOS BRONZE
4	46-208939P20	2	SCREW,CAP	3	1/4-20 X 1.25 BRASS

5.x 1.0T RF CABLES 46-317598G60 FRU N (PART OF 46-282429G63 PAGE 1-184)
 (PART OF 46-282429G66 PAGE 1-185)
 (PART OF 46-282429G69 PAGE 1-185)

Item	Part Number	FRU	Name	Quantity	Description (Remarks)
2	46-328145G1	2	CABLE ASM	1	RUN 745 MR1-A7-J13 TO PP1-J44, 50'
3	46-328145G2	2	CABLE ASM	1	RUN 746 PP1-J44 TO MG3-A3-J1, 55'
4	46-328146G4	2	CABLE ASM	1	RUN 747 PP1-J4 TO MG3-A17-J1, 50'
5	46-328146G3	2	CABLE ASM	1	RUN 748 MR1-A7-J12 TO PP1-J4, 50'
6	46-317459G1	N	FEEDTHRU	1	BODY XMIT PEN PANEL FEEDTHRU ASM (SEE PAGE 1-233)

5.x 1.0T T/R RF CABLES 46-317598G61 FRU N (PART OF 46-282429G64 PAGE 1-184)
 (PART OF 46-282429G67 PAGE 1-185)
 (PART OF 46-282429G70 PAGE 1-186)
 (PART OF 46-282429G71 PAGE 1-186)
 (PART OF 46-282429G73 PAGE 1-187)
 (PART OF 46-282429G74 PAGE 1-187)

Item	Part Number	FRU	Name	Quantity	Description (Remarks)
2	46-328145G5	2	CABLE ASM	1	(745T) MR1-A7-J13 TO PP1-J44
3	46-328145G4	2	CABLE ASM	1	(746X)PP1-J44 TO MG3-A3-J1
4	46-328146G6	2	CABLE ASM	1	(747X)PP1-J4 TO MG3-A17-J1
5	46-328146G7	2	CABLE ASM	1	(748T) MR1-A7-J12 TO PP1-J4
6	46-317459G1	N	FEEDTHRU	1	BODY XMIT PEN PANEL FEEDTHRU ASM (SEE PAGE 1-233)

5.x 1.0T MOBILE RF CABLES 46-317598G63 FRU N (PART OF 46-282429G65 PAGE 1-184)
 (PART OF 46-282429G68 PAGE 1-185)

Item	Part Number	FRU	Name	Quantity	Description (Remarks)
2	46-328145G6	2	CABLE ASM	1	(745TR) MR1-A7-J13 TO PP1-J44
3	46-328145G4	2	CABLE ASM	1	(746X)PP1-J44 TO MG3-A3-J1
4	46-328146G6	2	CABLE ASM	1	(747X)PP1-J4 TO MG3-A17-J1
5	46-328146G8	2	CABLE ASM	1	(748TR) MR1-A7-J12 TO PP1-J4
6	46-317459G1	N	FEEDTHRU	1	BODY XMIT PEN PANEL FEEDTHRU ASM (SEE PAGE 1-233)

PEN PANEL FEEDTHRU **46-317459G1 FRU N** **(PART OF 46-317598G60 PAGE 1-232)**
(PART OF 46-317598G61 PAGE 1-232)
(PART OF 46-317598G63 PAGE 1-232)

Item	Part Number	FRU	Name	Quantity	Description (Remarks)
2	46-307815P1	2	PLATE	1	HN CONNECTOR ADAPTOR PLATE
3	46-221942P1	2	CONNECTOR	1	UG-1019 HN BULKHEAD 50-OHM JACK-JACK
4	46-221942P3	2	CONNECTOR	2	UG-212 RT-ANGLE HN, 50-OHM JACK-PLUG
16755	46-208935P8	2	NUT,HEX,MS	3	1/4-20, 7/16" HEX X 3/16 THK, BRASS
38742	46-221449P6	2	WASHER	3	SCREW SIZE 1/4 (0.250) PHOS BRONZE
78589	46-208939P18	2	SCREW,CAP	3	001/4-20 X 0.500 BRASS

TPS RF SERVICE I/F KIT **46-301927G1 FRU N** **(PART OF 46-244813G27 PAGE 1-94)**
(PART OF 46-244813G30 PAGE 1-95)
(PART OF 46-244813G67 PAGE 1-97)

Item	Part Number	FRU	Name	Quantity	Description (Remarks)
2	46-301549P5	2	COAX CABLE	3	5' RG188/U COAX, BNC MALE/SMB FEMALE
3	46-301549P6	2	COAX CABLE	2	5' RG188/U COAX, BNC MALE/CANNON MK1
4	46-251993G1	2	CABLE ASM	1	8" RG174/U 50-OHM COAX W/SMB PLUGS
5	46-301549P14	2	COAX CABLE	5	6" RG188/U, CANNON MARK 1 RECEPTACLE
6	46-301549P15	2	TPS KIT PART	1	DC BLOCK - 50 OHM BNC MALE/FEMALE
7	46-296817P1	1	CONNECTOR	1	50 OHM BNC TERMINATOR W/CHAIN, 1/2 W
10	46-220427P3	1	CONNECTOR	2	50 OHM BNC STRAIT JACK-JACK ADAPTOR
11	2168505	2	CABLE	1	CERD SPIKE NOISE TEST CABLE

KIT TO LOCATE SELECT RELAY **46-320801G2 FRU 2** **(PART OF 46-282429G29 PAGE 1-181)**
(PART OF 46-282429G31 PAGE 1-181)
(PART OF 46-282429G70 PAGE 1-186)
(PART OF 46-282429G71 PAGE 1-186)
(PART OF 46-282429G73 PAGE 1-187)
(PART OF 46-282429G74 PAGE 1-187)
(PART OF 46-282429G76 PAGE 1-188)
(PART OF 46-282429G77 PAGE 1-188)
(PART OF 46-282429G81 PAGE 1-189)
(PART OF 46-282429G82 PAGE 1-189)
(PART OF 46-282429G84 PAGE 1-190)
(PART OF 46-282429G85 PAGE 1-190)
(PART OF 46-282429G100 PAGE 1-192)
(PART OF 46-282429G101 PAGE 1-192)
(PART OF 46-282429G102 PAGE 1-193)
(PART OF 46-282429G103 PAGE 1-193)

Item	Part Number	FRU	Name	Quantity	Description (Remarks)
5	46-208990P1	2	CONNECTOR	2	50 OHM BNC BULKHEAD ADAP'R JACK-JACK
8	516A770P604	2	SCREW	8	6-32 X 1/4 LG BIND HEAD SST 18-8

1-27 GRADIENT CABLES

GRAM-GRADIENT DATA CABLES 2121430 FRU N (PART OF M1000MC PAGE 1-3)
 (PART OF M1000MD PAGE 1-3)
 (PART OF M1000ME PAGE 1-3)
 (PART OF M1000MF PAGE 1-4)
 (PART OF M1000NF PAGE 1-10)
 (PART OF M1000NG PAGE 1-11)
 (PART OF M1800MC PAGE 1-6)
 (PART OF M1800MD PAGE 1-6)
 (PART OF M1800NE PAGE 1-13)
 (PART OF M1800NF PAGE 1-14)

Item	Part Number	FRU	Name	Quantity	Description (Remarks)
1	46-328000G895	2	CABLE ASM	1	(753) MR7-A4-J1 TO MR3-A11-J5
2	46-328000G896	2	CABLE ASM	1	(754) MR7-A4-J2 TO MR3-A11-J4
3	46-328000G897	2	CABLE ASM	1	(755) MR7-A4-J3 TO MR3-A11-J3
4	46-328000G898	2	CABLE ASM	1	(756) MR7-A4-J4 TO MR3-A11-J8
5	46-328000G899	2	CABLE ASM	1	(757) MR7-A4-J5 TO MR3-A11-J7
6	46-328000G900	2	CABLE ASM	1	(758) MR7-A4-J6 TO MR3-A11-J6
7	46-271364G610	2	CABLE ASM	1	(043T) MR7-A4-J7 TO PD1-TS-7,8,9 47'

GRADIENT OUTPUT CABLES 2120963 FRU N (PART OF 46-282429G26 PAGE 1-180)
 (PART OF 46-282429G27 PAGE 1-180)
 (PART OF 46-282429G28 PAGE 1-180)
 (PART OF 46-282429G29 PAGE 1-181)
 (PART OF 46-282429G31 PAGE 1-181)
 (PART OF 46-282429G63 PAGE 1-184)
 (PART OF 46-282429G64 PAGE 1-184)
 (PART OF 46-282429G66 PAGE 1-185)
 (PART OF 46-282429G67 PAGE 1-185)
 (PART OF 46-282429G70 PAGE 1-186)

Item	Part Number	FRU	Name	Quantity	Description (Remarks)
1	2100948	2	CABLE	1	(762) MR3-A11-J12 OR MR7-A4-J11-TS5
2	2100948-2	2	CABLE	1	(763) MR3-A11-J11 OR MR7-A4-J12-TS6
3	2100948-3	2	CABLE	1	(764) MR3-A11-J10 OR MR7-A4-J13-TS7

GRADIENT-GRAM CABLES 2120963-2 FRU N (PART OF M1000MC PAGE 1-3)
 (PART OF M1000MD PAGE 1-3)
 (PART OF M1000ME PAGE 1-3)
 (PART OF M1000MF PAGE 1-4)
 (PART OF M1000NF PAGE 1-10)
 (PART OF M1000NG PAGE 1-11)
 (PART OF M1800MC PAGE 1-6)
 (PART OF M1800MD PAGE 1-6)
 (PART OF M1800NE PAGE 1-13)
 (PART OF M1800NF PAGE 1-14)

Item	Part Number	FRU	Name	Quantity	Description (Remarks)
1	2100948-4	2	CABLE	1	(759) MR3-A11-J12 TO MR7-A4-J8-TS2
2	2100948-5	2	CABLE	1	(760) MR3-A11-J11 TO MR7-A4-J9-TS3
3	2100948-6	2	CABLE	1	(761) MR3-A11-J10 TO MR7-A4-J10-TS4

MOBILE GRADIENT CABLES 2120963-3 FRU N (PART OF M1800NE PAGE 1-13)
 (PART OF 46-282429G32 PAGE 1-182)
 (PART OF 46-282429G71 PAGE 1-186)

Item	Part Number	FRU	Name	Quantity	Description (Remarks)
1	2100948-7	2	CABLE	1	(762TR)MR3-A11-J12 OR MR7-A4-J11-TS5
2	2100948-8	2	CABLE	1	(763TR)MR3-A11-J11 OR MR7-A4-J12-TS6
3	2100948-9	2	CABLE	1	(764TR)MR3-A11-J10 OR MR7-A4-J13-TS7

100FT GRADIENT CABLES 2120963-4 FRU N (PART OF FIXED & T/R CATALOGS
 M3043PA TO M3093PA PAGES 1-52 TO 1-55)
 (PART OF 46-282429G36 PAGE 1-182)
 (PART OF 46-282429G37 PAGE 1-183)
 (PART OF 46-282429G50 PAGE 1-183)
 (PART OF 46-282429G51 PAGE 1-184)
 (PART OF 46-282429G72 PAGE 1-186)
 (PART OF 46-282429G73 PAGE 1-187)
 (PART OF 46-282429G75 PAGE 1-187)
 (PART OF 46-282429G77 PAGE 1-188)
 (PART OF 46-282429G80 PAGE 1-189)
 (PART OF 46-282429G82 PAGE 1-189)
 (PART OF 46-282429G83 PAGE 1-190)
 (PART OF 46-282429G84 PAGE 1-190)
 (PART OF 46-282429G88 PAGE 1-191)
 (PART OF 46-282429G98 PAGE 1-192)
 (PART OF 46-282429G99 PAGE 1-192)
 (PART OF 46-282429G100 PAGE 1-192)
 (PART OF 46-282429G101 PAGE 1-192)

Item	Part Number	FRU	Name	Quantity	Description (Remarks)
1	2100948-10	2	PART	1	(762) MR3CABI/FJ3 TO MG3-A32-TS1/2
2	2100948-11	2	PART	1	(763) MR3CABI/FJ4 TO MG3-A32-TS3/4
3	2100948-12	2	PART	1	(764) MR3CABI/FJ5 TO MG3-A32-TS5/6

MOBILE GRADIENT CABLES 2120963-5 FRU N (PART OF M3053PA PAGE 1-53)
 (PART OF M3083PA PAGE 1-54)
 (PART OF M3153PD PAGE 1-63)
 (PART OF SGD MOBILE & T/R 46-282429G SERIES)
 (PART OF 46-282429G81 PAGE 1-189)
 (PART OF 46-282429G85 PAGE 1-190)
 (PART OF 46-282429G102 PAGE 1-193)
 (PART OF 46-282429G103 PAGE 1-193)

Item	Part Number	FRU	Name	Quantity	Description (Remarks)
1	2100948-13	2	CABLE	1	(762M) MR3CABI/FJ3 TO MG3-A32-TS-1/2
2	2100948-14	2	CABLE	1	(763M) MR3CABI/FJ4 TO MG3-A32-TS-3/4
3	2100948-15	2	CABLE	1	(764M) MR3CABI/FJ5 TO MG3-A32-TS-5/6

TWIN GRADIENT CABLES – FIXED 2120963–8 FRU N (PART OF M3043TA PAGE 1–74)

Item	Part Number	FRU	Name	Quantity	Description (Remarks)
2	2100948–37	N	CABLE	1	(976) PP1–A7–X TO TACCAB–X
3	2100948–38	N	CABLE	1	(977) PP1–A7–Y TO TACCAB–Y
4	2100948–39	N	CABLE	1	(978) PP1–A7–Z TO TACCAB–Z
5	2100948–40	N	CABLE	1	(984) PP1–A7–XZM TO MG3–A32–TS1–XZM
6	2100948–41	N	CABLE	1	(983) PP1–A7–YZM TO MG3–A32–TS1–YZM
7	2100948–42	N	CABLE	1	(982) PP1–A7–ZZM TO MG3–A32–TS1–ZZM
8	2100948–43	N	CABLE	1	(987) PP1–A7–XWB TO MG3–A32–TS1–XWB
9	2100948–44	N	CABLE	1	(986) PP1–A7–YWB TO MG3–A32–TS1–YWB
10	2100948–45	N	CABLE	1	(985) PP1–A7–ZWB TO MG3–A32–TS1–ZWB

**TWIN GRADIENT CABLES – MOB & T/R 2120963–9 FRU N (PART OF M3053TA PAGE 1–74)
(PART OF M3063TA PAGE 1–75)
(PART OF M3153TD PAGE 1–79)
(PART OF M3163TD PAGE 1–79)**

Item	Part Number	FRU	Name	Quantity	Description (Remarks)
2	2100948–19	N	CABLE	1	(979/976) MR3CABI/FJ3 TO PP1–A7–X
3	2100948–20	N	CABLE	1	(980/977) MR3CABI/FJ4 TO PP1–A7–Y
4	2100948–21	N	CABLE	1	(981/978) MR3CABI/FJ5 TO PP1–A7–Z
5	2100948–28	N	CABLE	1	(984M)PP1–A7–ZWB TO MG3–A32–TS1–ZWB
6	2100948–29	N	CABLE	1	(983M)PP1–A7–YAM TO MG3–A32–TS1–YZM
7	2100948–30	N	CABLE	1	(982M)PP1–A7–ZZM TO MG3–A32–TS1–ZZM
8	2100948–31	N	CABLE	1	(987M)PP1–A7–XWB TO MG3–A32–TS1–XWB
9	2100948–32	N	CABLE	1	(986M)PP1–A7–YWB TO MG3–A32–TS1–YWB
10	2100948–33	N	CABLE	1	(985M)PP1–A7–ZWB TO MG3–A32–TS1–ZWB

1-28 FIBER OPTIC CABLES

5.x FIBER OPTIC CABLES 46-317249G15 FRU N (PART OF 46-282429G26 PAGE 1-180)
 (PART OF 46-282429G28 PAGE 1-180)
 (PART OF 46-282429G63 PAGE 1-184)
 (PART OF 46-282429G66 PAGE 1-185)

Item	Part Number	FRU	Name	Quantity	Description (Remarks)
1	46-317076G602	2	FO CABLE ASM	1	(708T) MR2-A11-J16 TO MR1-A7-TX
2	46-317077G802	2	FO CABLE ASM	1	(709TR-1) MR1-A7-RX TO MR3-A11-J1
4	46-317085G602	2	FO CABLE ASM	1	(710T)MR2-A11-J17 TO MR3-A11-J2
5	2126180	2	CONNECTOR KT	1	FIBER-OPTIC CONDUIT PANEL-MOUNT CONN
7	46-220191P1	2	CLAMP	2	CLAMP FOR FLAT CABLE
8	46-230653P2	2	TUBING	3	1/4" DIA. SPIRALLY CUT POLYETHYLENE
9	46-208758P2	2	STRAP	9	5.5" X .140" SELF-LOCKING CABLE TIE.
12	46-328078G5	2	FO CABLE ASM	1	(711V/712V) MR2-A11-J13 TO PP1-A17-
15	46-328079G9	2	FO CABLE ASM	1	(711M/712M) PP1-J91 TO MG2-A33

5.x 1.0T MOBILE F/O CABLES 46-317249G16 FRU N (PART OF 46-282429G665 PAGE 1-184)
 (PART OF 46-282429G68 PAGE 1-185)

Item	Part Number	FRU	Name	Quantity	Description (Remarks)
1	46-317076G702	2	CABLE ASM	1	(708V) MR2-A11-J16 TO MR1-A7-TX
2	46-317077G702	2	CABLE ASM	1	(709V-1) MR1-A7-RX TO MR3-A11-J1
4	46-317085G2	2	CABLE ASM	1	(710) MR2-A11-J17 TO MR3-A11-J2
5	2126180	2	CONNECTOR KT	1	FIBER-OPTIC CONDUIT PANEL-MOUNT CONN
7	46-220191P1	2	CLAMP	2	CLAMP FOR FLAT CABLE
8	46-230653P2	2	TUBING	3	1/4" DIA. SPIRALLY CUT POLYETHYLENE
9	46-208758P2	2	TY-RAP	9	5.5" X .140" SELF-LOCKING CABLE TIE.
12	46-328078G6	2	CABLE ASM	1	(711TR/712TR)MR2-A11-J13 TO PP1-A17-
15	46-328079G7	2	CABLE ASM	1	(711T/712T) PP1-J91 TO MG2-A33

5.x T/R FIBER OPTIC CABLES 46-317249G17 FRU N (PART OF 46-282429G27 PAGE 1-180)
 (PART OF 46-282429G29 PAGE 1-181)
 (PART OF 46-282429G64 PAGE 1-184)
 (PART OF 46-282429G67 PAGE 1-185)

Item	Part Number	FRU	Name	Quantity	Description (Remarks)
1	46-317076G2	2	CABLE ASM	1	(708) MR2-A11-J16 TO MR1-A7-TX
2	46-317077G702	2	CABLE ASM	1	(709V-1) MR1-A7-RX TO MR3-A11-J1
4	46-317085G2	2	CABLE ASM	1	(710) MR2-A11-J17 TO MR3-A11-J2
5	2126180	2	CONNECTOR KT	1	FIBER-OPTIC CONDUIT PANEL-MOUNT CONN
7	46-220191P1	2	CLAMP	2	CLAMP FOR FLAT CABLE
8	46-230653P2	2	TUBING	3	1/4" DIA. SPIRALLY CUT POLYETHYLENE
9	46-208758P2	2	TY-RAP	9	5.5" X .140" SELF-LOCKING CABLE TIE.
12	46-328078G2	2	CABLE	1	(711T/712T) MR2-A11-J13 TO PP1-A17
15	46-328079G7	2	CABLE ASM	1	(711T/712T) PP1-J91 TO MG2-A33

8.x FIBER OPTIC CABLES 46-317249G20 FRU N (PART OF 46-282429G30 PAGE 1-181)

Item	Part Number	FRU	Name	Quantity	Description (Remarks)
1	46-317076G602	2	FO CABLE ASM	1	(708T) MR2-A11-J16 TO MR1-A7-TX
2	46-317077G802	2	FO CABLE ASM	1	(709TR-1) MR1-A7-RX TO MR3-A11-J1
4	46-317085G602	2	FO CABLE ASM	1	(710T)MR2-A11-J17 TO MR3-A11-J2
5	2126180	2	CONNECTOR KT	1	FIBER-OPTIC CONDUIT PANEL-MOUNT CONN
7	46-220191P1	2	CLAMP	2	CLAMP FOR FLAT CABLE
8	46-230653P2	2	TUBING	3	1/4" DIA. SPIRALLY CUT POLYETHYLENE
9	46-208758P2	2	TY-RAP	9	5.5" X .140" SELF-LOCKING CABLE TIE.
12	46-328078G5	2	FO CABLE ASM	1	(711V/712V) MR2-A11-J13 TO PP1-A17-
15	46-328079G9	2	FO CABLE ASM	1	(711M/712M) PP1-J91 TO MG2-A33

8.x T/R FIBER OPTIC CABLES 46-317249G21 FRU N (PART OF 46-282429G31 PAGE 1-181)

Item	Part Number	FRU	Name	Quantity	Description (Remarks)
1	46-317076G2	2	CABLE ASM	1	(708) MR2-A11-J16 TO MR1-A7-TX
2	46-317077G702	2	CABLE ASM	1	(709V-1) MR1-A7-RX TO MR3-A11-J1
4	46-317085G2	2	CABLE ASM	1	(710) MR2-A11-J17 TO MR3-A11-J2
5	2126180	2	CONNECTOR KT	1	FIBER-OPTIC CONDUIT PANEL-MOUNT CONN
7	46-220191P1	2	CLAMP	2	CLAMP FOR FLAT CABLE
8	46-230653P2	2	TUBING	3	1/4" DIA. SPIRALLY CUT POLYETHYLENE
9	46-208758P2	2	TY-RAP	9	5.5" X .140" SELF-LOCKING CABLE TIE.
12	46-328078G2	2	CABLE	1	(711T/712T) MR2-A11-J13 TO PP1-A17
15	46-328079G7	2	CABLE ASM	1	(711T/712T) PP1-J91 TO MG2-A33

8.x MOBILE F/O CABLES 46-317249G22 FRU N (PART OF 46-282429G32 PAGE 1-182)

Item	Part Number	FRU	Name	Quantity	Description (Remarks)
1	46-317076G702	2	CABLE ASM	1	(708V) MR2-A11-J16 TO MR1-A7-TX
2	46-317077G702	2	CABLE ASM	1	(709V-1) MR1-A7-RX TO MR3-A11-J1
4	46-317085G2	2	CABLE ASM	1	(710) MR2-A11-J17 TO MR3-A11-J2
5	2126180	2	CONNECTOR KT	1	FIBER-OPTIC CONDUIT PANEL-MOUNT CONN
7	46-220191P1	2	CLAMP	2	CLAMP FOR FLAT CABLE
8	46-230653P2	2	TUBING	3	1/4" DIA. SPIRALLY CUT POLYETHYLENE
9	46-208758P2	2	TY-RAP	9	5.5" X .140" SELF-LOCKING CABLE TIE.
12	46-328078G6	2	CABLE ASM	1	(711TR/712TR)MR2-A11-J13 TO PP1-A17-
15	46-328079G7	2	CABLE ASM	1	(711T/712T) PP1-J91 TO MG2-A33

8.x SGD FIXED F/O CABLES 46-317249G25 FRU N
 (PART OF M3043PA PAGE 1-52)
 (PART OF M3073PA PAGE 1-54)
 (PART OF M3043TA PAGE 1-74)
 (PART OF 46-282429G36 PAGE 1-182)
 (PART OF 46-282429G72 PAGE 1-186)
 (PART OF 46-282429G75 PAGE 1-187)
 (PART OF 46-282429G80 PAGE 1-189)
 (PART OF 46-282429G83 PAGE 1-190)
 (PART OF 46-282429G98 PAGE 1-192)
 (PART OF 46-282429G99 PAGE 1-192)

Item	Part Number	FRU	Name	Quantity	Description (Remarks)
1	46-317076G602	2	FO CABLE ASM	1	(708T) MR2-A11-J16 TO MR1-A7-TX
2	46-317077G803	2	CABLE ASM	1	(709TR-1)MR1-A7-RX TO MR3-CAB-I/F-J2
4	46-317085G603	2	CABLE ASM	1	(710T)MR2-A11-J17 TO MR3-CAB-I/F-J1
5	2126180	2	CONNECTOR KT	1	FIBER-OPTIC CONDUIT PANEL-MOUNT CONN
7	46-220191P1	2	CLAMP	2	CLAMP FOR FLAT CABLE
8	46-230653P2	2	TUBING	3	1/4" DIA. SPIRALLY CUT POLYETHYLENE
9	46-208758P2	2	TY-RAP	9	5.5" X .140" SELF-LOCKING CABLE TIE.
12	46-328078G5	2	FO CABLE ASM	1	(711V/712V) MR2-A11-J13 TO PP1-A17-
15	46-328079G9	2	FO CABLE ASM	1	(711M/712M) PP1-J91 TO MG2-A33
17	2241052	2	FIBER OPTIC	1	(836) OW1A15-BIT3 TO MR2A11A30-BIT3

8.x SGD T/R F/O CABLES 46-317249G26 FRU N
 (PART OF M3063PA PAGE 1-53)
 (PART OF M3093PA PAGE 1-55)
 (PART OF M3063TA PAGE 1-75)
 (PART OF 46-282429G37 PAGE 1-183)
 (PART OF 46-282429G73 PAGE 1-187)
 (PART OF 46-282429G77 PAGE 1-188)
 (PART OF 46-282429G82 PAGE 1-189)
 (PART OF 46-282429G84 PAGE 1-190)
 (PART OF 46-282429G100 PAGE 1-192)
 (PART OF 46-282429G101 PAGE 1-192)
 (PART 10 OF M3093PA PAGE 1-55)

Item	Part Number	FRU	Name	Quantity	Description (Remarks)
1	46-317076G2	2	CABLE ASM	1	(708) MR2-A11-J16 TO MR1-A7-TX
2	46-317077G703	2	CABLE ASM	1	(709V-1)MR1-A7-RX TO MR3-CAB-I/F-J2
4	46-317085G3	2	CABLE ASM	1	(710)MR2-A11-J17 TO MR3-CAB-I/F-J1
5	2126180	2	CONNECTOR KT	1	FIBER-OPTIC CONDUIT PANEL-MOUNT CONN
7	46-220191P1	2	CLAMP	2	CLAMP FOR FLAT CABLE
8	46-230653P2	2	TUBING	3	1/4" DIA. SPIRALLY CUT POLYETHYLENE
9	46-208758P2	2	TY-RAP	9	5.5" X .140" SELF-LOCKING CABLE TIE.
12	46-328078G2	2	CABLE	1	(711T/712T) MR2-A11-J13 TO PP1-A17
15	46-328079G7	2	CABLE ASM	1	(711T/712T) PP1-J91 TO MG2-A33
17	2241052-3	2	FIBER OPTIC	1	(836) OW1A15-BIT3 TO MR2A11A30-BIT3

8.x SGD MOBILE F/O CABLES 46-317249G27 FRU N
 (PART OF M3053PA PAGE 1-53)
 (PART OF M3083PA PAGE 1-54)
 (PART OF M3053TA PAGE 1-74)
 (PART OF 46-282429G38 PAGE 1-183)
 (PART OF 46-282429G74 PAGE 1-187)
 (PART OF 46-282429G76 PAGE 1-188)
 (PART OF 46-282429G81 PAGE 1-189)
 (PART OF 46-282429G85 PAGE 1-190)
 (PART OF 46-282429G102 PAGE 1-193)
 (PART OF 46-282429G103 PAGE 1-193)

Item	Part Number	FRU	Name	Quantity	Description (Remarks)
1	46-317076G702	2	CABLE ASM	1	(708V) MR2-A11-J16 TO MR1-A7-TX
2	46-317077G703	2	CABLE ASM	1	(709V-1)MR1-A7-RX TO MR3-CAB-I/F-J2
4	46-317085G3	2	CABLE ASM	1	(710)MR2-A11-J17 TO MR3-CAB-I/F-J1
5	2126180	2	CONNECTOR KT	1	FIBER-OPTIC CONDUIT PANEL-MOUNT CONN
7	46-220191P1	2	CLAMP	2	CLAMP FOR FLAT CABLE
8	46-230653P2	2	TUBING	3	1/4" DIA. SPIRALLY CUT POLYETHYLENE
9	46-208758P2	2	TY-RAP	9	5.5" X .140" SELF-LOCKING CABLE TIE.
12	46-328078G6	2	CABLE ASM	1	(711TR/712TR)MR2-A11-J13 TO PP1-A17-
15	46-328079G7	2	CABLE ASM	1	(711T/712T) PP1-J91 TO MG2-A33
17	2241052-4	2	FIBER OPTIC	1	(836) OW1A15-BIT3 TO MR2A11A30-BIT3

**EXCITE 11.x MOB F/O CABLES 46-317249G81 FRU N (PART OF M3153PD PAGE 1-63)
(PART OF M3153TD PAGE 1-79)**

Item	Part Number	FRU	Name	Quantity	Description (Remarks)
1	46-317077G703	N	CABLE ASM	1	(709V-1)MR1-A7-RX TO MR3-CAB-I/F-J2
2	2330480-2	N	CABLE	1	(1033M)MR2-A11-J16 TO MR1-A7-TX
4	2331897-2	N	PART	1	(1034M)MR2-A11-J17 TOMR3-PD1-J2
5	2126180	N	CONNECTOR KT	1	FIBER-OPTIC CONDUIT PANEL-MOUNT CONN
7	46-220191P1	N	CLAMP	2	CLAMP FOR FLAT CABLE
8	46-230653P2	N	TUBING	3	1/4" DIA. SPIRALLY CUT POLYETHYLENE
9	46-208758P2	N	TY-RAP	9	5.5" X .140" SELF-LOCKING CABLE TIE.
12	2331846-2	N	PART	1	(1045M)MR2 A11-J13 TO PP1-A17
15	46-328079G7	N	CABLE ASM	1	(711T/712T) PP1-J91 TO MG2-A33
17	2318811-9	N	PART	1	(1083) OW1-A15-BIT3 TO MR2-A11-J22
18	2378450	N	PART	1	(1078) MG2A33J15 TO MG3A36J20

**EXCITE 11.x T/R F/O CABLES 46-317249G82 FRU N (PART OF M3163PD PAGE 1-63)
(PART OF M3163TD PAGE 1-79)**

Item	Part Number	FRU	Name	Quantity	Description (Remarks)
1	46-317077G703	N	CABLE ASM	1.0	(709V-1)MR1-A7-RX TO MR3-CAB-I/F-J2
2	2330480-2	N	CABLE	1.0	(1033M)MR2-A11-J16 TO MR1-A7-TX
4	2331897-2	N	PART	1.0	(1034M)MR2-A11-J17 TOMR3-PD1-J2
5	2126180	N	CONNECTOR KT	1.0	FIBER-OPTIC CONDUIT PANEL-MOUNT CONN
7	46-220191P1	N	CLAMP	2.0	CLAMP FOR FLAT CABLE
8	46-230653P2	N	TUBING	3.0	1/4" DIA. SPIRALLY CUT POLYETHYLENE
9	46-208758P2	N	TY-RAP	9.0	5.5" X .140" SELF-LOCKING CABLE TIE.
12	2331846-3	N	PART	1.0	(1045T)MR2 A11-J13 TO PP1-A17
15	46-328079G7	N	CABLE ASM	1.0	(711T/712T) PP1-J91 TO MG2-A33
17	2318811-10	N	PDM PART	1.0	(1083) OW1-A15-BIT3 TO MR2-A11-J22
18	2378450	N	PART	1.0	(1078) MG2A33J15 TO MG3A36J20

**SOI FIBER OPTIC CABLES 46-317249G250 FRU N (PART OF M3044PA PAGE 1-52)
(PART OF 46-282429G50 PAGE 1-183)
(PART OF 46-282429G51 PAGE 1-184)
(PART OF 46-282429G88 PAGE 1-191)**

Item	Part Number	FRU	Name	Quantity	Description (Remarks)
1	46-317076G602	2	FO CABLE ASM	1	(708T) MR2-A11-J16 TO MR1-A7-TX
2	46-317077G3	2	CABLE ASM	1	(709-1)MR1-A7-RX TO MR3-CAB-I/F-J2
4	46-317085G603	2	CABLE ASM	1	(710T)MR2-A11-J17 TO MR3-CAB-I/F-J1
5	2126180	2	CONNECTOR KT	1	FIBER-OPTIC CONDUIT PANEL-MOUNT CONN
7	46-220191P1	2	CLAMP	2	CLAMP FOR FLAT CABLE
8	46-230653P2	2	TUBING	3	1/4" DIA. SPIRALLY CUT POLYETHYLENE
9	46-208758P2	2	TY-RAP	9	5.5" X .140" SELF-LOCKING CABLE TIE.
12	46-328078G2	2	CABLE	1	(711T/712T) MR2-A11-J13 TO PP1-A17
15	46-328079G6	2	CABLE ASM	1	(711/712) PP1-J91 TO MG2-A33
17	2241052-5	2	FIBER OPTIC	1	(836) OW1A15-BIT3 TO MR2A11A30-BIT3