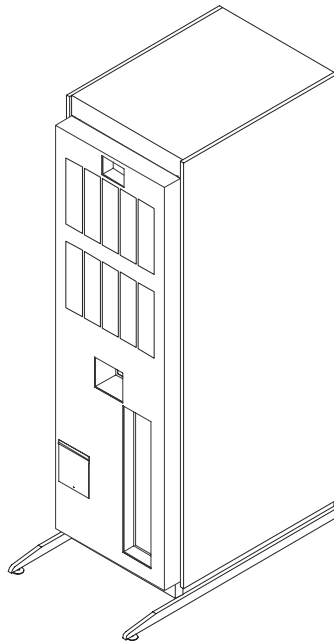


SECTION 14 – RF/PDU CABINET

TABLE OF CONTENTS



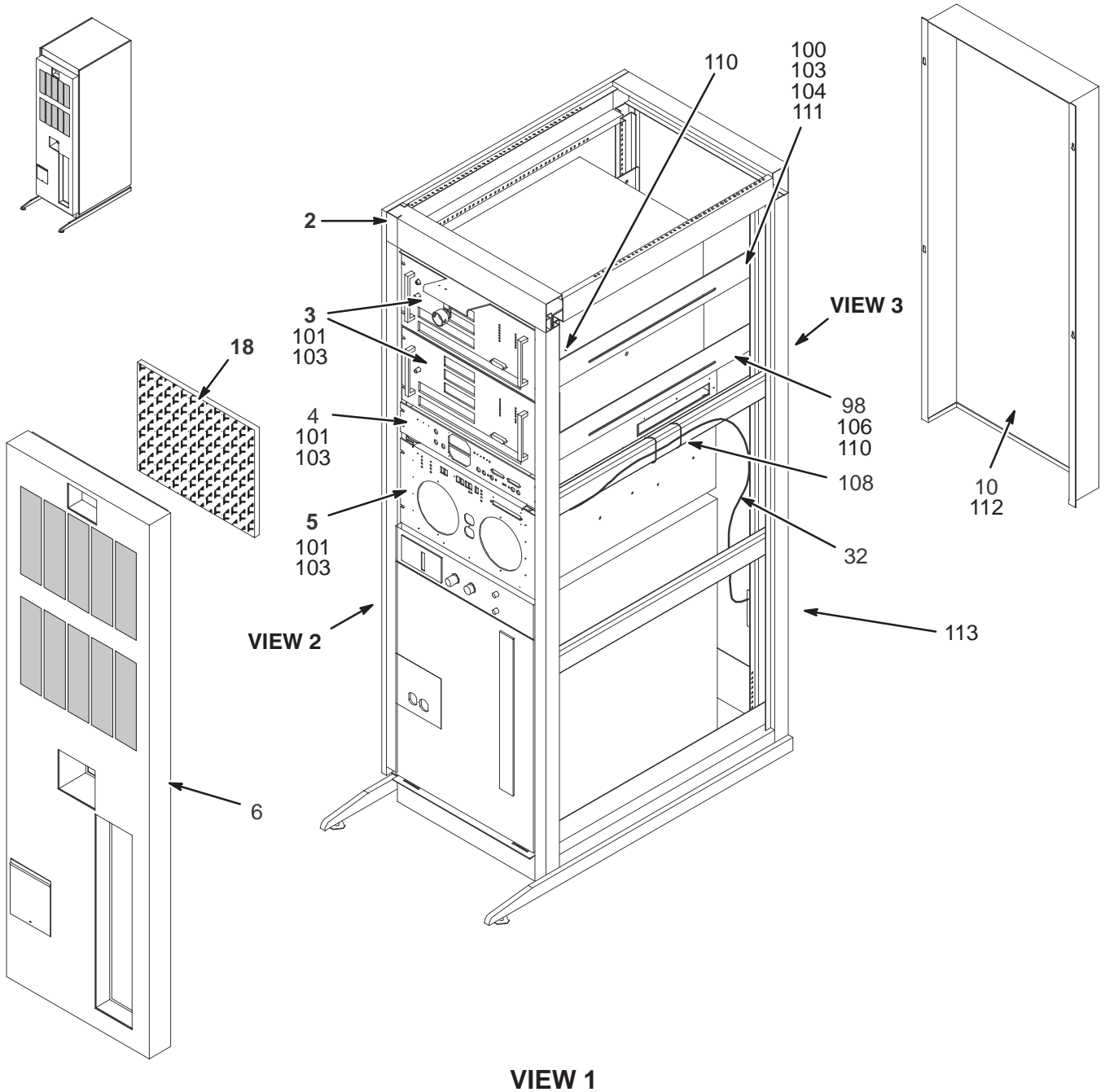
<u>SECTION</u>	<u>PAGE</u>
14-1 1.0T RF/PDU CABINET Contains information on 1.0T RF/PDU Cabinet	14-2
14-2 1.5T RF/PDU CABINET Contains information on 1.5T RF/PDU Cabinet	14-10

14-1 1.0T RF/PDU CABINET

1.0T RF/PDU CABINET

2174501

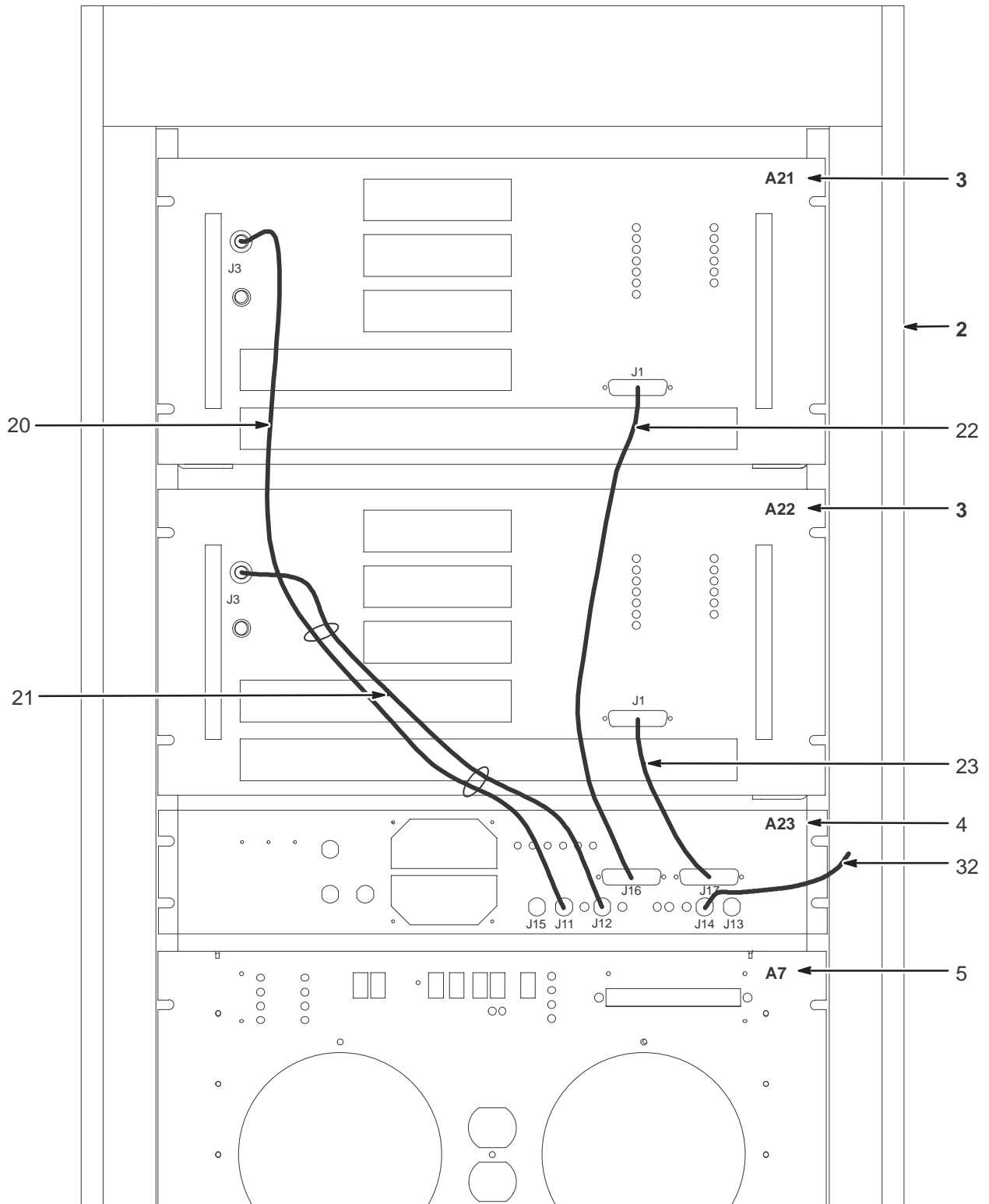
MR1



1.0T RF/PDU CABINET

2174501

MR1

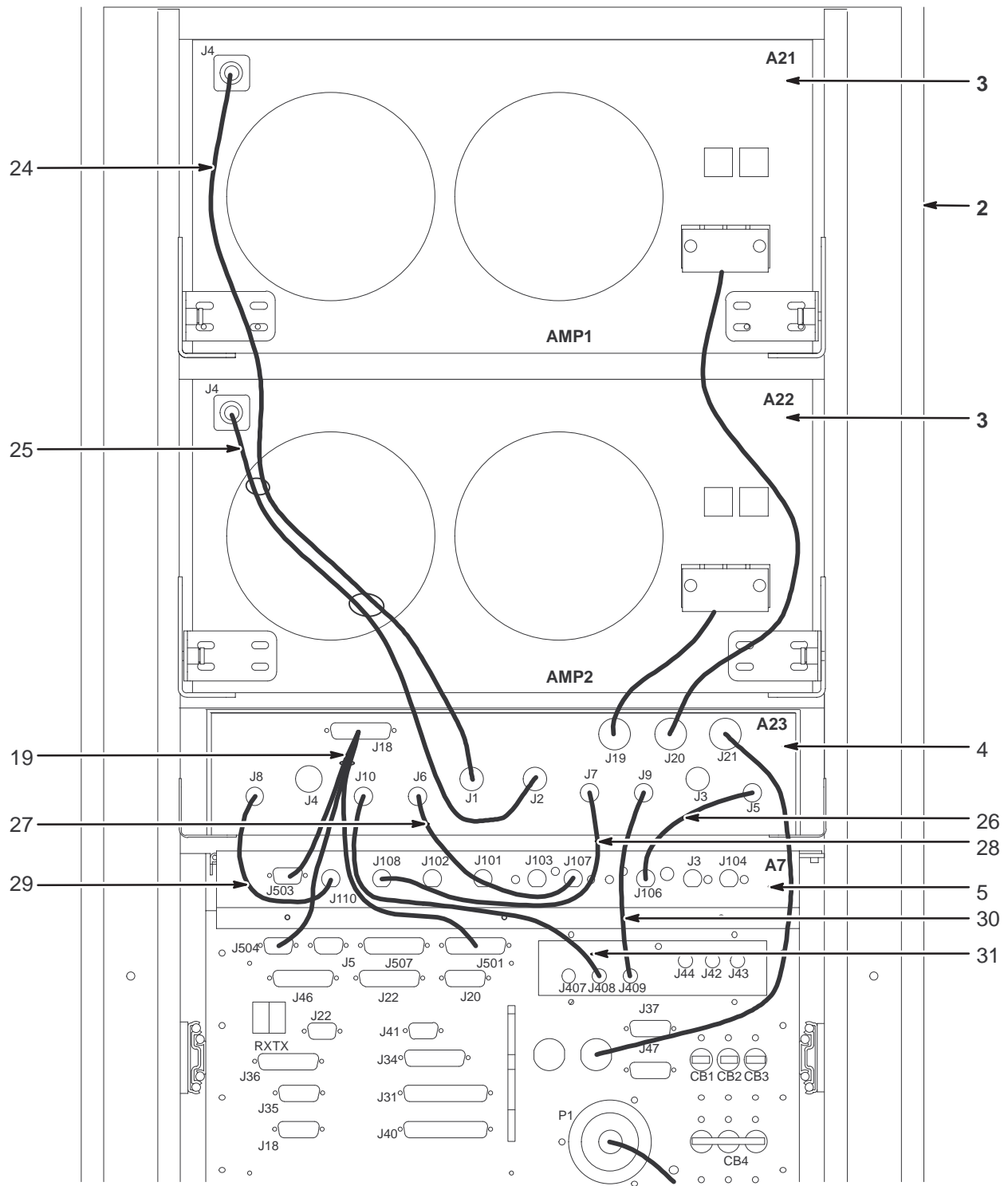


VIEW 2

1.0T RF/PDU CABINET

2174501

MR1



VIEW 3

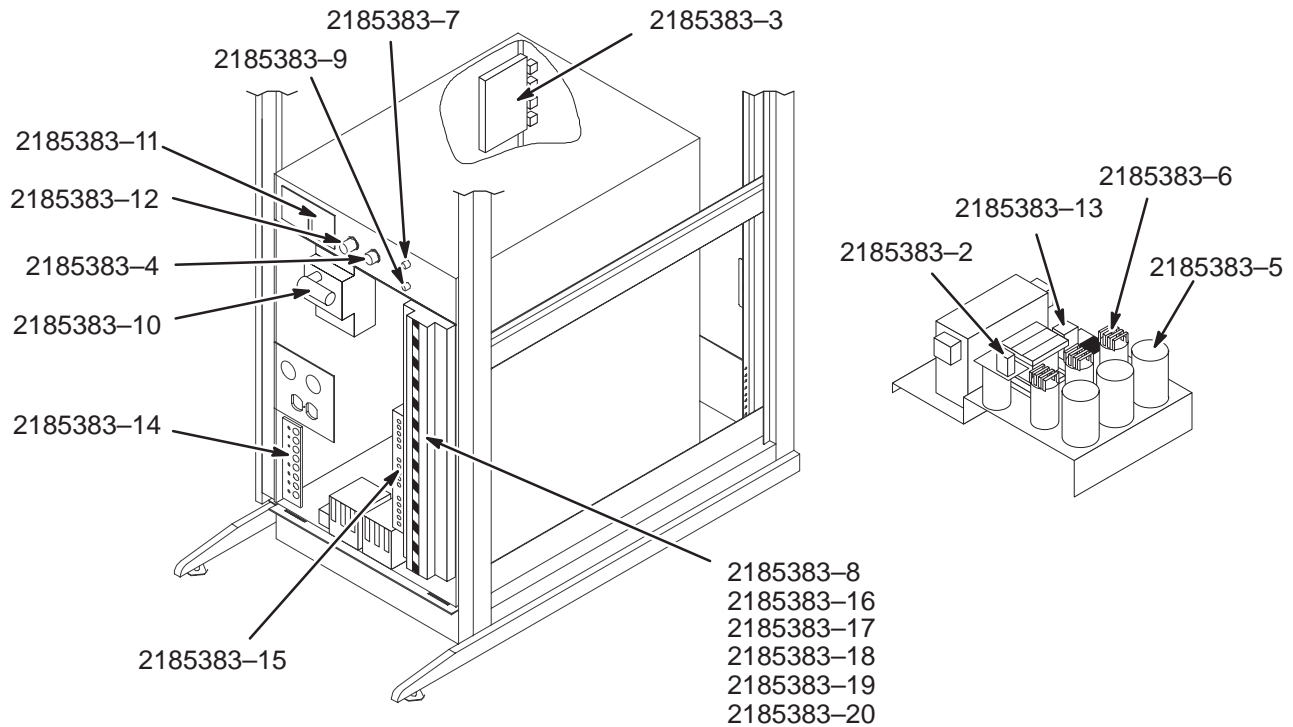
1.0T RF/PDU CABINET 2174501 FRU N (PART 5 OF 46-271000G209 THRU 212 - SECTION 1)

Item	Part Number	FRU	Name	Quantity	Description (Remarks)
2A	2224561	1	PDU	1	1.5T SCALABLE RF PDU (SEE PAGE 14-14)
2B	2185383	N	PDU	ALT	1.0T SCALABLE RF PDU (SEE PAGE 14-6)
3	2170783	1	POWER MODULE	2	RF AMPLIFIER POWER MODULE (SEE PAGE 14-7)
4	2194013	2	PART	1	RF INTERFACE SCALEABLE RF
5	2160200-43	2	RF/PEN CAB	1	ERBTEC #550020 SYST SUPPORT MODULE (SEE PAGE 14-9)
6	2196618	2	ASSEMBLY	1	FRT COVER ASM SCALEABLE RF CAB
10	2199635	2	PART	1	REAR DOOR SCALE-RF CAB
17	2201595	N	PART	1	FIBER OPTIC BRKT
18	46-306565P1	1	AIR FILTER	2	RESEARCH PRODUCTS 10"EZ-CLEAN FILTER
19	2197474	2	PART	1	CABLE
20	46-328000G961	2	ASSEMBLY	2	MR1-A23-J11 TO MR1-A21-J3
21	46-328000G962	2	ASSEMBLY	1	MR1-A23-J12 TO MR1-A22-J3
22	46-328000G963	2	ASSEMBLY	1	MR1-A23-J16 TO MR1-A21-J1
23	46-328000G964	2	ASSEMBLY	1	MR1-A23-J17 TO MR1-A22-J1
24	46-328000G965	2	ASSEMBLY	1	MR1-A23-J1 TO MR1-A21-J4
25	46-328000G966	2	ASSEMBLY	1	MR1-A23-J2 TO MR1-A22-J4
26	46-328000G967	2	ASSEMBLY	1	MR1-A23-J5 TO MR1-A7-J106
27	46-328000G968	2	ASSEMBLY	1	MR1-A23-J6 TO MR1-A7-J107
28	46-328000G969	2	ASSEMBLY	1	MR1-A23-J7 TO MR1-J7-J108
29	46-328000G970	2	ASSEMBLY	1	MR1-A23-J8 TO MR1-A7-J110
30	46-328000G971	2	ASSEMBLY	1	MR1-A23-J9 TO MR1-A7-J409
31	46-328000G972	2	ASSEMBLY	1	MR1-A23-J10 TO MR1-A7-J408
32	46-328000G973	2	ASSEMBLY	1	MR1-A23-J14 TO MR1-A24-J1
33	46-320252P1	2	TEST CABLE	1	RF AMPLIFIER SERIAL PORT INTERFACE
58	46-208758P5	2	TY-RAP	3	13.38"X .301" SELF-LOCKING CABLE TIE
98	46-279632P2	2	GROMMET	6	GROMMET
100	46-328421P13	2	SCREW	8	SCREW PAN HEAD 4 MM 8 MM
101	46-328421P16	2	SCREW	20	SCREW PAN HEAD 4 MM 16 MM
103	46-328431P1	2	WASHER	24	WASHER PLAIN - LARGE 4.3 MM 12 MM
104	46-328433P2	2	WASHER	8	WASHER LOCK - EXTERNAL 4.3 MM 8 MM
106	46-328421P22	2	SCREW	2	SCREW PAN HEAD 6 MM 8 MM
107	46-170015P14	2	SCREW	6	SCREW
108	46-208758P3	2	TY-RAP	2	7.31" X .184" SELF-LOCKING CABLE TIE
111	46-170686P2	2	ADHESIVE	AR	LOCTITE 242, 10CC
112	46-208560P102	2	SCREW	4	SCREW
113	46-208990P1	2	CONNECTOR	1	50 OHM BNC BULKHEAD ADAP'R JACK-JACK
114	46-208758P2	2	TY-RAP	AR	5.5" X .140" SELF-LOCKING CABLE TIE.

1.0T POWER DISTRIBUTION MODULE FRU'S

2185383

MR1PD1



1.0T PDM FRU'S

2185383 FRU N

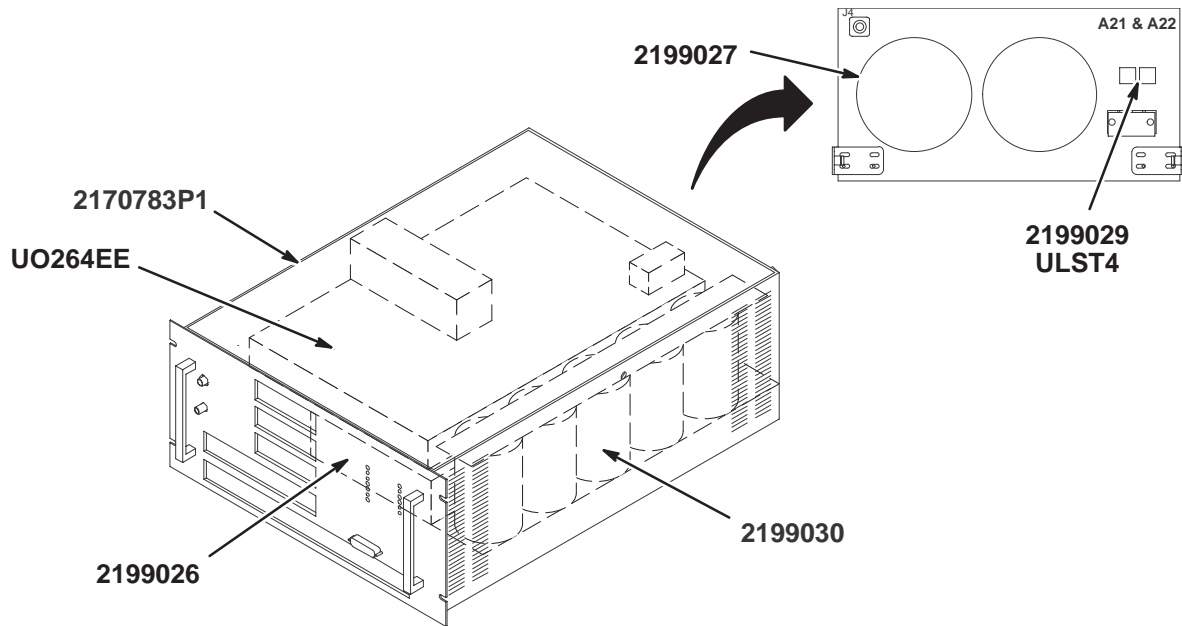
MR1PD1 (PART 2B OF 2174501 PAGE 14-5)

Item	Part Number	FRU	Name	Quantity	Description (Remarks)
	2185383-2	1	TEAL FRU	1	TEAL 4990259 CONTROL CIRCUIT REG(REG1)
	2185383-3	1	TEAL FRU	1	TEAL 4990260 CONTROL PC BOARD
	2185383-4	2	TEAL FRU	1	TEAL 4990261 EMERGENCY RESET SWITCH
	2185383-5	2	TEAL FRU	1	TEAL 4990262 FILTER CAPACITOR MAIN
	2185383-6	2	TEAL FRU	1	TEAL 4990263 FILTER CAPACITOR SNUBBER
	2185383-7	1	TEAL FRU	1	TEAL 4990264 FUSE PACKAGE(F1 & F2) MDA-2
	2185383-8	2	TEAL FRU	2	TEAL 4990272 CIRCUIT BREAKER 16A, 1 POLE
	2185383-9	2	TEAL FRU	1	TEAL 4990265 INPUT CIRCUIT BREAKER MODULE
	2185383-10	2	TEAL FRU	1	TEAL 4990266 INPUT CIRCUIT BREAKER SHUNT TRIP MOD
	2185383-11	1	TEAL FRU	1	TEAL 4990267 MOV MODULE
	2185383-12	1	TEAL FRU	1	TEAL 4990268 POWER OFF SWITCH
	2185383-13	1	TEAL FRU	1	TEAL 4990269 RELAY MODULE (RY1)
	2185383-14	2	TEAL FRU	1	TEAL 4990270 VOLTAGE DIVIDER PC BOARD
	2185383-15	2	TEAL FRU	1	TEAL 4990271 TAP SELECTION JUMPER WIRES
	2185383-16	2	TEAL FRU	2	TEAL 4990273 CIRCUIT BREAKER 63A, 3 POLE
	2185383-17	2	TEAL FRU	4	TEAL 4990274 CIRCUIT BREAKER 32A, 3 POLE
	2185383-18	2	TEAL FRU	1	TEAL 4990275 CIRCUIT BREAKER 25A, 3 POLE
	2185383-19	2	TEAL FRU	1	TEAL 4990276 CIRCUIT BREAKER 20A, 1 POLE
	2185383-20	2	TEAL FRU	2	TEAL 4990277 CIRCUIT BREAKER 16A, 2 POLE

RF AMPLIFIER POWER MODULE

2170783

MR1A21 & A22



RF AMPLIFIER POWER MODULE

2170783 FRU 1

(PART 3 OF 2174501 PAGE 14-5)

Item	Part Number	FRU	Name	Quantity	Description (Remarks)
	2170783P1	1	RF MODULE	1	RF AMPLIFIER POWER MODULE
	2199026	2	POWER SUPPLY	1	P9366LM POWER SUPPLY
	UO264EE	1	POWER SUPPLY	1	POWER SUPPLY EWS1500-48
	2199027	2	FAN ASSEMBLY	1	P9366LN FAN ASSEMBLY
	2199028	2	FUSE HOLDER	1	P9366LP FUSE HOLDER
	2199029	1	FUSE	1	P9366LQ FUSE 0.5A
	2199030	2	CAPACITOR	1	P9366LR CAPACITOR

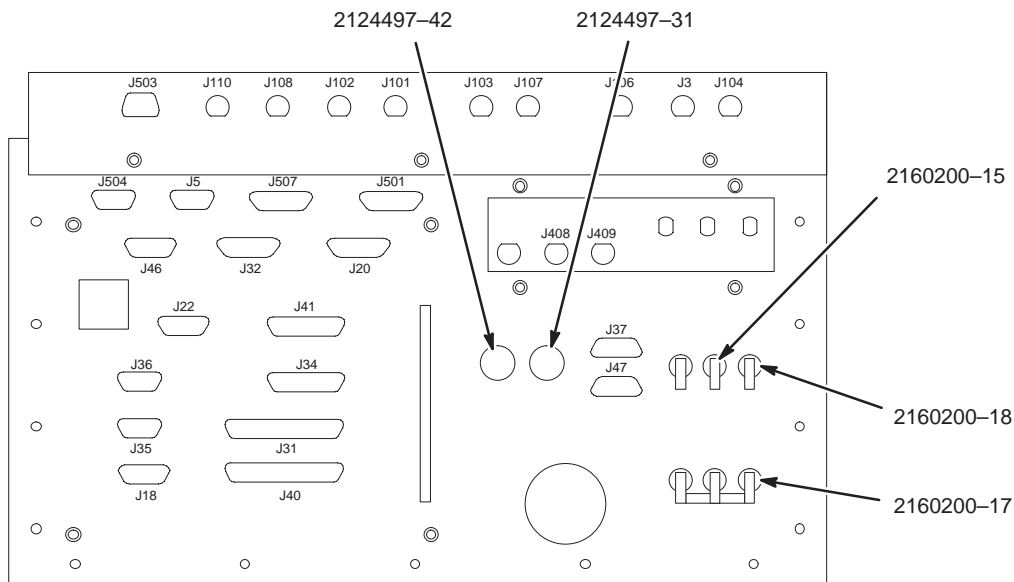
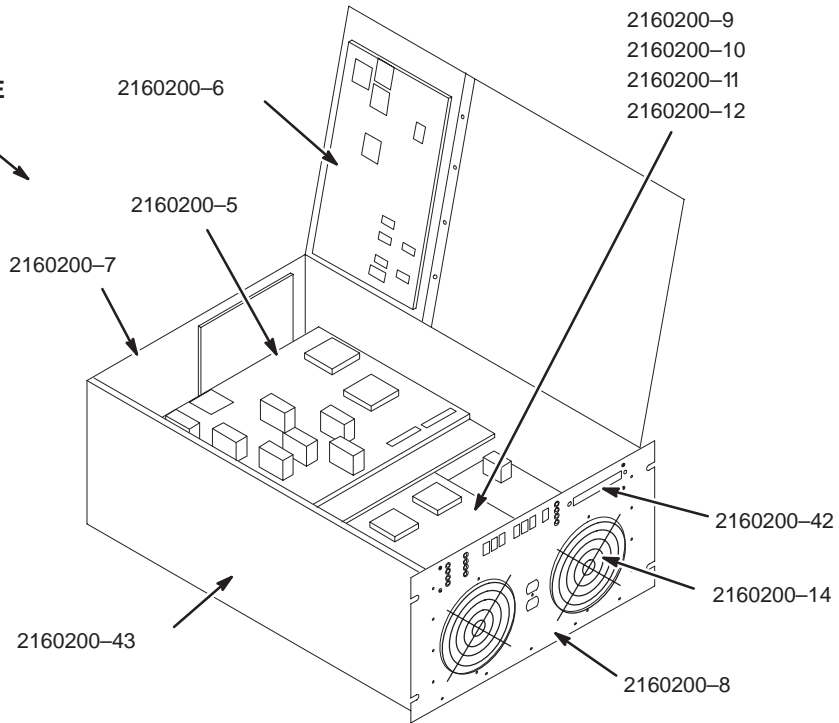
SYSTEM SUPPORT MODULE FRU'S

2160200-43

MR1A7

PARTS LOCATED IN,
SYSTEM SUPPORT MODULE

- 2160200-19
- 2160200-20
- 2160200-21
- 2160200-22
- 2160200-23
- 2160200-25
- 2160200-27
- 2160200-39
- 2160200-40
- 2160200-41



SYSTEM SUPPORT MODULE FRU'S 2160200-43 FRU 2

(PART 5 OF 2174501 PAGE 14-5)

(PART 5 OF 2224560 PAGE 14-13)

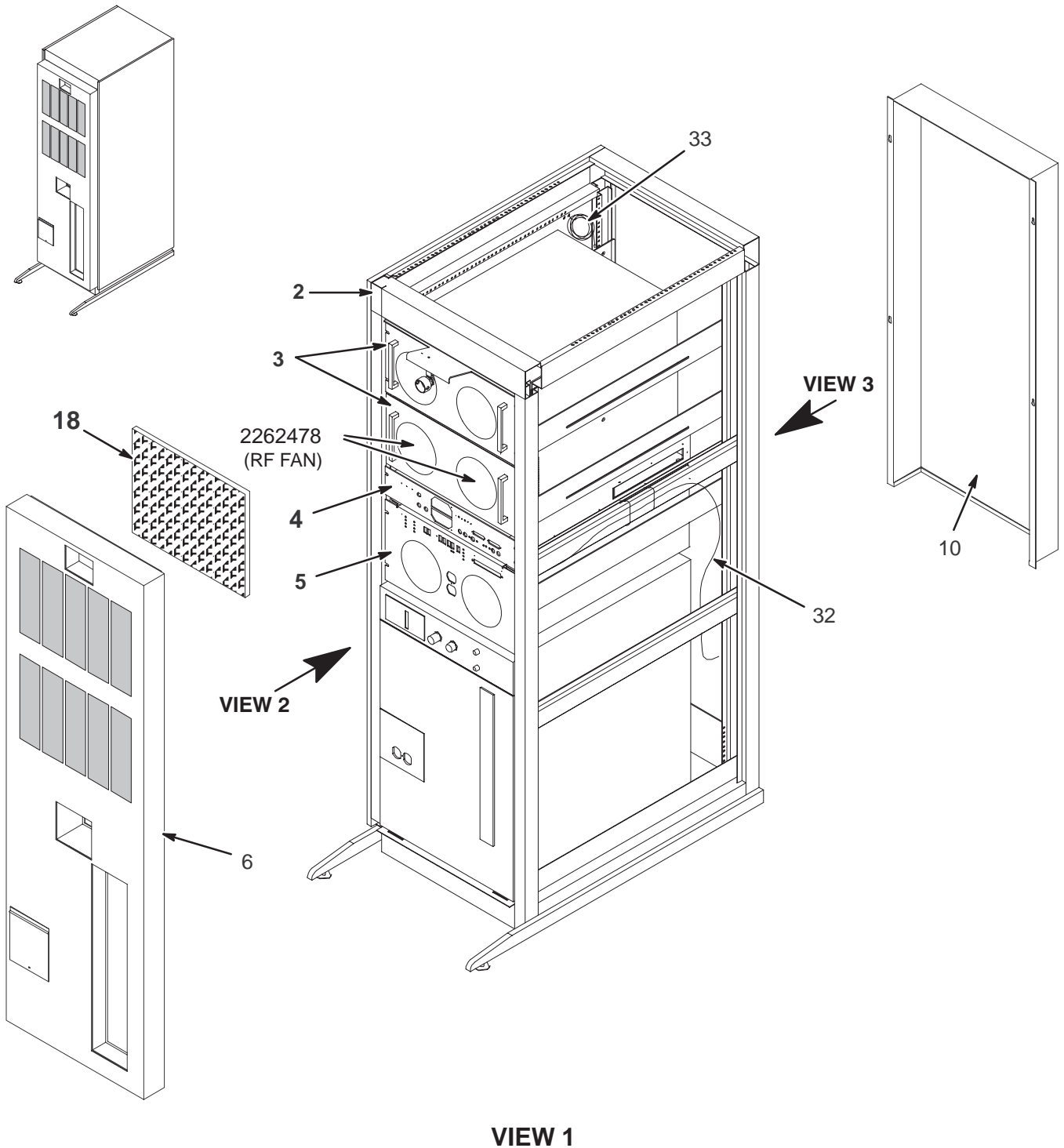
Item	Part Number	FRU	Name	Quantity	Description (Remarks)
	2160200-5	1	RF/PEN CAB	1	ERBTEC #550015 CPD MODULE FRU
	2160200-6	1	RF/PEN CAB	1	ERBTEC #550013 APM MODULE FRU
	2160200-7	1	RF/PEN CAB	1	ERBTEC #550016 REAR PANEL ASM FRU
	2160200-8	1	RF/PEN CAB	1	ERBTEC #550017 FRONT PANEL ASM FRU
	2160200-9	1	RF/PEN CAB	1	ERBTEC #550014 PWR SUPPLY (3 BD) FRU
	2160200-10	2	RF/PEN CAB	1	ERBTEC #550026 HV PWR SUPPLY BD FRU
	2160200-11	2	RF/PEN CAB	1	ERBTEC #550027 DOCK/LIGHT PS BD FRU
	2160200-12	2	RF/PEN CAB	1	ERBTEC #550028 BUCK BOOST PS BD FRU
	2160200-14	2	RF/PEN CAB	1	ERBTEC #3260009 FAN FRU
	2160200-15	2	RF/PEN CAB	1	ERBTEC #3280007 7.5 A CKT BRKR FRU
	2160200-17	2	RF/PEN CAB	1	ERBTEC #3280009 15 A CKT BRKR FRU
	2160200-18	2	RF/PEN CAB	1	ERBTEC #3280010 10 A CKT BRKR FRU
	2160200-19	2	RF/PEN CAB	1	ERBTEC #550009 SSM HARNESS FRU
	2160200-20	2	RF/PEN CAB	1	ERBTEC #550039 DOCK/REAR I/F CABLE
	2160200-21	2	RF/PEN CAB	1	ERBTEC #550047 DOCK/REAR I/F RIBBON
	2160200-22	2	RF/PEN CAB	1	ERBTEC #550018 RIBBON CABLE FRU
	2160200-23	2	RF/PEN CAB	1	ERBTEC #550019 DISPLAY RIB'N CBL FRU
	2160200-25	2	RF/PEN CAB	1	ERBTEC #550010 HV POWER CABLE FRU
	2160200-27	2	RF/PEN CAB	1	ERBTEC #550012 LOW VOLT PWR CBL FRU
	2160200-39	2	RF/PEN CAB	1	ERBTEC #550031 BUCK/HVPS CABLE
	2160200-40	2	RF/PEN CAB	1	ERBTEC #550032 BUCK/DOCK CABLE
	2160200-41	2	RF/PEN CAB	1	ERBTEC #550033 LOW CURRENT CABLE
	2160200-42	2	RF/PEN CAB	1	ERBTEC #510199 SSM LED COVER
	2160200-43	2	RF/PEN CAB	1	ERBTEC #550020 SYSTEM SUPPORT MODULE
	2124497-31	2	CORD	1	ERBTEC #450039 RF AMP POWER CORD FRU
	2124497-42	2	CORD	1	ERBTEC #450142 SPECTRO AMP PWR CORD

14-2 1.5T RF/PDU CABINET

1.5T RF/PDU CABINET ASSEMBLY

2224560

MR1

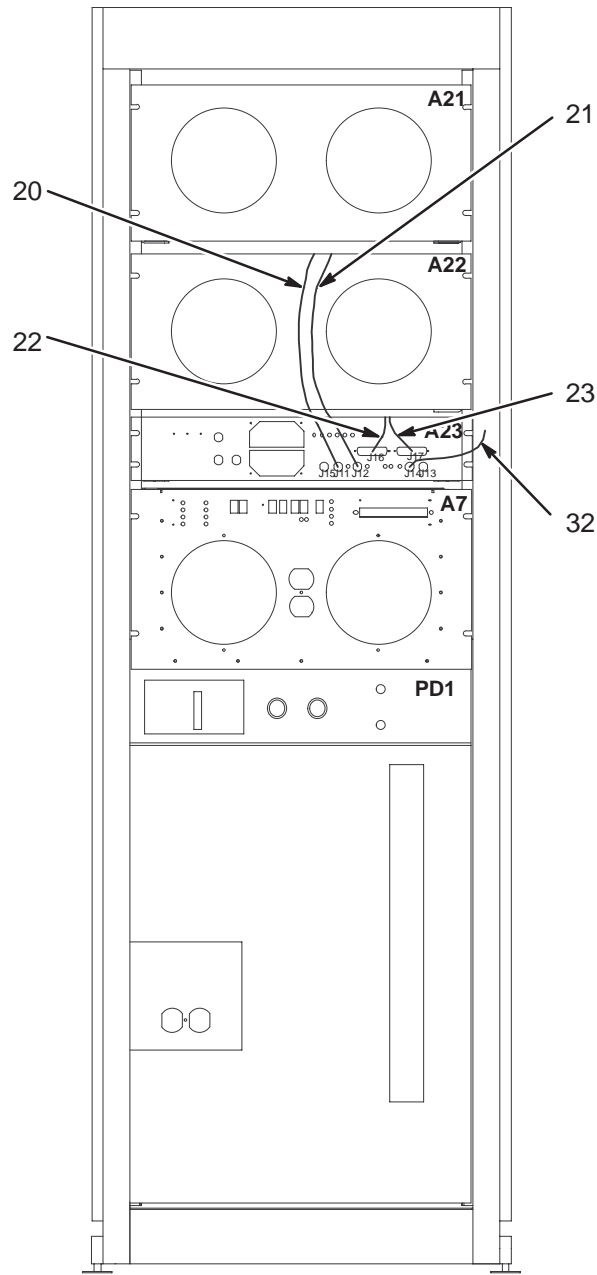


VIEW 1

1.5T RF/PDU CABINET ASSEMBLY

2224560

MR1



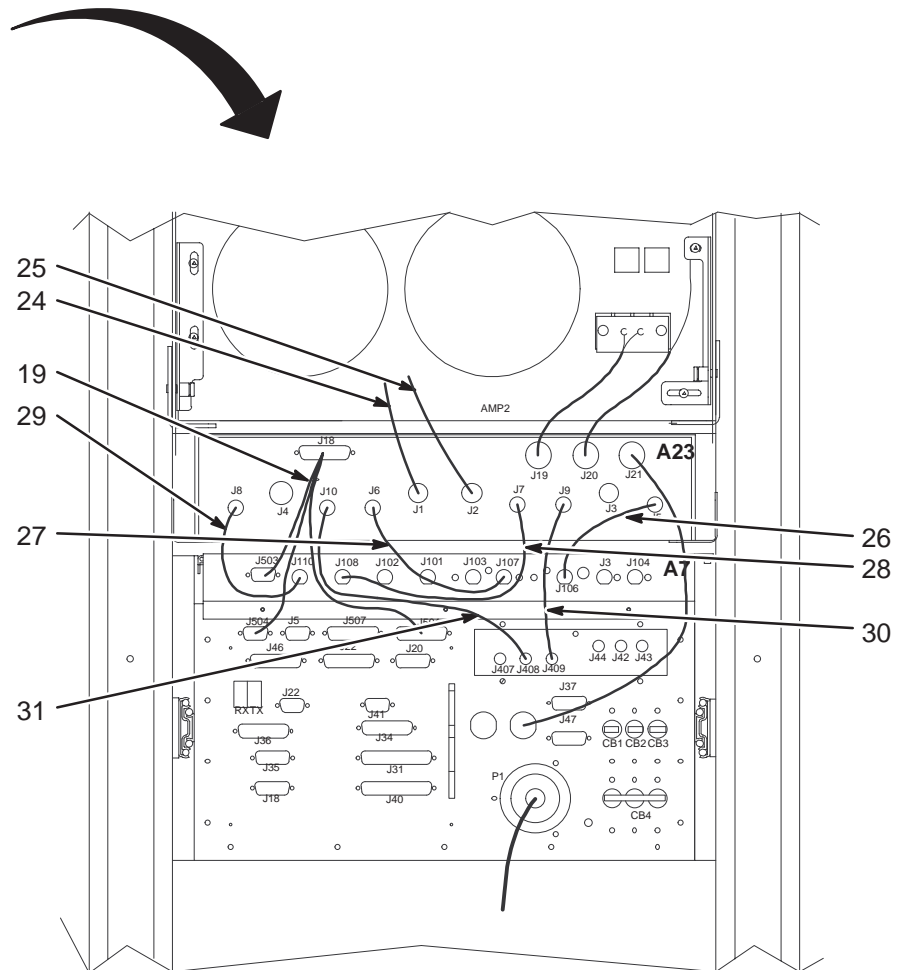
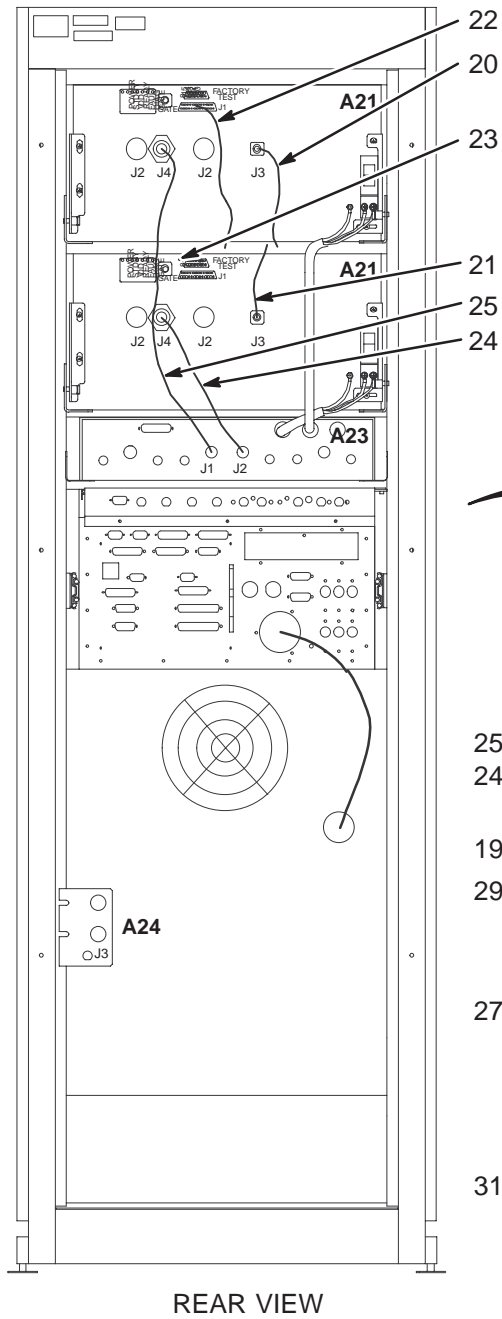
FRONT VIEW

VIEW 2

1.5T RF/PDU CABINET ASSEMBLY

2224560

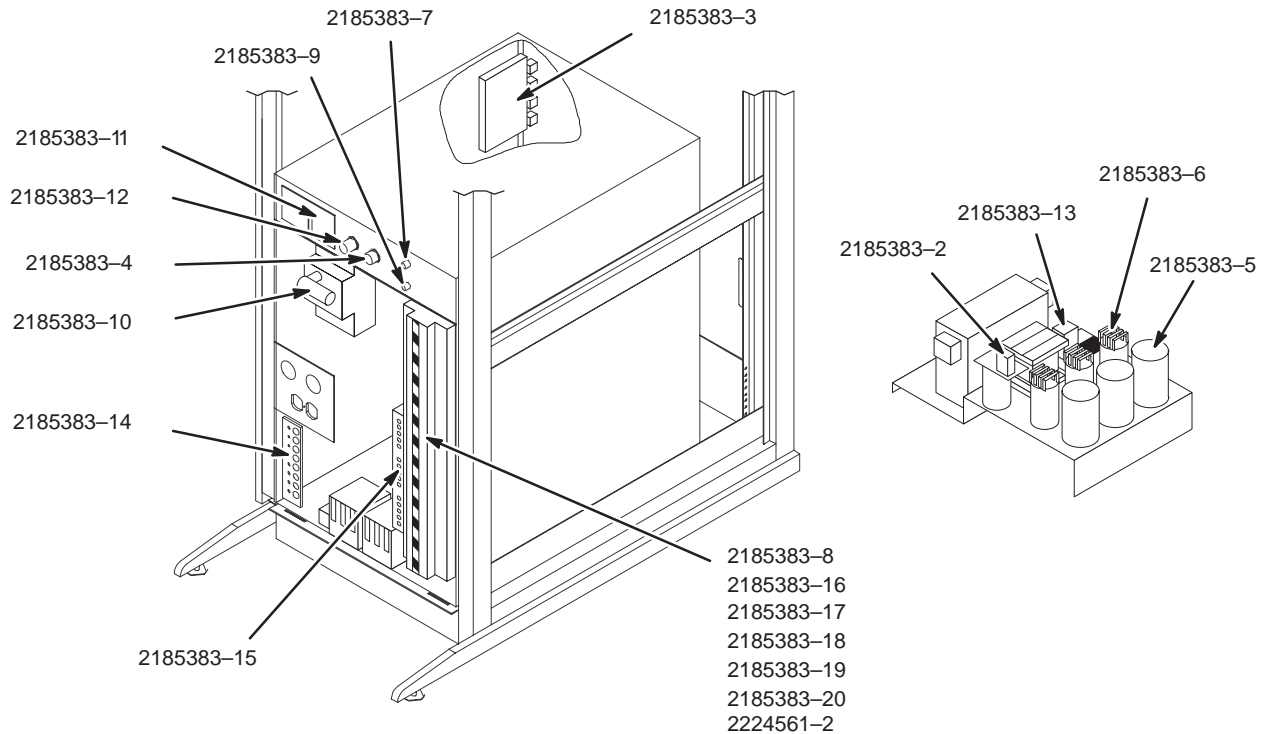
MR1



1.5T POWER DISTRIBUTION MODULE FRU'S

2224561

MR1PD1



1.5T PDM FRU'S

2224561 FRU 1

(PART 2A OF 2174501 PAGE 14-5)
(PART 2 OF 2224560 PAGE 14-13)

Item	Part Number	FRU	Name	Quantity	Description (Remarks)
	2185383-2	1	TEAL FRU	1	TEAL 4990259 CONTROL CIRCUIT REG(REG1)
	2185383-3	1	TEAL FRU	1	TEAL 4990260 CONTROL PC BOARD
	2185383-4	2	TEAL FRU	1	TEAL 4990261 EMERGENCY RESET SWITCH
	2185383-5	2	TEAL FRU	1	TEAL 4990262 FILTER CAPACITOR MAIN
	2185383-6	2	TEAL FRU	1	TEAL 4990263 FILTER CAPACITOR SNUBBER
	2185383-7	1	TEAL FRU	1	TEAL 4990264 FUSE PACKAGE(F1 & F2) MDA-2
	2185383-8	2	TEAL FRU	2	TEAL 4990272 CIRCUIT BREAKER 16A, 1 POLE
	2185383-9	2	TEAL FRU	1	TEAL 4990265 INPUT CIRCUIT BREAKER MODULE
	2185383-10	2	TEAL FRU	1	TEAL 4990266 INPUT CIRCUIT BREAKER SHUNT TRIP MOD
	2185383-11	1	TEAL FRU	1	TEAL 4990267 MOV MODULE
	2185383-12	1	TEAL FRU	1	TEAL 4990268 POWER OFF SWITCH
	2185383-13	1	TEAL FRU	1	TEAL 4990269 RELAY MODULE (RY1)
	2185383-14	2	TEAL FRU	1	TEAL 4990270 VOLTAGE DIVIDER PC BOARD
	2185383-15	2	TEAL FRU	1	TEAL 4990271 TAP SELECTION JUMPER WIRES
	2185383-16	2	TEAL FRU	2	TEAL 4990273 CIRCUIT BREAKER 63A, 3 POLE
	2185383-17	2	TEAL FRU	4	TEAL 4990274 CIRCUIT BREAKER 32A, 3 POLE
	2185383-18	2	TEAL FRU	1	TEAL 4990275 CIRCUIT BREAKER 25A, 3 POLE
	2185383-19	2	TEAL FRU	1	TEAL 4990276 CIRCUIT BREAKER 20A, 1 POLE
	2185383-20	2	TEAL FRU	2	TEAL 4990277 CIRCUIT BREAKER 16A, 2 POLE
	2224561-2	2	TEAL FRU	1	TEAL 0450496 CIRCUIT BREAKER 40A, 3POLE

1.5T RF AMPLIFIER POWER MODULE 2224562 FRU N (PART 3 OF 2224560 PAGE 14-13)

Item	Part Number	FRU	Name	Quantity	Description (Remarks)
	2224562-2	1	FRU	1	1.5T RF AMP POWER MODULE W/FRU PACKAGING
	2262478	1	FAN	2	GRADIENT/RF FAN FRU
	2224562-4	1	PART	2	50 OHM DUMMY LOAD

1.5T RF INTERFACE MODULE FRU KIT 2263188 FRU 1 (PART 4 OF 2224560 PAGE 14-13)

Item	Part Number	FRU	Name	Quantity	Description (Remarks)
1	2255388	N	MODULE	1	1.5T RF INTERFACE MODULE
2	2317095	N	CABLE	1	23", RG214 WITH HN CONNECTORS
3	2317095-2	N	CABLE	1	23", RG214 WITH HN CONNECTORS