

SECTION 4 – PENETRATION PANEL

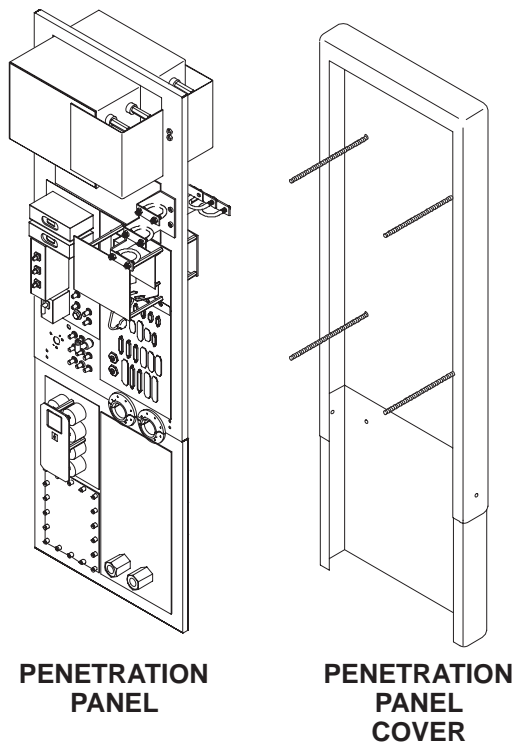
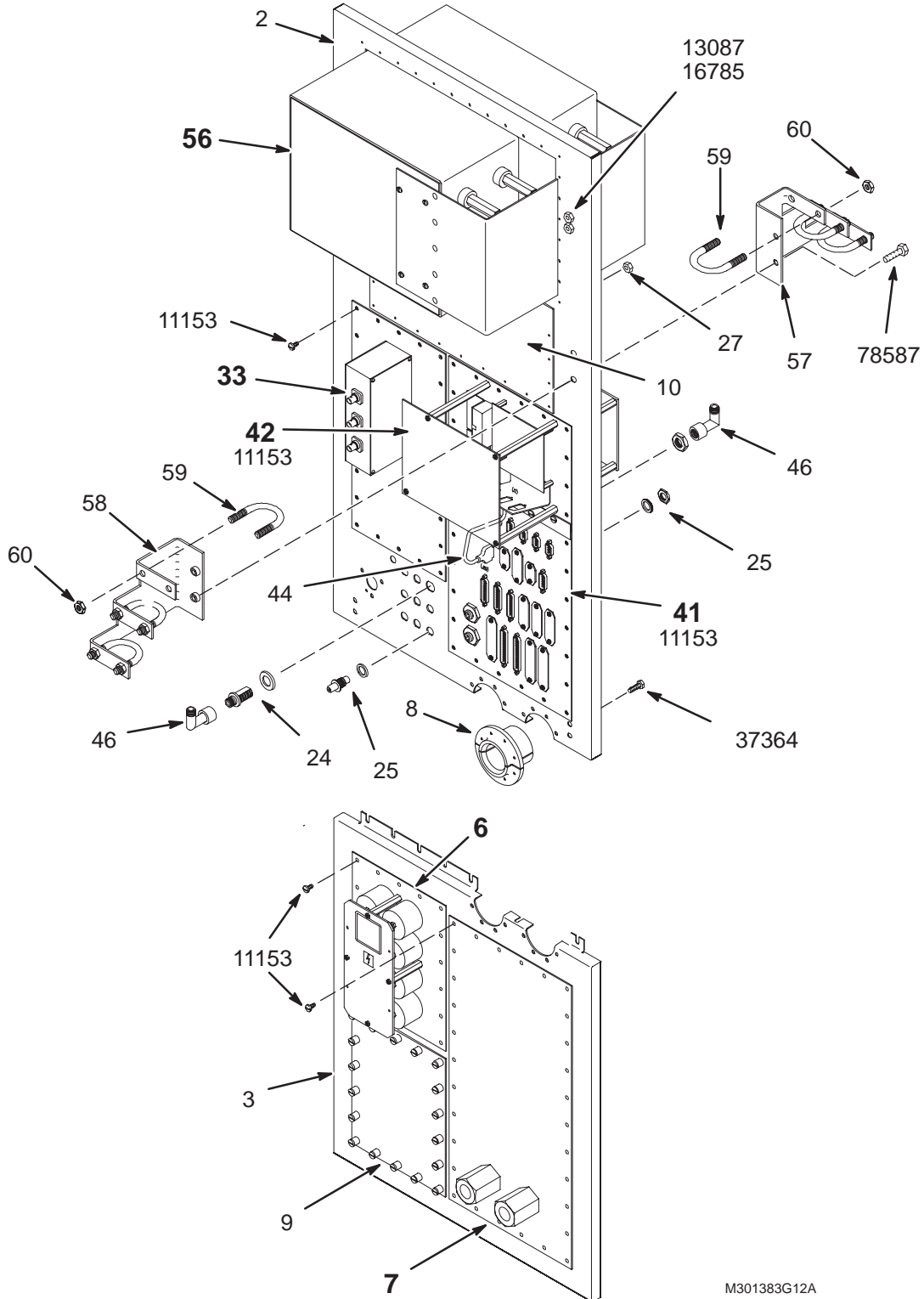


TABLE OF CONTENTS

<u>SECTION</u>	<u>PAGE</u>
4-1 PENETRATION PANELS	4-2
Contains information on non-EXCITE, EXCITE, and TwinSpeed Penetration Panels	
PENETRATION PANEL w/o MULTICOIL	46-301383G12 .. 4-3
PENETRATION PANEL w/o MULTICOIL	46-301383G18 .. 4-4
PENETRATION PANEL w/MULTICOIL	46-301383G13 .. 4-6
PENETRATION PANEL w/MULTICOIL	46-301383G19 .. 4-7
TwinSpeed PENETRATION PANEL w/MULTICOIL	46-301383G17 .. 4-9
EXCITE II PENETRATION PANEL w/MULTICOIL	2377529 4-11
EXCITE II TwinSpeed PENETRATION PANEL w/MULTICOIL	2377529-2 4-13
4-2 PENETRATION PANEL COVERS	4-26
Contains information on Fixed, T/R, and Mobile covers	
PENETRATION PANEL COVER – FIXED	46-317126G3 ... 4-26
PENETRATION PANEL COVER – MOBILE & T/R	46-317126G4 ... 4-26

4-1 PENETRATION PANELS

PENETRATION PANEL WITHOUT MULTICOIL 46-301383G12 & G18



M301383G12A

PEN PANEL w/o MULTICOIL 46-301383G12 FRU N (PART OF M1000PM, M1020PM, M1030PM)
 (PART OF M1000PN, M1020PN M1030PN)
 (PART OF M1800PM, M1810PM, M1820PM)
 (PART OF M1800PN, M1810PN M1820PN)

Item	Part Number	FRU	Name	Quantity	Description (Remarks)
2	2133755	N	PANEL	1	UPPER PENETRATION PANEL, ALUMINUM
3	2133756	2	I/F WALL	1	LOWER PENETRATION PANEL SECTION
6	46-301385G4	N	FILTER ASM	1	SHIELD COOLER/BLOWER FILTER PANEL (SEE PAGE 4-16)
7	2121610	N	PLATE ASM	1	INSERT PLATE W/WAVE GUIDES (SEE PAGE 4-17)
8	46-301177P1	2	ADAPTER	2	HELIUM LINE FEED THROUGH GUIDE
9	46-282629G1	2	COVER ASM.	1	MAGNET RAMP PORT, PP1 A6
10	46-282638G1	2	COVER ASM.	1	BLANK RESISTIVE SHIM COVER PLATE
20	46-208937P6	2	NUT	23	#10-32 NUT LOCK, NYLOCK SST
24	46-221865P1	2	CONNECTOR	1	UG-30, N BULKHEAD, 50-OHM, JACK-JACK
25	46-208990P1	2	CONNECTOR	8	50 OHM BNC BULKHEAD ADAP'R JACK-JACK
27	46-208937P5	2	NUT	24	#8-32 LOCK NUT, NYLOCK SST
33	46-301353G2	N	PANEL ASM	1	1000V DYNAMIC DISABLE FILTER PANEL (SEE PAGE 4-19)
41	46-307572G3	N	PANEL ASM	1	SUB-D CABLE FILTER PANEL, UFI SYSTEM (SEE PAGE 4-23)
42	46-328039G1	2	REPEATER ASM	1	REPEATER PANEL, PP1 A17 (SEE PAGE 4-15)
44	46-243775G860	2	CABLE	1	PP1-J89 TO PP1-A17-J2, 2-FT, 15-COND
46	46-221865P3	2	CONNECTOR	2	UG-27B RT-ANGLE N, 50-OHM JACK-PLUG
50	46-301216P1	2	PLATE	2	BLANK COVER PLATE FOR J60/61 HE LINE
56	46-320232G1	1	GRAD FILTER	1	GRADIENT FILTER ASM (SEE PAGE 4-24)
57	2236923	2	BRACKET	1	EXAM SIDE BRACKET
58	2236924	2	BRACKET	1	EQUIP SIDE BRACKET
59	2113244-2	2	U-BOLT	6	1.25" INSIDE DIA. 3/8-16 THD. 303SST
60	46-208935P10	2	NUT	16	3/8-16 .625 HEX X .250 THK BRASS
70	46-208560P82	2	SCREW	136	SCREW, 10-32 X 3/8 BHMS, SS
71	46-208932P3	2	SCREW	8	SCREW, CAP 5/16-18 X 3/4 HEX HD SS
72	46-208935P9	2	NUT	8	5/16-18, .563 HEX X .219 THK, BRASS
73	46-208560P102	2	SCREW	16	SCREW, 10-32 X 5/8 BHMS, SS
74	1000904P425	2	WASHER	7	0.2 ID, 0.5 OD, .04 THK, B11H89C
75	46-208560P110	2	SCREW	36	SCREW, 6-32 X 3/8 BHMS, SS
76	46-208939P16	2	SCREW	2	SCREW,CAP 5/16-18 X 5/8 HEX HD BRASS

PEN PANEL w/o MULTICOIL

46-301383G18 FRU N

(PART 2 OF M3842PA PAGE 1-57)

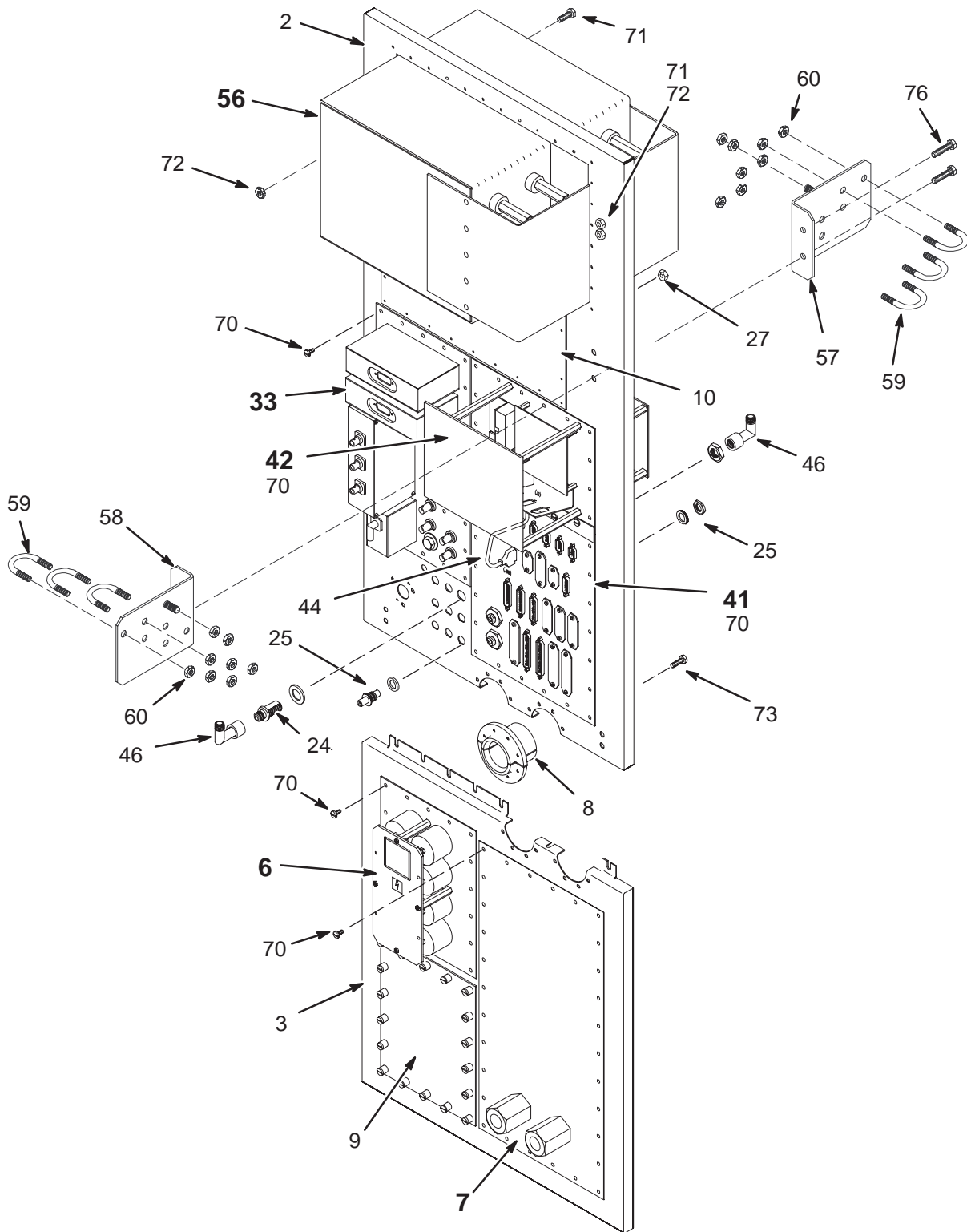
(PART 2 OF M3852PA PAGE 1-58)

(PART 2 OF M3862PA PAGE 1-59)

Item	Part Number	FRU	Name	Quantity	Description (Remarks)
2	2133755-2	N	PANEL	1	UPPER PENETRATION PANEL, ALUMINUM
3	2133756	2	I/F WALL	1	LOWER PENETRATION PANEL SECTION
6	46-301385G4	N	FILTER ASM	1	SHIELD COOLER/BLOWER FILTER PANEL (SEE PAGE 4-16)
7	2121610	N	PLATE ASM	1	INSERT PLATE W/WAVE GUIDES (SEE PAGE 4-17)
8	46-301177P1	2	ADAPTER	2	HELIUM LINE FEED THROUGH GUIDE
9	46-282629G1	2	COVER ASM.	1	MAGNET RAMP PORT, PP1 A6
10	46-282638G1	2	COVER ASM.	1	BLANK RESISTIVE SHIM COVER PLATE
20	46-208937P6	N	NUT	23	#10-32 NUT LOCK, NYLOCK SST
24	46-221865P1	N	CONNECTOR	1	UG-30, N BULKHEAD, 50-OHM, JACK-JACK
25	46-208990P1	N	CONNECTOR	8	50 OHM BNC BULKHEAD ADAP'R JACK-JACK
27	46-208937P5	N	NUT	24	#8-32 LOCK NUT, NYLOCK SST
33	46-301353G2	N	PANEL ASM	1	1000V DYNAMIC DISABLE FILTER PANEL (SEE PAGE 4-19)
41	46-307572G3	N	PANEL ASM	1	SUB-D CABLE FILTER PANEL, UFI SYSTEM (SEE PAGE 4-23)
42	46-328039G2	1	REPEATER ASM	1	PEN PANEL REPEATER BOARD ASSEMBLY (SEE PAGE 4-15)
44	46-243775G860	2	CABLE	1	PP1-J89 TO PP1-A17-J2, 2-FT, 15-COND
46	46-221865P3	N	CONNECTOR	2	UG-27B RT-ANGLE N, 50-OHM JACK-PLUG
50	46-301216P1	2	PLATE	2	BLANK COVER PLATE FOR J60/61 HE LINE
56	46-320232G1	1	GRAD FILTER	1	GRADIENT FILTER ASM (SEE PAGE 4-24)
57	2236923	N	BRACKET	1	EXAM SIDE BRACKET
58	2236924	N	BRACKET	1	EQUIP SIDE BRACKET
59	2113244-2	N	U-BOLT	6	1.25" INSIDE DIA. 3/8-16 THD. 303SST
60	46-208935P10	N	NUT	16	3/8-16 .625 HEX X .250 THK BRASS
70	46-208560P82	N	SCREW	136	SCREW, 10-32 X 3/8 BHMS, SS
71	46-208932P3	N	SCREW	8	SCREW, CAP 5/16-18 X 3/4 HEX HD SS
72	46-208935P9	N	NUT	10	5/16-18, .563 HEX X .219 THK, BRASS
73	46-208560P102	N	SCREW	16	SCREW, 10-32 X 5/8 BHMS, SS
74	1000904P425	N	WASHER	7	0.2 ID, 0.5 OD, .04 THK, B11H89C
75	46-208560P110	N	SCREW	36	SCREW, 6-32 X 3/8 BHMS, SS
76	46-208939P16	N	SCREW	4	SCREW,CAP 5/16-18 X 5/8 HEX HD BRASS

PENETRATION PANEL WITH MULTICOIL

46-301383G13 & G19



PEN PANEL with MULTICOIL 46-301383G13 FRU N **(PART OF M1001PM, M1021PM, M1031PM)**
(PART OF M1001PN, M1021PN M1031PN0
(PART OF M1801PM, M1811PM, M1821PM)
(PART OF M1801PN, M1811PN M1821PN)

Item	Part Number	FRU	Name	Quantity	Description (Remarks)
2	2133755-2	N	PANEL	1	UPPER PENETRATION PANEL, ALUMINUM
3	2133756	2	I/F WALL	1	LOWER PENETRATION PANEL SECTION
6	46-301385G4	N	FILTER ASM	1	SHIELD COOLER/BLOWER FILTER PANEL (SEE PAGE 4-16)
7	2121610	N	PLATE ASM	1	INSERT PLATE W/WAVE GUIDES (SEE PAGE 4-17)
8	46-301177P1	2	ADAPTER	2	HELIUM LINE FEED THROUGH GUIDE
9	46-282629G1	2	COVER ASM.	1	MAGNET RAMP PORT, PP1 A6
10	46-282638G1	2	COVER ASM.	1	BLANK RESISTIVE SHIM COVER PLATE
20	46-208937P6	2	NUT	23	#10-32 NUT LOCK, NYLOCK SST
24	46-221865P1	2	CONNECTOR	1	UG-30, N BULKHEAD, 50-OHM, JACK-JACK
25	46-208990P1	2	CONNECTOR	8	50 OHM BNC BULKHEAD ADAP'R JACK-JACK
27	46-208937P5	2	NUT	24	#8-32 LOCK NUT, NYLOCK SST
33	2133922	N	FILTER PANEL	1	ADAPTER PLATE ASM. FOR MULTICOIL (SEE PAGE 4-20)
41	46-307572G3	N	PANEL ASM	1	SUB-D CABLE FILTER PANEL, UFI SYSTEM (SEE PAGE 4-23)
42	46-328039G1	2	REPEATER ASM	1	REPEATER PANEL, PP1 A17 (SEE PAGE 4-15)
44	46-243775G860	2	CABLE	1	PP1-J89 TO PP1-A17-J2, 2-FT, 15-COND
46	46-221865P3	2	CONNECTOR	2	UG-27B RT-ANGLE N, 50-OHM JACK-PLUG
50	46-301216P1	2	PLATE	2	BLANK COVER PLATE FOR J60/61 HE LINE
56	46-320232G1	1	GRAD FILTER	1	GRADIENT FILTER ASM (SEE PAGE 4-24)
57	2236923	2	BRACKET	1	EXAM SIDE BRACKET
58	2236924	2	BRACKET	1	EQUIP SIDE BRACKET
59	2113244-2	2	U-BOLT	6	1.25" INSIDE DIA. 3/8-16 THD. 303SST
60	46-208935P10	2	NUT	16	3/8-16 .625 HEX X .250 THK BRASS
70	46-208560P82	2	SCREW	136	SCREW, 10-32 X 3/8 BHMS, SS
71	46-208932P3	2	SCREW	8	SCREW, CAP 5/16-18 X 3/4 HEX HD SS
72	46-208935P9	2	NUT	10	5/16-18, .563 HEX X .219 THK, BRASS
73	46-208560P102	2	SCREW	16	SCREW, 10-32 X 5/8 BHMS, SS
74	1000904P425	2	WASHER	7	0.2 ID, 0.5 OD, .04 THK, B11H89C
75	46-208560P110	2	SCREW	36	SCREW, 6-32 X 3/8 BHMS, SS
76	46-208939P16	2	SCREW	4	SCREW,CAP 5/16-18 X 5/8 HEX HD BRASS

PEN PANEL with MULTICOIL 46-301383G19 FRU N

(PART 2 OF M3043PA PAGE 1-52)
 (PART 2 OF M3044PA PAGE 1-52)
 (PART 2 OF M3063PA PAGE 1-53)
 (PART 2 OF M3053PA PAGE 1-53)
 (PART 2 OF M3073PA PAGE 1-54)
 (PART 2 OF M3083PA PAGE 1-54)
 (PART 2 OF M3093PA PAGE 1-55)
 (PART 2 OF M3843PA PAGE 1-57)
 (PART 2 OF M3853PA PAGE 1-58)
 (PART 2 OF M3863PA PAGE 1-59)
 (PART 2 OF M3043TA PAGE 1-74)
 (PART 2 OF M3053TA PAGE 1-74)
 (PART 2 OF M3063TA PAGE 1-75)

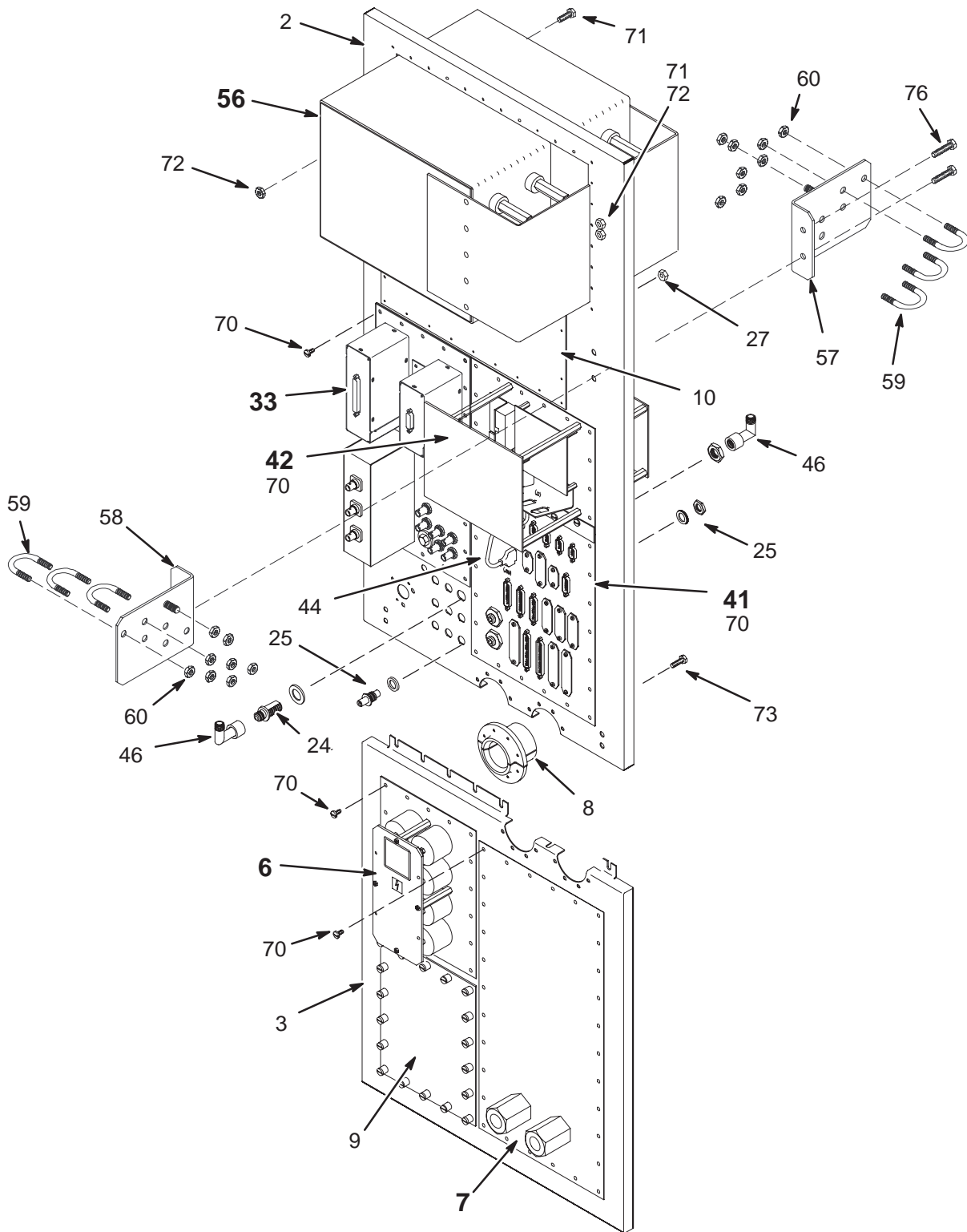
Item	Part Number	FRU	Name	Quantity	Description (Remarks)
2	2133755-2	N	PANEL	1	UPPER PENETRATION PANEL, ALUMINUM
3	2133756	2	I/F WALL	1	LOWER PENETRATION PANEL SECTION
6	46-301385G4	N	FILTER ASM	1	SHIELD COOLER/BLOWER FILTER PANEL (SEE PAGE 4-16)
7	2121610	N	PLATE ASM	1	INSERT PLATE W/WAVE GUIDES (SEE PAGE 4-17)
8	46-301177P1	2	ADAPTER	2	HELIUM LINE FEED THROUGH GUIDE
9	46-282629G1	2	COVER ASM.	1	MAGNET RAMP PORT, PP1 A6
10	46-282638G1	2	COVER ASM.	1	BLANK RESISTIVE SHIM COVER PLATE
20	46-208937P6	N	NUT	23	#10-32 NUT LOCK, NYLOCK SST
24	46-221865P1	N	CONNECTOR	1	UG-30, N BULKHEAD, 50-OHM, JACK-JACK
25	46-208990P1	N	CONNECTOR	8	50 OHM BNC BULKHEAD ADAP'R JACK-JACK
27	46-208937P5	N	NUT	24	#8-32 LOCK NUT, NYLOCK SST
33	2133922	N	FILTER PANEL	1	ADAPTER PLATE ASM. FOR MULTICOIL (SEE PAGE 4-20)
41	46-307572G3	N	PANEL ASM	1	SUB-D CABLE FILTER PANEL, UFI SYSTEM (SEE PAGE 4-23)
42	46-328039G2	1	REPEATER ASM	1	PEN PANEL REPEATER BOARD ASSEMBLY (SEE PAGE 4-15)
44	46-243775G860	2	CABLE	1	PP1-J89 TO PP1-A17-J2, 2-FT, 15-COND
46	46-221865P3	N	CONNECTOR	2	UG-27B RT-ANGLE N, 50-OHM JACK-PLUG
50	46-301216P1	2	PLATE	2	BLANK COVER PLATE FOR J60/61 HE LINE
56	46-320232G1	1	GRAD FILTER	1	GRADIENT FILTER ASM (SEE PAGE 4-24)
57	2236923	N	BRACKET	1	EXAM SIDE BRACKET
58	2236924	N	BRACKET	1	EQUIP SIDE BRACKET
59	2113244-2	N	U-BOLT	6	1.25" INSIDE DIA. 3/8-16 THD. 303SST
60	46-208935P10	N	NUT	16	3/8-16 .625 HEX X .250 THK BRASS
70	46-208560P82	N	SCREW	136	SCREW, 10-32 X 3/8 BHMS, SS
71	46-208932P3	N	SCREW	8	SCREW, CAP 5/16-18 X 3/4 HEX HD SS
72	46-208935P9	N	NUT	10	5/16-18, .563 HEX X .219 THK, BRASS
73	46-208560P102	N	SCREW	16	SCREW, 10-32 X 5/8 BHMS, SS
74	1000904P425	N	WASHER	7	0.2 ID, 0.5 OD, .04 THK, B11H89C
75	46-208560P110	N	SCREW	36	SCREW, 6-32 X 3/8 BHMS, SS
76	46-208939P16	N	SCREW	4	SCREW,CAP 5/16-18 X 5/8 HEX HD BRASS

TwinSpeed PEN PANEL w/MC 46-301383G17 FRU N (PART 2 OF M3043TA PAGE 1-74)
 (PART 2 OF M3053TA PAGE 1-74)
 (PART 2 OF M3063TA PAGE 1-75)

Item	Part Number	FRU	Name	Quantity	Description (Remarks)
2	2133755-2	N	PANEL	1	UPPER PENETRATION PANEL, ALUMINUM
3	2133756	N	I/F WALL	1	LOWER PENETRATION PANEL SECTION
6	46-301385G4	N	FILTER ASM	1	SHIELD COOLER/BLOWER FILTER PANEL (SEE PAGE 4-16)
7	2295629	N	PLATE ASM	1	TWIN PLATE ASSEMBLY (SEE PAGE 4-18)
8	46-301177P1	N	ADAPTER	2	HELIUM LINE FEED THROUGH GUIDE
9	46-282629G1	N	COVER ASM.	1	MAGNET RAMP PORT, PP1 A6
10	46-282638G1	N	COVER ASM.	1	BLANK RESISTIVE SHIM COVER PLATE
20	46-208937P6	N	NUT	23	#10-32 NUT LOCK, NYLOCK SST
24	46-221865P1	N	CONNECTOR	1	UG-30, N BULKHEAD, 50-OHM, JACK-JACK
25	46-208990P1	N	CONNECTOR	8	50 OHM BNC BULKHEAD ADAP'R JACK-JACK
27	46-208937P5	N	NUT	24	#8-32 LOCK NUT, NYLOCK SST
33	2133922	N	FILTER PANEL	1	ADAPTER PLATE ASM. FOR MULTICOIL (SEE PAGE 4-20)
41	46-307572G4	N	FILTER PANEL	1	TWINSPEED FILTER PANEL (SEE PAGE 4-23)
42	46-328039G2	2	REPEATER ASM	1	PEN PANEL REPEATER BOARD ASSEMBLY (SEE PAGE 4-15)
44	46-243775G860	N	CABLE	1	PP1-J89 TO PP1-A17-J2, 2-FT, 15-COND
46	46-221865P3	N	CONNECTOR	2	UG-27B RT-ANGLE N, 50-OHM JACK-PLUG
50	46-301216P1	N	PLATE	2	BLANK COVER PLATE FOR J60/61 HE LINE
56	2268040	1	FILTER	1	TWIN GRADIENT FILTER (SEE PAGE 4-25)
57	2236923	N	BRACKET	1	EXAM SIDE BRACKET
58	2236924	N	BRACKET	1	EQUIP SIDE BRACKET
59	2113244-2	N	U-BOLT	10	1.25" INSIDE DIA. 3/8-16 THD. 303SST
60	46-208935P10	N	NUT	26	3/8-16 .625 HEX X .250 THK BRASS
64	2295631	N	BRACKET	1	TWIN EQUIP SIDE BRACKET
65	2295630	N	BRACKET	1	TWIN MAG SIDE BRACKET
70	46-208560P82	N	SCREW	136	SCREW, 10-32 X 3/8 BHMS, SS
71	46-208932P3	N	SCREW	8	SCREW, CAP 5/16-18 X 3/4 HEX HD SS
72	46-208935P9	N	NUT	8	5/16-18, .563 HEX X .219 THK, BRASS
73	46-208560P102	N	SCREW	16	SCREW, 10-32 X 5/8 BHMS, SS
74	1000904P425	N	WASHER	7	0.2 ID, 0.5 OD, .04 THK, B11H89C
75	46-208560P110	N	SCREW	36	SCREW, 6-32 X 3/8 BHMS, SS
76	46-208939P16	N	SCREW	4	SCREW,CAP 5/16-18 X 5/8 HEX HD BRASS

EXCITE II PENETRATION PANEL WITH MULTICOIL

2377529



EXCITE II PENETRATION PANEL

2377529 FRU N

(PART 2 OF M3043PD PAGE 1-62)
 (PART 2 OF M3053PD PAGE 1-62)
 (PART 2 OF M3063PD PAGE 1-62)

Item	Part Number	FRU	Name	Quantity	Description (Remarks)
2	2133755-2	N	PANEL	1	UPPER PENETRATION PANEL, ALUMINUM
3	2133756	N	I/F WALL	1	LOWER PENETRATION PANEL SECTION
6	46-301385G4	N	FILTER ASM	1	SHIELD COOLER/BLOWER FILTER PANEL (SEE PAGE 4-16)
7	2121610	N	PLATE ASM	1	INSERT PLATE W/WAVE GUIDES (SEE PAGE 4-17)
8	46-301177P1	N	ADAPTER	2	HELIUM LINE FEED THROUGH GUIDE
9	46-282629G1	N	COVER ASM.	1	MAGNET RAMP PORT, PP1 A6
10	46-282638G1	N	COVER ASM.	1	BLANK RESISTIVE SHIM COVER PLATE
20	46-208937P6	N	NUT	23	#10-32 NUT LOCK, NYLOCK SST
24	46-221865P1	N	CONNECTOR	1	UG-30, N BULKHEAD, 50-OHM, JACK-JACK
25	46-208990P1	N	CONNECTOR	8	50 OHM BNC BULKHEAD ADAP'R JACK-JACK
27	46-208937P5	N	NUT	24	#8-32 LOCK NUT, NYLOCK SST
33	2317066	N	PLATE ASM	1	EXCITE ADAPTER PLATE ASSEMBLY (USSS 4-21)
33	2377417	N	PLATE ASM	1	EXCITE II ADAPTER PLATE ASM) (SEE PAGE 4-21)
41	46-307572G4	N	FILTER PANEL	1	TWINSPEED FILTER PANEL (SEE PAGE 4-23)
42	46-328039G2	1	REPEATER ASM	1	PEN PANEL REPEATER BOARD ASSEMBLY (SEE PAGE 4-15)
44	46-243775G860	N	CABLE	1	PP1-J89 TO PP1-A17-J2, 2-FT, 15-COND
46	46-221865P3	N	CONNECTOR	2	UG-27B RT-ANGLE N, 50-OHM JACK-PLUG
50	46-301216P1	N	PLATE	2	BLANK COVER PLATE FOR J60/61 HE LINE
56	46-320232G1	1	GRAD FILTER	1	GRADIENT FILTER ASM (SEE PAGE 4-24)
57	2236923	N	BRACKET	1	EXAM SIDE BRACKET
58	2236924	N	BRACKET	1	EQUIP SIDE BRACKET
59	2113244-2	N	U-BOLT	6	1.25" INSIDE DIA. 3/8-16 THD. 303SST
60	46-208935P10	N	NUT	16	3/8-16 .625 HEX X .250 THK BRASS
70	46-208560P82	N	SCREW	136	SCREW, 10-32 X 3/8 BHMS, SS
71	46-208932P3	N	SCREW	8	SCREW, CAP 5/16-18 X 3/4 HEX HD SS
72	46-208935P9	N	NUT	8	5/16-18, .563 HEX X .219 THK, BRASS
73	46-208560P102	N	SCREW	16	SCREW, 10-32 X 5/8 BHMS, SS
74	1000904P425	N	WASHER	7	0.2 ID, 0.5 OD, 04 THK, B11H89C
75	46-208560P110	N	SCREW	36	SCREW, 6-32 X 3/8 BHMS, SS
76	46-208939P16	N	SCREW	2	SCREW,CAP 5/16-18 X 5/8 HEX HD BRASS

EXCITE II TwinSpeed PEN PANEL 2377529-2 FRU N

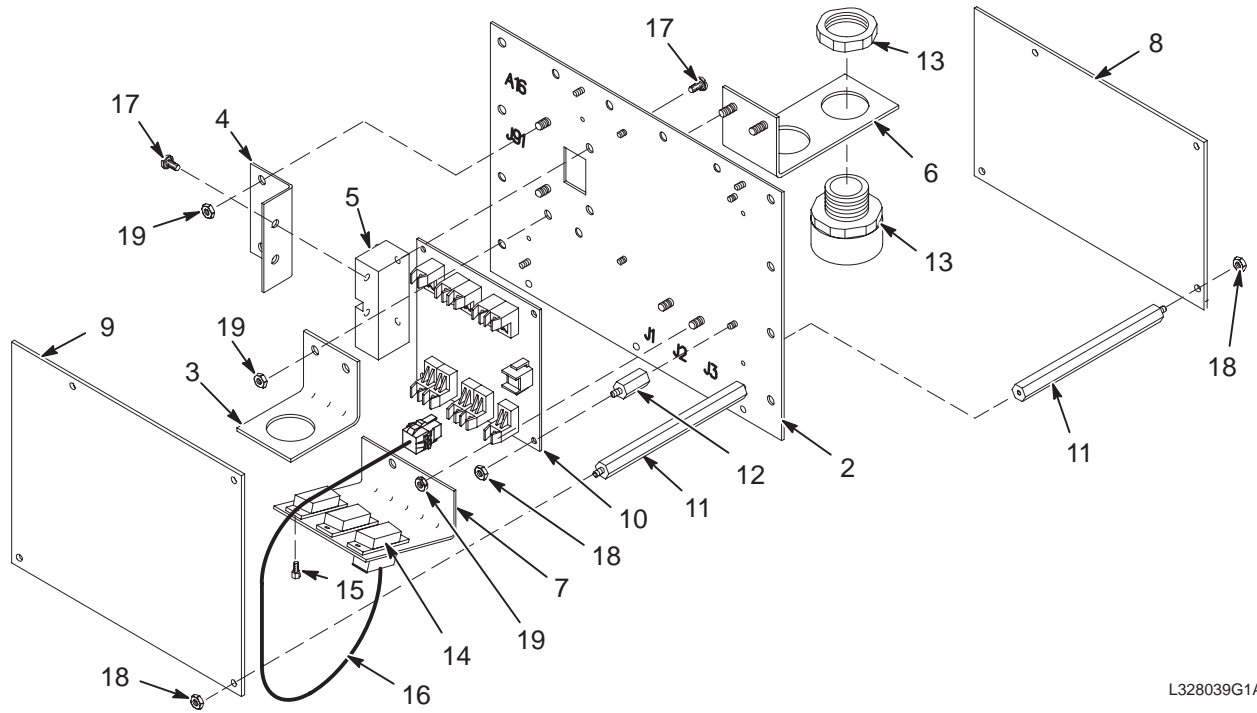
(PART 2 OF M3043TD PAGE 1-78)
 (PART 2 OF M3053TD PAGE 1-78)
 (PART 2 OF M3063TD PAGE 1-78)

Item	Part Number	FRU	Name	Quantity	Description (Remarks)
2	2133755-2	N	PANEL	1	UPPER PENETRATION PANEL, ALUMINUM
3	2133756	N	I/F WALL	1	LOWER PENETRATION PANEL SECTION
6	46-301385G4	N	FILTER ASM	1	SHIELD COOLER/BLOWER FILTER PANEL (SEE PAGE 4-16)
7	2295629	N	PLATE ASM	1	TWIN PLATE ASSEMBLY (SEE PAGE 4-18)
8	46-301177P1	N	ADAPTER	2	HELIUM LINE FEED THROUGH GUIDE
9	46-282629G1	N	COVER ASM.	1	MAGNET RAMP PORT, PP1 A6
10	46-282638G1	N	COVER ASM.	1	BLANK RESISTIVE SHIM COVER PLATE
20	46-208937P6	N	NUT	23	#10-32 NUT LOCK, NYLOCK SST
24	46-221865P1	N	CONNECTOR	1	UG-30, N BULKHEAD, 50-OHM, JACK-JACK
25	46-208990P1	N	CONNECTOR	8	50 OHM BNC BULKHEAD ADAP'R JACK-JACK
27	46-208937P5	N	NUT	24	#8-32 LOCK NUT, NYLOCK SST
33	2377417	N	PLATE ASM	1	EXCITE II ADAPTER PLATE ASM) (SEE PAGE 4-21)
41	46-307572G4	N	FILTER PANEL	1	TWINSPEED FILTER PANEL (SEE PAGE 4-23)
42	46-328039G2	2	REPEATER ASM	1	PEN PANEL REPEATER BOARD ASSEMBLY (SEE PAGE 4-15)
44	46-243775G860	N	CABLE	1	PP1-J89 TO PP1-A17-J2, 2-FT, 15-COND
46	46-221865P3	N	CONNECTOR	2	UG-27B RT-ANGLE N, 50-OHM JACK-PLUG
50	46-301216P1	N	PLATE	2	BLANK COVER PLATE FOR J60/61 HE LINE
56	2268040	1	FILTER	1	TWIN GRADIENT FILTER (SEE PAGE 4-25)
57	2236923	N	BRACKET	1	EXAM SIDE BRACKET
58	2236924	N	BRACKET	1	EQUIP SIDE BRACKET
59	2113244-2	N	U-BOLT	10	1.25" INSIDE DIA. 3/8-16 THD. 303SST
60	46-208935P10	N	NUT	26	3/8-16 .625 HEX X .250 THK BRASS
64	2295631	N	BRACKET	1	TWIN EQUIP SIDE BRACKET
65	2295630	N	BRACKET	1	TWIN MAG SIDE BRACKET
70	46-208560P82	N	SCREW	136	SCREW, 10-32 X 3/8 BHMS, SS
71	46-208932P3	N	SCREW	8	SCREW, CAP 5/16-18 X 3/4 HEX HD SS
72	46-208935P9	N	NUT	8	5/16-18, .563 HEX X .219 THK, BRASS
73	46-208560P102	N	SCREW	16	SCREW, 10-32 X 5/8 BHMS, SS
74	1000904P425	N	WASHER	7	0.2 ID, 0.5 OD, .04 THK, B11H89C
75	46-208560P110	N	SCREW	36	SCREW, 6-32 X 3/8 BHMS, SS

REPEATER PANEL

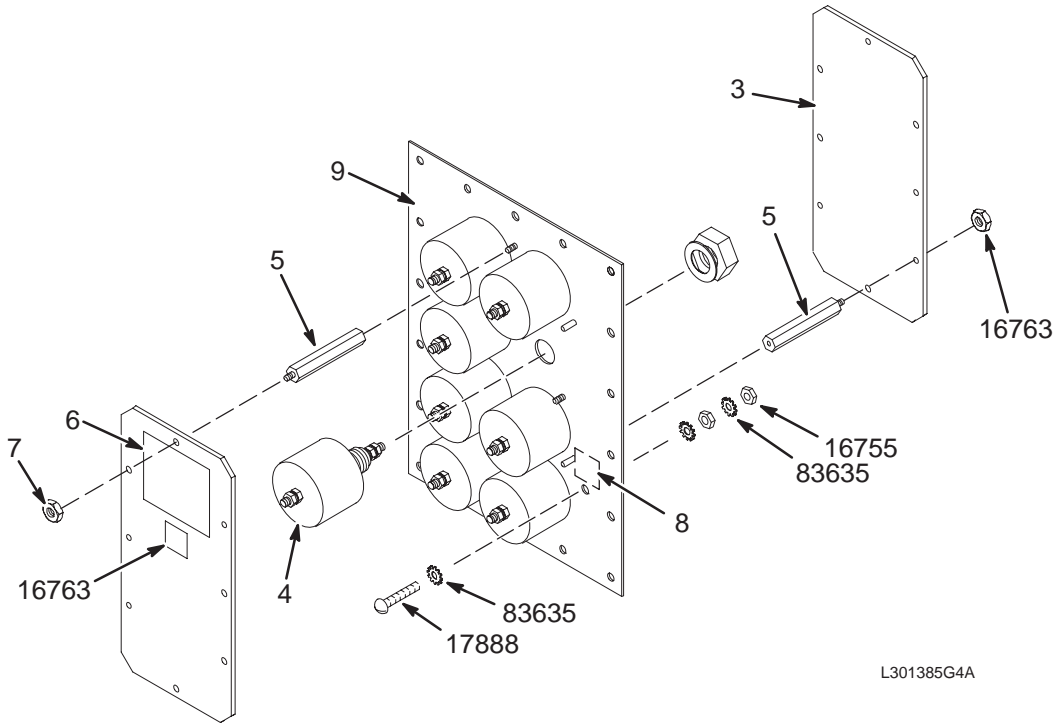
46-328039G1 & G2

PP1 A17



L328039G1A

SHIELD COOLER/BLOWER FILTER PANEL



FILTER PANEL

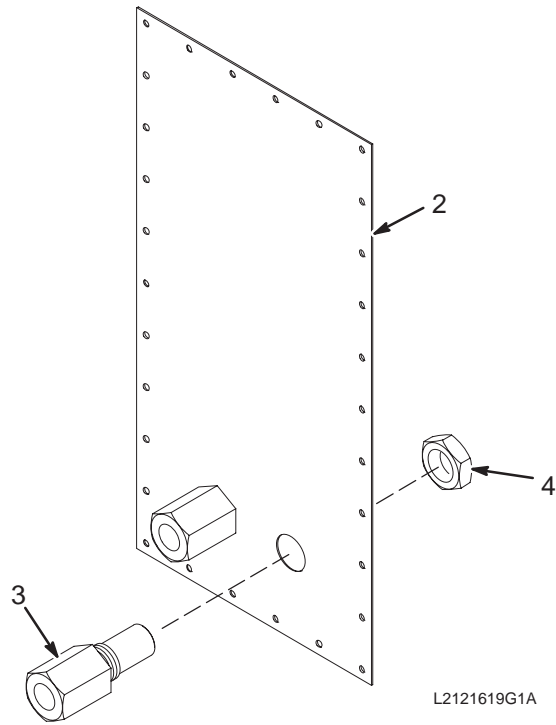
46-301385G4 FRU N

(PART 6 OF 46-301383G12 PAGE 4-3)
 (PART 6 OF 46-301383G13 PAGE 4-6)
 (PART 6 OF 46-301383G17 PAGE 4-9)
 (PART 6 OF 46-301383G18 PAGE 4-4)
 (PART 6 OF 46-301383G19 PAGE 4-7)
 (PART 6 OF 2377529 PAGE 4-11)
 (PART 6 OF 2377529-2 PAGE 4-13)

Item	Part Number	FRU	Name	Quantity	Description (Remarks)
2	2121531	2	PLATE	1	EMPTY 8-FILTER PLATE, F1 THROUGH F8
3	2121529	2	COVER PLATE	2	EIGHT EMI FILTER SAFETY COVER PLATE
4	46-282750P1	1	FILTER	8	250VAC/1000VDC EMI NOISE FILTER.
5	46-282751P1	2	STANDOFF	8	3/8" HEX X 2.25" SPACER, 6-32 THREAD
6	46-211345P1	2	LABEL	2	"WARNING HIGH VOLTAGE" .003 THK ALUM
7	46-271110P3	2	LABEL	2	DANGEROUS VOLTAGE GRAPHIC SYMBOL
8	46-271110P1	2	LABEL	2	PROTECTIVE EARTH (GROUND)
16755	46-208935P8	2	NUT,HEX,MS	4	1/4-20, 7/16" HEX X 3/16 THK, BRASS
16763	46-208936P1	2	NUT,HEX,MS	8	6-32, 1/4" HEX X .094 THICK, BRASS
17888	46-220184P54	2	SCREW MACH	2	1/4-20 X 1" LG, RND HD SLOT, BRASS
83635	46-208599P19	2	WASHER,LOCK	6	1/4 EXTERNAL TOOTH PHOS, BRONZE

INSERT PLATE WITH WAVE GUIDES

2121610



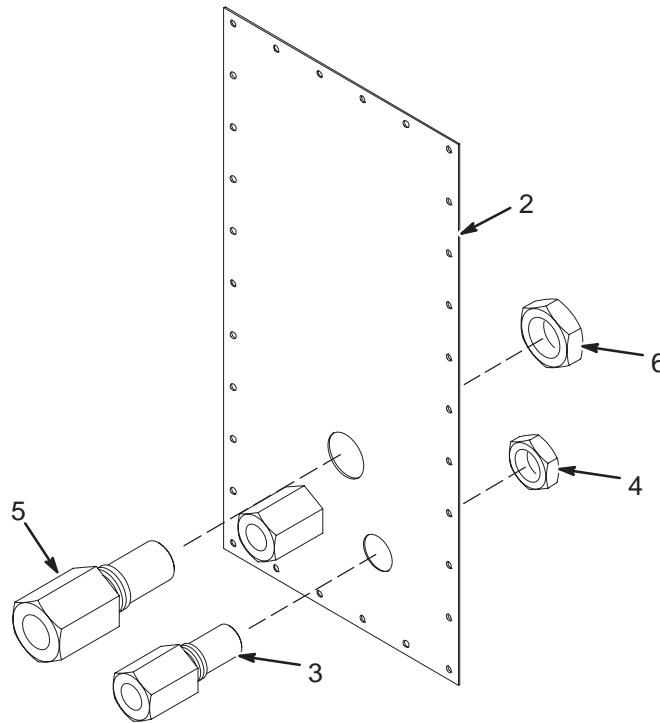
INSERT PLATE w/WAVE GUIDES

2121610 FRU N

(PART 7 OF 46-301383G12 PAGE 4-3)
 (PART 7 OF 46-301383G13 PAGE 4-6)
 (PART 7 OF 46-301383G18 PAGE 4-4)
 (PART 7 OF 46-301383G19 PAGE 4-7)
 (PART 7 OF 2377529 PAGE 4-11)

Item	Part Number	FRU	Name	Quantity	Description (Remarks)
2	2121530	2	PLATE	1	LOWER PANEL INSERT PLATE
3	2113242	2	WAVE GUIDE	2	1.5" HEX, 1-1/8-12 THD, 4" LONG ALUM
4	2113241	2	NUT	2	1-1/8-12 THD, 1.5" HEX NUT, ALUMINUM

TwinSpeed INSERT PLATE WITH WAVE GUIDES 2295629



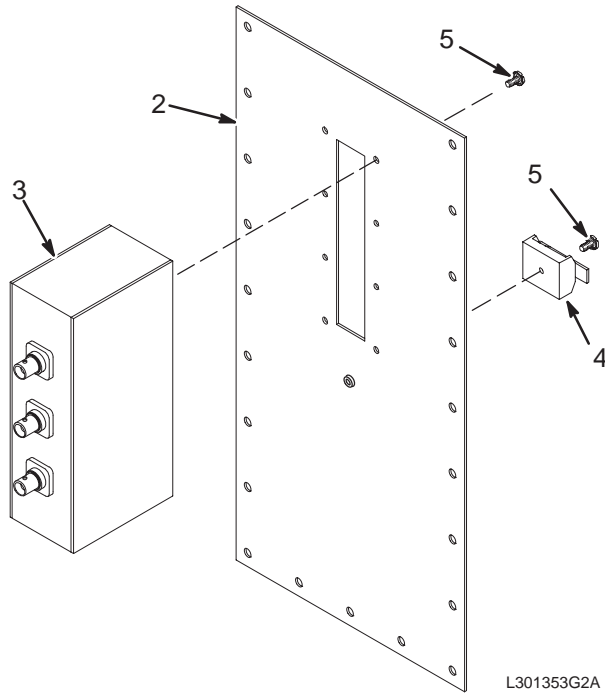
TwinSpeed PLATE w/WAVE GUIDES 2295629 FRU N

(PART 7 OF 46-301383G17 PAGE 4-9)
(PART 7 OF 2377529-2 PAGE 4-13)

Item	Part Number	FRU	Name	Quantity	Description (Remarks)
2	2289692	N	PLATE	1	WAVEGUIDE PLATE
3	2289691	N	GUIDE	2	COOLANT LINE WAVE GUIDE
4	2294094	N	NUT-INCH	2	NUT-INCH HEXAGON
5	2289689	N	GUIDE	1	VACUUM LINE WAVE GUIDE
6	2294095	N	NUT-INCH	1	NUT-INCH HEXAGON

1000V DYNAMIC DISABLE FILTER PANEL

46-301353G2



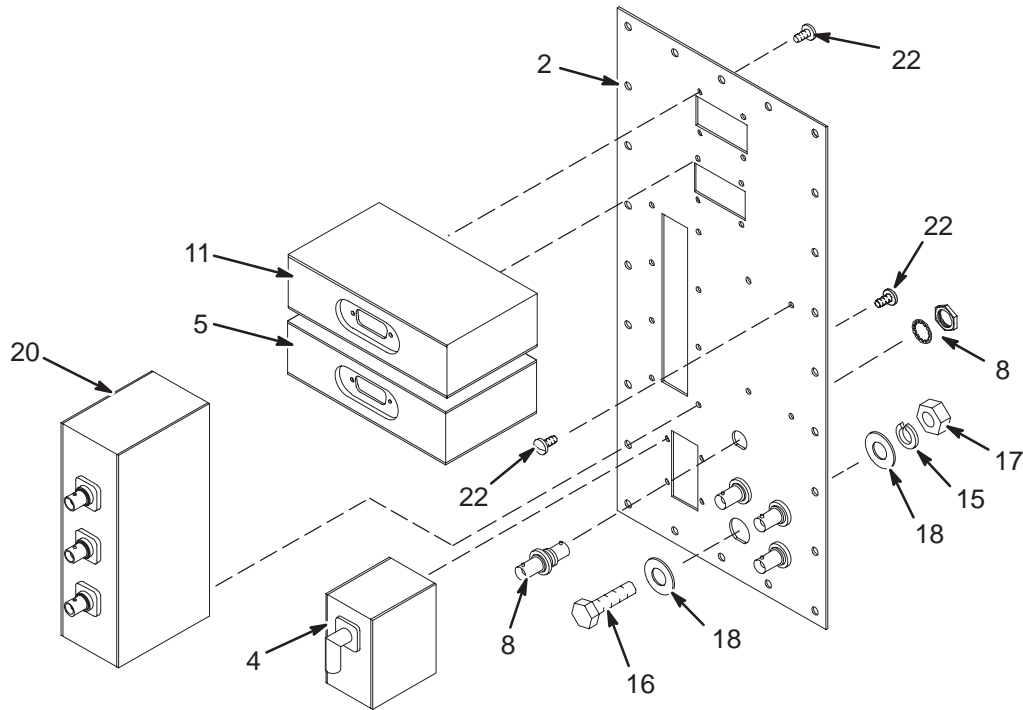
DYNAMIC DISABLE FILTER PANEL 46-301353G2 FRU N

(PART 33 OF 46-301383G12 PAGE 4-3)
(PART 33 OF 46-301383G18 PAGE 4-4)

Item	Part Number	FRU	Name	Quantity	Description (Remarks)
2	46-301172P1	2	PLATE	1	BODY COIL FILTER MOUNTING PLATE
3	2111443	1	CIRCUIT BD	1	1KV DYNAMIC DISABLE FILTER MODULE
4	46-220191P1	2	CLAMP	1	CLAMP FOR FLAT CABLE
5	516A770P604	2	SCREW,MACH	9	6-32 X 1/4 LG BIND HEAD SST 18-8

ADAPTER PLATE ASM FOR MULTICOIL

2133922



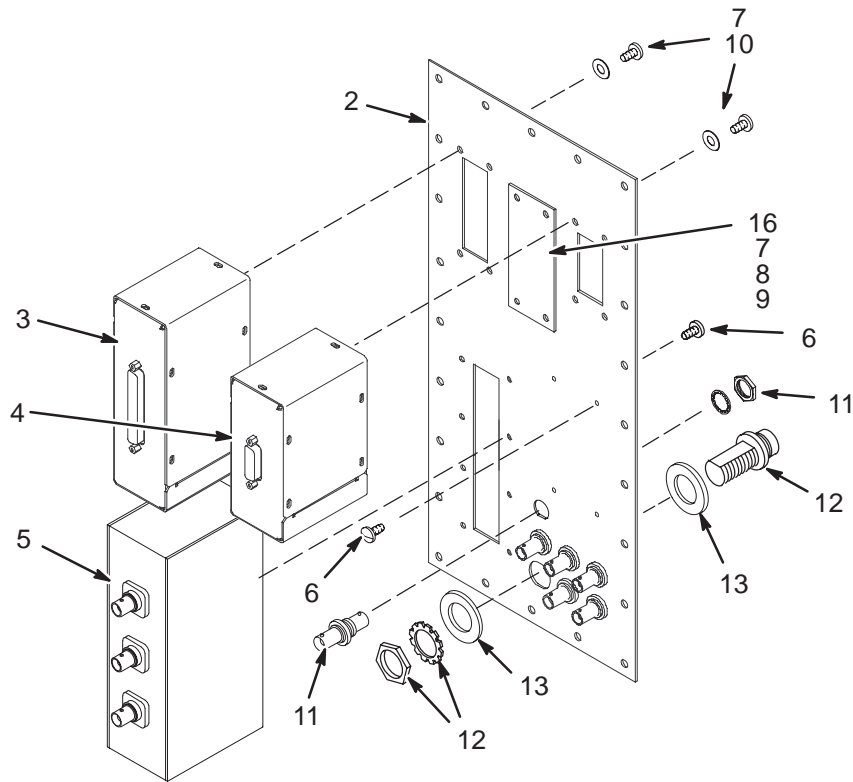
ADAPTER PLATE ASM FOR MULTICOIL 2133922 FRU N

(PART 33 OF 46-301383G13 PAGE 4-6)
 (PART 33 OF 46-301383G17 PAGE 4-9)
 (PART 33 OF 46-301383G19 PAGE 4-7)

Item	Part Number	FRU	Name	Quantity	Description (Remarks)
2	2133757	2	PLATE	1	EMPTY FILTER PLATE FOR MULTICOIL ETC
4	46-264992G1	1	CIRCUIT BD	1	MULTI-COIL RECEIVE SELECT SW. PP1A14
5	46-264994G1	1	CIRCUIT BD	1	MULTI-COIL SWITCHING FILTER, PP1-A15
8	46-208990P1	2	ADAPTER	4	50 OHM BNC BULKHEAD ADAP'R JACK-JACK
11	46-264994G2	1	CIRCUIT BD	1	MULTI-COIL BIAS FILTER, PP1-A16
15	46-220196P6	2	WASHER,LOCK	1	3/8" SCREW SIZE (0.375), 18-8 SST
16	46-208932P4	2	SCREW,CAP	1	3/8-16 X 1", HEX HEAD, 18-8 SST
17	46-208948P2	2	NUT,HEX	1	3/8-16 .563 HEX X .328 THK, 18-8 SST
18	1000904P447	2	WASHER,FLAT	2	25/64 ID, 1" OD, 1/16" THICK, B7A34C
20	2111443	1	CIRCUIT BD	1	1KV DYNAMIC DISABLE FILTER MODULE
22	46-208921P4	2	SCREW,MACH	2	6-32 X 1/4", BRASS

EXCITE II ADAPTER PLATE ASM

2377417



EXCITE II ADAPTER PLATE ASM

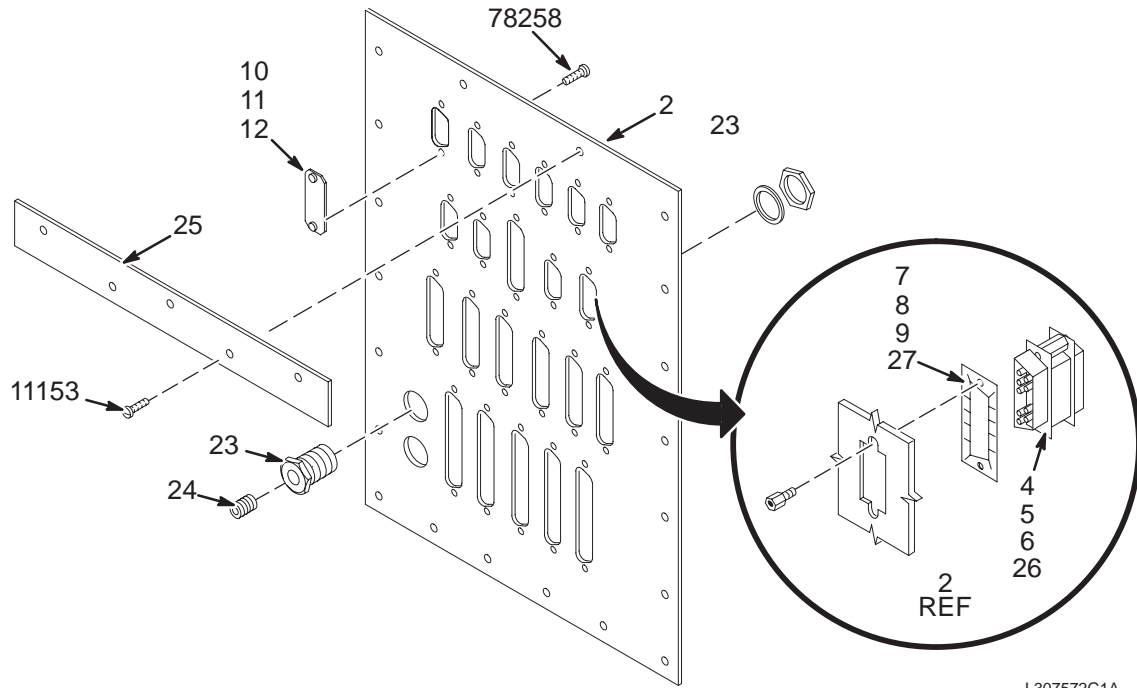
2377417 FRU N

(PART 33 OF 2377529 PAGE 4-11)
(PART 33 OF 2377529-2 PAGE 4-13)

Item	Part Number	FRU	Name	Quantity	Description (Remarks)
2	2316657	N	PART	1	PLATE,PEN PANEL
3	2296094	1	FILTER ASM	1	MULTICOIL FILTER ASSEMBLY
4	2296298	1	FILTER ASSEM	1	MC PREAMP BIAS FILTER ASSEMBLY
5	2111443	N	CIRCUIT BD	1	1KV DYNAMIC DISABLE FILTER MODULE
6	46-208921P4	N	SCREW	12	SCREW
7	2109873-13	N	SCREW	12	SCREW PAN HEAD 4 MM 8 MM
8	2109877	N	NUT	4	NUT HEXAGON 4 MM
9	2109878-2	N	WASHER	4	WASHER PLAIN - NORMAL 4.3 MM 9 MM
10	2109880-2	N	WASHER	8	WASHER LOCK - SPRING 4.1 MM 7.6 MM
11	46-208990P1	N	CONNECTOR	6	50 OHM BNC BULKHEAD ADAP'R JACK-JACK
12	46-208932P4	N	SCREW	1	SCREW
13	1000904P447	N	WASHER	2	25/64 ID, 1" OD, 1/16" THICK, B7A34C
14	46-220196P6	N	WASHER	1	WASHER 3/8" SCREW SIZE (0.375), 18-8 SST
15	46-208948P2	N	NUT	1	3/8-16 .563 HEX X .328 THK, 18-8 SST
16	2325861	N	PART	1	COVER,PEN PANEL

CABLE FILTER PANEL

46-307572G3 & G4



L307572G1A

5.5 CABLE FILTER PANEL

46-307572G3 FRU N

(PART 41 OF 46-301383G12 PAGE 4-3)
 (PART 41 OF 46-301383G13 PAGE 4-6)
 (PART 41 OF 46-301383G18 PAGE 4-4)
 (PART 41 OF 46-301383G19 PAGE 4-7)

Item	Part Number	FRU	Name	Quantity	Description (Remarks)
2	46-307207P1	2	PLATE	1	SUB-D CABLE CONNECTION FILTER PLATE
4	2366642	1	CONNECTOR	6	CONNECTOR 9 CONTACTS 200 VOLTS 5 AMP
5	2366642-3	1	CONNECTOR	4	CONNECTOR 25CONTACTS 200 VOLTS 5 AMP
6	2366642-4	1	CONNECTOR	2	CONNECTOR 37CONTACTS 200 VOLTS 5 AMP
7	46-221754P1	2	CONNECTOR	6	RFI GASKET USED WITH 9 PIN SUB-D
8	46-221754P3	2	CONNECTOR	4	RFI GASKET USED WITH 25 PIN SUB-D
9	46-221754P4	2	CONNECTOR	2	RFI GASKET USED WITH 37 PIN SUB-D
10	46-301197P1	2	PLATE	3	9-PIN SUB-D PANEL OPENING COVER
11	46-301197P3	2	PLATE	3	25-PIN SUB-D PANEL OPENING COVER
12	46-301197P4	2	PLATE	3	37-PIN SUB-D PANEL OPENING COVER
23	46-307169P1	2	FITTING	2	1/4 NPT, PARKER #207ACBH-4 (BRASS)
24	46-136371P3	2	FITTING	2	BRASS 1/4 NPT HEX SOCKET
25	46-307213P1	2	BAR	1	PLATE JOINT SEALING STRIP, 9.5 X 1
26	2366642-2	1	CONNECTOR	1	CONNECTOR 15CONTACTS 200 VOLTS 5 AMP
27	46-221754P2	2	CONNECTOR	1	RFI GASKET USED WITH 15 PIN
28	46-208560P82	2	SCREW	2	10-32 X 3/8, BINDING HEAD, SST 18-8
29	46-208560P81	2	SCREW	18	4-40 X 1/4, BINDING HEAD, SST 18-8

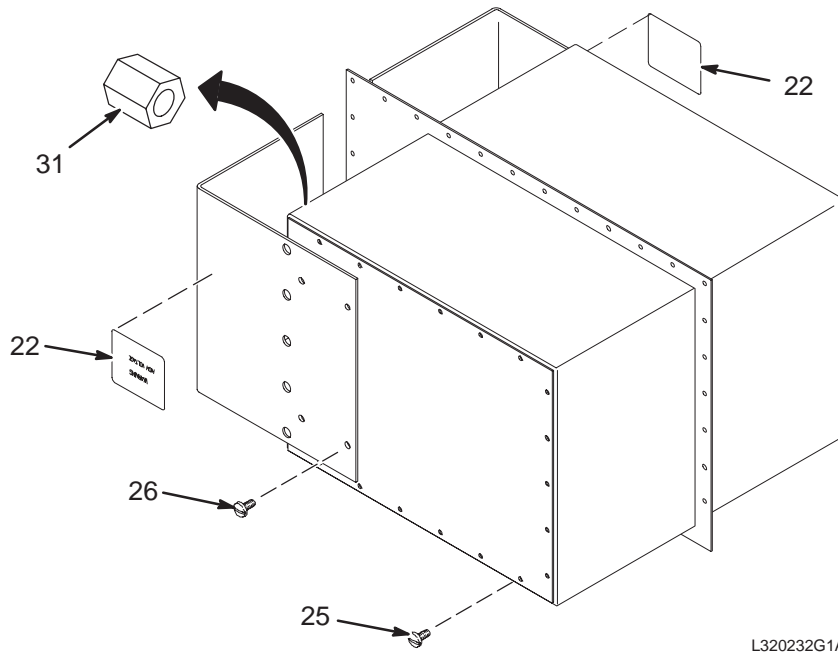
TwinSpeed CABLE FILTER PANEL

46-307572G4 FRU N

(PART 41 OF 46-301383G17 PAGE 4-9)
 (PART 41 OF 2377529 PAGE 4-11)
 (PART 41 OF 2377529-2 PAGE 4-13)

Item	Part Number	FRU	Name	Quantity	Description (Remarks)
2	46-307207P1	2	PLATE	1	SUB-D CABLE CONNECTION FILTER PLATE
4	2366642	1	CONNECTOR	6	CONNECTOR 9 CONTACTS 200 VOLTS 5 AMP
5	2366642-3	1	CONNECTOR	4	CONNECTOR 25CONTACTS 200 VOLTS 5 AMP
6	2366642-4	1	CONNECTOR	2	CONNECTOR 37CONTACTS 200 VOLTS 5 AMP
7	46-221754P1	2	CONNECTOR	7	RFI GASKET USED WITH 9 PIN SUB-D
8	46-221754P3	2	CONNECTOR	4	RFI GASKET USED WITH 25 PIN SUB-D
9	46-221754P4	2	CONNECTOR	2	RFI GASKET USED WITH 37 PIN SUB-D
10	46-301197P1	2	PLATE	2	9-PIN SUB-D PANEL OPENING COVER
11	46-301197P3	2	PLATE	3	25-PIN SUB-D PANEL OPENING COVER
12	46-301197P4	2	PLATE	3	37-PIN SUB-D PANEL OPENING COVER
23	46-307169P1	2	FITTING	2	1/4 NPT, PARKER #207ACBH-4 (BRASS)
24	46-136371P3	2	FITTING	2	BRASS 1/4 NPT HEX SOCKET
25	46-307213P1	2	BAR	1	PLATE JOINT SEALING STRIP, 9.5 X 1
26	2366642-2	1	CONNECTOR	1	CONNECTOR 15CONTACTS 200 VOLTS 5 AMP
27	46-221754P2	2	CONNECTOR	1	RFI GASKET USED WITH 15 PIN
28	46-208560P82	2	SCREW	2	SCREW, 10-32 X 3/8 BHMS, SS
29	46-208560P81	2	SCREW	16	SCREW

GRADIENT FILTER ASM



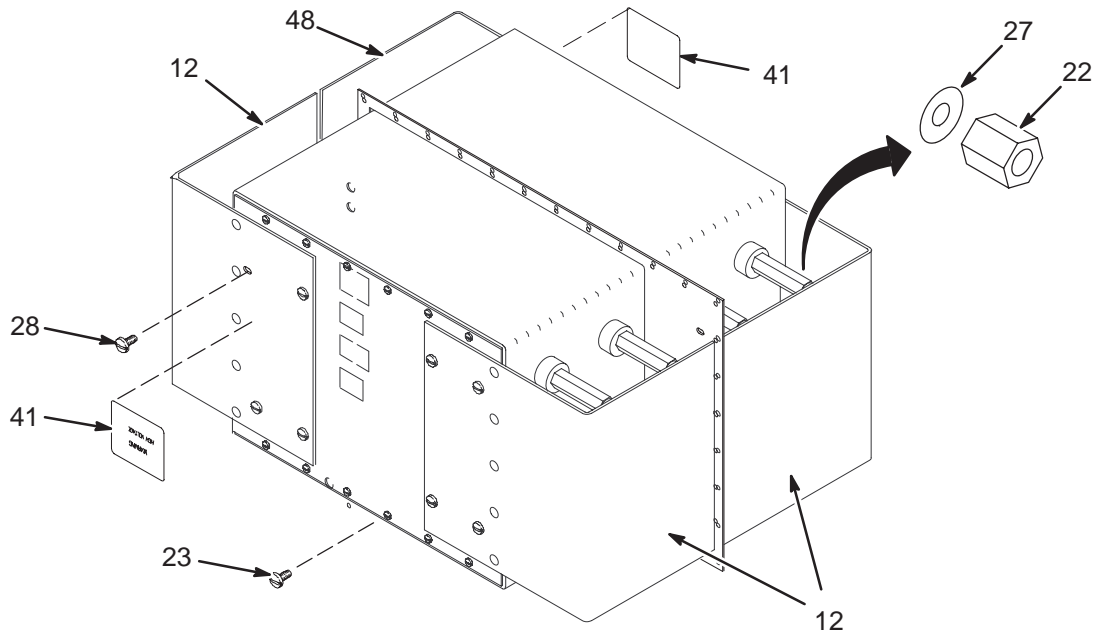
GRADIENT FILTER ASM

46-320232G1 FRU 1

(PART 56 OF 46-301383G12 PAGE 4-3)
 (PART 56 OF 46-301383G13 PAGE 4-6)
 (PART 56 OF 46-301383G18 PAGE 4-4)
 (PART 56 OF 46-301383G19 PAGE 4-7)
 (PART 56 OF 2377529 PAGE 4-11)

Item	Part Number	FRU	Name	Quantity	Description (Remarks)
22	46-211345P1	2	MECHANICAL/M	2	"WARNING HIGH VOLTAGE" .003 THK ALUM
25	46-170015P10	2	SCREW	44	6-32 X 1/4" LG BIND HD STL EXT TOOTH
26	46-208560P46	2	SCREW	8	10-32 X 1/4" BIND HEAD, STL F70B5A
31	46-320527P1	2	BRASS NUT	21	3/4" HEX 1/2-13 SPRIALOCK THREAD

TwinSpeed GRADIENT FILTER ASM



TwinSpeed GRADIENT FILTER ASM

2268040 FRU 1

(PART 56 OF 46-301383G17 PAGE 4-9)

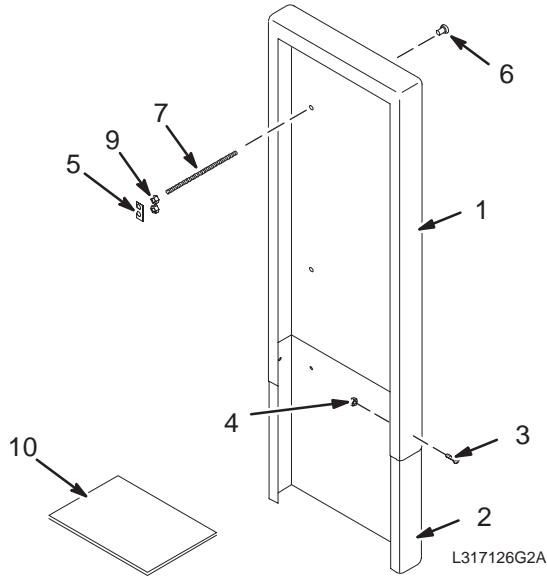
(PART 56 OF 2377529-2 PAGE 4-13)

Item	Part Number	FRU	Name	Quantity	Description (Remarks)
12	2269157	N	PLASTIC COVE	3	TWIN GR FILTER PLASTIC COVER
22	46-320527P1	2	BRASS NUT	21	3/4" HEX 1/2-13 SPRIALOCK THREAD
23	2324359	N	SCREW	128	SCREW PAN HEAD W/SPR WASHER 6-32 3/8
27	46-252322P10	2	WASHER	21	WASHER, BRASS, .50 PLAIN
28	2271156	N	SCREW	16	SCREW PAN HEAD #10-24X3/8"
41	2297081	N	DANGER LABEL	6	HIGH VOLTAGE LABEL
48	2269157-2	N	PLASTIC COVE	1	TWIN GR FILTER PLASTIC COVER

4-2 PENETRATION PANEL COVERS

COVER KIT

46-317126G3 & G4



COVER KIT – FIXED

46-317126G3 FRU N

(PART OF 46-282429 FIXED – SECTION 1)
(PART 11 OF M3043PD PAGE 1-62)
(PART 11 OF M3043TD PAGE 1-78)

Item	Part Number	FRU	Name	Quantity	Description (Remarks)
1	46-306963P2	2	COVER, TOP	2	PEN. PANEL COVER, 28"W X 66"H X 7.5D
2	46-306964P2	2	COVER, BOTTOM	2	COVER EXTENSION 19H X 27.75W X 7.25D
3	46-208560P82	2	SCREW, MACH	8	10-32 X 3/8, BINDING HEAD, SST 18-8
4	46-208938P5	2	NUT, HEX, MS	8	10-32, 3/8" HEX X .130 THK, 18-8 SST
5	46-301211P1	2	PLATE	8	1.4" X .75" REINFORCING PLATE, ALUM
6	46-301212P1	2	NUT, BARREL	8	.81 DIA HEAD X 1" LG, 5/16-18 INT THD
7	46-301213P2	2	THREADED ROD	8	5/16-18 X 18", BRASS
9	46-208935P9	2	NUT, HEX, MS	16	5/16-18, .563 HEX X .219 THK, BRASS
10	2128024	2	SHIELD	2	11 X 32" FLOOR COVER .063 ALUM PLATE

COVER KIT – MOBILE & T/R

46-317126G4 FRU N

(PART OF 46-282429 MOBILE & T/R – SECTION 1)
(PART 11 OF M3053PD PAGE 1-62)
(PART 11 OF M3063PD PAGE 1-62)
(PART 11 OF M3053TD PAGE 1-78)
(PART 11 OF M3063TD PAGE 1-78)

Item	Part Number	FRU	Name	Quantity	Description (Remarks)
1	46-306963P2	2	COVER, TOP	1	PEN. PANEL COVER, 28"W X 66"H X 7.5D
2	46-306964P2	2	COVER, BOTTOM	1	COVER EXTENSION 19H X 27.75W X 7.25D
3	46-208560P82	2	SCREW	4	SCREW
4	46-208938P5	2	NUT	4	10-32, 3/8" HEX X .130 THK, 18-8 SST
5	46-301211P1	2	PLATE	4	1.4" X .75" REINFORCING PLATE, ALUM
6	46-301212P1	2	NUT	4	.81 DIA HEAD X 1" LG, 5/16-18 INT THD
7	46-301213P2	2	SCREW	4	5/16-18 X 18", BRASS
9	46-208935P9	2	NUT	8	5/16-18, .563 HEX X .219 THK, BRASS