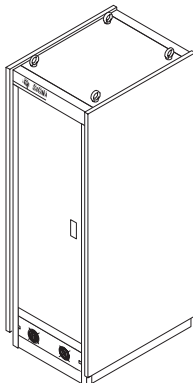
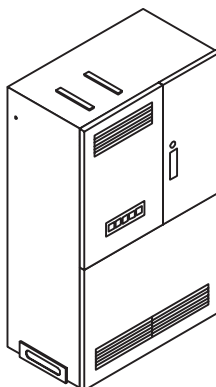


SECTION 6 – POWER DISTRIBUTION UNIT

TABLE OF CONTENTS



<u>SECTION</u>	<u>PAGE</u>
6-1 COMPACT PDU	6-2
Contains information on Horizon 5.x and LX Compact PDU	
5.x 60Hz 480V REGULATED & FILTERED	46-317099P10 .. 6-4
5.x 50/60Hz 380/400/415V REGULATED & FILTERED	46-317099P11 .. 6-8
LX COMPACT PDU – 60Hz 480V REGULATED & FILTERED	46-317099P20 .. 6-12
LX COMPACT PDU – 50/60Hz 380/400/415V REGULATED & FILTERED	46-317099P21 .. 6-16



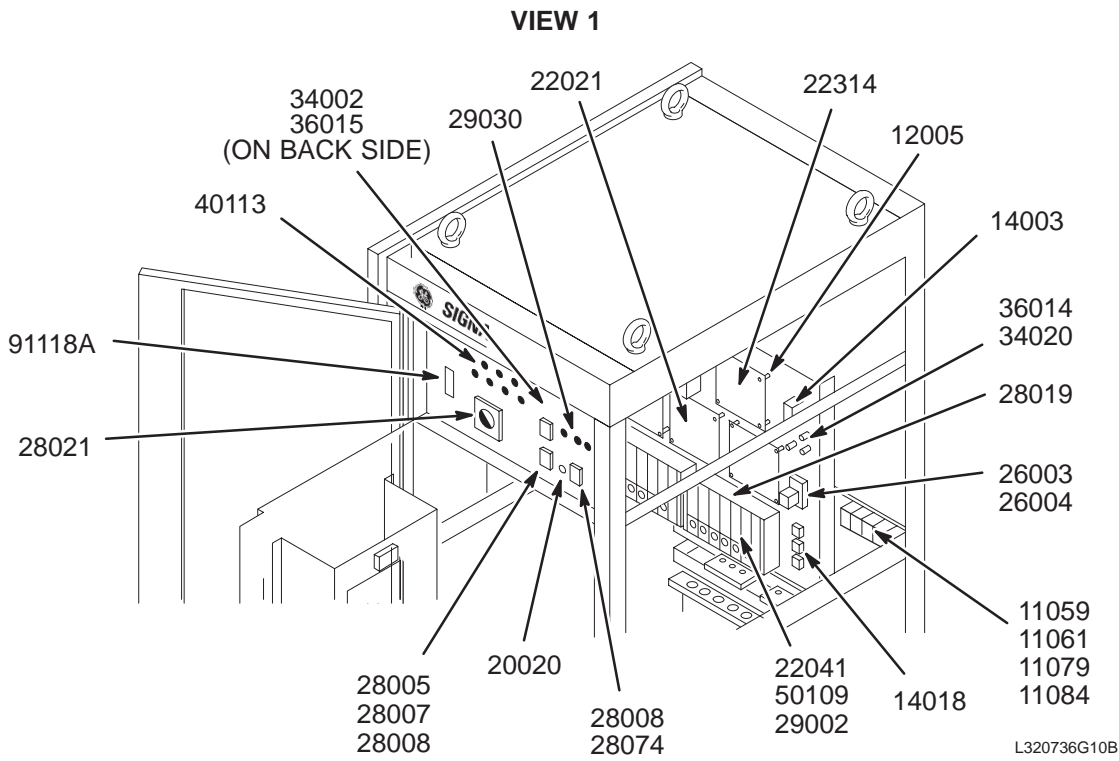
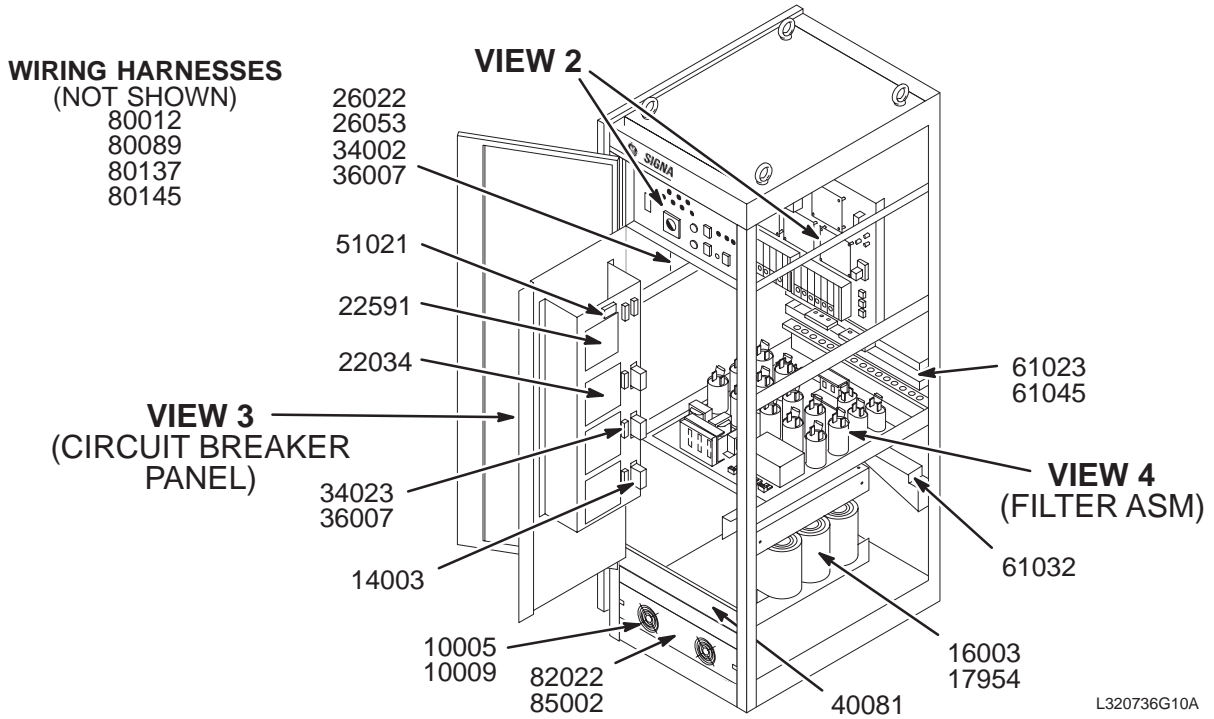
6-2 FULL-SIZE PDU	6-18
Contains information on Horizon 5.x and LX Full-size PDU	
FULL-SIZE PDU	46-282368G3 ... 6-20
FULL-SIZE PDU UPGRADE TO LX	46-306985G4 ... 6-33
FULL-SIZE PDU UPGRADE TO WideOpen	2246052 6-33

NOTE: The 46-282368G3 model of the Full-size PDU is shown in this section as a typical representation. For other models refer to Renewal Parts manuals that were delivered with original system and should still be on site. Parts that were added to the PDU when upgrading the magnet to a LCC WideOpen are indicated in the additional parts lists

6-1 COMPACT PDU

5.x COMPACT PDU – 60Hz 480V REGULATED & FILTERED

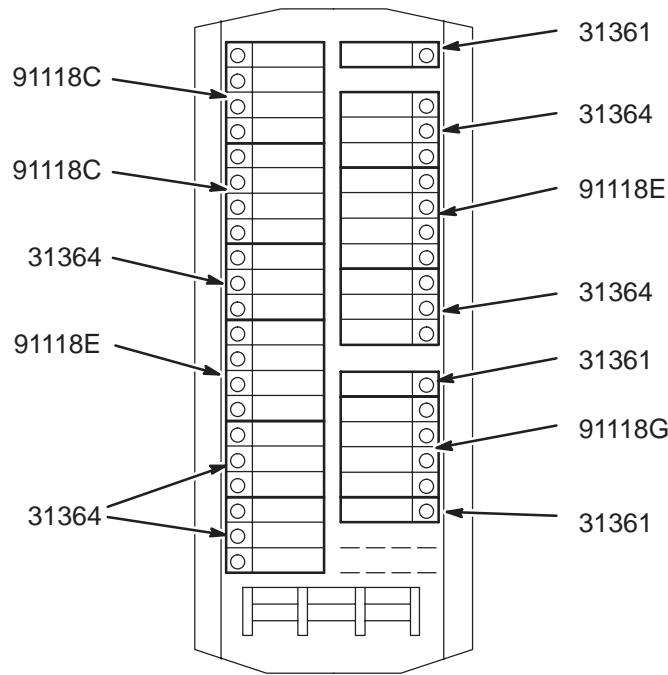
46-317099P10



VIEW 2

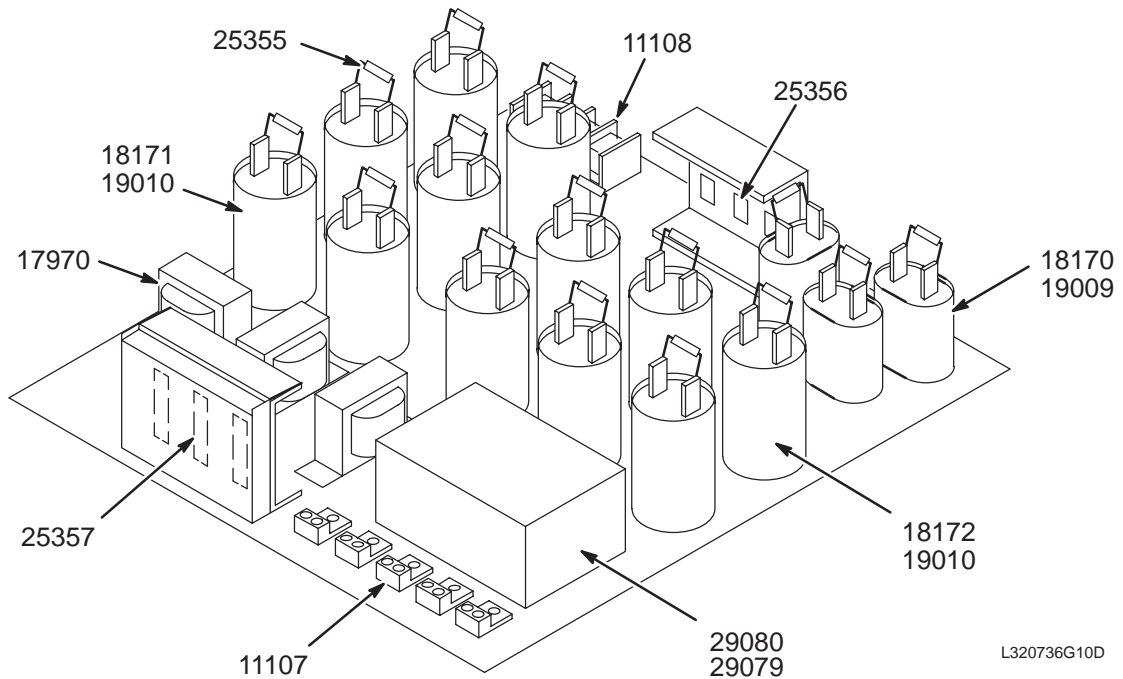
5.5 COMPACT PDU – 60Hz 480V REGULATED & FILTERED

46-317099P10



L320736G10C

VIEW 3



L320736G10D

VIEW 4

5.5 60Hz 480V REG/FLT'D PDU 46-317099P10 FRU N (PART OF M1009HA SECTION 1)

Item	Part Number	FRU	Name	Quantity	Description (Remarks)
1	46-320736G10	N	P10 PDU FRUS	1	46-317099P10 60HZ REGULATED PDU FRUS (SEE PAGE 6-4)

5.5 60Hz 480V FRU LIST 46-320736G10 FRU N (PART OF 46-317099P10 PAGE 6-4)

Item	Part Number	FRU	Name	Quantity	Description (Remarks)
10005	46-307819P37	2	ON-LINE FRU	2	ON-LINE 1000-005 FAN 115V 115CFM
10009	46-307819P76	2	ON-LINE FRU	2	ON-LINE 1000-009 FILTER, FAN, 4-1/2"
11059	46-307819P69	2	ON-LINE FRU	16	ON-LINE 1200-059 TERMINAL BLOCK 600V
11061	46-307819P70	2	ON-LINE FRU	13	ON-LINE 1200-061 TERMINAL BLOCK 600V
11079	46-307819P71	2	ON-LINE FRU	9	ON-LINE 1200-079 TERMINAL BLOCK #2GA
11084	46-307819P72	2	ON-LINE FRU	1	ON-LINE 1200-084 TERMINAL BLOCK #4GA
11107	46-307819P96	2	ON-LINE FRU	5	ON-LINE 1200-107 2-POSITION LUG
11108	46-307819P97	2	ON-LINE FRU	1	ON-LINE 1200-108 30A TERMINAL STRIP
12005	46-307819P77	2	ON-LINE FRU	24	ON-LINE 1360-005 NYLON STANDOFF, HEX
14003	46-307819P3	2	ON-LINE FRU	3	ON-LINE 1400-003 480V 60HZ REF XFMR
14018	46-307819P5	2	ON-LINE FRU	3	ON-LINE 1400-018 480/9.6V DIVDR XFMR
16003	46-307819P8	2	ON-LINE FRU	3	ON-LINE 1425-003 100:5 CURRENT XFMR
17954	46-307819P108	2	ON-LINE FRU	1	ON-LINE 1450-954 480V 60HZ REG. XFMR
17970	46-307819P103	2	ON-LINE FRU	3	ON-LINE 1450-970 15A 500UH INDUCTOR
18170	46-307819P98	2	ON-LINE FRU	3	ON-LINE 1525-170 10UF 660V CAPACITOR
18171	46-307819P100	2	ON-LINE FRU	6	ON-LINE 1525-171 80UF 240V CAPACITOR
18172	46-307819P102	2	ON-LINE FRU	6	ON-LINE 1525-172 45UF 370V CAPACITOR
19009	46-307819P99	2	ON-LINE FRU	3	ON-LINE 1530-009 CAP BRACKET, FOOTED
19010	46-307819P101	2	ON-LINE FRU	12	ON-LINE 1530-010 STAND-UP BRACKET
20020	46-307819P10	2	ON-LINE FRU	1	ON-LINE 1600-020 RED LED, 6V, 10MA
22021	46-307819P53	1	ON-LINE FRU	3	ON-LINE 1625-002-01 SCR DRIVER BOARD
22034	46-307819P52	1	ON-LINE FRU	3	ON-LINE 1625-003-04 CONTROL LOGIC BD
22041	46-307819P13	1	ON-LINE FRU	18	ON-LINE 1625-004-01 SNUBBER BOARD
22314	46-307819P15	1	ON-LINE FRU	1	ON-LINE 1625-031-04 FAIL DETECTOR BD
22591	46-307819P46	1	ON-LINE FRU	1	ON-LINE 1625-059-01 PDU CONTROL PWB
25355	46-307819P105	2	ON-LINE FRU	15	ON-LINE 1650-355 RESISTOR 220K 2W MO
25356	46-307819P106	2	ON-LINE FRU	3	ON-LINE 1650-356 RESISTOR 2 OHM 25W
25357	46-307819P107	2	ON-LINE FRU	3	ON-LINE 1650-357 RESISTOR 1 OHM 50W
26003	46-307819P17	2	ON-LINE FRU	1	ON-LINE 1660-003 SHUNT TRIP RELAY
26004	46-307819P79	2	ON-LINE FRU	1	ON-LINE 1660-004 RELAY SOCKET
26022	46-307819P94	2	ON-LINE FRU	1	ON-LINE 1660-022 SOCKET, 11 PIN
26053	46-307819P93	2	ON-LINE FRU	1	ON-LINE 1660-053 RELAY 3P 11-PN 120V
28005	46-307819P60	2	ON-LINE FRU	3	ON-LINE 1680-005 EPO SWITCH COVER
28007	46-307819P62	2	ON-LINE FRU	2	ON-LINE 1680-007 EPO SW LENS, YELLOW
28008	46-307819P36	2	ON-LINE FRU	3	ON-LINE 1680-008 EPO PUSHBUTTON SW.
28019	46-307819P111	2	ON-LINE FRU	1	ON-LINE 1680-019 THERMAL SWITCH
28021	46-307819P19	2	ON-LINE FRU	1	ON-LINE 1680-021 480V BYPASS SWITCH
28074	46-307819P61	2	ON-LINE FRU	1	ON-LINE 1680-074 EPO LENS, WHITE
29002	46-307819P21	2	ON-LINE FRU	18	ON-LINE 1690-002 SCR, 95A, 1200V
29030	46-307819P47	2	ON-LINE FRU	3	ON-LINE 1690-030 MOV 150VRMS 300JOUL

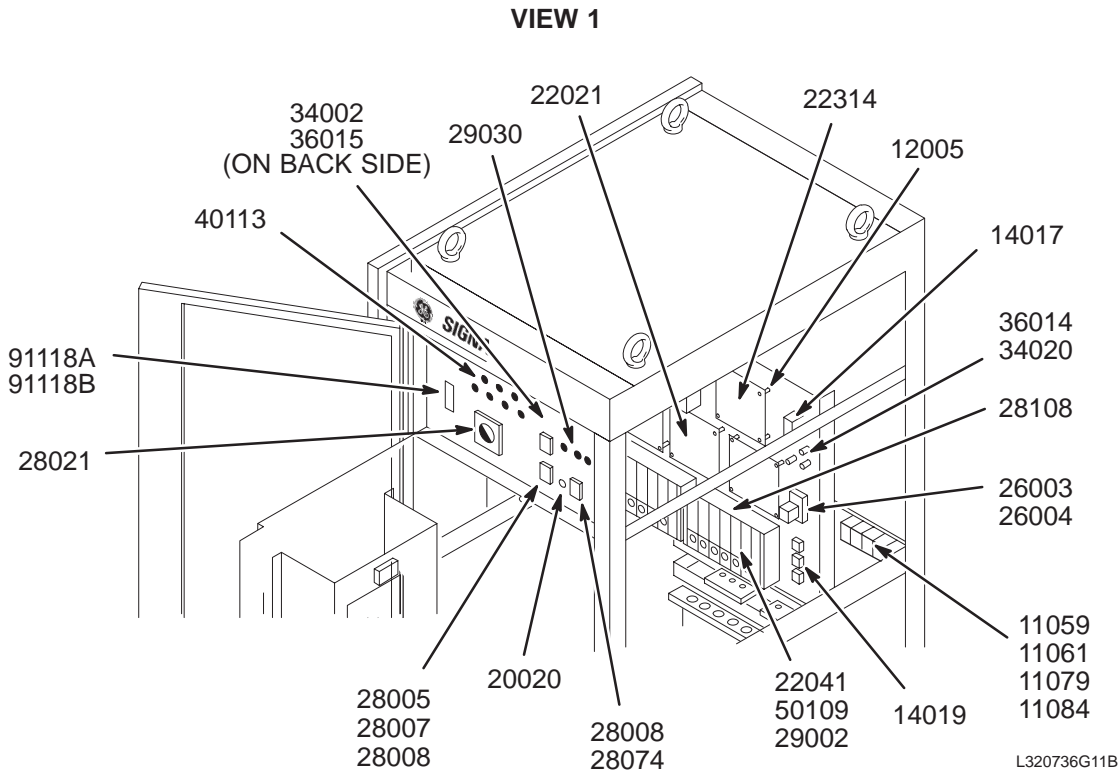
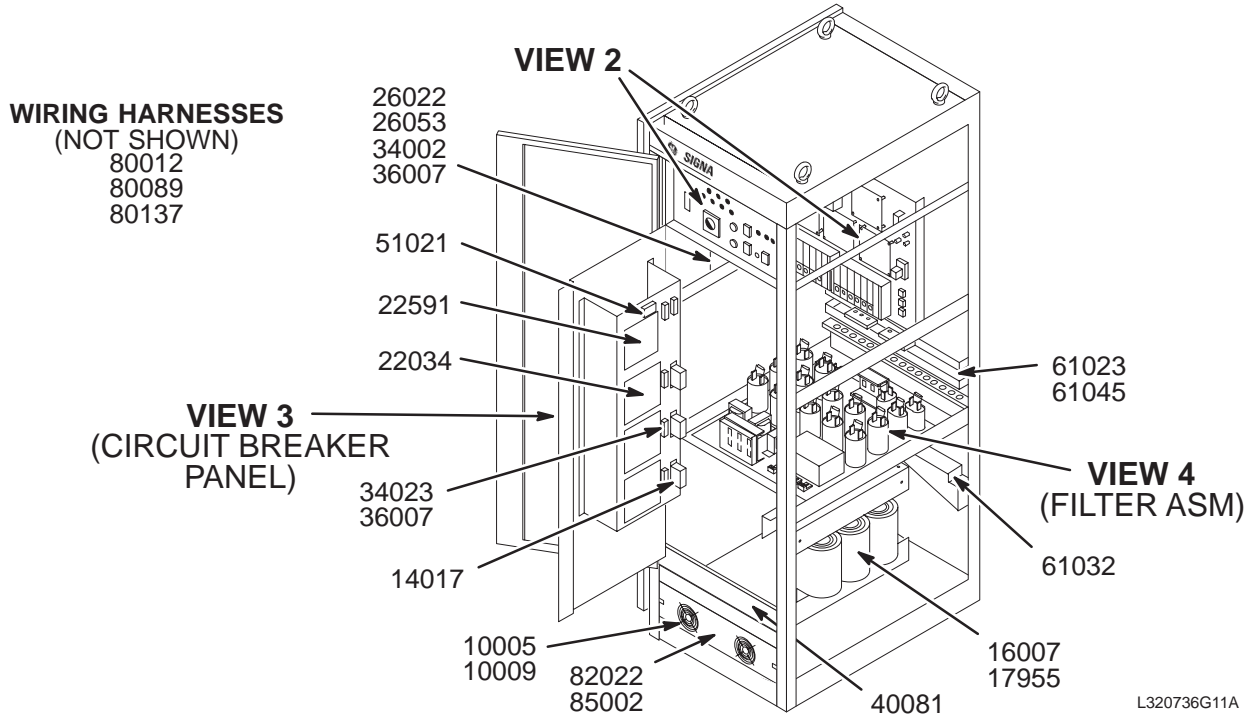
Parts List Continued On Next Page

5.5 50/60Hz FRU LIST 46-320736G11 FRU N (CONTINUED FROM PREVIOUS PAGE)

Item	Part Number	FRU	Name	Quantity	Description (Remarks)
29079	46-307819P104	2	ON-LINE FRU	3	ON-LINE 1690-079 MOV 320V 20MM 6.5KA
29080	46-307819P95	1	ON-LINE FRU	1	ON-LINE 1690-080 ACCUVAR SUPPRESSOR
30017	46-307819P125		ON-LINE FRU	1	SCREWDRIVER - ON-LINE PART #1950-017
31361	46-307819P42	2	ON-LINE FRU	3	ON-LINE 2025-361 CKT BKR 1P 15A 120V
31364	46-307819P40	2	ON-LINE FRU	5	ON-LINE 2025-364 CKT BKR 3P 30A 240V
34002	46-307819P44	2	ON-LINE FRU	3	ON-LINE 2075-002 FUSE 1 AMP 600V
34020	46-307819P28	2	ON-LINE FRU	3	ON-LINE 2075-020 FUSE 0.5A 200V SLOW
34023	46-307819P43	2	ON-LINE FRU	5	ON-LINE 2075-023 FUSE 1/4A 500V DUAL
36001	46-307819P51	2	ON-LINE FRU	2	ON-LINE 2085-001 KTK FUSE HOLDER
36007	46-307819P48	2	ON-LINE FRU	6	ON-LINE 2085-007 FUSE HOLDER, FLAT
36014	46-307819P54	2	ON-LINE FRU	3	ON-LINE 2085-014 FUSE HOLDER, PANEL
36015	46-307819P68	2	ON-LINE FRU	3	ON-LINE 2085-015 FUSE CLIP
40081	46-307819P65	2	ON-LINE FRU	2	ON-LINE 3050-081 RECEPTACLE L21-30R1
40113	46-307819P58	2	ON-LINE FRU	7	ON-LINE 3050-113 RED TEST JACK
50109	46-307819P31	2	ON-LINE FRU	15	ON-LINE 4000-108 18AWG FUSELINK WIRE
51021	46-307819P45	2	ON-LINE FRU	1	ON-LINE 4025-021 TERMINAL BLOCK
61023	46-307819P74	2	ON-LINE FRU	1	ON-LINE 5100-023 BUS BAR
61032	46-307819P75	2	ON-LINE FRU	2	ON-LINE 5100-032 TRANSFORMER STRAP
61045	46-307819P73	2	ON-LINE FRU	1	ON-LINE 5100-045 BUS BAR-2
80012	46-307819P34	2	ON-LINE FRU	18	ON-LINE 7060-012 HARNESS DRIVE/SNUBR
80089	46-307819P67	2	ON-LINE FRU	1	ON-LINE 7060-089 MAIN HARNESS
80137	46-307819P116	2	ON-LINE FRU	3	ON-LINE 7060-137 HARNESS LOGIC/LOGIC
80145	46-307819P112	2	ON-LINE FRU	3	ON-LINE 7060-145 HARNESS LOGIC/DRIVR
82022	46-307819P88	2	ON-LINE FRU	2	ON-LINE 730220022-01 FUSE 2A 600V SL
85002	46-307819P49	2	ON-LINE FRU	2	ON-LINE 731000002-01 FUSE HLDR, FLAT
91118A	46-307819P86	2	ON-LINE FRU	1	ON-LINE 9100-118-01 3P 80A CKT BKR
91118C	46-307819P82	2	ON-LINE FRU	2	ON-LINE 9100-118-03 3P 60A CKT BKR
91118E	46-320337P1	2	CKT BREAKER	ALT	ON-LINE 9100-118-06, 30A CKT BREAKER
91118F	46-307819P85	N	ON-LINE FRU	2	USE 46-320337P1 AS FIELD REPLACEMENT
91118G	46-320337P4	2	CKT BREAKER	ALT	ON-LINE 9100-118-07, 15A CKT BREAKER

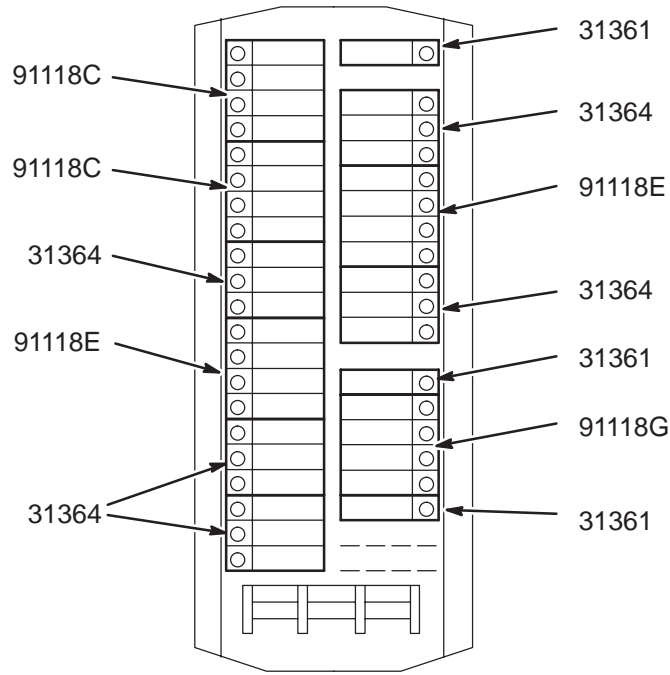
5.5 COMPACT PDU – 50/60Hz 380/400/415V REGULATED & FILTERED

46-317099P11



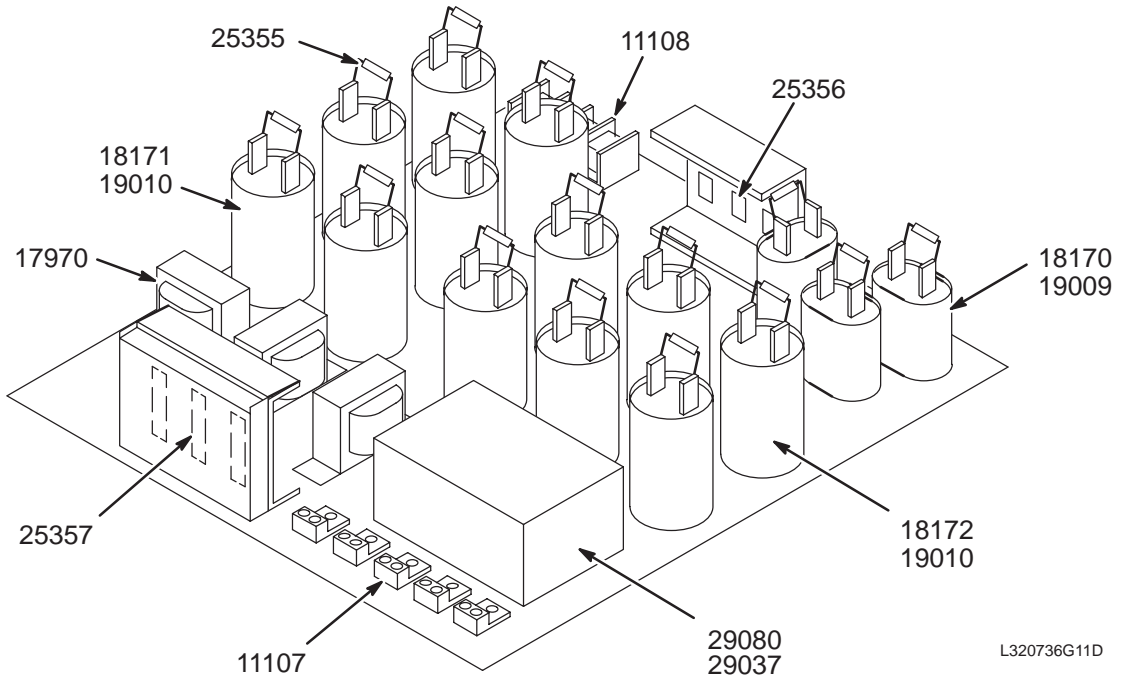
5.5 COMPACT PDU – 50/60Hz 380/400/415V REGULATED & FILTERED

46-317099P11



L320736G11C

VIEW 3



L320736G11D

VIEW 4

5.5 50/60Hz REG/FLT'D PDU 46-317099P11 FRU N (PART OF M1010HA SECTION 1)

Item	Part Number	FRU	Name	Quantity	Description (Remarks)
1	46-320736G11	N	P11 PDU FRUS	1	46-317099P11 50HZ REGULATED PDU FRUS (SEE PAGE 6-8)

5.5 50/60Hz FRU LIST 46-320736G11 FRU N (PART OF 46-317099P11 PAGE 6-8)

Item	Part Number	FRU	Name	Quantity	Description (Remarks)
10005	46-307819P37	2	ON-LINE FRU	2	ON-LINE 1000-005 FAN 115V 115CFM
10009	46-307819P76	2	ON-LINE FRU	2	ON-LINE 1000-009 FILTER, FAN, 4-1/2"
11059	46-307819P69	2	ON-LINE FRU	16	ON-LINE 1200-059 TERMINAL BLOCK 600V
11061	46-307819P70	2	ON-LINE FRU	13	ON-LINE 1200-061 TERMINAL BLOCK 600V
11079	46-307819P71	2	ON-LINE FRU	9	ON-LINE 1200-079 TERMINAL BLOCK #2GA
11084	46-307819P72	2	ON-LINE FRU	1	ON-LINE 1200-084 TERMINAL BLOCK #4GA
11107	46-307819P96	2	ON-LINE FRU	5	ON-LINE 1200-107 2-POSITION LUG
11108	46-307819P97	2	ON-LINE FRU	1	ON-LINE 1200-108 30A TERMINAL STRIP
12005	46-307819P77	2	ON-LINE FRU	24	ON-LINE 1360-005 NYLON STANDOFF, HEX
14017	46-307819P4	2	ON-LINE FRU	4	ON-LINE 1400-017 50HZ REFERENCE XFMR
14019	46-307819P6	2	ON-LINE FRU	3	ON-LINE 1400-019 415/8.3V DIVDR XFMR
16007	46-307819P9	2	ON-LINE FRU	3	ON-LINE 1425-007 200:5 CURRENT XFMR
17955	46-307819P109	2	ON-LINE FRU	1	ON-LINE 1450-955 380/415V 50HZ XFMR
17970	46-307819P103	2	ON-LINE FRU	3	ON-LINE 1450-970 15A 500UH INDUCTOR
18170	46-307819P98	2	ON-LINE FRU	3	ON-LINE 1525-170 10UF 660V CAPACITOR
18171	46-307819P100	2	ON-LINE FRU	6	ON-LINE 1525-171 80UF 240V CAPACITOR
18172	46-307819P102	2	ON-LINE FRU	6	ON-LINE 1525-172 45UF 370V CAPACITOR
19009	46-307819P99	2	ON-LINE FRU	3	ON-LINE 1530-009 CAP BRACKET, FOOTED
19010	46-307819P101	2	ON-LINE FRU	12	ON-LINE 1530-010 STAND-UP BRACKET
20020	46-307819P10	2	ON-LINE FRU	1	ON-LINE 1600-020 RED LED, 6V, 10MA
22021	46-307819P53	1	ON-LINE FRU	3	ON-LINE 1625-002-01 SCR DRIVER BOARD
22034	46-307819P52	1	ON-LINE FRU	3	ON-LINE 1625-003-04 CONTROL LOGIC BD
22041	46-307819P13	1	ON-LINE FRU	18	ON-LINE 1625-004-01 SNUBBER BOARD
22314	46-307819P15	1	ON-LINE FRU	1	ON-LINE 1625-031-04 FAIL DETECTOR BD
22591	46-307819P46	1	ON-LINE FRU	1	ON-LINE 1625-059-01 PDU CONTROL PWB
25355	46-307819P105	2	ON-LINE FRU	15	ON-LINE 1650-355 RESISTOR 220K 2W MO
25356	46-307819P106	2	ON-LINE FRU	3	ON-LINE 1650-356 RESISTOR 2 OHM 25W
25357	46-307819P107	2	ON-LINE FRU	3	ON-LINE 1650-357 RESISTOR 1 OHM 50W
26003	46-307819P17	2	ON-LINE FRU	1	ON-LINE 1660-003 SHUNT TRIP RELAY
26004	46-307819P79	2	ON-LINE FRU	1	ON-LINE 1660-004 RELAY SOCKET
26022	46-307819P94	2	ON-LINE FRU	1	ON-LINE 1660-022 SOCKET, 11 PIN
26053	46-307819P93	2	ON-LINE FRU	1	ON-LINE 1660-053 RELAY 3P 11-PN 120V
28005	46-307819P60	2	ON-LINE FRU	3	ON-LINE 1680-005 EPO SWITCH COVER
28007	46-307819P62	2	ON-LINE FRU	2	ON-LINE 1680-007 EPO SW LENS, YELLOW
28008	46-307819P36	2	ON-LINE FRU	3	ON-LINE 1680-008 EPO PUSHBUTTON SW.
28009	46-307819P18	2	ON-LINE FRU	2	ON-LINE 1680-009 28V BULB, EPO RESET
28021	46-307819P19	2	ON-LINE FRU	1	ON-LINE 1680-021 480V BYPASS SWITCH
28074	46-307819P61	2	ON-LINE FRU	1	ON-LINE 1680-074 EPO LENS, WHITE
28108	46-307819P114	2	ON-LINE FRU	1	ON-LINE 1680-108 THERMAL SWITCH
29002	46-307819P21	2	ON-LINE FRU	18	ON-LINE 1690-002 SCR, 95A, 1200V

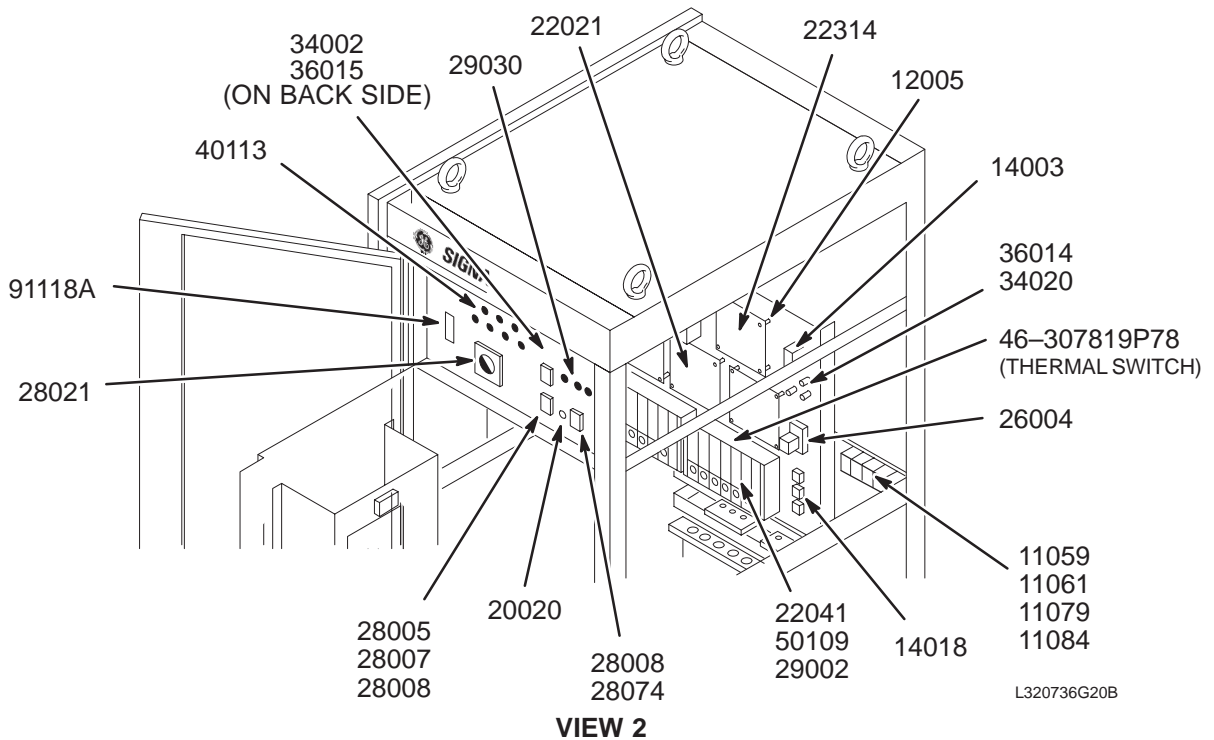
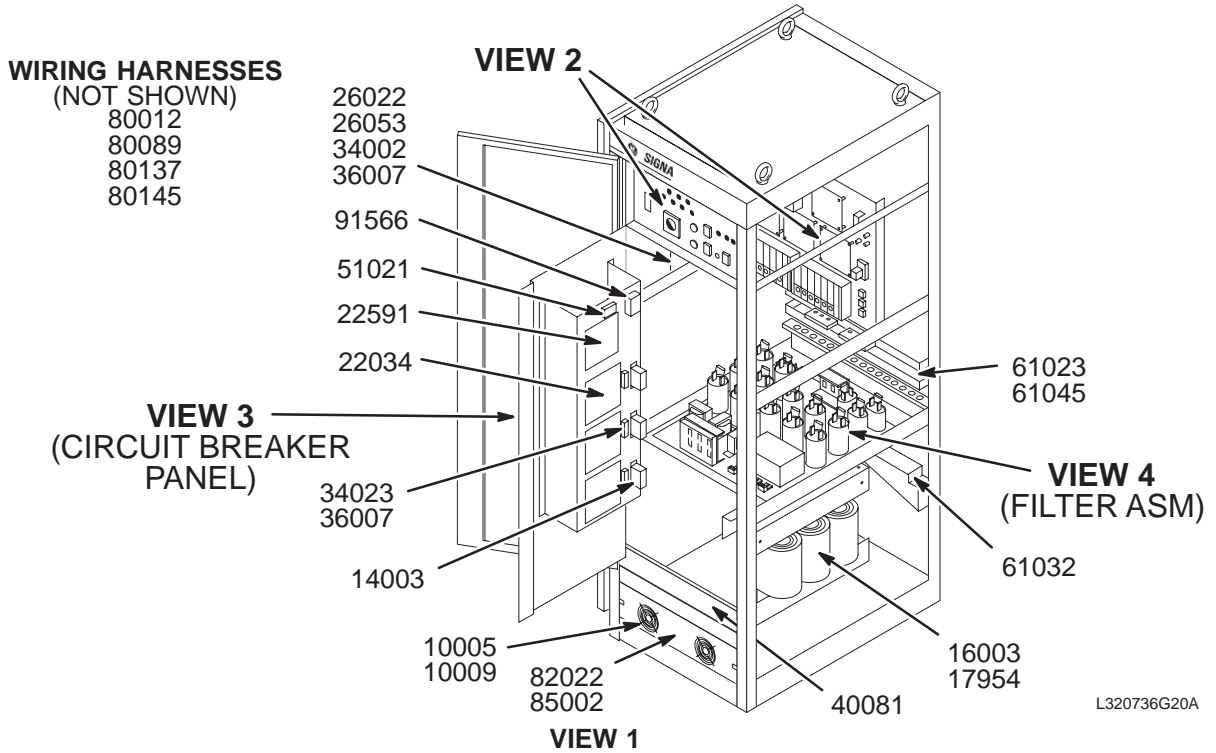
Parts List Continued On Next Page

5.5 50/60Hz FRU LIST 46-320736G11 FRU N (CONTINUED FROM PREVIOUS PAGE)

Item	Part Number	FRU	Name	Quantity	Description (Remarks)
29030	46-307819P47	2	ON-LINE FRU		ON-LINE 1690-030 MOV 150VRMS 300JOUL
29037	46-307819P57	2	ON-LINE FRU	18	ON-LINE 1690-037 SCR 95A 1200V, VDE
29079	46-307819P104	2	ON-LINE FRU	3	ON-LINE 1690-079 MOV 320V 20MM 6.5KA
29080	46-307819P95	1	ON-LINE FRU	1	ON-LINE 1690-080 ACCUVAR SUPPRESSOR
30017	46-307819P125		ON-LINE FRU	1	SCREWDRIVER - ON-LINE PART #1950-017
31361	46-307819P42	2	ON-LINE FRU	3	ON-LINE 2025-361 CKT BKR 1P 15A 120V
31364	46-307819P40	2	ON-LINE FRU	5	ON-LINE 2025-364 CKT BKR 3P 30A 240V
34002	46-307819P44	2	ON-LINE FRU	3	ON-LINE 2075-002 FUSE 1 AMP 600V
34020	46-307819P28	2	ON-LINE FRU	3	ON-LINE 2075-020 FUSE 0.5A 200V SLOW
34023	46-307819P43	2	ON-LINE FRU	5	ON-LINE 2075-023 FUSE 1/4A 500V DUAL
36007	46-307819P48	2	ON-LINE FRU	6	ON-LINE 2085-007 FUSE HOLDER, FLAT
36014	46-307819P54	2	ON-LINE FRU	3	ON-LINE 2085-014 FUSE HOLDER, PANEL
36015	46-307819P68	2	ON-LINE FRU	3	ON-LINE 2085-015 FUSE CLIP
40081	46-307819P65	2	ON-LINE FRU	2	ON-LINE 3050-081 RECEPTACLE L21-30R1
40113	46-307819P58	2	ON-LINE FRU	7	ON-LINE 3050-113 RED TEST JACK
50109	46-307819P31	2	ON-LINE FRU	15	ON-LINE 4000-108 18AWG FUSELINK WIRE
51021	46-307819P45	2	ON-LINE FRU	9	ON-LINE 4025-021 TERMINAL BLOCK
61023	46-307819P74	2	ON-LINE FRU	1	ON-LINE 5100-023 BUS BAR
61032	46-307819P75	2	ON-LINE FRU	2	ON-LINE 5100-032 TRANSFORMER STRAP
61045	46-307819P73	2	ON-LINE FRU	1	ON-LINE 5100-045 BUS BAR-2
80012	46-307819P34	2	ON-LINE FRU	18	ON-LINE 7060-012 HARNESS DRIVE/SNUBR
80089	46-307819P67	2	ON-LINE FRU	1	ON-LINE 7060-089 MAIN HARNESS
80137	46-307819P112	2	ON-LINE FRU	3	ON-LINE 7060-145 HARNESS LOGIC/DRIVR
82022	46-307819P88	2	ON-LINE FRU	2	ON-LINE 730220022-01 FUSE 2A 600V SL
85002	46-307819P49	2	ON-LINE FRU	2	ON-LINE 731000002-01 FUSE HLDR, FLAT
91118A	46-307819P86	2	ON-LINE FRU	1	ON-LINE 9100-118-01 3P 80A CKT BKR
91118B	46-307819P87	2	ON-LINE FRU	1	ON-LINE 9100-118-02 3P 80A CB 600V
91118C	46-307819P82	2	ON-LINE FRU	2	ON-LINE 9100-118-03 3P 60A CKT BKR
91118E	46-320337P1	2	CKT BREAKER	ALT	ON-LINE 9100-118-06, 30A CKT BREAKER
91118F	46-307819P85	N	ON-LINE FRU	2	USE 46-320337P1 AS FIELD REPLACEMENT
91118G	46-320337P4	2	CKT BREAKER	ALT	ON-LINE 9100-118-07, 15A CKT BREAKER

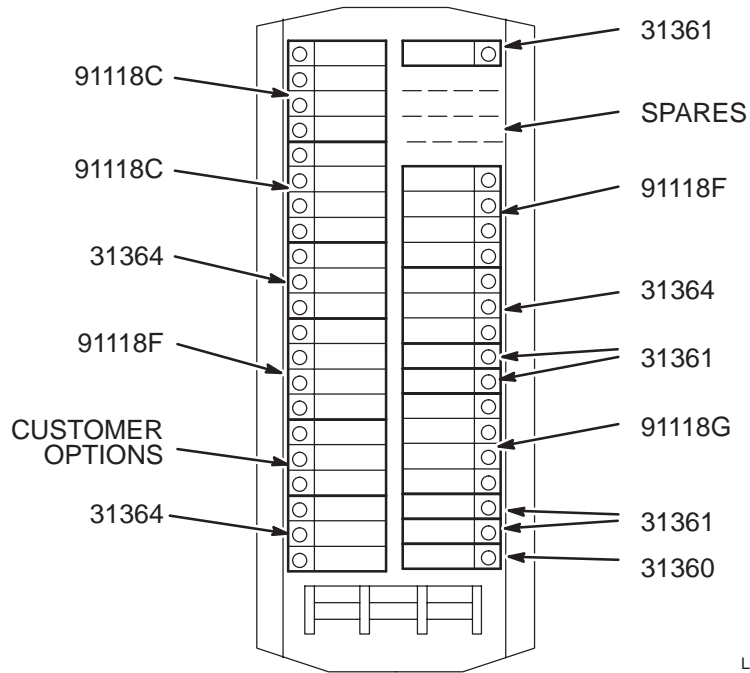
LX COMPACT PDU – 60Hz 480V REGULATED & FILTERED

46-317099P20



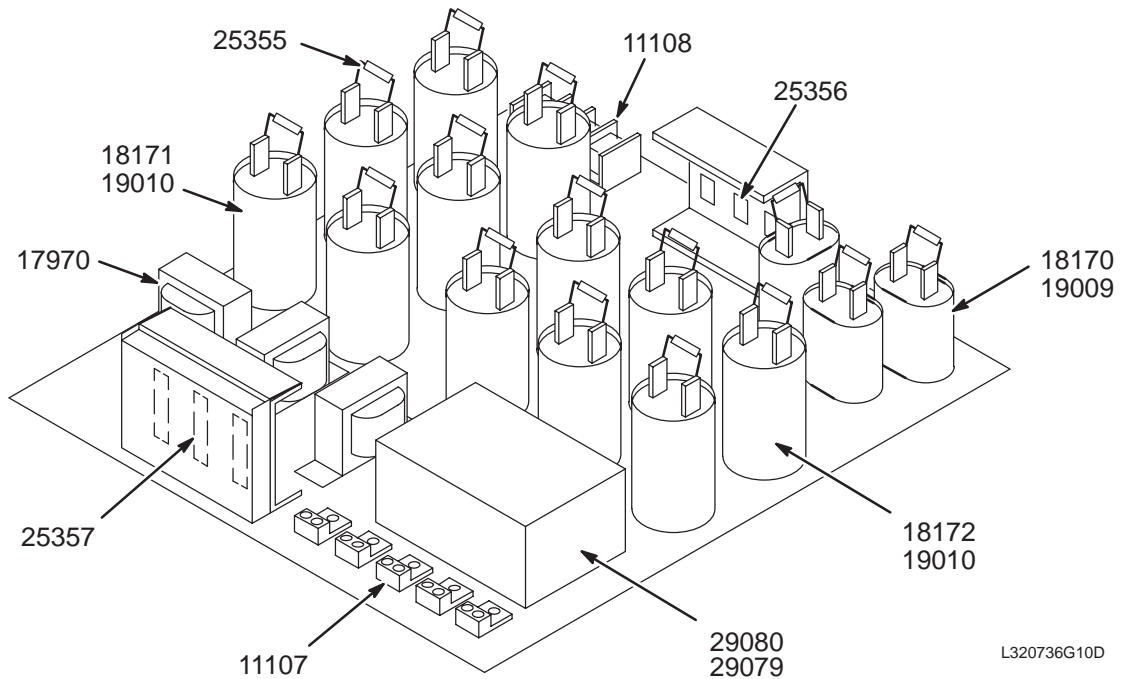
LX COMPACT PDU – 60Hz 480V REGULATED & FILTERED

46-317099P20



L320736G20C

VIEW 3



L320736G10D

VIEW 4

LX 60Hz 480V REG/FILT'D PDU 46-317099P20 FRU N (PART OF M1011HA SECTION 1)

Item	Part Number	FRU	Name	Quantity	Description (Remarks)
1	46-320736G20	N	P20 PDU FRUS	1	46-317099P2060HZ REGULATED PDU FRUS (SEE PAGE 6-12)

LX 60Hz 480V FRU LIST 46-320736G20 FRU N (PART OF 46-317099P20 PAGE 6-12)

Item	Part Number	FRU	Name	Quantity	Description (Remarks)
10005	46-307819P37	2	ON-LINE FRU	2	ON-LINE 1000-005 FAN 115V 115CFM
10009	46-307819P76	2	ON-LINE FRU	2	ON-LINE 1000-009 FILTER, FAN, 4-1/2"
11059	46-307819P69	2	ON-LINE FRU	16	ON-LINE 1200-059 TERMINAL BLOCK 600V
11061	46-307819P70	2	ON-LINE FRU	13	ON-LINE 1200-061 TERMINAL BLOCK 600V
11079	46-307819P71	2	ON-LINE FRU	9	ON-LINE 1200-079 TERMINAL BLOCK #2GA
11084	46-307819P72	2	ON-LINE FRU	1	ON-LINE 1200-084 TERMINAL BLOCK #4GA
11107	46-307819P96	2	ON-LINE FRU	5	ON-LINE 1200-107 2-POSITION LUG
11108	46-307819P97	2	ON-LINE FRU	1	ON-LINE 1200-108 30A TERMINAL STRIP
12005	46-307819P77	2	ON-LINE FRU	24	ON-LINE 1360-005 NYLON STANDOFF, HEX
14003	46-307819P3	2	ON-LINE FRU	3	ON-LINE 1400-003 480V 60HZ REF XFMR
14018	46-307819P5	2	ON-LINE FRU	3	ON-LINE 1400-018 480/9.6V DIVDR XFMR
16003	46-307819P8	2	ON-LINE FRU	3	ON-LINE 1425-003 100:5 CURRENT XFMR
17954	46-307819P108	2	ON-LINE FRU	1	ON-LINE 1450-954 480V 60HZ REG. XFMR
17970	46-307819P103	2	ON-LINE FRU	3	ON-LINE 1450-970 15A 500UH INDUCTOR
18170	46-307819P98	2	ON-LINE FRU	3	ON-LINE 1525-170 10UF 660V CAPACITOR
18171	46-307819P100	2	ON-LINE FRU	6	ON-LINE 1525-171 80UF 240V CAPACITOR
18172	46-307819P102	2	ON-LINE FRU	6	ON-LINE 1525-172 45UF 370V CAPACITOR
19009	46-307819P99	2	ON-LINE FRU	3	ON-LINE 1530-009 CAP BRACKET, FOOTED
19010	46-307819P101	2	ON-LINE FRU	12	ON-LINE 1530-010 STAND-UP BRACKET
20020	46-307819P10	2	ON-LINE FRU	1	ON-LINE 1600-020 RED LED, 6V, 10MA
22021	46-307819P53	1	ON-LINE FRU	3	ON-LINE 1625-002-01 SCR DRIVER BOARD
22034	46-307819P52	1	ON-LINE FRU	3	ON-LINE 1625-003-04 CONTROL LOGIC BD
22041	46-307819P13	1	ON-LINE FRU	18	ON-LINE 1625-004-01 SNUBBER BOARD
22314	46-307819P15	1	ON-LINE FRU	1	ON-LINE 1625-031-04 FAIL DETECTOR BD
22591	46-307819P46	1	ON-LINE FRU	1	ON-LINE 1625-059-01 PDU CONTROL PWB
25355	46-307819P105	2	ON-LINE FRU	15	ON-LINE 1650-355 RESISTOR 220K 2W MO
25356	46-307819P106	2	ON-LINE FRU	3	ON-LINE 1650-356 RESISTOR 2 OHM 25W
25357	46-307819P107	2	ON-LINE FRU	3	ON-LINE 1650-357 RESISTOR 1 OHM 50W
26004	46-307819P79	2	ON-LINE FRU	1	ON-LINE 1660-004 RELAY SOCKET
26022	46-307819P94	2	ON-LINE FRU	1	ON-LINE 1660-022 SOCKET, 11 PIN
26053	46-307819P93	2	ON-LINE FRU	1	ON-LINE 1660-053 RELAY 3P 11-PN 120V
28005	46-307819P60	2	ON-LINE FRU	3	ON-LINE 1680-005 EPO SWITCH COVER
28008	46-307819P36	2	ON-LINE FRU	3	ON-LINE 1680-008 EPO PUSHBUTTON SW.
28019	46-307819P111	2	ON-LINE FRU	1	ON-LINE 1680-019 THERMAL SWITCH
28021	46-307819P19	2	ON-LINE FRU	1	ON-LINE 1680-021 480V BYPASS SWITCH
28074	46-307819P61	2	ON-LINE FRU	1	ON-LINE 1680-074 EPO LENS, WHITE
29002	46-307819P21	2	ON-LINE FRU	18	ON-LINE 1690-002 SCR, 95A, 1200V
29030	46-307819P47	2	ON-LINE FRU	3	ON-LINE 1690-030 MOV 150VRMS 300JOUL
29079	46-307819P104	2	ON-LINE FRU	3	ON-LINE 1690-079 MOV 320V 20MM 6.5KA
29080	46-307819P95	1	ON-LINE FRU	1	ON-LINE 1690-080 ACCUVAR SUPPRESSOR

Parts List Continued On Next Page

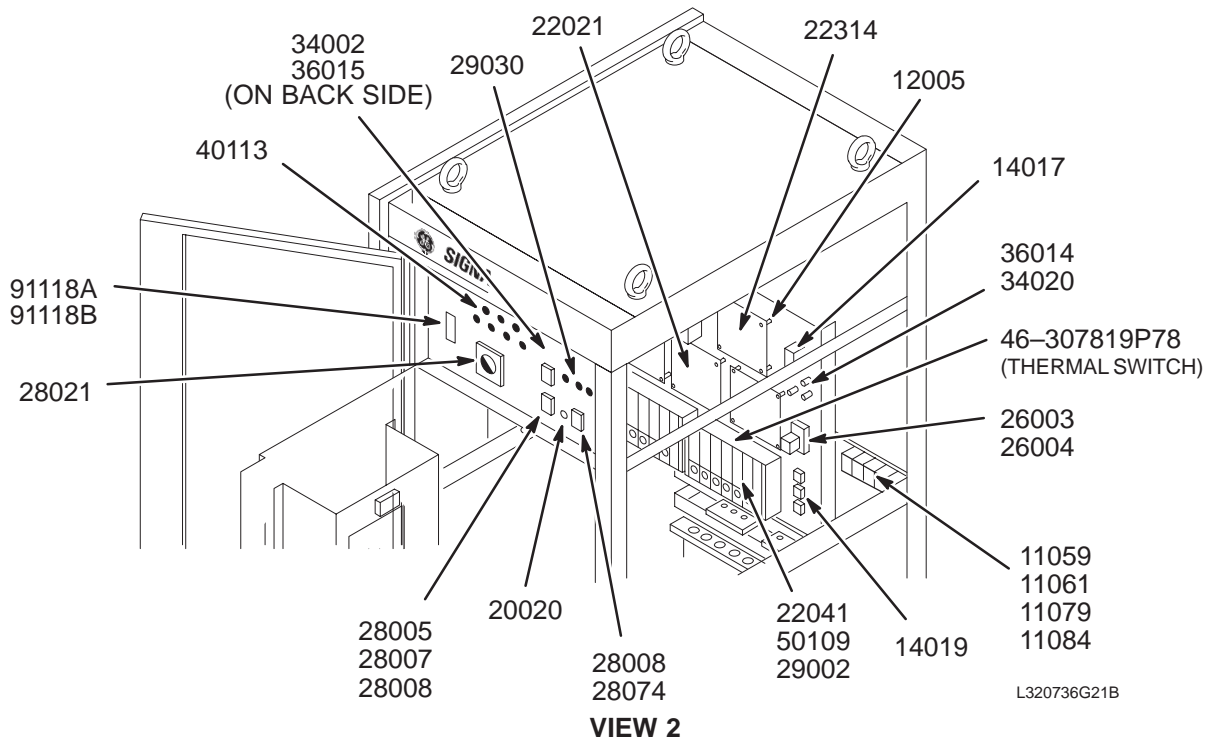
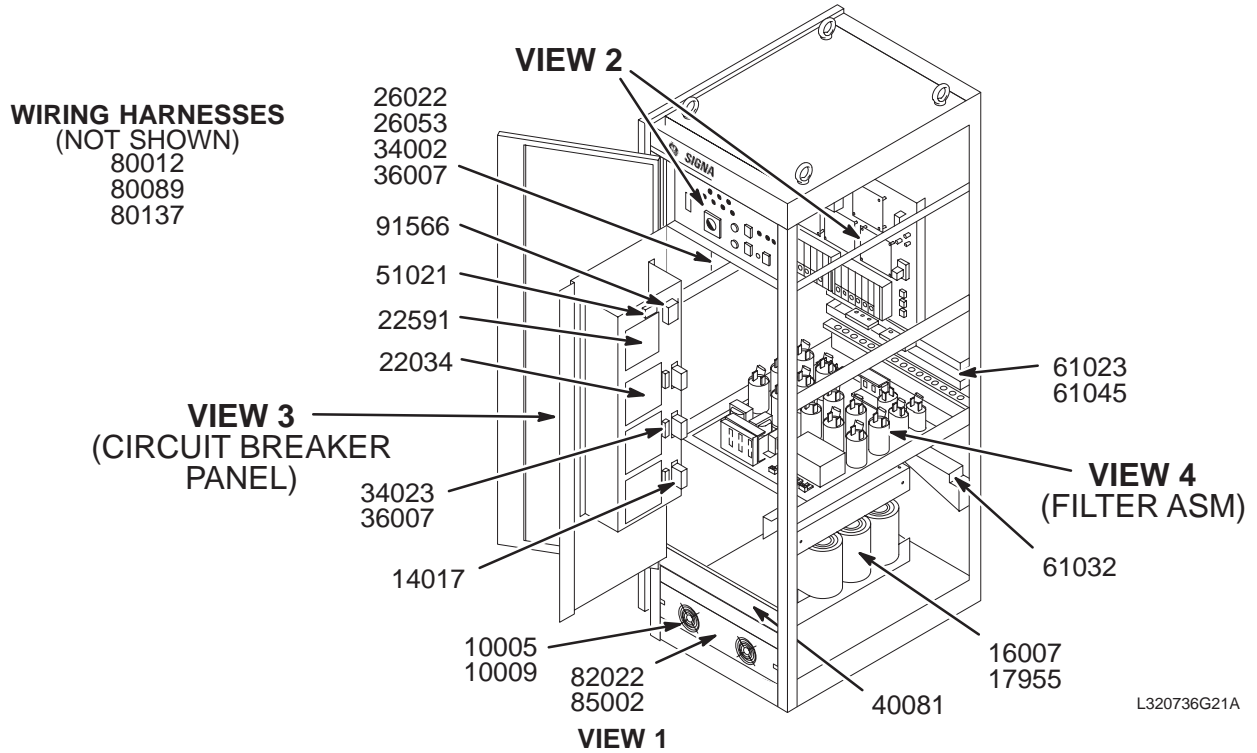
LX 60Hz 480V FRU LIST 46-320736G20 FRU N (CONTINUED FROM PREVIOUS PAGE)

Item	Part Number	FRU	Name	Quantity	Description (Remarks)
31360	46-307819P127	2	ON-LINE AAA	1	ON-LINE 2025-360 1 POLE 20 AMP
31361	46-307819P42	2	ON-LINE FRU	6	ON-LINE 2025-361 CKT BKR 1P 15A 120V
31364	46-307819P40	2	ON-LINE FRU	5	ON-LINE 2025-364 CKT BKR 3P 30A 240V
34002	46-307819P44	2	ON-LINE FRU	3	ON-LINE 2075-002 FUSE 1 AMP 600V
34020	46-307819P28	2	ON-LINE FRU	3	ON-LINE 2075-020 FUSE 0.5A 200V SLOW
34023	46-307819P43	2	ON-LINE FRU	5	ON-LINE 2075-023 FUSE 1/4A 500V DUAL
36001	46-307819P51	2	ON-LINE FRU	2	ON-LINE 2085-001 KTK FUSE HOLDER
36007	46-307819P48	2	ON-LINE FRU	6	ON-LINE 2085-007 FUSE HOLDER, FLAT
36014	46-307819P54	2	ON-LINE FRU	3	ON-LINE 2085-014 FUSE HOLDER, PANEL
36015	46-307819P68	2	ON-LINE FRU	3	ON-LINE 2085-015 FUSE CLIP
40081	46-307819P65	2	ON-LINE FRU	2	ON-LINE 3050-081 RECEPTACLE L21-30R1
40113	46-307819P58	2	ON-LINE FRU	7	ON-LINE 3050-113 RED TEST JACK
50109	46-307819P31	2	ON-LINE FRU	15	ON-LINE 4000-108 18AWG FUSELINK WIRE
51021	46-307819P45	2	ON-LINE FRU	1	ON-LINE 4025-021 TERMINAL BLOCK
61023	46-307819P74	2	ON-LINE FRU	1	ON-LINE 5100-023 BUS BAR
61032	46-307819P75	2	ON-LINE FRU	2	ON-LINE 5100-032 TRANSFORMER STRAP
61045	46-307819P73	2	ON-LINE FRU	1	ON-LINE 5100-045 BUS BAR-2
80012	46-307819P34	2	ON-LINE FRU	18	ON-LINE 7060-012 HARNESS DRIVE/SNUBR
80089	46-307819P67	2	ON-LINE FRU	1	ON-LINE 7060-089 MAIN HARNESS
80137	46-307819P116	2	ON-LINE FRU	3	ON-LINE 7060-137 HARNESS LOGIC/LOGIC
80145	46-307819P112	2	ON-LINE FRU	3	ON-LINE 7060-145 HARNESS LOGIC/DRIVR
82022	46-307819P88	2	ON-LINE FRU	2	ON-LINE 730220022-01 FUSE 2A 600V SL
85002	46-307819P49	2	ON-LINE FRU	2	ON-LINE 731000002-01 FUSE HLDR, FLAT
91118A	46-307819P86	2	ON-LINE FRU	1	ON-LINE 9100-118-01 3P 80A CKT BKR
91118C	46-307819P82	2	ON-LINE FRU	2	ON-LINE 9100-118-03 3P 60A CKT BKR
91118F	46-307819P85	2	ON-LINE FRU	2	USE 46-320337P1 AS FIELD REPLACEMENT
91118G*	46-320337P4	2	ON-LINE FRU	1	ON-LINE 9100-118-07 2P 15A CKT BKR
91566	46-307819P126	2	ON-LINE AAA	1	ON-LINE 9000-268-01 CIRCUIT BREAKER

Note: On the earlier versions of P20 and P21, this function was optional Resistive Shim P.S. which also used part no. 9100-118-07.

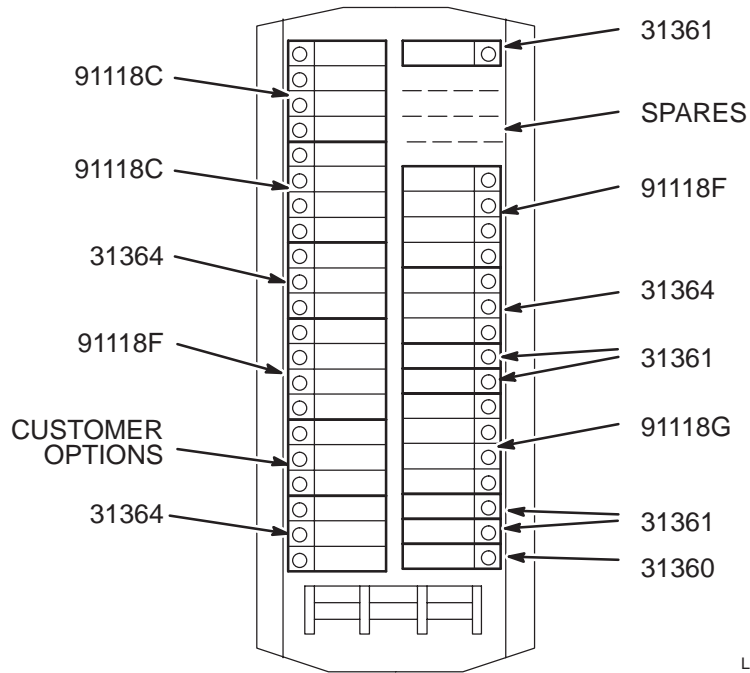
LX COMPACT PDU – 50/60Hz 380/400/415V REGULATED & FILTERED

46-317099P21

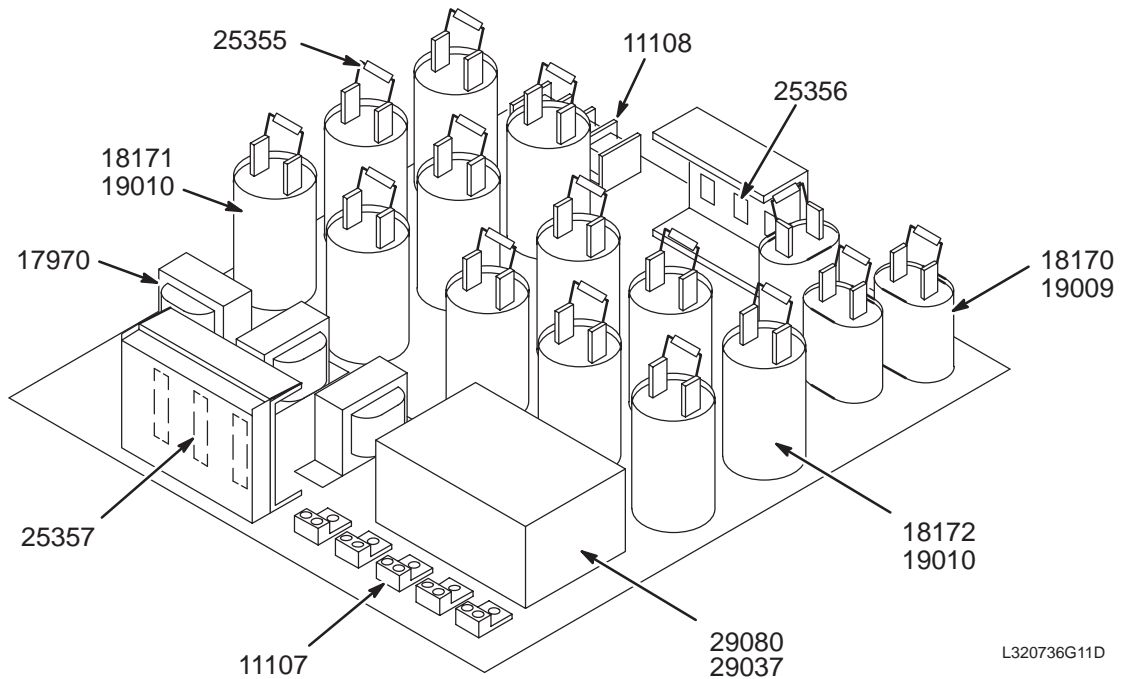


LX COMPACT PDU – 50/60Hz 380/400/415V REGULATED & FILTERED

46-317099P21



VIEW 3



VIEW 4

LX 50/60Hz REG/FILT'D PDU 46-317099P21 FRU N (PART OF M1012HA SECTION 1)

Item	Part Number	FRU	Name	Quantity	Description (Remarks)
1	46-320736G21	N	P21 PDU FRUS	1	46-317099P21 50HZ REGULATED PDU FRUS (SEE PAGE 6-16)

LX 50/60Hz FRU LIST 46-320736G21 FRU N (PART OF 46-317099P21 PAGE 6-16)

Item	Part Number	FRU	Name	Quantity	Description (Remarks)
10005	46-307819P37	2	ON-LINE FRU	2	ON-LINE 1000-005 FAN 115V 115CFM
10009	46-307819P76	2	ON-LINE FRU	2	ON-LINE 1000-009 FILTER, FAN, 4-1/2"
11059	46-307819P69	2	ON-LINE FRU	16	ON-LINE 1200-059 TERMINAL BLOCK 600V
11061	46-307819P70	2	ON-LINE FRU	13	ON-LINE 1200-061 TERMINAL BLOCK 600V
11079	46-307819P71	2	ON-LINE FRU	9	ON-LINE 1200-079 TERMINAL BLOCK #2GA
11084	46-307819P72	2	ON-LINE FRU	1	ON-LINE 1200-084 TERMINAL BLOCK #4GA
11107	46-307819P96	2	ON-LINE FRU	5	ON-LINE 1200-107 2-POSITION LUG
11108	46-307819P97	2	ON-LINE FRU	1	ON-LINE 1200-108 30A TERMINAL STRIP
12005	46-307819P77	2	ON-LINE FRU	24	ON-LINE 1360-005 NYLON STANDOFF, HEX
17970	46-307819P103	2	ON-LINE FRU	3	ON-LINE 1450-970 15A 500UH INDUCTOR
18170	46-307819P98	2	ON-LINE FRU	3	ON-LINE 1525-170 10UF 660V CAPACITOR
18171	46-307819P100	2	ON-LINE FRU	6	ON-LINE 1525-171 80UF 240V CAPACITOR
18172	46-307819P102	2	ON-LINE FRU	6	ON-LINE 1525-172 45UF 370V CAPACITOR
19009	46-307819P99	2	ON-LINE FRU	3	ON-LINE 1530-009 CAP BRACKET, FOOTED
19010	46-307819P101	2	ON-LINE FRU	12	ON-LINE 1530-010 STAND-UP BRACKET
20020	46-307819P10	2	ON-LINE FRU	1	ON-LINE 1600-020 RED LED, 6V, 10MA
22021	46-307819P53	1	ON-LINE FRU	3	ON-LINE 1625-002-01 SCR DRIVER BOARD
22034	46-307819P52	1	ON-LINE FRU	3	ON-LINE 1625-003-04 CONTROL LOGIC BD
22041	46-307819P13	1	ON-LINE FRU	18	ON-LINE 1625-004-01 SNUBBER BOARD
22314	46-307819P15	1	ON-LINE FRU	1	ON-LINE 1625-031-04 FAIL DETECTOR BD
22591	46-307819P46	1	ON-LINE FRU	1	ON-LINE 1625-059-01 PDU CONTROL PWB
25355	46-307819P105	2	ON-LINE FRU	15	ON-LINE 1650-355 RESISTOR 220K 2W MO
25356	46-307819P106	2	ON-LINE FRU	3	ON-LINE 1650-356 RESISTOR 2 OHM 25W
25357	46-307819P107	2	ON-LINE FRU	3	ON-LINE 1650-357 RESISTOR 1 OHM 50W
26004	46-307819P79	2	ON-LINE FRU	1	ON-LINE 1660-004 RELAY SOCKET
26022	46-307819P94	2	ON-LINE FRU	1	ON-LINE 1660-022 SOCKET, 11 PIN
26053	46-307819P93	2	ON-LINE FRU	1	ON-LINE 1660-053 RELAY 3P 11-PN 120V
28005	46-307819P60	2	ON-LINE FRU	3	ON-LINE 1680-005 EPO SWITCH COVER
28008	46-307819P36	2	ON-LINE FRU	3	ON-LINE 1680-008 EPO PUSHBUTTON SW.
28021	46-307819P19	2	ON-LINE FRU	1	ON-LINE 1680-021 480V BYPASS SWITCH
28074	46-307819P61	2	ON-LINE FRU	1	ON-LINE 1680-074 EPO LENS, WHITE
28108	46-307819P114	2	ON-LINE FRU	1	ON-LINE 1680-108 THERMAL SWITCH
29002	46-307819P21	2	ON-LINE FRU	18	ON-LINE 1690-002 SCR, 95A, 1200V
29030	46-307819P47	2	ON-LINE FRU	3	ON-LINE 1690-030 MOV 150VRMS 300JOUL
29037	46-307819P57	2	ON-LINE FRU	18	ON-LINE 1690-037 SCR 95A 1200V, VDE
29079	46-307819P104	2	ON-LINE FRU	3	ON-LINE 1690-079 MOV 320V 20MM 6.5KA
29080	46-307819P95	1	ON-LINE FRU	1	ON-LINE 1690-080 ACCUVAR SUPPRESSOR
31360	46-307819P127	2	ON-LINE AAA	1	ON-LINE 2025-360 1 POLE 20 AMP
31361	46-307819P42	2	ON-LINE FRU	6	ON-LINE 2025-361 CKT BKR 1P 15A 120V
31364	46-307819P40	2	ON-LINE FRU	5	ON-LINE 2025-364 CKT BKR 3P 30A 240V

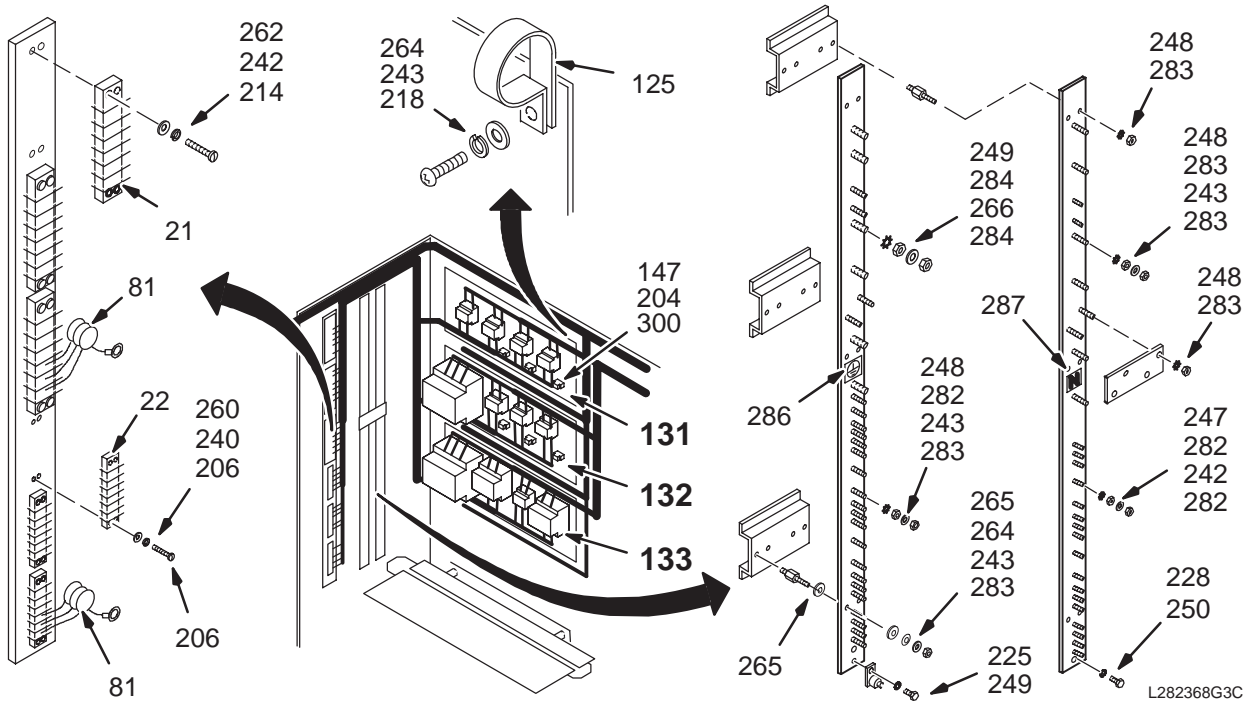
Parts List Continued On Next Page

LX 50/60Hz FRU LIST 46-320736G21 FRU N (CONTINUED FROM PREVIOUS PAGE)

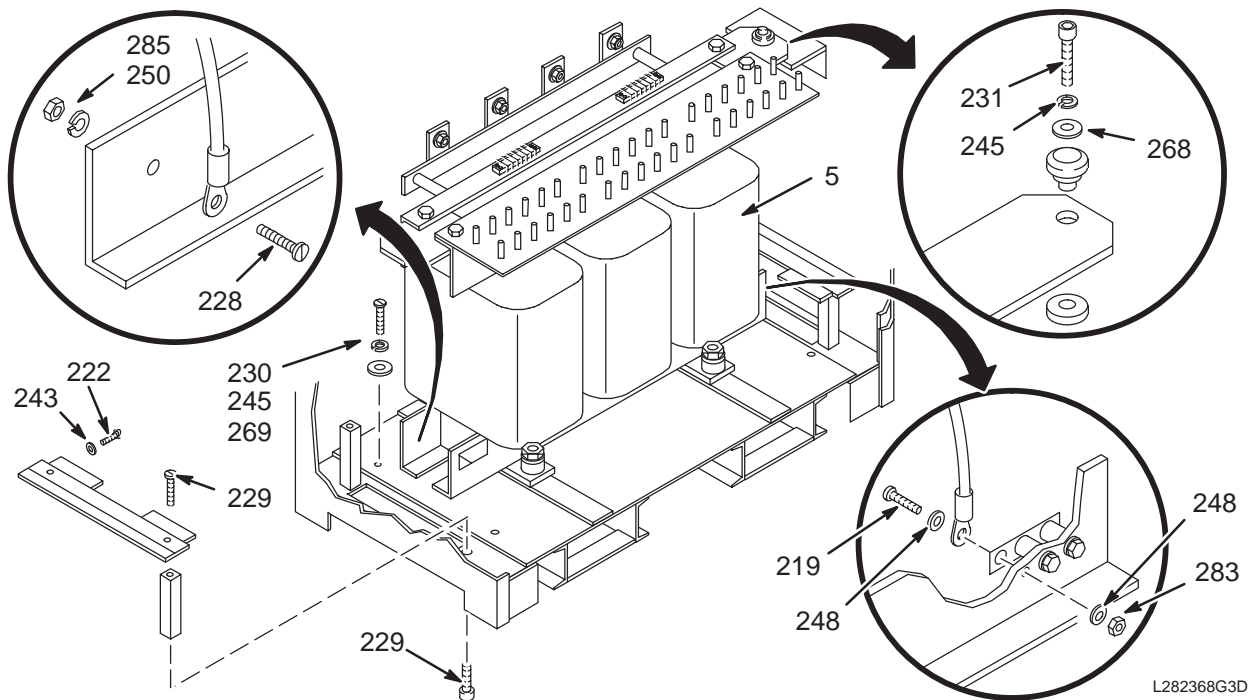
Item	Part Number	FRU	Name	Quantity	Description (Remarks)
34002	46-307819P44	2	ON-LINE FRU	3	ON-LINE 2075-002 FUSE 1 AMP 600V
34020	46-307819P28	2	ON-LINE FRU	3	ON-LINE 2075-020 FUSE 0.5A 200V SLOW
34023	46-307819P43	2	ON-LINE FRU	5	ON-LINE 2075-023 FUSE 1/4A 500V DUAL
36007	46-307819P48	2	ON-LINE FRU	6	ON-LINE 2085-007 FUSE HOLDER, FLAT
36014	46-307819P54	2	ON-LINE FRU	3	ON-LINE 2085-014 FUSE HOLDER, PANEL
36015	46-307819P68	2	ON-LINE FRU	3	ON-LINE 2085-015 FUSE CLIP
40081	46-307819P65	2	ON-LINE FRU	2	ON-LINE 3050-081 RECEPTACLE L21-30R1
40113	46-307819P58	2	ON-LINE FRU	7	ON-LINE 3050-113 RED TEST JACK
50109	46-307819P31	2	ON-LINE FRU	15	ON-LINE 4000-108 18AWG FUSELINK WIRE
51021	46-307819P45	2	ON-LINE FRU	1	ON-LINE 4025-021 TERMINAL BLOCK
61023	46-307819P74	2	ON-LINE FRU	1	ON-LINE 5100-023 BUS BAR
61032	46-307819P75	2	ON-LINE FRU	2	ON-LINE 5100-032 TRANSFORMER STRAP
61045	46-307819P73	2	ON-LINE FRU	1	ON-LINE 5100-045 BUS BAR-2
80012	46-307819P34	2	ON-LINE FRU	18	ON-LINE 7060-012 HARNESS DRIVE/SNUBR
80089	46-307819P67	2	ON-LINE FRU	1	ON-LINE 7060-089 MAIN HARNESS
80137	46-307819P116	2	ON-LINE FRU	3	ON-LINE 7060-137 HARNESS LOGIC/LOGIC
82022	46-307819P88	2	ON-LINE FRU	2	ON-LINE 730220022-01 FUSE 2A 600V SL
85002	46-307819P49	2	ON-LINE FRU	2	ON-LINE 731000002-01 FUSE HLDR, FLAT
91118A	46-307819P86	2	ON-LINE FRU	1	ON-LINE 9100-118-01 3P 80A CKT BKR
91118B	46-307819P87	2	ON-LINE FRU	1	ON-LINE 9100-118-02 3P 80A CB 600V
91118C	46-307819P82	2	ON-LINE FRU	2	ON-LINE 9100-118-03 3P 60A CKT BKR
91118F	46-307819P85	2	ON-LINE FRU	2	USE 46-320337P1 AS FIELD REPLACEMENT
91118G*	46-320337P4	2	ON-LINE FRU	1	ON-LINE 9100-118-07 2P 15A CKT BKR
91566	46-307819P126	2	ON-LINE AAA	1	ON-LINE 9000-268-01 CIRCUIT BREAKER

Note: On the earlier versions of P20 and P21, this function was optional Resistive Shim P.S. which also used part no. 9100-118-07.

POWER DISTRIBUTION UNIT (PDU) 46-282368G3 PD1 CONNECTIONS PANEL VIEW



VIEW 3



VIEW 4

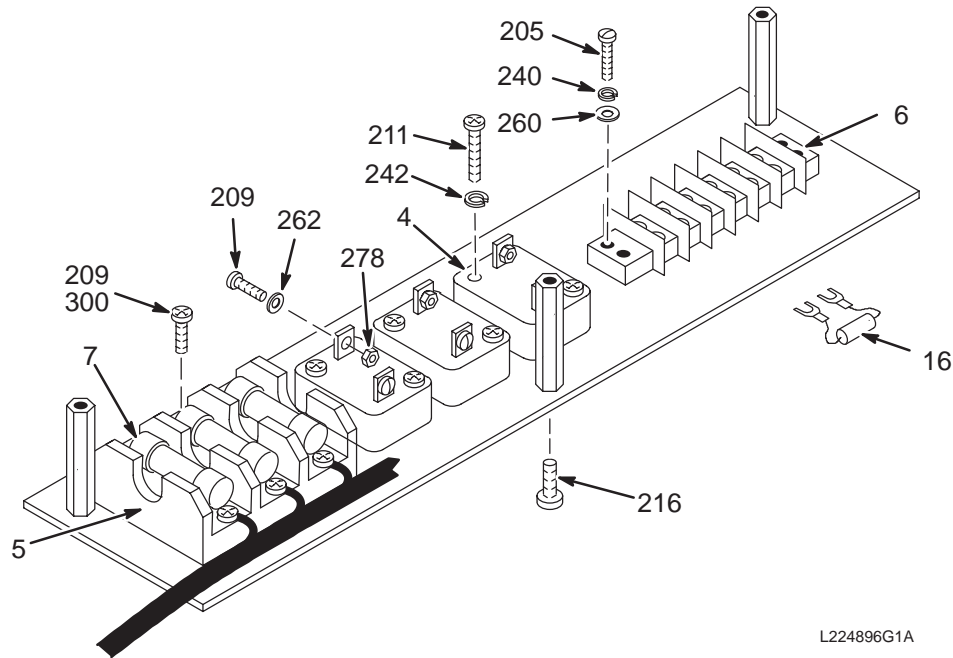
PDU ASM 46-282368G3 FRU N (PART OF CATALOG M1001HA SECTION 1)

Item	Part Number	FRU	Name	Quantity	Description (Remarks)
248	46-208599P5	2	WASHER,LOCK	40	SCREW SIZE 1/4 EXTERNAL TOOTH
249	46-208599P7	2	WASHER,LOCK	7	SCREW SIZE 3/8 EXTERNAL TOOTH
260	1000904P39	2	WASHER,FLAT	20	ID 0.173 OD 0.375 THK .0299
262	12-276	2	WASHER	22	ID 0.2040 OD 0.5630 THK .0478
264	1000904P171	2	WASHER,FLAT	34	ID 0.2660 OD 0.5000 THK .0320
265	512A720P12	2	WASHER	12	ID .268 OD .687 THK .187
266	12-260	2	WASHER	6	ID 0.375 OD 0.875 THK .051
269	46-220205P5	2	WASHER WROT	4	ID 0.5625 OD 1.375 THK 0.1094
276	46-170012P35	2	NUT,LOCK	8	0006-32 HEX 1/4 NUT THK 3/32
278	46-170012P39	2	NUT,LOCK	16	10-32 HEX 3/8 NUT THK 1/8
279	46-170012P40	2	NUT,LOCK	7	1/4-20 HEX 7/16 NUT THK 3/16
282	46-208935P7	2	NUT,HEX,MS	38	00010-32 .375 HEX X .125 THK BR
283	46-208935P8	2	NUT,HEX,MS	77	1/4-20 .438 X .188 THK BR
284	46-208945P1	2	NUT,HEX	12	003/8-16 .563 HEX X .328 THK BRASS
285	46-208947P4	2	NUT,HEX,JAM	1	001/2-20 .750 HEX X .313 THK
286	46-271110P1	2	LABEL	3	PROTECTIVE EARTH (GROUND)
287	46-271110P4	2	LABEL	1	NEUTRAL IEC STABDARD GRAPHIC SYMBOL
300	46-170686P1	2	SEALANT	AR	LOCTITE 242 0.5CC
301	46-255667G1	2	JUMPER PLUG	1	PD1 EMERGENCY STOP JUMPER

MOV PLATE ASSEMBLY

46-224896G1

PD1 A6 A4



L224896G1A

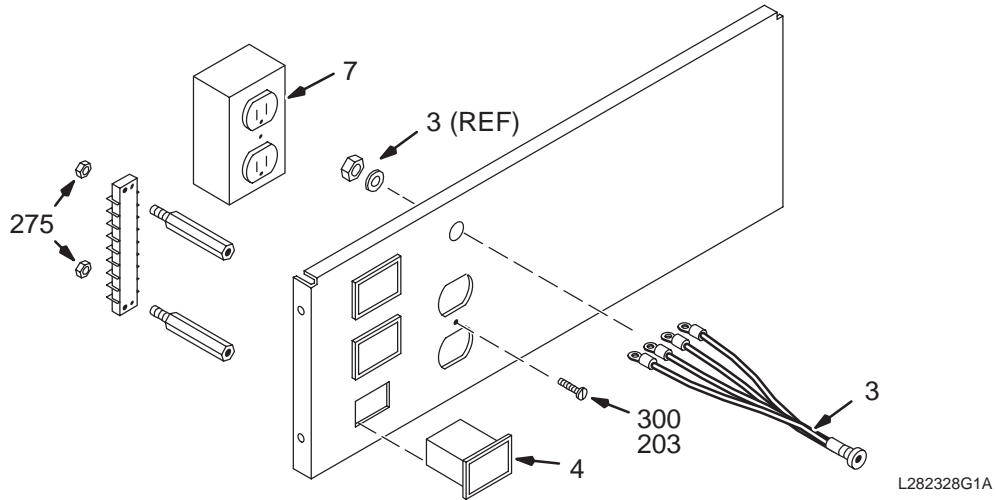
MOV PLATE ASSEMBLY 46-224896G1 FRU N (PART OF 46-282368G3 PAGE 6-20)

Item	Part Number	FRU	Name	Quantity	Description (Remarks)
4	46-170026P14	2	VARISTOR	3	575RMS V, 770 JOULES, 40,000 AMPS.
5	46-221896P1	2	FUSE BLOCK	1	3-POLE, HIGH SPEED FUSE BLOCK FOR
7	46-170021P79	2	FUSE	3	030.000A 0700V CARTRIDGE FAST UL
16	46-255727G1	2	MOV ASM	3	330K, 1W RESISTOR W/SPADE TERMINALS
209	46-220203P25	2	SCREW MACH	8	0010-32 X 0.500 LG RD HD PHILLIPS
240	46-220181P3	2	WASHER,LOCK	4	SCREW SIZE 06 (0.138) STL ZN PLT
242	46-220181P5	2	WASHER,LOCK	6	SCREW SIZE 10 (0.190) STL ZN PLT
260	1000904P39	2	WASHER,FLAT	4	ID 0.173 OD 0.375 THK .0299
262	12-276	2	WASHER	6	ID 0.2040 OD 0.5630 THK .0478
278	46-170012P39	2	NUT,LOCK	6	10-32 HEX 3/8 NUT THK 1/8
300	46-170686P1	2	SEALANT	AR	LOCTITE 242 0.5CC

INDICATOR PANEL

46-282328G1

PD1 A5



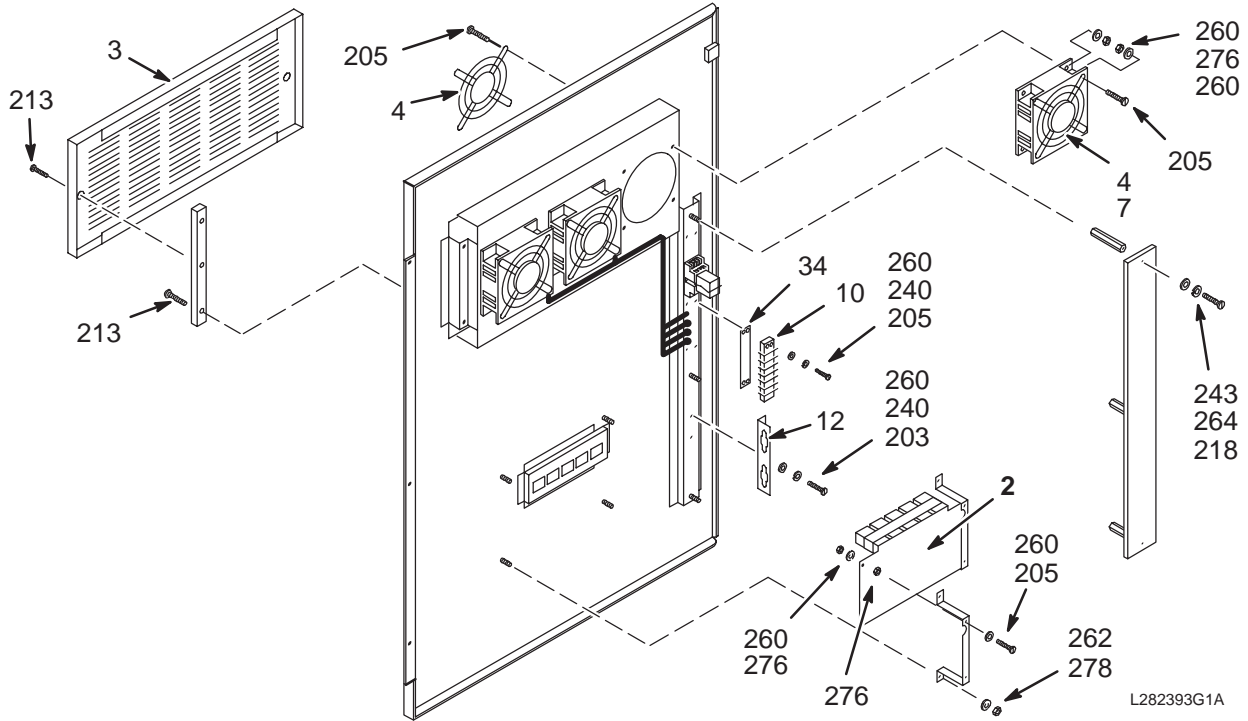
INDICATOR PANEL 46-282328G1 FRU N (PART OF 46-282368G3 PAGE 6-20)

Item	Part Number	FRU	Name	Quantity	Description (Remarks)
3	46-251774G1	2	INDICATE ASM	1	OVERTEMP INDICATOR, PD1 A5 A2
4	46-221733P3	2	INDICATOR	3	NEON DISPLAY INDICATOR W/ GRN BUTTON
7	46-287941P1	2	RECEPTACLE	1	20 AMP, 125V, DUPLEX RECEPTACLE,
275	46-170012P34	2	NUT,LOCK	2	4-40 HEX 1/4 NUT THK 3/32
300	46-170686P1	2	SEALANT	AR	LOCTITE 242 0.5CC
6687	46-136323P33	2	TUB,SHRINK	AR	BLACK EXPANDED ID .250
75757	1000904P2	2	WASHER,FLAT	2	ID 0.144 OD 0.297 THK .032 BRASS

LARGE DOOR ASSEMBLY

46-282393G1

PD1 A1



L282393G1A

LARGE DOOR ASSEMBLY 46-282393G1 FRU N (PART OF 46-282368G3 PAGE 6-20)

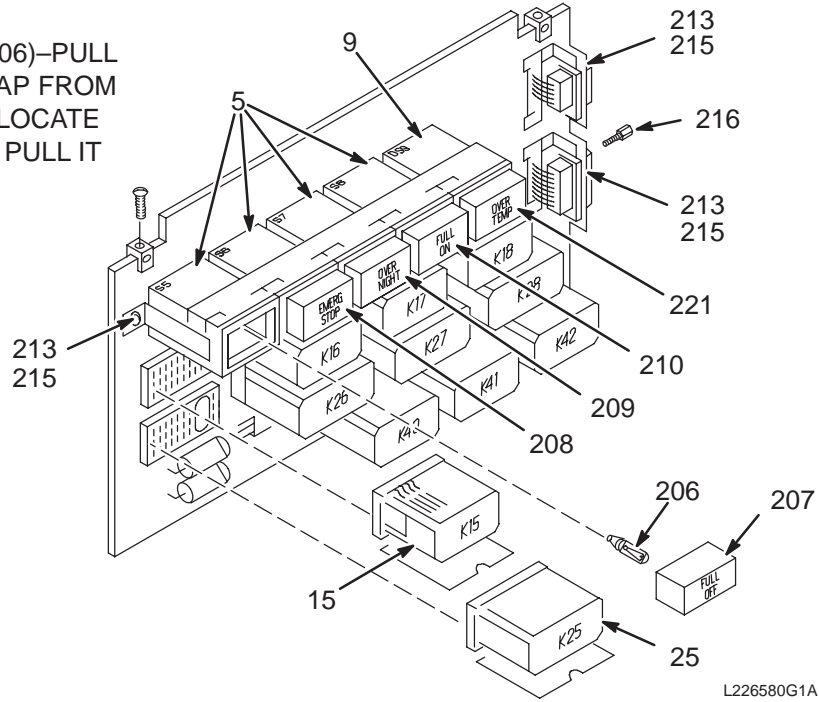
Item	Part Number	FRU	Name	Quantity	Description (Remarks)
2	46-226580G1	2	CIRCUIT BD	1	PDU CONTROL CIRCUIT BOARD, PD1 A1 A2 (SEE PAGE 6-25)
3	46-243464P20	2	2BAY CABINET	1	AMCO S15535-11-2 FLAT GRILL W/SCREWS
4	46-403307P1	2	FAN GUARD	6	FINGER GUARD FOR 4-1/2" FAN.
7	46-208986P1	1	FAN	3	4.71" X 4.71" X 1.5" AC FAN,
10	46-221880P4	2	TERM. STRIP	1	04 TERMINALS 50 AMP 1700 VOLTS
34	46-317705P1	2	MARKER-STRIP	1	04 POSITION, 1-4 ON THE BOTTOM,
213	46-208560P70	2	SCREW,MACH	6	010-32 X 1.000 SST 18-8 F65D6B1
240	46-220181P3	2	WASHER,LOCK	6	SCREW SIZE 06 (0.138) STL ZN PLT
243	46-220181P6	2	WASHER,LOCK	3	SCREW SIZE 1/4 (0.250) STL NI PLT
260	1000904P39	2	WASHER,FLAT	38	ID 0.173 OD 0.375 THK .0299
262	12-276	2	WASHER	4	ID 0.2040 OD 0.5630 THK .0478
264	1000904P171	2	WASHER,FLAT	3	ID 0.2660 OD 0.5000 THK .0320
276	46-170012P35	2	NUT,LOCK	32	0006-32 HEX 1/4 NUT THK 3/32
278	46-170012P39	2	NUT,LOCK	4	10-32 HEX 3/8 NUT THK 1/8
300	46-170686P1	2	SEALANT	AR	LOCTITE 242 0.5CC

PDU CIRCUIT BOARD

46-226580G1

PD1 A1 A2

NOTE:
TO REMOVE LAMP (ITEM 206)–PULL OFF COLORED PLASTIC CAP FROM HOUSING (ITEMS 5 OR 9), LOCATE TAB INSIDE HOUSING AND PULL IT OUT TO EXTRACT LAMP.



PDU CIRCUIT BOARD

46-226580G1

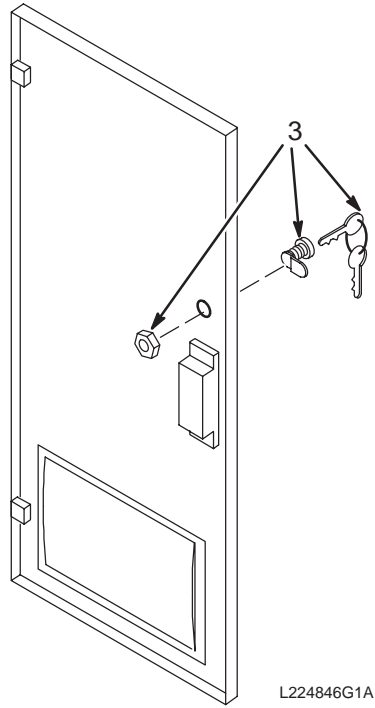
FRU 2

(PART OF 46-282393G1 PAGE 6-24)

Item	Part Number	FRU	Name	Quantity	Description (Remarks)
5	46-221732P1	1	SWITCH	4	2P2T MOM.ACTION 250VAC 02A
9	46-221733P1	2	INDICATOR	1	RECTANGULAR, ONE LAMP, PWB MT HSG ONLY
15	46-221730P1	2	RELAY	7	024VDC 6P2T 028VDC 02AMP UL/CSA
205	46-221830P2		SOCKET, RELAY	4	FOR R15 P&B 27E259 PWB MOUNT
206	46-170045P11	2	LAMP	5	28V.04A WEDGE BASE T 1 3/4 TYPE
207	46-251919P1	2	BUTTON	1	RECTANGULAR, AMBER BUTTON
208	46-251919P2	2	BUTTON	1	RECTANGULAR, RED BUTTON
209	46-251919P3	2	BUTTON	1	RECTANGULAR, GREEN BUTTON
210	46-251919P4	2	BUTTON	1	RECTANGULAR, GREEN BUTTON
211	46-221782P1		SWITCH MOUNT	1	05 RECT. CANS PWB BLACK
212	46-170212P1	2	COMPOUND	AR	THERMAL JOINT COMPOUND.
213	516A770P406	2	SCREW, MACH	7	004-40 X 0.375 LG BIND HD SST 18-8
215	46-170012P34	2	NUT, LOCK	7	4-40 HEX 1/4 NUT THK 3/32
216	46-221417P2	2	SCREWLOCK	4	FEMALE SCREWLOCK FOR HD CONNECTORS.
221	46-251919P5	2	BUTTON	1	RECTANGULAR, WHITE, "OVER TEMP"
222	46-170054P8		CLAMP	7	SOCKET P&B 20C251
223	46-170054P9		CLAMP	4	SOCKET P&B 20C266
224	46-221892P1		BLOCK KIT	1	AMP 531250-1

SMALL DOOR ASSEMBLY

46-224846G1



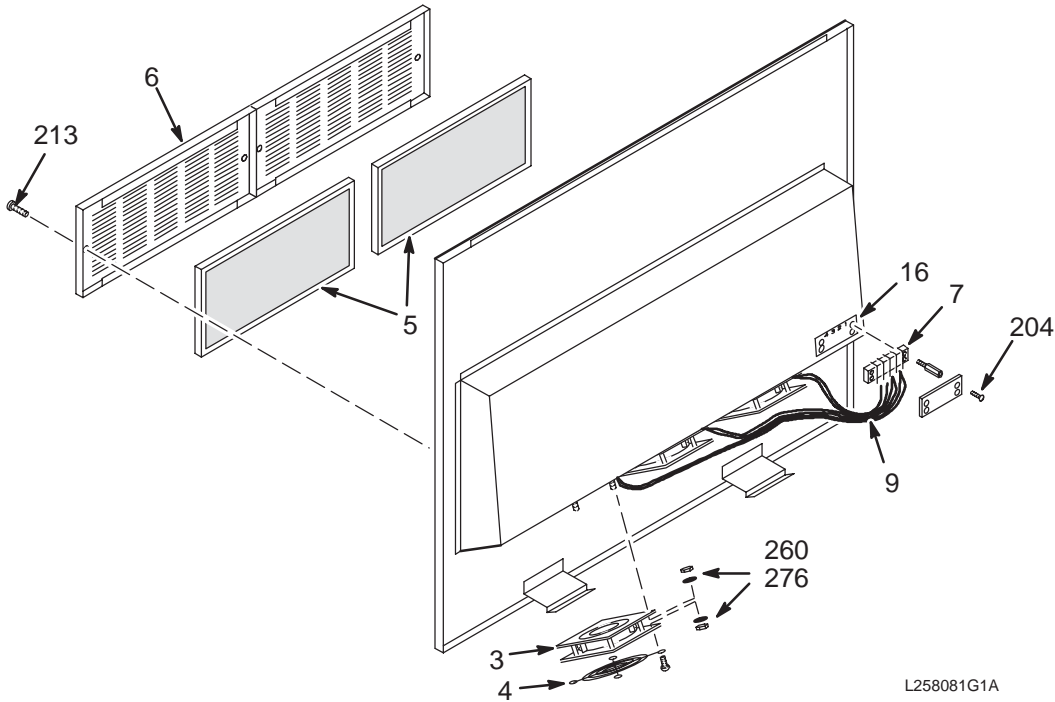
SMALL DOOR ASM 46-224846G1 FRU N (PART OF 46-282368G3 PAGE 6-20)

Item	Part Number	FRU	Name	Quantity	Description (Remarks)
3	46-114161P1	2	LOCK	1	DISC-TUMBLER CAM LOCK W/2 #17 KEYS

LOWER PANEL ASSEMBLY

46-258081G1

PD1 A7



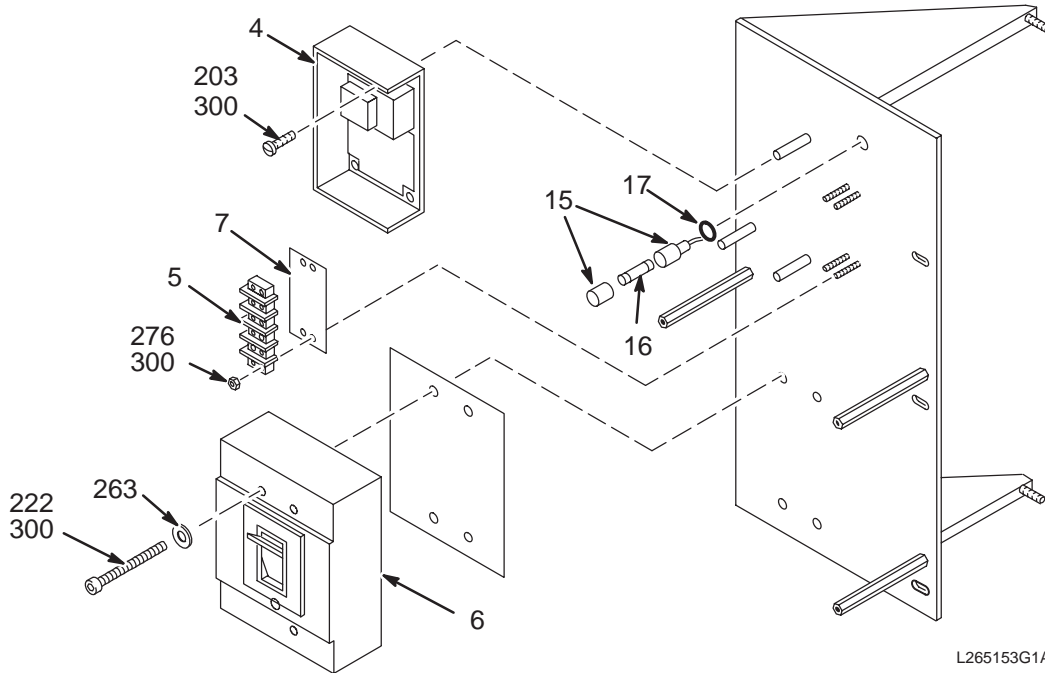
LOWER PANEL ASM 46-258081G1 FRU N (PART OF 46-282368G3 PAGE 6-20)

Item	Part Number	FRU	Name	Quantity	Description (Remarks)
3	46-208986P1	1	FAN	3	4.71" X 4.71" X 1.5" AC FAN,
4	46-403307P1	2	FAN GUARD	3	FINGER GUARD FOR 4-1/2" FAN.
5	46-221883P1	2	FILTER,AIR	2	ALUMINUM MESH,RECTANGULAR
6	46-243464P20	2	2BAY CABINET	2	AMCO S15535-11-2 FLAT GRILL W/SCREWS
7	46-221880P4	2	TERM. STRIP	1	04 TERMINALS 50 AMP 1700 VOLTS
16	46-317705P1	2	MARKER-STRIP	1	04 POSITION, 1-4 ON THE BOTTOM,
213	46-208560P70	2	SCREW,MACH	4	010-32 X 1.000 SST 18-8 F65D6B1
260	1000904P39	2	WASHER,FLAT	24	ID 0.173 OD 0.375 THK .0299
276	46-170012P35	2	NUT,LOCK	24	0006-32 HEX 1/4 NUT THK 3/32

BREAKER PLATE ASSEMBLY

46-265153G1/G2

PD1 A4



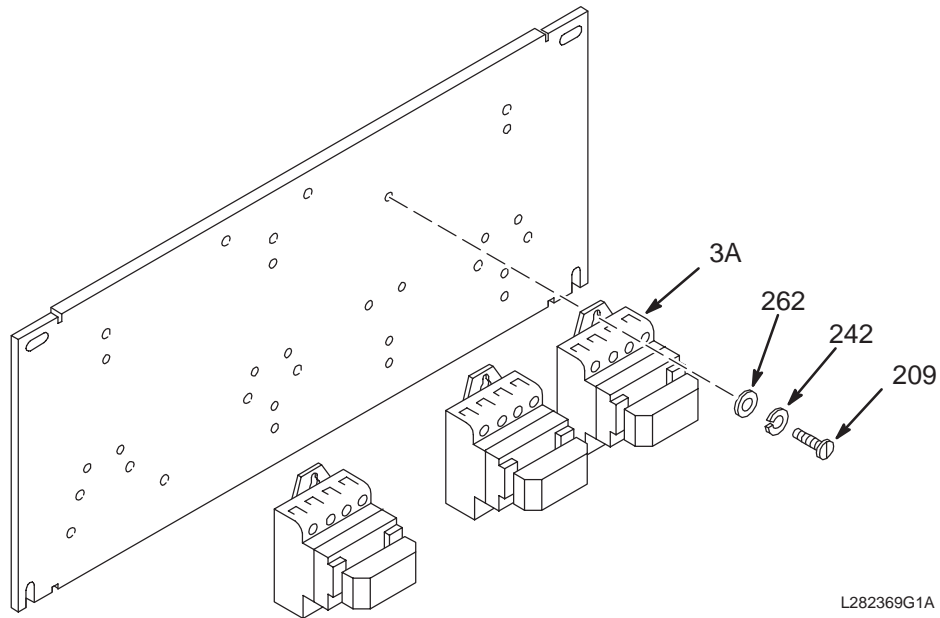
BREAKER PLATE ASM 46-265153G1 FRU N (PART OF 46-282368G3 PAGE 6-20)

Item	Part Number	FRU	Name	Quantity	Description (Remarks)
4	46-199288P9	1	PWR SUPPLY	1	24VDC 3.8A
5	46-221880P4	2	TERM. STRIP	1	04 TERMINALS 50 AMP 1700 VOLTS
6	46-221947P1	2	CKT BREAKER	1	400.000 AMP 3 POLE FIG N UL/
7	46-317705P1	2	MARKER-STRIP	1	04 POSITION, 1-4 ON THE BOTTOM,
15	46-251561G1	2	HARNESS	1	3AG FUSE HOLDER ASSEMBLY
16	46-170021P29	2	FUSE	1	5.0A, 250V SLO-BLO FUSE.
207	46-208560P27	2	SCREW,MACH	4	006-32 X 0.500 LG BIND HD STL F70B5A
222	46-170498P43	2	SCREW,	4	001/4-20 X 2.000 LG HEX SOC HD STL
260	1000904P39	2	WASHER,FLAT	4	ID 0.173 OD 0.375 THK .0299
276	46-170012P35	2	NUT,LOCK	4	0006-32 HEX 1/4 NUT THK 3/32
300	46-170686P1	2	SEALANT	AR	LOCTITE 242 0.5CC

CONTACTOR PANEL ASSEMBLY

46-282369G1

PD1 A3 A1



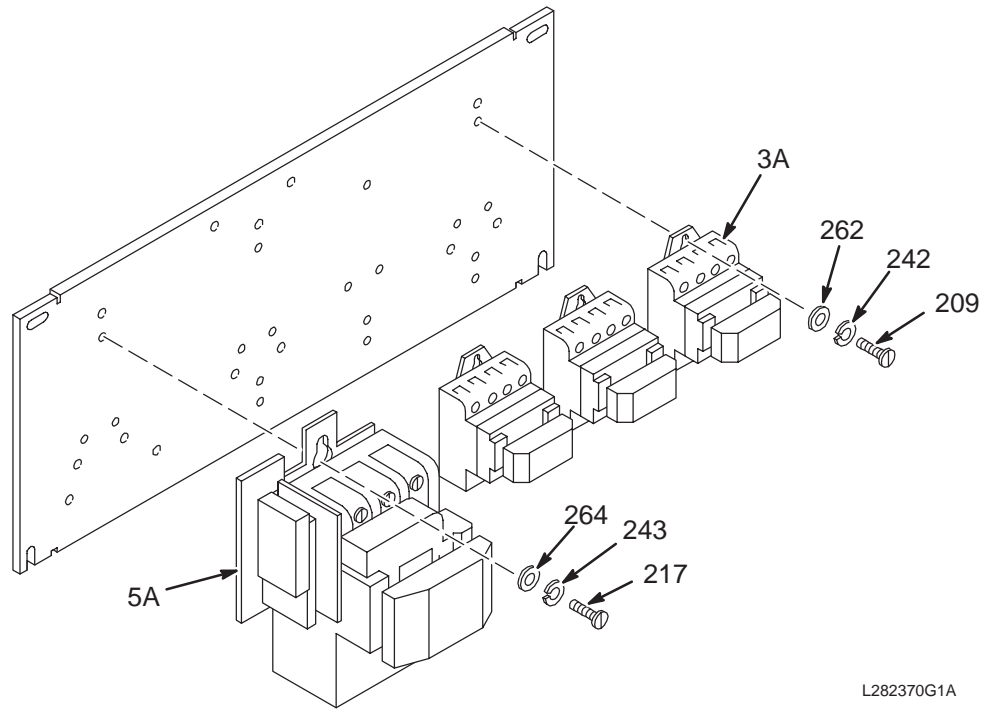
CONTACTOR PLATE ASM 46-282369G1 FRU N (PART OF 46-282368G3 PAGE 6-20)

Item	Part Number	FRU	Name	Quantity	Description (Remarks)
3A	46-221898P6	2	CONTACTOR	SEL	120VAC 60HZ 27A 600V NEMA SIZE 1
209	46-220203P25	2	SCREW MACH	9	0010-32 X 0.500 LG RD HD PHILLIPS
242	46-220181P5	2	WASHER,LOCK	9	SCREW SIZE 10 (0.190) STL ZN PLT
262	12-276	2	WASHER	9	ID 0.2040 OD 0.5630 THK .0478

CONTACTOR PANEL ASSEMBLY

46-282370G1

PD1 A3 A2



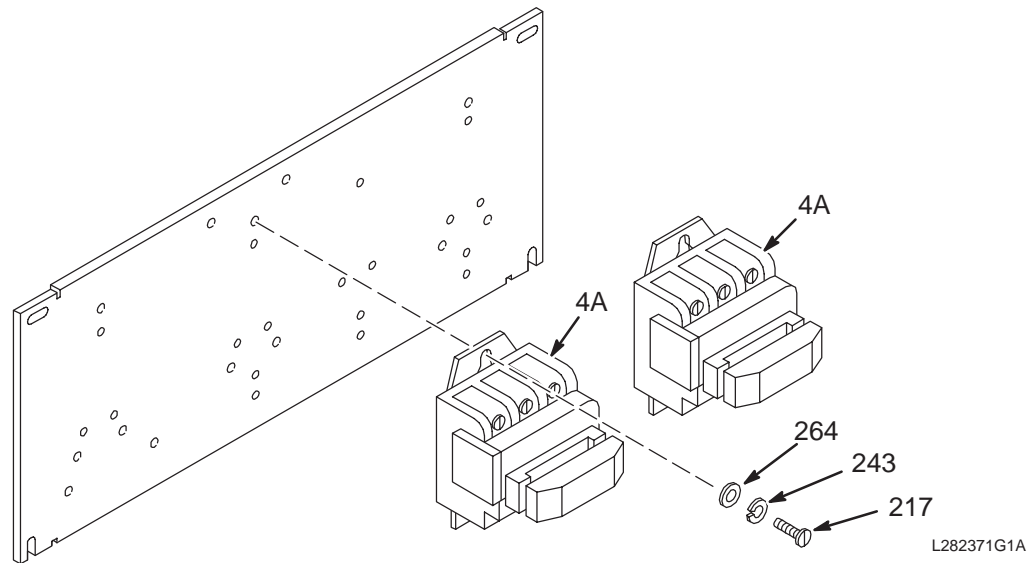
CONTACTOR PLATE ASM 46-282370G1 FRU N (PART OF 46-282368G3 PAGE 6-20)

Item	Part Number	FRU	Name	Quantity	Description (Remarks)
3A	46-221898P6	2	CONTACTOR	SEL	120VAC 60HZ 27A 600V NEMA SIZE 1
5A	46-221898P1	2	CONTACTOR	SEL	120VAC 60HZ 90A 600V NEMA SIZE 3
209	46-220203P25	2	SCREW MACH	6	0010-32 X 0.500 LG RD HD PHILLIPS
217	46-220203P30	2	SCREW MACH	3	001/4-20 X 0.500 LG RD HD PHILLIPS
242	46-220181P5	2	WASHER,LOCK	6	SCREW SIZE 10 (0.190) STL ZN PLT
243	46-220181P6	2	WASHER,LOCK	3	SCREW SIZE 1/4 (0.250) STL NI PLT
262	12-276	2	WASHER	6	ID 0.2040 OD 0.5630 THK .0478
264	1000904P171	2	WASHER,FLAT	3	ID 0.2660 OD 0.5000 THK .0320

CONTACTOR PANEL ASSEMBLY

46-282371G1

PD1 A3 A3

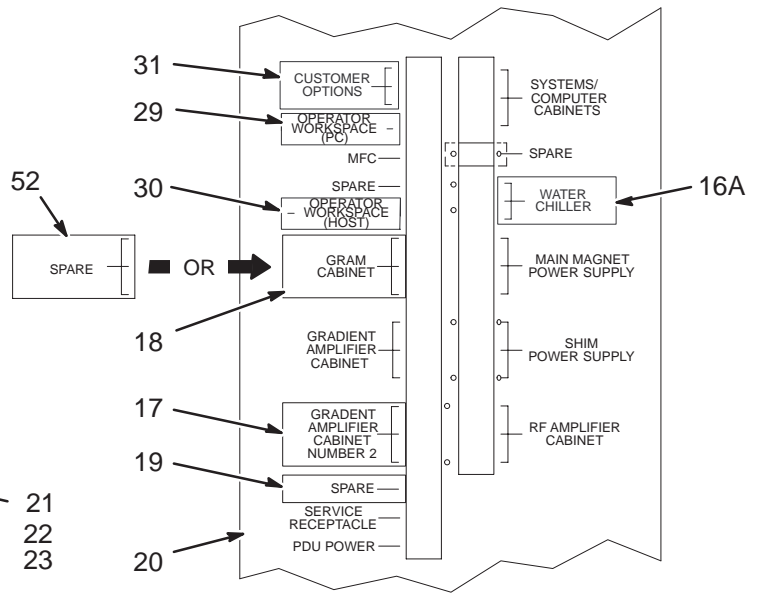
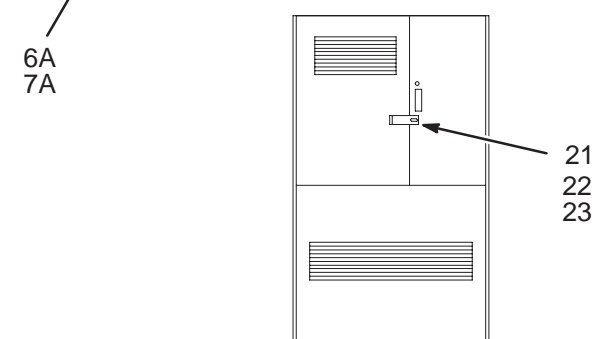
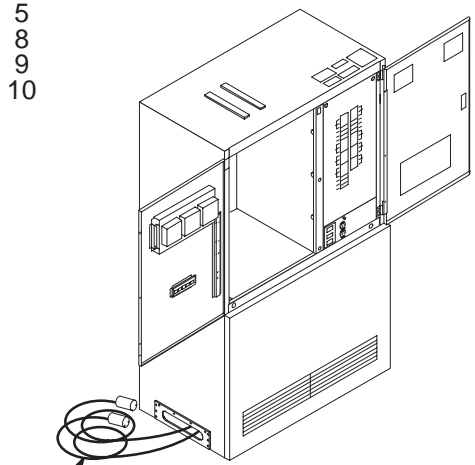
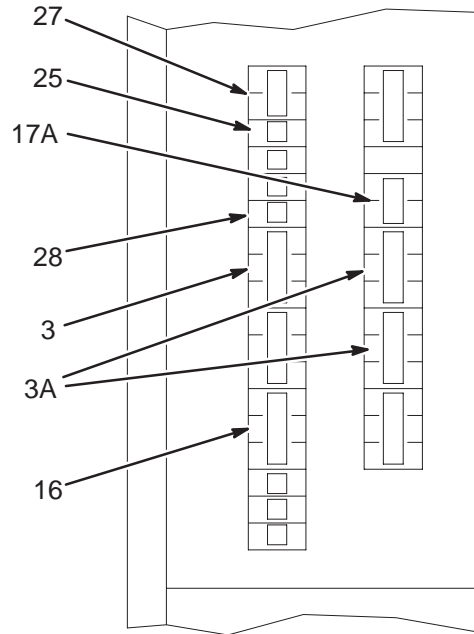
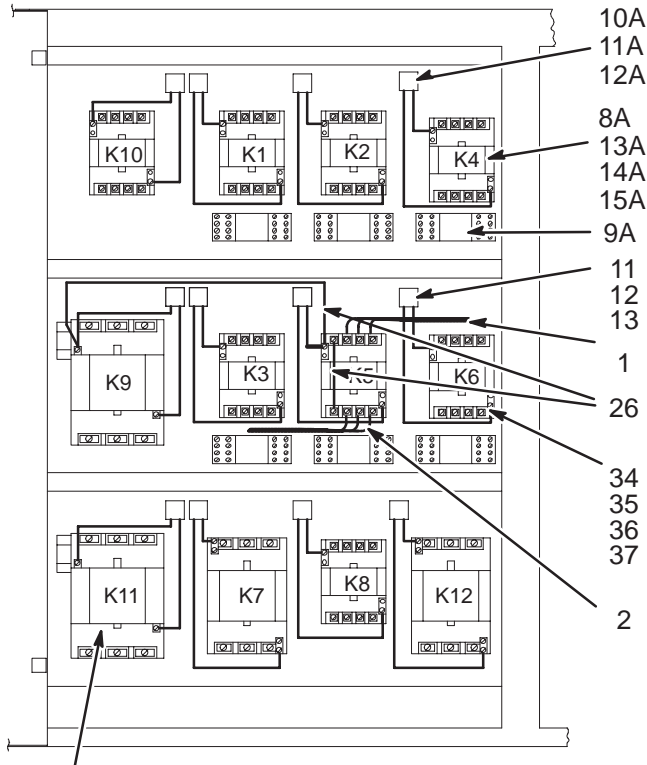


CONTACTOR PLATE ASM 46-282371G1 FRU N (PART OF 46-282368G3 PAGE 6-20)

Item	Part Number	FRU	Name	Quantity	Description (Remarks)
4A	46-221898P2	2	CONTACTOR	SEL	120VAC 60HZ 45A 600V NEMA SIZE 2
4B	46-265124P2	2	CONTACTOR	SEL	120VAC 50/60HZ 45A 600V NEMA SIZE 2
209	46-220203P25	2	SCREW MACH	6	0010-32 X 0.500 LG RD HD PHILLIPS
217	46-220203P30	2	SCREW MACH	6	001/4-20 X 0.500 LG RD HD PHILLIPS
242	46-220181P5	2	WASHER,LOCK	6	SCREW SIZE 10 (0.190) STL ZN PLT
243	46-220181P6	2	WASHER,LOCK	6	SCREW SIZE 1/4 (0.250) STL NI PLT
262	12-276	2	WASHER	6	ID 0.2040 OD 0.5630 THK .0478
264	1000904P171	2	WASHER,FLAT	6	ID 0.2660 OD 0.5000 THK .0320

FULL-SIZE UPGRADE TO LX WideOpen

46-306985G4 & 2246052



FULL-SIZE UPGRADE TO LX 46-306985G4 FRU N (PART OF M1090NT OR M1090NY)

Item	Part Number	FRU	Name	Quantity	Description (Remarks)
1	46-306942G1	2	HARNESS	1	3 #8AWG WIRES PDU FEEDER-2 K5 TO CB5
2	46-306943G1	2	HARNESS	1	3 #8AWG WIRES, K5 TO TS1-22, 24, 24
3	46-221905P33	2	CIRCUIT BREA	1	30 AMP 3 POLE 120/240V GE #THQL32030
5	46-221898P1	2	CONTACTOR	1	120V, 60HZ, 90A, 600V, GE CR305E002
8	46-220203P30	2	SCREW	3	SCREW
9	46-220181P6	2	WASHER	3	1/4" SCREW SIZE (0.250), STL NI PLT
10	1000904P171	2	WASHER	3	ID 0.266, OD 0.5, THK .032, F70B5A
11	46-265520G1	2	AC COIL FILT	2	AC COIL FILTER, "SNUBBER"
12	46-208758P2	2	TY-RAP	2	5.5" X .140" SELF-LOCKING CABLE TIE.
13	46-208747P2	2	VIBRATION IS	2	CABLE TIE, ADHESIVE BACKED
14	511A590P218	2	TERMINAL	4	RING TONGUE TERMINAL FOR #8 AWG,
15	511A590P53	2	TERMINAL	1	3/8" RING, NON-INSULATED, #7-#9 AWG
16	46-221905P38	2	CIRCUIT BREA	1	60 AMP, 3 POLE, 120/240VAC
17	46-301192P13	2	PDU LABEL	1	GRADIENT AMPLIFIER CABINET NUMBER 2
18	46-301192P14	2	PDU LABEL	1	PDU LABEL FOR "GRAM CABINET"
19	46-301192P15	2	PDU LABEL	1	PDU LABEL "SPARE"
20	46-307580P1	2	PANEL COVER	1	CIRCUIT BREAKER TITLE PANEL COVER
21	2133080	2	HASP	1	HASP WITH STAPLE PLATE
22	46-208908P33	2	SCREW	7	SCREW
23	46-170012P37	2	NUT	7	8-32, HEX 11/32, NUT THK 1/8, KEPS
24	46-301192P16	2	PDU LABEL	1	PDU LABEL FOR "HEAT EXCHANGER"
25	46-221905P2	2	CIRCUIT BREA	2	15 AMP 1-POLE 120/240VAC GE THQL1115
26	46-317005G1	2	LEAD DATA	1	TWO WIRE K5-2 TO JK5-3; K5-1 TO K9-1
27	46-221905P21	2	CIRCUIT BREA	1	015.000 AMP 2 POLE
28	46-221905P3	2	CIRCUIT BREA	1	020.000 AMP 1 POLE FIG K UL/
29	46-301192P17	2	LABEL	1	LABEL "OPERATOR WORKSPACE"
30	46-301192P18	2	LABEL	1	LABEL "WORKSTATION"
31	46-301192P19	2	LABEL	1	LABEL "CUSTOMER OPTIONS"
34	46-221898P6	2	CONTACTOR	1	120VAC 60HZ 27A 600V NEMA SIZE 1
35	46-220203P25	2	SCREW	3	SCREW
36	12-276	2	WASHER	3	ID 0.2040 OD 0.5630 THK .0478
52	46-301192P4	2	LABEL	1	LABEL "SPARE"

FULL-SIZE UPGRADE TO WideOpen 2246052 FRU N (PART OF M1191SN)

Item	Part Number	FRU	Name	Quantity	Description (Remarks)
6A	46-271364G11	2	ASSEMBLY	1	(011) MG4/MS3 TO PD1-A2
7A	46-271364G12	2	CABLE ASM	1	(020) MS2/MS6/MS7/MG5 TO PD1/A2
8A	46-221898P6	2	CONTACTOR	1	120VAC 60HZ 27A 600V NEMA SIZE 1
9A	46-136370P24	2	RELAY	1	024VDC 4P2T 028VDC 03AMP
3A	46-320337P1	2	CKT BREAKER	2	ON-LINE 9100-118-06, 30A CKT BREAKER
10A	46-265520G1	2	AC COIL FILT	1	AC COIL FILTER, "SNUBBER"
11A	46-208747P2	2	VIBRATION IS	4	CABLE TIE, ADHESIVE BACKED
12A	46-208758P2	2	TY-RAP	4	5.5" X .140" SELF-LOCKING CABLE TIE.
13A	1000904P171	2	WASHER	3	ID 0.266, OD 0.5, THK .032, F70B5A
14A	46-220181P6	2	WASHER	3	1/4" SCREW SIZE (0.250), STL NI PLT
15A	46-220203P30	2	SCREW	3	SCREW
16A	46-301192P20	2	LABEL	1	LABEL OTHER - WATER CHILLER
17A	46-221905P21	1	CIRCUIT BREA	1	015.000 AMP 2 POLE