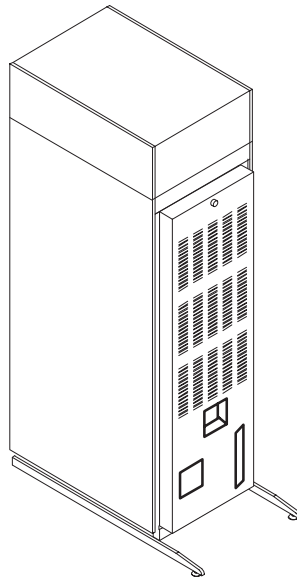


SECTION 15 – ACGD/PDU CABINET

TABLE OF CONTENTS

SECTION

PAGE

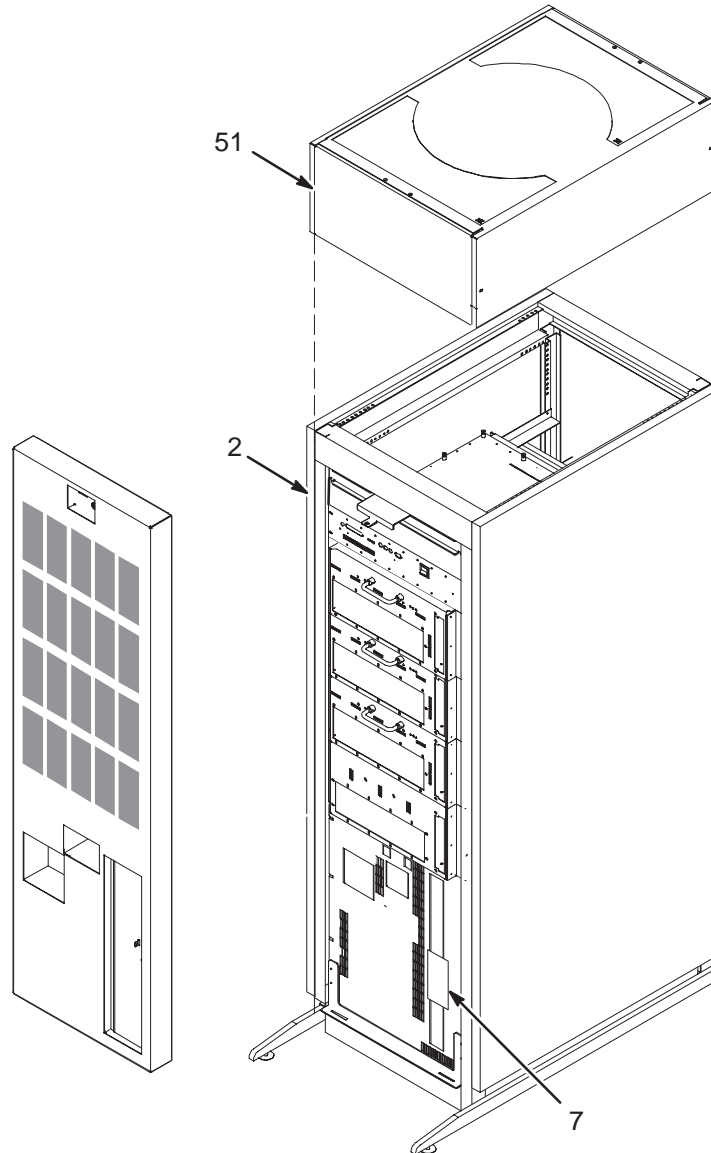


15-1 ACGD/PDU CABINET	15-2
Contains information on ACGD/PDU Cabinet	
ACGD/PDU CABINET	2284300 15-2
ACGD/PDU CABINET	2238915 15-4

15-1 ACGD/PDU CABINET

ACGD/PDU CABINET ASM

2284300



ACGD/PDU CABINET ASM

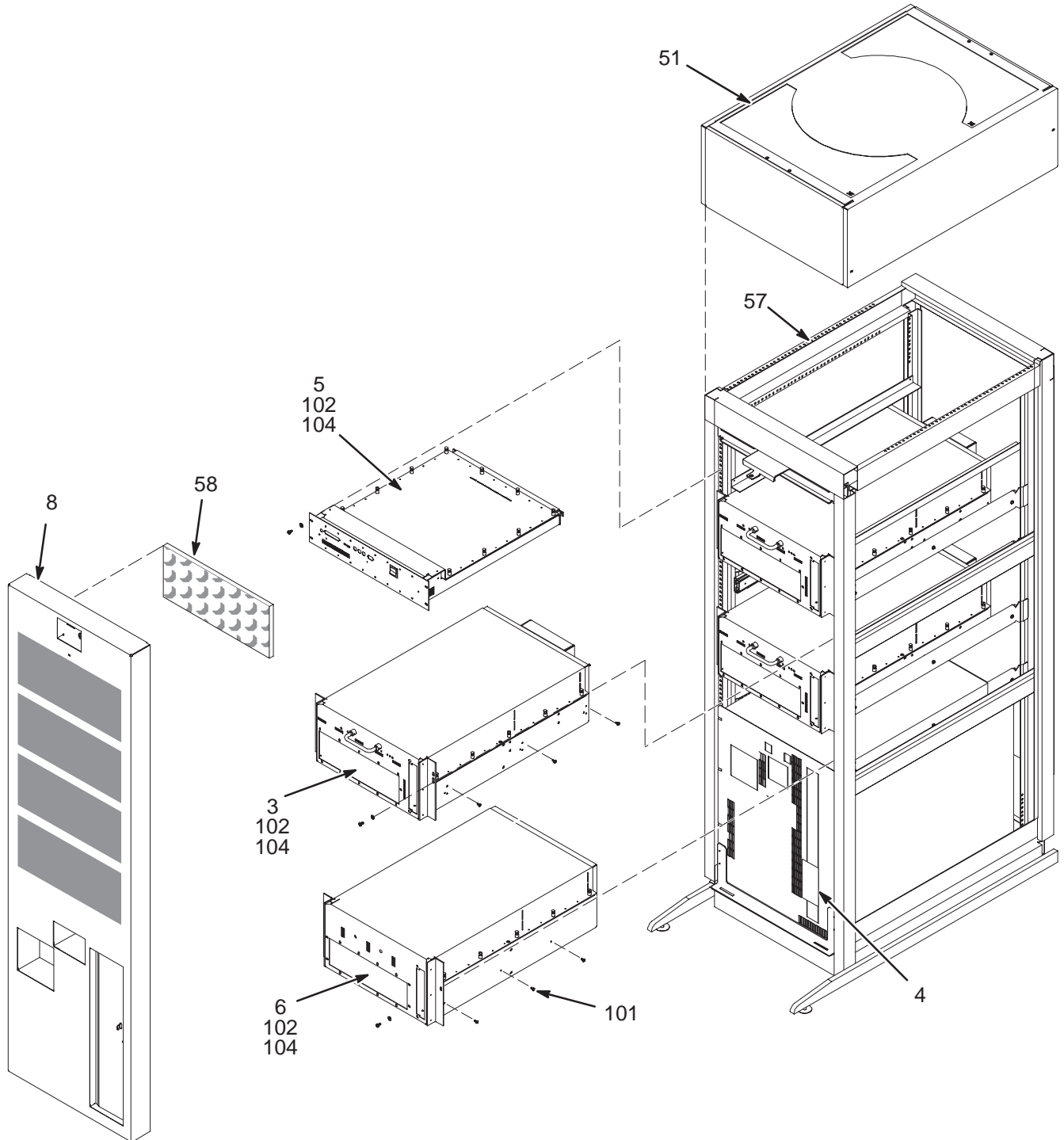
2284300 FRU N

(PART OF 2355992 PAGE 1-90)

Item	Part Number	FRU	Name	Quantity	Description (Remarks)
2	2284299	N	ASSEMBLY	1	GEMSPRO ACGD CABINET ASM (SEE PAGE 15-4)
7	2315641	N	TAG	1	ACGD INSTALLATION TAG
51A	2299215	1	FAN ASM	1	ACGD CABINET FAN ASSEMBLY (SEE PAGE 15-8)
51B	2173642-2	N	FAN ASSEMBLY	ALT	FAN ASSEMBLY FOR ACGD CABINET

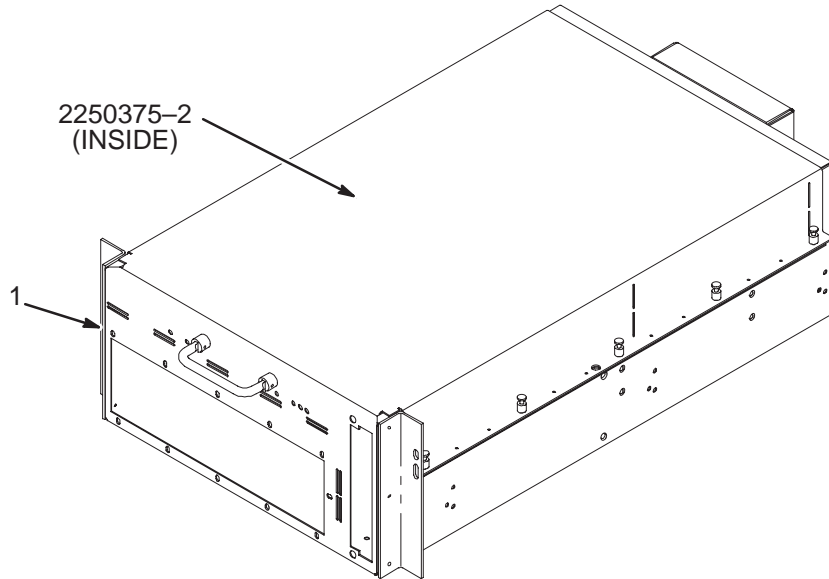
ACGD/PDU CABINET ASM

2238915 & 2284299



ACGD SGA MODULE

2270055-2



ACGD SGA MODULE

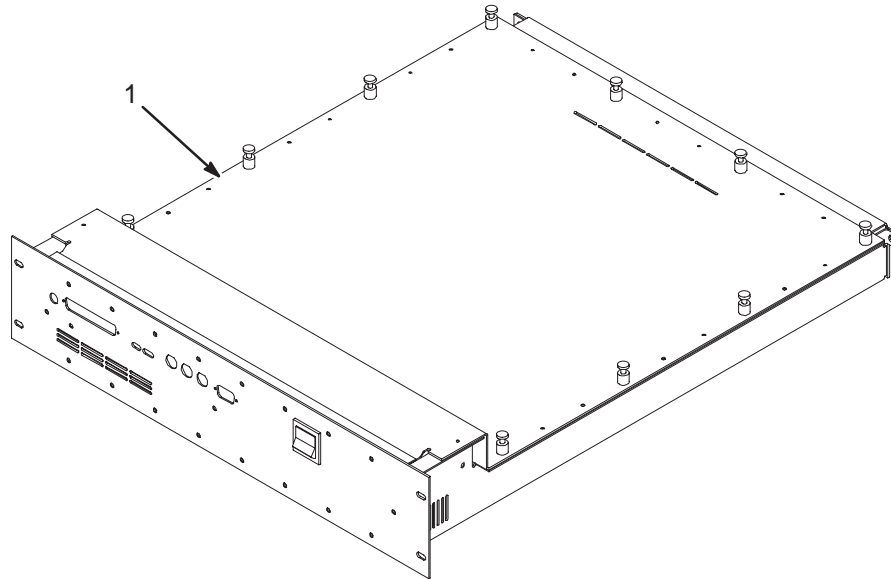
2270055-2 FRU 1

(PART 3 OF 2238915 PAGE 15-4)
(PART 3 OF 2284300 PAGE 15-4)

Item	Part Number	FRU	Name	Quantity	Description (Remarks)
1	2270055	2	PART	1	ACGD.SGA_ASSEMBLY
2	2190408-3	N	BOX	1	SHIPPING BOX FOR ACGD-SGA FRU
	2250375-2	1	BOARD	1	CONTROL BOARD ASSEMBLY SGA

GRADIENT PROCESSOR ASM MODULE (GP2)

2248992-4



GP2 MODULE

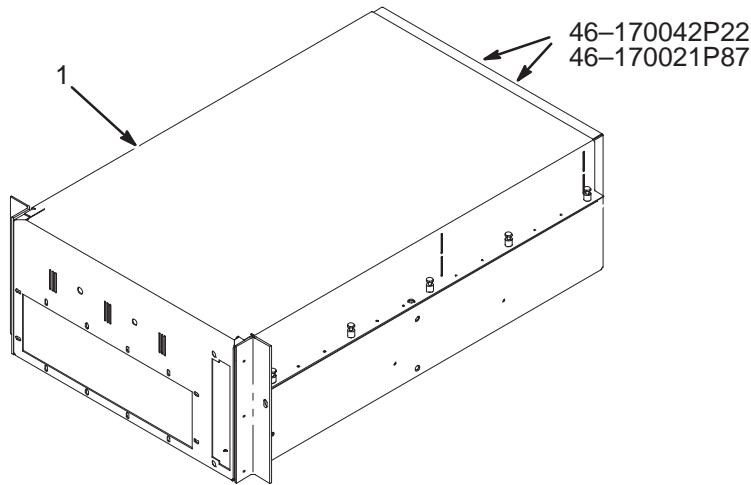
2248992-4 FRU 1

(PART 5 OF 2238915 PAGE 15-4)
(PART 5 OF 2284300 PAGE 15-4)

Item	Part Number	FRU	Name	Quantity	Description (Remarks)
1	2248992-3	N	PART	1	GP2 ASSEMBLY FOR ACGD
2	2260402	N	FOAM	1	CORRUGATED/FOAM PACKAGING
3	2260403	N	BOX	1	CORRUGATED CONTAINER

SGA POWER SUPPLY ASSEMBLY

2334862-2 & 2317092-2



SGA POWER SUPPLY ASM

2334862-2 FRU 1

(PART 6A OF 2238915 PAGE 15-4)
(PART 6A OF 2284300 PAGE 15-4)

Item	Part Number	FRU	Name	Quantity	Description (Remarks)
1	2334862	N	POWER SUPPLY	1	POWER SUPPLY ASSEMBLY SGA ACGD
2	2190408-4	N	BOX	1	SHIPPING BOX FOR ACGD-SGA PS FRU
	46-170021P87	1	FUSE	2	0.1000A 600V CARTRIDGE FAST UL/C
	46-170042P22	1	FUSE	2	30A, 600V PANEL-MOUNTED FUSE

SGA POWER SUPPLY ASM

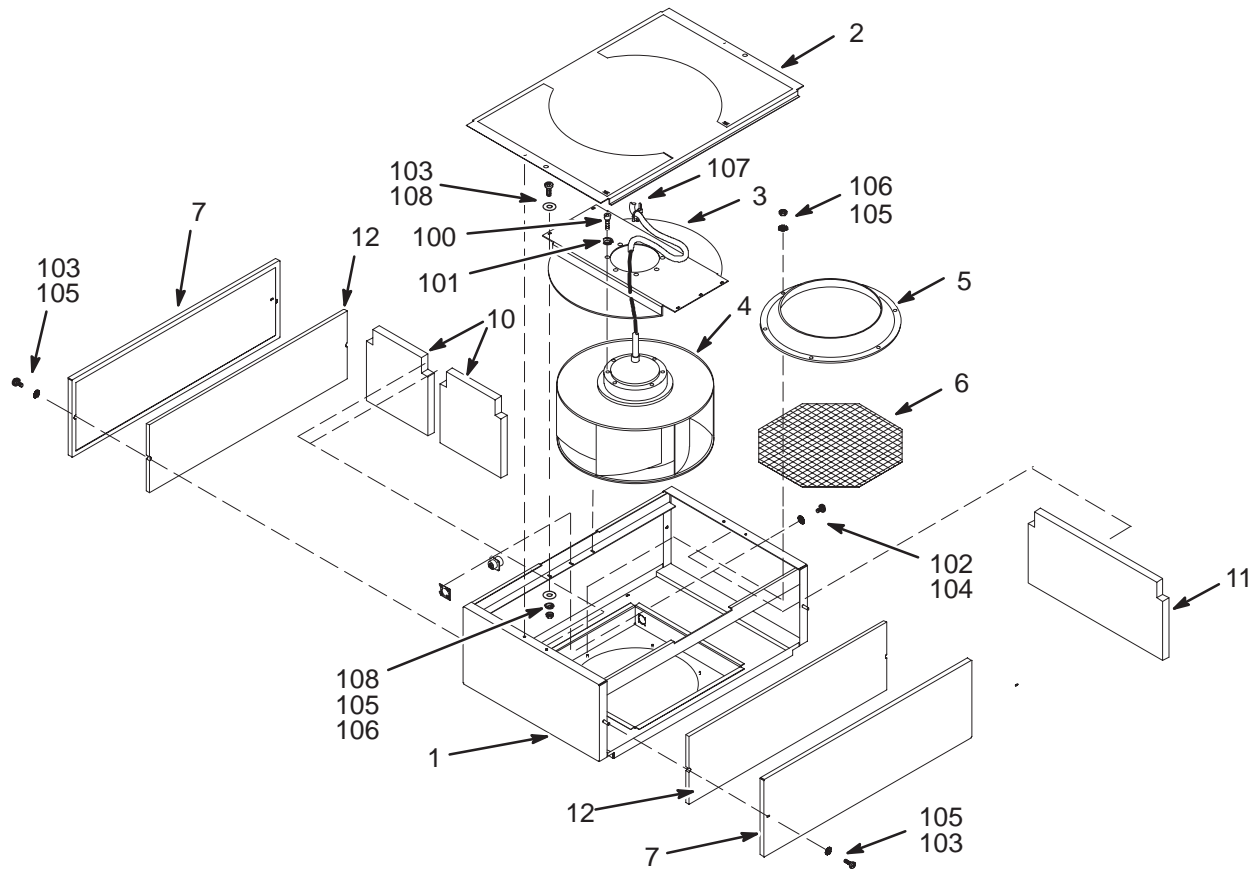
2317092-2 FRU 1

(PART 6B OF 2238915 PAGE 15-4)
(PART 6B OF 2284300 PAGE 15-4)

Item	Part Number	FRU	Name	Quantity	Description (Remarks)
1	2317092	N	POWER SUPPLY	1	SGA ACGD POWER SUPPLY ASSEMBLY
2	2190408-4	N	BOX	1	SHIPPING BOX FOR ACGD-SGA PS FRU
	46-170021P87	1	FUSE	2	0.1000A 600V CARTRIDGE FAST UL/C
	46-170042P22	1	FUSE	2	30A, 600V PANEL-MOUNTED FUSE

ACGD CABINET FAN ASSEMBLY

2299215



ACGD CABINET FAN ASSEMBLY

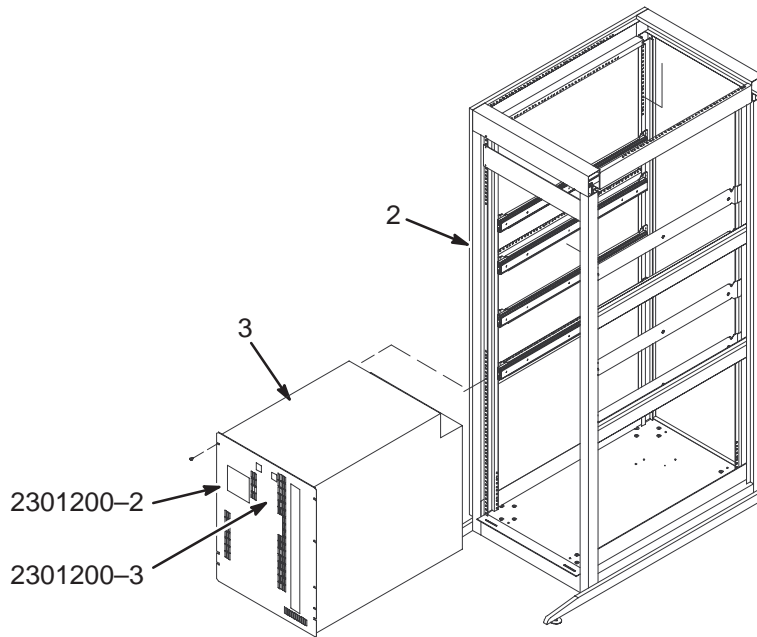
2299215 FRU 1

(PART 51 OF 2238915 PAGE 15-4)
 (PART 51 OF 2284300 PAGE 15-4)
 (PART OF M3000DB PAGE 1-60)
 (PART 1 OF 2381388 PAGE 1-90)

Item	Part Number	FRU	Name	Quantity	Description (Remarks)
1	2167400-2	N	CHASSIS	1	FAN CHASSIS ASSEMBLY—GE GRAY #4
2	2167402-2	N	COVER ASM	1	FAN TOP COVER ASSEMBLY—GE GRAY #4
3	2299212	N	BRACKET	1	ACGD FAN SUPPORT BRACKET
4	2299214	1	FAN, COOLING	1	ACGD CABINET FAN PURCHASE SPEC
5	2299213	N	RING, MTG	1	ACGD CABINET INLET RING FOR FAN
6	2179241	N	PART	1	SCREEN, FAN FINGER GUARD
7	2181133-2	N	COVER	2	SIDE COVER FOR FAN MODULE—GE GRAY#1
10	2181594	N	BARRIER	2	ACOUSTICAL FOAM BARRIER (FRONT)
11	2181594-2	N	BARRIER	1	ACOUSTICAL FOAM BARRIER (BACK)
12	2181595	N	BARRIER	2	ACOUSTICAL FOAM BARRIER (SIDES)
100	46-328417P21	N	SCREW	4	SCREW HEXAGON SOCKET 10 MM 16 MM
101	46-328432P4	N	WASHER	4	WASHER LOCK - SPRING 10.2 MM 18.1 MM
102	46-328421P6	N	SCREW	4	SCREW PAN HEAD 2.5 MM 10 MM
103	46-328421P16	N	SCREW	10	SCREW PAN HEAD 4 MM 16 MM
104	46-328433P1	N	WASHER	4	WASHER LOCK - EXTERNAL 2.7 MM 5.5 MM
105	46-328433P2	N	WASHER	16	WASHER LOCK - EXTERNAL 4.3 MM 8 MM
106	46-328425P1	N	NUT	12	NUT HEXAGON 4 MM
107	46-208758P2	N	TY-RAP	2	5.5" X .140" SELF-LOCKING CABLE TIE.
108	46-328430P2	N	WASHER	12	WASHER PLAIN - NORMAL 4.3MM 9MM

ACGD BASIC CABINET w/TEAL PDU

2309150



ACGD BASIC CABINET w/TEAL PDU

2309150 FRU 1

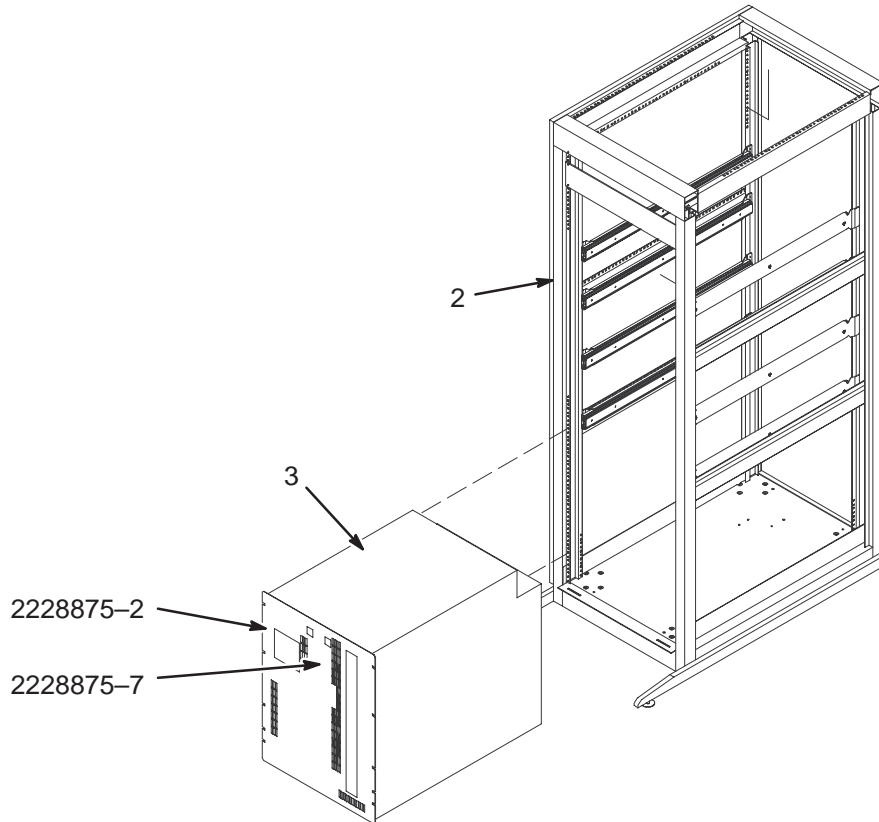
(PART 57 OF 2238915 PAGE 15-4)

(PART 57 OF 2284300 PAGE 15-4)

Item	Part Number	FRU	Name	Quantity	Description (Remarks)
2	2347720	N	CABINET ASM	1	ACGD CABINET ASM WITH RAILS
3	2301200	N	PDU	1	COST REDUCED ACGD PDU
14	2178851-6	N	CABLE	1	MR3PDU-GP TO MR3GP (208 VOLTS)
15	2178851-7	N	CABLE	1	MR3PDU-SGA-X TO MR3SGA-X-J6
16	2178851-8	N	CABLE	1	MR3PDU-SGA-Y TO MR3SGA-Y-J6
17	2178851-9	N	CABLE	1	MR3PDU-SGA-Z TO MR3SGA-Z-J6
19	2255765	N	PART	1	MR3SGAPS-J1 TO MR3SGA-X-J1
20	2255765-2	N	PART	1	MR3SGAPS-J4 TO MR3SGA-X-J4
21	2255765-3	N	PART	1	MR3SGAPS-J2 TO MR3SGA-Y-J1
22	2255765-4	N	PART	1	MR3SGAPS-J5 TO MR3SGA-Y-J4
23	2255765-5	N	PART	1	MR3SGAPS-J3 TO MR3SGA-Z-J1
24	2255765-6	N	PART	1	MR3SGAPS-J6 TO MR3SGA-Z-J4
26	46-328000G996	N	ASSEMBLY	1	MR3-GP-J8 TO MR3-SGA-Y-J5
27	46-328000G998	N	ASSEMBLY	1	MR3-SGAPS-J7 TO MR3-GP-J10
28	46-328000G997	N	ASSEMBLY	1	MR3-GP-J9 TO MR3-SGA-Z-J5
30	46-328000G995	N	ASSEMBLY	1	MR3-GP-J7 TO MR3-SGA-X-J5
37	2178853-7	N	CABLE	1	MR3PDUSGA-Z- TO MR3SGA-Z-J3
38	2178853-8	N	CABLE	1	MR3PDUSGA-Z+ TO MR3SGA-Z-J2
39	2178853-9	N	CABLE	1	MR3PDUSGA-Y- TO MR3SGA-Y-J3
40	2178853-10	N	CABLE	1	MR3PDUSGA-Y+ TO MR3SGA-Y-J2
41	2178853-11	N	CABLE	1	MR3PDUSGA-X- TO MR3SGA-X-J3
42	2178853-12	N	CABLE	1	MR3PDUSGA-X+ TO MR3SGA-X-J2
56	2180280-2	N	CABLE	1	ACGD FAN CABLE
57	2271643	N	LEAD DATA	1	ACGD CABINET GROUND LEADS
102	2279742-2	N	SCREW	18	SCREW PAN HEAD 5 MM 16 MM
114	2271045	N	CABLE	1	MR3PDUACGD TO MR3SGAPS-TS1
	2301200-2	1	BOARD	1	CONTROL PC BOARD
	2301200-3	1	MODULE	1	TVSS MODULE

ACGD BASIC CABINET w/PHOENIX PDU

2238916



ACGD BASIC CABINET w/PHOENIX PDU 2238916 FRU 1

(PART 57 OF 2238915 PAGE 15-4)

Item	Part Number	FRU	Name	Quantity	Description (Remarks)
2	2272201	N	CABINET ASM	1	ACGD CABINET ASM WITH RAILS
2A	2345227	N	CABINET	ALT	ACGD BASIC CABINET
3	2251117	N	PDU	1	GRFD PDU
	2228875-2	1	BOARD	1	CONTROL PC BOARD
	2228875-7	1	MODULE	1	TVSS MODULE
10	2270930	N	OUT OF CATAL	4.0	STEEL BALL BEARING SLIDE 28 IN 273LB
11	2270636	N	PART	8.0	BRACKET,SLIDE MOUNTING
14	2178851-6	N	CABLE	1.0	MR3PDU-GP TO MR3GP (208 VOLTS)
15	2178851-7	N	CABLE	1.0	MR3PDU-SGA-X TO MR3SGA-X-J6
16	2178851-8	N	CABLE	1.0	MR3PDU-SGA-Y TO MR3SGA-Y-J6
17	2178851-9	N	CABLE	1.0	MR3PDU-SGA-Z TO MR3SGA-Z-J6
19	2255765	N	PART	1.0	MR3SGAPS-J1 TO MR3SGA-X-J1
20	2255765-2	N	PART	1.0	MR3SGAPS-J4 TO MR3SGA-X-J4
21	2255765-3	N	PART	1.0	MR3SGAPS-J2 TO MR3SGA-Y-J1
22	2255765-4	N	PART	1.0	MR3SGAPS-J5 TO MR3SGA-Y-J4
23	2255765-5	N	PART	1.0	MR3SGAPS-J3 TO MR3SGA-Z-J1
24	2255765-6	N	PART	1.0	MR3SGAPS-J6 TO MR3SGA-Z-J4
26	46-328000G996	N	ASSEMBLY	1.0	MR3-GP-J8 TO MR3-SGA-Y-J5
27	46-328000G998	N	ASSEMBLY	1.0	MR3-SGAPS-J7 TO MR3-GP-J10
28	46-328000G997	N	ASSEMBLY	1.0	MR3-GP-J9 TO MR3-SGA-Z-J5

ACGD BASIC CABINET w/PHOENIX PDU 2238916 FRU 1

(Continued from previous page)

Item	Part Number	FRU	Name	Quantity	Description (Remarks)
30	46-328000G995	N	ASSEMBLY	1.0	MR3-GP-J7 TO MR3-SGA-X-J5
37	2178853-7	N	CABLE	1.0	MR3PDUSGA-Z- TO MR3SGA-Z-J3
38	2178853-8	N	CABLE	1.0	MR3PDUSGA-Z+ TO MR3SGA-Z-J2
39	2178853-9	N	CABLE	1.0	MR3PDUSGA-Y- TO MR3SGA-Y-J3
40	2178853-10	N	CABLE	1.0	MR3PDUSGA-Y+ TO MR3SGA-Y-J2
41	2178853-11	N	CABLE	1.0	MR3PDUSGA-X- TO MR3SGA-X-J3
42	2178853-12	N	CABLE	1.0	MR3PDUSGA-X+ TO MR3SGA-X-J2
55	2168691	N	BRACKET	2.0	MODULE SUPPORT BRACKET
56	2180280-2	N	CABLE	1.0	ACGD FAN CABLE
57	2271643	N	LEAD DATA	1.0	ACGD CABINET GROUND LEADS
100	2180698	N	NUT	8.0	NUT CLIP ON 4 MM
101	46-328421P15	N	PDM PART	28.0	SCREW PAN HEAD 4 MM 12 MM
102	2279742-2	N	SCREW	18.0	SCREW PAN HEAD 5 MM 16 MM
103	46-328421P23	N	PDM PART	32.0	SCREW PAN HEAD 6 MM 10 MM
105	46-328422P14	N	PDM PART	4.0	SCREW COUNTERSUNK HEA 4 MM 10 MM
110	46-170686P1	N	ADHESIVE	0.0	LOCTITE 242, 0.5CC TUBE
112	46-208758P3	N	TY-RAP	23.0	7.31" X .184" SELF-LOCKING CABLE TIE
113	2245686	N	COVER	1.0	BRACKET COVER
114	2271045	N	CABLE	1.0	MR3PDUACGD TO MR3SGAPS-TS1
115	2265503	N	PART	1.0	BRACKET,SLAM LATCH,ACGD
116	2180698-2	N	NUT	34.0	NUT CLIP ON 5 MM