

# TABLE OF CONTENTS

<b>TABLE OF CONTENTS</b> .....	<b>1</b>
<b>UNIVERSAL LIFT KIT ASSEMBLY</b> .....	<b>2</b>
<b>1. ASSEMBLY PROCEDURE</b> .....	<b>2</b>
1-1 Introduction .....	2
1-2 Tools Required.....	2
1-3 Assembly Procedural Steps.....	2
<b>REVISION HISTORY</b> .....	<b>12</b>

# UNIVERSAL LIFT KIT ASSEMBLY

## 1. ASSEMBLY PROCEDURE

### 1-1 Introduction

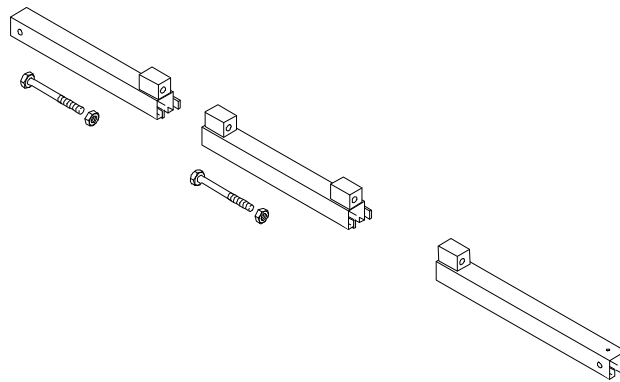
The Universal Lift Hoist is assembled from parts stored in the Universal Lift Hoist Kit. Lift attachments specially designed for the Scaleable Gradient Cabinet (SGD) are found in the outer-most compartments of the lift kit.

### 1-2 Tools Required

- Universal Lift Hoist Kit with SGD attachments, 46-317266G4
- Small hand tools including a Phillips-head screwdriver
- Two medium sized crescent wrenches

### 1-3 Assembly Procedural Steps

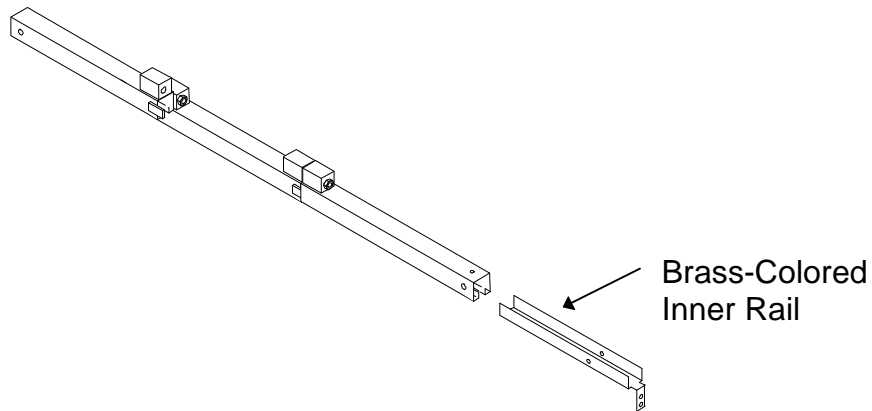
1. Locate the three (3) large Steel Rail sections and place them on a flat surface for assembly. See Illustration 1-1.



**STEEL RAIL SECTIONS, HEX BOLTS, AND HEX NUTS**  
ILLUSTRATION 1-1

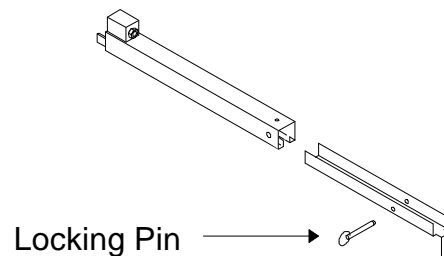
2. Arrange the rail sections in the proper order (rear, center, then front) and fasten them together with 4.75" X 1/2" caps crews and hex nuts.
3. Use the crescent wrenches to tighten the cap screws.
4. Locate the Brass Colored Inner Rail and insert it into the Steel Rails as shown in Illustration 1-2.

### Universal Lift Hoist Assembly Procedure (continued)



**ASSEMBLED STEEL RAILS AND BRASS-COLORED INNER RAIL**  
ILLUSTRATION 1-2

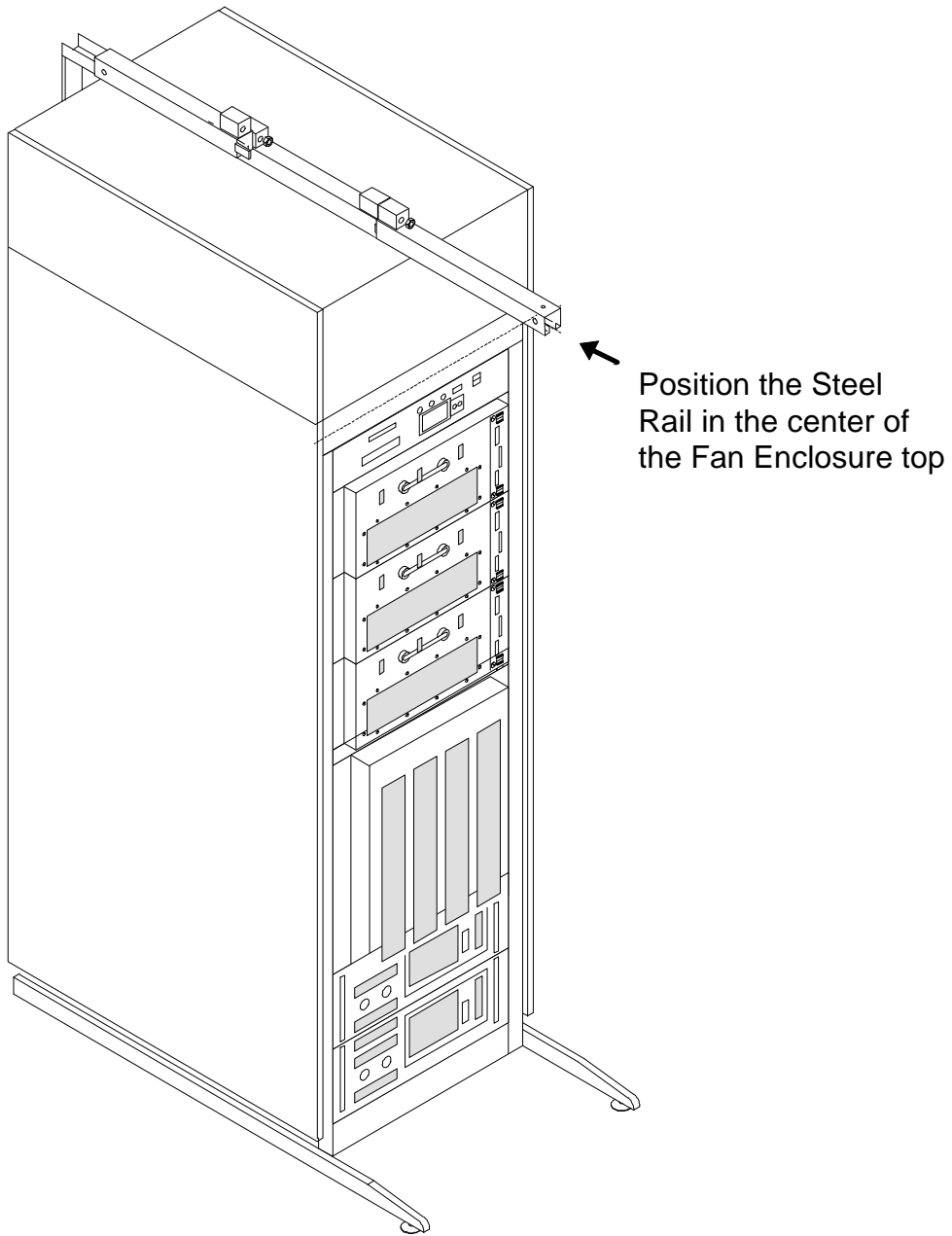
5. Insert the Brass Colored Inner Rail into the open end of the rear rail section.
6. Locate one of two (2) locking pins in the lift kit. Insert one locking pin into the hole near the open end of the rear rail section. This locking pin secures the Brass Colored Inner Rail to the outer Steel Rail. See Illustration 1-3.



**REAR STEEL RAIL, LOCKING PIN, AND BRASS-COLORED INNER RAIL**  
ILLUSTRATION 1-3

7. Place the Steel Rail assembly on top of the Fan Enclosure at the top of the SGD Cabinet. Center the Rail Assembly on the top of the enclosure. See Illustration 1-4.

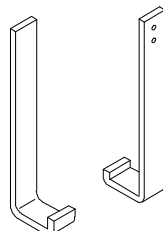
**Universal Lift Hoist Assembly Procedure (continued)**



**POSITIONING OF THE STEEL RAIL ASSEMBLY  
ILLUSTRATION 1-4**

## **Universal Lift Hoist Assembly Procedure (continued)**

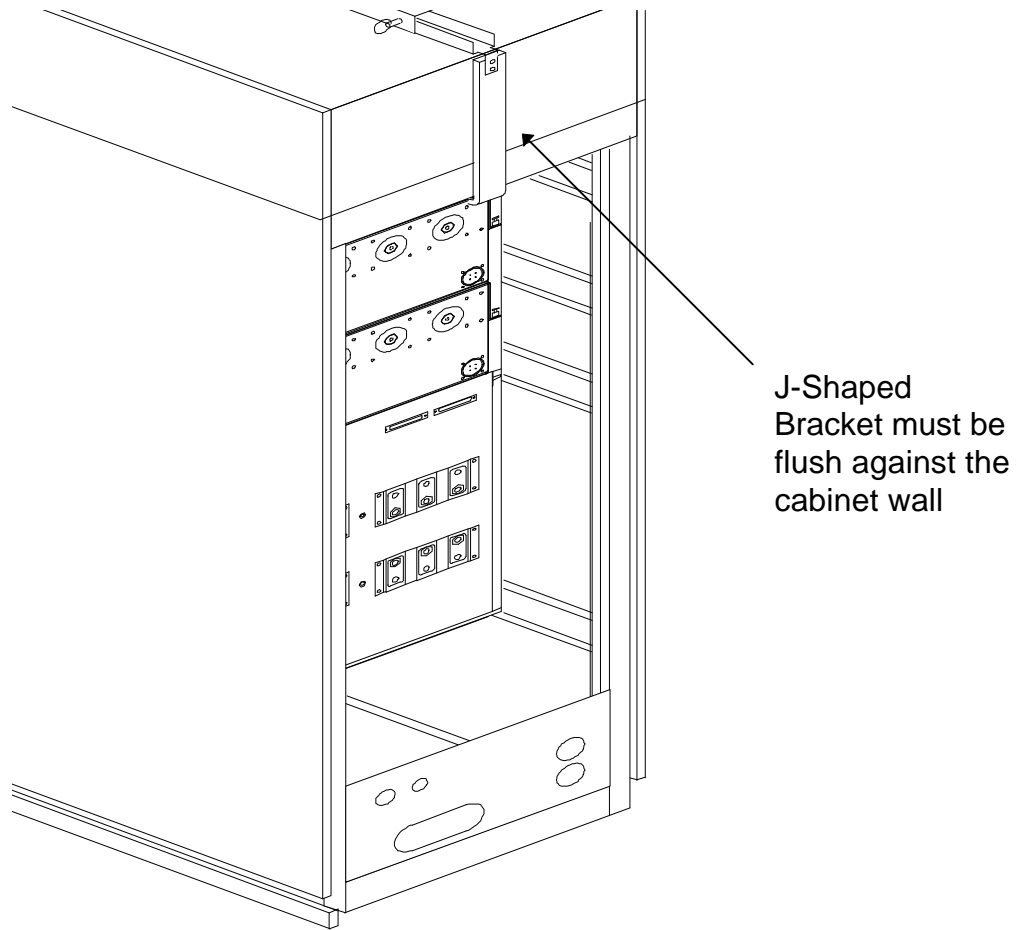
8. Locate the Brass Colored J-shaped Bracket in the Lift Kit. See Illustration 1-5.



**J-SHAPED BRACKET**  
ILLUSTRATION 1-5

9. Open the rear door of the SGD Cabinet. Observe how the J-shaped Bracket fits into the rear door frame. See Illustration 1-6.

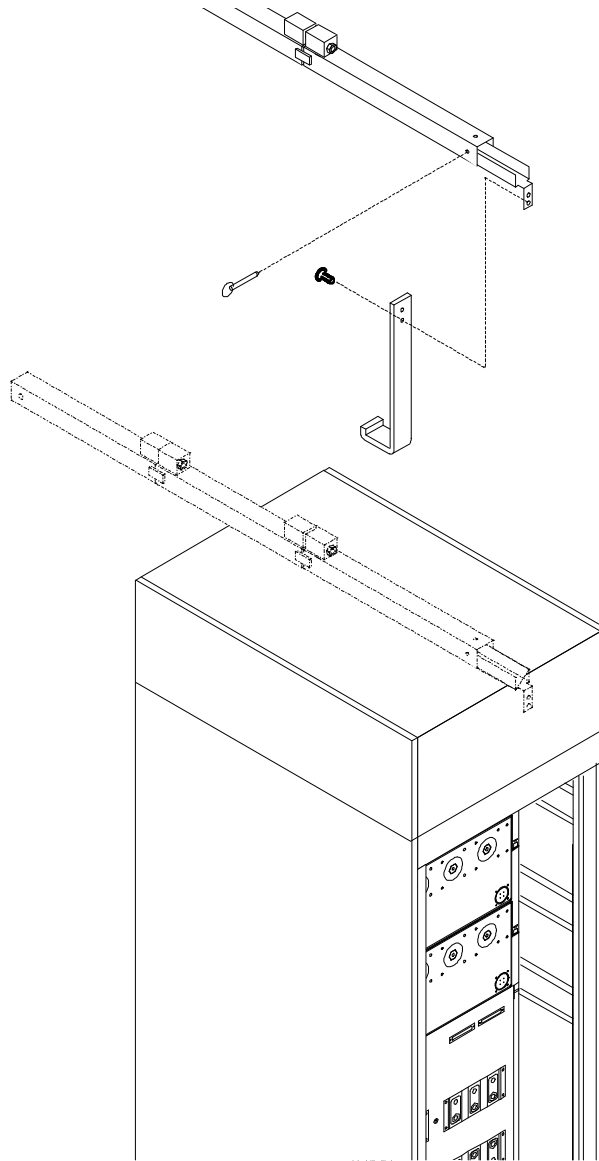
### Universal Lift Hoist Assembly Procedure (continued)



**POSITIONING OF THE J-SHAPED BRACKET**  
ILLUSTRATION 1-6

10. Slide the Rail Assembly toward the front of the SGD Cabinet. Maintain its centered position.
11. Attach the J-shaped Bracket to the Brass Colored Inner Rail so that the J-shaped Bracket is flush against the rear panel of the Fan Enclosure. Use the flat Phillips-head screws to secure the J-shaped Bracket to the Brass Colored Inner Rail. See Illustration 1-7.

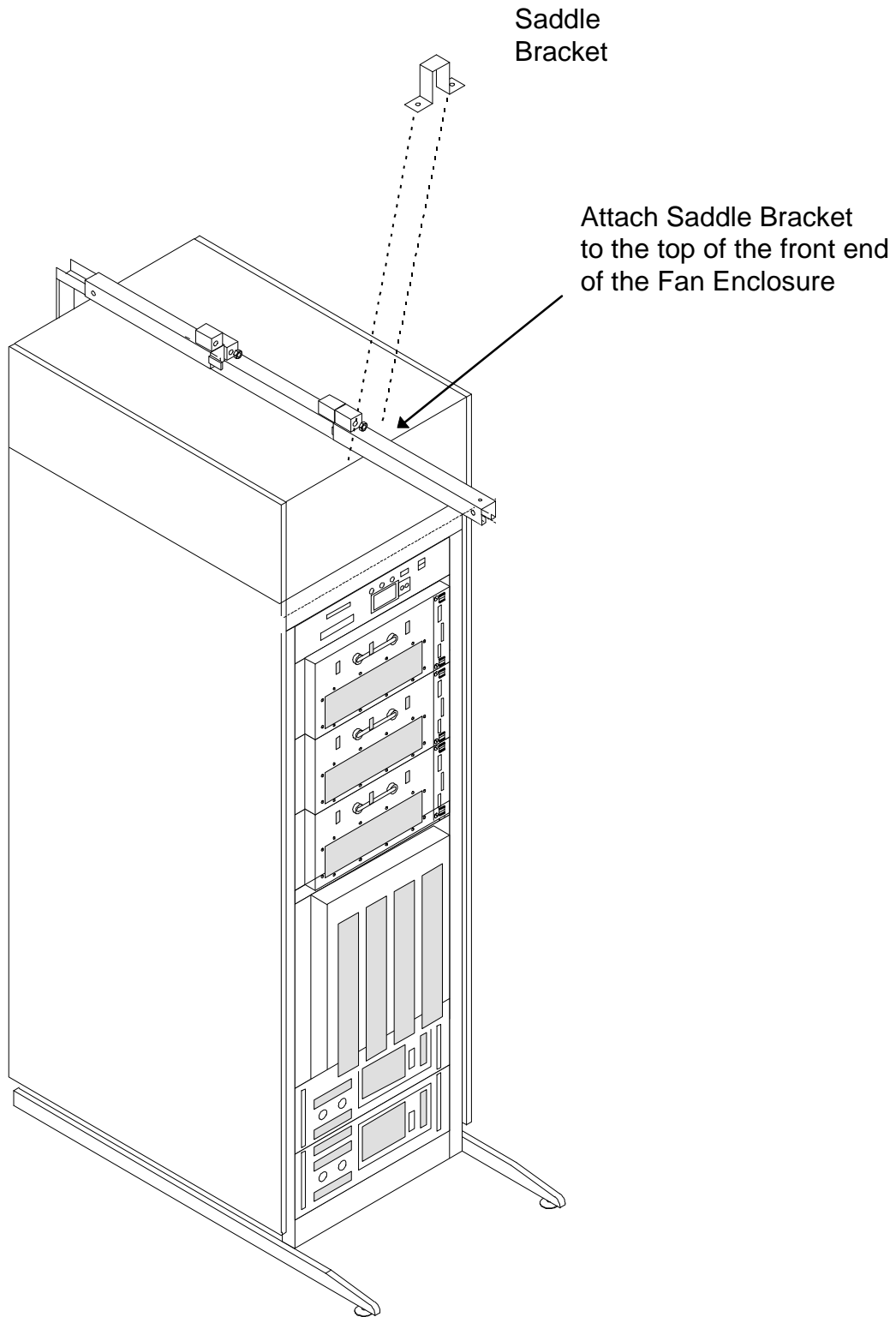
### Universal Lift Hoist Assembly Procedure (continued)



**CONNECTION OF THE J-SHAPED BRACKET TO THE STEEL RAIL ASSEMBLY**  
ILLUSTRATION 1-7

12. Once the J-Shaped Bracket is secured to the cabinet and the Steel Rail, attach the Saddle Bracket to the top of the Fan Enclosure. The screw holes are located at the front end of the Fan Enclosure. The Saddle Bracket prevents the Steel Rail from sliding from center position. See Illustration 1-8.

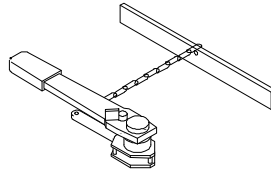
### Universal Lift Hoist Assembly Procedure (continued)



**POSITIONING AND ATTACHMENT OF THE SADDLE BRACKET**  
ILLUSTRATION 1-8

## Universal Lift Hoist Assembly Procedure (continued)

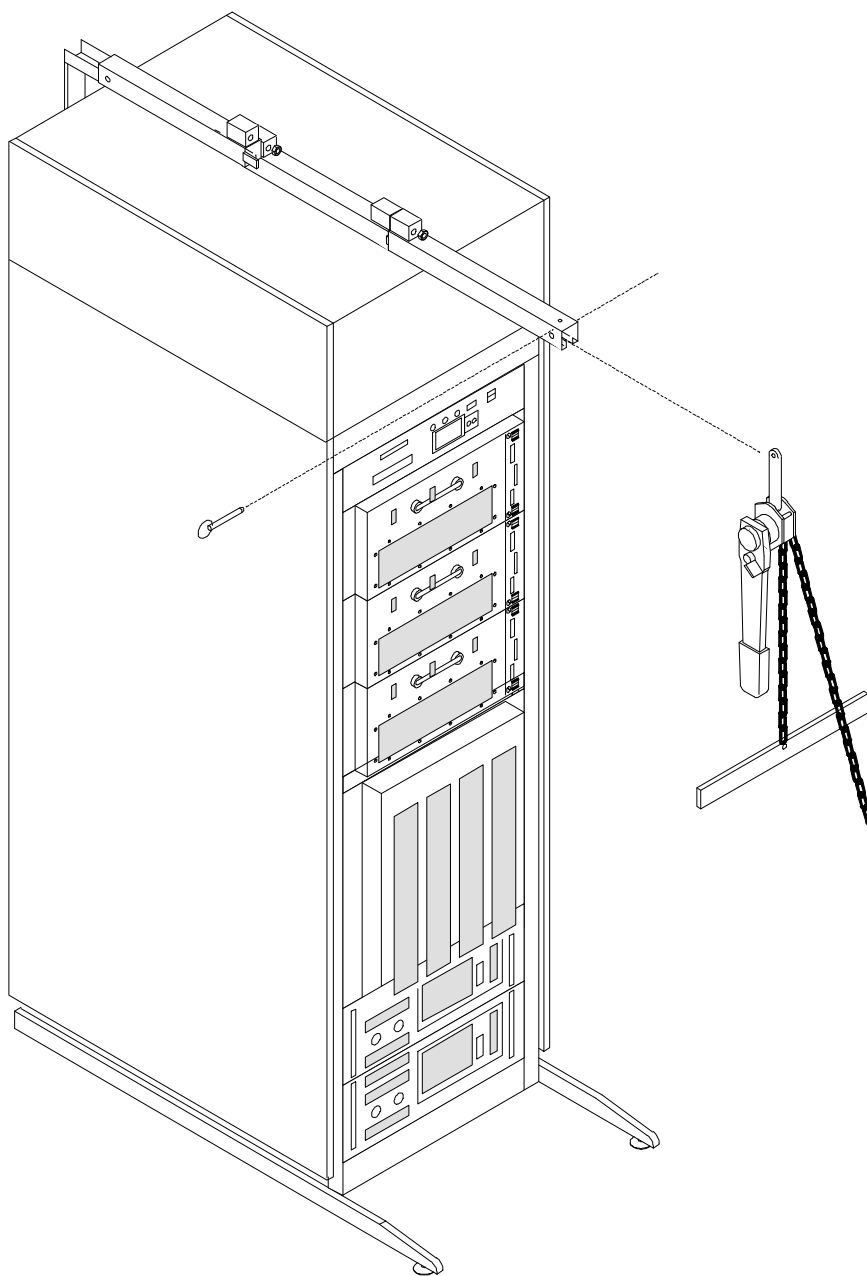
13. Locate the Hoist Assembly in the Lift Kit. See Illustration 1-9.



**HOIST ASSEMBLY**  
ILLUSTRATION 1-9

14. Insert the Hoist Assembly into the open end of the front rail. Insert a locking pin into the holes near the front edge of the front rail. This locking pin prevents the Hoist Assembly from sliding out of the rails. See Illustration 1-10.

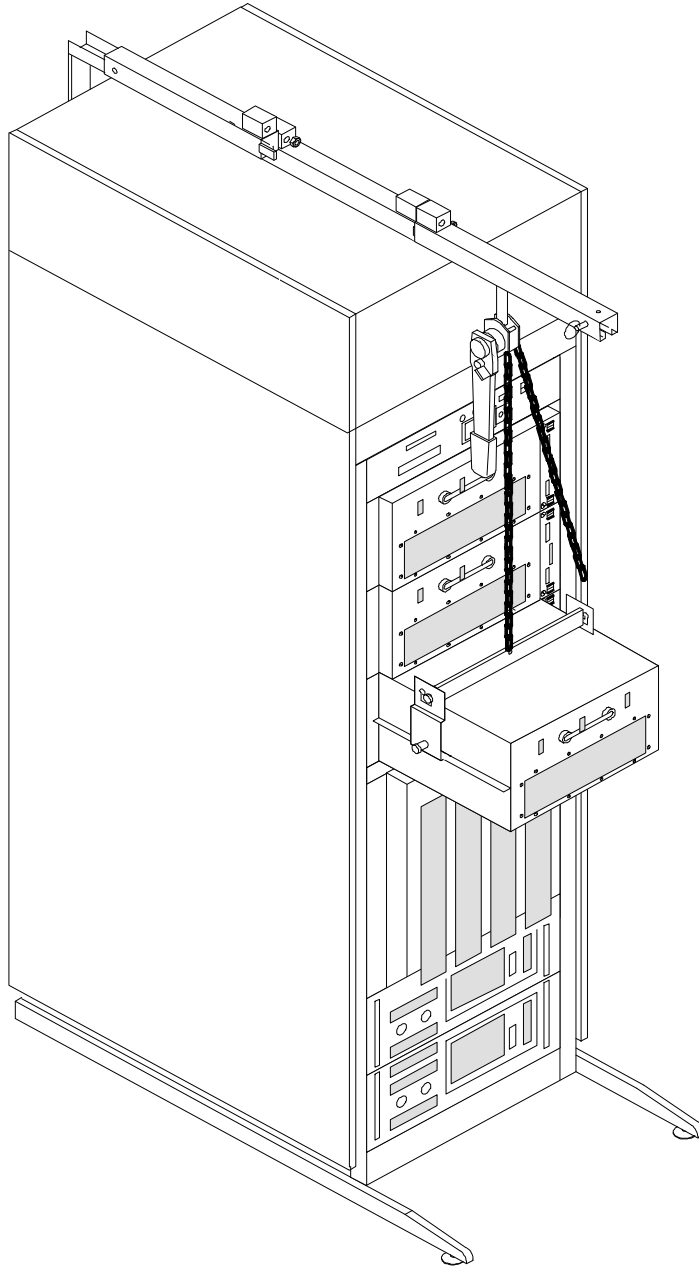
### Universal Lift Hoist Assembly Procedure (continued)



**PLACEMENT OF HOIST ASSEMBLY INTO FRONT END OF STEEL RAIL ASSEMBLY**  
ILLUSTRATION 1-10

**Universal Lift Hoist Assembly Procedure (continued)**

15. Select the proper lift brackets for your particular application and attach them to the Hoist Assembly. The Universal Lift Hoist is now ready for operation. Illustration 1-11 shows the Universal Lift Hoist being used to remove a Mini-GRAM Module from an SGD Cabinet.



**USING THE UNIVERSAL LIFT HOIST TO REMOVE A MINI-GRAM MODULE**  
ILLUSTRATION 1-11

## REVISION HISTORY

REV	DATE	AUTHOR	PRIMARY REASONS FOR CHANGE
A	08/11/97	F. Fiore	Initial draft of document completed
B	09/06/97	F. Fiore	Enter original draft in MR template for Microsoft Word documents.
C	09/11/97	F. Fiore	Incorporate illustrations and call outs
0	10/03/97	F. Fiore	Initial release for SGD production