

TABLE OF CONTENTS

<u>SECTION</u>	<u>TITLE</u>	<u>PAGE</u>
1	INSTALLATION OF MULTI-COIL PREAMP ASSEMBLIES FOR CHANNELS 1 & 8 FOR LPCC	1
2	INSTALLATION OF MULTI-COIL PREAMPS ASM 1 & 8 IN HIGH PROFILE CARRIAGE COVER	3

Description: This procedure is for installing preamp 1 and 8 and applies to both 1.0T and 1.5T Low Profile Carriage Cover (LPCC) and 1.0T and 1.5T High Profile Carriage Cover.

Description	M1087CY (1.5T) Part Number	M1887CY (1.0T) Part Number	Qty
Preamp Assembly	46-328040G2	46-328040G6	2
Preamp Support Assembly	2212189	2212189	2
#1 INPUT Cable	2214665	2214665	1
#8 INPUT Cable	2214665-8	2214665-8	1
Installation Direction	2238944	2238944	1
Cable Ties	46-208758P3	46-208758P3	6
10-32 X 5/8" Rnd Hd Screw	46-220184P42	46-220184P42	4
Screw	46-208921P7	46-208921P7	4

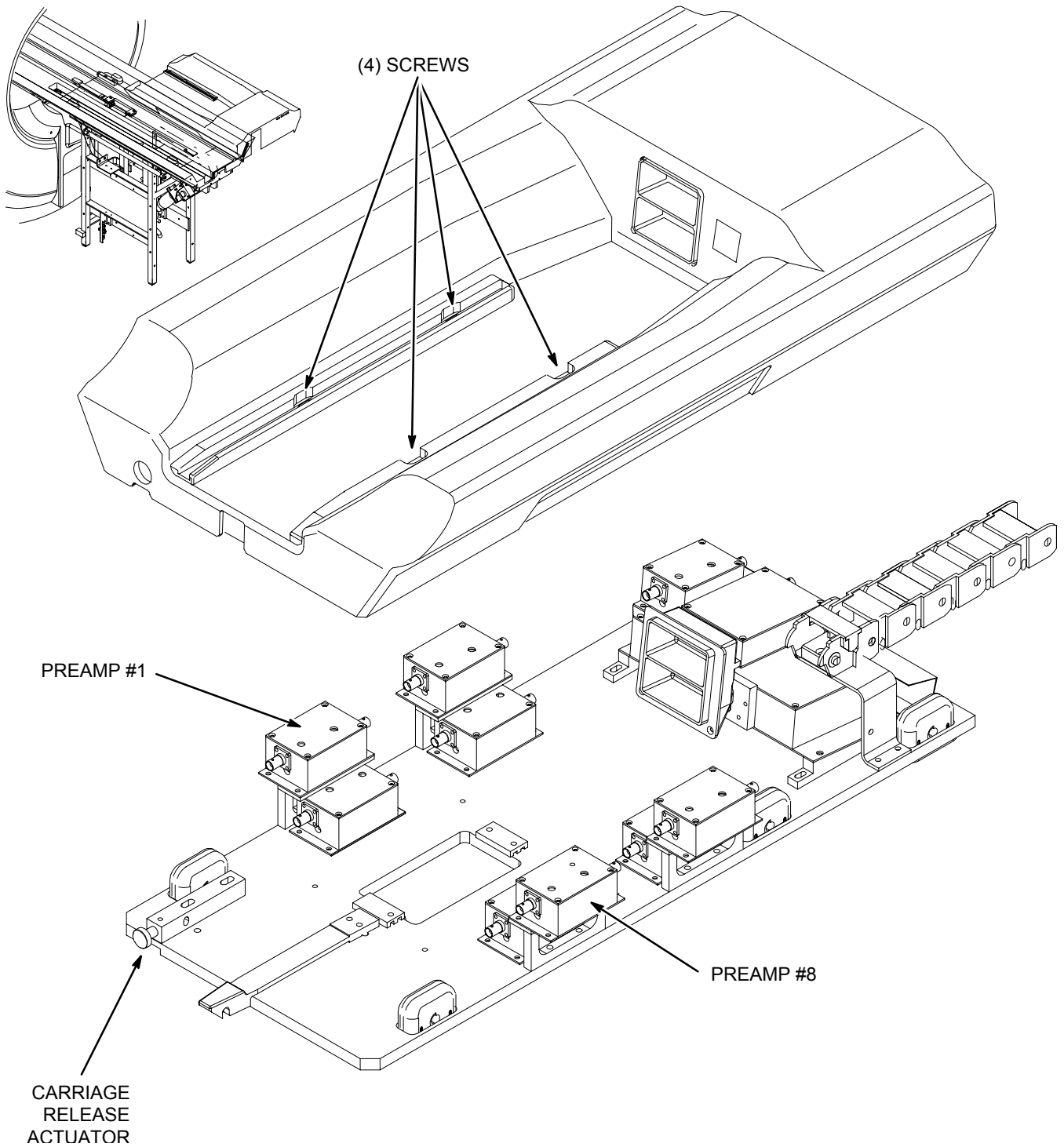
TABLE 1-1
SHIPPING LIST

1 - INSTALLATION OF MULTI-COIL PREAMP ASSEMBLIES FOR CHANNELS 1 AND 8 FOR LOW PROFILE CARRIAGE COVER



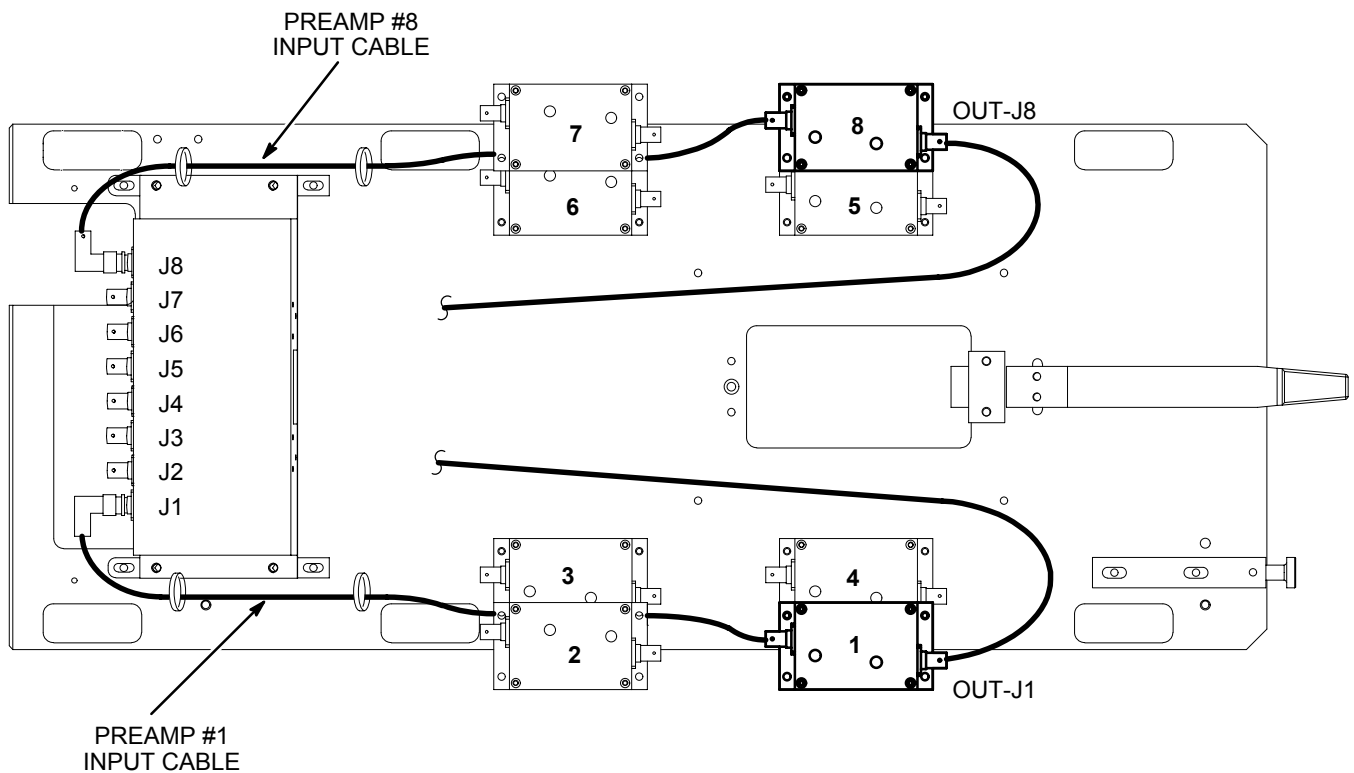
Possible equipment damage. Verify that power is removed from the RF subsystem before removing or disconnecting exam room RF components. The RF amplifier or TR driver could be damaged by operating into improperly terminated loads.

1. Remove the power to the RF subsystem by turning off the appropriate circuit breaker. Follow lockout/tagout procedures (refer Service Methods CD; Safety; Section 6-OSHA Lockout/Tagout Requirements).
2. Verify that power is off by checking the fans and LEDs on both the RF amplifier and the System Support Module (SSM).
3. Move the patient table all the way into the magnet to allow access to the head carriage assembly at the back of the magnet.
4. Disconnect the cradle from the carriage to allow the cover to slip over the carriage release actuator in the next step.
5. Remove the 4 carriage cover screws and remove the cover by sliding the cover forward over the release actuator, lift, move back, and lift. See Illustration 1 -1.
6. Remove output cables for channel 1 and 8 from the preamp protect assembly.
7. Install preamps 1 and 8 in the locations specified on Illustration 1-1. Use the preamp support assembly hardware provided in this kit. Preamps 1 and 8 will be mounted using the same method as preamps 2 and 7 (refer to Illustration 1-2).



LOW PROFILE CARRIAGE COVER ASSEMBLY
ILLUSTRATION 1-1

- 8. Connect preamp #1 input cable from preamp protect J1 to preamp 1 INPUT. See Illustration 1-2.
- 9. Connect preamp #8 input cable from preamp protect J8 to preamp 8 INPUT. See Illustration 1-2.
- 10. Connect output cable OUT-J1 to preamp 1 OUTPUT.
- 11. Connect output cable OUT-J8 to preamp 8 OUTPUT.



CABLE ROUTING
ILLUSTRATION 1-2

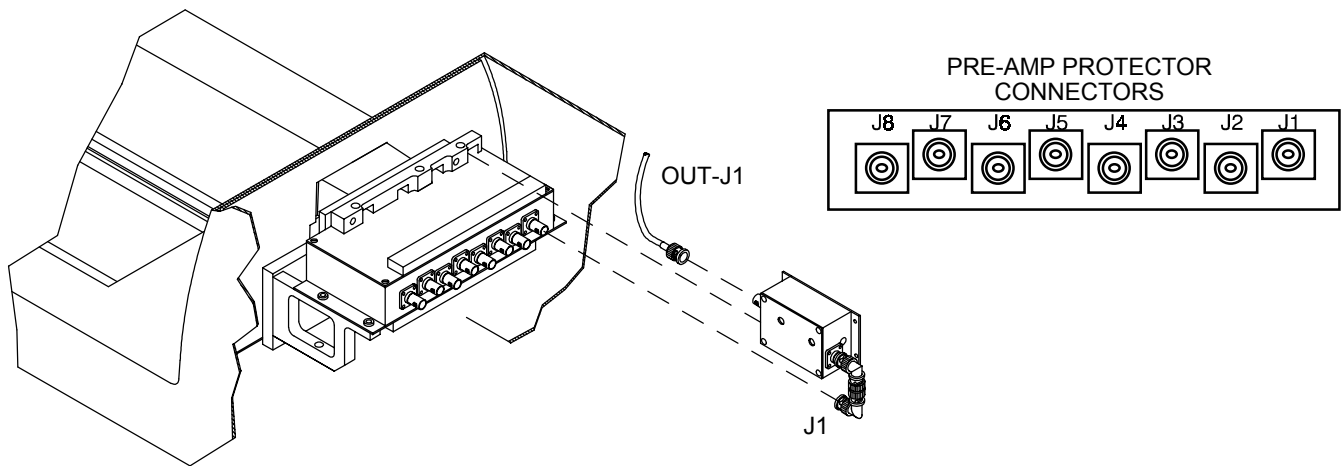
- 12. Reinstall the carriage cover and secure using the 4 carriage cover screws.
- 13. Remove lockout/tagout.
- 14. Turn on RF subsystem power.

2 - INSTALLATION OF MULTI-COIL PREAMPS ASSEMBLY 1 AND 8 IN HIGH PROFILE CARRIAGE COVER



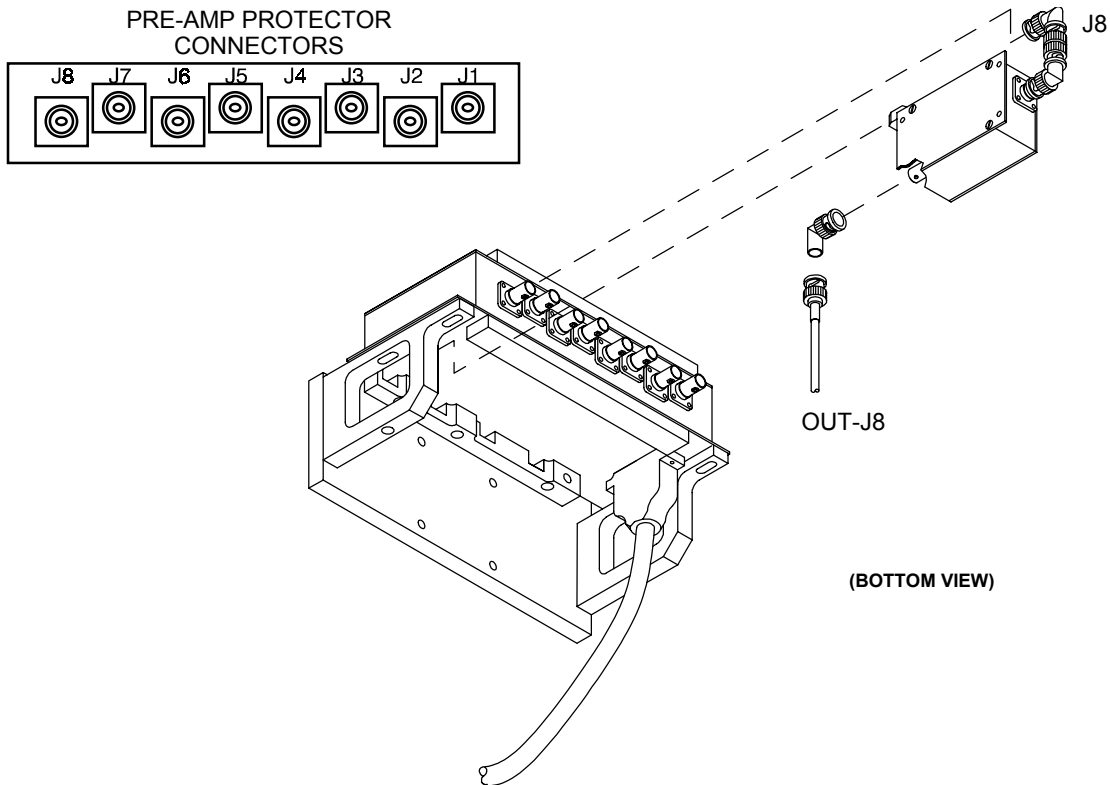
Possible equipment damage. Verify that power is removed from the RF subsystem before removing or disconnecting exam room RF components. The RF amplifier or TR driver could be damaged by operating into improperly terminated loads.

1. Remove the power to the RF subsystem by turning off the appropriate circuit breaker. Follow lockout/tagout procedures (refer Service Methods CD; Safety; Section 6-OSHA Lockout/Tagout Requirements).
2. Verify that power is off by checking the fans and LEDs on both the RF amplifier and the System Support Module (SSM).
3. Move the patient pable all the way into the magnet to allow access to the head carriage assembly at the back of the magnet.
4. Remove access panel from rear of carriage cover.
5. Disconnect cable OUT-J1 and BNC right angle adapter from preamp protect J1.
6. Connect OUT-J1 cable to new preamp OUTPUT.
7. Insert new preamp into notch on preamp protect locating block. See illustration 2-1.
8. Connect two BNC right angle connectors and straight adapters to new preamp INPUT.
9. Connect the other end of the BNC connector assembly to preamp protect J1. See Illustration 2-1.



PREAMP INSTALLATION (CHANNEL 1)
ILLUSTRATION 2-1

- 10. Disconnect cable OUT-J8 and BNC right angle adapter from preamp protect J8.
- 11. Connect OUT-J8 cable to new preamp OUTPUT.
- 12. Insert new preamp into notch on preamp protect locating block. See illustration 2-2.
- 13. Connect two BNC right angle connectors and a straight adapter to new preamp INPUT.
- 14. Connect the other end of the BNC connector assembly to preamp protect J8. See Illustration 2-2.



PREAMP INSTALLATION (CHANNEL 8)
ILLUSTRATION 2-2

- 15. Replace carriage cover access panel.
- 16. Remove lockout/tagout.
- 17. Turn on RF subsystem power.

REVISION HISTORY

REV	DATE	PRIMARY REASON FOR CHANGE
0	Mar 19, 1999	Initial Release of procedure.
1	Feb 19, 2001	Update book format. Changed procedure, switched position of channels 1 & 8 in Illustration 1-1.

LIST OF EFFECTIVE PAGES

PAGE	REV
Title Page	1
Damage in Trans.	-
Direction 2128126	0*
A	1
i	1
1 thru 5	1

* This revision number/letter corresponds to the indicated document's revision control system.