

SECTION 6A – COMPUTER (HORIZON 5.X)

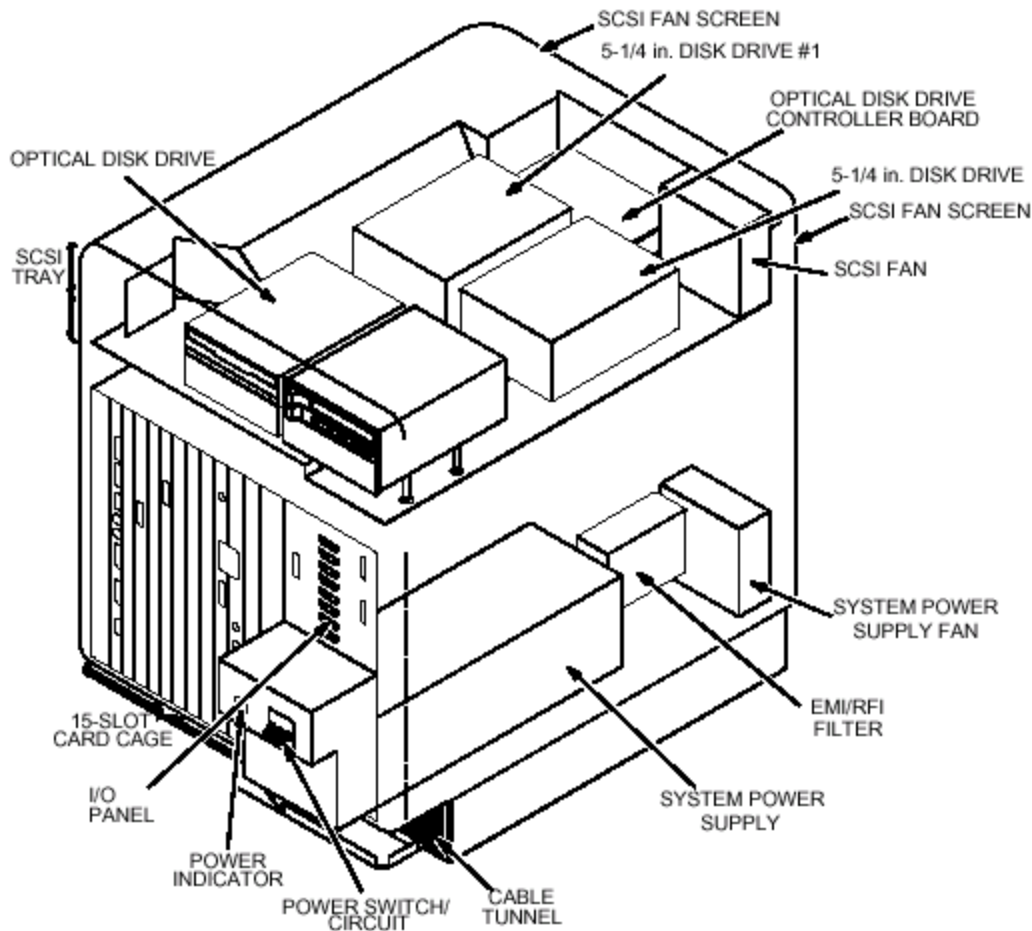
TABLE OF CONTENTS

<u>SECTION</u>	<u>TITLE</u>	<u>PAGE</u>
6A-1	CHECK OC/IC COMPUTER FANS AND CLEAN AIR INTAKE GRILLS	6A-2
6A-2	CLEAN OC/IC DAT DRIVE.....	6A-4
6A-3	CHECK OC/IC CONSOLE POWER SUPPLY FAN	6A-4
6A-4	CLEAN AND VACUUM OC/IC CONSOLE INTERIOR	6A-5

6A-1 CHECK OC/IC COMPUTER FANS AND CLEAN AIR INTAKE GRILLS

Check Fans

1. The operation of the System Power Supply fan and SCSI fan can be verified by holding your hand against the fan screens on the rear of the Genesis Computer. See Illustration 6A-1.
2. If System Power Supply fan has to be replaced the system power supply must be removed.
3. If SCSI fan has to be replaced the SCSI tray has to be removed.
4. Replace fans as necessary with part number 46-307090P8.

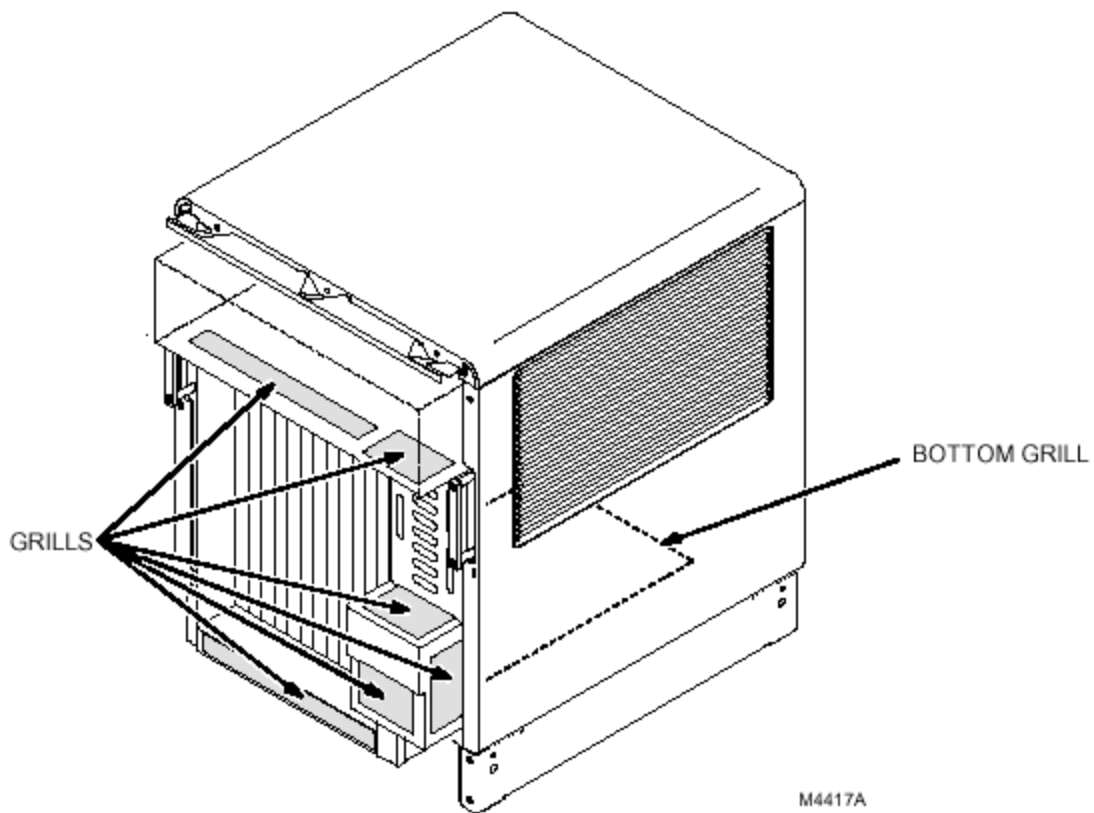


INSPECTION OF GENESIS COMPUTER FANS (COVERS REMOVED)
 ILLUSTRATION 6A-1

6A-1 CHECK OC/IC COMPUTER FANS AND CLEAN AIR INTAKE GRILLS (continued)

Clean Air Intake Grills

1. Remove front cover from the computer.
2. Insure floor area adjacent to the computer is free of debris and dirt.
3. Vacuum screens on lower intake grill, under the SCSI tray, on the front of the power supply and also the grill underneath the computer. See Illustration 6A-2.



COMPUTER AIR INTAKE GRILLS
ILLUSTRATION 6A-2

4. Reinstall front cover on computer.

6A-2 CLEAN OC/IC DAT DRIVE

This section provides instructions for cleaning the tape heads of the DAT tape drive. The tape heads should be cleaned after every 25 hours of use and when the Caution Signal is displayed. It is also recommended that the heads be cleaned prior to each Load From Cold.

Procedure

Note

If the customer is not using the DAT Drive for archiving, you should only clean it before you use it. If the customer is using the DAT Drive for archiving, check to see if they are cleaning it. If they are not cleaning it, you should.

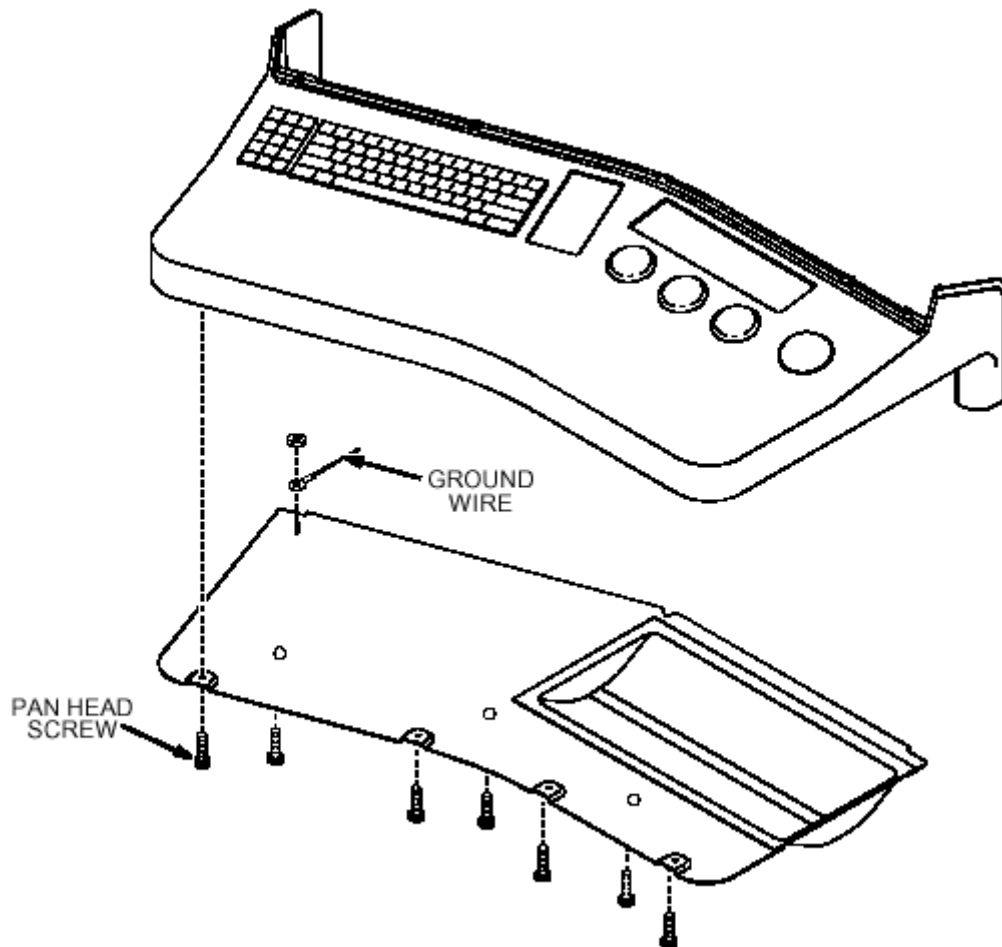
1. Insert the cleaning cassette (46-320006P1) into the drive. The drive will automatically load the cassette and clean the heads. At the end of the cleaning cycle, the drive ejects the cassette.
2. Note the date on the label on the cleaning cassette, so that there is a record of how many times it has been used. After 25 uses, discard the cassette.

6A-3 CHECK OC/IC CONSOLE POWER SUPPLY FAN

1. Open the console electronics panel cover, located below the keyboard desk with the key provided.
2. Unscrew the retaining screw located at the top of the electronics panel allowing it to swing out. The power supply is mounted on the back of the panel.
3. Observe that the power supply fan is operational.

6A-4 CLEAN AND VACUUM OC/IC CONSOLE INTERIOR

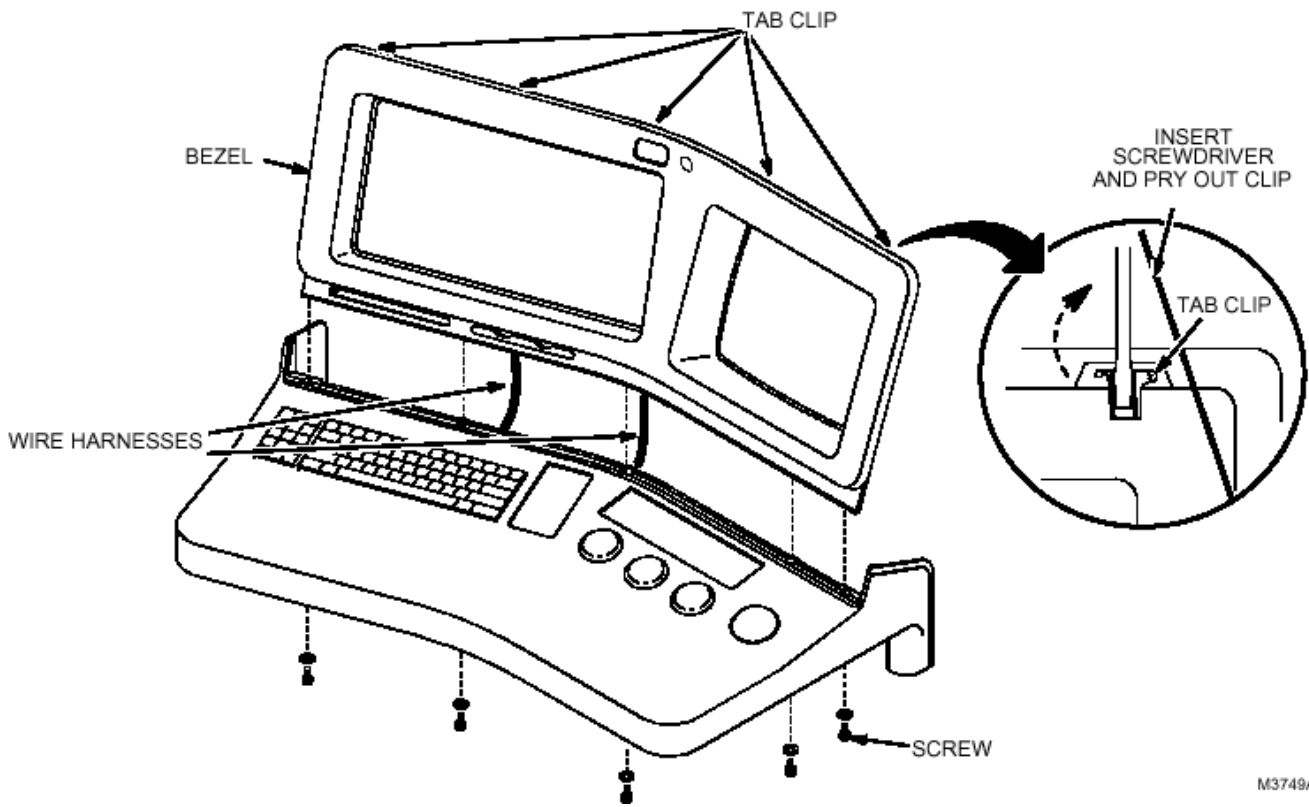
1. Remove the keyboard housing bottom pan located on the underside of the console keyboard desk, by removing the seven pan head screws that attach it to the desk top. Lower the pan, taking care not to break the ground wire attached to it. Leave ground wire attached, rotate the housing and stand on its side. See Illustration 6 A-3.



REMOVAL OF KEYBOARD HOUSING BOTTOM PAN
ILLUSTRATION 6A-3

6A-4 CLEAN AND VACUUM OC/IC CONSOLE INTERIOR (continued)

2. Remove the five hex screws located along the inner edge of the desk top using a 7/64 inch hex wrench. See Illustration 6A-4.
3. Using a small flat blade screwdriver pry out the captive retaining tabs located along the top inner edge of the monitor and touch screen bezel.
4. Lift bezel carefully and disconnect two wire harnesses which are still attached. Remove the bezel.
5. Locate the touch screen hold-down clip and screw on the lower left-hand edge of the touch screen and loosen the screw a few turns. Flipping the retaining strap down will allow the touch screen to be swung out by pulling it from the left edge and swinging it to the right.
6. The bottom pan, rear of the touch screen and area behind it are now accessible for vacuuming.
7. To re-install the bezel, reverse steps 1 through 5 (be careful not to push EMERGENCY STOP button during installation).



CONSOLE BEZEL REMOVAL
 ILLUSTRATION 6A-4

M3749AM