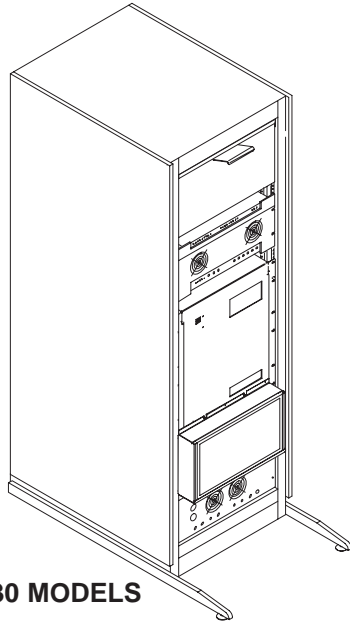


SECTION 10 – RF/PENETRATION CABINET

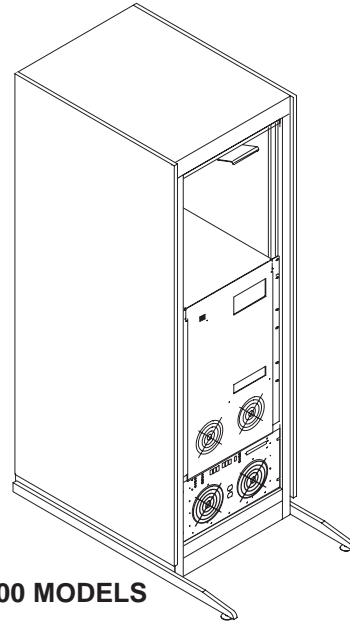
TABLE OF CONTENTS

SECTION

PAGE



2109930 MODELS



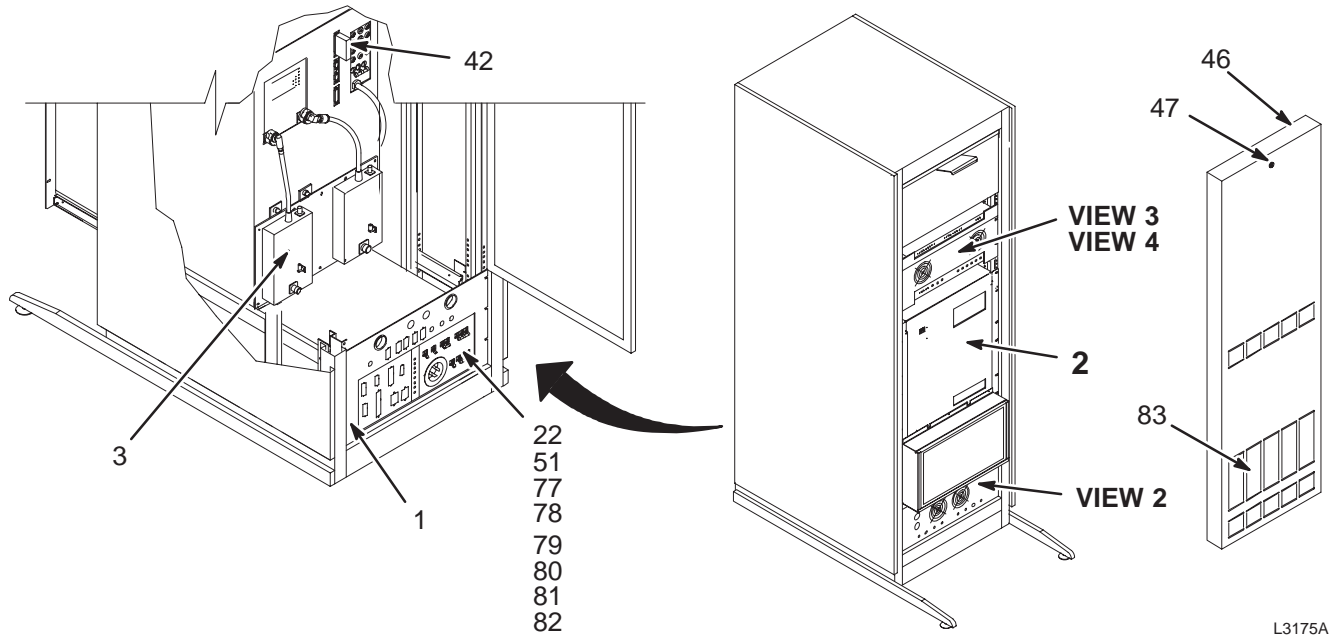
2160200 MODELS

10-1 RF/PENETRATION CABINET	10-2
1.5T RF/PENETRATION CABINET	2109930 10-4
1.0T RF/PENETRATION CABINET	2109930-2 10-8
10-2 RF/PENETRATION II CABINET	10-14
1.5T RF/PENETRATION II CABINET	2160200 10-17
1.0T RF/PENETRATION II CABINET	2160200-3 10-18

10-1 RF/PENETRATION CABINET

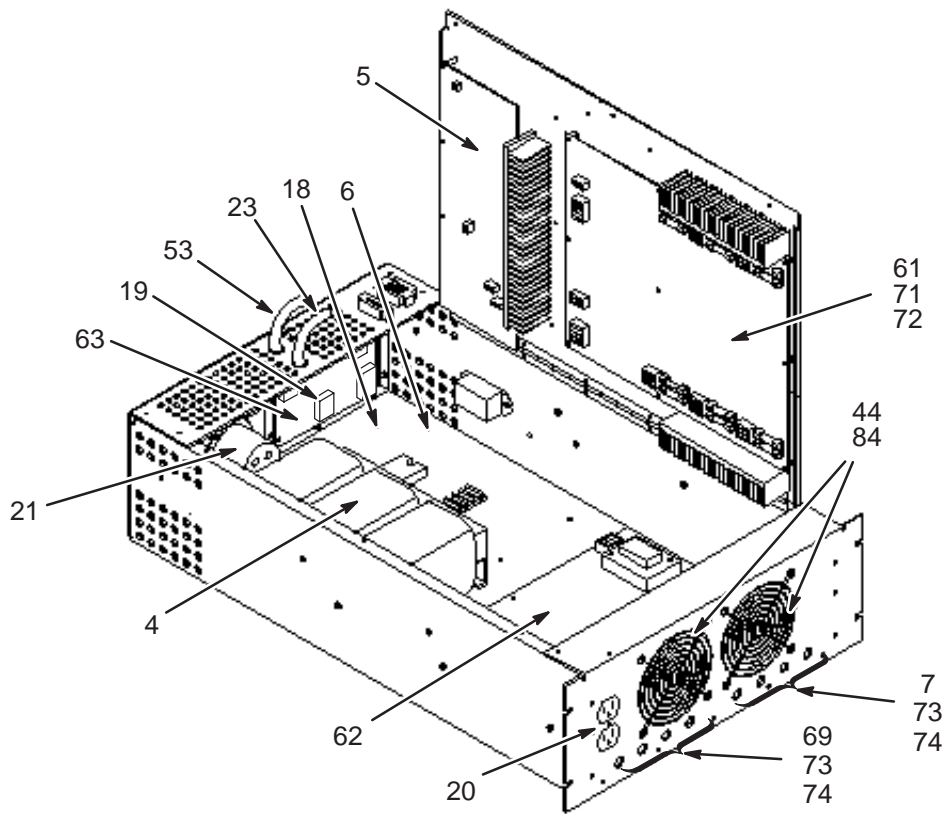
1.5T RF/PEN CABINET

2109930



VIEW 1

L3175A

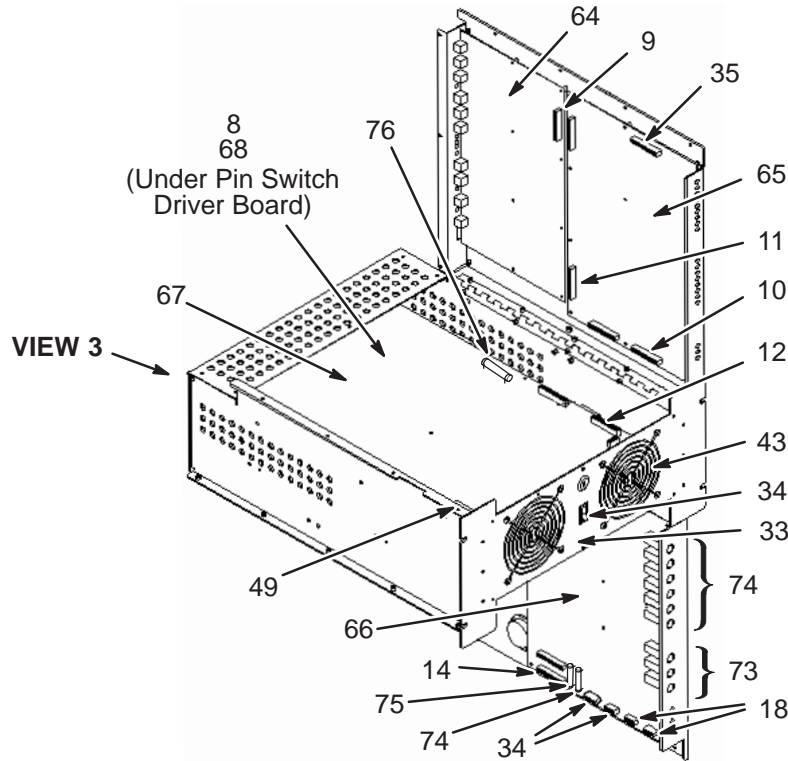


VIEW 2

L3176A

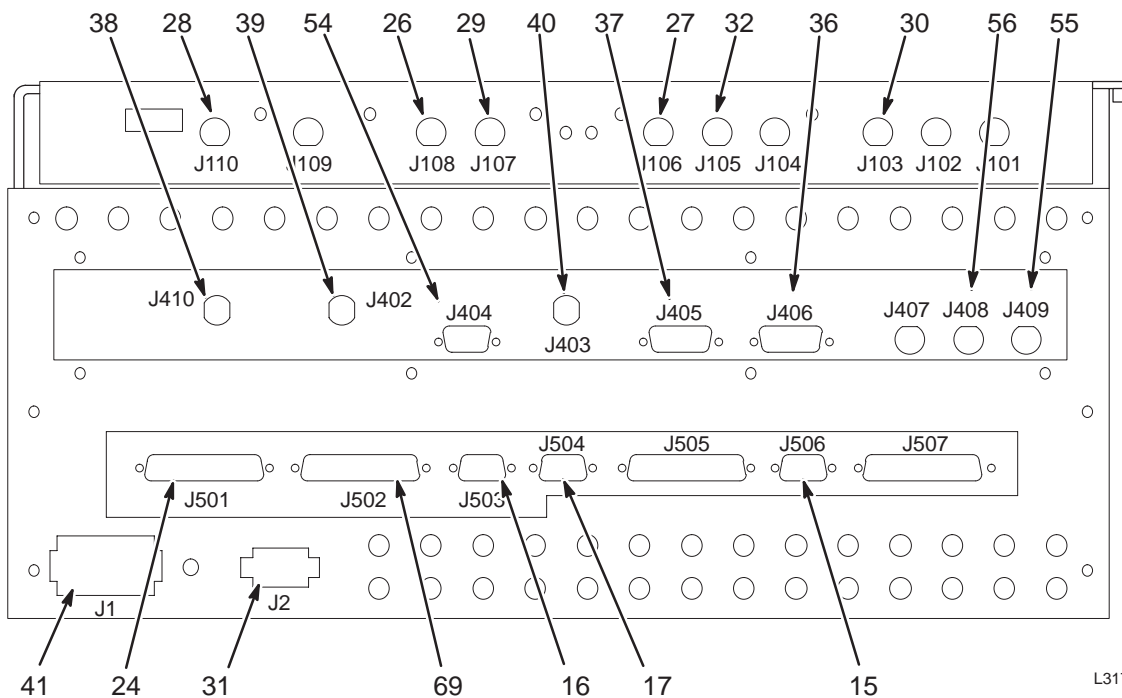
1.5T RF/PEN CABINET

2109930



L3177A

VIEW 3



L3177A

(CABLES CONNECTED TO RF SYSTEM CONTROLLER MODULE)

VIEW 4

1.5T RF/PEN CABINET 2109930 FRU N (PART OF 1.5T 271000G SERIES – SECTION 1)

Item	Part Number	FRU	Name	Quantity	Description (Remarks)
1	2124498-15	2	PART	1	RF/PEN CABINET INTERFACE PANEL
2	46-271962P1	2	RF POWER AMP	1	ERBTEC 20KW RF AMPLIFIER, MR1 A10 (SEE PAGE 10-11)
3	46-328320P1	1	DUAL COUPLER	1	1.5T HEAD & BODY DIRECTIONAL COUPLER
4	2124498-2	2	MAGNETICS	1	SCAN/MAGNET ROOM TRANSFORMER
5	2124498-16	1	PART	1	LONGITUDINAL DRIVE POWER AMP BOARD
6	2124498-6	2	HARNESS	1	SCAN/MAGNET ROOM PS WIRING HARNESS
7	2124497-25	2	PART	1	CABLE, ASM, MEPS FAN HARNESS
8	2124497	2	HARNESS	1	RFSC INTERNAL WIRING HARNESS
9	2124497-2	2	RIBBON CABLE	1	CABLE, ASM, RIBBON, 40 PIN
10	2124497-3	2	RIBBON CABLE	1	CABLE, ASM, RIBBON, 50 PIN
11	2124497-4	2	RIBBON CABLE	1	CABLE, ASM, RIBBON, 40 PIN
12	2124497-5	2	RIBBON CABLE	1	CABLE, ASM, RIBBON, 40 PIN
13	2124498	N	PS MODULE	1	SCAN/MAGNET ROOM POWER SUPPLY MODULE
14	2124497-6	2	RIBBON CABLE	1	CABLE, ASM, RIBBON, 40 PIN
15	2124497-7	2	D-SUB CONN	1	CABLE D-SUB, 9 PIN, M/F
16	2124497-8	2	D-SUB CONN	1	CABLE D-SUB, 9 PIN, M/F
17	2124497-9	2	D-SUB CONN	1	CABLE D-SUB, 9 PIN, M/F
18	2124497-26	2	PART	1	CABLE, HARNESS, RFSC, INTERNAL AC
19	2124497-27	2	PART	1	CABLE, HARNESS, MEPS RELAY
20	2124497-28	2	PART	1	CABLE, HARNESS, MEPS DUPLEX
21	2124497-29	2	PART	1	CABLE, HARNESS, MEPS AC PLUG
22	2124497-30	2	PART	1	CABLE, MEPS CIRCUIT BREAKERS, RED
23	2124497-31	2	PART	1	ERBTEC #450039 RF AMP POWER CORD FRU
24	2124497-32	2	PART	1	CABLE, D-SUB, 25PIN M/F
25	2124497-33	2	PART	1	CABLE, D-SUB, 25PIN M/F
26	2124497-11	2	COAXIAL	1	COAXIAL CABLE, RG223, BNC M
27	2124497-34	2	PART	1	CABLE, COAXIAL, RG223 BNC (M/M)
28	2124497-12	2	COAXIAL	1	COAXIAL CABLE, RG223, BNC M, BODY
29	2124497-35	2	PART	1	CABLE, COAXIAL, RG223 BNC (M/M)
30	2124497-13	2	COAXIAL	1	COAXIAL CABLE, RG223, BNC M, RF OUT
31	2124497-36	2	PART	1	CABLE, HARNESS
32	2124497-14	2	COAXIAL	1	COAXIAL CABLE, RG223, BNC M, RF IN
33	2124497-15	2	HARNESS, FAN	1	CABLE, FAN HARNESS
34	2124497-16	2	HARNESS	1	KEY SWITCH HARNESS
35	2124497-17	2	RIBBON CABLE	1	RIBBON CABLE, 40 PIN, SIGNAL CMPWR
36	2124497-18	2	CABLE	1	CABLE, D-SUB, 9 PIN, M/F, MULTI-COIL
37	2124497-19	2	CABLE	1	DSUB CBL, 9PIN, M/F, MULTI-COIL BIAS
38	2124497-20	2	CABLE,BULKHD	1	BULKHEAD CABLE, F/BNC,M, DYNDIS DRV1
39	2124497-21	2	CABLE,BULKHD	1	BULKHEAD CABLE, F/BNC,M, DYNDIS DRV2
40	2124497-22	2	CABLE,BULKHD	1	BULKHEAD CABLE, F/BNC,M, DYNDIS DRV3
41	2124497-24	2	HARNESS	1	WIRING HARNESS, RFSC PWR DISTRIB
42	2124498-14	2	SCM PLUG	1	SCM DEFEATER PLUG ASM
43	2124498-17	2	PART	1	RF SYSTEM CONTROLLER FAN
44	2124498-18	2	PART	1	MEPS FAN
45	2124498-19	2	PART	1	SLIDE, 26"

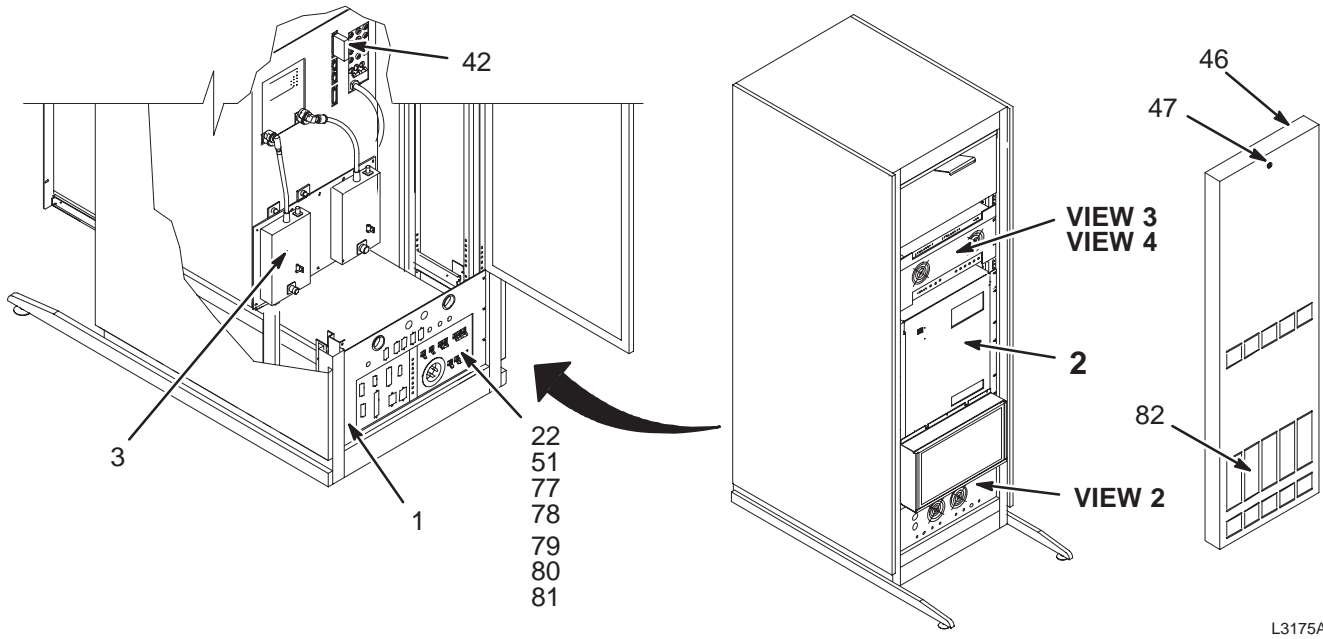
Parts List Continued On Next Page

1.5T RF/PEN CABINET 2109930 FRU N (CONTINUED FROM PREVIOUS PAGE)

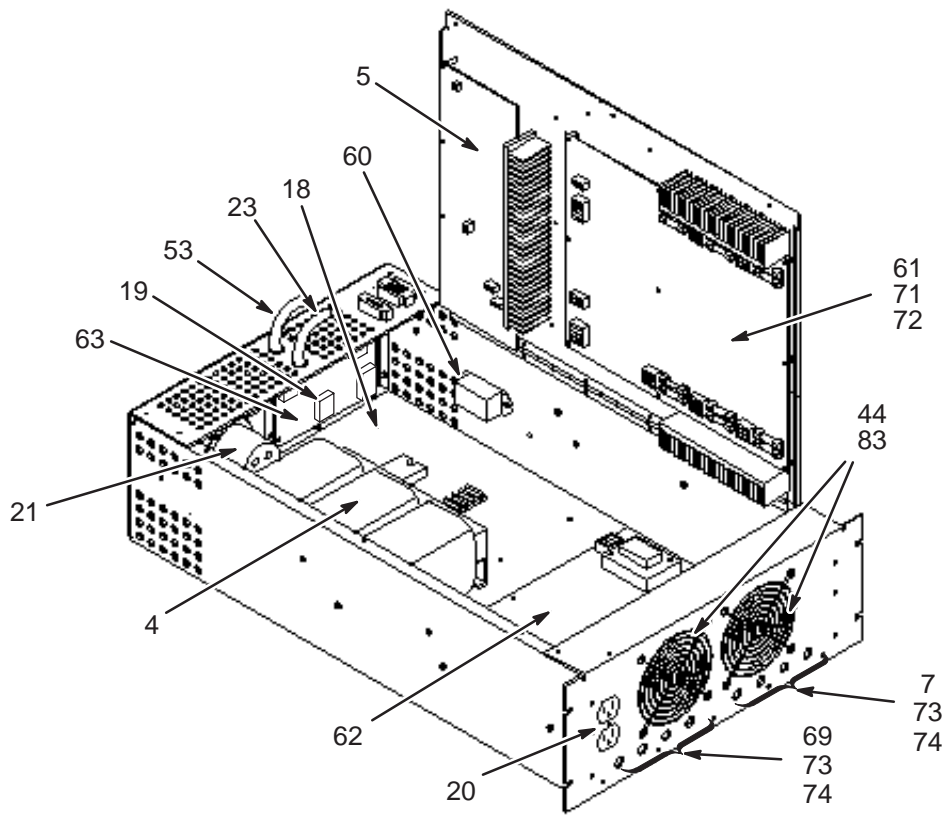
Item	Part Number	FRU	Name	Quantity	Description (Remarks)
46	2124498-20	2	PART	1	FRONT COVER
47	2124498-21	2	PART	1	LATCH, FRONT DOOR
48	2124498-22	2	PART	1	CABLE CLAMP
49	2124497-38	2	PART	1	CABLE, RFSC HIGH VOLTAGE INTERLOCK
51	2124497-40	2	PART	1	CABLE, MEPS CIRCUIT BREAKER, BLK
52	2124497-41	2	PART	1	CABLE, HARNESS, MEPS LOAD RESISTOR
53	2124497-42	2	PART	1	ERBTEC #450142 SPECTRO AMP PWR CORD
54	2124497-43	2	PART	1	CABLE, D-SUB, 15PIN, M/F
55	2124497-44	2	PART	1	CABLE, COAXIAL, RG223, BNC (M/M)
56	2124497-45	2	PART	1	CABLE, COAXIAL, RG223, BNC (M/M)
60	2124498-35	2	PS MODULE	1	ERBTEC #174-1591 40A SS RELAY
61	2124498-3	1	ERBTEC BOARD	1	ERBTEC P450006 HIGH CURRENT PS BOARD
62	2124498-4	1	ERBTEC BOARD	1	ERBTEC P450007 LOW CURRENT PS BOARD
63	2124498-5	2	ERBTEC BOARD	1	ERBTEC P450011 MAGNET ROOM I/F BOARD
64	2124498-8	1	ERBTEC BOARD	1	ERBTEC P450193 ANALOG PROCESSOR BD
65	2124498-10	1	ERBTEC BOARD	1	ERBTEC P450003 1.5T COMM. MANAGER BD
66	2124498-11	1	ERBTEC BOARD	1	ERBTEC P450005 POWER SUPPLY BOARD
67	2124498-12	1	ERBTEC BOARD	1	ERBTEC P450158 DD T/R DRIVER BOARD
68	2124498-13	2	ERBTEC BOARD	1	ERBTEC P450012 RF CONTROLLER I/F BD
69	2124497-46	2	PART	1	CABLE, D-SUB, MRI SERIAL PORT
70	2124498-25	2	PART	1	FAN 4.7", 113 CFM
71	46-170021P81	1	FUSE	1	LITTELFUSE 323020, 20A,250V, 3AB
72	46-170021P100	2	FUSE	1	FUSE 25 AMPS 125 VOLTS 2 SECONDS
73	46-170021P73	1	FUSE	1	1/4A, 250V SLO-BLO FUSE.
74	46-170021P31	2	FUSE	1	1/2A, 250V SLO-BLO FUSE.
75	46-170021P14	1	FUSE	1	1.0A, 250V SLO-BLO FUSE.
76	46-170021P30	1	FUSE	1	2.0A, 250V SLO-BLO FUSE.
77	2160200-15	2	RF/PEN CAB	1	ERBTEC #3280007 7.5 A CKT BRKR FRU
78	2160200-16	2	RF/PEN CAB	1	ERBTEC #3280008 2.5 A CKT BRKR FRU
79	2160200-17	2	RF/PEN CAB	1	ERBTEC #3280009 15 A CKT BRKR FRU
80	2160200-18	2	RF/PEN CAB	1	ERBTEC #32800010 10 A CKT BRKR FRU
81	2124498-43	2	PART	1	20AMP 3 POLE CIRCUIT BREAKER
82	2124498-33	2	PS MODULE	1	10 AMP CIRCUIT BREAKER
83	2160200-44	2	RF/PEN CAB	2	ERBTEC #510062 CAB COVER AIR FILTERS
84	2124498-34	2	PS MODULE	1	ERBTEC #510064 AIR FILTER

1.0T RF/PEN CABINET

2109930-2



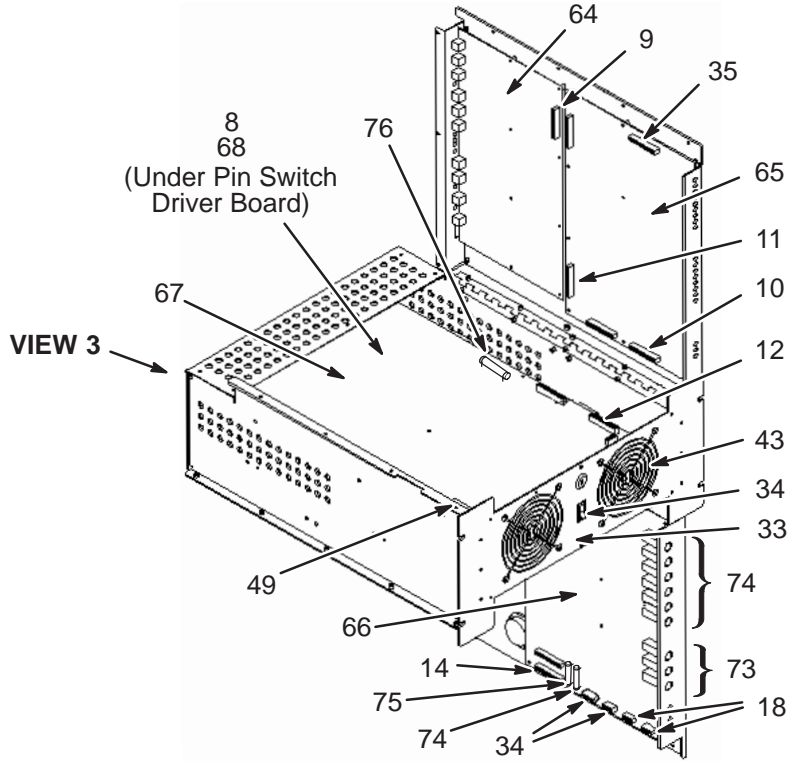
VIEW 1



VIEW 2

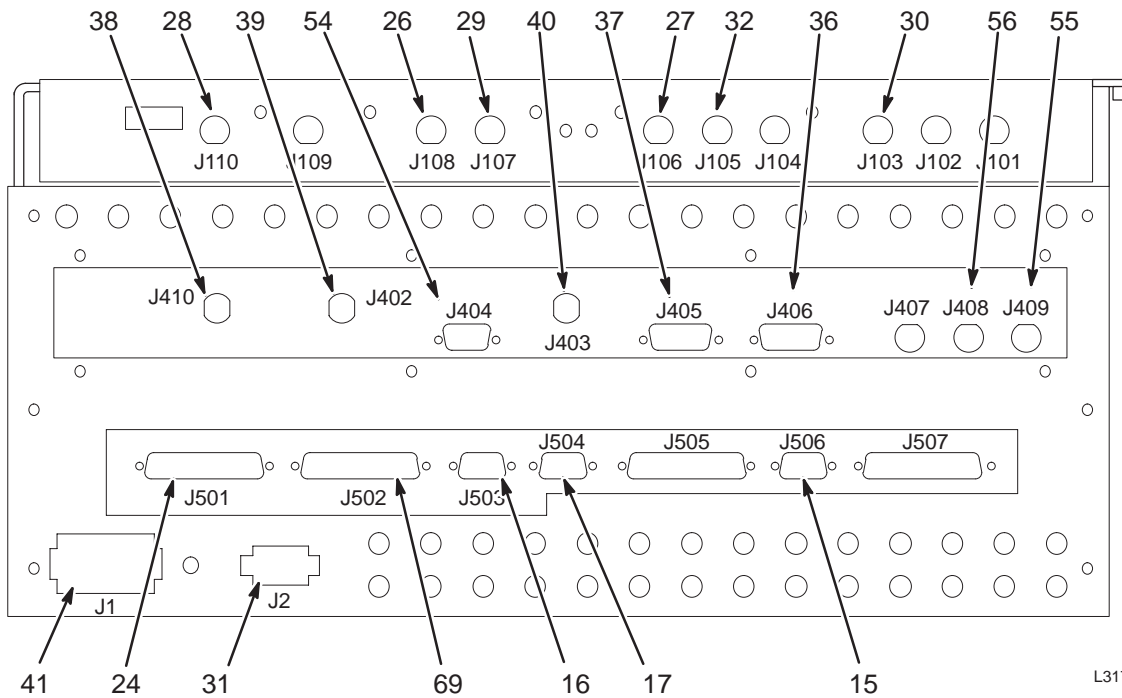
1.0T RF/PEN CABINET

2109930-2



L3177A

VIEW 3



L3177A

(CABLES CONNECTED TO RF SYSTEM CONTROLLER MODULE)

VIEW 4

1.0T RF AMP/PEN CAB ASM 2109930-2 FRU N (PART OF 1.0T 271000G SERIES – SECTION 1)

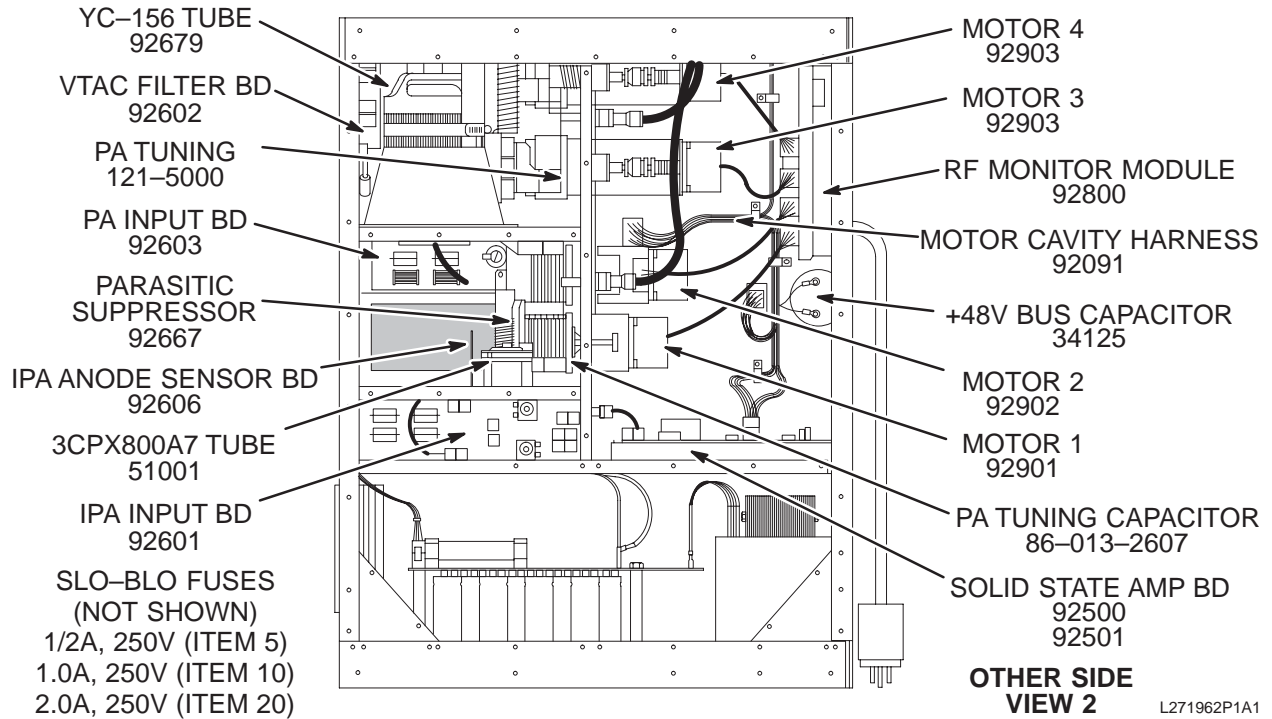
Item	Part Number	FRU	Name	Quantity	Description (Remarks)
1	2124498-15	2	PART	1	RF/PEN CABINET INTERFACE PANEL
2	46-328127P1	2	RF AMP SPEC	1	ERBTEC 1.0T RF AMPLIFIER (SEE PAGE 10-13)
3	46-328320P4	1	DUAL COUPLER	1	1.0T HEAD & BODY DIRECTIONAL COUPLER
4	2124498-2	2	MAGNETICS	1	SCAN/MAGNET ROOM TRANSFORMER
5	2124498-16	1	PART	1	LONGITUDINAL DRIVE POWER AMP BOARD
6	2124498-6	2	HARNESS	1	SCAN/MAGNET ROOM PS WIRING HARNESS
7	2124497-25	2	PART	1	CABLE, ASM, MEPS FAN HARNESS
8	2124497	2	HARNESS	1	RFSC INTERNAL WIRING HARNESS
9	2124497-2	2	RIBBON CABLE	1	CABLE, ASM, RIBBON, 40 PIN
10	2124497-3	2	RIBBON CABLE	1	CABLE, ASM, RIBBON, 50 PIN
11	2124497-4	2	RIBBON CABLE	1	CABLE, ASM, RIBBON, 40 PIN
12	2124497-5	2	RIBBON CABLE	1	CABLE, ASM, RIBBON, 40 PIN
13	2124498	N	PS MODULE	1	SCAN/MAGNET ROOM POWER SUPPLY MODULE
14	2124497-6	2	RIBBON CABLE	1	CABLE, ASM, RIBBON, 40 PIN
15	2124497-7	2	D-SUB CONN	1	CABLE D-SUB, 9 PIN, M/F
16	2124497-8	2	D-SUB CONN	1	CABLE D-SUB, 9 PIN, M/F
17	2124497-9	2	D-SUB CONN	1	CABLE D-SUB, 9 PIN, M/F
18	2124497-26	2	PART	1	CABLE, HARNESS, RFSC, INTERNAL AC
19	2124497-27	2	PART	1	CABLE, HARNESS, MEPS RELAY
20	2124497-28	2	PART	1	CABLE, HARNESS, MEPS DUPLEX
21	2124497-29	2	PART	1	CABLE, HARNESS, MEPS AC PLUG
22	2124497-30	2	PART	1	CABLE, MEPS CIRCUIT BREAKERS, RED
23	2124497-31	2	PART	1	ERBTEC #450039 RF AMP POWER CORD FRU
24	2124497-32	2	PART	1	CABLE, D-SUB, 25PIN M/F
25	2124497-33	2	PART	1	CABLE, D-SUB, 25PIN M/F
26	2124497-11	2	COAXIAL	1	COAXIAL CABLE, RG223, BNC M
27	2124497-34	2	PART	1	CABLE, COAXIAL, RG223 BNC (M/M)
28	2124497-12	2	COAXIAL	1	COAXIAL CABLE, RG223, BNC M, BODY
29	2124497-35	2	PART	1	CABLE, COAXIAL, RG223 BNC (M/M)
30	2124497-13	2	COAXIAL	1	COAXIAL CABLE, RG223, BNC M, RF OUT
31	2124497-36	2	PART	1	CABLE, HARNESS
32	2124497-14	2	COAXIAL	1	COAXIAL CABLE, RG223, BNC M, RF IN
33	2124497-15	2	HARNESS, FAN	1	CABLE, FAN HARNESS
34	2124497-16	2	HARNESS	1	KEY SWITCH HARNESS
35	2124497-17	2	RIBBON CABLE	1	RIBBON CABLE, 40 PIN, SIGNAL CMPWR
36	2124497-18	2	CABLE	1	CABLE, D-SUB, 9 PIN, M/F, MULTI-COIL
37	2124497-19	2	CABLE	1	DSUB CBL, 9PIN, M/F, MULTI-COIL BIAS
38	2124497-20	2	CABLE,BULKHD	1	BULKHEAD CABLE, F/BNC,M, DYNDIS DRV1
39	2124497-21	2	CABLE,BULKHD	1	BULKHEAD CABLE, F/BNC,M, DYNDIS DRV2
40	2124497-22	2	CABLE,BULKHD	1	BULKHEAD CABLE, F/BNC,M, DYNDIS DRV3
41	2124497-24	2	HARNESS	1	WIRING HARNESS, RFSC PWR DISTRIB
42	2124498-14	2	SCM PLUG	1	SCM DEFEATER PLUG ASM
43	2124498-17	2	PART	1	RF SYSTEM CONTROLLER FAN
44	2124498-18	2	PART	1	MEPS FAN
45	2124498-19	2	PART	1	SLIDE, 26"

Parts List Continued On Next Page

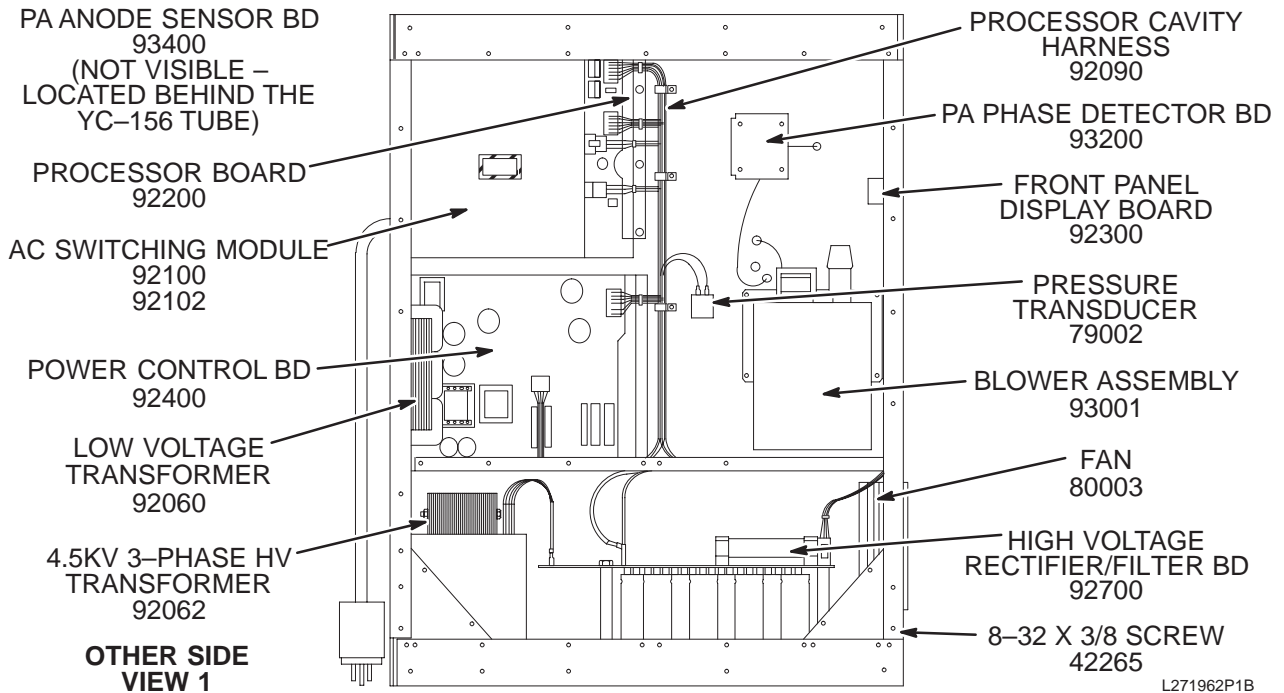
1.0T RF/PEN CABINET 2109930-2 FRU N (CONTINUED FROM PREVIOUS PAGE)

Item	Part Number	FRU	Name	Quantity	Description (Remarks)
46	2124498-20	2	PART	1	FRONT COVER
47	2124498-21	2	PART	1	LATCH, FRONT DOOR
48	2124498-22	2	PART	1	CABLE CLAMP
49	2124497-38	2	PART	1	CABLE, RFSC HIGH VOLTAGE INTERLOCK
51	2124497-40	2	PART	1	CABLE, MEPS CIRCUIT BREAKER, BLK
52	2124497-41	2	PART	1	CABLE, HARNESS, MEPS LOAD RESISTOR
53	2124497-42	2	PART	1	ERBTEC #450142 SPECTRO AMP PWR CORD
54	2124497-43	2	PART	1	CABLE, D-SUB, 15PIN, M/F
55	2124497-44	2	PART	1	CABLE, COAXIAL, RG223, BNC (M/M)
56	2124497-45	2	PART	1	CABLE, COAXIAL, RG223, BNC (M/M)
60	2124498-35	2	PS MODULE	1	ERBTEC #174-1591 40A SS RELAY
61	2124498-3	1	ERBTEC BOARD	1	ERBTEC P450006 HIGH CURRENT PS BOARD
62	2124498-4	1	ERBTEC BOARD	1	ERBTEC P450007 LOW CURRENT PS BOARD
63	2124498-5	2	ERBTEC BOARD	1	ERBTEC P450011 MAGNET ROOM I/F BOARD
64	2124498-8	1	ERBTEC BOARD	1	ERBTEC P450193 ANALOG PROCESSOR BD
65	2124498-9	1	ERBTEC BOARD	1	ERBTEC P450027 1.0T COMM. MANAGER BD
66	2124498-11	1	ERBTEC BOARD	1	ERBTEC P450005 POWER SUPPLY BOARD
67	2124498-12	1	ERBTEC BOARD	1	ERBTEC P450158 DD T/R DRIVER BOARD
68	2124498-13	2	ERBTEC BOARD	1	ERBTEC P450012 RF CONTROLLER I/F BD
69	2124497-46	2	PART	1	CABLE, D-SUB, MRI SERIAL PORT
70	2124498-25	2	PART	1	FAN 4.7", 113 CFM
71	46-170021P81	1	FUSE	1	LITTELFUSE 323020, 20A,250V, 3AB
72	46-170021P100	2	FUSE	1	FUSE 25 AMPS 125 VOLTS 2 SECONDS
73	46-170021P73	1	FUSE	1	1/4A, 250V SLO-BLO FUSE.
74	46-170021P31	2	FUSE	1	1/2A, 250V SLO-BLO FUSE.
75	46-170021P14	1	FUSE	1	1.0A, 250V SLO-BLO FUSE.
76	46-170021P30	1	FUSE	1	2.0A, 250V SLO-BLO FUSE.
77	2160200-15	2	RF/PEN CAB	1	ERBTEC #328-0007 7.5 A CKT BRKR FRU
78	2160200-16	2	RF/PEN CAB	1	ERBTEC #328-0008 2.5 A CKT BRKR FRU
79	2160200-17	2	RF/PEN CAB	1	ERBTEC #328-0009 15 A CKT BRKR FRU
80	2160200-18	2	RF/PEN CAB	1	ERBTEC #328-0010 10 A CKT BRKR FRU
81	2124498-43	2	PART	1	20AMP 3 POLE CIRCUIT BREAKER
82	2160200-44	2	RF/PEN CAB	2	ERBTEC #510062 CAB COVER AIR FILTERS
83	2124498-34	2	PS MODULE	1	ERBTEC #510064 AIR FILTER

1.5T ERBTEC FRU'S IN 46-271962P1



VIEW 1



VIEW 2

1.5T ERBTEC FRU'S

46-271962P1 FRU N

(PART OF 2109930 PAGE 10-4)
(PART OF 2160200 PAGE 10-17)

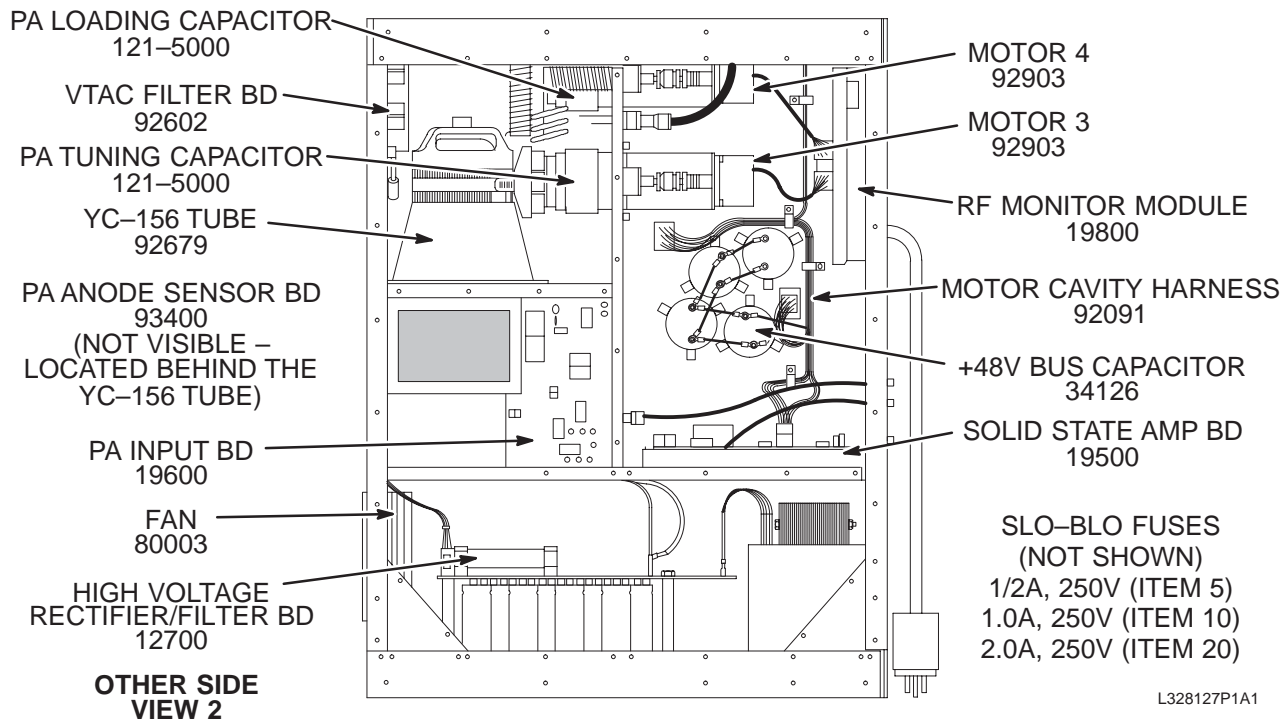
Item	Part Number	FRU	Name	Quantity	Description (Remarks)
5	46-170021P31	2	FUSE	AR	1/2A, 250V SLO-BLO FUSE.
10	46-170021P14	2	FUSE	AR	1.0A, 250V SLO-BLO FUSE.
20	46-170021P30	2	FUSE	AR	2.0A, 250V SLO-BLO FUSE.
22589	46-305000P33	N	ERBTEC FRU	2	ERBTEC 122-2589 USE 46-305000P32 CAP
22592	46-305000P32	N	ERBTEC PART	4	USE 46-305000P57 (TESTED CAPACITOR)
23070	46-305000P57	2	ERBTEC FRU	AR	ERBTEC 231070 CAPACITOR, TESTED
34125	46-305000P25	2	ERBTEC FRU	1	ERBTEC 125-4125 50,000 MFD CAPACITOR
42265	46-305000P58	2	ERBTEC SCREW	AR	ERBTEC 215-2265 8-32 X 3/8 SCREW
51001	46-305000P3	1	ERBTEC FRU	1	ERBTEC 176-1001 3CPX800A7 TUBE
79002	46-305000P27	2	ERBTEC FRU	1	ERBTEC 319-9002 PRESSURE TRANSDUCER
80003	46-305000P11	2	ERBTEC FRU	2	ERBTEC 326-0003 FAN
92060	46-305000P12	2	ERBTEC FRU	1	ERBTEC 86-013-2060 LOW VOLTAGE XMFR.
92062	46-305000P13	2	ERBTEC FRU	1	ERBTEC 86-013-2062 4.5KVA HV XFMR.
92090	46-305000P14	2	ERBTEC FRU	1	ERBTEC 86-013-2090 PROCESSOR HARNESS
92091	46-305000P15	2	ERBTEC FRU	1	ERBTEC 86-013-2091 MOTOR HARNESS
92100	46-305000P7	N	ERBTEC FRU	1	ERBTEC 86-013-2100 USE 46-305000P30
92102	46-305000P30	1	ERBTEC FRU	1	ERBTEC 86-013-2102 AC SWITCHING MOD.
92200	46-305000P4	1	ERBTEC FRU	1	ERBTEC 86-013-2200 PROCESSOR BOARD (SEE NOTE1)
92300	46-305000P16	2	ERBTEC FRU	1	ERBTEC 86-013-2300 FRONT DISPLAY BD
92400	46-305000P2	1	ERBTEC FRU	1	ERBTEC 86-013-2400 POWER CONTROL BD
92500	46-305000P5	N	ERBTEC FRU	1	ERBTEC 86-013-2500 USE 46-305000P31
92501	46-305000P31	1	ERBTEC FRU	1	ERBTEC 86-013-2501 SOLID STATE AMP.
92601	46-305000P8	1	ERBTEC FRU	1	ERBTEC 86-013-2601 IPA INPUT BOARD
92602	46-305000P17	1	ERBTEC FRU	2	ERBTEC 86-013-2602 VTAC FILTER BOARD
92603	46-305000P18	1	ERBTEC FRU	1	ERBTEC 86-013-2603 PA INPUT BOARD
92606	46-305000P20	2	ERBTEC FRU	1	ERBTEC 86-013-2606 IPA ANODE SENSOR
92667	46-305000P21	2	ERBTEC FRU	1	ERBTEC 86-013-2667 PARASITIC ASSEMB.
92679	46-305000P1	1	ERBTEC FRU	1	ERBTEC 86-013-2679 YC-156 TUBE
92700	46-305000P6	1	ERBTEC FRU	1	ERBTEC 86-013-2700 HV RECT/FILTER BD
92800	46-305000P9	1	ERBTEC FRU	1	ERBTEC 86-013-2800 RF MONITOR MODULE
92901	46-305000P22	2	ERBTEC FRU	1	ERBTEC 86-013-2901 MOTOR 1 ASSEMBLY
92902	46-305000P23	2	ERBTEC FRU	1	ERBTEC 86-013-2902 MOTOR 2 ASSEMBLY
92903	46-305000P10	2	ERBTEC FRU	2	ERBTEC 86-013-2903 MOTOR 3 & 4 ASM.
93001	46-305000P24	1	ERBTEC FRU	1	ERBTEC 86-013-3001 BLOWER ASSEMBLY
93200	46-305000P19	1	ERBTEC FRU	1	ERBTEC 86-013-3200 PA PHASE DETECT
93400	46-305000P29	1	ERBTEC FRU	1	ERBTEC 86-013-3400 PA ANODE SENSE BD



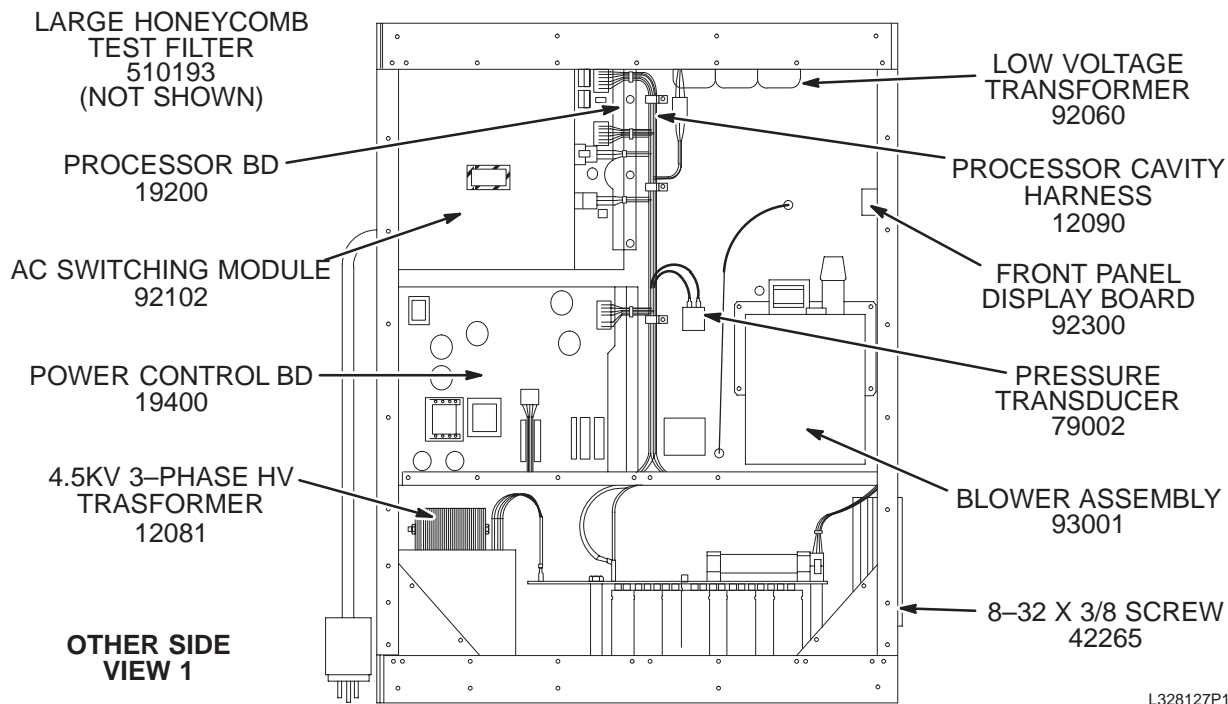
Static protection procedure must be followed for the next step. Do not bend the leads of the IC since it must be re-installed in the replacement unit.

- Carefully remove U16 chip (68HC11) and U17 chip (EPROM) from its sockets by gently prying up both ends simultaneously (use an IC removing tool if possible). Protect and set aside for replacement in new Processor Board.

1.0T ERBTEC FRU'S IN 46-328127P1



VIEW 1



VIEW 2

1.0T ERBTEC FRU'S

46-328127P1 FRU N

(PART OF 2109930-2 PAGE 10-8)

(PART OF 2160200-3 PAGE 10-18)

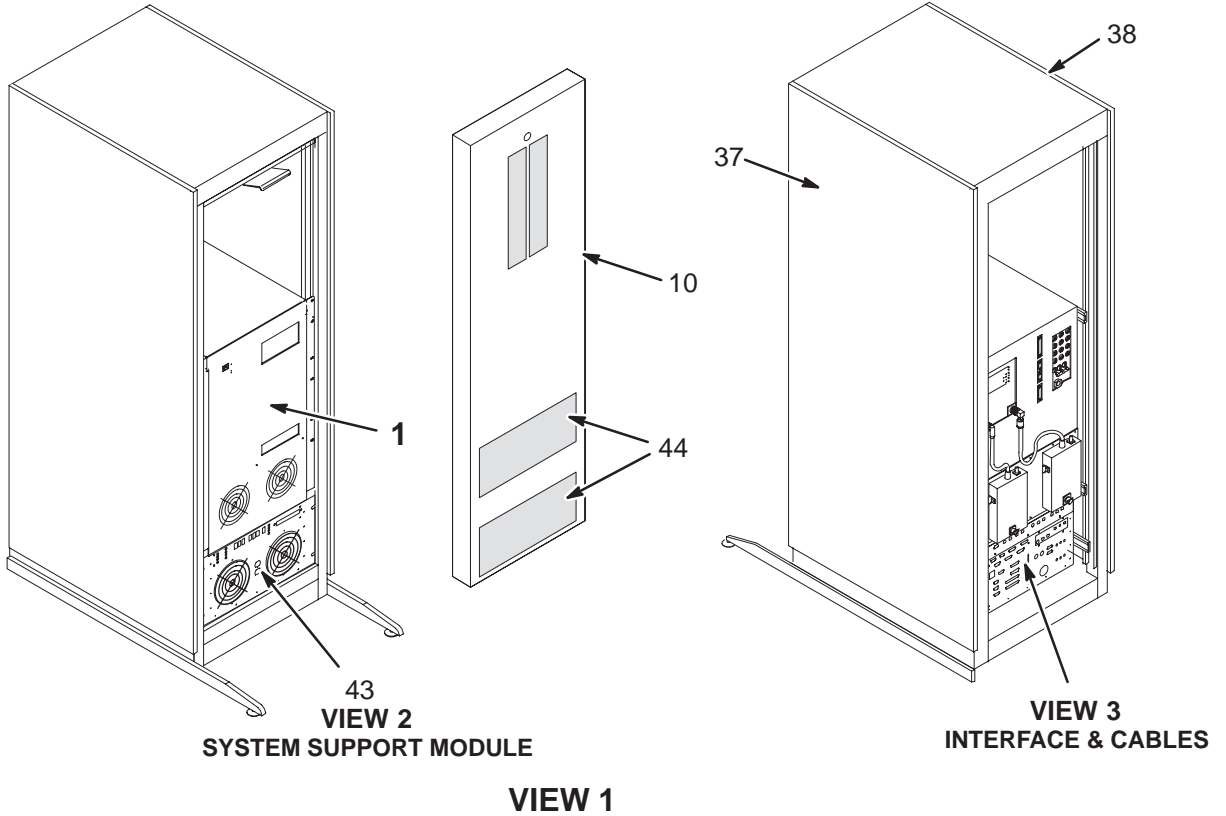
Item	Part Number	FRU	Name	Quantity	Description (Remarks)
5	46-170021P31	2	FUSE	AR	1/2A, 250V SLO-BLO FUSE.
10	46-170021P14	2	FUSE	AR	1.0A, 250V SLO-BLO FUSE.
20	46-170021P30	2	FUSE	AR	2.0A, 250V SLO-BLO FUSE.
12081	46-305000P39	2	ERBTEC FRU	1	ERBTEC 232081 4.5KVA HV TRANSFORMER
12090	46-305000P40	2	ERBTEC FRU	1	ERBTEC 232090 PROCESS CAVITY HARNESS
12700	46-305000P37	1	ERBTEC FRU	1	ERBTEC 232700 HV RECTIFIER/FILTER BD
19200	46-305000P46	1	ERBTEC FRU	1	ERBTEC 392200 PROCESSOR BOARD ASM
19400	46-305000P47	1	ERBTEC FRU	1	ERBTEC 392400 POWER CONTROL BD ASM
19500	46-305000P41	1	ERBTEC FRU	1	ERBTEC 392500 SOLID STATE AMP BD
19600	46-305000P42	1	ERBTEC FRU	1	ERBTEC 392600 PA INPUT BOARD
19800	46-305000P43	1	ERBTEC FRU	1	ERBTEC 392800 RF MONITOR MODULE
34126	46-305000P44	1	ERBTEC FRU	4	ERBTEC 125-4126 50,000 UF CAPACITOR
42265	46-305000P58	2	ERBTEC SCREW	AR	ERBTEC 215-2265 8-32 X 3/8 SCREW
79002	46-305000P27	2	ERBTEC FRU	1	ERBTEC 319-9002 PRESSURE TRANSDUCER
80003	46-305000P11	2	ERBTEC FRU	2	ERBTEC 326-0003 FAN
92060	46-305000P12	2	ERBTEC FRU	1	ERBTEC 86-013-2060 LOW VOLTAGE XMFR.
92091	46-305000P15	2	ERBTEC FRU	1	ERBTEC 86-013-2091 MOTOR HARNESS
92102	46-305000P30	1	ERBTEC FRU	1	ERBTEC 86-013-2102 AC SWITCHING MOD.
92300	46-305000P16	2	ERBTEC FRU	1	ERBTEC 86-013-2300 FRONT DISPLAY BD
92602	46-305000P17	1	ERBTEC FRU	2	ERBTEC 86-013-2602 VTAC FILTER BOARD
92679	46-305000P1	1	ERBTEC FRU	1	ERBTEC 86-013-2679 YC-156 TUBE
92903	46-305000P10	2	ERBTEC FRU	2	ERBTEC 86-013-2903 MOTOR 3 & 4 ASM.
93001	46-305000P24	1	ERBTEC FRU	1	ERBTEC 86-013-3001 BLOWER ASSEMBLY
93400	46-305000P29	1	ERBTEC FRU	1	ERBTEC 86-013-3400 PA ANODE SENSE BD
	46-305000P59	1	ERBTEC FRU	1	ERBTEC #121-5100 PA TUNING CAPACITOR
	46-305000P60	1	ERBTEC FRU	1	ERBTEC #121-5100 PA LOADING CAPACITOR
	46-305000P62	1	ERBTEC FRU	1	ERBTEC #510193 LARGE HONEYCOMB TEST FILTER

10-2 RF/PENETRATION II CABINET

1.5T & 1.0T RF/PEN II CABINET

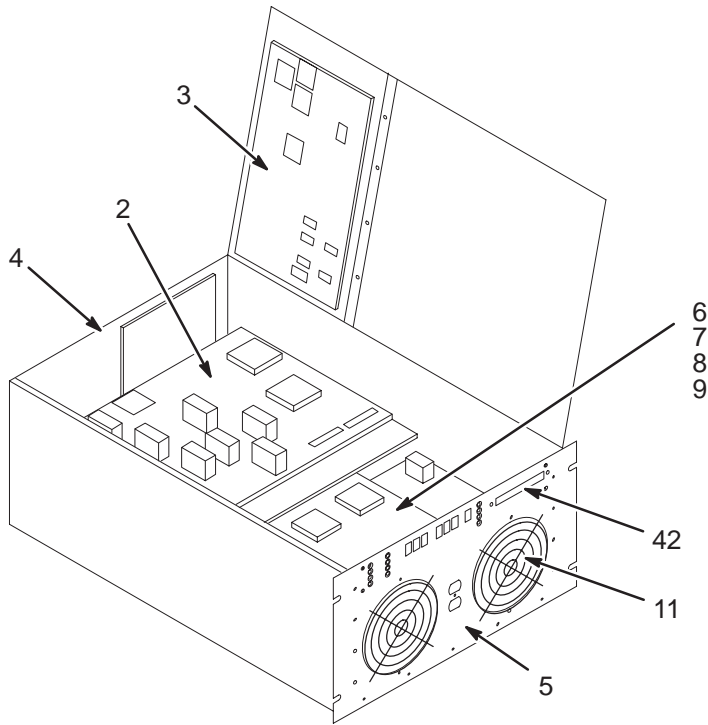
2160200 & 2160200-3

MR1



**CABLES LOCATED IN
SYSTEM SUPPORT MODULE**

- 16
- 17
- 18
- 19
- 20
- 21
- 22
- 23
- 24
- 25
- 39
- 40
- 41

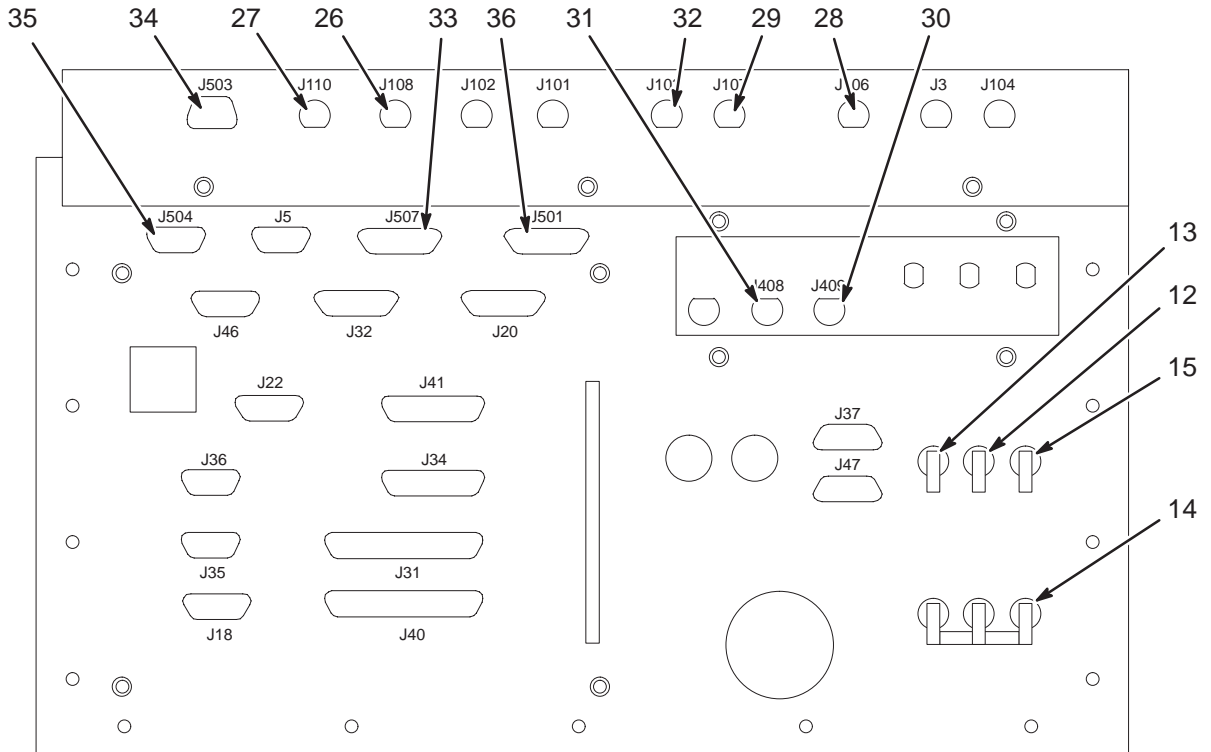


VIEW 2

1.5T & 1.0T RF/PEN II CABINET

2160200 & 2160200-3

MR1



VIEW 3

1.0T RF/PEN II CABINET 2160200-3 FRU N (PART OF 271000G SERIES – SECTION 1)

Item	Part Number	FRU	Name	Quantity	Description (Remarks)
1	46-328127P1	1	RF AMP SPEC	1	ERBTEC 1.0T RF AMPLIFIER (SEE PAGE 10-13)
2	2160200-5	1	RF/PEN CAB	1	ERBTEC #550015 CPD MODULE FRU
3	2160200-6	1	RF/PEN CAB	1	ERBTEC #550013 APM MODULE FRU
4	2160200-7	1	RF/PEN CAB	1	ERBTEC #550016 REAR PANEL ASM FRU
5	2160200-8	1	RF/PEN CAB	1	ERBTEC #550017 FRONT PANEL ASM FRU
6	2160200-9	1	RF/PEN CAB	1	ERBTEC #550014 PWR SUPPLY (3 BD) FRU
7	2160200-10	2	RF/PEN CAB	1	ERBTEC #550025 HV PWR SUPPLY BD FRU
8	2160200-11	2	RF/PEN CAB	1	ERBTEC #550027 DOCK/LIGHT PS BD FRU
9	2160200-12	2	RF/PEN CAB	1	ERBTEC #550028 BUCK BOOST PS BD FRU
10	2160200-13	2	RF/PEN CAB	1	ERBTEC #550024 FRT DOOR/SL LATCH FRU
11	2160200-14	2	RF/PEN CAB	1	ERBTEC #3260009 FAN FRU
12	2160200-15	2	RF/PEN CAB	1	ERBTEC #3280007 7.5 A CKT BRKR FRU
13	2160200-16	2	RF/PEN CAB	1	ERBTEC #3280008 2.5 A CKT BRKR FRU
14	2160200-17	2	RF/PEN CAB	1	ERBTEC #3280009 15 A CKT BRKR FRU
15	2160200-18	2	RF/PEN CAB	1	ERBTEC #3280010 10 A CKT BRKR FRU
16	2160200-19	2	RF/PEN CAB	1	ERBTEC #550009 SSM HARNESS FRU
17	2124497-31	2	PART	1	ERBTEC #450039 RF AMP POWER CORD FRU
18	2124497-42	2	PART	1	ERBTEC #450142 SPECTRO AMP PWR CORD
19	2160200-20	2	RF/PEN CAB	1	ERBTEC #550039 DOCK/REAR I/F CABLE
20	2160200-21	2	RF/PEN CAB	1	ERBTEC #550047 DOCK/REAR I/F RIBBON
21	2160200-22	2	RF/PEN CAB	1	ERBTEC #550018 RIBBON CABLE FRU
22	2160200-23	2	RF/PEN CAB	1	ERBTEC #550019 DISPLAY RIB'N CBL FRU
23	2160200-25	2	RF/PEN CAB	1	ERBTEC #550010 HV POWER CABLE FRU
24	2160200-26	2	RF/PEN CAB	1	ERBTEC #550011 HIGH CURRENT CBL FRU
25	2160200-27	2	RF/PEN CAB	1	ERBTEC #550012 LOW VOLT PWR CBL FRU
26	2160200-28	2	RF/PEN CAB	1	ERBTEC #550041 HEAD A CABLE FRU
27	2160200-29	2	RF/PEN CAB	1	ERBTEC #550040 BODY A CABLE FRU
28	2160200-30	2	RF/PEN CAB	1	ERBTEC #550042 HEAD B CABLE FRU
29	2160200-31	2	RF/PEN CAB	1	ERBTEC #550044 BODY B CABLE FRU
30	2160200-32	2	RF/PEN CAB	1	ERBTEC #550045 HEAD T/R BIAS FRU
31	2160200-33	2	RF/PEN CAB	1	ERBTEC #550046 BODY T/R BIAS FRU
32	2160200-34	2	RF/PEN CAB	1	ERBTEC #550043 RF OUT CABLE ASM FRU
33	2160200-35	2	RF/PEN CAB	1	ERBTEC #550054 25PIN SUBD NB CBL FRU
34	2160200-36	2	RF/PEN CAB	1	ERBTEC #550055 9PIN SUBD MONITOR FRU
35	2160200-37	2	RF/PEN CAB	1	ERBTEC #550056 9PIN SUBD PCM CBL FRU
36	46-320252P1	2	TEST CABLE	1	RF AMPLIFIER SERIAL PORT INTERFACE
37	2124498-31	2	PS MODULE	1	RT SIDE CABINET PANEL, ERBTEC #510231
38	2124498-32	2	PS MODULE	1	LEFT SIDE CAB PANEL, ERBTEC #510231
39	2160200-39	2	RF/PEN CAB	1	ERBTEC #550031 BUCK/HVPS CABLE
40	2160200-40	2	RF/PEN CAB	1	ERBTEC #550032 BUCK/DOCK CABLE
41	2160200-41	2	RF/PEN CAB	1	ERBTEC #550033 LOW CURRENT CABLE
42	2160200-42	2	RF/PEN CAB	1	ERBTEC #510199 SSM LED COVER
43	2160200-43	2	RF/PEN CAB	1	ERBTEC #550020 SYSTEM SUPPORT MODULE
44	2160200-44	2	RF/PEN CAB	1	ERBTEC #510062 CAB COVER AIR FILTERS