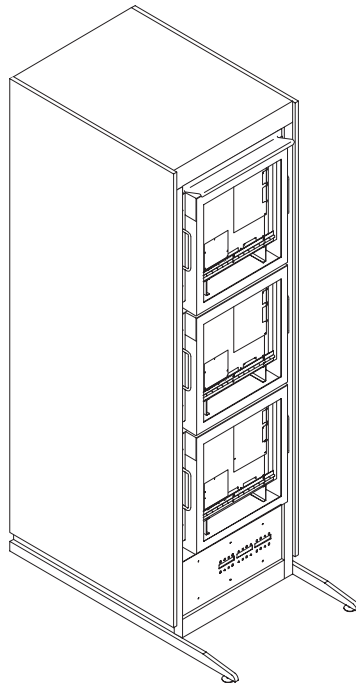


SECTION 12- GRAM CABINET

TABLE OF CONTENTS



<u>SECTION</u>	<u>PAGE</u>
12-1 GRAM CABINET	12-2
Contains information on GRAM Cabinet	

12-1 GRAM CABINET

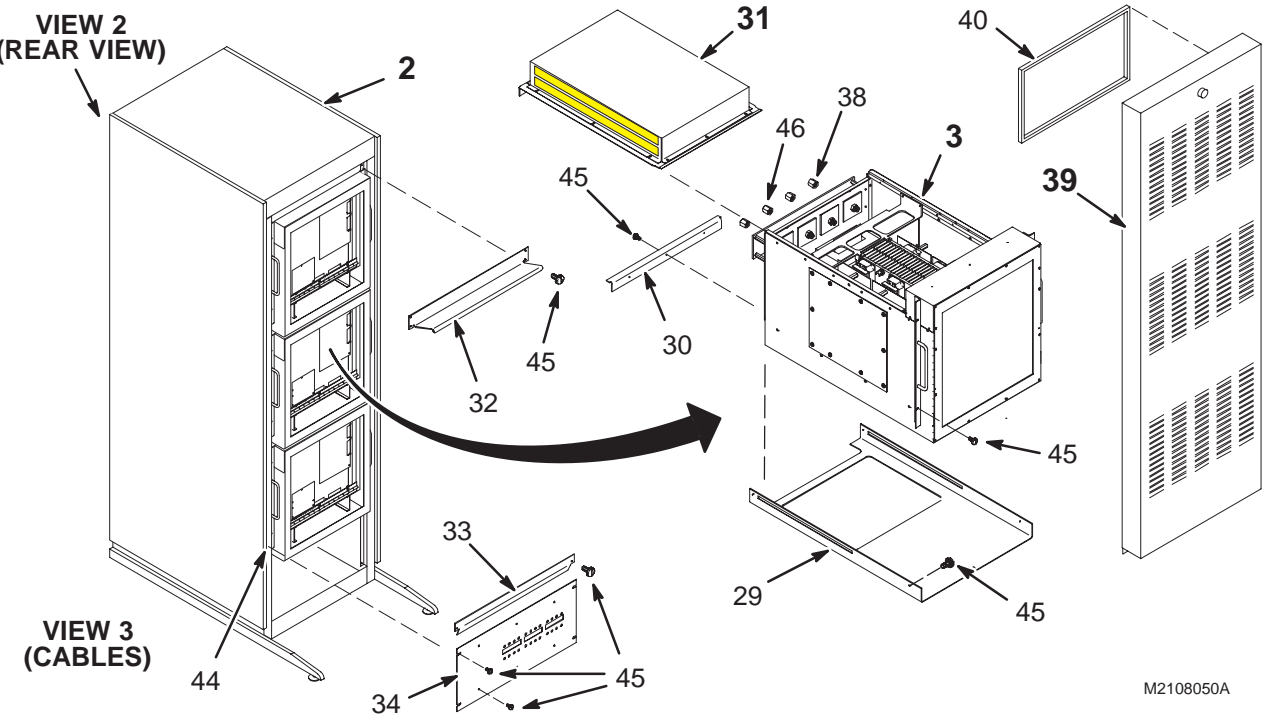
GRAM CABINET

2108050

MR7

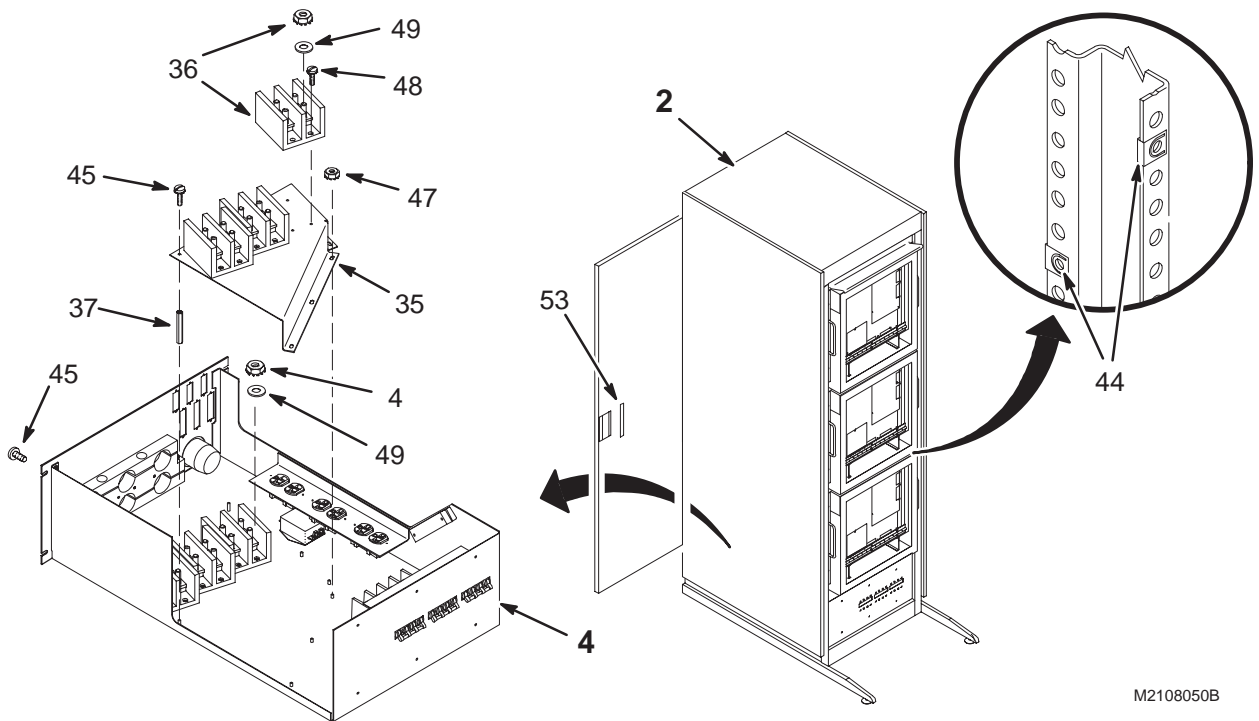
VIEW 2
(REAR VIEW)

VIEW 3
(CABLES)



M2108050A

VIEW 1



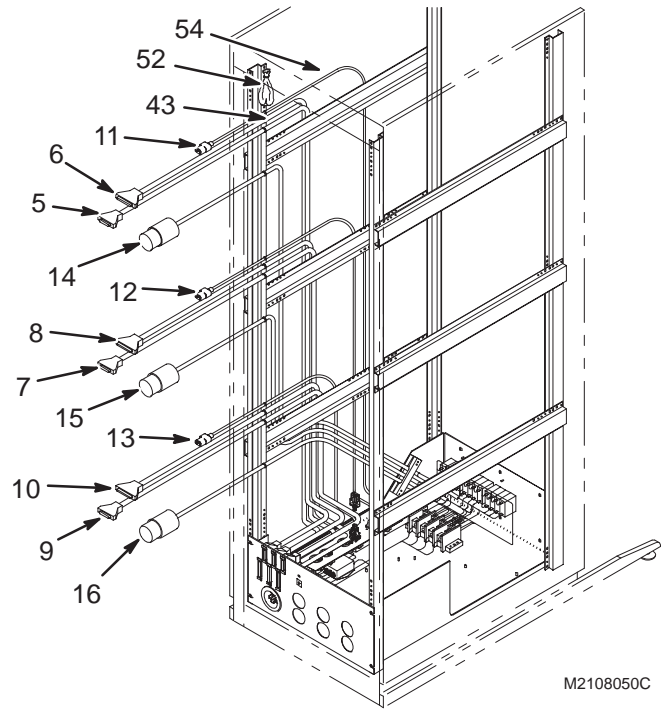
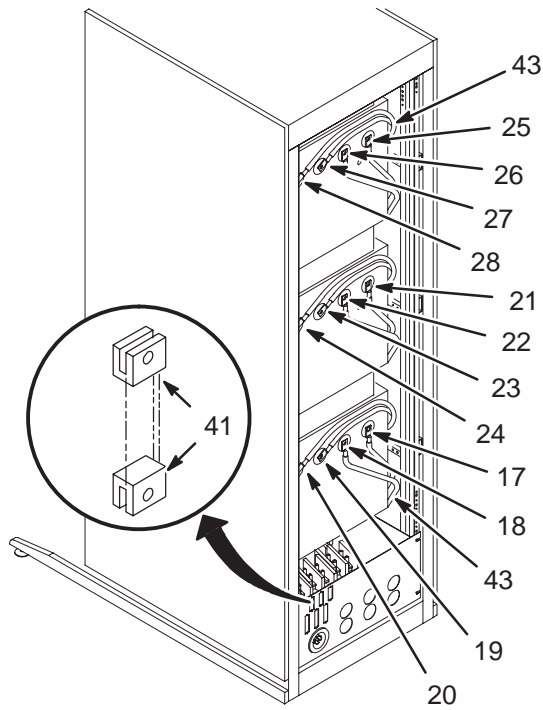
M2108050B

VIEW 2

GRAM CABINET

2108050

MR7

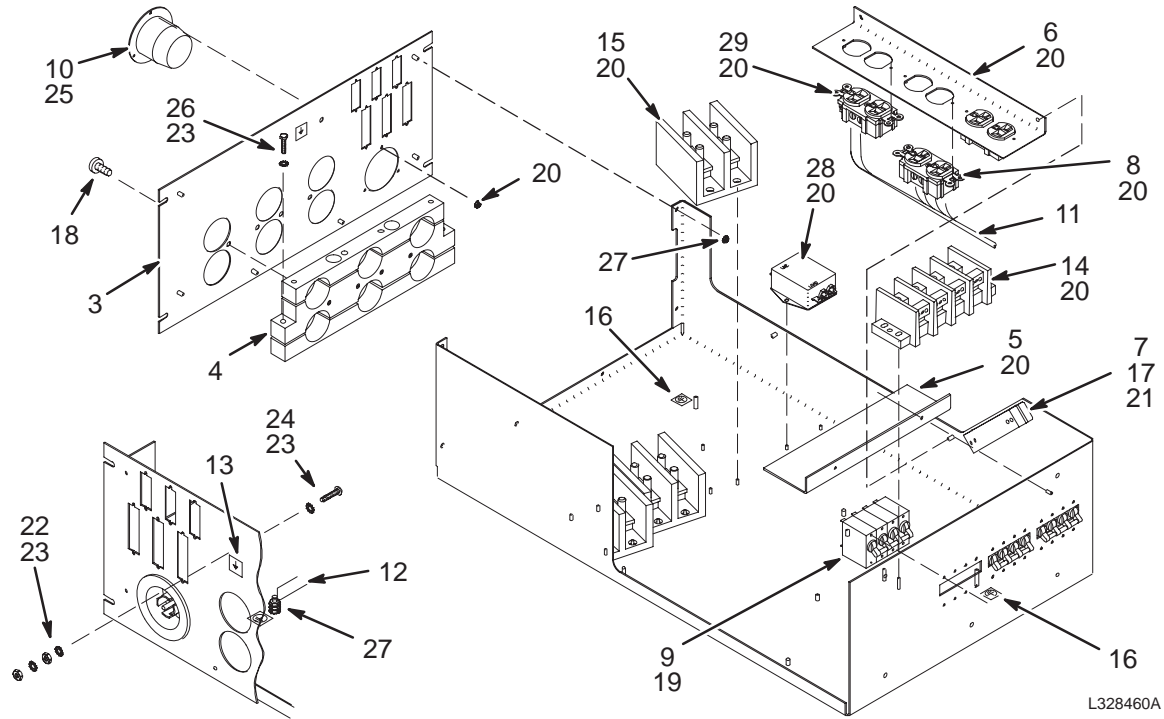


M2108050C

VIEW 3

INTERFACE PANEL

46-328460G1



INTERFACE PANEL

46-328460G1

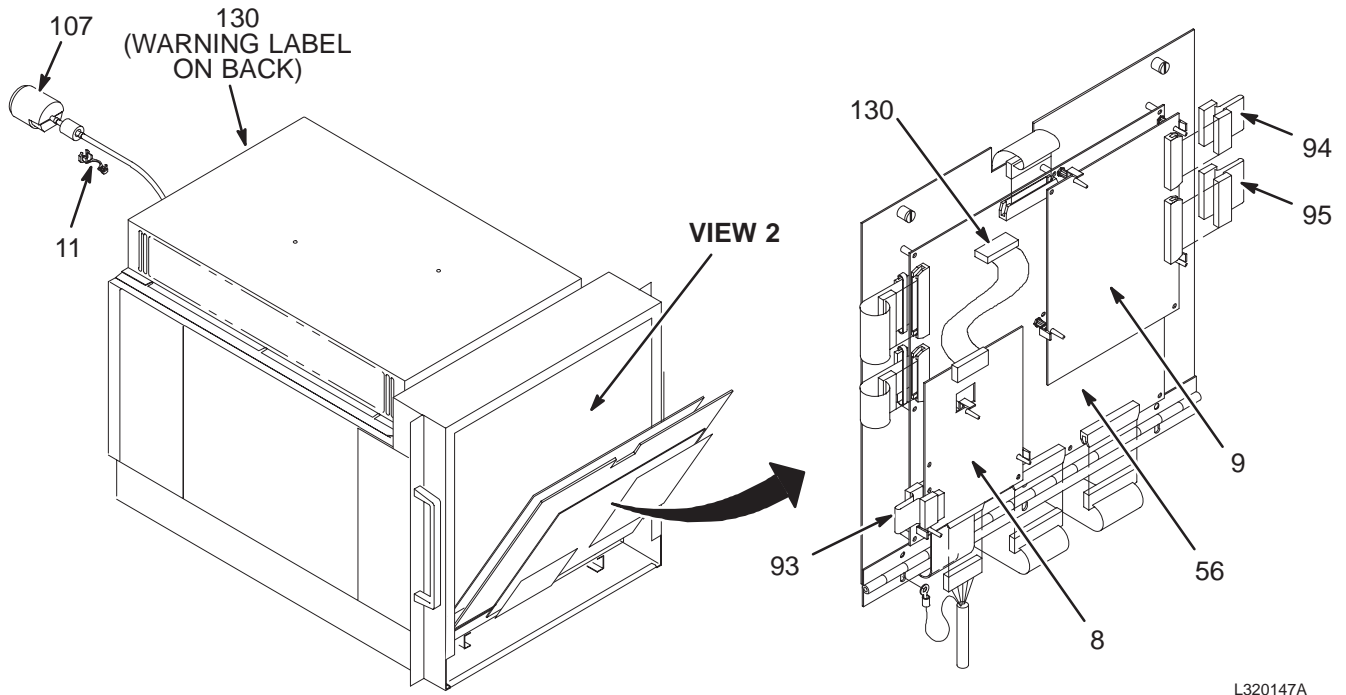
FRU N

(PART OF 2108050 PAGE 12-4)

Item	Part Number	FRU	Name	Quantity	Description (Remarks)
3	46-320652P1	2	PLATE, REAR	1	GRAM CABINET INTERFACE PANEL
4	46-320659P1	2	CABLE CLAMP	1	GRAM INPUT & OUTPUT 6-CABLE CLAMP
5	46-320656P1	2	COVER	1	TERMINAL BLOCK SHIELD 3" X 10" LEXAN
6	46-320655P1	2	OUTLET PANEL	1	POWER OUTLETS J14, J15, J16, SERVICE
7	46-243811P1	2	CABLE CLAMP	1	CABINET CABLE 2-PIECE CLAMP, 4 HOLES
8	46-287941P1	2	RECEPTACLE	2	20 AMP, 125V, DUPLEX RECEPTACLE,
9	46-271382P28	2	CIRCUIT BKR	3	CIRCUIT BREAKER 10 AMPS 250 VOLTS 65
10	46-317671P1	2	RECEPT,MALE	1	FLANGED INLET, 30A, 120/208 3-PHASE
11	46-320077G1	2	HARNESS	1	DISTRIBUTION BLOCK - CIRCUIT BREAKER
12	2109432	2	WIRE LEADS	1	SET OF TWELVE WIRES FOR GRAM PWR MOD
13	46-271110P5	2	LABEL	1	EQUIPOTENTIALITY
14	2111379	2	TERMINAL BLK	1	POWER DISTRIBUTION TERMINAL BLOCK
15	2111378	2	TERMINAL BLK	3	BARRIER TERMINAL BLOCK 4-STUD W/NUTS
16	46-271110P1	2	LABEL	2	PROTECTIVE EARTH (GROUND)
17	46-170015P6	2	SCR,SEMS	2	10-32 X 1/2 LG BIND HD STL EXT TOOTH
18	46-170015P7	2	SCR,SEMS	4	1/4-20 X 5/8" BIND HD STL EXT TOOTH
19	46-170015P10	2	SCR,SEMS	24	6-32 X 1/4" LG BIND HD STL EXT TOOTH
20	46-170012P35	2	NUT,LOCK	29	6-32, 1/4" HEX KEPS NUT, 3/32 THICK
21	46-170015P22	2	SCR,SEMS	2	10-32 X 7/8 LG BIND HD STL EXT TOOTH
22	46-208935P8	2	NUT,HEX,MS	2	1/4-20, 7/16" HEX X 3/16 THK, BRASS
23	46-208599P5	2	WASHER,LOCK	11	1/4" SCREW SIZE EXTERNAL TOOTH STEEL
24	46-220184P54	2	SCREW MACH	1	1/4-20 X 1" LG, RND HD SLOT, BRASS
25	46-170015P27	2	SCR,SEMS	3	6-32 X 1/2" LG BIND HD STL EXT TOOTH
26	46-208561P24	2	SCREW,CAP	8	1/4-20 X 1-1/2 LG HEX HD STL GRADE 5
27	46-170012P39	2	NUT,LOCK	14	10-32, 3/8" HEX KEPS NUT, 1/8" THICK
28	2118478	2	FILTER	1	AC LINE FILTER, 10A, ISOLATED GROUND
29	2118597	2	OUTLET	1	15A, 125V, DUPLEX, ISOLATED GROUND

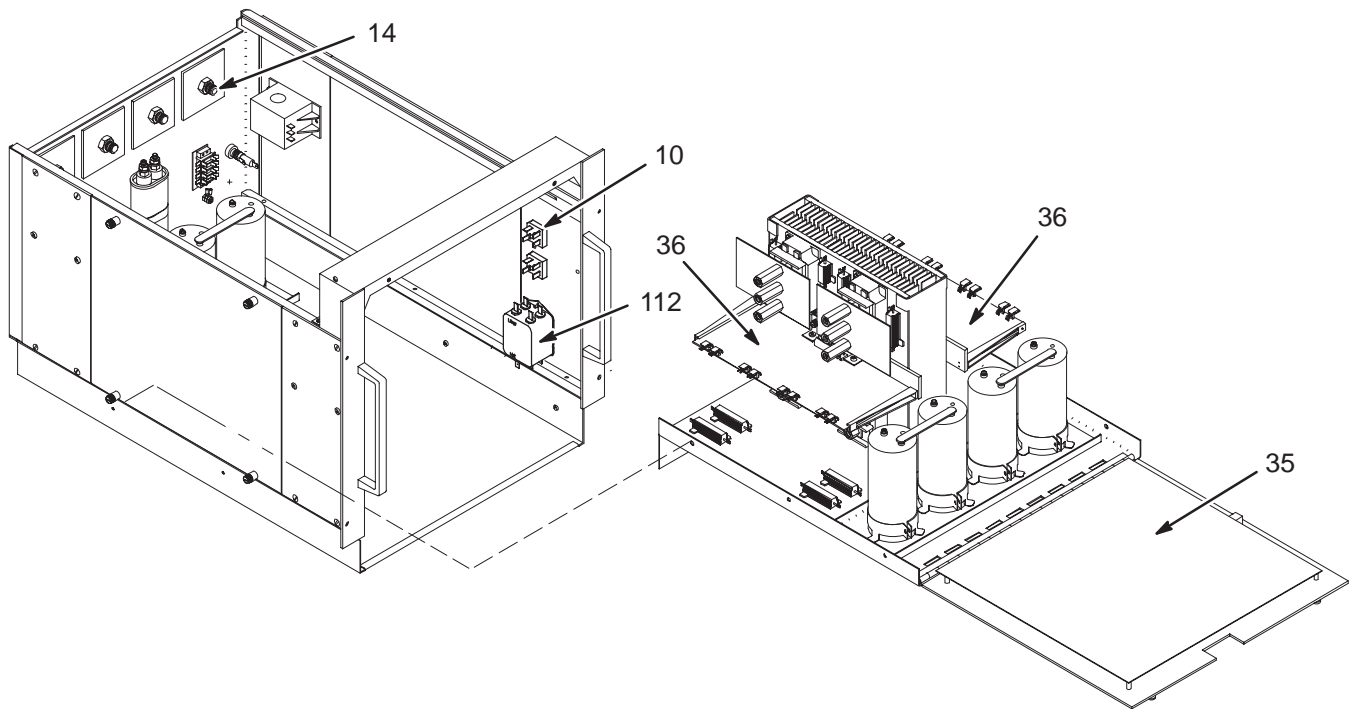
GRAM

46-320147G1



L320147A

VIEW 1



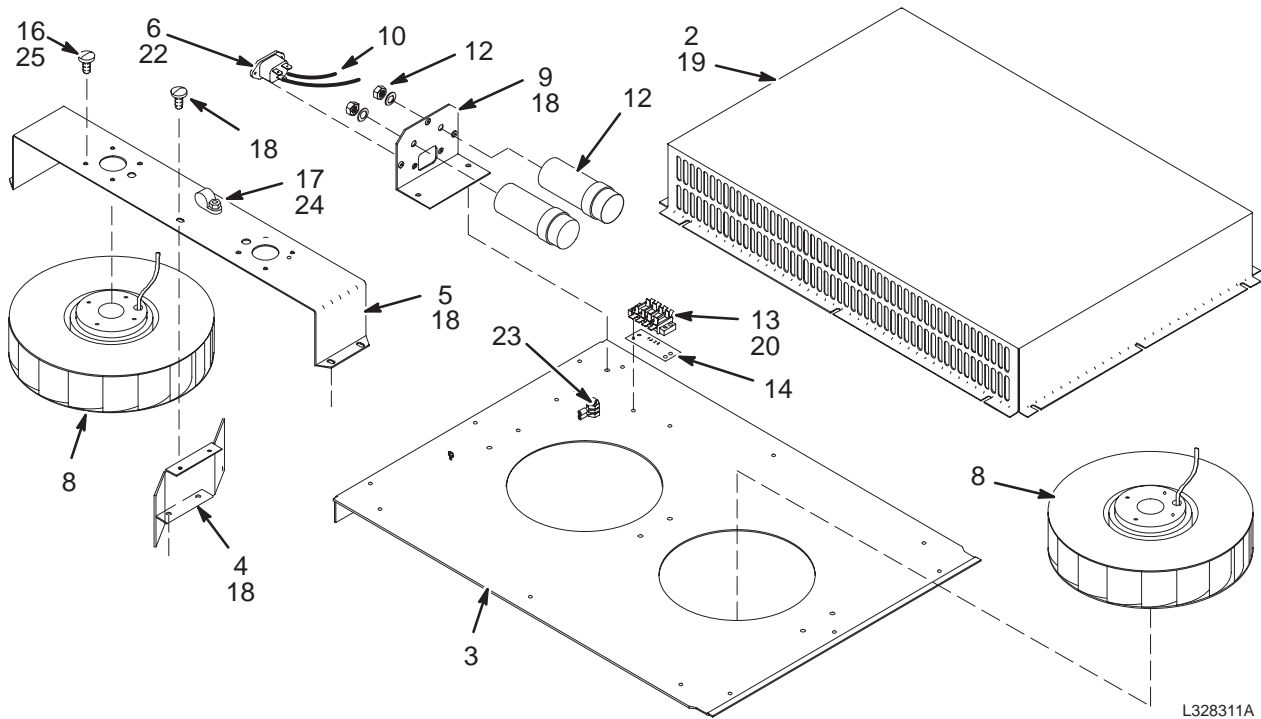
VIEW 2

GRAM 46-320147G1 FRU N (PART OF 2108050 PAGE 12-4)

Item	Part Number	FRU	Name	Quantity	Description (Remarks)
8	2120062	1	CIRCUIT BOAR	1	DIGITAL TUNING BOARD
9	2103294	1	CIRCUIT BD	1	GRAM ASM BOARD, MR7-A1(A2,A3)-A4
10	46-302362P2	2	SEMICONDUCTO	2	800 PIV, 30 A, 1.122" SQUARE PKG,
11	46-208697P61	2	BUSHING	1	HEYCO PART NO.1260 SR-8P-2 BLACK
14	46-320527P1	2	BRASS NUT	4	3/4" HEX 1/2-13 SPRIALOCK THREAD
35	46-288948G1	1	CIRCUIT BD	1	GRAM POWER SUPPLY BD.
36	46-288946G1	1	CIRCUIT BD	2	IGBT GATE DRIVER BD.
52	46-170365P1	2	MECHANICAL/M	AR	PENETROX A 8 OZ FOR ALUMINUM SEALING
56	46-288952G1	1	CIRCUIT BD	1	GRAM CONTROL BOARD
59	46-208908P46	2	SCREW	4	10-32 X 1/2" SLOT FLAT-HD F70B5A
62	2113550	N	INDUCTOR	1	INDUCTOR FOR GRAM
70	46-208599P4	2	WASHER	28	#10 SCREW SIZE, EXTERNAL TOOTH
72	46-220181P5	2	WASHER	44	#10 (0.190) SCREW, ZINC PLATED STEEL
73	2177260	2	LABEL	2	SGD DANGER LABEL
74	46-170212P2	2	MECHANICAL/M	AR	THERMAL JOINT COMPOUND, 8-OZ JAR
75	46-170686P1	2	ADHESIVE	AR	LOCTITE 242, 0.5CC TUBE
76	46-170015P6	2	SCREW	71	10-32 X 1/2 LG BIND HD STL EXT TOOTH
77	46-208560P41	2	SCREW	4	8-32 X 1/4" LG BIND HD, STL F70B5A
78	46-170015P10	2	SCREW	42	6-32 X 1/4" LG BIND HD STL EXT TOOTH
79	46-170015P16	2	SCREW	46	10-32 X 3/8 LG BIND HD STL EXT TOOTH
80	46-208758P3	2	TY-RAP	2	7.31" X .184" SELF-LOCKING CABLE TIE
81	12-496	2	WASHER	4	3/8" OD, #8 BODY HOLE, 0.031" THICK
82	46-170015P27	2	SCREW	18	6-32 X 1/2" LG BIND HD STL EXT TOOTH
83	46-170012P36	2	NUT	47	6-32 HEX 5/16 NUT THK 7/64, KEPS
84	46-170015P34	2	SCREW	84	4-40 X 3/8 LG BIND HD STL EXT TOOTH
85	46-170012P39	2	NUT	18	10-32, 3/8" HEX KEPS NUT, 1/8" THICK
86	46-170012P38	2	NUT	8	8-32 KEPS, HEX 5/16 NUT THK 7/64
87	1000904P425	2	WASHER	67	0.2 ID, 0.5 OD, 04 THK, B11H89C
88	46-208560P34	2	SCREW	44	10-32 X 5/8" LG BIND HD, STL F70B5A
89	46-208601P5	2	WASHER	16	#10 SCREW SIZE, INTERNAL TOOTH
93	46-244890P146	2	RIBBON CABLE	1	20 TO 20 PIN SOCKET, 1.5" LONG
94	46-244890P147	2	RIBBON CABLE	1	26 TO 26 PIN SOCKET, 1.5" LONG
95	46-244890P148	2	RIBBON CABLE	1	34 TO 34 PIN SOCKET, 1.5" LONG
107	2109429	2	POWER CORD	1	GRAM 3-PHASE POWER, 5-#16 WIRE, 3-FT
112	46-311476P1	2	LINE FILTER	1	FILTER, POWER LINE
113	46-170024P21	2	SCREW	2	SHLD DIA 0.2495 X SHLD LG 0.3755 THD
114	46-208718P6	2	CLAMP	1	.5625 ID LOOP TYPE TA MFG CO TA713D9
116	12-297	2	WASHER	26	ID 0.140 OD 0.312 THK .032 STL
117	46-220191P3	2	CLAMP	8	PANDUIT FCM2-A-C14 GRAY, FLAT CABLE
118	46-170015P24	2	SCREW	8	8-32 X 3/4" LG BIND HD STL EXT TOOTH
119	46-170015P37	2	SCREW	16	6-32 X 5/8" LG BIND HD STL EXT TOOTH
120	46-208750P1	2	VIBRATION IS	1	TIE ANCHOR PANDUIT TA158-M
121	46-208761P1	2	TY-RAP	50	NATURAL NYLON, LOCKING CABLE TIE.
122	46-136323P32	2	TUBING	1.700	BLACK EXPANDED ID .125
123	46-208747P1	2	VIBRATION IS	8	CABLE TIE,ADH.BACKED
124	46-170015P17	2	SCREW	11	10-32 X 1/4 LG BIND HD STL EXT TOOTH
125	46-221417P1	2	CONNECTOR	2	FEMALE SCREWLOCKS, TWO PER KIT
130	2139941	2	RIBBON CABLE	1	20 CONDUCTOR RIBBON CABLE
131	46-208761P1	2	TY-RAP	4	NATURAL NYLON, LOCKING CABLE TIE.

FAN MODULE

46-328311G1



FAN MODULE

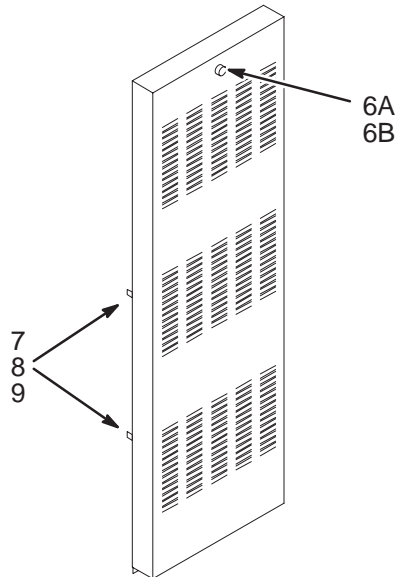
46-328311G1 FRU N

(PART OF 2108050 PAGE 12-4)

Item	Part Number	FRU	Name	Quantity	Description (Remarks)
2	46-320211P1	2	BLOWER CAGE	1	IMPELLER AIR EXHAUST PLENUM
3	46-320216P1	2	FAN PLATE	1	IMPELLER INLET BASE PLATE
4	46-320649P1	2	BRACE	1	AIR DEFLECTOR BARRIER BRACKET
5	46-320648P1	2	BRACKET	1	IMPELLER MOUNTING BRIDGE
6	2111377	2	CONNECTOR	1	PANEL MOUNTED MALE AC RECEPTACLE
8	46-306703G1	1	IMPELLER ASM	2	IMPELLER FAN WITH TERMINALS ATTACHED
9	46-320298P1	2	BRACKET	1	CAPACITOR MOUNTING ANGLE BRACKET
10	2112992	2	WIRES	1	SET OF 4 WIRES FOR FAN MODULE
12	46-306702G1	2	CAP ASM	2	CAPACITOR WITH TERMINALS ATTACHED
13	46-221880P9	2	TERM. STRIP	1	4 TERMINALS 20 AMP, 3/8" CENTERS
14	514A350P307	2	MARKER STR	1	04 POSITION MARKER STRIP
16	46-208924P22	2	SCREW,MACH	8	M4 X 0.7 X 6 DIN 84 STL
17	46-208713P5	2	CLAMP	2	CABLE OD 3/8", RICHCO NO. E-6
18	46-170015P8	2	SCR,SEMS	9	8-32 X 1/4" LG BIND HD STL EXT TOOTH
19	46-170015P10	2	SCR,SEMS	15	6-32 X 1/4" LG BIND HD STL EXT TOOTH
20	46-170015P27	2	SCR,SEMS	2	6-32 X 1/2" LG BIND HD STL EXT TOOTH
22	46-170015P41	2	SCR,SEMS	2	4-40 X 1/4" LG BIND HD STL EXT TOOTH
23	46-170012P39	2	NUT,LOCK	2	10-32, 3/8" HEX KEPS NUT, 1/8" THICK
24	46-170015P14	2	SCR,SEMS	2	8-32 X 3/8 LG BIND HD STL EXT TOOTH
25	46-170686P1	2	SEALANT	AR	LOCTITE 242, 0.5CC TUBE

GRAM CABINET COVER ASM

2109575



GRAM CABINET COVER ASM 2109575 FRU 2 (PART OF 2108050 PAGE 12-4)

Item	Part Number	FRU	Name	Quantity	Description (Remarks)
6A	46-301852P1	2	LATCH	1	LATCH ASM FOR SLAM-LATCH COVERS
6B	46-301852P2	2	LATCH	ALT	LATCH
7	46-306566P1	2	BUMPER	4	FRONT COVER BUMPER, BLACK RUBBER
8	46-208560P13	2	SCREW	4	4-40 X 1/2 LG BIND HEAD, STEEL
9	46-170012P34	2	NUT	4	4-40, 1/4" HEX, 3/32 THICK KEPS NUT

AMCO GRAM CABINET 2108234 FRU N (PART OF 2108050 PAGE 12-4)

Item	Part Number	FRU	Name	Quantity	Description (Remarks)
	2108243-4	2	PANEL	2	AMCO S25313-16 SIDE PANEL, MIST
	2108243-6	2	CASTER	4	AMCO S2219-12 CASTER (400LB LOAD)
	2108243-7	2	LEGS	2	AMCO ATLE-30-1 ANTI-TIP LEGS
	2108243-10	2	DOOR	1	AMCO DFH61-19R-L REAR DOOR WITH LOCK