

TABLE OF CONTENTS

| | |
|---|---|
| TABLE OF CONTENTS | 1 |
| 1- GRADIENT INTERCONNECTS | 2 |
| 2- SGD HI SLEW CABINET COMPONENT LOCATIONS..... | 2 |
| 3- SGD BASE CABINET COMPONENT LOCATIONS..... | 3 |
| REVISION HISTORY..... | 4 |

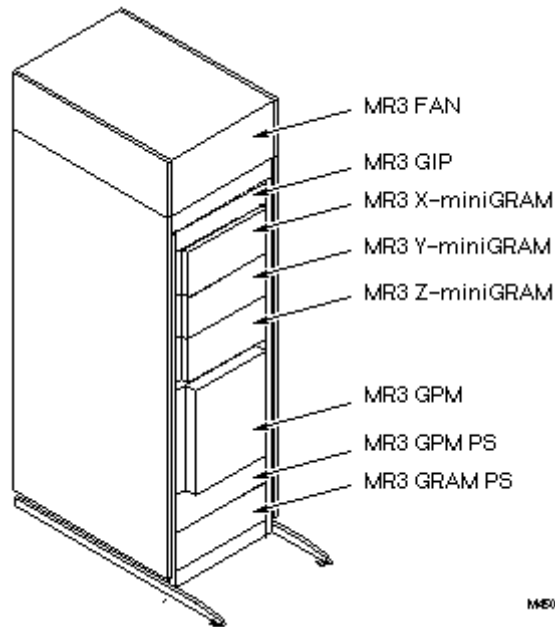
GRADIENT DRIVER COMPONENT LOCATION/CONNECTION - SGD

1- GRADIENT INTERCONNECTS

This document is for Signa Horizon Systems with SGD hardware.

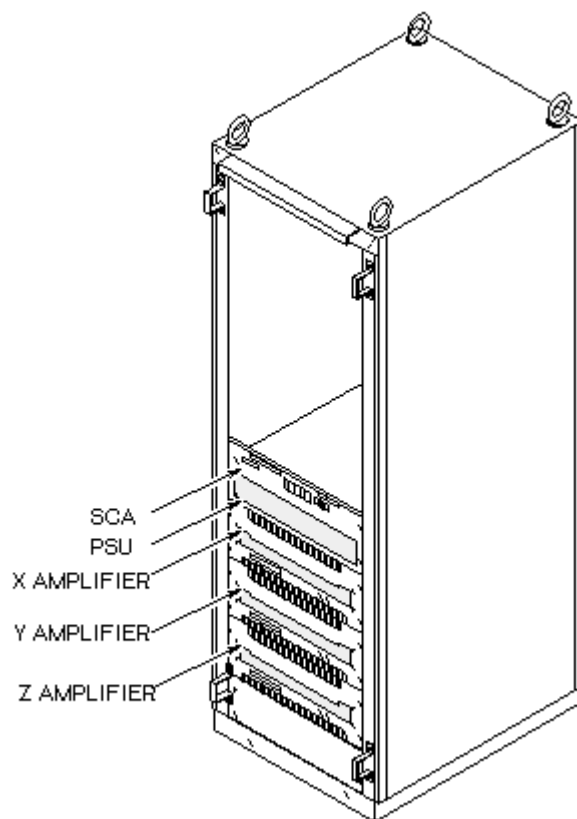
For connections to/from the Gradient Cabinet, you can refer to the System Interconnect Map (provided with your system installation manual).

2- SGD HI SLEW CABINET COMPONENT LOCATIONS



HI SLEW CABINET COMPONENTS
ILLUSTRATION 2-1

3- SGD BASE CABINET COMPONENT LOCATIONS



SGD BASE CABINET COMPONENTS
ILLUSTRATION 3-1

REVISION HISTORY

| REV | DATE | AUTHOR | PRIMARY REASONS FOR CHANGE |
|-----|-------------|----------|---|
| 0 | Oct 6, 1997 | J. Wolak | Initial version released for SGD production |
| | | | |
| | | | |
| | | | |
| | | | |